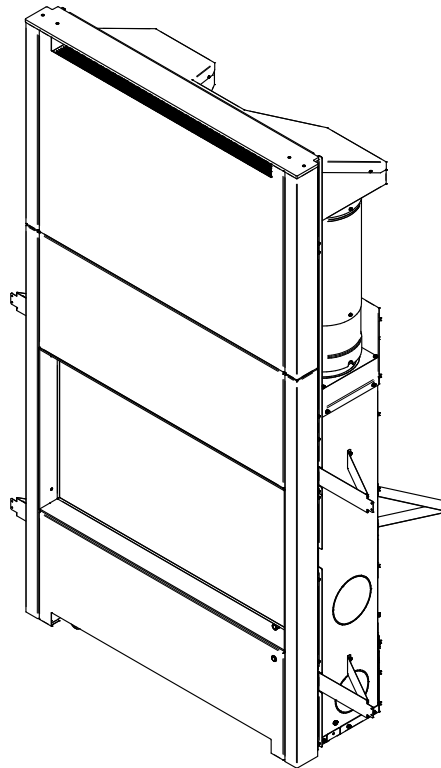


Valcourt

MANUAL INSTALLATION AND OPERATION

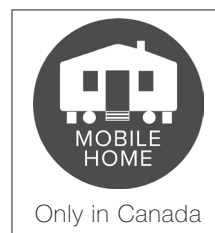
ST-LOUIS

(FP19 model)



ENGLISH

US Environmental Protection Agency phase II certified wood fireplace compliant with 2020 cord wood standard



Safety tested according to ULC S610, and UL 127 standards by an accredited laboratory.

CONTACT LOCAL BUILDING OR FIRE OFFICIALS ABOUT RESTRICTIONS AND INSTALLATION INSPECTION REQUIREMENTS IN LOCAL AREA.

READ THIS ENTIRE MANUAL BEFORE INSTALLATION AND USE OF THIS WOOD STOVE. FAILURE TO FOLLOW THESE INSTRUCTIONS COULD RESULT IN PROPERTY DAMAGE, BODILY INJURY OR EVEN DEATH.

READ AND KEEP THIS MANUAL FOR REFERENCE

Dealer: _____

Installer: _____

Phone Number: _____

Serial Number: _____

ONLINE WARRANTY REGISTRATION

If the unit requires repairs during the warranty period, proof of purchase must be provided. The purchase invoice must be kept. The date indicated on it establishes the warranty period. If it can not be provided, the warranty period will be determined by the date of manufacture of the product. It is also highly recommended to register the warranty online at

<https://www.valcourtinc.com/en/warranty/warranty-registration/>

Registering the warranty will help to quickly find the information needed on the unit.



THANK YOU FOR CHOOSING THIS WOOD FIREPLACE

If this fireplace is not installed properly, combustible materials near it may overheat and catch fire.

To reduce the risk of fire, follow the installation instructions in this manual.

As one of North America's largest and most respected wood stove and fireplace manufacturers, Stove Builder International takes pride in the quality and performance of all its products.

The following pages provide general advice on wood heating, detailed instructions for safe and effective installation, and guidance on how to get the best performance from this fireplace.

It is highly recommended that this wood burning hearth product be installed and serviced by professionals who are certified by a «Qualified Agency» such as NFI (National Fireplace Institute®) or CSIA (Chimney Safety Institute of America) in the United States and in Canada by WETT (Wood Energy Technology Transfer) or in Quebec by APC (Association des Professionnels du Chauffage).

Contact local building or fire officials about restrictions and installation inspection requirements in your local area.

A building permit might be required for the installation of this fireplace and the chimney that it is connected to. It is also highly recommended to inform your home insurance company.

Please read this entire manual before installing and using this fireplace.

A primary alternative heat source should be available in the home. This heating unit may serve as a supplementary heat source. The manufacturer cannot be responsible for additional heating costs associated with the use of an alternative heat source.

TABLE OF CONTENTS

PART A - OPERATION AND MAINTENANCE	7
1. Safety Information and Standards	7
1.1 Safety.....	7
1.2 Standards.....	9
2. General Information	10
2.1 Performances.....	10
2.2 Specifications.....	11
2.3 Dimensions	12
2.4 Materials.....	15
2.5 Zone Heating.....	15
2.6 Emissions and Efficiency	16
3. Fuel	17
3.1 Tree Species	17
3.2 Log Length	18
3.3 Piece Size.....	18
3.4 Compressed Wood Logs	18
3.5 Drying Time.....	19
4. Efficient Wood Combustion.....	20
4.1 First Use	20
4.2 Combustion Cycles.....	20
4.3 Removing Ashes.....	21
4.4 Air Intake Control	22
4.5 Fire Types	22
4.6 Loading Procedure.....	24
5. Maintenance.....	31
5.1 Cleaning and Painting	31
5.2 Refractory Material and Baffle.....	31
5.3 Glass Door	31
5.4 Door.....	35
5.5 Exhaust System.....	38
5.6 Sweeping the Chimney.....	39
5.7 Smoke Sensor Maintenance (SE76079)	40
5.8 Channel Maintenance.....	44
PART B - INSTALLATION.....	45
6. Fireplace Installation.....	45
6.1 Standoff installation.....	46
6.2 Carrying Handles	46
6.3 Clearances to combustibles	47
6.4 Framing construction.....	48
6.5 Hearth Extension Construction	51
6.6 VA19FL06 mandatory long faceplate option installation	55
6.7 Faceplate installation (mandatory option)	56
6.8 Facing	57
6.9 Mobile Home Installation.....	58

7. The Venting System	59
7.1 Location	59
7.2 Supply of Combustion Air	59
7.3 Chimney Installation	60
7.4 Angled Wall Pass-Thru Installation	67
7.5 Chimney Support Installation	68
7.6 Approved Chimneys.....	70
8. Product operation	72
8.1 First Connection to the Web application	72
8.2 How to Use the Web App	78
8.3 Blower operation (Bidirectional)	81
8.4 Button functionality	87
9. Installation of Options on Your Product.....	89
9.1 Optional Fresh Air Kit Intake Installation	89
9.2 Optional Forced Air Distribution Kit Installation (VA4460) (In Canada Only)	93
10. Replacement of Parts on Your Product.....	94
10.1 Refractory Panels Replacement.....	94
10.2 Secondary Air Tubes and Baffle Installation.....	96
10.3 Baffles Replacement	98
10.4 Blower Replacement (44075)	99
11. Troubleshooting	100
11.1 Power-outage.....	100
11.2 Bouncing motor/ticking noise	100
11.3 Door not latching	100
11.4 Smoke spillage through the door opening.....	100
11.5 Stepper motor closing very fast/Smoke level is high on the remote control.....	101
11.6 Blower won't start	101
11.7 Blower won't start even if door is closed (door switch)	101
12. Electrical Diagram.....	102
12.1 Thermostat Connection	103
13. Exploded Diagram and Part List	104
Valcourt Limited Lifetime Warranty	107

CERTIFICATION PLATE

ENGLISH



REFER TO INTERTEK'S DIRECTORY OF BUILDING PRODUCTS (https://bpdirectory.intertek.com) FOR DETAILED INFORMATION
 SE RÉFÉRER AU RÉPERTOIRE DES PRODUITS HOMOLOGUÉS D'INTERTEK (https://bpdirectory.intertek.com) POUR PLUS D'INFORMATION

STANDARDS / NORMES D'ESSAI:
 Certified to / Certifié selon ULC S610
 Certified to / Certifié selon UL 127
 Certified to / Certifié selon CSA B415.1-10
 Certified to / Certifié selon ASTM E2515-11 (R2017)

MODEL / MODÈLE:
ST-LOUIS

LISTED FACTORY BUILT FIREPLACE
 FOYER PRÉFABRIQUÉ HOMOLOGUÉ

FOR USE WITH WOOD ONLY
 POUR UTILISATION AVEC BOIS SEULEMENT
 CONTACT LOCAL BUILDING OFFICIALS ABOUT THE RESTRICTIONS AND INSTALLATION INSPECTION IN YOUR AREA.
 COMMUNIQUER AVEC LES AUTORITÉS LOCALES DU BÂTIMENT ET DE LA PRÉVENTION DES INCENDIES AU SUJET DES RESTRICTIONS D'INSTALLATION DANS VOTRE SECTEUR.

Control Number (SA) : 4002461
 (December / Décembre 2024)

Serial Number
 No. de Série

INSTALL AND USE ONLY IN ACCORDANCE WITH SBI STOVE BUILDER INTERNATIONAL INSTALLATION AND OPERATION INSTRUCTIONS.
 L'INSTALLATION ET L'OPERATION DOIT SE FAIRE SELON LES INSTRUCTIONS D'INSTALLATION ET D'UTILISATION DE SBI FABRICANT DE POÊLES INTERNATIONAL.

PREVENT HOUSE FIRES

- Use solid fuel only.
- Combustion air openings shall not be obstructed.
- When doors are used, operate fireplace with doors fully open with fire screen or fully closed only. For safety, keep screen doors or glass doors tightly closed.
- Do not overfire unit.
- Replace with only ceramic glass 4mm thick.
- Use only with listed factory-built chimney as per manufacturer's instructions.
- A non-combustible hearth extension must be installed in front of unit extending 16 in (406 mm) in front and 8 in (203 mm) on each side of door opening.

• Do not use a fireplace insert or other products not specified for use with this product.

Areas of the fireplace incorporating warm or cold air ducts shall be enclosed in accordance with manufacturer's instructions.

WARNING: This fireplace has not been tested with an unvented gas log set. To reduce risk of fire or injury, do not install an unvented gas log set into fireplace.

This wood heater needs periodic inspection and repair for proper operation. Consult the owner's manual for further information. It is against US federal regulations to operate this wood heater in a manner inconsistent with the operating instructions in the owner's manual.

Suitable for transportable building installation in CANADA only.

PRÉVENEZ LES INCENDIES

- Utiliser uniquement du bois de chauffage.
- Les entrées d'air servant à la combustion ne doivent pas être obstruées.
- Quand des portes sont utilisées, opérer le foyer avec les portes complètement ouvertes avec pare-étincelles ou complètement fermées seulement. Pour votre sécurité, maintenir les portes de grillages ou de vitres fermées de façon étanche.
- Ne pas surchauffer le foyer.
- Remplacer la vitre seulement avec un verre céramique de 4mm d'épaisseur.
- Pour utilisation seulement avec une cheminée préfabriquée homologuée tel que spécifié selon les instructions du manufacturier.
- Une protection de plancher incombustible doit être installée à l'avant du foyer excédant de 16 po (406 mm) à l'avant et 8 po (203 mm) de chaque côté de l'ouverture de porte.

• Ne pas utiliser de foyer encastré ou autres produits qui ne sont pas conçus précisément pour être utilisés avec le présent foyer. Les zones du foyer intégrant des conduits d'air chaud ou froid doivent être installées en accord avec les instructions du manufacturier.

ATTENTION: Ce foyer n'a pas été mis à l'essai avec un ensemble de bûches décoratives à gaz non ventilé. Pour réduire les risques de feu ou de blessures, ne pas installer d'ensemble de bûches décoratives à gaz non ventilé dans ce foyer.

Cet appareil requiert des inspections et réparations périodiques. Consulter le manuel de l'utilisateur pour plus d'information. Opérer cet appareil de chauffage de façon inconsistente par rapport au manuel de l'utilisateur consiste une violation de la loi fédérale (USA).

Convient aux bâtiments transportables au CANADA seulement.

**MINIMUM CLEARANCES TO COMBUSTIBLE MATERIALS /
 DÉGAGEMENTS MINIMUM AUX MATÉRIEAUX COMBUSTIBLES**

Side wall / Mur latéral [1] :	15 1/2 in (394 mm)	Side facing / Parement latéral [2] :	8 in (203 mm)
Shelf (from floor) / Tablette (du sol) [2][3][4] :	57 in (1448 mm)	Ceiling (from floor) / Plafond (à partir du plancher) [3] :	96 in. (2438 mm)

- [1] From outside of the door. / À partir du côté extérieur de la porte.
 [2] Subject to a maximum protrusion (consult owner's manual). / Sujet à une saillie maximale (consultez le manuel d'instructions).
 [3] If the fireplace is elevated, the clearances to the combustible shelf and ceiling must be increased by an equivalent value. / Si le foyer est surélevé, les dégagements à la tablette combustible et au plafond doivent être augmentés d'une valeur équivalente.
 [4] Consult owner's manual for material to be used. / Consulter le manuel d'installation pour le matériel à utiliser.

Forced air kit / Ensemble d'Air forcé: (115V, 2.4A, 60Hz) # 44121 - Blower / Ventilateur: (115V, 1.4A, 60Hz) # 44207

PROCEDURE TO FOLLOW IN CASE OF RUN-AWAY FIRE
 1) Keep doors closed
 2) Close all combustion air controls

EN CAS D'INCENDIE DE CHEMINÉE
 1) Maintenir les portes fermées
 2) Fermer tous les dispositifs d'admission d'air

U.S. ENVIRONMENTAL PROTECTION AGENCY Certified to comply with 2020 particulate emission standards using cord wood.
 AGENCE DE PROTECTION DE L'ENVIRONNEMENT DES É.U. (EPA). Conforme aux normes d'émission de particules de 2020 avec bûche de bois.
 Weighted average emission rate / Moyenne pondérée des émissions: 1.8 g/h

Tested and certified in compliance with CFR 40 part 60, subpart AAA, section 60.534(a)(1)(I).

WARNING: This product can expose you to carbon monoxide, which is known to the State of California to cause cancer, birth defects or other reproductive harm.
 (For more information go to www.p65warnings.ca.gov)

CAUTION

- HOT WHILE IN OPERATION.
- DO NOT TOUCH. KEEP CHILDREN, CLOTHING AND FURNITURE AWAY.
- CONTACT MAY CAUSE SKIN BURNS. SEE NAME-PLATE AND INSTRUCTIONS.
- THIS FIREPLACE NEEDS AIR FOR GOOD OPERATION.
- WHEN A FIRE IS BURNING IN THE FIREPLACE, FRESH AIR MUST BE SUPPLIED TO THE ROOM WHERE THE FIREPLACE IS LOCATED, FAILURE TO PROVIDE THIS MAY STARVE OTHER FUEL BURNING APPLIANCE FROM AN ADEQUATE AIR SUPPLY.



ATTENTION

- CHAUD EN FONCTIONNEMENT.
- NE PAS TOUCHER. GARDER LES ENFANTS, LES VÊTEMENTS ET LES MEUBLES ÉLOIGNÉS.
- UN CONTACT AVEC LA PEAU PEUT OCCASIONNER DES BRÛLURES. VOIR LES INSTRUCTIONS.
- CE FOYER A BESOIN D'AIR POUR SON BON FONCTIONNEMENT.
- LORSQUE LE FOYER BRÛLE, UN APPORT D'AIR SUPPLÉMENTAIRE DOIT ÊTRE PRÉVU DANS LA PIÈCE, UN MANQUE D'AIR D'APPOINT POURRAIT PRIVER LES AUTRES APPAREILS DE COMBUSTION D'UNE ALIMENTATION D'AIR ADÉQUATE.

St-Augustin-de-Desmaures, (Qc), Canada
 05/05/2026 (# Test)



St-Augustin-de-Desmaures, (Qc), Canada
 05/05/2026 (# Test)
 27989

PART A - OPERATION AND MAINTENANCE

1. Safety Information and Standards

1.1 Safety

- **WARNING : OPERATE ONLY WITH THE DOOR FULLY CLOSED OR FULLY OPEN. IF THE DOOR IS LEFT PARTLY OPEN, GAS AND FLAME MAY BE DRAWN OUT OF THE OPENING, CREATING RISKS FROM BOTH FIRE AND SMOKE. DO NOT LEAVE THE FIREPLACE UNATTENDED WHEN THE DOOR IS OPENED.**
- **HOT WHILE IN OPERATION. KEEP CHILDREN, CLOTHING AND FURNITURE AWAY. CONTACT MAY CAUSE SKIN BURNS. GLOVES MAY BE NEEDED FOR THE FIREPLACE OPERATION.**
- Using a fireplace with cracked or broken components, such as glass, firebricks or baffle may produce an unsafe condition and may damage the fireplace.
- **NEVER USE GASOLINE, LANTERN FUEL (NAPHTHA), FUEL OIL, MOTOR OIL, KEROSENE, CHARCOAL LIGHTER FLUID, OR SIMILAR LIQUIDS OR AEROSOLS TO START A FIRE IN THIS FIREPLACE. KEEP ALL SUCH LIQUIDS OR AEROSOLS WELL AWAY FROM THE FIREPLACE WHILE IT IS IN USE.**
- Do not store fuel within heater minimum installation clearances.
- Burn only seasoned natural firewood.
- This wood heater needs periodic inspection and repairs for the proper operation. It is against federal regulations to operate this wood heater in a manner inconsistent with operating instructions in this manual.
- Do not obstruct air inlets. This fireplace needs air for its good operation.
- Do not block the hot air vents of the fireplace as this will cause the fireplace to overheat.
- A smoke detector, a carbon monoxide detector and a fire extinguisher should be installed in the house. Location of detectors should be chosen wisely to avoid false alarm when reloading the appliance. The location of the fire extinguisher should be known by all family members.
- Do not use makeshift materials or make any compromises when installing this fireplace.
- Mixing of appliance components from different sources or modifying components is prohibited and will void the warranty. Any modification of the fireplace that has not been approved in writing by the testing authority is prohibited and violates CSA B365 and NFPA 211 standards.
- The manufacturer grants no warranty, implied or stated, for the poor installation or lack of maintenance of this fireplace and assumes no responsibility for any consequential damages.
- Do not elevate the fire by means of grates, chenets, andirons or any other means.



WARNING This product can expose you to chemicals including carbon monoxide, which is known to the State of California to cause cancer, birth defects or other reproductive harm. For more information go to www.P65warnings.ca.gov/

- The fireplace and chimney must be in an enclosure up to the attic.

CAUTION: DO NOT ATTEMPT TO MODIFY OR ALTER THE CONSTRUCTION OF THE FIREPLACE OR ITS COMPONENTS. ANY MODIFICATION OR ALTERATION OF CONSTRUCTION MAY VOID THE WARRANTY, LISTINGS AND APPROVALS OF THIS SYSTEM. IN THAT CASE, STOVE BUILDER INTERNATIONAL (SBI) WILL NOT BE RESPONSIBLE FOR DAMAGES. INSTALL THE FIREPLACE ONLY AS DESCRIBED IN THESE INSTRUCTIONS.

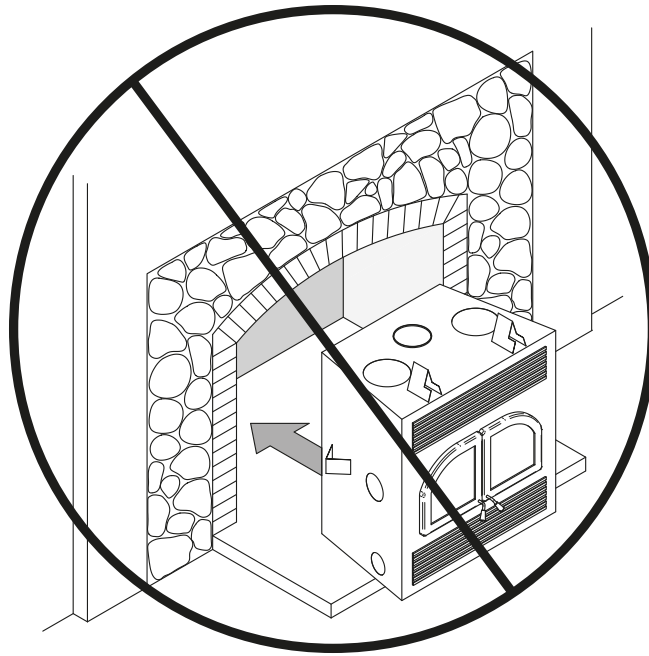
- Mixing of appliance components from different sources or modifying components is prohibited and will void the warranty. Any modification of the fireplace that has not been approved in writing by the testing authority is prohibited and violates CSA B365 (Canada) and NFPA 211 (USA) standards.
- The manufacturer grants no warranty, implied or stated, for the poor installation or lack of maintenance of the fireplace and assumes no responsibility for any consequential damages.
- This fireplace must always be used with the original andirons.
- Do not use a fireplace insert and other products not specified for use with this fireplace.
- Do not use materials other than those listed in the replacement parts section during installation as they may be safety hazards and a fire could result.
- Do not restrict air circulation around the unit. Air circulation around the unit is important. If air circulation is limited, this could increase heat on adjacent walls and ceiling.
- This fireplace has not been tested with an unvented or vented gas log set. To reduce risk of fire or injury, do not install an unvented or vented gas log set into this fireplace.
- The combustion air inlet ducts shall not terminate in attic space.
- This fireplace has not been tested for installation inside a masonry fireplace.

Over-Firing the fireplace

DO NOT OVERFIRE THIS FIREPLACE: Attempts to achieve firing rates that exceed the fireplace specifications can result in permanent damage to the heater.

This fireplace is designed to operate at a high temperature. However, all installations are different and due to differences in wood heating value, wood moisture content, chimney configuration, and flue draft, this appliance can reach excessive temperature in the worst conditions. If the top or door of the fireplace or other area starts to glow red, you are over-firing the fireplace. Set the fireplace to low combustion (see section 4.7.1 Air Control) to reduce the air intake and slow the combustion rate and use smaller logs to reduce the combustion time.

- This fireplace has not been tested for installation inside a masonry fireplace.



1.2 Standards

When installed and operated as described in these instructions, this wood fireplace is suitable for use in residential installations.

In Canada, the CSA B365 «Installation Code for Solid Fuel Burning Appliances and Equipment» and the CSA C22.1 «Canadian National Electrical Code» are to be followed in the absence of local code requirements.

In the USA, the ANSI NFPA 211 «Standard for Chimneys, Fireplaces, Vents and Solid Fuel-Burning Appliances» and the ANSI NFPA 70 «National Electrical Code» are to be followed in the absence of local code requirements.

This fireplace is not approved for use with a so-called “positive flue connection” to the clay tile of a masonry chimney.

2. General Information

2.1 Performances

The values below are from particulate emissions test results, except for the following values: the recommended heating area, the firebox volume, the maximum burn time and the maximum heat output.

Model	St-Louis (FP19)
Fuel Type	Dry Cordwood
Combustion Technology	Non-catalytic
Recommended heating area (sq. ft.) ¹	1000 to 2,400 ft ² (92 to 223 m ²)
Overall firebox volume	3.15 ft ³ (0.089 m ³)
Usable Firebox Volume (EPA)	1.9 ft ³ (0.054 m ³)
Maximum burn time	7h (with a 0.06"-0.08" CE draft)
Maximum heat output (dry cordwood) ²	100,000 BTU/h (30 kW)
Overall heat output rate (min. to max.) ^{2 3}	29,457 BTU/h to 93,725 BTU/h (8.63kW to 27.47kW)
Average overall efficiency ³ (Dry cordwood)	76% (HHV) ⁴
Optimum efficiency ⁵	78% (LHV)
Optimum heat transfer efficiency ⁶	80 % (HHV)
Average particulate emissions rate ⁷	1.8 g/h (EPA / CSA B415.1-10) ⁸
Average CO ⁹	1.3 g/min

¹ Recommended heating area and maximum burn time may vary subject to location in home, chimney draft, heat loss factors, climate, fuel type and other variables. The recommended heated area for a given appliance is defined by the manufacturer as its capacity to maintain a minimum acceptable temperature in the designated area in case of a power failure.

² The maximum heat output (dry cordwood) is based on a loading density varying between 15 lb/ft³ and 20 lb/ft³. Other performances are based on a fuel load prescribed by the standard. The specified loading density varies between 7 lb/ft³ and 12 lb/ft³. The moisture content is between 19% and 25%.

³ As measured per CSA B415.1-10.

⁴ Higher Heating Value of the fuel.

⁵ Optimum overall efficiency at a specific burn rate (LHV).

⁶ The optimum heat transfer efficiency is for the low burn rate and represents the appliance's ability to convert the energy contained in the wood logs into energy transferred to the room in the form of heat and does not take into account the chemical losses during combustion.

⁷ This appliance is officially tested and certified by an independent agency.

⁸ Tested and certified in compliance with CFR 40 part 60, subpart AAA, section 60.534(a)(1)(ii).

⁹ Carbon monoxide.

2.2 Specifications

Recommended log length	16 in (406 mm) east-west
Maximum log length ¹⁰	18 in (457 mm) east-west
Log length for testing purpose	18.4 ± 0.5 in (467 ± 12.7 mm)
Flue outlet diameter	8 in (203 mm)
Recommended pipe diameter	8 in (203 mm)
Type of chimney	ULC-S629, UL 103 HT (2100 °F)
Baffle material	C-Cast or equivalent
Approved for alcove installation	No
Approved for mobile home installation ¹¹	Yes (Only in Canada)
Type of door	Simple, glass with steel frame
Type of glass	Ceramic glass
Blower	Included (up to 176 PCM)
Particulate emission standard ¹²	EPA / CSA B415.1-10
USA standard (Safety)	UL 127
Canada standard (Safety)	ULC S610

¹⁰ North-south: ends of the logs visible, East-west: sides of the logs visible.

¹¹ Mobile homes (Canada) or manufactured homes (USA): The US Department of Housing and Urban Development describes “manufactured homes” better known as “mobile homes” as follows; buildings built on fixed wheels and those transported on temporary wheels/axles and set on a permanent foundation. In Canada, a mobile home is a dwelling for which the manufacture and assembly of each component is completed or substantially completed prior to being moved to a site for installation on a foundation and connection to service facilities and which conforms to the CAN/CSA-Z240 MH standard.

¹² Tested and certified in compliance with CFR 40 part 60, subpart AAA, section 60.534(a)(1)(ii).

2.3 Dimensions

ENGLISH

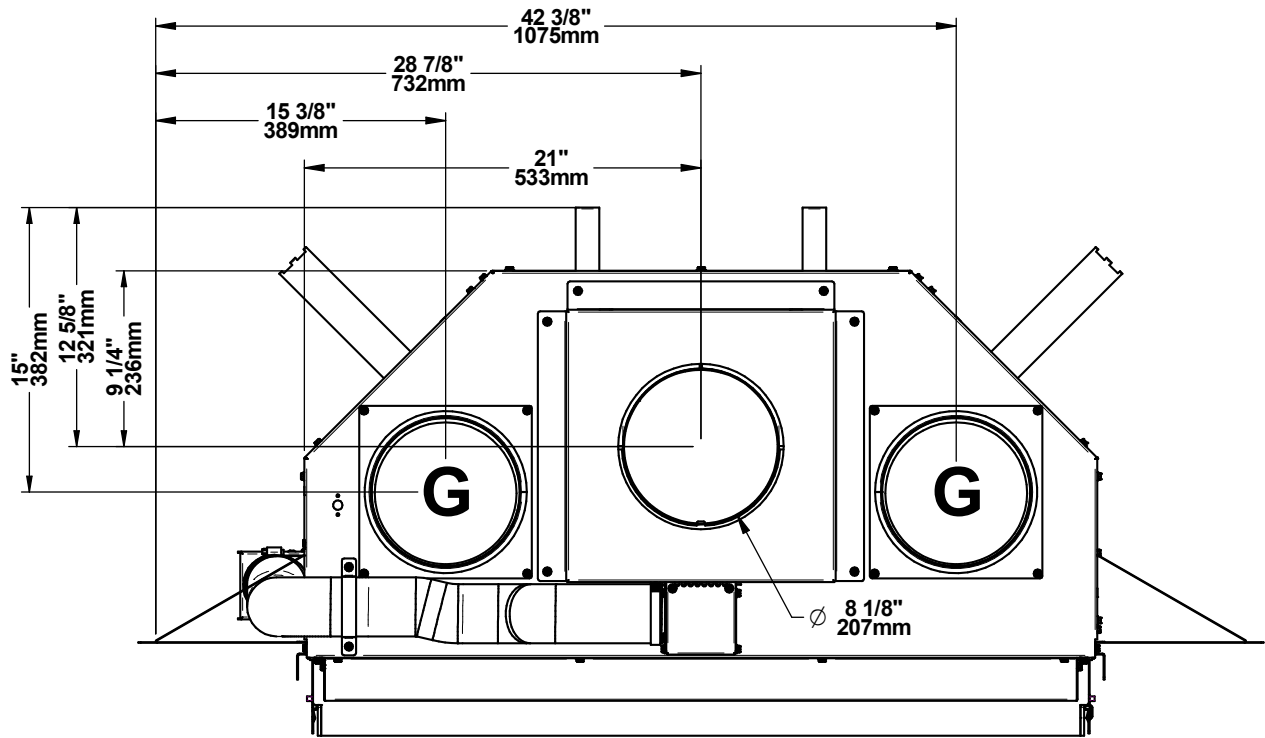


Figure 1: Top View

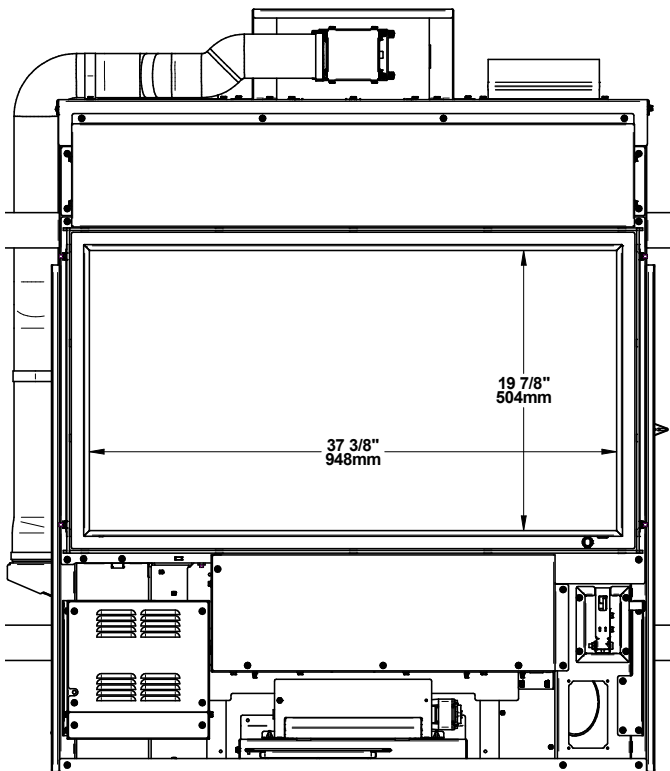


Figure 2: Front View

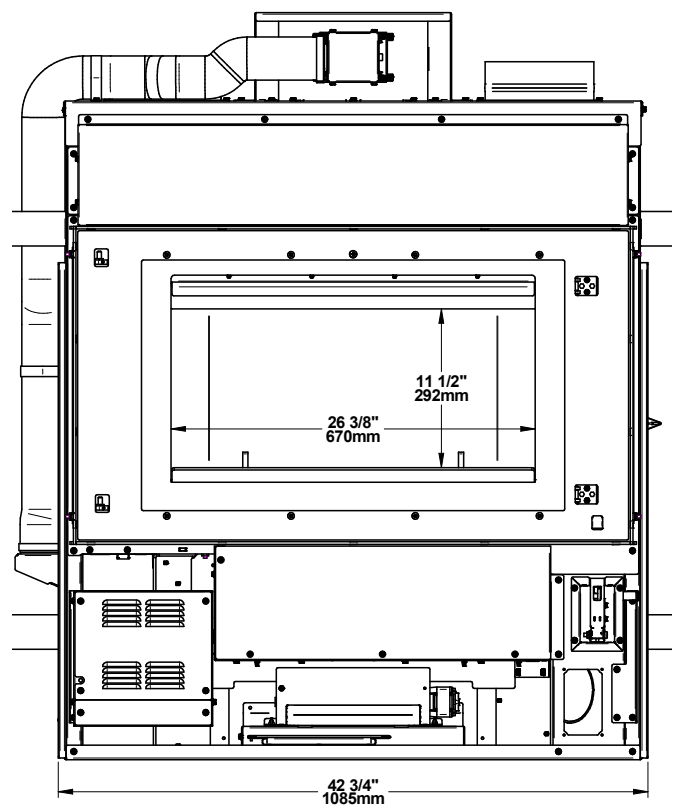


Figure 3: Front View - Door opening

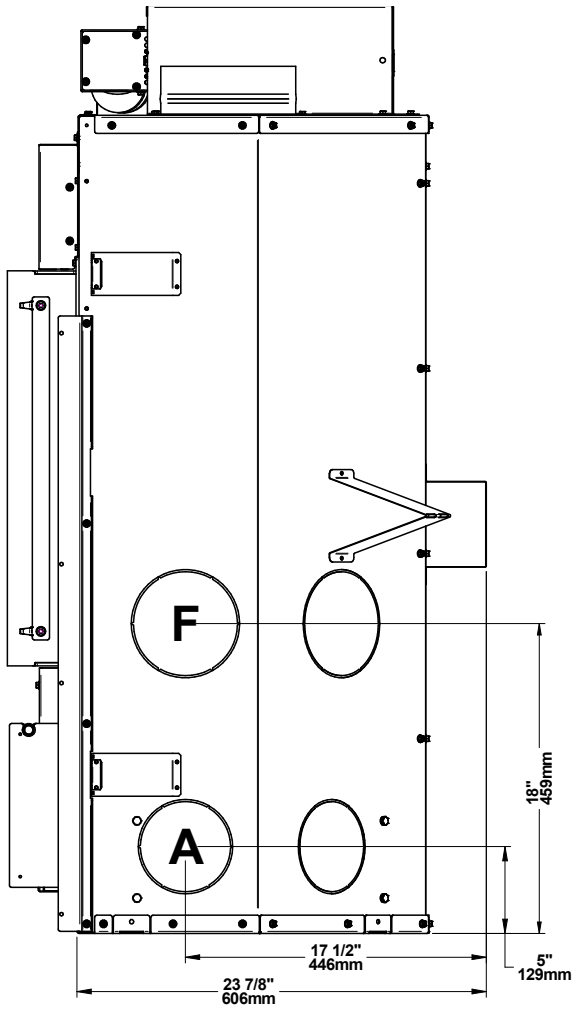


Figure 4: Side view

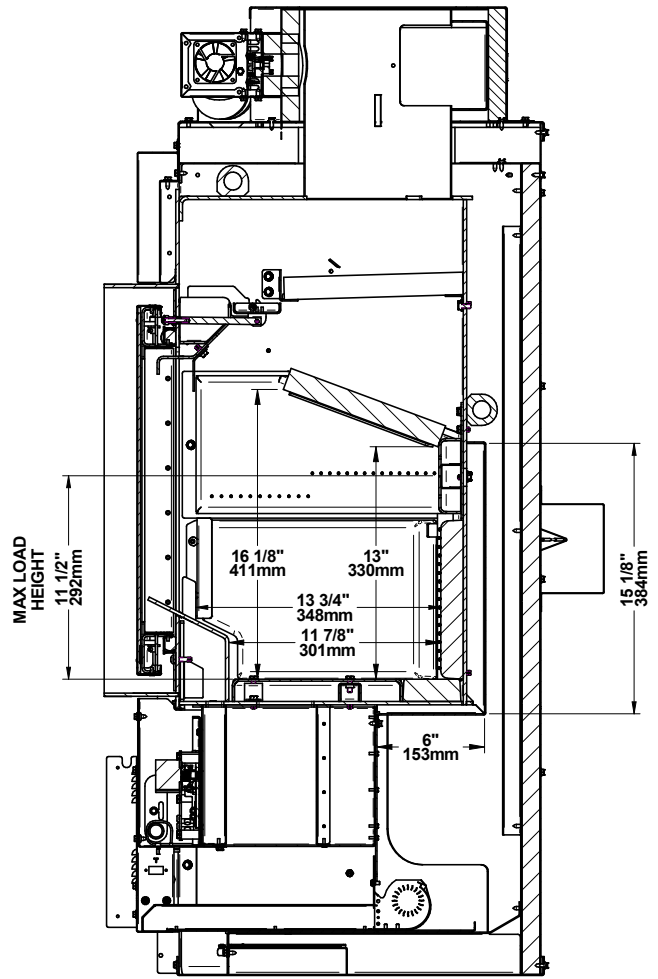


Figure 5: Combustion chamber - Side view

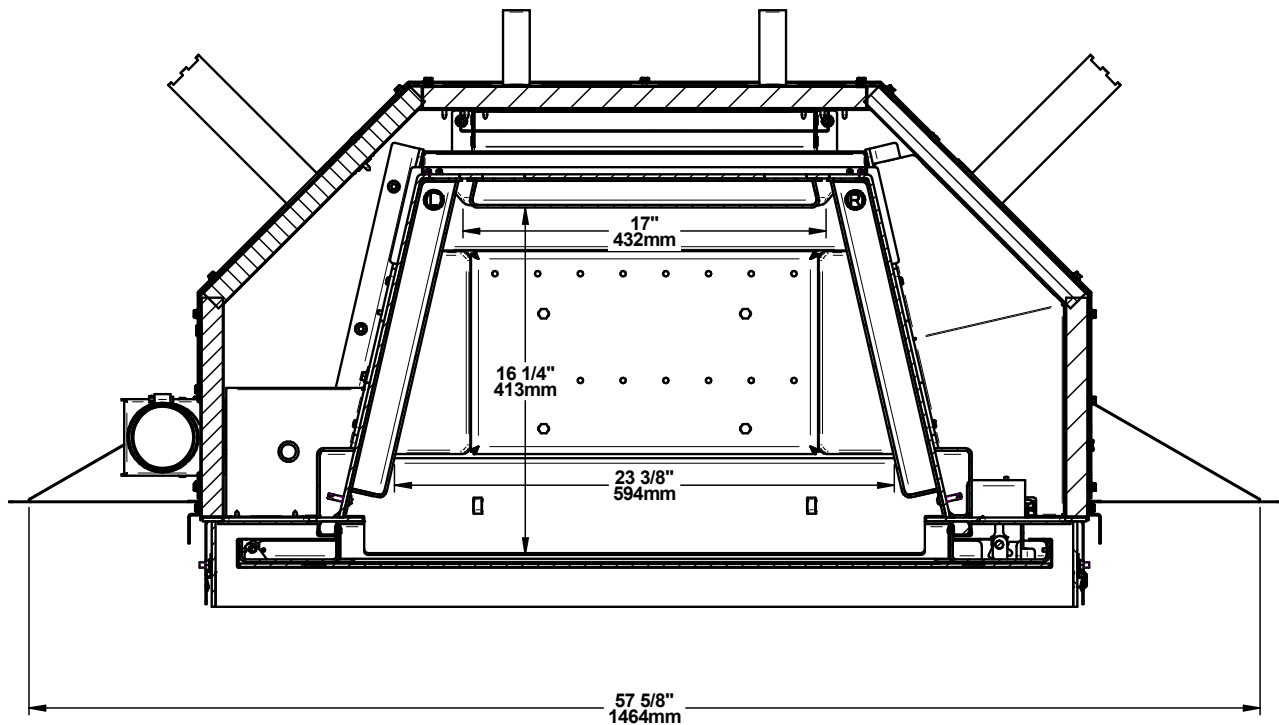
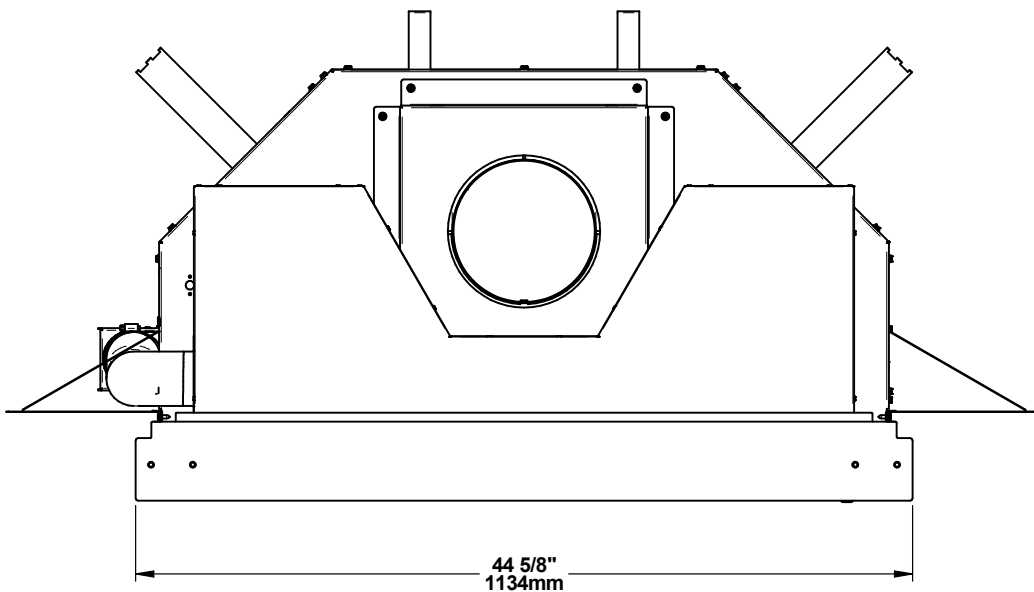
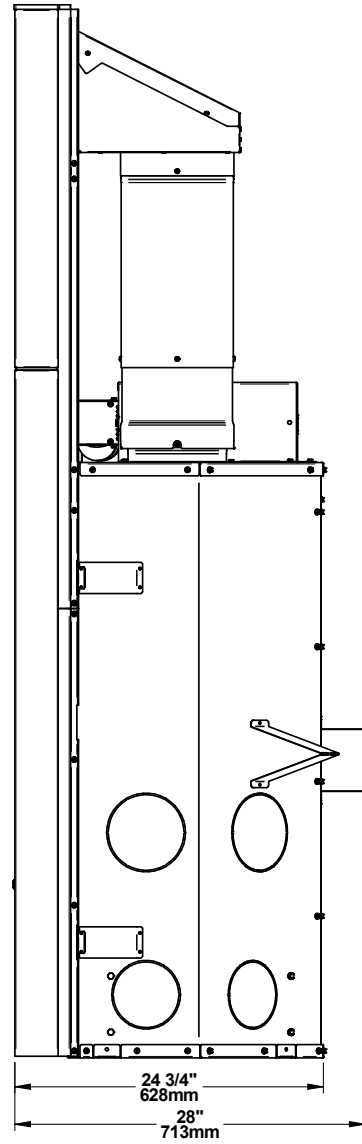
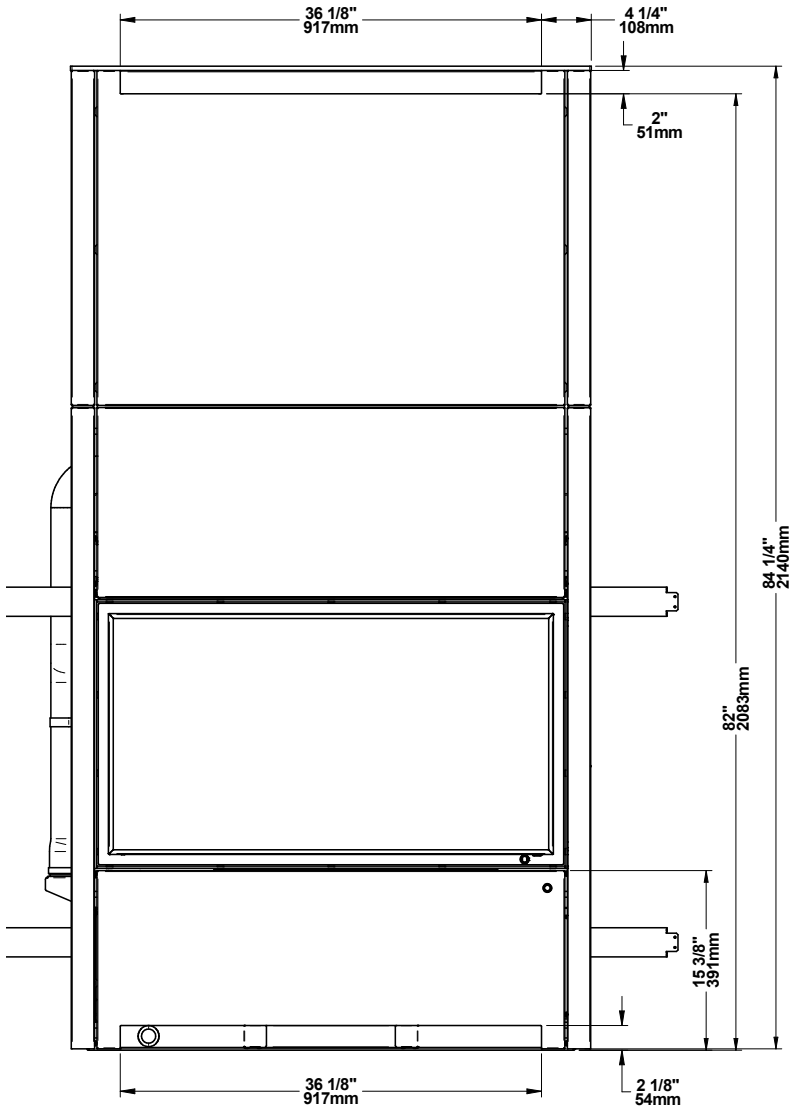


Figure 6: Combustion chamber - Top view



2.4 Materials

The **body** of this fireplace, which is most of its weight, is carbon steel. Should it ever become necessary many years in the future, almost the entire fireplace can be recycled into new products, thus eliminating the need to mine new materials.

The **paint** coating on the fireplace is very thin. Its VOC content (Volatile Organic Compounds) is very low. VOCs can be responsible for smog, so all the paint used during the manufacturing process meets the latest air quality requirements regarding VOC reduction or elimination.

The **air tubes** are stainless steel, which can also be recycled.

The **baffle** is made of C-Cast or Vermiculite that is compressed with a binder to form a rigid board. C-Cast can withstand temperatures above 2,000 °F. It is not considered hazardous waste. Disposal at a waste management center is recommended.

Moulded **refractory panels** are mainly composed of silicon dioxide, also known as silica, a product processed from a mined mineral. It is most commonly found in nature in the form of sand and clay. Disposal at a waste management center is recommended. The steel mesh contained in some refractory bricks can also be recycled.

The door and glass **gaskets** are fibreglass which is spun from melted sand. Black gaskets have been dipped into a solvent-free solution. Disposal at a waste management center is recommended.

The door **glass** is a 5/32" (4 mm) thick ceramic material that contains no toxic chemicals. It is made of natural raw materials such as sand and quartz that are combined in such a way to form a high temperature glass. Ceramic glass cannot be recycled in the same way as normal glass, so it should not be disposed of with regular household products. Disposal at a waste management center is recommended.

2.5 Zone Heating

This fireplace is a space heater, which means it is intended to heat the area it is installed in, as well as spaces that connect to that area, although to a lower temperature. This is called zone heating and it is an increasingly popular way to heat homes or spaces within homes. Zone heating can be used to supplement another heating system by heating a particular space within a home, such as a basement, a family room or an addition that lacks another heat source.

Houses of moderate size and relatively new construction can be heated with a properly sized and located wood fireplace. Whole house zone heating works best when the fireplace is in the part of the house where the family spends most of its time. This is normally the main living area where the kitchen, dining and living rooms are located.

Locating the fireplace in this area will give the maximum benefit of the heat it produces and will achieve the highest possible heating efficiency and comfort. The space where the most time is spent will be warmest, while bedrooms and basement (if there is one) will stay cooler. In this way, less wood is burnt than with other forms of heating.

The best location for the fireplace should consider the location of windows, doors, and circulation in the room. There must be enough space in front of the fireplace for the hearth extension and mantel and on the sides or back for the different heat distribution system, for the fresh air intake and for the chimney. Ideally, the chimney must be able to pass through the house without the need to cut floor joists or roof trusses.

Although the fireplace may be able to heat the main living areas of the house to an adequate temperature, you must also have a conventional oil, gas or electric heating system as your primary heating source.

The success of zone heating will depend on several factors, including the correct sizing and location of the fireplace, the size, layout and age of your home and your climate zone. Three-season vacation homes can usually be heated with smaller fireplaces than houses that are heated all winter.

2.6 Emissions and Efficiency

The low smoke emissions produced by the special features inside this fireplace firebox mean that the household will release up to 90% less smoke into the outside environment than if an older conventional fireplace was used. But there is more to the emission control technologies than protecting the environment.

The smoke released from wood when it is heated contains about half of the energy content of the fuel. By burning the wood completely, this fireplace releases all the heat energy from the wood instead of wasting it as smoke up the chimney. Also, the features inside the firebox allow control of the air supply meaning controlling the heat output, while maintaining clean and efficient flaming combustion, which boosts the efficient delivery of heat to the home.

The emission control and advanced combustion features of this fireplace can only work properly if the fuel used is in the correct moisture content range of 15% to 20%. Refer to the following section of suggestions on preparing fuelwood and judging its moisture.

3. Fuel

Good firewood has been cut to the correct length for the fireplace, split to a range of sizes and stacked in the open until its moisture content is down to 15% to 20%.

DO NOT BURN:

- **COAL;**
- **GARBAGE;**
- **LAWN CLIPPINGS OR YARD WASTE;**
- **MATERIALS CONTAINING RUBBER, INCLUDING TIRES;**
- **MATERIALS CONTAINING PLASTIC;**
- **WASTE PETROLEUM PRODUCTS, PAINTS OR PAINT THINNERS, OR ASPHALT PRODUCTS;**
- **MATERIALS CONTAINING ASBESTOS;**
- **CONSTRUCTION OR DEMOLITION DEBRIS;**
- **RAILROAD TIES OR PRESSURE-TREATED WOOD;**
- **MANURE OR ANIMAL REMAINS;**
- **SALT WATER DRIFTWOOD OR OTHER PREVIOUSLY SALT WATER SATURATED MATERIALS;**
- **UNSEASONED WOOD; OR**
- **PAPER PRODUCTS, CARDBOARD, PLYWOOD, OR PARTICLE BOARD. THE PROHIBITION AGAINST BURNING THESE MATERIALS DOES NOT PROHIBIT THE USE OF FIRE STARTERS MADE FROM PAPER, CARDBOARD, SAW DUST, WAX AND SIMILAR SUBSTANCES FOR THE PURPOSE OF STARTING A FIRE IN AN AFFECTED WOOD HEATER.**
- **BURNING THESE MATERIALS MAY RESULT IN THE RELEASE OF TOXIC FUMES OR RENDER THE HEATER INEFFECTIVE AND CAUSE SMOKE.**
- **IF THESE FUELS ARE BURNED IT COULD CREATE A HIGHER CONCENTRATION OF CO THAN BURNING HARD WOOD.**

3.1 Tree Species

The tree species the firewood is produced from is less important than its moisture content. The main difference in firewood from various tree species is the density of the wood. Hardwoods are denser than softwoods.

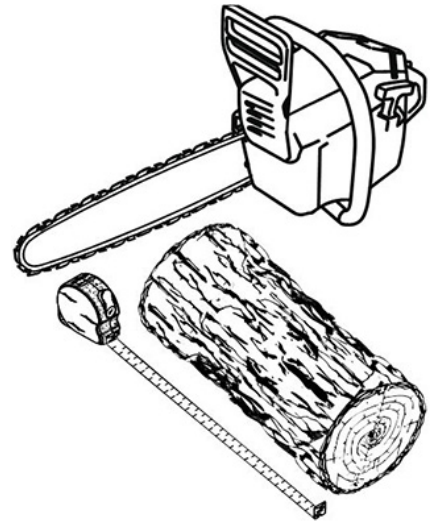
Homeowners with access to both hardwood and softwood use both types for different purposes. Softer woods make good fuel for mild weather in spring and fall because they light quickly and produce less heat.

Softwoods are not as dense as hardwoods so a given volume of wood contains less energy. Using softwoods avoids overheating the house, which can be a common problem with wood heating in moderate weather. Harder woods are best for colder winter weather when more heat and longer burn cycles are desirable.

Hardwood trees like oak, maple, ash and beech are slower growing and longer lived than softer woods like poplar and birch. That makes hardwood trees more valuable. The advice that only hardwoods are good to burn is outdated. Old, leaky cast iron fireplaces wouldn't hold a fire overnight unless they were fed large pieces of hardwood.

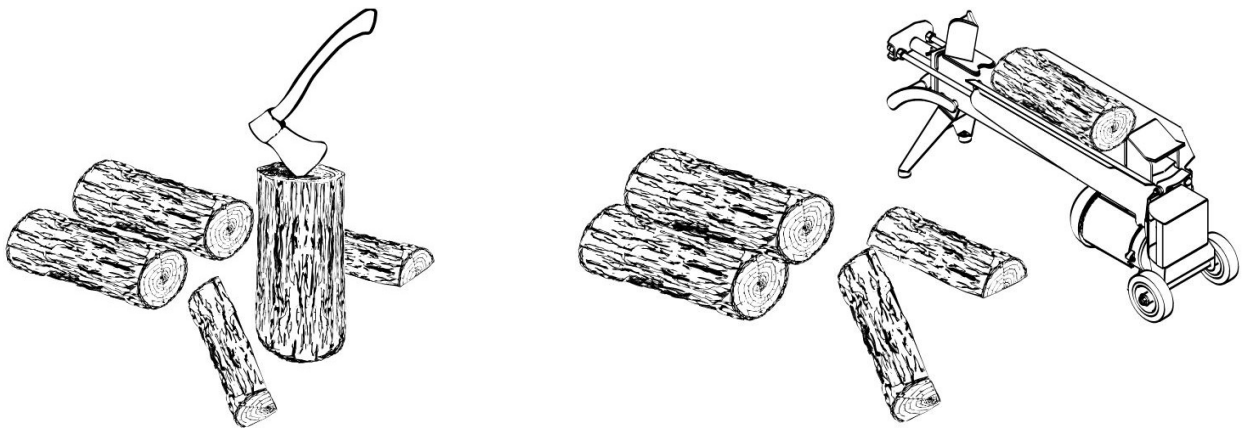
3.2 Log Length

Logs should be cut at least 1" (25 mm) shorter than the firebox so they fit in easily. Pieces that are even slightly too long makes loading the stove very difficult. The most common standard length of firewood is 16" (400 mm).



3.3 Piece Size

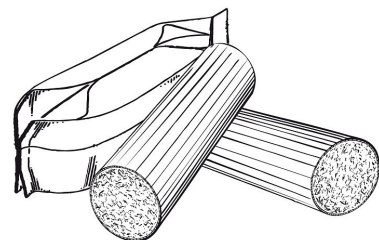
Firewood dries more quickly when it is split. Large unsplit rounds can take years to dry enough to burn. Even when dried, unsplit logs are difficult to ignite because they don't have the sharp edges where the flames first catch.



Wood should be split to a range of sizes, from about 3" to 6" (75 mm to 150 mm) in cross section. Having a range of sizes makes starting and rekindling fires much easier.

3.4 Compressed Wood Logs

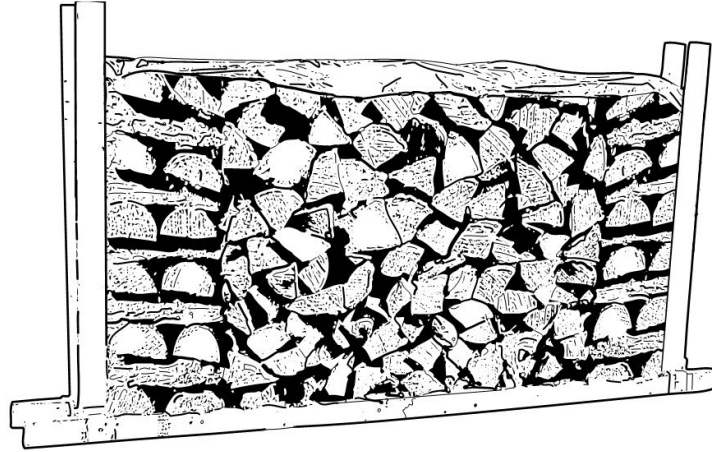
Compressed wood logs made of 100% compressed sawdust can be burned with caution in the number of these logs burned at once. Do not burn compressed logs made of wax impregnated sawdust or logs with any chemical additives. Follow the manufacturer's instructions and warnings. **Do not poke or stir the logs while they are burning.**



Use only logs that meet the requirements of ULC/ORD C127 M1990 for composite logs. Refer to package cautions and warnings before using logs. Refer to cautions and warnings on package before using logs.

3.5 Drying Time

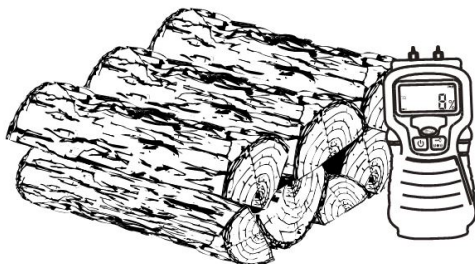
Firewood that is not dry enough to burn is the cause of most complaints about wood burning appliances. Continually burning green or unseasoned wood produces more creosote and involves lack of heat and dirty glass door. Firewood with a moisture content between 15% and 20% will allow the stove to produce its highest possible efficiency.



Here are some facts to consider in estimating drying time:

- Firewood bought from a dealer is rarely dry enough to burn, so it is advisable to buy the wood in spring and dry it yourself;
- Drying happens faster in dry weather than in a damp climate;
- Drying happens faster in warm summer weather than in winter weather;
- Small pieces dry more quickly than large pieces;
- Split pieces dry more quickly than unsplit rounds;
- Softwoods like pine, spruce, poplar, and aspen take less time to dry than hardwoods. they can be dry enough to burn after being stacked to air dry only for the summer months;
- Hardwoods like oak, maple and ash can take one, or even two years to dry fully, especially if the pieces are big;
- Firewood dries more quickly when stacked outside in a location exposed to sun and wind; it takes much longer to dry when stacked in a wood shed;

Use these guidelines to find out if the firewood is dry enough to burn:



- Cracks form at the ends of logs as they dry;
- The wood turns from white or cream colored to grey or yellow;
- Two pieces of wood struck together sounds hollow;
- Dry wood is much lighter in weight than wet wood,
- The face of a fresh cut feels warm and dry;
- The moisture content read by a moisture meter is between 15% to 20%.

4. Efficient Wood Combustion

4.1 First Use

Two things happen when burning the first few fires; the paint cures and the internal components are conditioned. As the paint cures, some of the chemicals vaporize. The vapors are not poisonous, but they smell bad. Fresh paint fumes can also trigger false alarms in smoke detectors. When lighting the heater for the first few times, it may be wise to open doors and windows to ventilate the house.

Burn two or three small fires to begin the curing and conditioning process. Then build bigger and hotter fires until there is no longer paint smell from the fireplace. As hotter and hotter fires are burned, more of the painted surfaces reach the curing temperature of the paint. The smell of curing paint does not disappear until one or two very hot fires have been burned.



Never use gasoline, gasoline-type lantern fuel (naphtha), fuel oil, motor oil, kerosene, charcoal lighter fluid, or similar liquids or aerosols to start or 'freshen up' a fire in this wood stove. Keep all such liquids well away from the stove while it is in use.

4.1.1 Using Fire Starters

Commercial fire starters can be used instead of a newspaper. Some of these starters are made of sawdust and wax and others are made of specialized flammable solid chemicals. Always follow the package directions when using.

Gel starters can also be used, but only to light a fire, in a cold combustion chamber without hot embers inside.

The heater should not be left unattended during ignition and the fire should not burn at full intensity for more than a few minutes.

4.2 Combustion Cycles

Wood heating with a space heater is very different than other forms of heating. There will be temperature variations in different parts of the house and there will be temperature variations throughout day and night. This is normal, and for experienced wood burners these are advantages of zone heating wood burning.

Wood heaters don't have a steady heat output. It is normal for the temperature to rise after a new load of wood is ignited and for its temperature to gradually decrease throughout the burning cycle.

This increasing and decreasing temperature can be matched with the household routines. For example, the temperature in the area can be cooler when the household is active, and it can be warmer when it is inactive.

Wood burns best in cycles. A cycle starts when a new load of wood is ignited by hot coals and ends when that load has been consumed down to a bed of charcoal about the same size as it was when the wood was loaded.

Trying to produce a steady heat output by placing a single log on the fire at regular intervals is not recommended. Always place at least three, and preferably more pieces on the fire at a

time so that the heat radiated from one piece helps to ignite the pieces next to it. Each load of wood should provide several hours of heating. The size of each load may vary depending on the amount of heat required.

Burning in cycles means the loading door does not need to be opened while the wood is flaming. This is an advantage since it is preventing smoke leaking from the heater when the door is opened as a full fire is burning. This is especially true if the chimney is on the outside wall of the house.

If the door must be opened while the fire is flaming, fully open air control for a few minutes then open the door slowly.

4.3 Removing Ashes

Ash should be removed from the firebox every two to three days of full-time heating. Ash should not accumulate excessively in the firebox since it will affect the proper operation of the appliance.

The best time to remove ash is in the morning, after an overnight fire when the fireplace is relatively cold, but there is still a little chimney draft to draw the ash dust into the fireplace and prevent going out into the room.

Disposal of ashes

Ashes should be placed in a tightly covered metal container. The container must be placed on a non-combustible floor or on the ground well away from all combustible materials. Ashes almost always contain live embers that can stay hot for days and which release carbon monoxide gas. If the ashes are disposed of by burial in soil or otherwise locally dispersed, they should be kept in a closed metal container until they are completely cooled. No other waste should be placed in this container.



NEVER STORE ASHES INDOORS OR IN A NON-METALLIC CONTAINER OR ON A WOODEN DECK.

4.4 Air Intake Control

Once the firewood, firebox and chimney are hot, air intake can be reduced to achieve a steady burn.

As the air intake is reduced, the burn rate decreases. This has the effect of distributing the thermal energy of the fuel over a longer period of time. In addition, the flow rate of exhaust through the appliance and flue pipe slows down, which increases the duration of the energy transfer of the exhaust gases. As the air intake is reduced, the flame slows down.

If the flames diminish to the point of disappearing, the air intake has been reduced too early in the combustion cycle or the wood used is too wet. If the wood is dry and the air control is used properly, the flames should decrease, but remain bright and stable.

On the other hand, too much air can make the fire uncontrollable, creating very high temperatures in the unit as well as in the chimney and seriously damaging them. A reddish glow on the unit and on the chimney components indicates overheating. Excessive temperatures can cause a chimney fire.

4.5 Fire Types

Using the air intake control is not the only way to match the fireplace heat output to the desired temperature in the house. A house will need far less heating in October than in January to maintain a comfortable temperature. Filling the firebox full in fall weather will overheat the space. Otherwise, the combustion rate will have to be reduced to a minimum and the fire will be smoky and inefficient. The method used to certify your appliance according to EPA Standards is presented in the [Loading Procedure](#) section of this manual. This method was developed specifically for your fireplace and results in the most efficient and cleanest combustion.

4.5.1 *Maximum Burn Cycle Times*

The burn cycle time is the period between loading wood on a coal bed and the consumption of that wood back to a coal bed of the same size. The flaming phase of the fire lasts for roughly the first half of the burn cycle and the second half is the coal bed phase during which there is little or no flame.

The burning time expected from this fireplace, including both phases, will vary depending on a number of things, such as:

- firebox size,
- the amount of wood loaded,
- the species of wood,
- the wood moisture content,
- the size of the space to be heated,
- the climate zone where the house is, and
- the time of the year.

The table below gives an approximate maximum burn cycle times, based on firebox volume.

Table 1 : Approximate Maximum Burn Cycle Time

FIREBOX VOLUME	MAXIMUM BURN CYCLE TIME
<1.5 cubic feet	3 to 5 hours
1.5 c.f. to 2.0 c.f.	5 to 6 hours
2.0 c.f. to 2.5 c.f.	6 to 8 hours
2.5 c.f. to 3.0 c.f.	8 to 9 hours
>3.0 c.f.	9 to 10 hours

A longer burning time is not necessarily an indication of efficient fireplace operation. It is preferable to build a smaller fire that will provide three or four hours of heating than to fully load the firebox for a much longer burn. Shorter burn cycles make it easier to match the heat output of the fireplace to the heat demand for the space.

4.5.2 Logs Orientation

In a relatively square firebox, the wood can be loaded north-south (ends of the logs visible) or east-west (sides of the logs visible).

North-south loads allow more wood to be loaded at the same time. On the other hand, they break into smaller pieces faster. North-south loading is good for high output, long lasting fires for cold weather.

East-west loads allow a limited amount of wood since too many logs could cause them to fall on the glass. East-west loads, placed in a compact way, take a long time before breaking down. They are excellent for low-intensity, long-lasting fires in relatively mild weather.

4.5.3 Carbon Monoxide

When there is no more flame in the firebox and there are still some unburned logs, check outside if there is smoke coming out of the chimney. If this is the case, it means that the fire is out of air to burn properly. In this situation, the level of CO increase and it is important to react. Open the door slightly and move the logs with a poker. Create a passage for the air below by making a trench with the ember bed. Add small pieces of wood to restart the combustion.



The minimum burn rate for this wood-burning fireplace has been set by the manufacturer and should not be altered. It is against federal regulations to alter this setting or to operate this wood-burning fireplace in a manner inconsistent with the operating instructions in this manual.

4.6 Loading Procedure

The images below show the space in the firebox where the logs are to be placed. It is important to always respect this space and not to put logs in the grid area marked with an X. The marked area is defined by the space between the glass and the andirons and above the “MAX LOAD” marking which represent where most of the secondary combustion air is injected inside the firebox. Leave enough space between the logs for good air circulation. Using more than the usable firebox volume for loading wood will result in poor combustion. The Usable firebox volume of 1.90 ft³ shown below is the one used during EPA emissions certification. The recommended log length for this wood heater is 16 inches. Fuel specie and length used for the EPA certification will be Big Leaf Maple and 18 inches long. **IF LOGS ARE IN THE UPPER AREA, THE RESULT WILL BE TOO RICH COMBUSTION WHICH WILL RESULT IN DIRTING THE GLASS AND CLOGGING THE HEAT EXCHANGER AND THE CHIMNEY.**

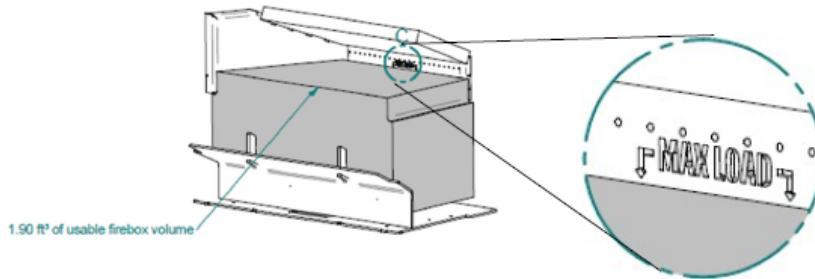
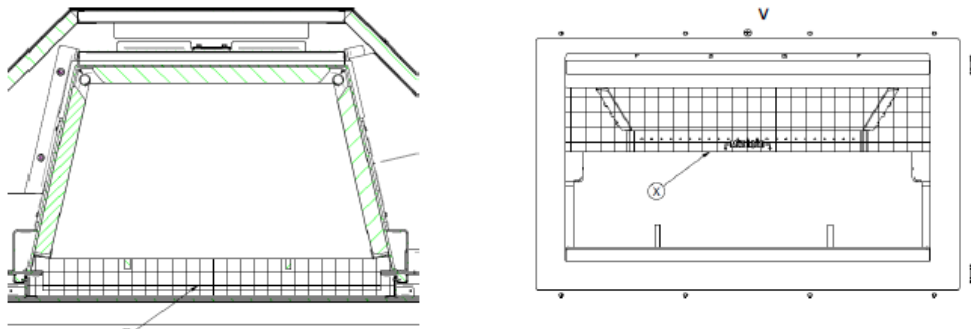


Figure 1 - Usable Firebox Volume



4.6.1 Air control

This heater has automatic motorized air control. To open the air controls in preparation for ignition, press the load button located on the right side, under the door handle. To achieve a high combustion rate, you can either increase the heating setting on the wireless thermostat (included with the unit) or operate the stove in manual mode and put it in the High position. See section 6.4 to learn how to use the wireless thermostat. Conversely, to achieve a low combustion rate, you can either reduce the heating setting on the wireless thermostat or operate the stove in manual mode and put it in the Low position.

4.6.2 Start-up phase

The remote control should be on “High” or the thermostat should “call for heat”. Place crumpled newspaper sheets on the firebox floor and carefully criss-cross 10 to 15 kindling pieces of 1"x1" (2.5 cm x 2.5 cm) approximately over the paper in the middle of the firebox. For the best ignition, put the three biggest pieces of kindling on the paper, at a 45-degree angle, with forward part laying on the ash lip and the rear part on the bottom brick. Use those kindling pieces to support the rest of the kindling pieces. This allows to leave enough space for the paper under the kindling pieces for a better paper ignition. The biggest kindling pieces remaining must be put in the second layer and smallest kindling pieces on the third layer. In general, leave some air spaces between each kindling pieces.

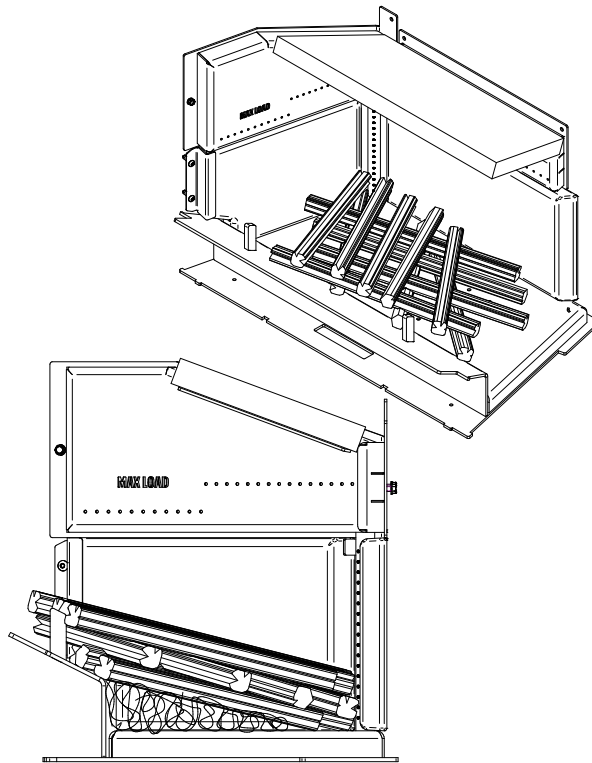


Figure 14: Kindling configuration

The kindling pieces need to be dry with moisture content about 10%. To achieve such a dry condition, we recommend splitting kindling pieces at least 2 weeks in advance, and let it dry in a criss-cross stack, and leave it inside at ambient temperature and low relative humidity. The best practice is to have 2 stacks done first, and, have a rotation of those stack to allow one to dry when you use the dried one.

Place 4 pieces of start-up fuel of 2 in. x 2 in. (5 cm x 5 cm) approximately over the kindling. For Start-up fuel configuration refer to the picture below. Leave air space between each start-up fuel pieces. Basically, for a good and fast ignition you need to allow the flames to pass all around each wood pieces.

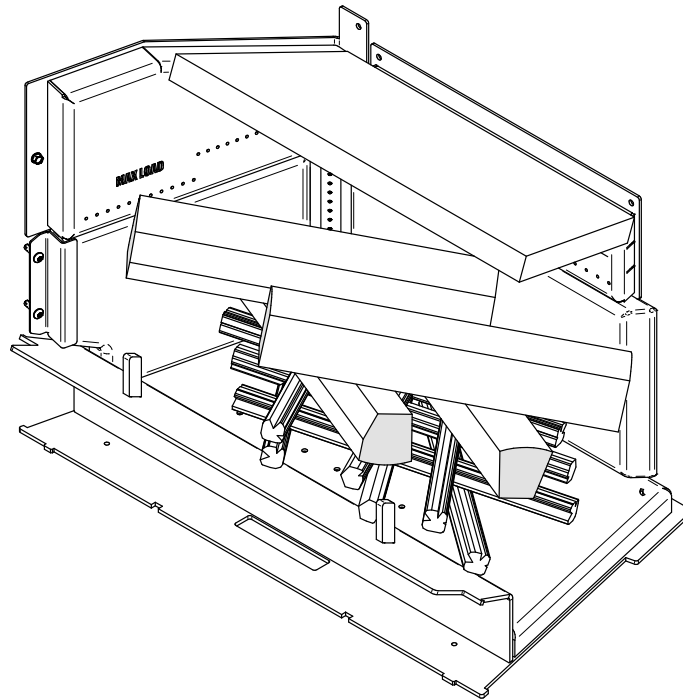


Figure 15: Start-up Fuel configuration

Press the Reload Button when the unit is cold. This will calibrate all sensors of the appliance. If the appliance is rarely cold, try to do a “cold calibration”, at least once a week. Light up the paper at the front and on the side of the fuel load. Using a propane torch for approximately one minute will be more efficient (faster) than a small lighter. Half-open the door and let the flame intensity increase for about 2 minutes. Close the door when the flames are rolling fast above the fuel load (see picture below). A fast and very hot ignition will insure an efficient combustion.



Figure 16: Picture of the flame when to close the door

4.6.3 High-fire phase

The best time to start this phase is when the unit has a small embers bed, some fuel pieces not completely burned and also when there are still some flames in the combustion chamber. See Figures below for an example.

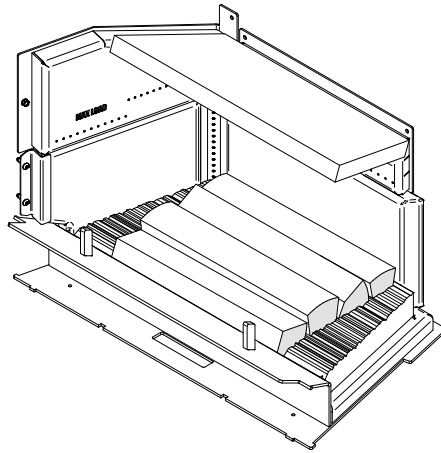


Figure 17 : Unburned pieces position prior to load High Fire load



Figure 18 : Picture of the flame when to load the High Fire Load.

The remote control remains on high fire. This high-fire phase is intended to quickly heat an area, shortly after start-up phase or when restarting the appliance. The High fire load configuration can be made with 4 small cordwood pieces of 2.5 in. x 4.5 in (6 cm x 11 cm) approximately. Refer to picture below for a wood load configuration allowing an optimized ignition followed by a stable and clean combustion. In general, small wood pieces with moisture content between 19% and 25% (dry basis) will be configured in more compact configuration (limited air space between each piece). However, larger wood pieces with a higher moisture content will be configured with more air spaces between each wood piece.

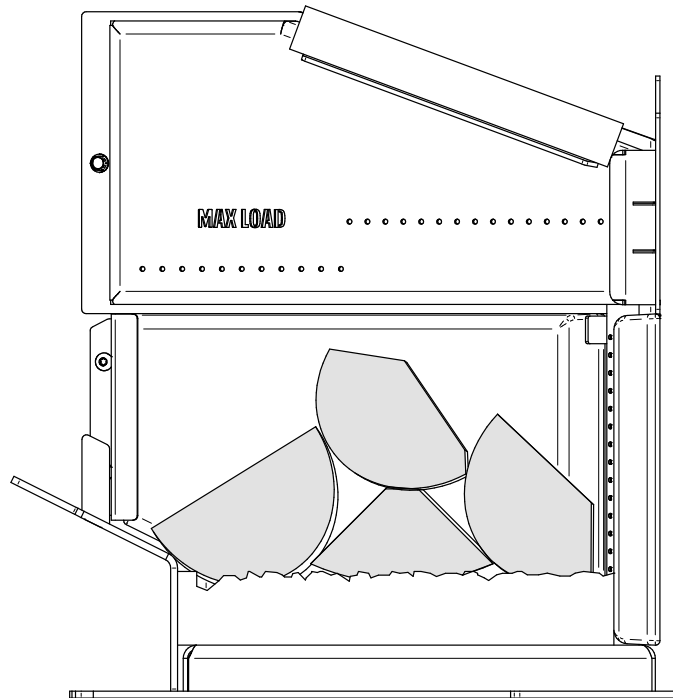


Figure 19: High Fire load in firebox

Following the start-up phase, when flames start to reduce in intensity (refer to Figure 18), open the door and put the first 3 pieces in East-West configuration directly on the unburned wood pieces. The load needs to be placed in the middle of the firebox without touching the refractory panels. The last piece should be added on top of the first 3, stacked closer to the back, in an East-West orientation. Press the Reload Button before closing the door.

Keep the remote control on high for about half of an hour. That represents approximately when 50% of the load has been consumed. This is when the fire box has reached the maximum temperature, and the flames just begin to reduce in intensity. The remote control can be set to low fire at that point.

4.6.4 Maintenance-fire phase

This phase is a period when a fire is maintained with a medium-sized embers bed, and a smaller batch of wood normally made of two large cordwood pieces. The goal is to maintain consistent heat output. The Maintenance-fire load configuration is made with 2 large fuel pieces of 4 in. x 6 in (10 cm x 15 cm) approximately.

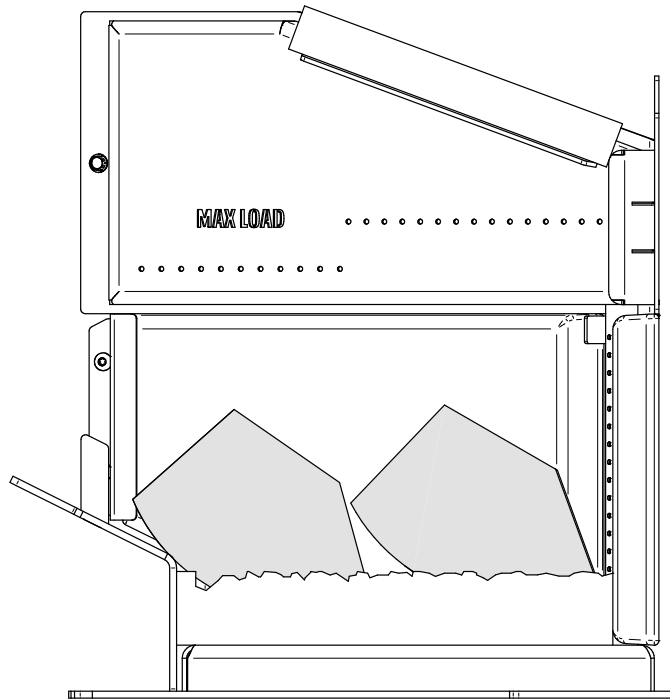


Figure 20: Maintenance Fire Loading

Following the high-fire phase, when there are only faint flames remaining and most of the wood is turned into embers, it is time to open the door. The wood pieces can be put gently over the embers bed, but it is recommended to stir the embers bed. Put the first piece in East-West orientation at the back of the firebox without touching the refractory panels. Put the second piece just in front of the first one also in East-West orientation. Press the Reload Button. Close the door and keep the remote control on low fire setting. It is not required to change the setting for proper ignition, the appliance will handle it.

4.6.5 *Low-burn rate phase*

This phase is a period when the stove has a large embers bed, the stove is fully loaded, and the adjustable air settings are set to produce the lowest possible burn rate. This phase is made to maintain heat over a long time, such as overnight or while away for significant periods of time. The Low-burn rate load configuration is made with 3 large cordwood pieces of 4 in. x 6 in (10 cm x 15 cm) approximately and 3 medium cordwood pieces of 2.5 in. x 4.5 in (6 cm x 11 cm) approximately. The load configuration is East-West.

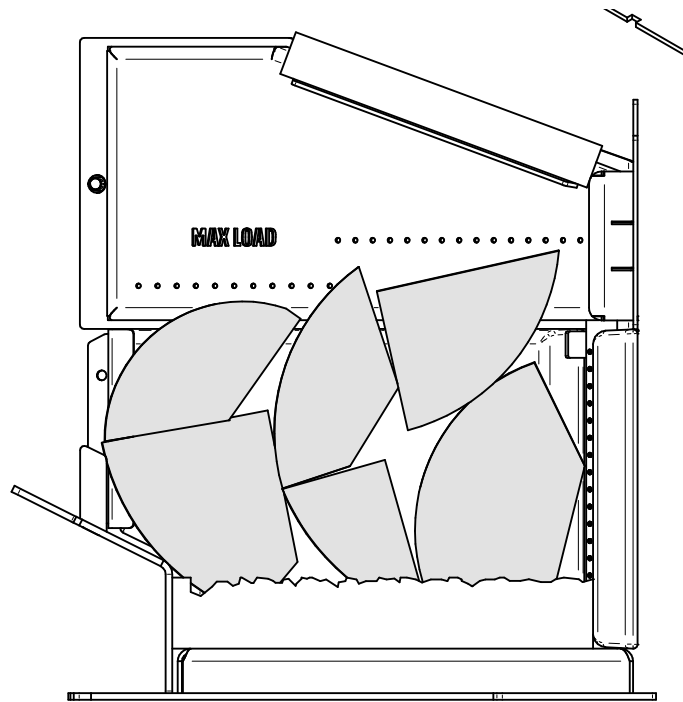


Figure 21: Low Fire Loading

Following the maintenance-fire phase, when there are only faint flames remaining (or no flames at all) and most of the wood is turned into embers, open the door and stir the embers bed to insure ease of wood loading.

For an optimal loading, put a large wood piece on the embers bed in the back, followed by a small piece in the middle and a large piece at the front. Use the log retainer to hold the third piece. For the second layer, every effort shall be made to avoid going above the MAX LOAD indicator. Typically, start with a small piece in the back, a large piece in the middle and a last small piece on the front as shown on the picture above. In general, for large wood load running at low firing rate, maintain air gap between the rear brick and the pieces allows for a faster ignition and an efficient combustion. Make sure that wood pieces are not inserted in the space between the door glasses and the log retainers (see section 2.1 above). Cordwood pieces at the front of the firebox need to be enough stable to not fall on the glass. Proper use of the log retainers can reduce log to roll into the glass door. Press the Reload Button and close the door.

WARNING : A “MAX LOAD” indicator can be found inside the combustion chamber. There should not be combustible above the indicator (should you always be able to see the “MAX LOAD” when your eyes are leveled with the indicator. Overloading the unit will result in dirty glass and a low combustion efficiency. Do not built the fire too close to the glass.

4.6.6 Power failure

This appliance needs power to operate and should never be installed without a proper electrical connection. In the event of a power failure when the unit is operating, the appliance will enter in a fail-safe mode. Air controls will go in a position safe to finalize combustion. For longer power failure, small fires can be done by using small kindling and starter pieces only. If you live in an area where power failure are typically more than 3-4 hours, we recommend connecting a battery to operate the heater as its full capacity. A 12V, deep-cycle, 100Ah battery will be enough to operate the heater for at least 24h.

WARNING: DO NOT CONNECT A CHARGER TO THE BATTERY WHILE IT IS CONNECTED TO THE FIREPLACE POWER SUPPLY BOARD. DOING SO MAY CAUSE OVERVOLTAGE AND DAMAGE THE SYSTEM.

5. Maintenance

This heater will give many years of reliable service if used and maintained properly. Internal components of the firebox such as firebricks or refractory panels, baffle and air tubes will wear over time. Defective parts should always be replaced with original parts.

To avoid premature deterioration, follow the lighting and reloading procedures in section «Burning Wood Efficiently» and also avoid letting the heater run with the air intake fully open for entire burn cycles.

5.1 Cleaning and Painting

Painted and plated surfaces can be wiped down with a soft, damp cloth. If the paint is scratched or damaged, it is possible to repaint the fireplace with a heat-resistant paint. **Please note: It is more difficult to achieve color matching over a large area.**

Do not clean or paint the fireplace when it is hot.

Before painting, the surface should be sanded lightly with sandpaper and then wiped off to remove dust. Apply two thin layers of paint.

5.2 Refractory Material and Baffle

The intense heat of the fire can cause slight cracks in the refractory panels. It is possible to minimize the appearance of these cracks by hardening the panels as described in the section «First Use».

Slight cracks will not reduce the effectiveness of the panels. On the other hand, if wider cracks appear, they must be replaced. Inspect the refractory panels and the baffle for damage periodically and replace anything that is cracked or broken.

Operation of the heater with a cracked or missing baffle may cause unsafe temperatures and hazardous conditions and will void the warranty.

5.3 Glass Door

Under normal conditions, the door glass should stay relatively clear. If the firewood is dry enough and the operating instructions in this manual are followed, a whitish, dusty deposit will form on the inner surface of the glass after a week or so of use. This is normal and can be easily

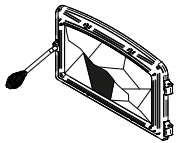
removed when the heater is cold by wiping with a damp cloth or paper towel and then drying.

When the fireplace runs at a low combustion rate, light brown stains may form, especially in the lower corners of the glass. This indicates that the fire has been smoky and some of the smoke has condensed on the glass. It also indicates incomplete combustion of the wood, which also means more smoke emissions and faster formation of creosote in the chimney.

The deposits that form on the glass are the best indication of the fuel quality and success in properly using the fireplace. These stains can be cleaned with a special wood stove glass cleaner.

Do not use abrasive products to clean the glass.

The goal should be having a clear glass with no brown stains. If brown stains appear regularly on the glass, something about the fuel or the operating procedure needs to be changed. When brown streaks are coming from the edge of the glass, it is time to replace the gasket around the glass. Always replace the gasket with a genuine one.



Do not clean the glass when the fireplace is hot.

Do not abuse the glass door by striking or slamming shut.

Do not use the fireplace if the glass is broken.

5.3.1 Replacement

The glass used is a ceramic glass, 5/32" (4 mm) thick, 37 7/8" x 20 3/8" (962mm x 517mm) tested to reach temperatures up to 1400° F. If the glass breaks, it must be replaced by a ceramic glass from SCHOTT with the same specification. Contact your dealer to obtain a genuine replacement part.

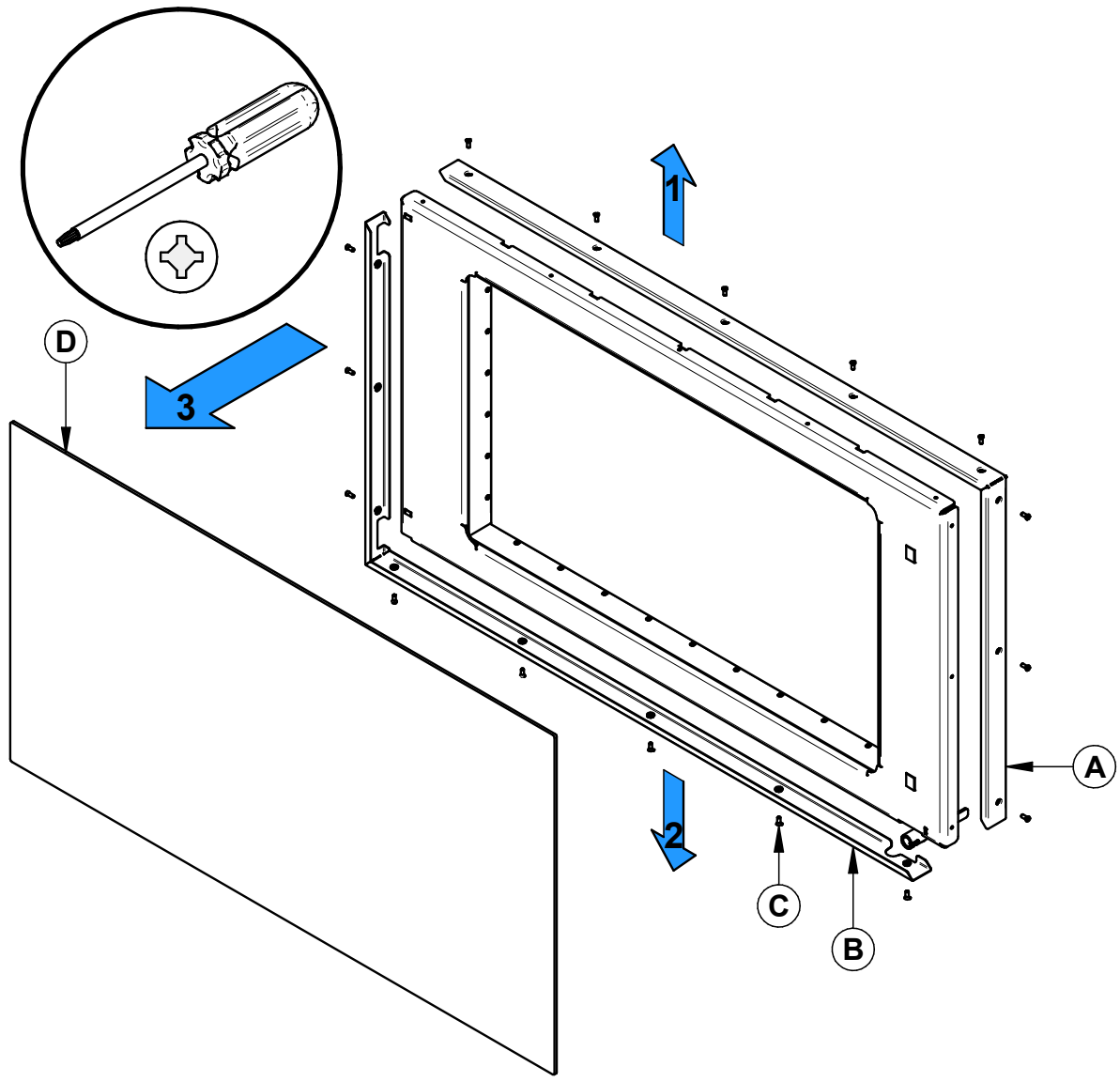
It is possible to replace your transparent glass with a tinted ROBAX® NightFlame. This fire viewing panels consist of a semi-transparent black glass-ceramic material designed for the use as thermal window in fireplaces with dead front effect to block the view when there is no flame in the firebox. Contact your dealer to have the ROBAX® NightFlame (PR46063).

WARNING : DO NOT USE SUBSTITUTE MATERIALS WHEN REPLACING THE GLASS.

Tempered glass or ordinary glass will not withstand the high temperatures of this unit.

To remove or replace the glass:

1. Remove the door from its hinges and lay it on a flat surface.
2. Remove the upper glass retainer **(A)** and the lower glass retainer **(B)** held in place by the screw **(C)**.
3. Remove glass **(D)**.
4. Repeat the steps in reverse order to install the new glass.

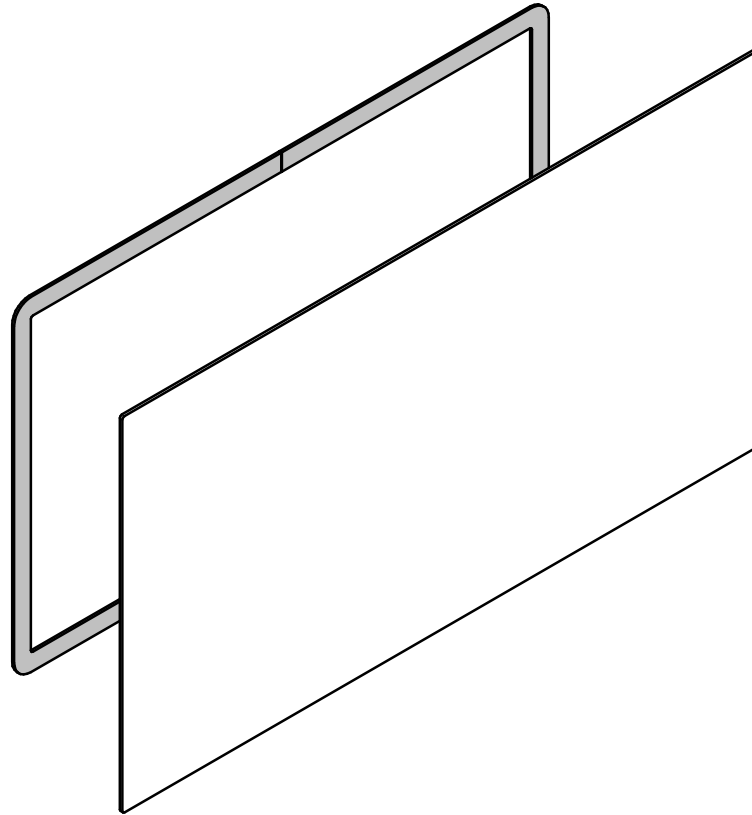


The two main causes of broken door glass are uneven placement in the door and over-tightening the retaining screws.

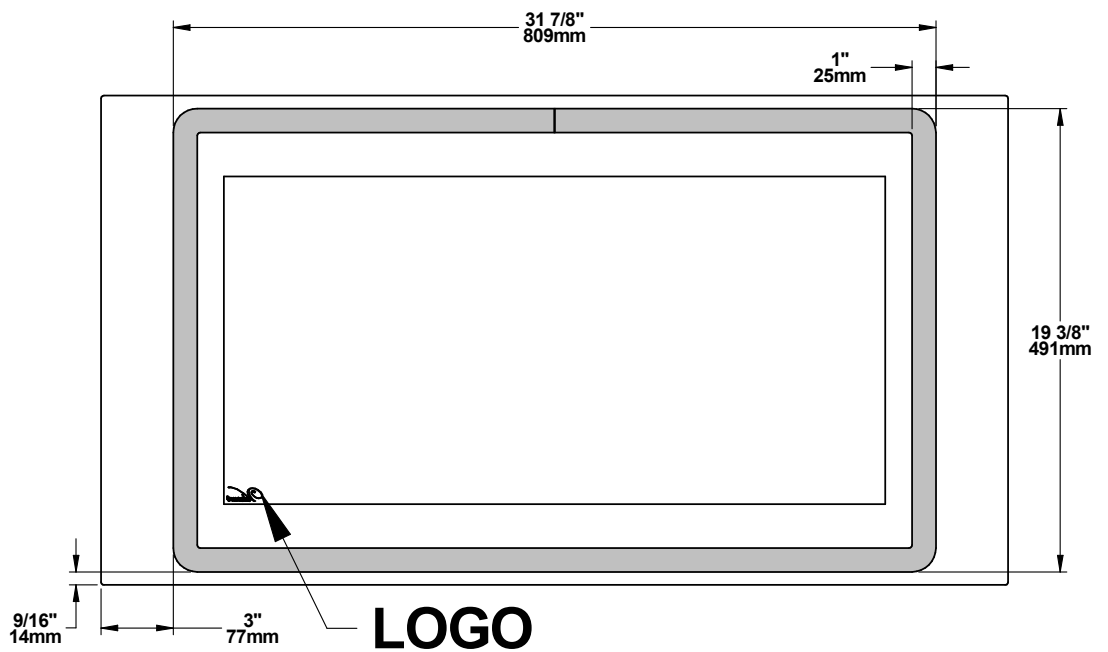
5.3.2 Gasket / installation

By following these instructions, the edge clearances are maintain.

1. Follow the steps of the previous section to remove the glass.
2. Cut and install the adhesive gaskets as shown in the drawings below.



INSIDE

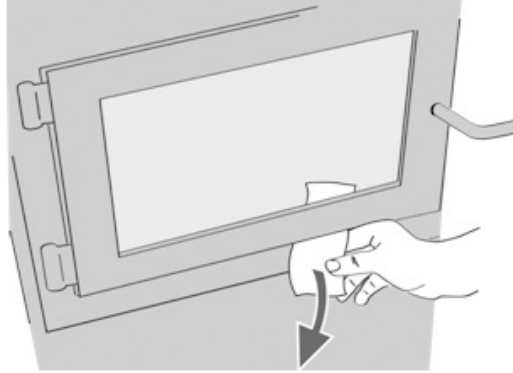


3. Replace the door by following the steps on the previous page.

5.4 Door

In order for the fireplace to burn at its best efficiency, the door must provide a perfect seal with the firebox. Therefore, the gasket should be inspected periodically to check for a good seal. The tightness of the door seal can be verified by closing and latching the door on a strip of paper. The test must be performed all around the door. If the paper slips out easily anywhere, either adjust the door or replace the gasket.

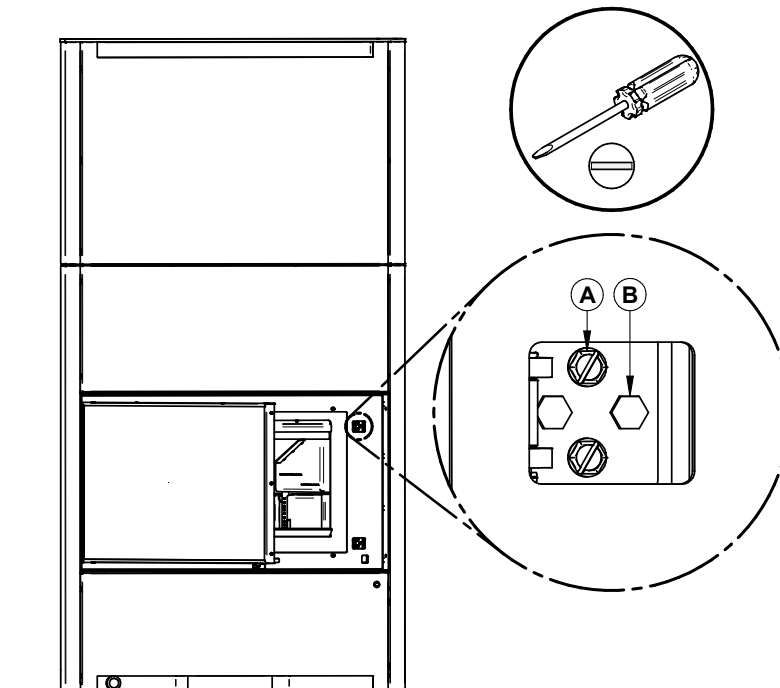
At the end of each heating season it is recommended to add a high temperature graphite paste on the threads of the door handles. This paste will protect the threads from rust and prevent dust accumulation that can prevent the handles from rotating freely.



5.4.1 Door Adjustment

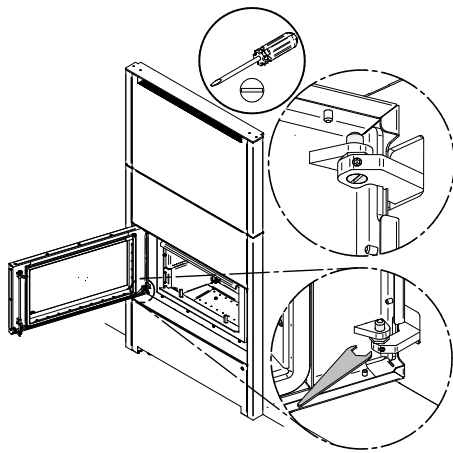
For the combustion of your fireplace to be optimal, the door should be perfectly tight with the combustion chamber. The seal must therefore be inspected periodically to get a good seal. The seal can be improved with a simple adjustment of the latch mechanism. Proceed as follows:

1. Open the door and locate the lower and upper latch systems to the right of the door opening.
2. Using slotted screwdriver or nutdriver (5/16"), loosening slightly the screws **(A)** before adjusting screws **(B)**. Turn the adjustment setscrews **(B)** counterclockwise to increase the compression of the gasket of the facing or clockwise to reduce the compression of the seal in the case of a new gasket for example. Tighten screws **(A)** before using the door.



5.4.2 Aligement

To align the doors, open the doors and slightly unscrew the set screws on the lower and upper door hinges with a 3/32" Allen key to release the adjustable hinge rods.



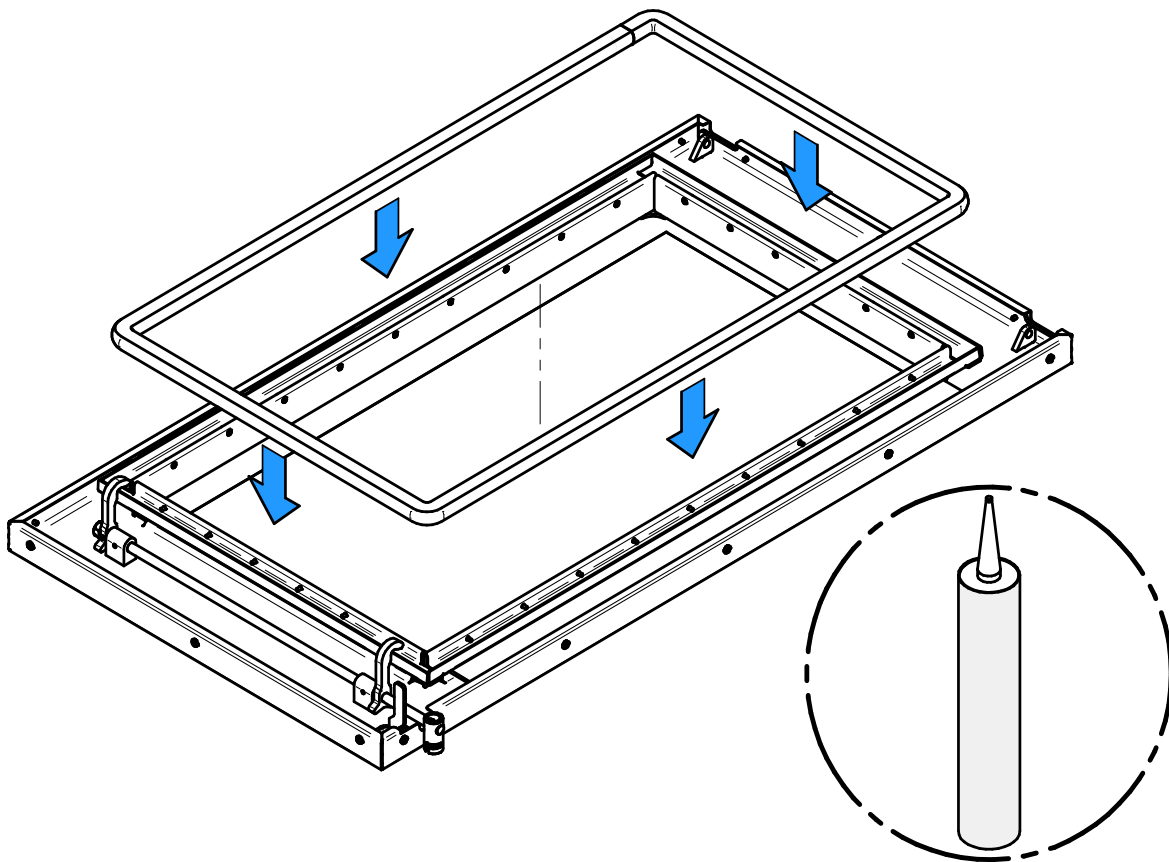
Using a flat screwdriver, turn the adjustable hinge rods in the directions shown to adjust the door. Tighten the set screws on the door hinges when they are in the desired positions.

	Doors position with more space	Doors position with less space	Doors tilt up	Doors tilt down
Top pintle				
Bottom pintle				

5.4.3 Gasket

It is important to replace the gasket with another having the same diameter and density to maintain a good seal.

1. Remove the door and place it face-down on something soft.
2. Remove the old gasket from the door. Use a screwdriver to scrape the old gasket adhesive from the door gasket groove.
3. Apply a bead of approximately 3/16" (5 mm) of high temperature silicone in the door gasket groove. Starting from the middle, hinges side, press the gasket into the groove. The gasket must not be stretched during installation.
4. Leave about 1/2" (10 mm) long of the gasket when cutting and press the end into the groove. Tuck any loose fibers under the gasket and into the silicone.
5. Close the door. Do not use the fireplace for 24 hours.



5.5 Exhaust System

Wood smoke can condense inside the chimney, forming a flammable deposit called creosote. If creosote builds up in the system, it can ignite when a hot fire is burned in the insert. A very hot fire can progress to the top of the chimney. Severe chimney fires can damage even the best chimneys. Smouldering, smoky fires can quickly cause a thick layer of creosote to form. When the insert is operated properly, the exhaust from the chimney is mostly clear and creosote builds up more slowly.

«Creosote - Formation and Need to Removal

When wood is burned slowly, it produces tar and other organic vapors, which combine with expelled moisture to form creosote. The creosote vapors condense in the relatively cooler chimney flue of a slow-burning fire. As a result, creosote residue accumulates on the flue lining. When ignited this creosote makes an extremely hot fire. The chimney connector and chimney should be inspected at least once every two months during the heating season to determine if a creosote buildup has occurred. If creosote has accumulated ($\frac{1}{8}$ " [3mm] or more it should be removed to reduce the risk of a chimney fire»

5.5.1 Cleaning frequency

It is not possible to predict how much or how quickly creosote will form in the chimney. It is important, therefore, to check the build-up in the chimney monthly until the rate of creosote formation is determined.

Even if creosote forms slowly in the system, the chimney should be cleaned and inspected at least once each year.

Establish a routine for the fuel, wood burner and firing technique. Check daily for creosote build-up until experience shows how often you need to clean to be safe. Be aware that the hotter the fire, the less creosote is deposited and weekly cleaning may be necessary in mild weather even though monthly cleaning may be enough in the coldest months. Contact your local municipal or provincial fire authority for information on how to handle a chimney fire. Have a clearly understood plan to handle a chimney fire.

5.6 Sweeping the Chimney

Chimney sweeping can be a difficult and dangerous job. People with no chimney sweeping experience will often prefer to hire a professional chimney sweep to inspect and clean the system for the first time. After seeing the cleaning process, some will choose to do it themselves. The chimney should be checked regularly for creosote buildup. Inspection and cleaning of the chimney can be facilitated by removing the baffle. See « Refractory Panels Replacement » in the product specification manual for more details.

To access the top of the chimney, you will need to remove the chimney cap. It can be secured in place with screws or other fasteners. With the appropriate tool, remove the fasteners holding the cap in place and remove the cap.



ENGLISH

5.6.1 Chimney Fire

Regular chimney maintenance and inspection can prevent chimney fires. If you have a chimney fire, follow these steps:

1. Close the fireplace door and the air intake control;
2. Alert the occupants of the house of the possible danger;
3. If you require assistance, alert the fire department;
4. If possible, use a dry chemical fire extinguisher, baking soda or sand to control the fire. *Do not use water* as it may cause a dangerous steam explosion;

Do not use the appliance again until the fireplace and its chimney have been inspected by a qualified chimney sweep or a fire department inspector.

5.7 Smoke Sensor Maintenance (SE76079)

The smoke sensor must be removed for maintenance. Follow the procedure below to remove it.

Tools needed:

- Philips screwdriver
- 7/64" Allen wrench
- Cotton swab

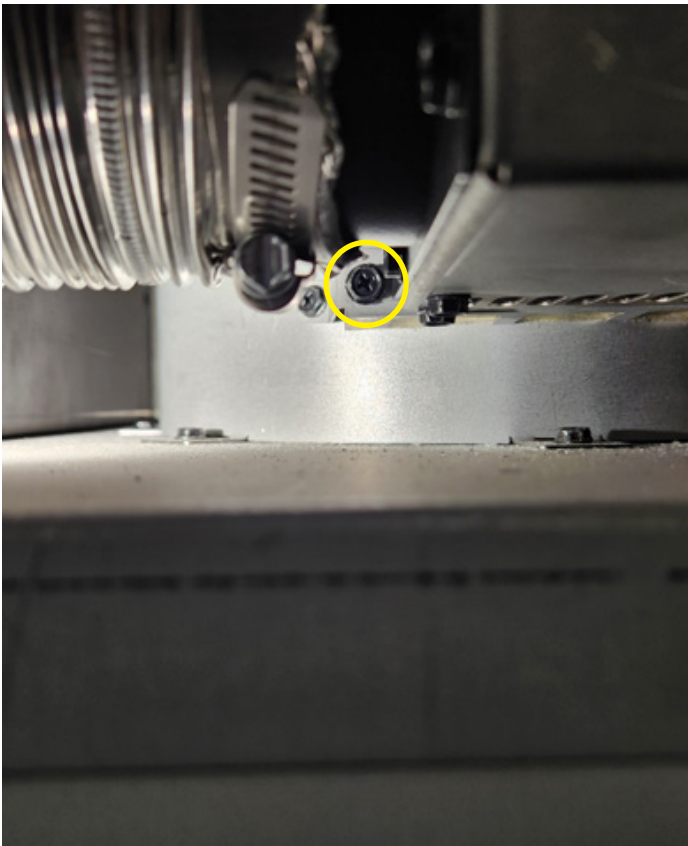
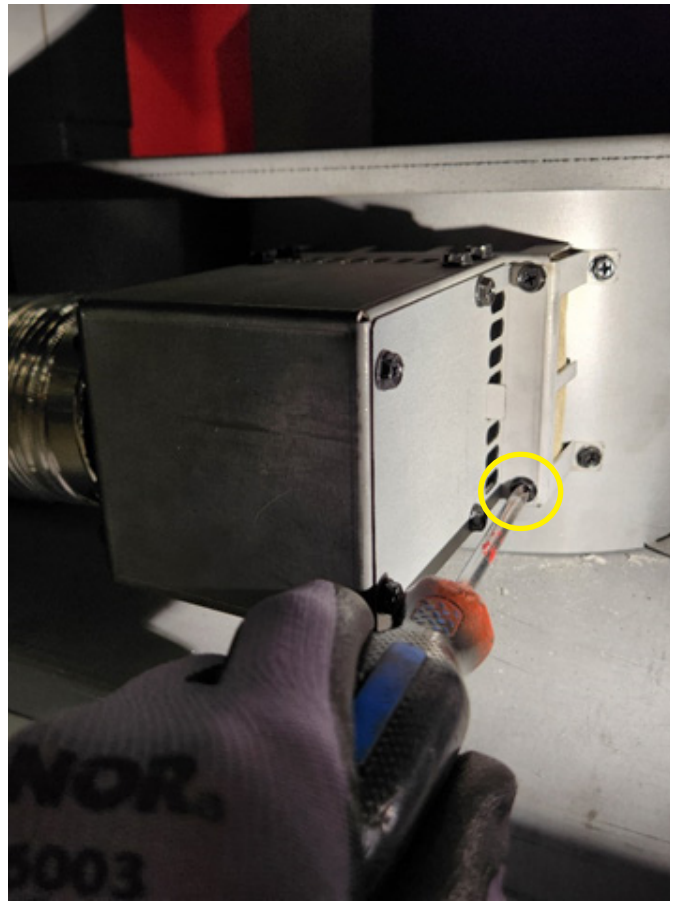
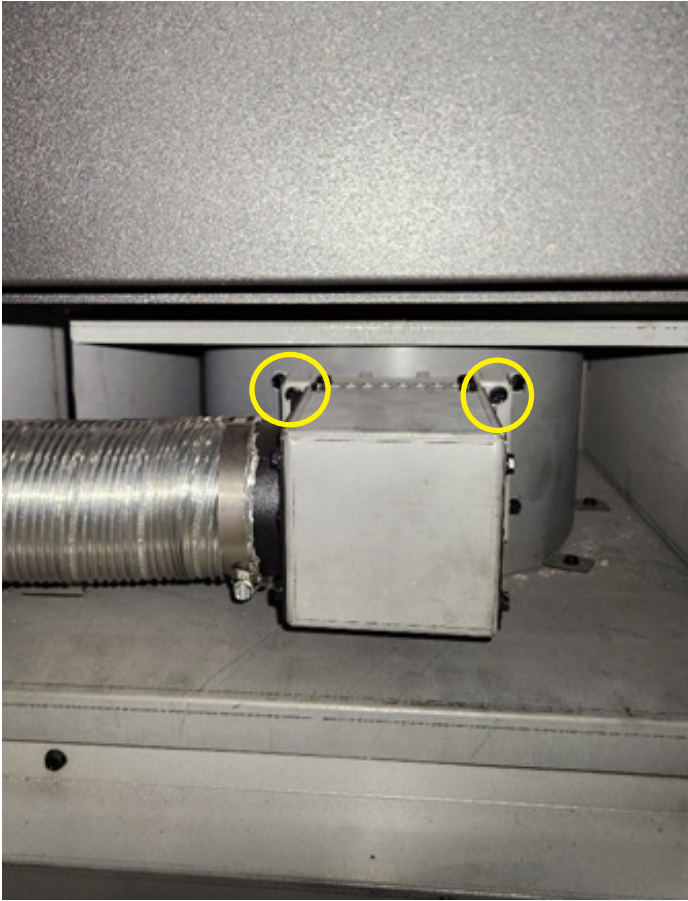
Procedure to follow

1. Remove the center panel.

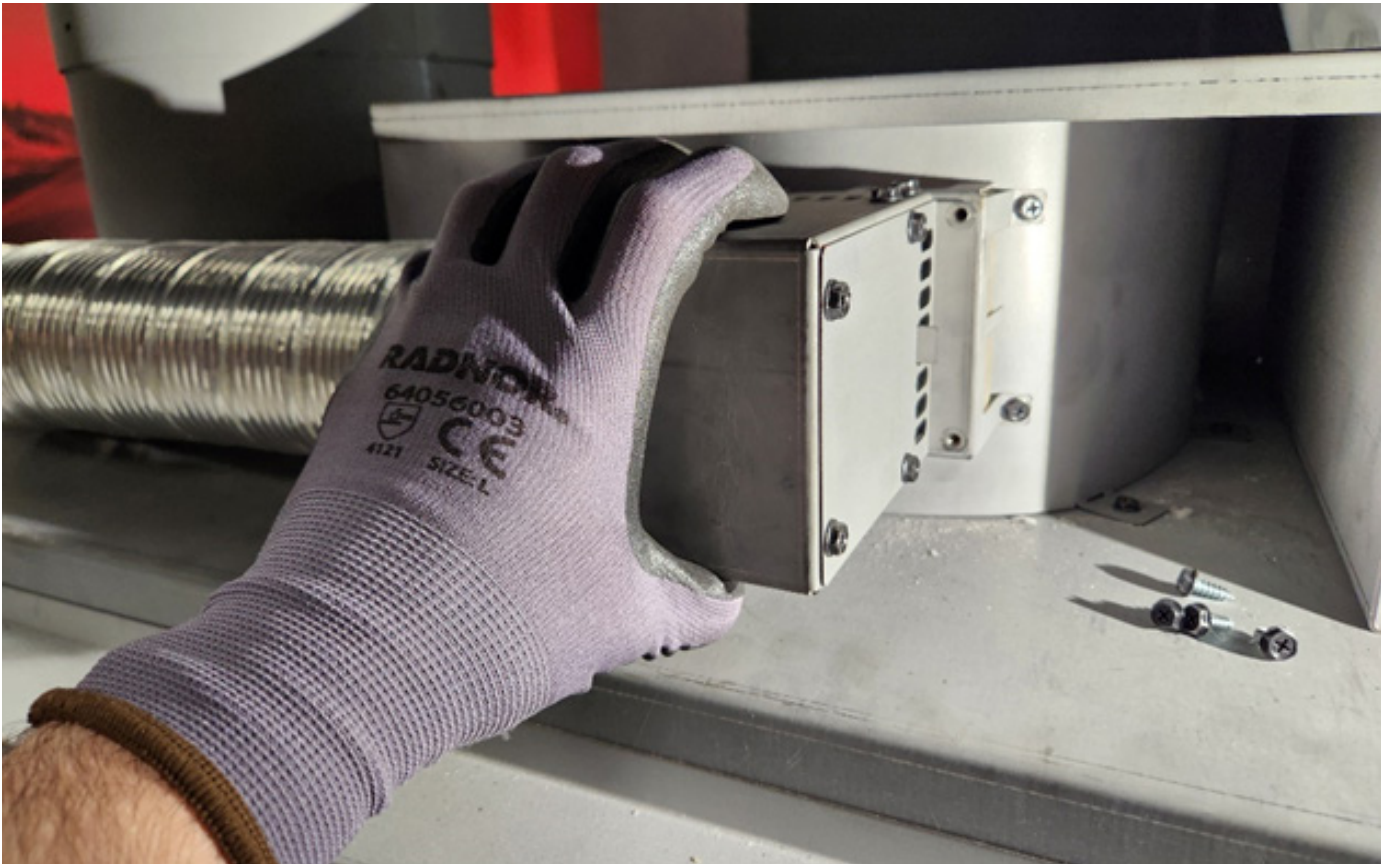
ENGLISH



2. Unscrew the 4 screws using a Philips screwdriver. Note: 1 screw is hidden (bottom-left).



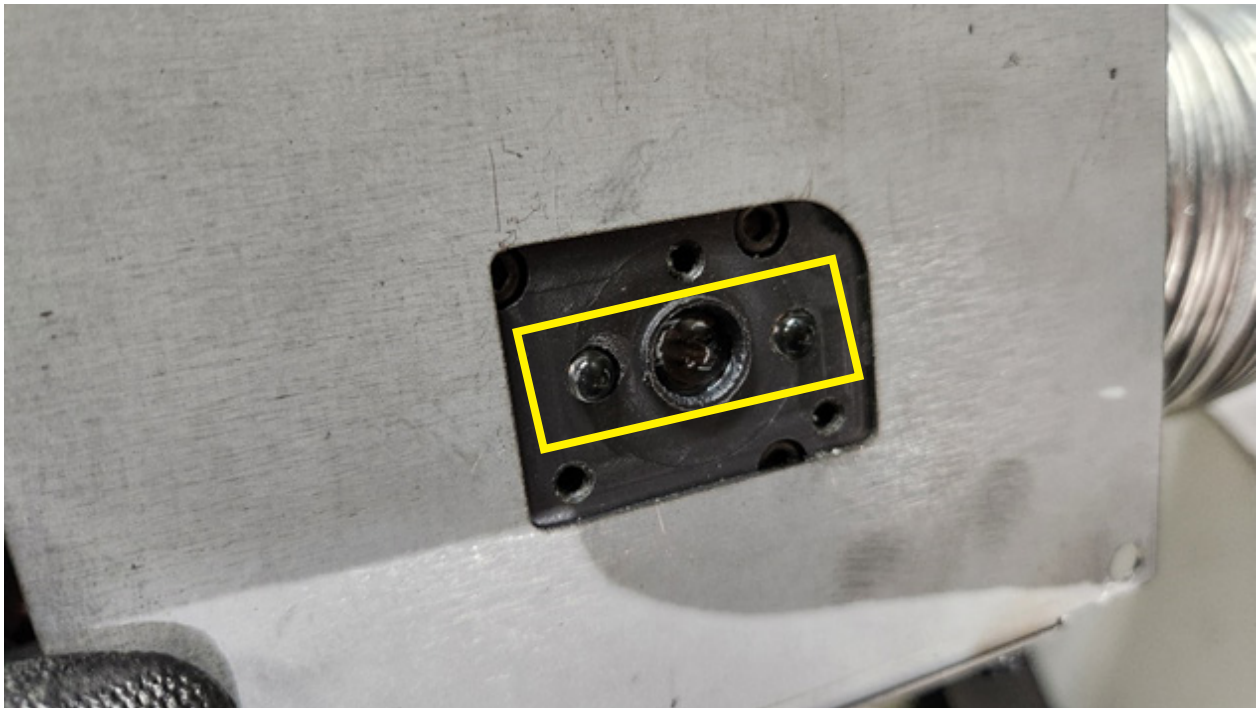
3. Remove the sensor assembly. Be careful not to bend the flexible tube too much to avoid damaging it.



4. Unscrew the 3 screws using a 7/64" Allen wrench and remove the plastic plate.



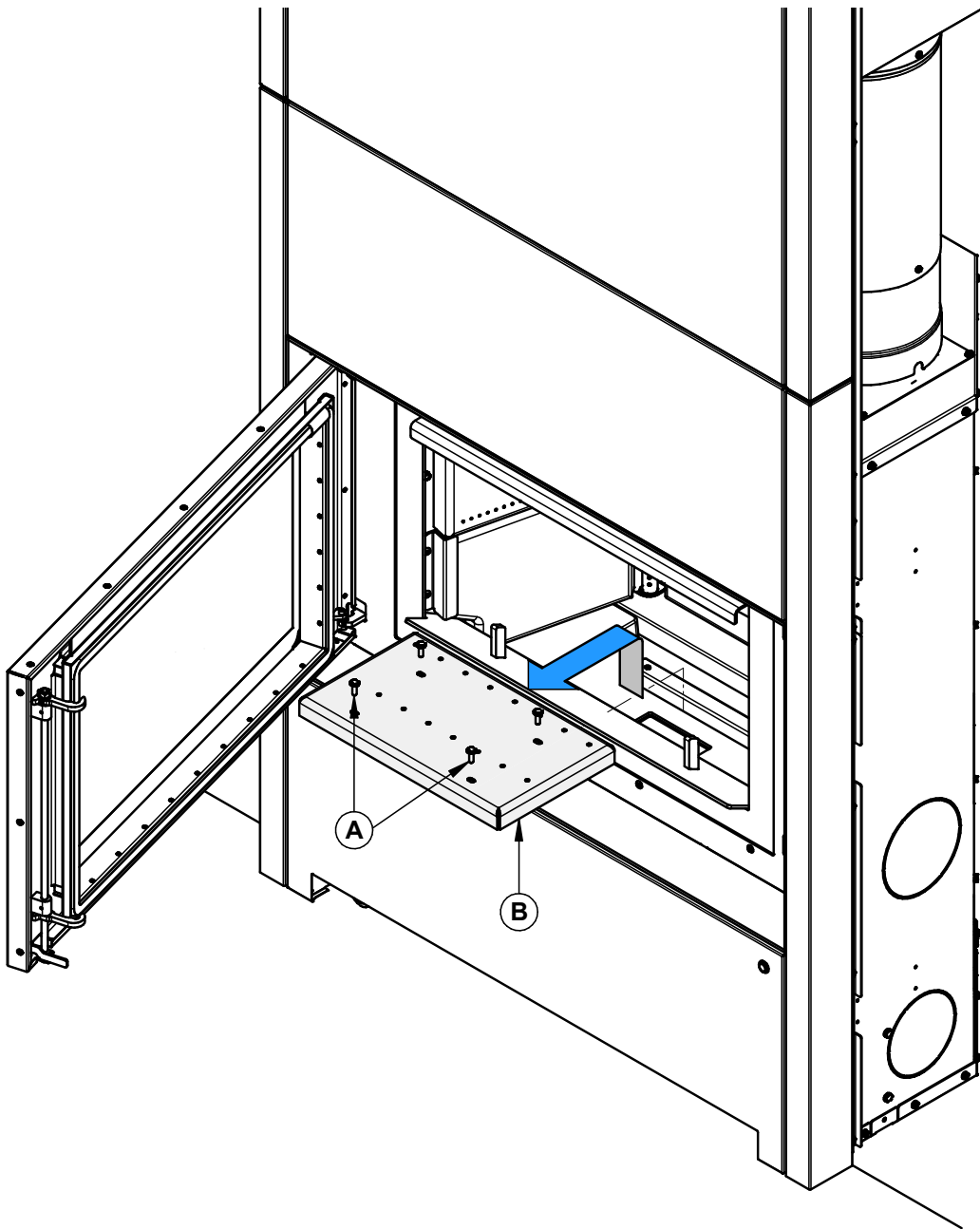
5. Clean the lens and the 2 LEDs using a cotton swab..



6. Follow the same steps in reverse order to reassemble the smoke sensor.

5.8 Channel Maintenance

The floor air diffuser (channel) **(B)** must be cleaned annually to maintain its efficiency. Unscrew screws **A** to remove the diffuser.



PART B - INSTALLATION

6. Fireplace Installation

Install the fireplace only as described in these instructions and using only the following fireplace components and chimney components from chimney manufacturers listed in "[Table 4 : Approved Chimneys](#)".

Mandatory Equipments

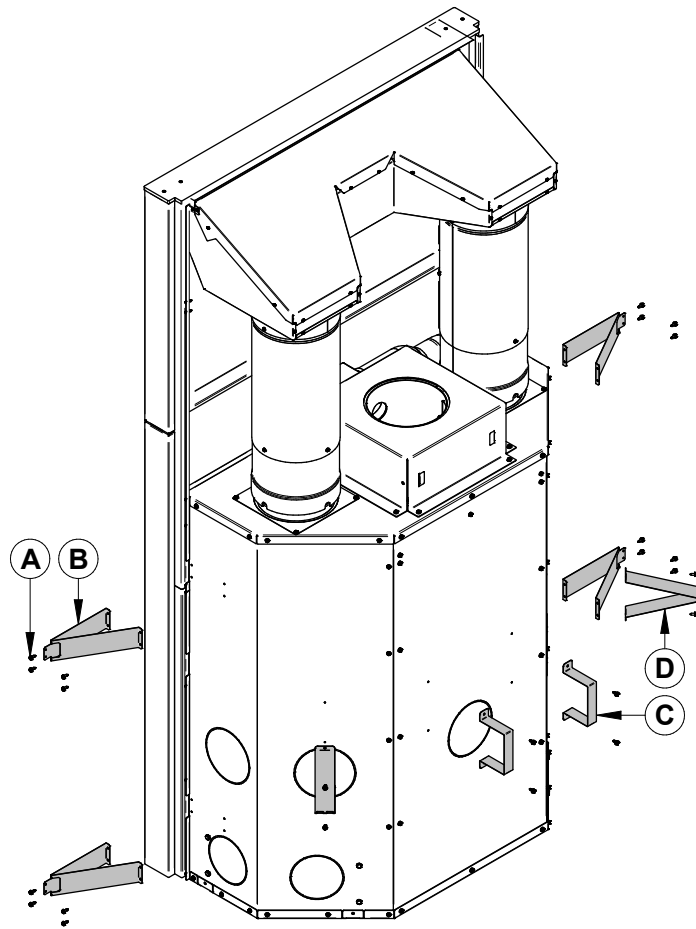
- Faceplate;
- Gravity hot air distribution kit;
- Refractory panels;
- Insulated chimney made by the manufacturers listed in [Table 4](#), with the corresponding specifications:
 - Chimney lengths;
 - Elbows (where necessary);
 - Associated components as per these installation instructions.

Additional Equipment (optional)

- Forced air distribution kit (In Canada Only);
- Fresh air kit;

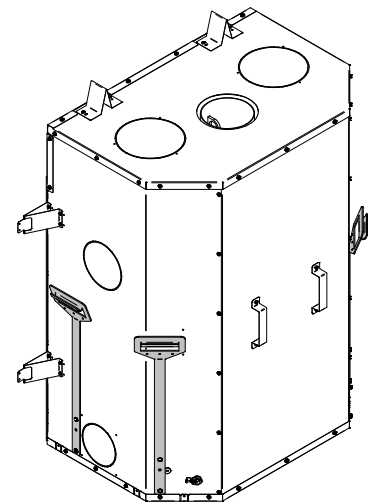
6.1 Standoff installation

Before installing the fireplace, **it is mandatory to install the standoffs (B) (C) (D)** on the sides and in the back of the fireplace. The standoffs can be found in the fireplace firebox and and the screws **(A)** to install them can be found with the envelope of the fireplace manual.



6.2 Carrying Handles

To facilitate the transport of the fireplace, handles sold as an option may be used. They are installed on each side of the fireplace. Wearing gloves is strongly recommended when moving the fireplace.



6.3 Clearances to combustibles

The clearances shown in this section have been determined by test according to procedures set out in safety standards ULC S610 (Canada) and UL127 (U.S.A.). When the fireplace is installed so that its surfaces are at or beyond the minimum clearances specified, combustible surfaces will not overheat under normal and even abnormal operating conditions.

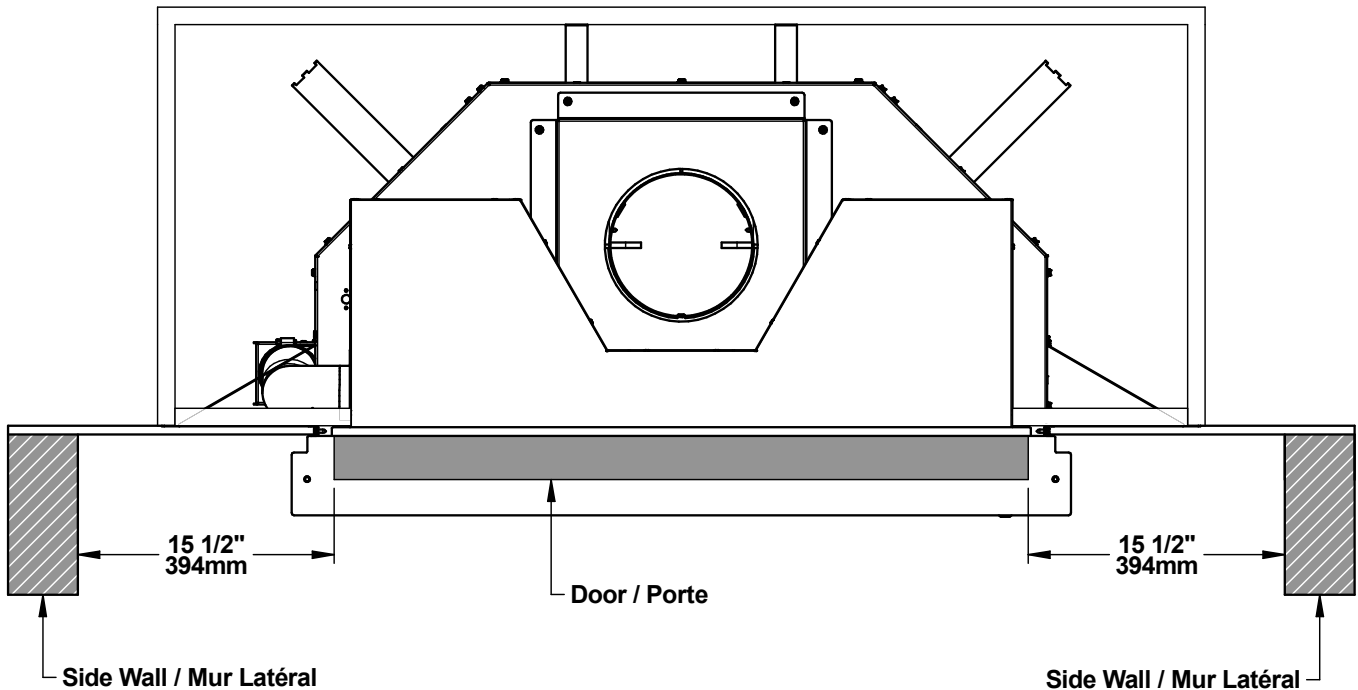
A material is considered non-combustible when made entirely of steel, iron, bricks, tiles, concrete, slate, glass or a combination of these materials. Materials corresponding to ASTM E136 and UL 763 are considered to be non-combustible materials with the exception of gypsum, which will be considered a non-combustible material only if it is certified to withstand an ambient temperature of use of 250°F and more.

No part of the fireplace may be located closer to the combustible than the minimum clearance given.

- Side wall distance 15 1/2" (394mm)
(measured from the side of the door)
- Minimum distance to the wall in front of the fireplace 48" (1219 mm) in Canada and 36" (914 mm) in USA.
- Minimum ceiling height : 96" (2438 mm)
measured from the base of the fireplace.

Fireplace enclosure :

- Back wall : 0"
- Sides : 0"
- Floor (underneath the fireplace) : 0"
- Chimney : 2" (51 mm)



6.4 Framing construction

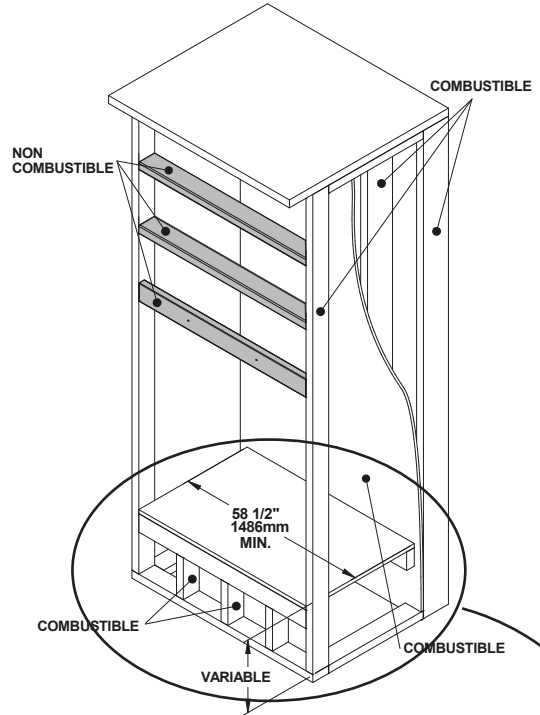
The frame, on the sides and back of the fireplace, must be made of 2" x 3" (5 cm x 8 cm) or larger.

Do not use combustible materials for the frame directly above the fireplace. This area should remain empty to a height of 96" (2438 mm) measured from the base of the fireplace.

Build the fireplace frame using vertical studs placed on the sides of the fireplace, from the floor to the ceiling. The studs must be set back from the front edge of the fireplace by a space equivalent to the thickness of the finishing material, so that it is flush with the finish of the fireplace.

Non-combustible headers between studs should be installed as follows:

- The headers must be 2" x 3" (5 cm x 8 cm) or 2" x 4" (5 cm x 10 cm). Do not put wood or other material in the area above the fireplace.
- Install only the cripple studs needed to support the finishing material and mantle.



NOTE: THIS VIEW IS PROVIDED FOR REFERENCE ONLY TO ILLUSTRATE THE FRAMING CONSTRUCTION AROUND THE FIREPLACE AS WELL AS THE NON-COMBUSTIBLE MATERIAL REQUIREMENTS AROUND THE UNIT. THE UNIT WAS NOT DESIGNED OR INTENDED TO BE ELEVATED. WHILE ELEVATION IS TECHNICALLY POSSIBLE, IT IS NOT RECOMMENDED FOR AESTHETIC REASONS.

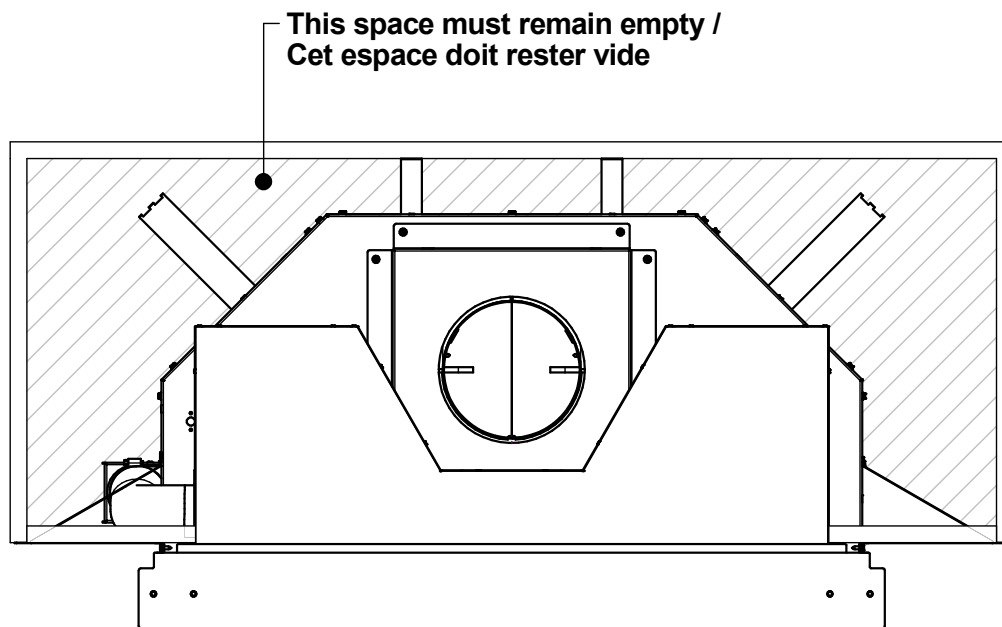
6.4.1 Fireplace Framing

WARNING :

- **DO NOT FILL THE REQUIRED EMPTY SPACE INSIDE THE ENCLOSURE WITH INSULATION OR ANY OTHER MATERIAL.**
- **DO NOT PUT STORAGE SPACE IN THE ENCLOSURE SURROUNDING THE FIREPLACE.**

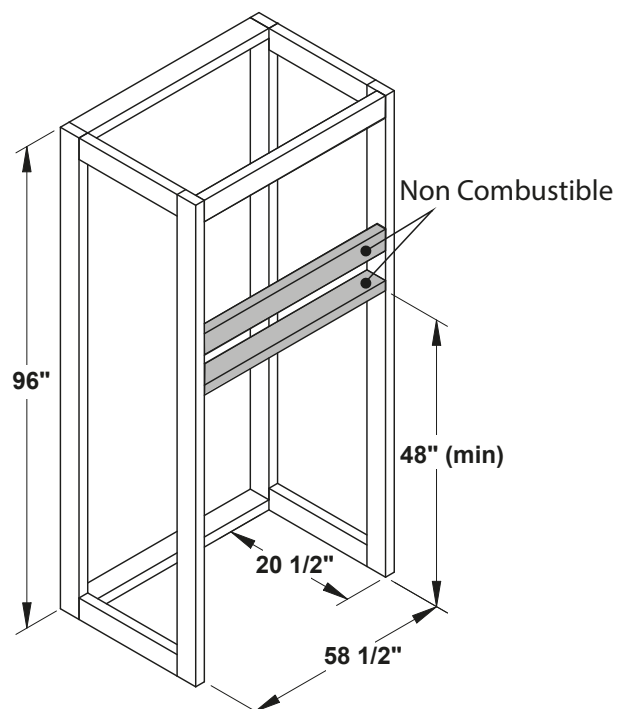
Framing dimensions should be used as a reference only.

The fireplace must not be in contact with any insulation or loose filling material. Inside the chase, around the fireplace, insulation should be covered with drywall panels or any other finishing material except where non-combustible material is required.

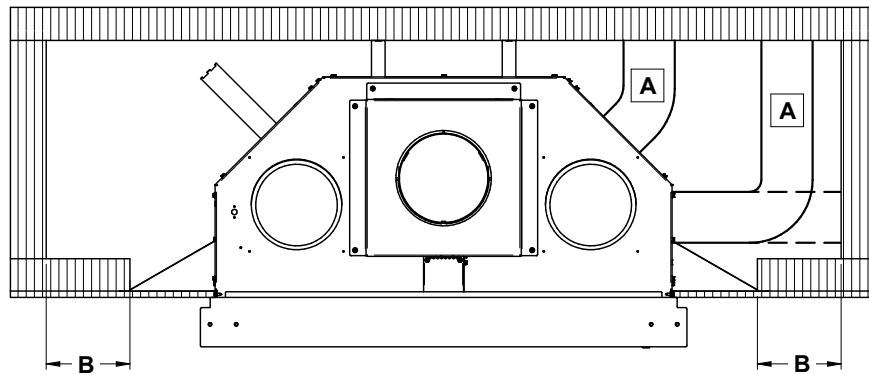


If a finishing material is installed inside the enclosure, its thickness must be added to the following measurements.

- Framing width 58 1/2" (1486 mm)
- Framing height to the first header 48" (1219 mm) minimum
- Framing depth 20 1/2" (521 mm)
- Framing total height 96" (2438 mm)



6.4.2 Framing with Fresh Air Intake¹³



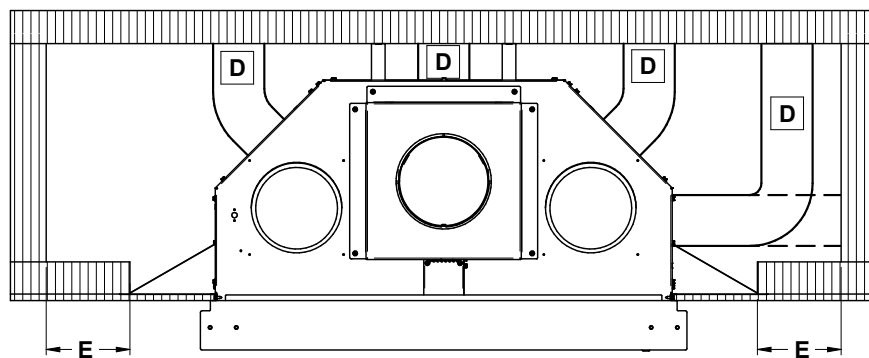
ENGLISH

If a finishing material is installed inside the enclosure, its thickness must be added to the following measurements.

A : Fresh air intake duct¹⁴ (Fresh air intake can be installed on the right).

B : Distance between framing and side fireplace standoff 12" (305 mm)

6.4.3 Framing with forced air kit (In Canada Only)¹⁵



If a finishing material is installed inside the enclosure, its thickness must be added to the following measurements.

D : Forced air duct¹⁶ (Duct can be installed on the left **or** on the right).

E : Distance between framing and side fireplace standoff 18" (457 mm)

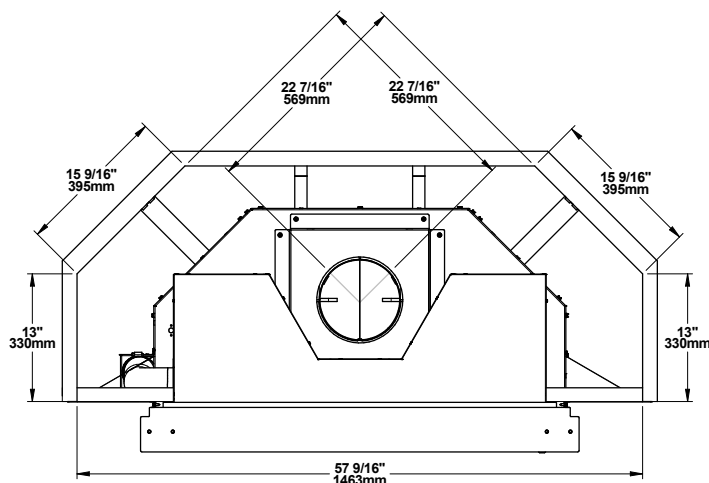
¹³ Framing dimensions are for reference only. These measurements are recommended to prevent the ducts from being inside the standoff or have too tight duct curves. Smaller dimensions can be used depending on the size and type of duct as well as the configuration of the installation.

¹⁴ HVAC duct, as per ULC S110 or UL 181, class 0 or class 1, must withstand temperatures up to 250°F.

¹⁵ Framing dimensions are for reference only. These measurements are recommended to prevent the ducts from being inside the standoff or have too tight duct curves. Smaller dimensions can be used depending on the size and type of duct as well as the configuration of the installation.

¹⁶ HVAC duct, as per ULC S110 or UL 181, class 0 or class 1, must withstand temperatures up to 250°F.

6.4.4 Framing with corner installation



Framing configuration should be used as a reference only. If a finishing material is installed inside the enclosure, its thickness must be added to the following measurements. These values are minimum measurements and may need to be increased to allow the installation of the fresh air intake, the forced air kit (In Canada Only) or the type of finishing material used.

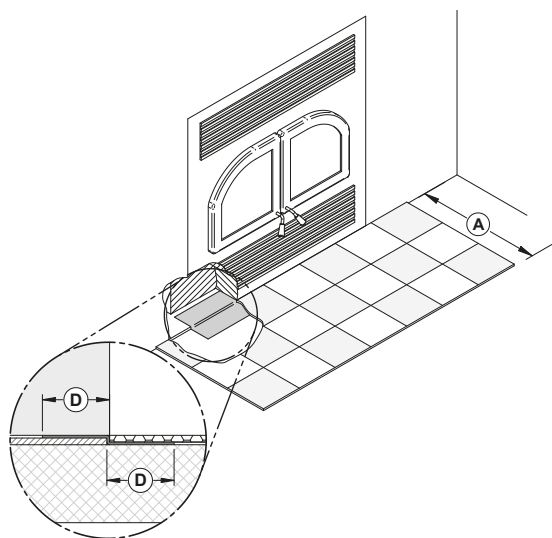
6.5 Hearth Extension Construction

WARNING: THE HEARTH EXTENSION IS TO BE INSTALLED ONLY AS ILLUSTRATED.

This fireplace can be installed directly on the floor or on a raised base, combustible or not. The installation can be done according to one of the following options :

OPTION	INSTALLATION TYPE	R VALUE REQUIRED	NON-COMBUSTIBLE FLOOR PROTECTION DEPTH
#1	On floor level	No	16" (406 mm)
#2	Raised base of less than 4" (101 mm)	No	16" (406 mm)
#3	Raised base of 4" (101 mm) or more	No	16" (406 mm)

6.5.1 Option #1 - Floor Level Installation

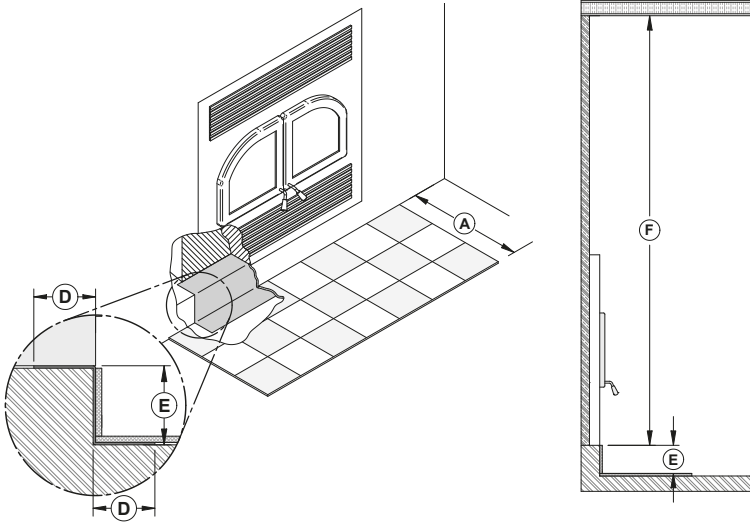


When the fireplace is installed directly on the floor, a non-combustible floor protection of at least 16" (406 mm) **(A)** with it's no R value must be installed in front of the fireplace. The joint between the floor protection and the fireplace must be protected over the entire width of the floor protection by a folded and continuous metal sheet **(D = min 2" [51 mm])** (not supplied).

A clearance of 96" (2438 mm) between the base of the fireplace and the ceiling must be respected.

The minimum floor height under the fireplace should match (or exceed) the height of non-combustible materials used for floor protection.

6.5.2 Option #2 - Raised Base Installation of Less Than 4" (101 mm)

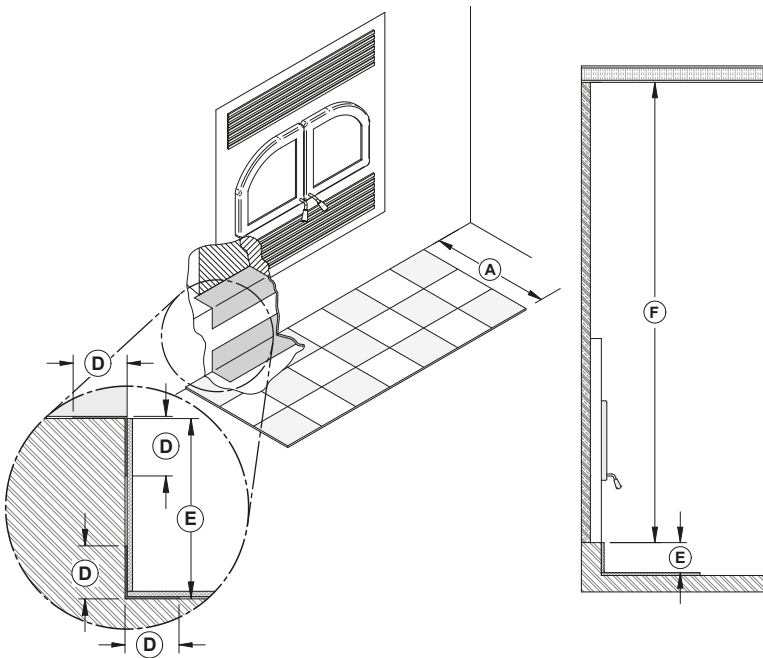


When the fireplace is installed on a raised base of less than 4" (101 mm) **(E)**, a non-combustible floor protection of at least 16" (406 mm) **(A)** with no R value must be installed in front of the fireplace.

The joint between the floor protection and the fireplace must be protected over the entire width of the floor protection by a folded and continuous metal sheet **(D = min 2" [51 mm])** (not supplied). It is recommended to make the sheet metal in one piece.

*A clearance of 96" (2438 mm) **(F)** between the base of the fireplace and the ceiling must be respected.*

6.5.3 Option #3 - Raised Base Installation of 4" (101 mm) or More



When the fireplace is installed on a raised base of 4" (101 mm) or more **(E)**, a non-combustible floor protection of at least 16" (406 mm) **(A)** with no R value, must be installed in front of the fireplace.

The upper and lower angle, for the full width of the floor protection, must be protected by 2" (51 mm) horizontally and vertically by a folded and continuous metal sheet **(D = 2" [51 mm])** (not supplied). The sheet metal does not have to cover the rest of the wall between the base of the fireplace and the floor.

*A clearance of 96" (2438 mm) **(F)** between the base of the fireplace and the ceiling must be respected.*

6.5.4 Floor Protection

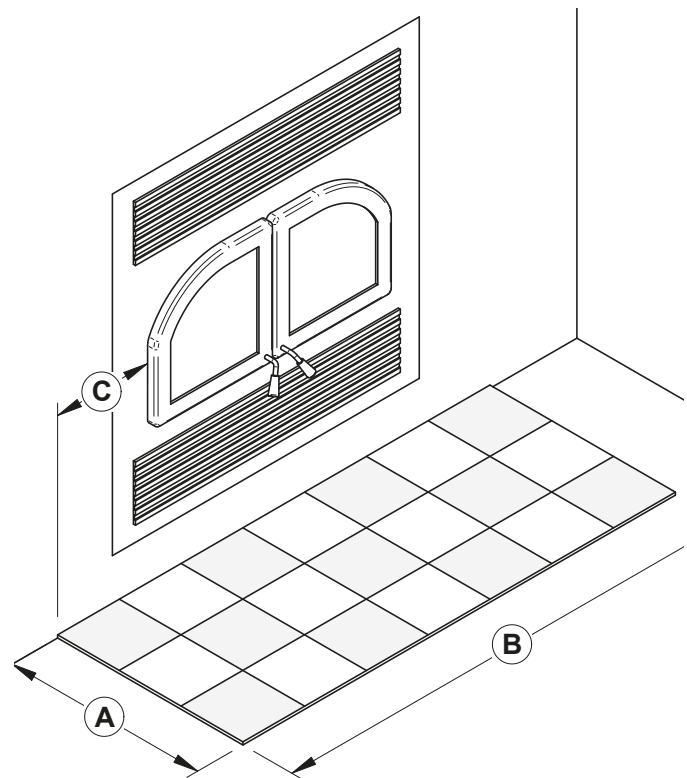
OPTION	INSTALLATION TYPE	R VALUE REQUIRED	A	B	C
#1	On floor level	No	16" (406 mm)	36 ¾" (914 mm)	8" (203 mm)
#2	Raised base of less than 4" (101 mm)	No	16" (406 mm)	36 ¾" (933 mm)	8" (203 mm)
#3	Raised base of 4" (101 mm) or more	No	16" (406 mm)	36 ¾" (933 mm)	8" (203 mm)

Regardless of the installation type, there must be at least 8" (203 mm) on each side of the fireplace door opening **(C)**.

Floor protection must be a continuous non-combustible surface such as ceramic, concrete board, brick or other equivalent material approved as floor protection.

If the ceramic is used, it must be placed on a continuous non-combustible panel to prevent spills from being brought into contact with the floor through cracks or gaps in the ceramic slurry. Alternatives approved by the local building code may also be used.

Do not leave carpets under the floor protection.



6.5.5 R Value

There are two ways to calculate the R-value of the floor protection. First, by adding the R-values of materials used, or by the conversion if the K factor and thickness of the floor protection are given.

To calculate the total R value from R values of the materials used, simply add the R-values of materials. If the result is equal to or greater than the R-value requirements, the combination is acceptable. R-values of some selected materials are shown below :

Table 2 : Thermal Characteristics of Common Floor Protection Materials¹⁷

MATERIAL	CONDUCTIVITY (K) PER INCH	RESISTANCE (R) PER INCH THICKNESS
Micore® 160	0.39	2.54
Micore® 300	0.49	2.06
Durock®	1.92	0.52
Hardibacker®	1.95	0.51
Hardibacker® 500	2.3	0.44
Wonderboard®	3.23	0.31
Cement mortar	5.00	0.2
Common brick	5.00	0.2
Face brick	9.00	0.11
Marble	14.3 – 20.00	0.07 – 0.05
Ceramic tile	12.5	0.008
Concrete	1.050	0.950
Mineral wool insulation	0.320	3.120
Limestone	6.5	0.153
Ceramic board (Fibremax)	0.450	2.2
Horizontal still air ¹⁹ (1/8" [3 mm] thick)	0.135	0.920 ¹⁸

Example:

Required floor protection R of 1.00. Proposed materials: four inches of brick and one inch of Durock® board.

$$\text{Four inches of brick (R} = 4 \times 0,2 = 0,8) \text{ plus 1 inch of Durock® (R} = 1 \times 0.52 = 0.52).$$

$$0.8 + 0.52 = 1.32.$$

This R value is larger than the required 1.00 and is therefore acceptable.

In the case of a known K and thickness of alternative materials to be used in combination, convert all K values to R by dividing the thickness of each material by its K value. Add R values of the proposed materials as shown in the previous example.

$$\begin{aligned} \text{Common brick K value} &= 5 \\ \text{Thickness} &= 4" \\ \text{R value} &= \text{Thickness/K} = 4/5 = 0.8 \end{aligned}$$

$$\begin{aligned} \text{Durock K value} &= 1.92 \\ \text{Thickness} &= 1" \\ \text{R value} &= \text{Thickness/K} = 1/1.92 = 0.52 \end{aligned}$$

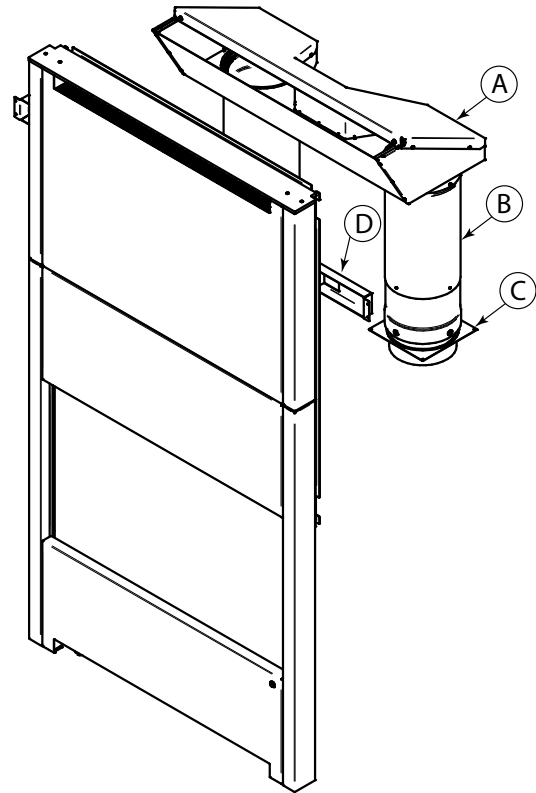
$$\text{Total R value} = .8 + 0.52 = 1.32$$

¹⁷ Information as reported by manufacturers and other resources

¹⁸ Horizontal still air can't be «stack» to accumulate R-values; each layer must be separated with another non-combustible material.

6.6 VA19FL06 mandatory long faceplate option installation

- Heat distribution box **(A)**;
- 2 Telescoping rigid double wall pipe of 8" **(B)**; (**Warning:** Do not use insulated flexible ducts)
- Anchor plates (preassembled on the fireplace) **(C)**;
- All screws are included.

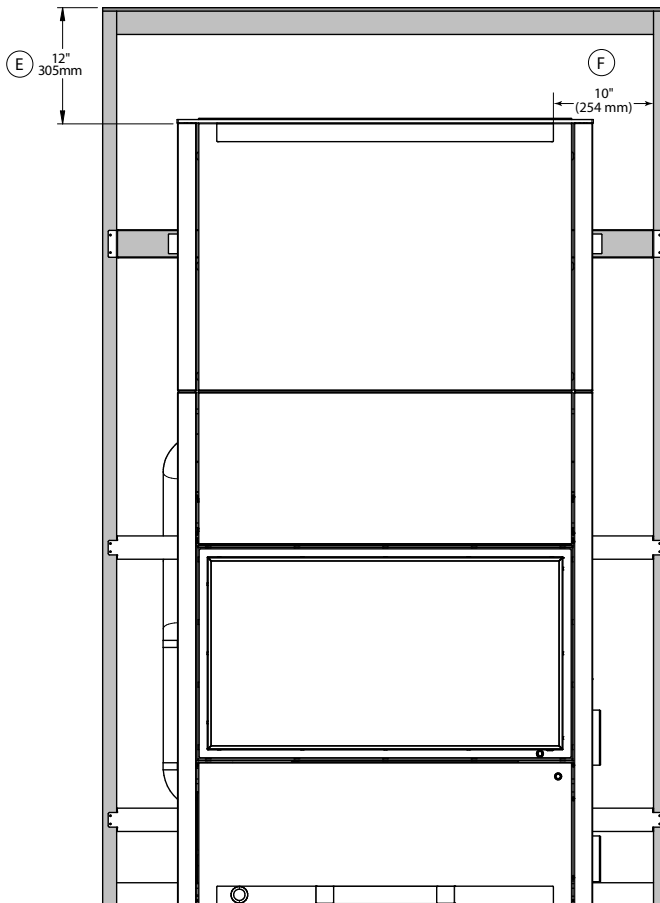


Supplied with the faceplate kit:

- Faceplate support **(D)**

It is not allowed to increase the height of the gravity air kit with the tall faceplate.

Framing



The heat distribution box is attached directly to the tall faceplate and the faceplate support. No framing is required to support the gravity air kit. The finishing material covering the remainder of the face must be made of non-combustible materials. See the Finishing section.

The drawing opposite shows the ceiling and combustible stud clearances around the box with the faceplate.

E : Minimum distance between the hot air outlet and the combustible ceiling (12" [305 mm])

F : Minimum distance between the hot air outlet and the combustible stud (10" [254 mm])

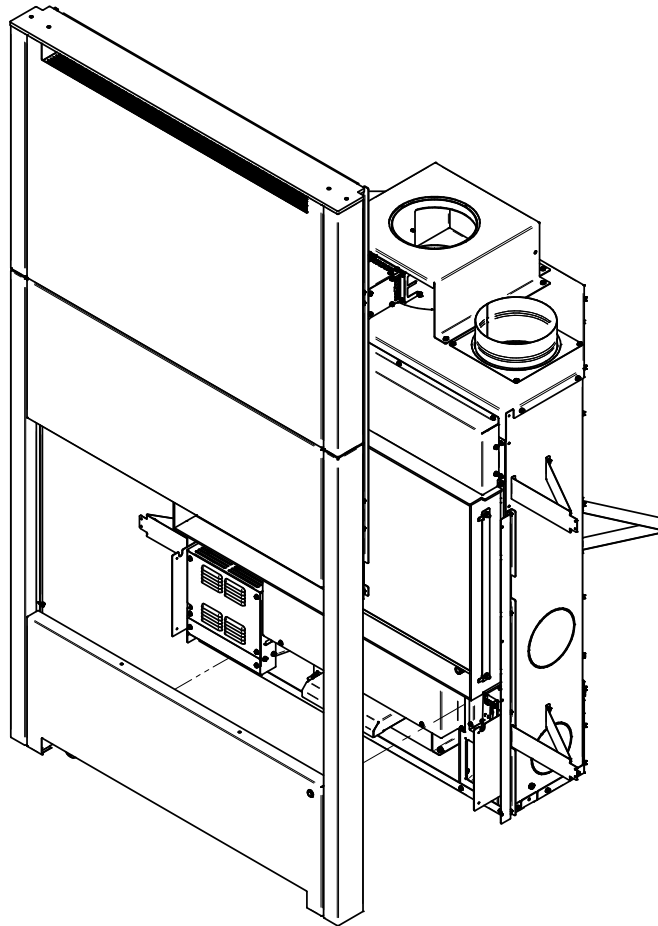
NOTE: The faceplate assembly instructions are provided with the option.

Safety Rules

- The minimum height of the hot air duct is 81" (2.1 m). It must be measured from the base of the fireplace to the base of the hot air outlets. ***With the VA19FL06 option, the height is already determined
- Do not connect the hot air ducts to a central heating system. The malfunction of the heating system would overheat the fireplace.
- Do not use insulated flexible ducts as they may overheat. Rigid double wall ducts supplied are mandatory.
- Do not use «T» fittings or anything other than those listed below.
- All ducts must be placed vertically. **Never route the ducting downwards.**
- The hot air outlets must be installed in the same room as the fireplace.
- When forced air kit is installed in conjunction with a gravity kit, the forced air device will draw some of the air from the gravity kit ducting, therefore reducing its efficiency (In Canada only).

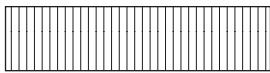
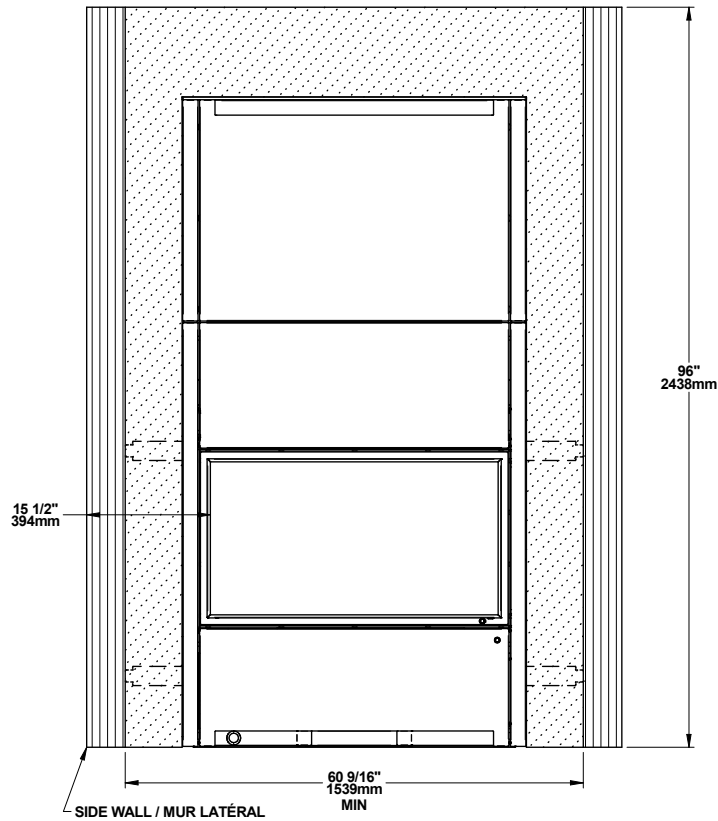
6.7 Faceplate installation (mandatory option)

A faceplate must be installed on this fireplace. See VA19FL06 instruction manual.

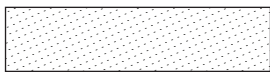


6.8 Facing

Non-combustible finishing materials such as brick or ceramic can be glued to the facade of the fireplace. Do not put a seal between the faceplate and the finishing material to facilitate the removal of the faceplate if necessary.



Combustibles materials allowed in this zone

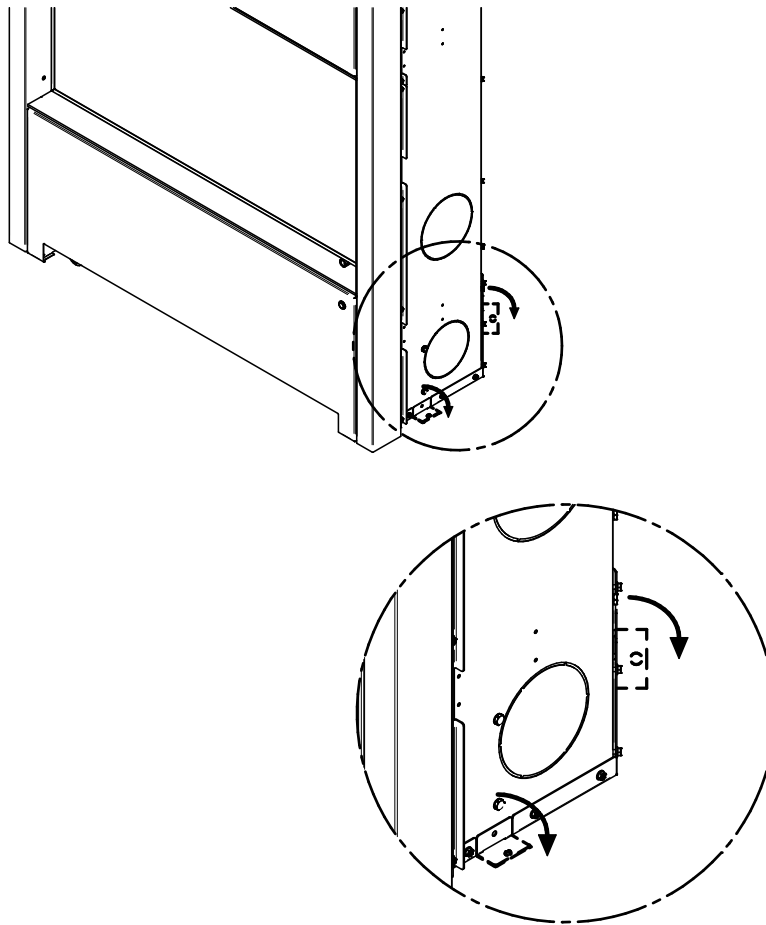


Non combustible material only in this zone

6.9 Mobile Home Installation

Installation permitted in a mobile home in Canada only.

Screw the fireplace on the floor with the proper hardware.



CAUTION

- Installation of this fireplace in a mobile home is permitted in Canada only. Do not install in a manufactured home in USA.
- **WARNING : DO NOT INSTALL IN THE SLEEPING ROOM OF A MOBILE HOME.**
- **THIS FIREPLACE MUST BE SECURED TO THE STRUCTURE OF THE MOBILE HOME.**
- **CAUTION : THE STRUCTURAL INTEGRITY OF THE MOBILE HOME FLOOR, WALL, CEILING AND ROOF MUST BE MAINTAINED.**
- **IT IS PROHIBITED TO USE THIS WOOD FIREPLACE WITH A FIRE SCREEN IN A MOBILE HOME.**

7. The Venting System

The venting system acts as the engine that drives the wood heating system. Even the best fireplace will not function safely and efficiently as intended if it is not connected to a suitable chimney. The heat in the flue gases that pass from the fireplace into the chimney is not waste heat. This heat is what the chimney uses to make the draft that draws in combustion air, keeps smoke inside the fireplace and safely vents exhaust to outside. Heat in the flue gas can be seen as the fuel the chimney uses to make draft.

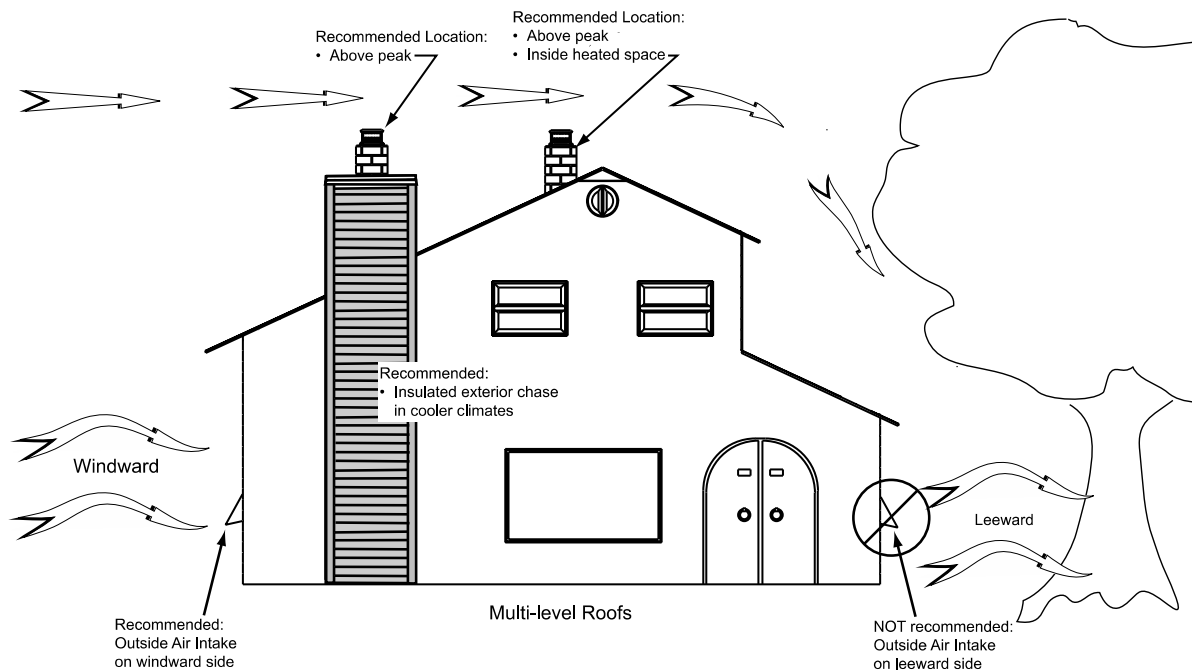
7.1 Location

The location of the chimney is crucial for the proper functioning of the appliance. The chimney should be installed within the house rather than up an outside wall and should rise straight up through the tallest part of the house. This installation benefits from being enclosed within the warm house environment, produce stronger draft, accumulate fewer creosote deposits and will be unaffected by cold temperatures or harsh winds.

The signs of bad system design are cold back drafting when there is no fire in the fireplace, slow kindling of new fires, and smoke roll-out when the door is open for loading. On the other hand, an excessive draft can make the fire uncontrollable, creating very high temperatures in the unit as well as in the chimney and seriously damaging them. A reddish glow on the unit and on the chimney components indicates overheating. Excessive temperatures can cause a chimney fire.

7.2 Supply of Combustion Air

The safest and most reliable supply of combustion air for a fireplace is from the room in which it is installed. Room air is already preheated so it will not chill the fire, and its availability is not affected by wind pressures on the house. The only case in which the fireplace may not have adequate access to combustion air is if the operation of a powerful exhaust device (such as a kitchen range exhaust) causes the pressure in the house to become negative relative to outdoors.



Using a fireplace can deplete the air supply for other fuel burning appliances of combustion. This can lead to incomplete combustion, backdrafting, poor appliance performance, fire risk and can diminish the indoor air quality. Ensure a proper ventilation and air intake for all fuel burning appliances.

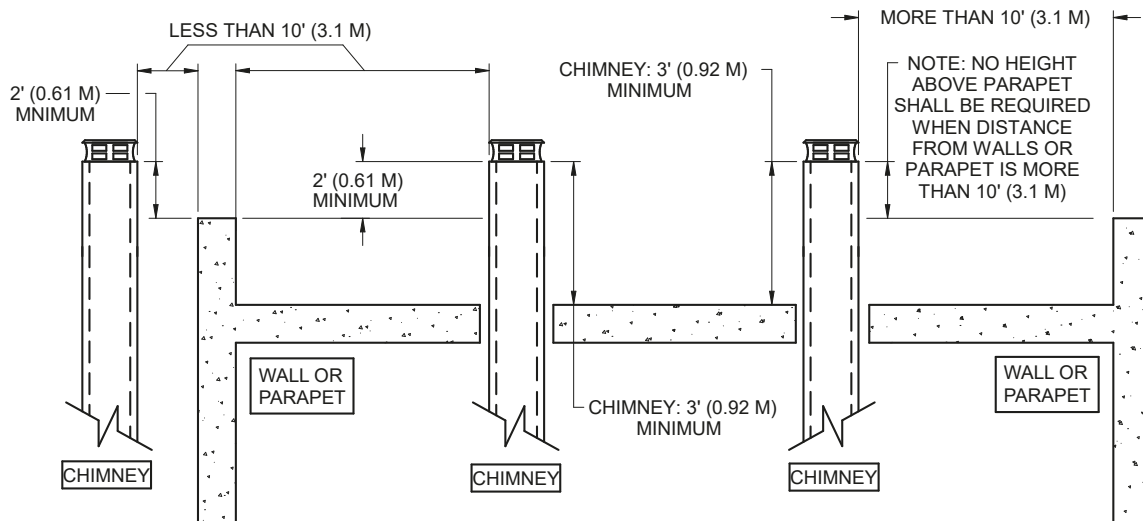
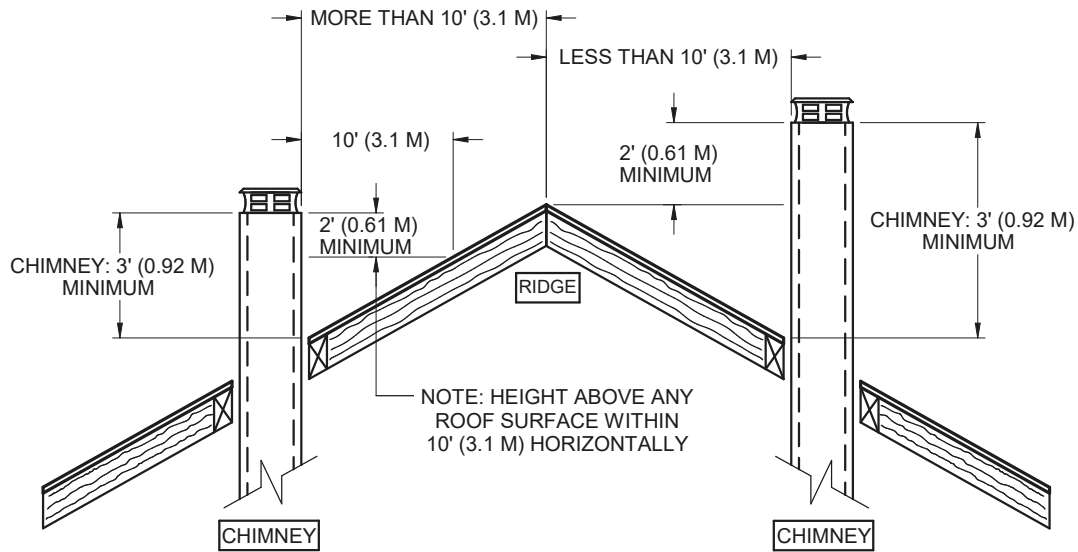
7.3 Chimney Installation

The chimney manufacturer's installation manual takes precedence over the following installation instructions. To ensure a safe installation, please refer to it. Some non-illustrated parts may be required.

7.3.1 General Advices

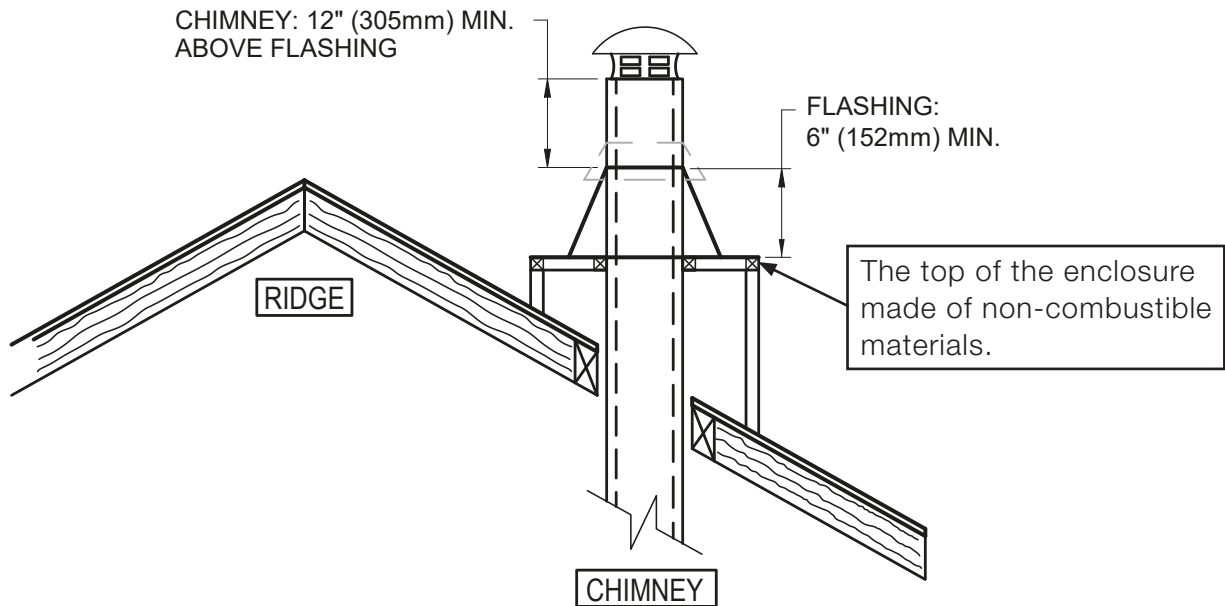
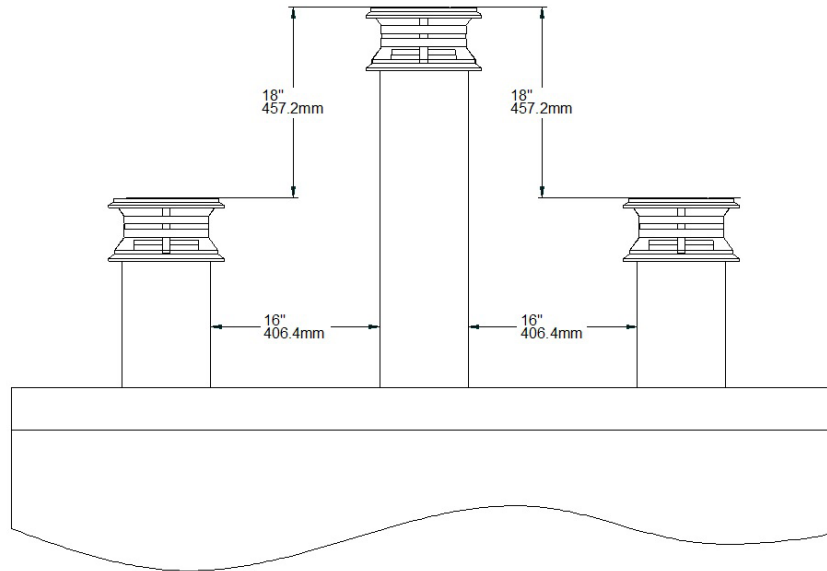
- This wood burning fireplace has optimum performance and efficiency when connected to a **chimney** with a **8" (203 mm) diameter flue**, only the chimneys listed in the "[Table 4 : Approved Chimneys](#)", [page 70](#) can be used.
- To insure a good draft, it is recommended to have a length of 18" (457 mm) from the top of the unit to the first offset. However, starting using a 30° or 45° (Canada Only) elbow is also approved.
- **A CHIMNEY VENTING A FIREPLACE SHALL NOT VENT ANY OTHER APPLIANCE.**
- The **minimum height of the chimney** system is **15 feet (4.6 m)** from the base of the appliance to the chimney cap. If only the minimum height of the chimney system is installed, the operating conditions must be optimal (interior chimney, minimum height of 18" (457 mm) before any deviation, etc.).
- The **maximum height of the chimney** system is **35 feet (10.7 m)** from the base of the appliance to the chimney cap.
- The **chimney** must have **at least one support**. The maximum chimney length that should be supported by the fireplace is 9 feet (2.74 m) for 2" (51 mm) Solid Pack chimney and 12 feet (3.7 m) for 1" (25,4 mm) Solid Pack chimney.
- The chimney must extend at least 3 ft. (0,92 m) above its point of contact with the roof and at least 2 ft. (0,61 m) higher than any wall, roof or building within 10 ft. (3.1 m) of it.

- **WARNING : IF THE CHIMNEY IS INSTALLED IN A CHASE, IT MUST EXCEED THE TOP OF IT BY AT LEAST 3 FEET (92 CM) IF IT'S MADE OF COMBUSTIBLE MATERIALS OR AT LEAST 1.5 FEET (46 CM) WHEN IT IS MADE OF NON-COMBUSTIBLE MATERIALS.**



- Avoid deviations as much as possible, especially the sharp ones. Each deviation adds restriction to the system and can lead to draft problems.
- If the chimney extends higher than 5 ft. (1.5 m) above its point of contact with the roof, it must be secured using a roof brace.
- A rain cap must be installed on top of the chimney.

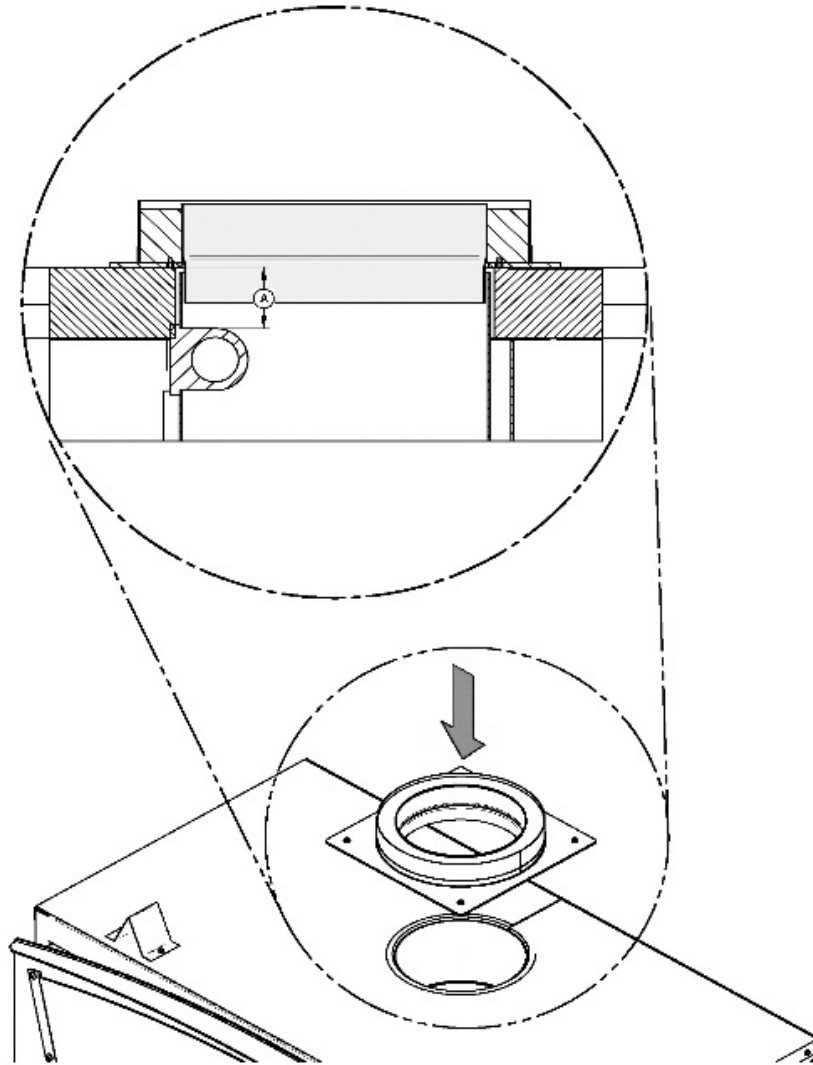
- For installations where more than one chimney is located in the same non-chase or within the same area, their terminations must be separated by at least 16" (406 mm) horizontally, and 18" (457 mm) vertically. This separation is to prevent smoke migrating from one chimney to another.



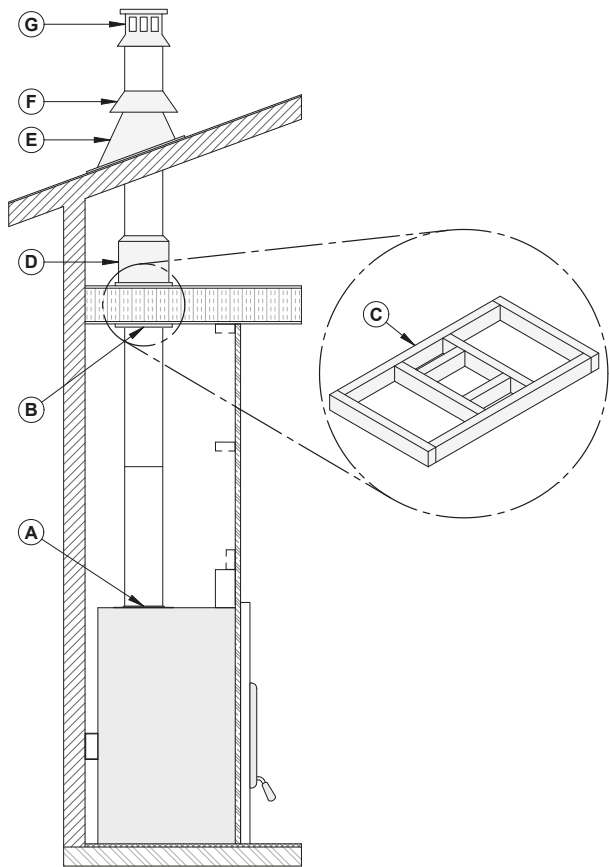
Note: The chimney chase on the roof must be the same size as the flashing.

- **WARNING: IF THE CHIMNEY IS INSTALLED IN AN ENCLOSURE ABOVE THE ROOF, IT MUST EXCEED THE TOP OF THE FLASHING CONE BY AT LEAST 12 INCHES (30 CM). THE FLASHING MUST HAVE A MINIMUM HEIGHT OF 6 INCHES (15.25CM). THE TOP OF THE ENCLOSURE MUST BE MADE OF NON-COMBUSTIBLE MATERIALS.**

- A clearance of 2" (51 mm) between the chimney and any combustible material is required. This space must remain free, without insulation or other combustible material. The parts of the chimney that pass into inhabited spaces must be enclosed in an enclosure.
- In all cases, the chimney must start with a 8" (203 mm) diameter anchor plate attached to the fireplace.
- If the male anchor plate nozzle exceeds 2" (51 mm) in length (**A**), it must be cut above the lifting hooks welded inside the flue outlet so that it is sitting perfectly on the top of the fireplace.



7.3.2 Ceiling Supported Installation



- A : Anchor plate
- B: Ceiling support
- C: Framing opening
- D: Attic insulation shield
- E: Roof flashing
- F: Storm collar
- G: Chimney cap

ENGLISH

1. Cut and frame square openings **(C)** in the ceiling, floor and roof where the chimney will pass. A 2" (51 mm) clearance must be maintained between the chimney and any combustible materials. The 2" (51 mm) space must remain empty, without insulation or any other combustible material. The size of the floor and ceiling holes must be in accordance with the chimney manufacturer's instructions.
2. From underneath the ceiling, install a ceiling support **(B)** in each floor where the chimney will pass. In the attic, install an attic radiation shield from above **(D)**.
3. Install an anchor plate **(A)** and a first chimney section on the fireplace. Install the number of chimney sections needed, making sure to lock each section in place.
4. When the desired height of the chimney is reached, install a roof support (not shown).
5. Put the roof flashing **(E)** in place and seal the joint between the roof and the flashing with roof sealant. For sloping roofs, place the flashing under the upper shingles and on top of the lower shingles. Nail the flashing to the roof, using roofing nails.

When a ventilated roof flashing is installed, precautions are to be taken not to caulk or seal the ventilating openings.

6. Place the storm collar **(F)** on the roof flashing and tighten it with the bolt. Seal the joint between the storm collar and the chimney, using silicone sealant.
7. Install the chimney cap **(G)**.

7.3.3 Offset Installation

1. Follow the instructions for a ceiling supported installation until the first elbow.
2. Install and turn the elbow in the right direction. Attach to the chimney using three ½" (13 mm) metal screws.
3. Install the appropriate number of chimney sections to obtain the necessary deviation. Secure the chimney sections together with three ½" (13 mm) screws. If the offset section has two or more chimney sections, a bracket must be installed. If the chimney go through a wall, install a wall thimble.
4. Install another elbow to bring the chimney back in a vertical position.
5. Continue the installation following the instructions of the ceiling supported installation.

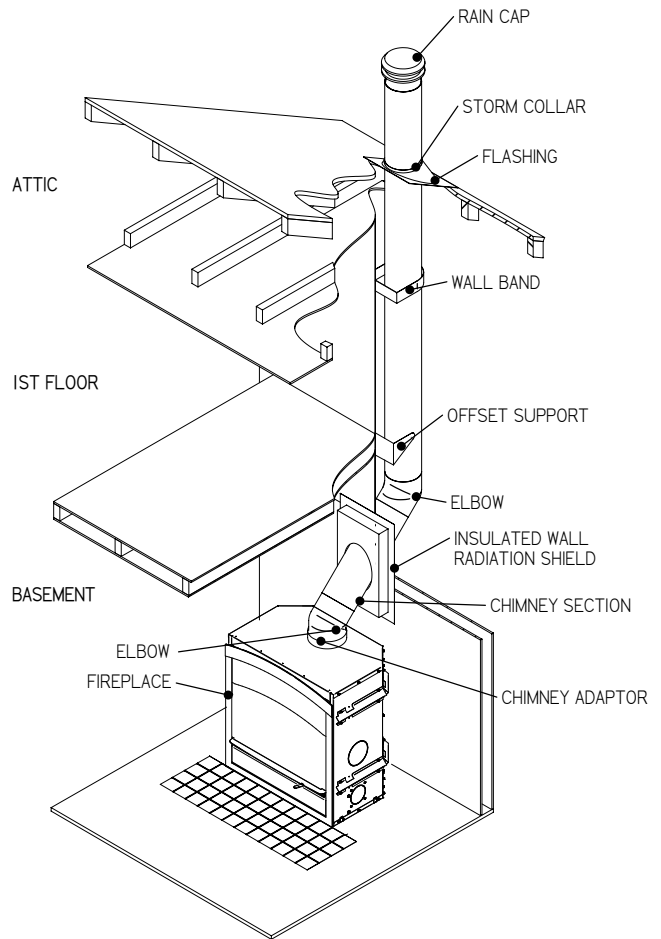


Table 3 : Minimum system height when using elbows

Chimney model	Please consult the specification manual for your fireplace
Vertical Installation	15 ft (4,6 m)
Two (2) elbows	15 ft (4,6 m)
Four (4) elbows	17 ft (5,2 m)

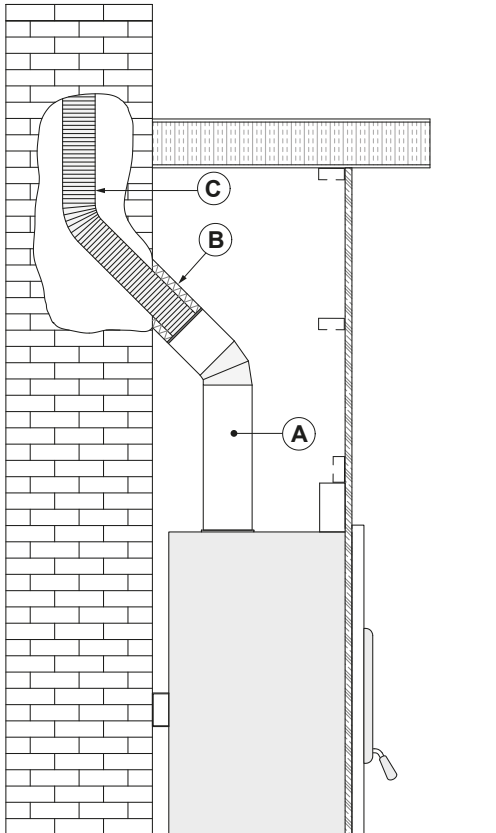
- A maximum of two deviations are permitted in a chimney. A maximum of 6 ft (1,82 m) of unsupported chimney between elbows is permitted. If it is longer than 6 ft (1,82 m), it will need to be supported every 6ft (1,82 m).

7.3.4 Masonry Chimney Installation

The masonry chimney must meet the minimum requirements of the local building code or equivalent for a safe installation. Contact a building inspector to learn about the requirements in the area.

Before starting the installation, the masonry chimney should be inspected for cracks, crumbling mortar, creosote layers, obstructions or other signs of deterioration. If signs of deterioration are noted, the chimney should be repaired and cleaned before installation.

ENGLISH



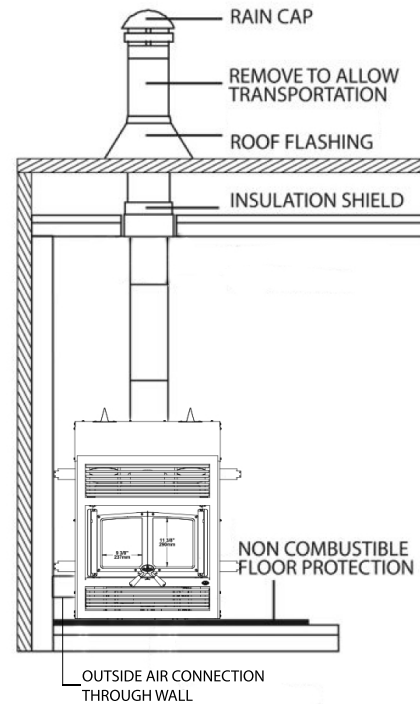
1. Position the fireplace in its location. Temporarily install the elbow or chimney section **(A)** on the top of the fireplace and, using a level, mark with an oval the location where the flue liner will enter the masonry chimney.
2. Mark where the flue will pass through the masonry chimney. Drill a hole in the masonry chimney to insert an insulated liner adapter **(B)**.
3. Lower the liner **(C)** into the chimney to the level of the hole.
4. Slide an insulated 45° or 30° liner adapter and connect it to the liner.
5. Seal the opening around the liner with high temperature refractory cement.
6. Then, follow the chimney manufacturer's instructions to connect the extended liner section to the special chimney connector.

The liner must extend at least 12" (30 cm) above the masonry chimney.

7.3.5 Factory-Built Metal Chimneys in Mobile Homes

For use in a mobile home, this fireplace is to be connected to a 8" (203 mm) factory built chimney pipe conforming to ULC-S629 standards for 650°C Factory-built chimney. The total length of the flue system should be at least 12 feet (3,65 m) including elbows, from the top of the fireplace.

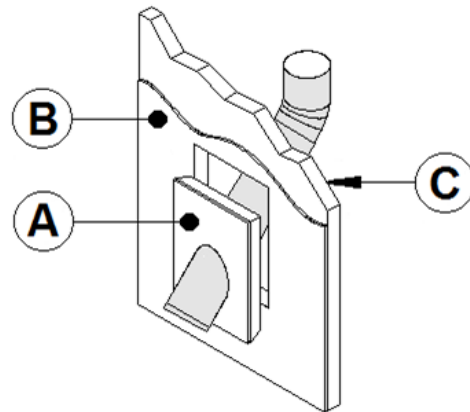
To maintain an effective vapour barrier, insulation and waterproof at the chimney and outside flue pipe, a roof flashing must be installed and sealed with silicone adhesive.



7.4 Angled Wall Pass-Thru Installation

When passing through a combustible wall with the chimney at a 30° or 45° angle (Canada only), an angled wall pass-thru must be installed. Follow the chimney manufacturer's installation instructions.

In cold climate locations, it is recommended to use the insulated wall pass-thru to maintain the home's thermal barrier.



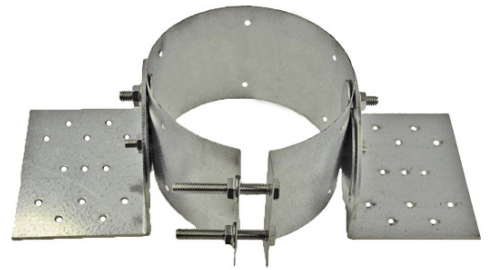
A	Wall pass-thru
B	Interior wall
C	Exterior wall

7.5 Chimney Support Installation

7.5.1 Roof Support

The universal roof support can be used on:

- a roof to support the chimney;
- a floor, ceiling, or roof over an offset to support the chimney or;
- as additional support.



Always follow the manufacturer's instructions for the maximum chimney height that can be supported by the support.

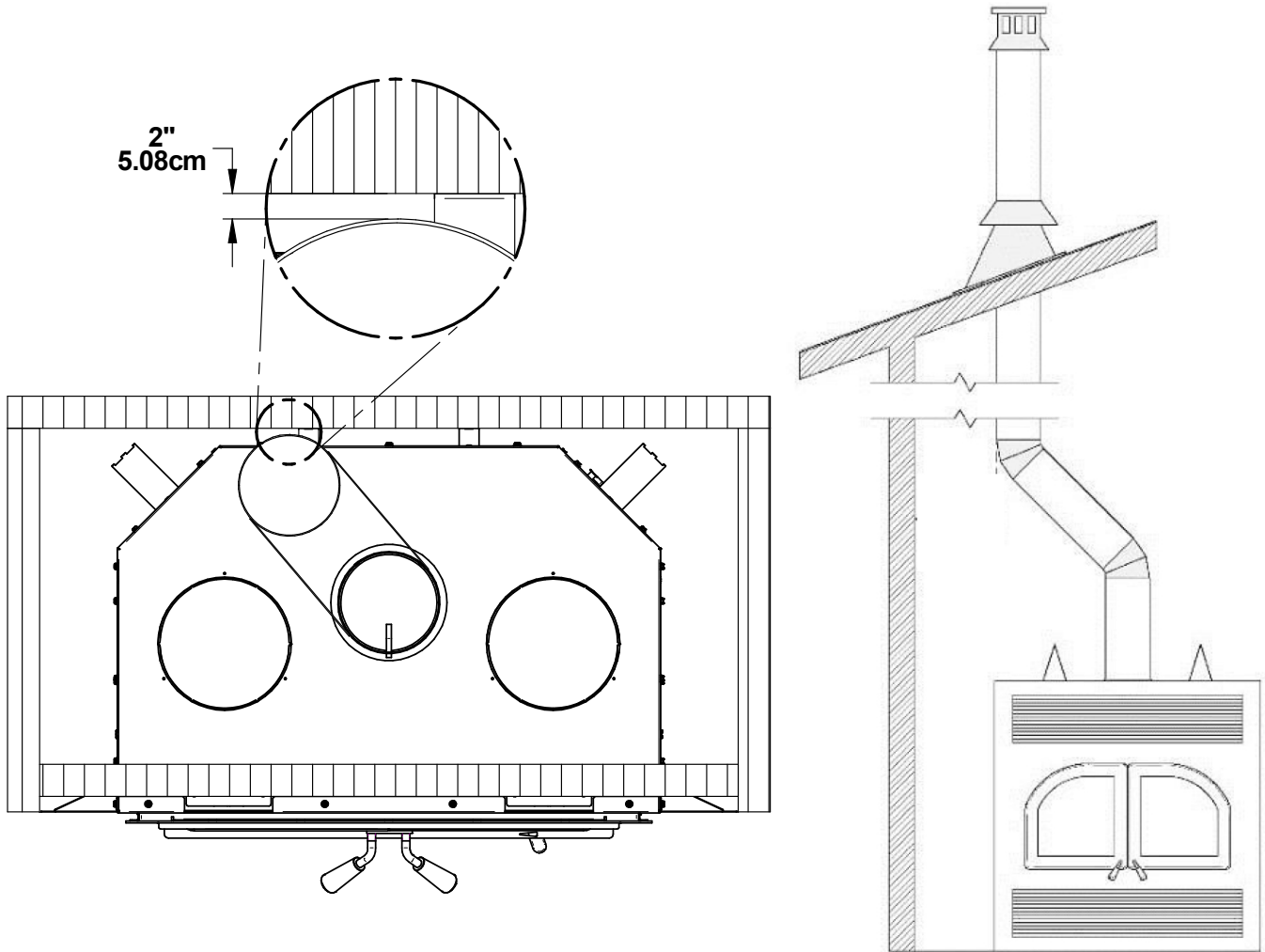
7.5.2 Offset Support

This support is used above a chimney offset. When the offset of the chimney pass through a wall, this support can be installed on the wall to support the chimney.



7.5.3 Offset chimney installation for a ceiling inside the chase of 96 inches (2,44 m) or more

It is permitted to offset the chimney when installing provided that the distance between the floor and the ceiling is 96 inches (2,44 m) or more. The offset towards the rear wall can be done 2" (51 mm) between the chimney and the rear wall. It is permitted to offset the chimney when installing the two elbows directly on the anchor plate.



7.6 Approved Chimneys

Table 4 : Approved Chimneys

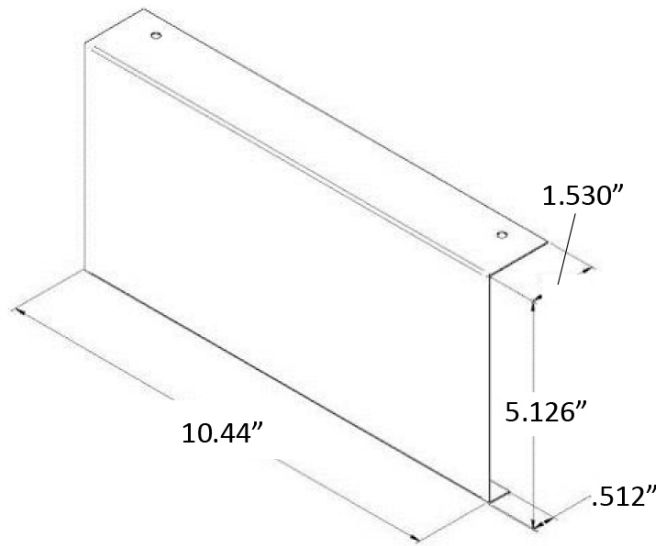
CHIMNEY MANUFACTURER	MODEL	TYPE	DIAMETER
Olympia Chimney SBI Division Venting	Ventis	1" Solid Pack	8" (20 cm)
SBI Division Venting	Nexvent	1" Solid Pack	8" (20 cm)
Olympia Chimney	Champion Chimney System	1" Solid Pack	8" (20 cm)
Olympia Chimney	Rockford Chimney Systems	1" Solid Pack	8" (20 cm)
Selkirk	Ultimate Plus	1" Solid Pack	8" (20 cm)
Selkirk	CF Sentinel (CF)	2" Solid Pack	8" (20 cm)
Selkirk	Super Pro 2100 (ALT)	2" Solid Pack	8" (20 cm)
Selkirk	Super Vent 2100 (JM)	2" Solid Pack	8" (20 cm)
Security Chimney	ASHT+	1" Solid Pack	8" (20 cm)
Security Chimney	S-2100+	2" Solid Pack	8" (20 cm)
DuraVent	Dura Tech	1" Solid Pack	8" (20 cm)
DuraVent	Dura Tech Canada DTC	1" Solid Pack	8" (20 cm)
DuraVent	DuraPlus HTC	2 "Solid Pack	8" (20 cm)
DuraVent	Dura Tech Premium	2" Solid Pack	8" (20 cm)
DuraVent	Dura Plus	AC Triple Wall	8" (20 cm)
Metal Fab	Temp Guard	1" Solid Pack	8" (20 cm)
American Metal	HSS	AC Triple Wall	8" (20 cm)
American Metal	HS	AC Triple Wall	8" (20 cm)

Table 5 : List of mandatory components

CHIMNEY MANUFACTURER	MANDATORY COMPONENTS	TYPE/MODEL
Olympia Chimney / SBI Venting Division	<ul style="list-style-type: none"> Ventilated roof flashing. 	1" Solid Pack : Ventis, Nexvent, Champion Chimney System, Rockford Chimney Systems
Security Chimney	<ul style="list-style-type: none"> Requires insulated attic radiation shield unless chimney is enclosed at the attic level. 	2" Solid Pack: S-2100+
DuraVent	<ul style="list-style-type: none"> Ventilated roof flashing. 	1" Solid Pack: Dura Tech, Dura Tech Canada DTC 2" Solid Pack: Dura Tech Premium
American Metal	<ul style="list-style-type: none"> Chimney cannot be enclosed at the attic level. 	AC Triple wall : HS AC Triple wall : HSS

7.6.1 Rafter protection

Rafter protectors, at the roof level, must be installed with this unit, if the chimney is enclosed at the attic level. Rafter protectors must be made of 22 ga or more galvanized steel and must have at least the dimension presented on the following diagram:



8. Product operation

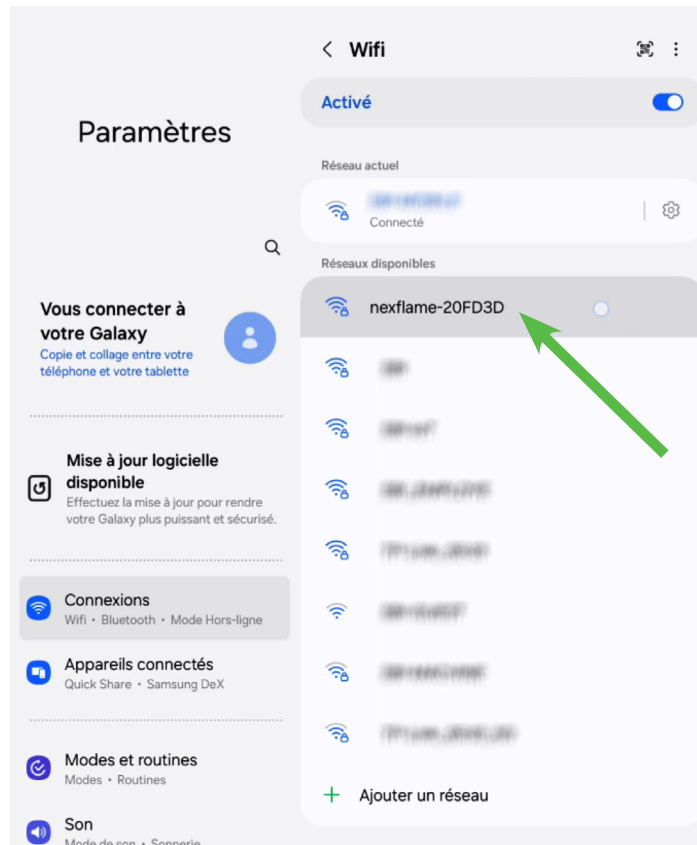
8.1 First Connection to the Web application

The following instructions explain how to set up the St-Louis Fireplace Web app on your phone.

1. Go to your phone's Settings.



2. Go to Wi-Fi and select **Nexflame-XXXXXX** in **Others Networks**. The letters and numbers following “nexflame” are unique to each fireplace. Simply look for the connection starting with “nexflame.” (This connection is an access point generated by your fireplace).



3. Enter the password (**nexflame**) and click Connect.
4. Your device is now connected to the stove's network. Internet access will not be available while connected.

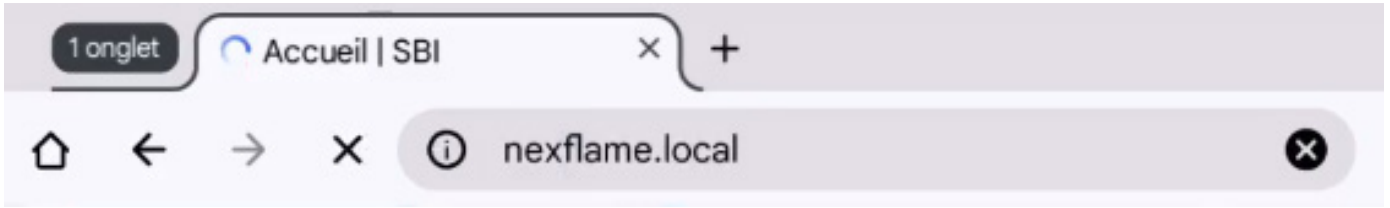
If your mobile device asks whether you want to connect to this network without Internet access, choose Connect this time only.



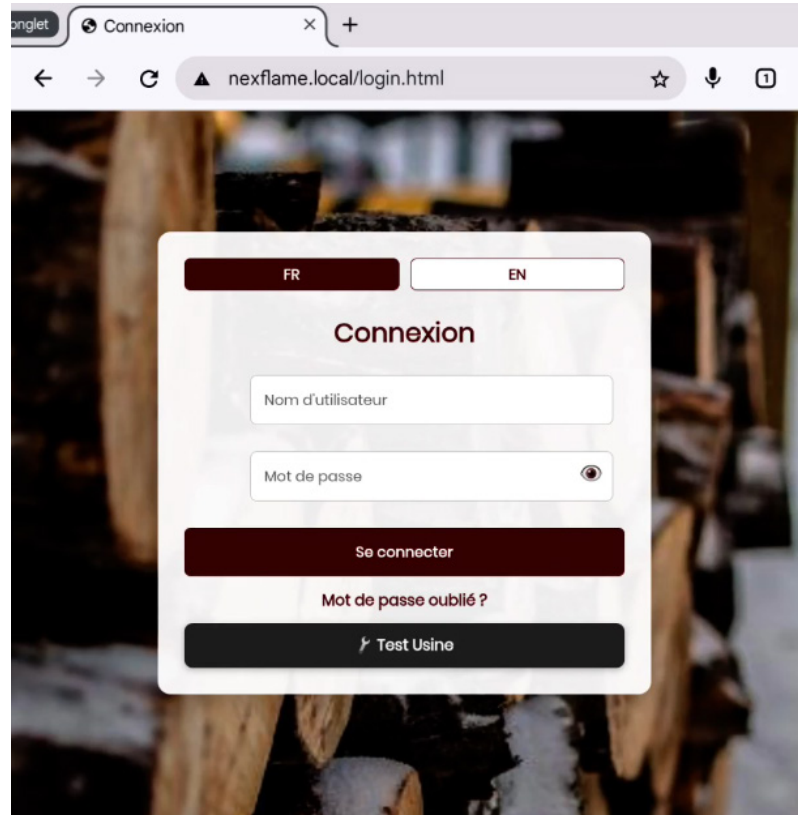
5. Exit the Settings menu and open your web browser.



6. Enter the following address in the search bar: **nexflame.local**

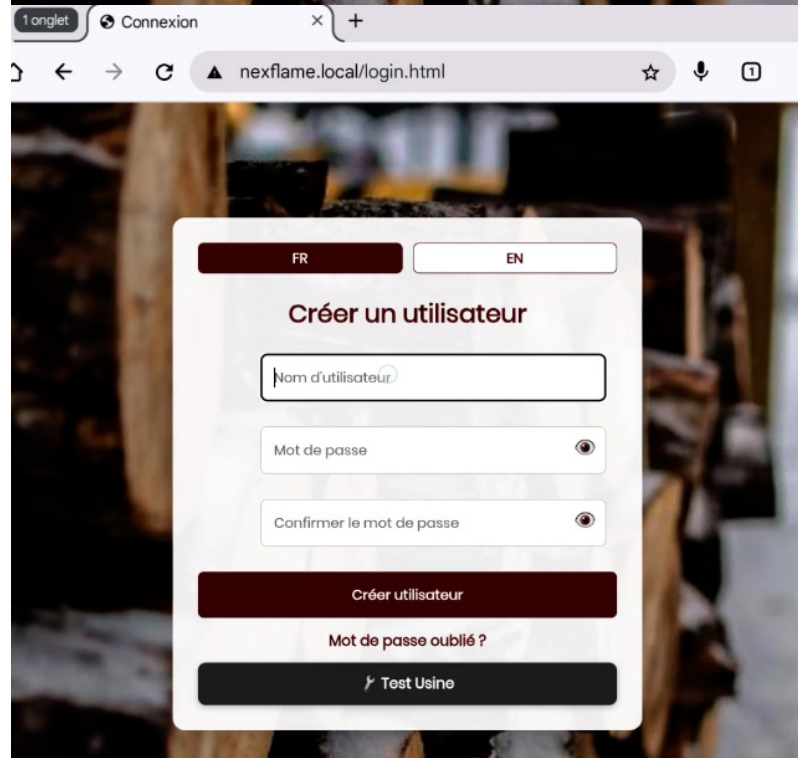


7. Click on **Forgot password?**.

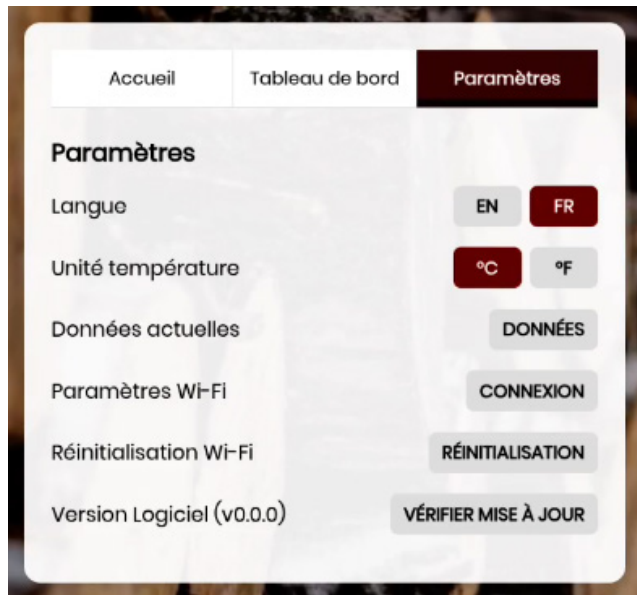
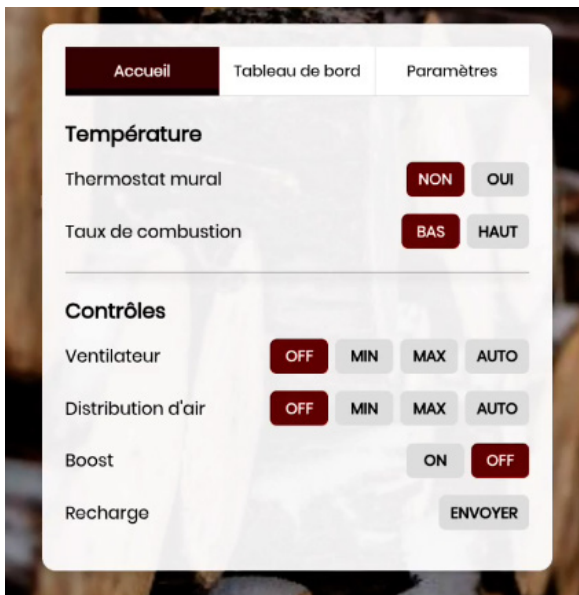


8. Enter a **Username** and a **Password**.
Click on **Create user**.

(The password must be between 8 and 24 characters long and include at least one uppercase letter, one lowercase letter, and one number.)

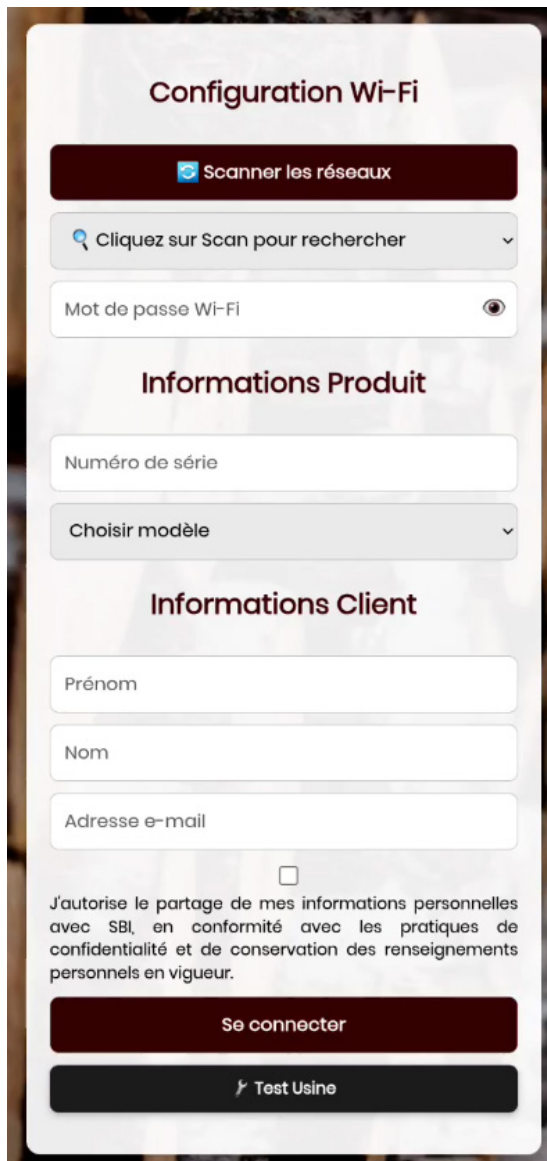


9. The following menu appears. Click on **Settings**, then **Connection**.

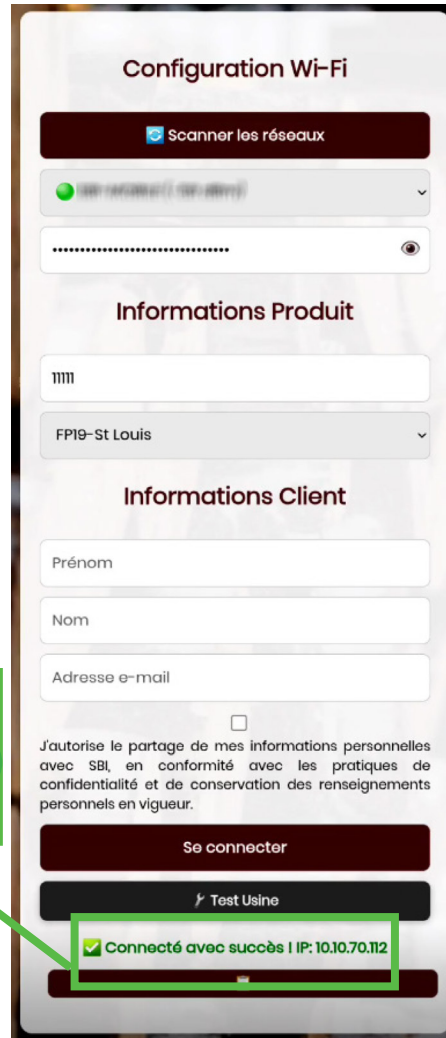
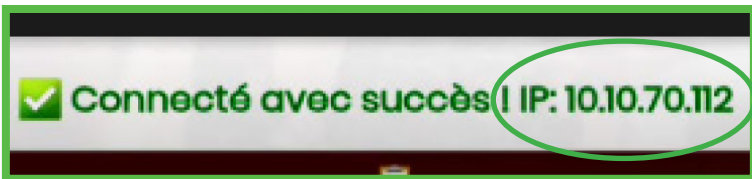


10. Click the **"Scan Networks"** button. From the drop-down menu, select your WiFi.

11. Enter your Wi-Fi password, the serial number of your fireplace, and the model name of your fireplace. To improve your service experience, we encourage you to enter your first name, last name, and email address (optional). Check the box to consent to sharing your personal information, then click "Connect."



12. A green message will appear below the Connect button, confirming that the connection was successful and showing the IP address. **Note the IP address.** You can also click the button below the green message to copy the IP address.

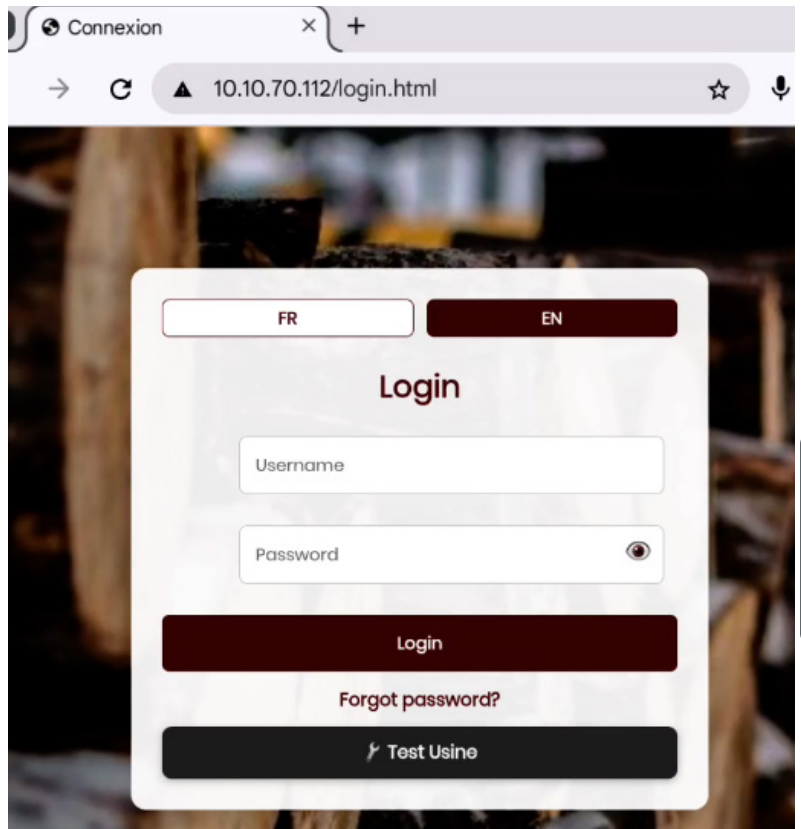


13. At this point, the Nexflame-XXXX access point will disappear and your fireplace will connect to your residential Wi-Fi router. Consequently, your phone will disconnect from Nexflame-XXXX and should reconnect to the same residential Wi-Fi network. In that case, simply wait and your web browser will automatically be redirected to the new IP address of your connected fireplace.

If the redirection does not occur, manually switch your phone's Wi-Fi connection to the same network as the fireplace and enter the IP address into the search bar of your web browser.

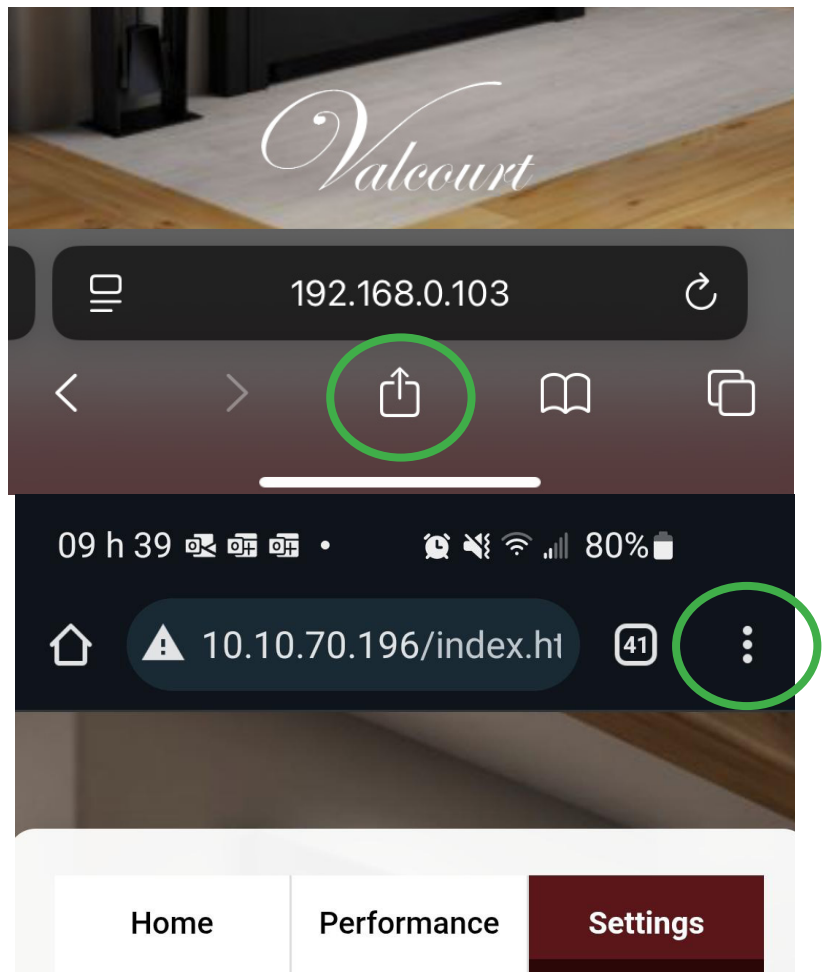
14. Enter the IP address in your web browser's address bar.

15. Enter the login information you created in Step 7.



16. You can then save it to your home page for easy access.

17. Click the share icon on iOS devices or the three vertical dots on Android devices, then select "Add to Home Screen".



8.2 How to Use the Web App

1. You need to connect using a personal username and password.

Note: Every mobile device in the house can access the IP address, but they must all use the same username and password.

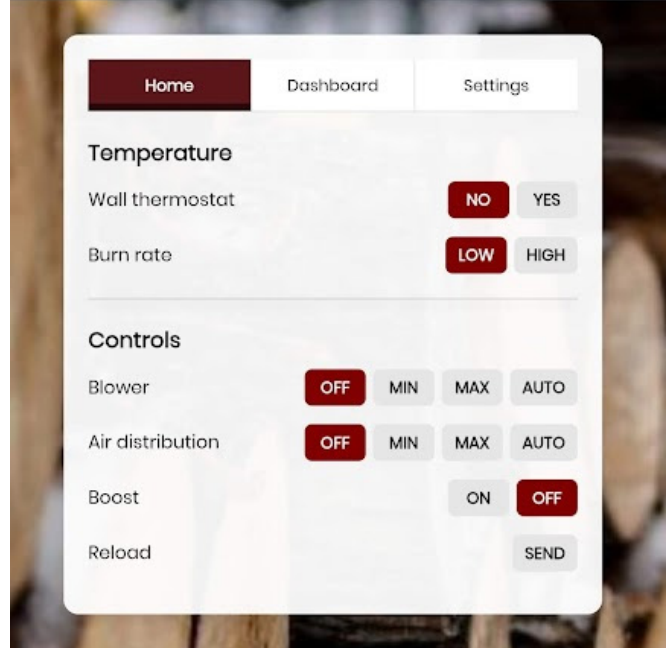
If you lose your username or password, simply click the “Forgot Password” button.

2. When you log in, you are directed to the Home page.

3. Temperature Section:

- a. If a millivolt wall thermostat is installed and connected to the fireplace, select YES under Wall Thermostat. In this case, the thermostat will automatically increase or decrease the burn rate depending on the call for heat. The Burn Rate section will be grayed out because you no longer have manual control of the burn rate when using the wall thermostat.

- b. If no wall thermostat is installed, the burn rate can be controlled manually by adjusting the Burn Rate from low to high.



Note: This wood heater automatically regulates combustion to achieve the cleanest burn possible. The burn rate setting is not a fixed air opening. The air opening will constantly adjust to maintain either the highest or lowest burn rate while ensuring clean and efficient combustion.

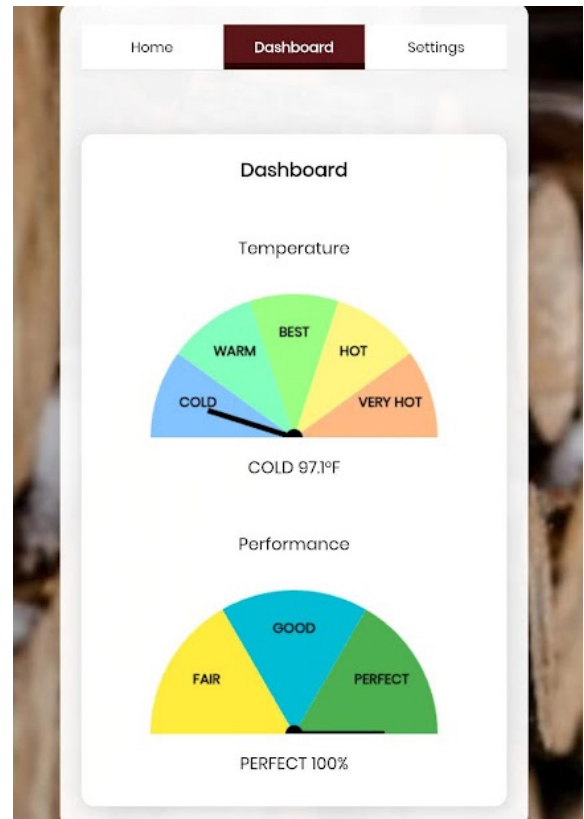
4. Control Section:

- a. Blowers: This section allows you to turn the blowers ON. MIN is the lowest speed and MAX is the highest speed. When using AUTO, the blower will start automatically at minimum speed once the firebox is warm enough. If the temperature rises further, it will switch to maximum speed. After the unit cools down, the blower will automatically turn OFF.

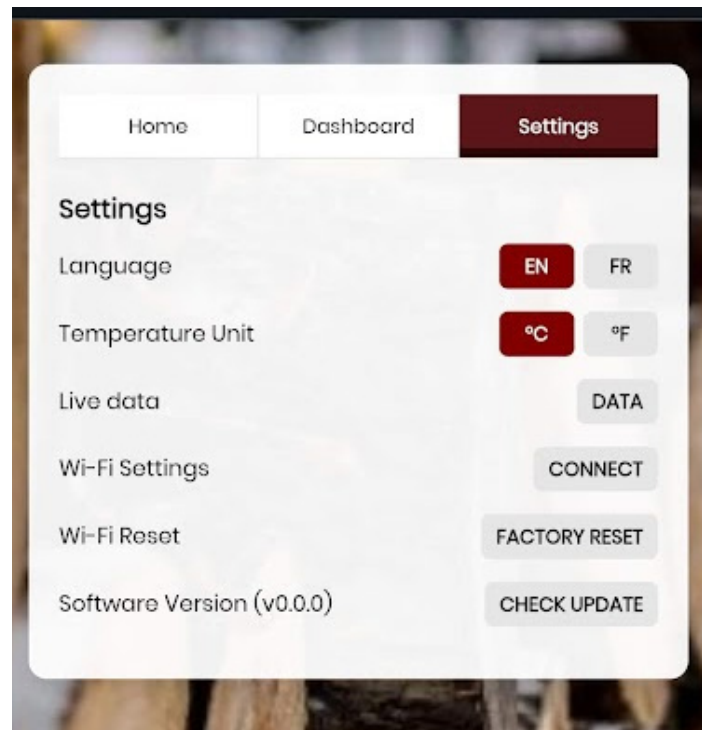
- b. Boost: The Boost feature temporarily increases combustion. The sequence lasts for one minute only. This function will not operate if the firebox has reached an over-temperature condition.

- c. Reload: This button functions the same as pressing the physical button once on the unit. It restarts the combustion sequence from the beginning and should be used when new wood has been added to the firebox.

5. Dashboard:
- Temperature Gauge: Indicates the current temperature status of the fireplace, showing whether it is Cold, Warm, Best Temperature, Hot or Very Hot.
 - Performance Gauge: Shows the current performance level of the fireplace.



6. Settings Page:
- Language can be set to French or English.
 - Temperature units can be set to Celsius or Fahrenheit.
 - Data: Displays a table with useful information to understand what is happening in the fireplace.
 - Wi-Fi Settings: Allows you to connect the fireplace to your residential router and to consent to sharing data with the manufacturer (useful for troubleshooting).
 - Reset Wi-Fi: Use this option if you plan to change your router or internet service provider.



- f. Software Version: Displays the currently installed software version.
- i. If the version is v0.0.0, it means the fireplace is not connected to the internet.
 - ii. By clicking the Check Update button, both the current and previous software versions will be displayed. Make sure to update to the latest version.
 - iii. When installing a new version, a spinner will appear on the screen. After a few seconds, a countdown from 100 to 0 will begin. At the end, both the web app and the fireplace will restart. The IP address should remain the same, and you should be able to access the page as normal.

Note: If you can no longer access the IP address, check whether the access point “Nexflame-XXXX” is available. If it is, restart the initial connection process as described in Section XXXX of this manual.

8.3 Blower operation (Bidirectional)



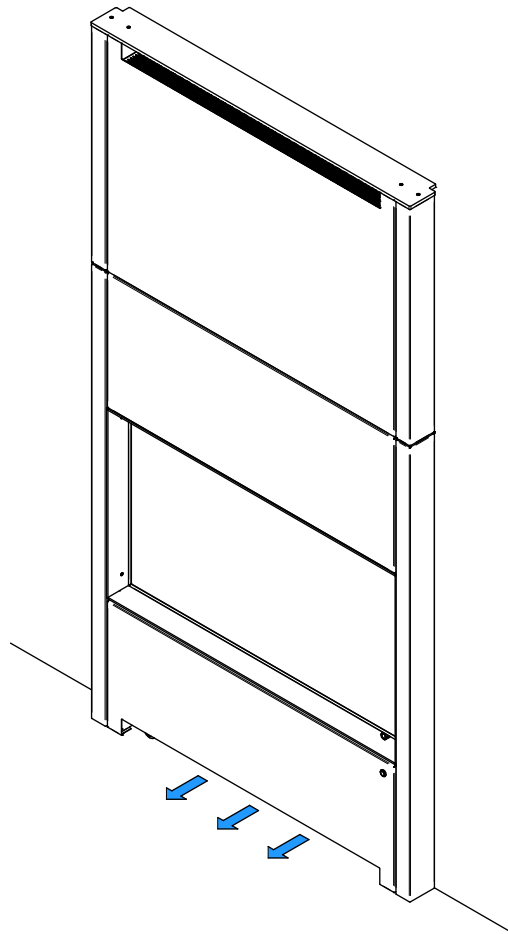
WARNING

To avoid serious shock or electrocution, always **TURN OFF** the power at the electrical panel before touching any wiring.

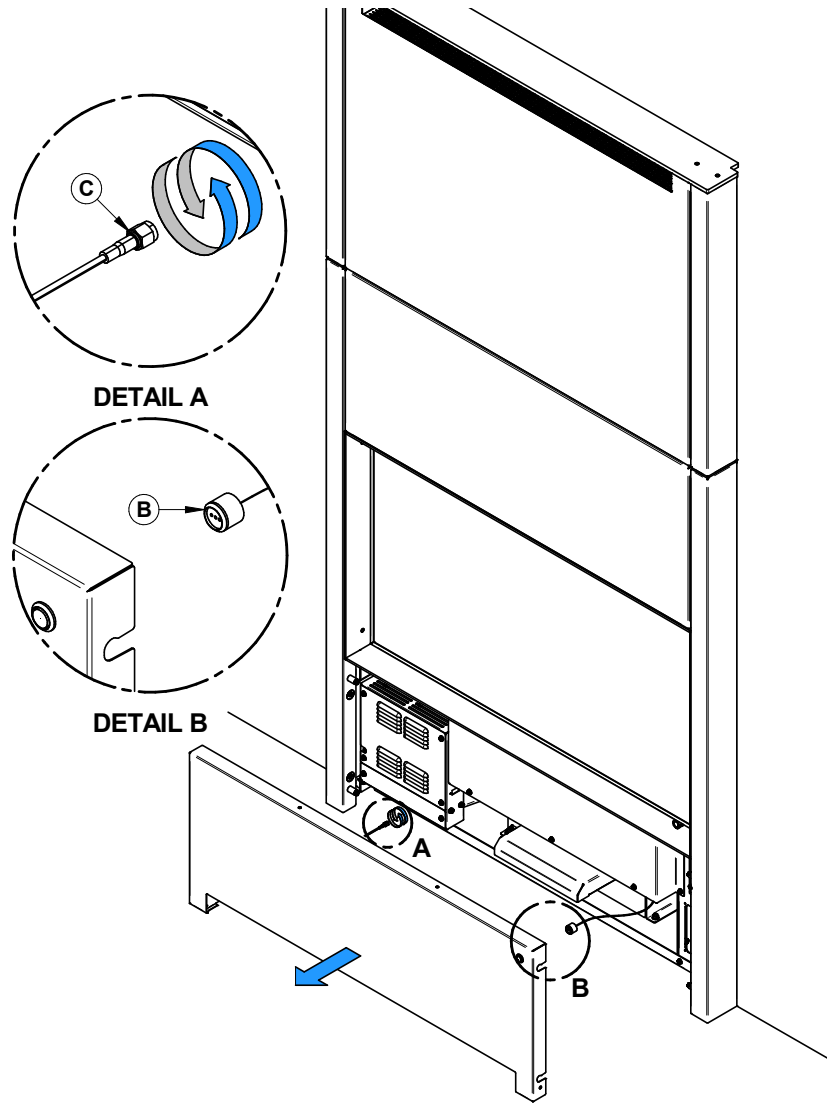
WARNING :

- **THE BLOWER STOPS WHEN THE DOOR IS OPENED. IT RESTARTS 30 SECONDS AFTER THE DOOR IS CLOSED AGAIN. IT IS THEREFORE IMPORTANT TO REMOVE ANY EMBERS THAT MAY HAVE FALLEN WHEN THE DOOR IS OPENING.**

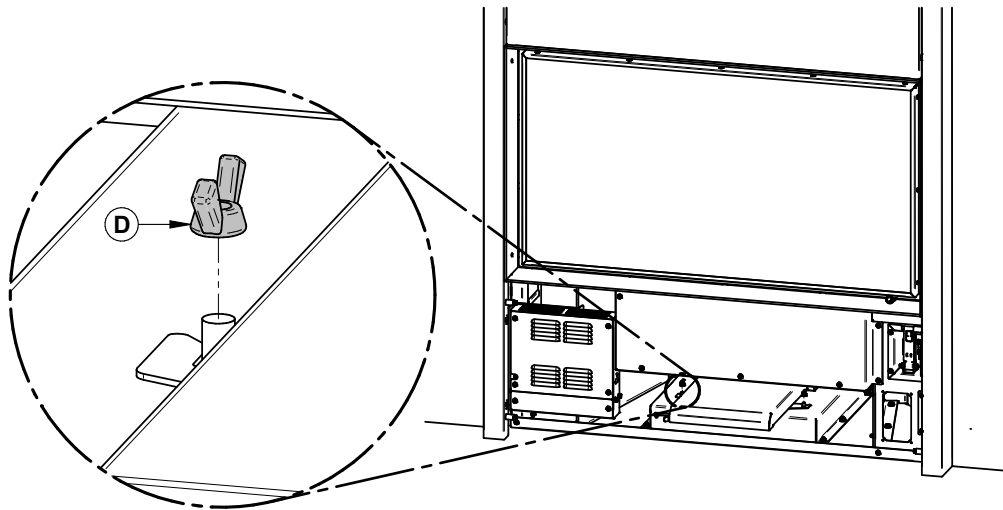
As standard, the blower is installed to blow the air in the room downward. To push air out the top opening, continue with the steps on the next page.



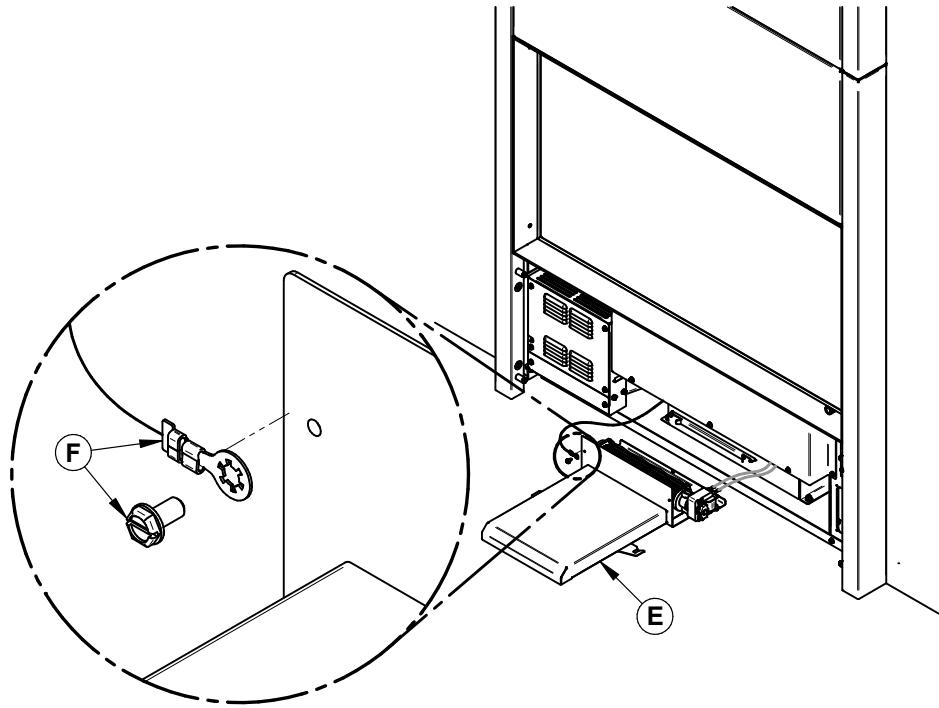
1. To allow air to circulate through the gravity air distribution system located at the top of the faceplate, the fan needs to be rotated. First, make sure the power is turned off. Remove the bottom panel **(A)** carefully, paying attention to the wires connected to the other side. Disconnect the wires **(B)** connected to the button, then unscrew the antenna connector **(C)**. The bottom panel **(A)** can now be set aside.



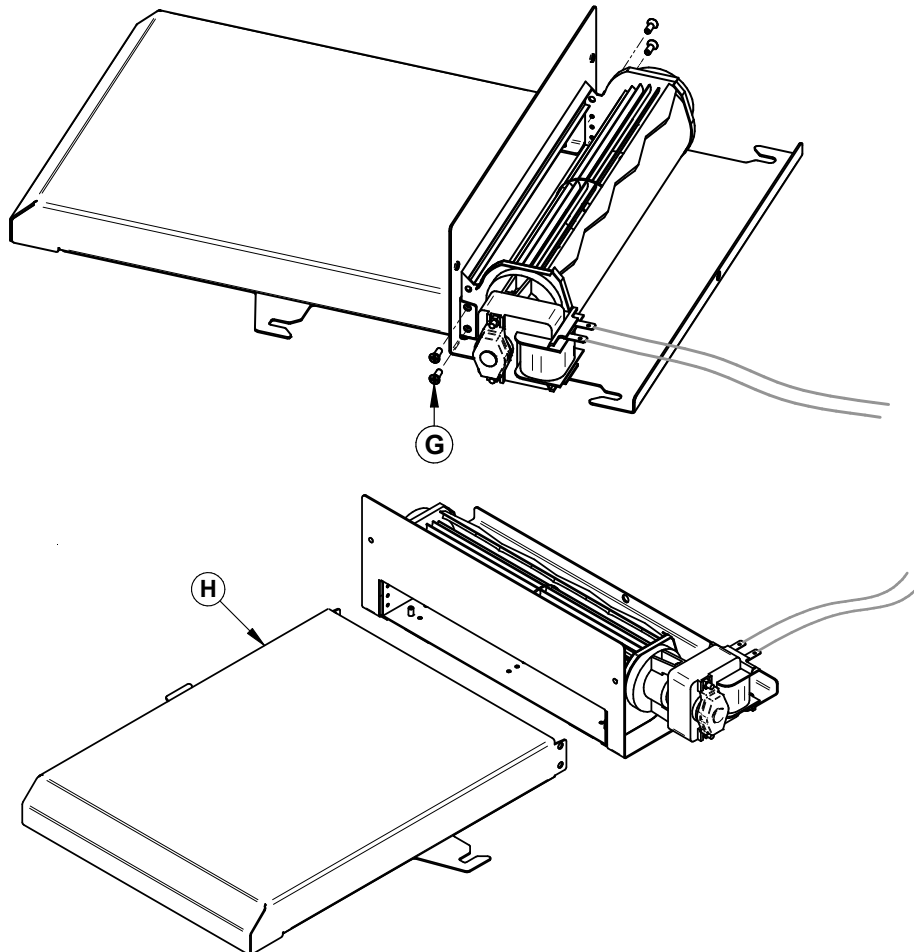
2. Unscrew the 2 wing nuts (**D**).



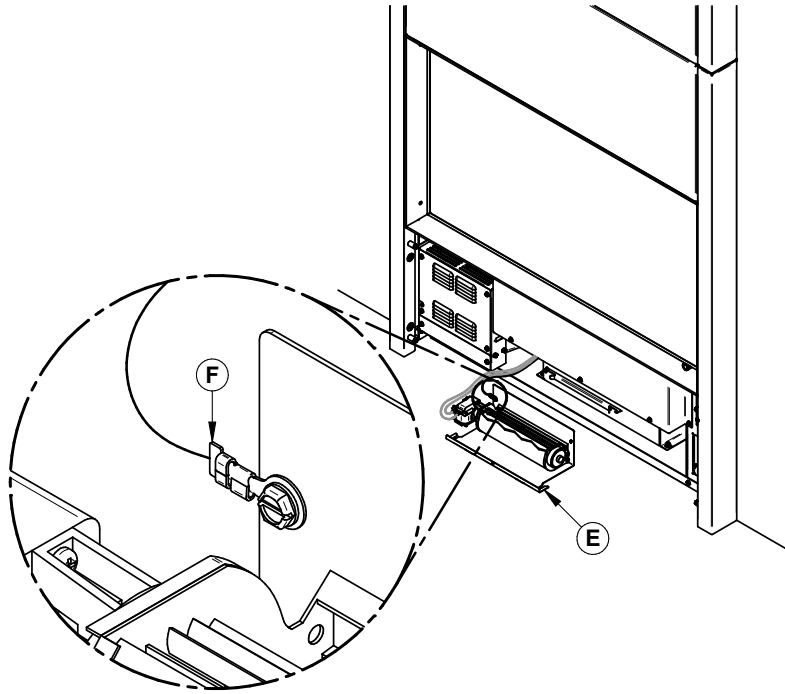
3. Remove the blower (**E**) and remove the ground (**F**).



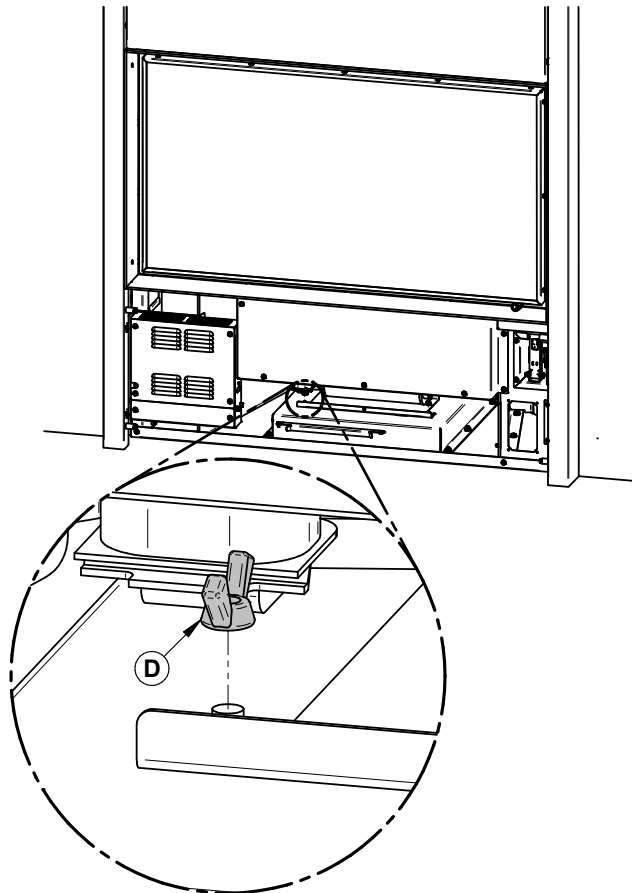
4. Unscrew the 4 screws **(G)**, on each side of the blower and remove the air duct **(H)** in the back. *** For the next steps, the air duct **(H)** is obsolete, but should be kept to return to the initial position.



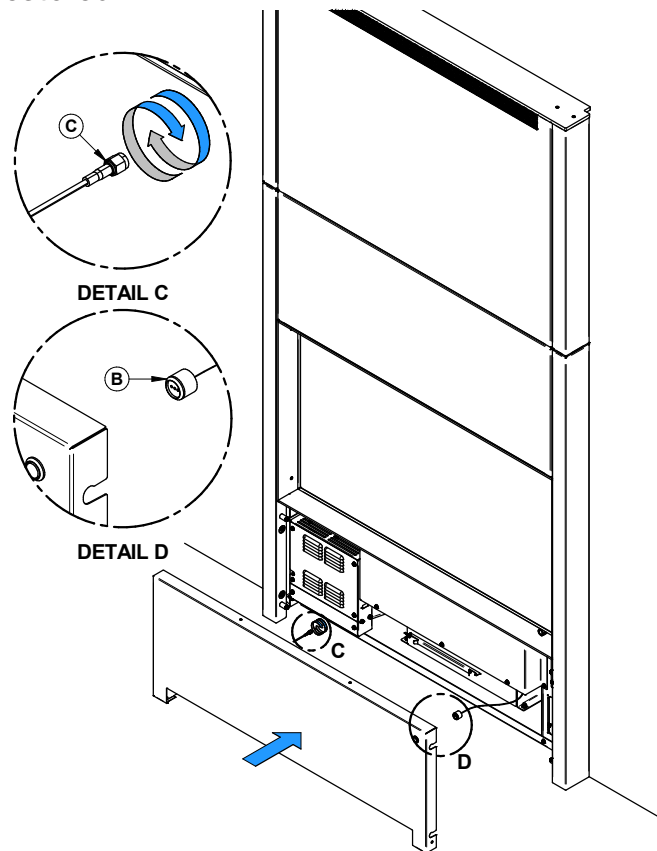
- Turn the blower **(E)**, as indicated on the image below. Replace the ground **(F)** previously removed.



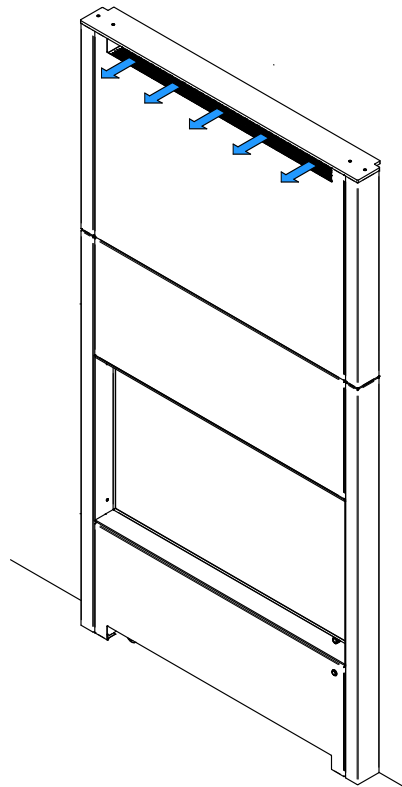
- Screw the 2 wing nuts **(D)** while maintaining pressure on the blower to position it properly against the plate a little further in the product.



7. Move the bottom panel **(A)** closer to reconnect the wire **(B)** to the button and screw the antenna connector **(C)** back into place. Replace the bottom panel **(A)**. The air will now escape through the gravity air distribution system located at the top of the faceplate. The power can now be restored.

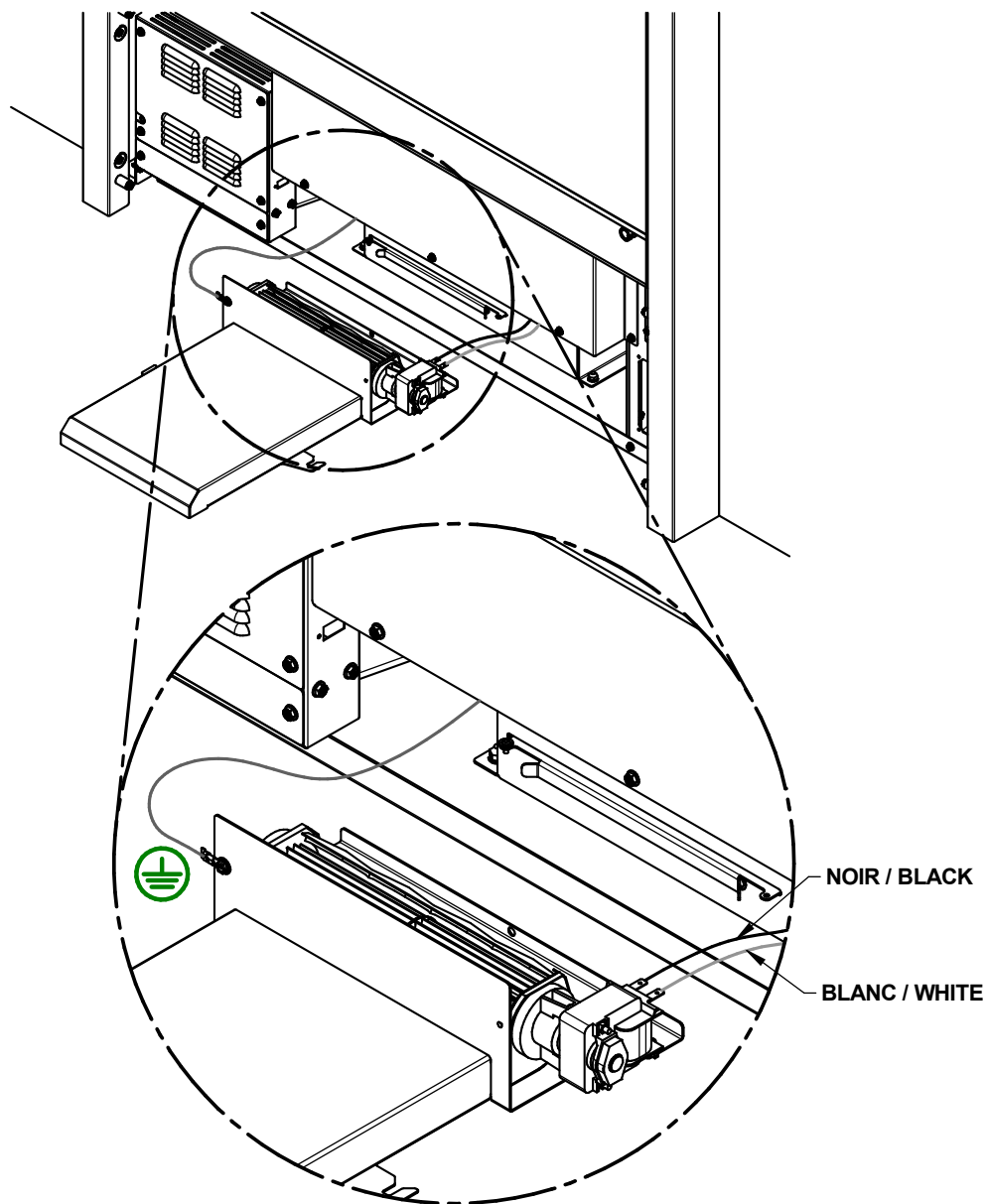


Note that, when positioned in this direction, the blower helps the natural convection of hot air escape through the grid located at the top of the faceplate. The airflow produced by the blower is then much less noticeable.



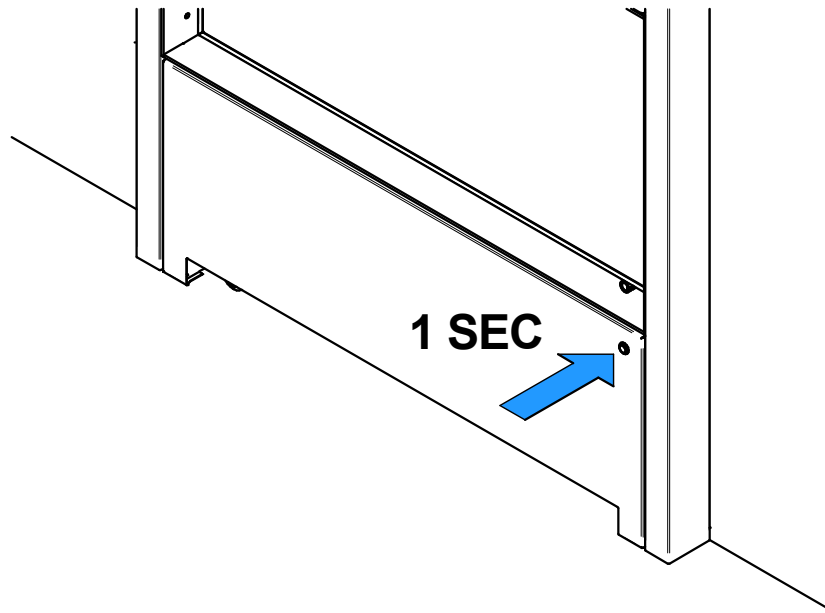
Blower Connection

The wiring should be done by a qualified electrician. The ground (green or skinned wire) must be attached to the fireplace metal frame.



8.4 Button functionality

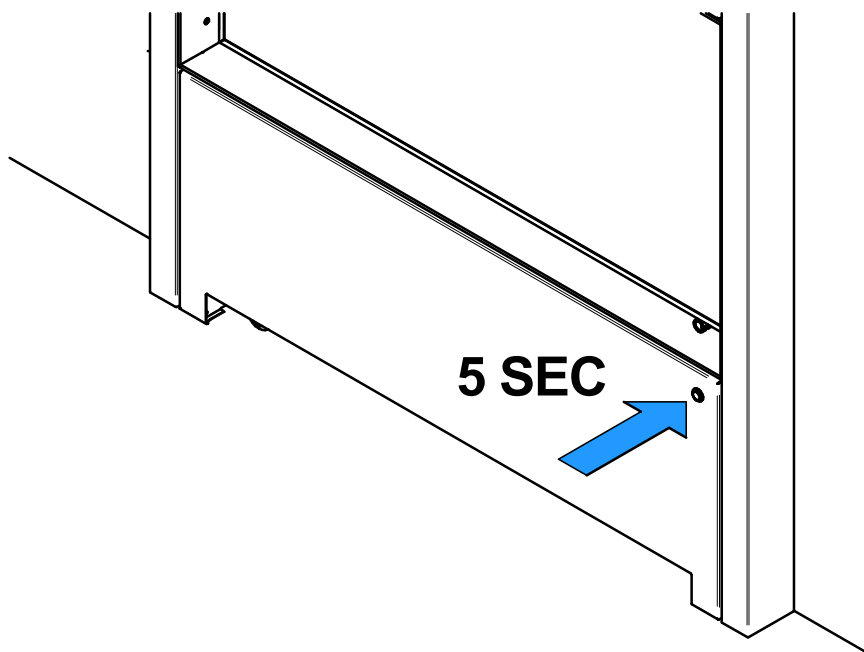
1. RELOAD - To reload, press the button 1 second only, the light will blink fast 3 times.



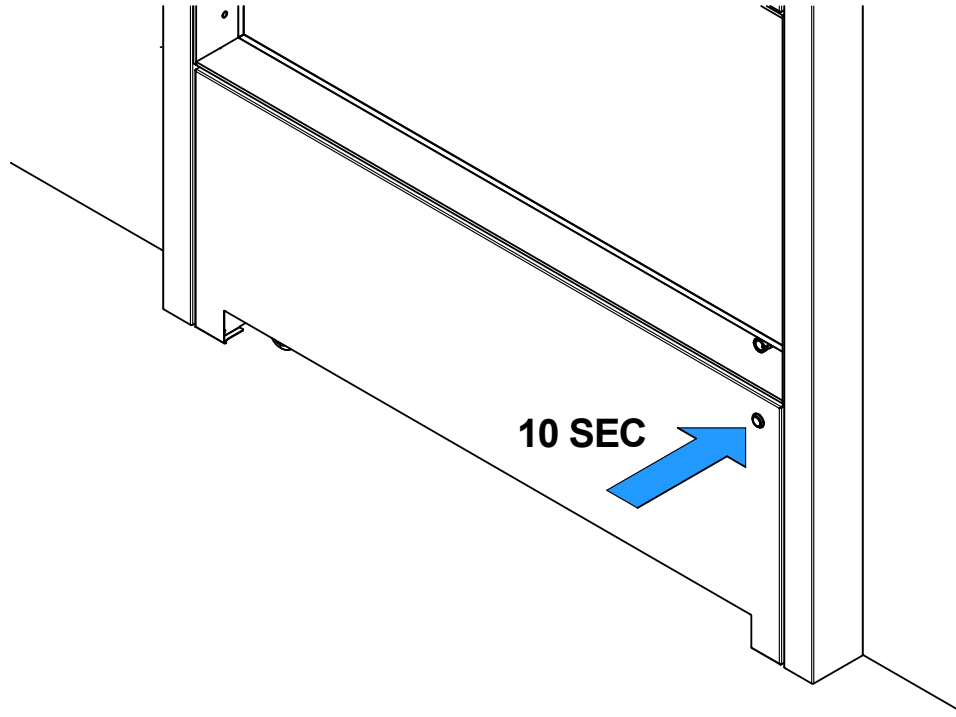
2. BLOWER - If you don't have access to the web app, you can turn off the blowers by performing a long press on the button. If the blowers are in AUTO mode, press and hold the button for 5 seconds until the light starts to blink, then release. The button light will then blink slowly 3 times, and the blowers will turn off.

Conversely, if the blowers are off, repeat the long press sequence, and the blowers will turn on at low speed.

Use the app to return the blowers to AUTO mode.



3. WIFI - If you lose the IP address of your fireplace, or if the IP address changes due to the addition of another internet-connected device to your residential network, you may need to reset your Wi-Fi connection. To reset the connection to your residential Wi-Fi network, press and hold the button. The light will blink after 5 seconds, but continue holding for an additional 5 seconds until it blinks again, then release. The access point Nexflame-XXXXX will reappear.



ENGLISH

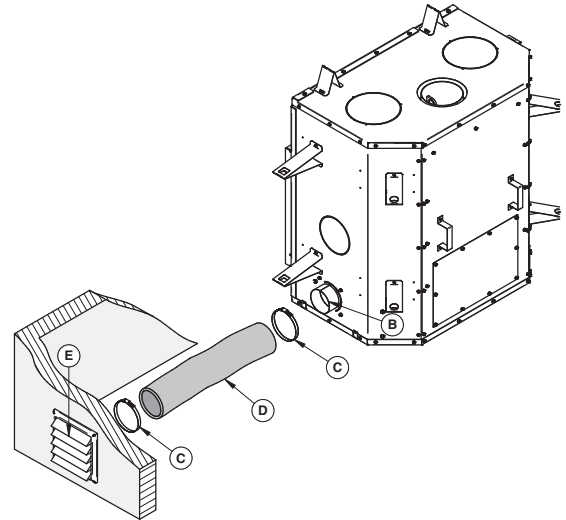
Note that when the fireplace is cold, the light is off.

9. INSTALLATION OF OPTIONS ON YOUR PRODUCT

9.1 Optional Fresh Air Kit Intake Installation

Follow the instructions below for connecting the fireplace to a fresh air intake (see section 7.2 for additional information):

- The insulated flexible pipe **(D)** should be of sufficient length (at least 10') and of a configuration to prevent condensation.
- The outside wall register **(E)** must not be installed:
 - More than 50% of the total height of the chimney;
 - At more than 10' (3 m) above the base of the fireplace;
 - More than 3' (0.9 m) below the base of the fireplace.
- The fresh air must come from outside the house. The air intake should not take air in the attic, basement or garage.
- The duct and the air intake can be installed above or below the floor level.
- The air intake should be installed high enough not to be obstructed by snow. It should be protected from the wind, away from automobile exhaust, a gas meter or other air inlets or outlets.



ENGLISH

The following items are included with the fireplace:

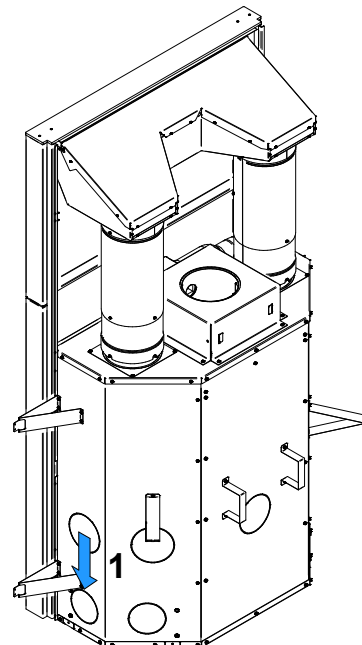
- One (1) 4" (76 mm) adapter **(B)**;
- One (1) air intake plate;
- Four (4) screws.

The following items are not included:

- The outside wall register **(E)**;
- The two (2) adjustable collars **(C)**;
- Insulated duct length 4" **(D)**. (Duct must be HVAC type and must comply with ULC S110 or UL 181, Class 0 or Class 1 and must withstand temperatures up to 250° F).

Note: Only remove the knockout that will be used to connect the fresh air intake assembly.

The fresh air intake can be installed on the right side **(1)** of the fireplace (the most common).



Installation



It is strongly recommended to wear gloves to complete the installation.

1. To use the air intake on the right side, remove the knockout by cutting the micro-joints. Cut and remove the insulation and the other knockout inside the fireplace.
2. Install the adapter included in the fireplace. Fold each tab of the adapter from the inside of the fireplace to immobilize the adapter.

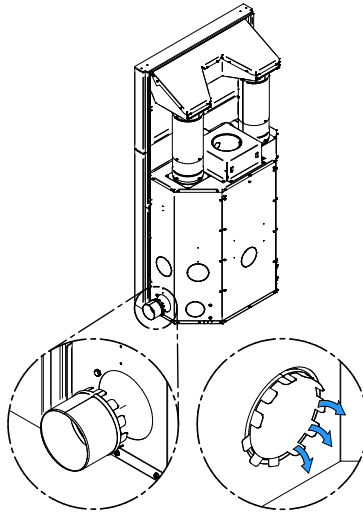
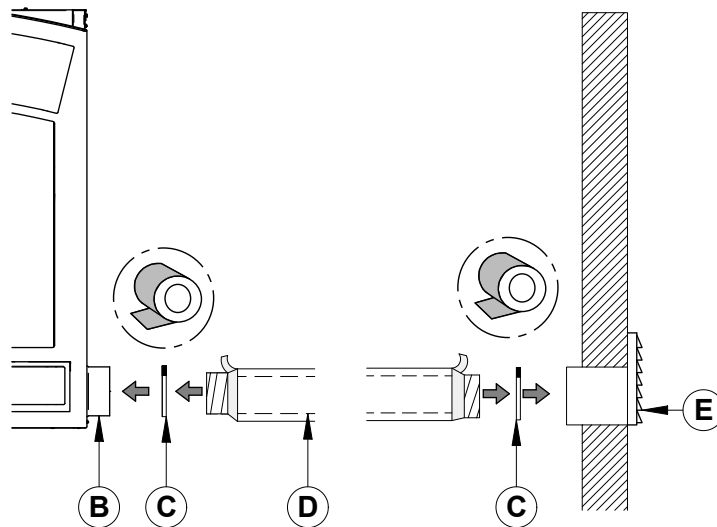


Figure 10: Fresh air intake on the right side

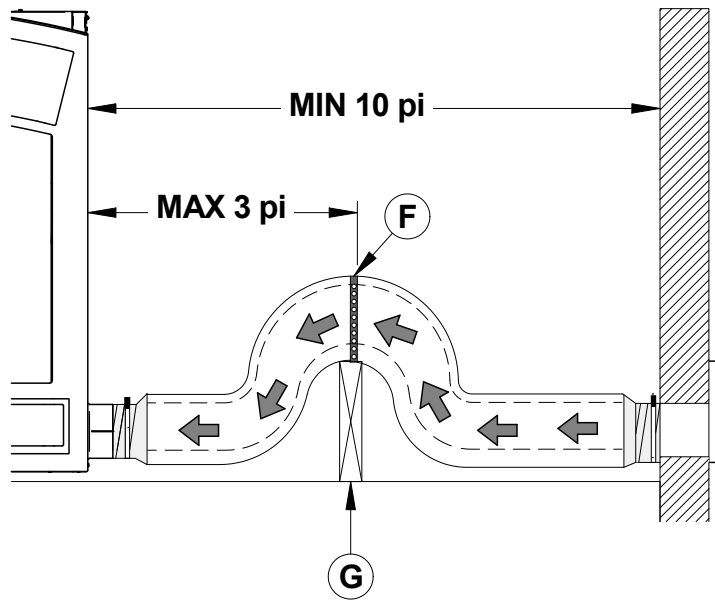
3. Install the flexible duct **(D)** on the fresh air inlet adapter **(B)** using one hose clamp **(C)**. Fix the other end to the outer wall register **(E)** using the second hose clamp **(C)**. The outer wall register **(E)** must be installed outside the house.

To properly install the flexible duct, gently remove the insulation and plastic wrap to expose the duct. Fix the duct using clamps. Stick aluminum tape around the joint between the duct and adapter to make the connection airtight. Carefully replace the insulation and plastic wrap on the duct. Secure the plastic with aluminum tape.



- To complete the installation, make a hole of $\frac{1}{4}$ " to $\frac{1}{2}$ " (6 mm to 13 mm) bigger than the duct diameter on the outside wall of the house at the chosen location. From outside, place the outside wall register in the hole (open side down) and fasten the register to the wall, with screws.

Use the required length for the installation while respecting the maximum length of 30' (9 m). To avoid condensation, it is recommended to use an insulated duct long enough and containing a «P-Trap» loop. This configuration can be done inside the chase, but must at all times maintain clearances to combustibles.



It is mandatory to install a mechanical shutter, right or left side depending on the installation of the air intake, that closes the outside air inlet when the fireplace is not in use.

Parts

ENGLISH



INSULATED FLEX PIPE FOR FRESH AIR INTAKE(AC02090/AC02093/AC02094)



FRESH AIR INTAKE REGISTER WITH AIRTIGHT DAMPER (AC01349)



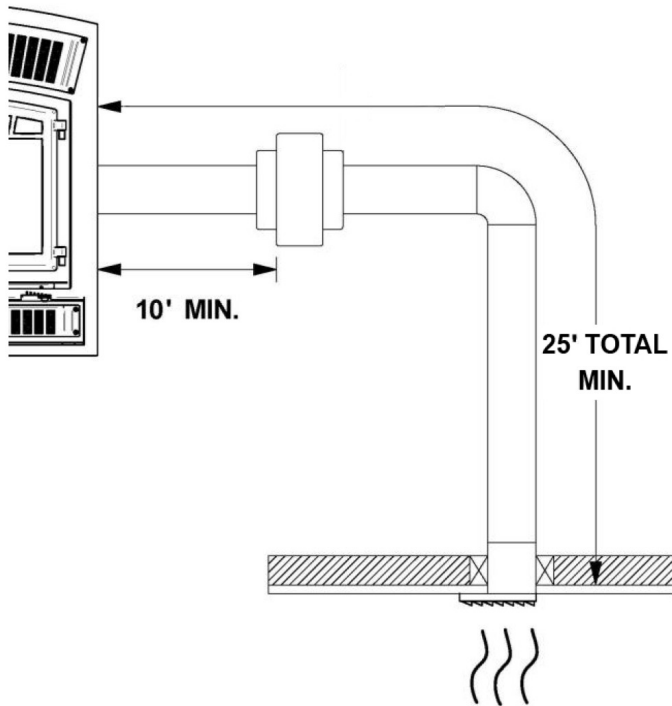
AIR INTAKE TERMINATION WITH CLAMPS (AC01297)

9.2 Optional Forced Air Distribution Kit Installation (VA4460) (In Canada Only)

The forced air distribution kit has been safety tested and is approved in Canada and the United States, but it is not approved by EPA.

It is possible to connect a forced air kit on the back or on either side of the fireplace. This kit allows distributing heat to another room up to 50 feet (15 m) of the fireplace. The insulated flexible pipe (not included in the kit) must be HVAC type pipe and must comply with ULC S110 and/or UL 181, Class 0 or Class 1 Standards and must withstand temperatures up to 250 °F.

For the complete installation procedure, see the installation manual provided with the kit.



For this fireplace, it is possible to connect the forced air distribution assembly outlet to a central hot air distribution system. See the Forced Air Distribution Kit Installation manual for more details.

ENGLISH

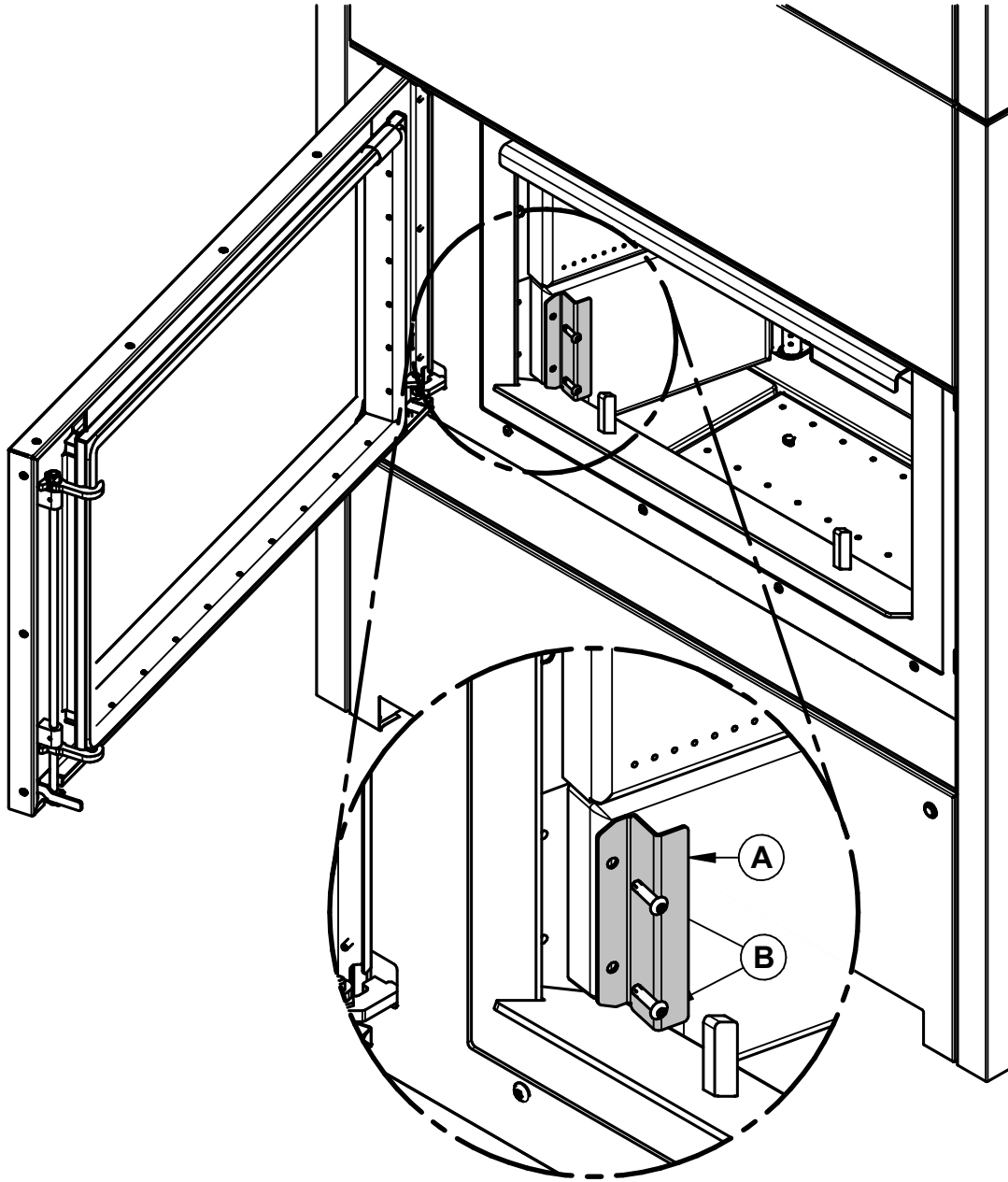
WARNING: THE EXIT GRID MUST BE INSTALLED AT LEAST 36 IN (914 MM) ABOVE THE FLOOR

WARNING: A MINIMUM 2" CLEARANCE TO COMBUSTIBLE MATERIALS MUST BE LEFT AROUND OF THE REGISTER.

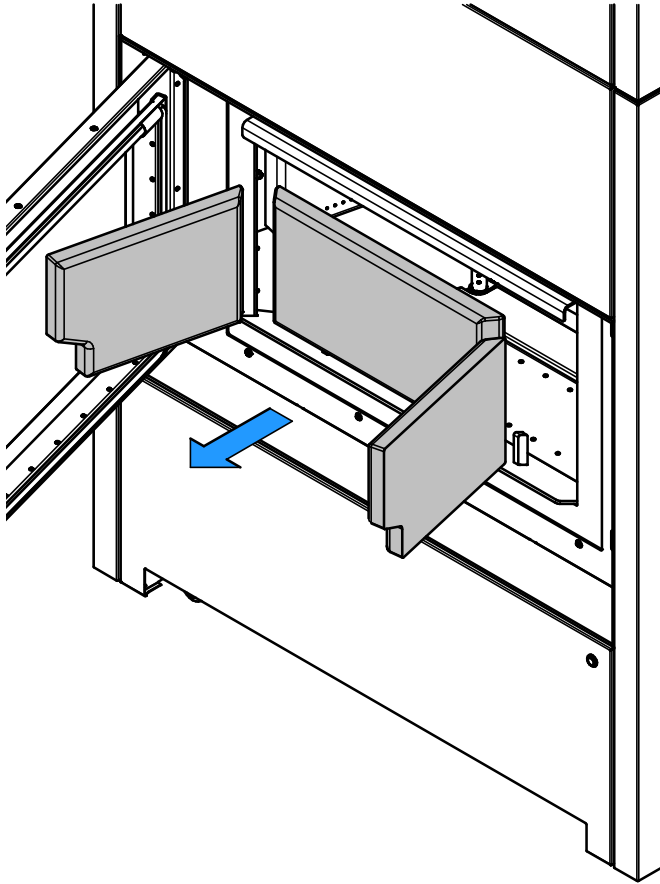
10. REPLACEMENT OF PARTS ON YOUR PRODUCT

10.1 Refractory Panels Replacement

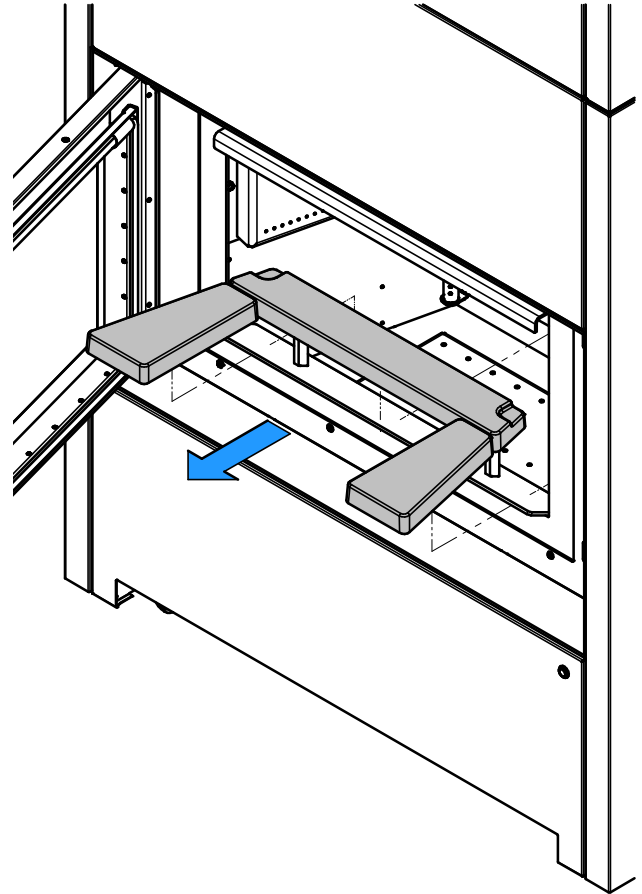
1. With a power screwdriver, detach the panels supports **(A)** by removing the screws **(B)**.



2. First remove the side panels, then remove the back panel.



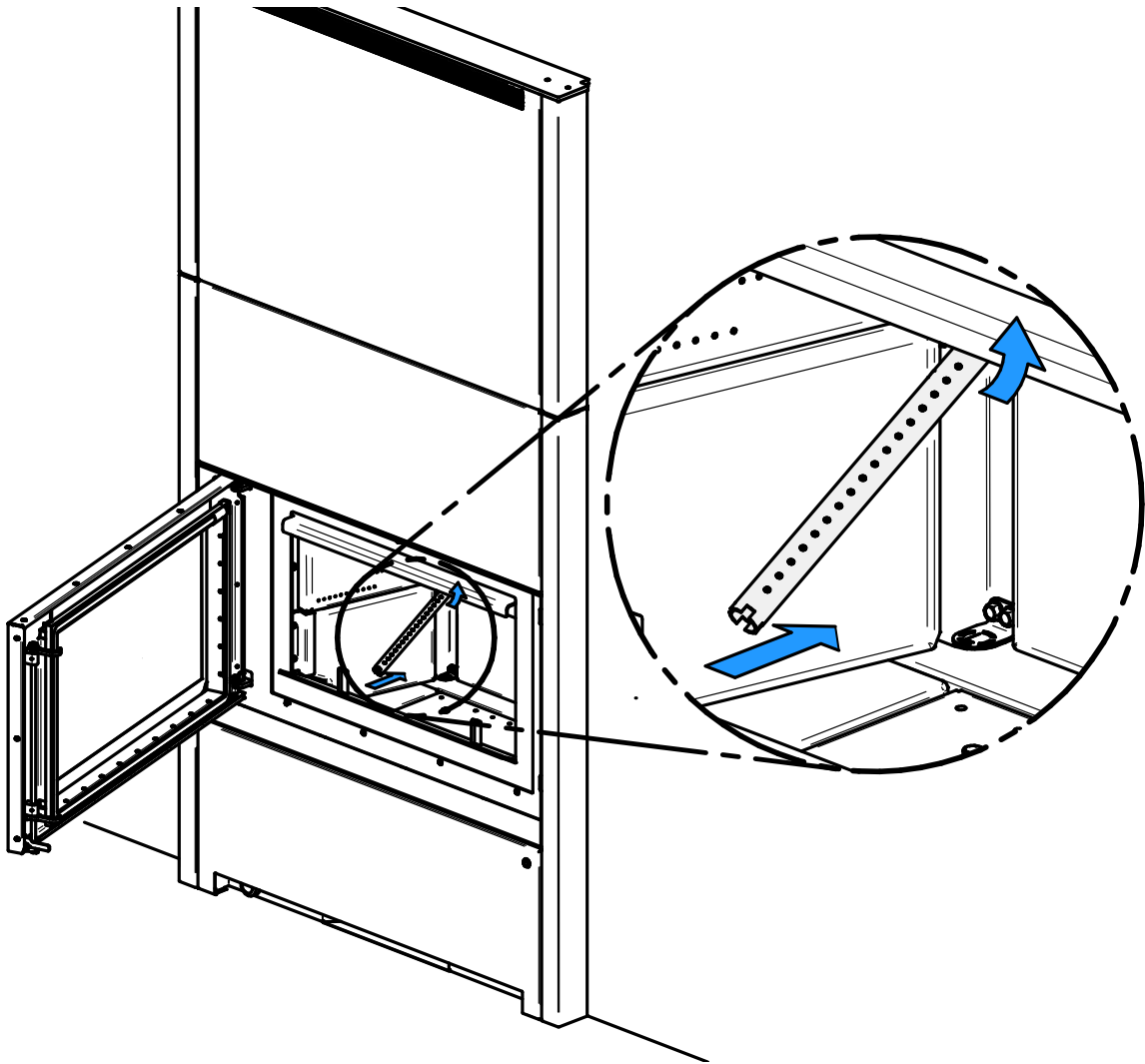
3. Remove the panels surrounding the diffuser.



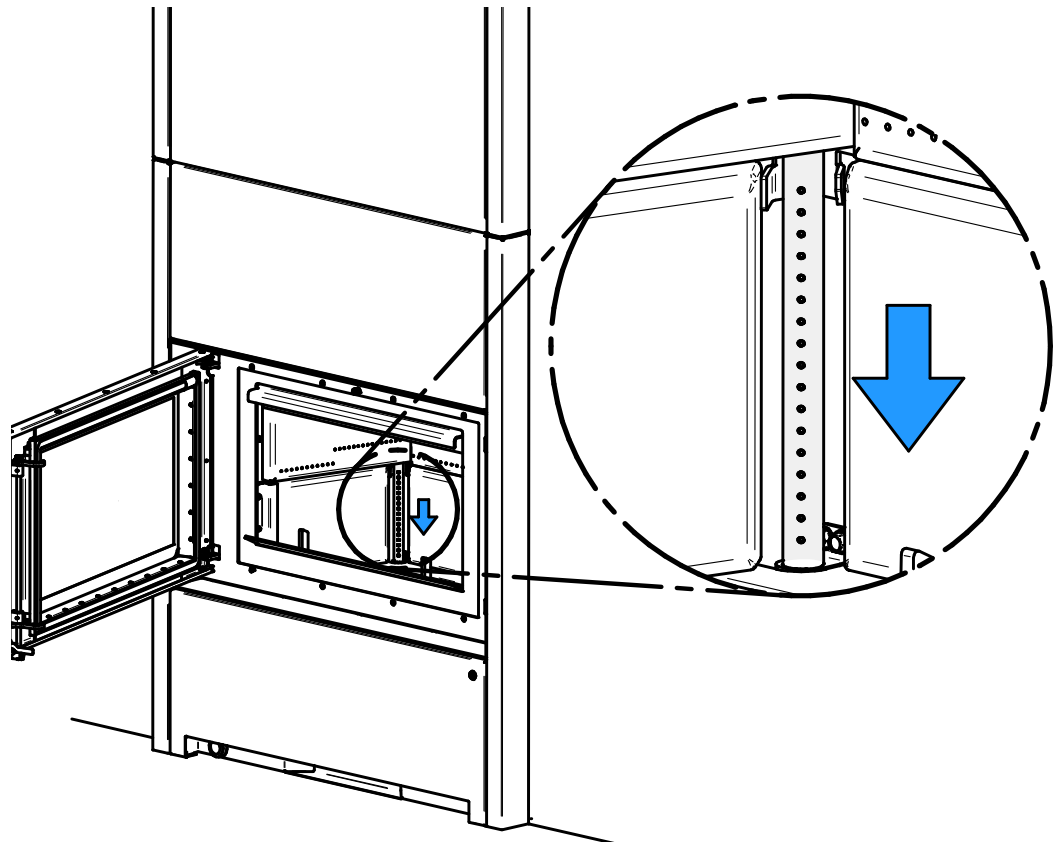
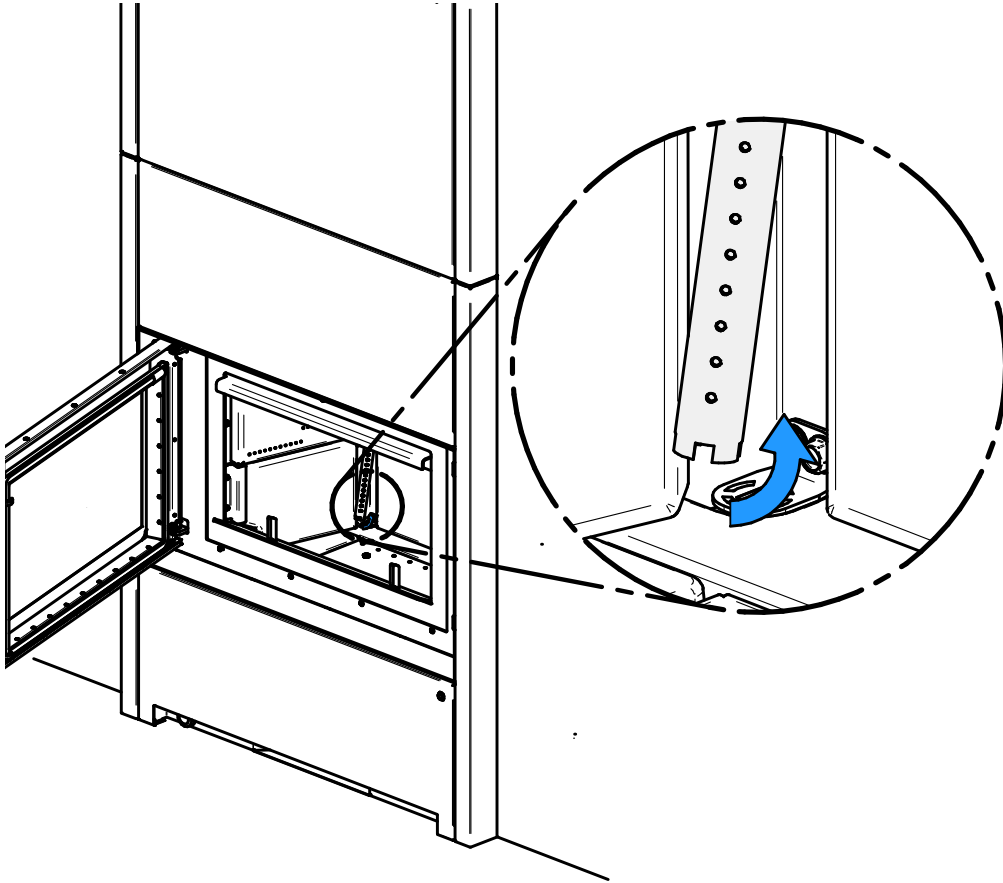
10.2 Secondary Air Tubes and Baffle Installation

There are two secondary air tubes in this fireplace. They are located in the back corners of the firebox. Follow these steps to install them:

1. Tilt and insert the secondary air tube (left or right, the procedure remains the same) into the hole in the top of the back channel.

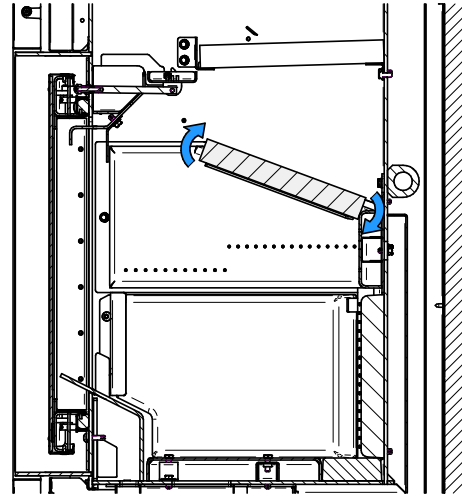
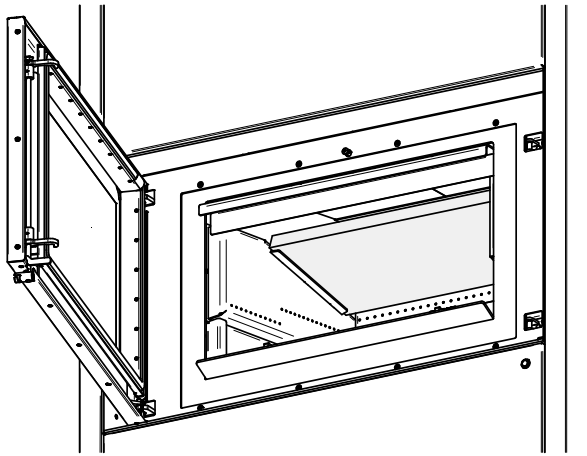


- Next, lift and push the tube towards the back of the combustion chamber and place it in the slots of the tube holder.

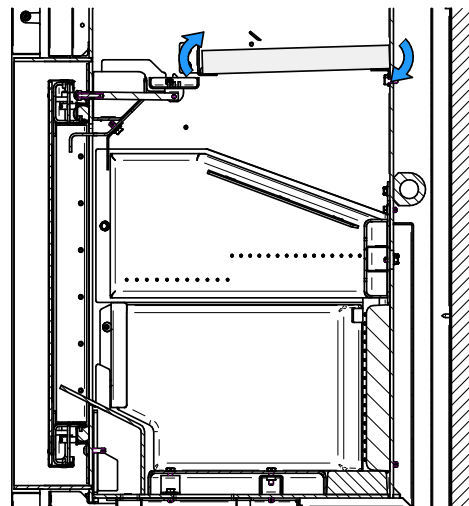
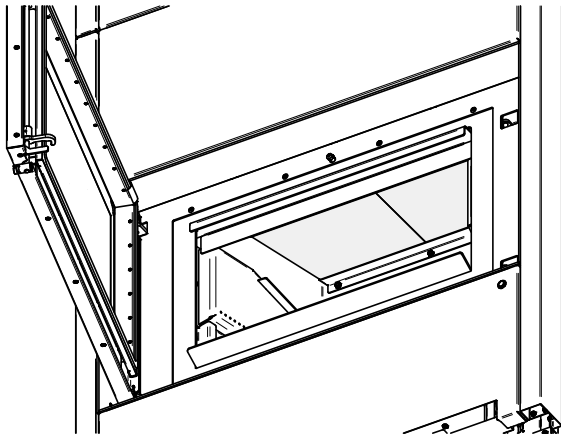


10.3 Baffles Replacement

1. This fireplace has two levels of baffles. Start by removing the first baffle by lifting it from its supports and turning it slightly so that it can pass through.



2. The second baffle is now accessible. You can remove it in the same way as the first baffle. (Note: The second baffle is made of two pieces.)

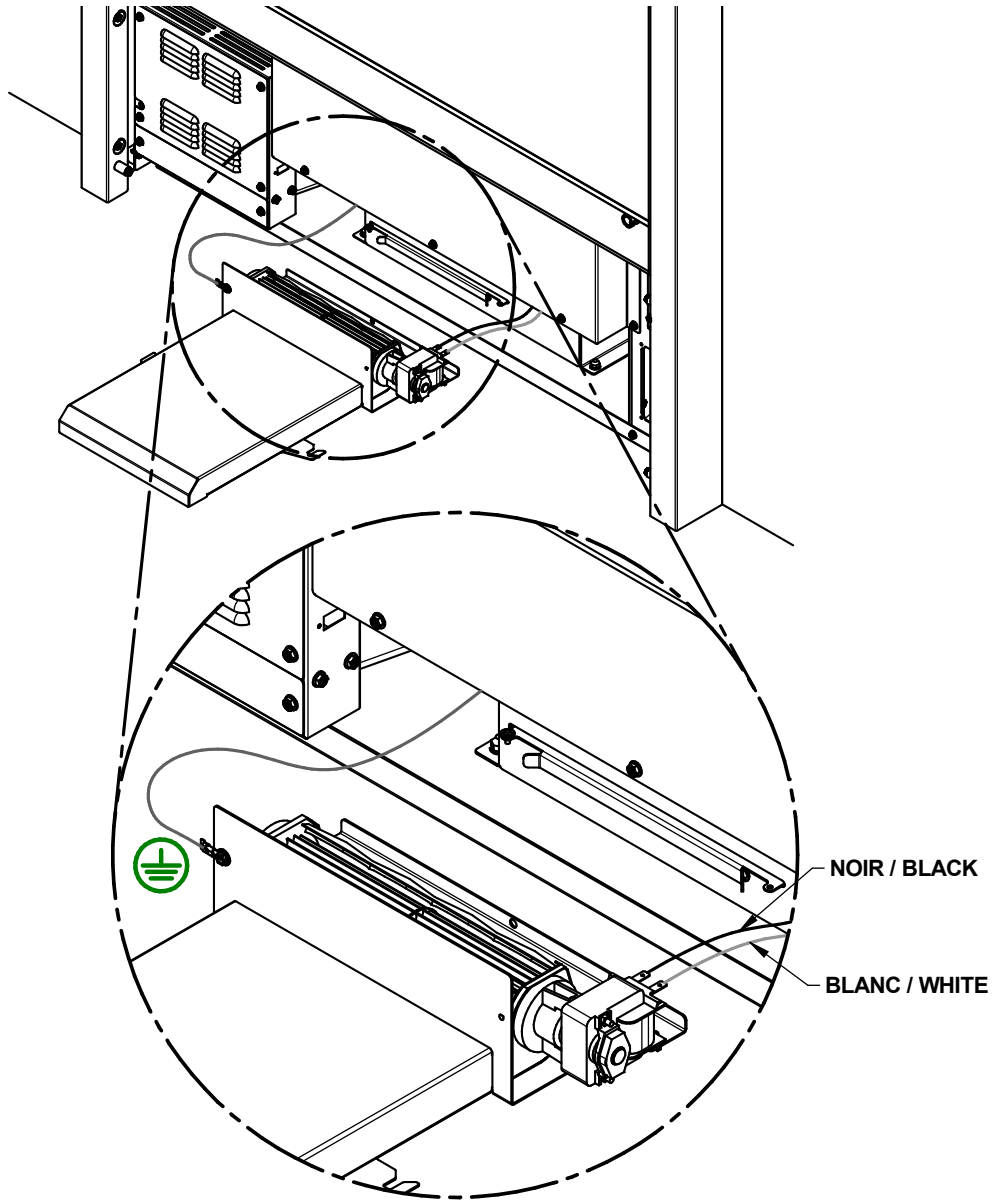


10.4 Blower Replacement (44075)

See section 8.2. for the installation steps.

Blower Connection

The wiring should be done by a qualified electrician. The ground (green or skinned wire) must be attached to the fireplace metal frame.



11. Troubleshooting

11.1 Power-outage

1. *Best solution:*

If you have a deep cycle 12V battery, you can connect the battery to the battery tabs directly on the PCB board. Consumption is 35W (\pm 3A on 12V). On a 20 Ah battery, you can run the stove for about 6h. The recommendation is to connect the battery for the flaming period and then disconnect it at the end of the flaming period.

2. *In the case of a power-outage while the stove was burning wood :*

The stove will go into a fail safe mode. The glass door may get dirtier. It is recommended to load new wood when there is still faint flames to assure a proper ignition. Do not overheat the unit. The smoke sensor won't be able to cool down properly, overheating the stove can cause damage to the electronic board.

3. *In the case of a power-outage while the stove was cold:*

It is possible to use the wood heater but only to do small loads. You need to have dry and small kindling pieces. You need to keep the door opened or crack for 10-20 minutes before closing.

11.2 Bouncing motor/ticking noise

1. *Adjustment of limit switch:*

Disconnect the power. Remove bottom decorative panel. Disconnect the button and the Wi-Fi Antenna. Using a Phillips screw driver, remove the 6 screws of the front motor cover. Rotate the air shutter manually. When the left and center shutters are closed, you will hear a click on the limit switch. If you don't hear the click, you can bend the adjustment tabs on the shutter. For the right shutter, the click can be heard when the shutter is fully opened.

2. *Cables inspection:*

If switches are properly adjusted, inspect cables for failures. You can use the cable of another working motor to test the failing one and vice-versa. Replace defective cables.

11.3 Door not latching

1. *Adjustment of the by-pass damper:*

Above the door opening, you can see the bypass damper rod. If the damper rod is too long, you can use a 7/16 open wrench to unlock the lock nut. Screw the Philips head from 1 turn at the time and test. When the door latches properly, tight the lock nut.

11.4 Smoke spillage through the door opening

1. *Jammed by-pass damper:*

Make sure the mechanism is working properly. If so, adjust the plunger with the adjustment screw.

11.5 Stepper motor closing very fast/Smoke level is high on the remote control

1. Go outside and check if smoke is dense out of the chimney cap;
2. If no smoke, clean the smoke sensor lens and led. Also, inspect the inner pipe to see if there are a creosote build-up.
3. If so, clean the chimney and the connector.
4. If there is smoke, the issue is probably with the wood (too wet), the load (too tight, no air circulation), or the lack of heat (no charcoal bed, not enough paper or kindling for ignition).

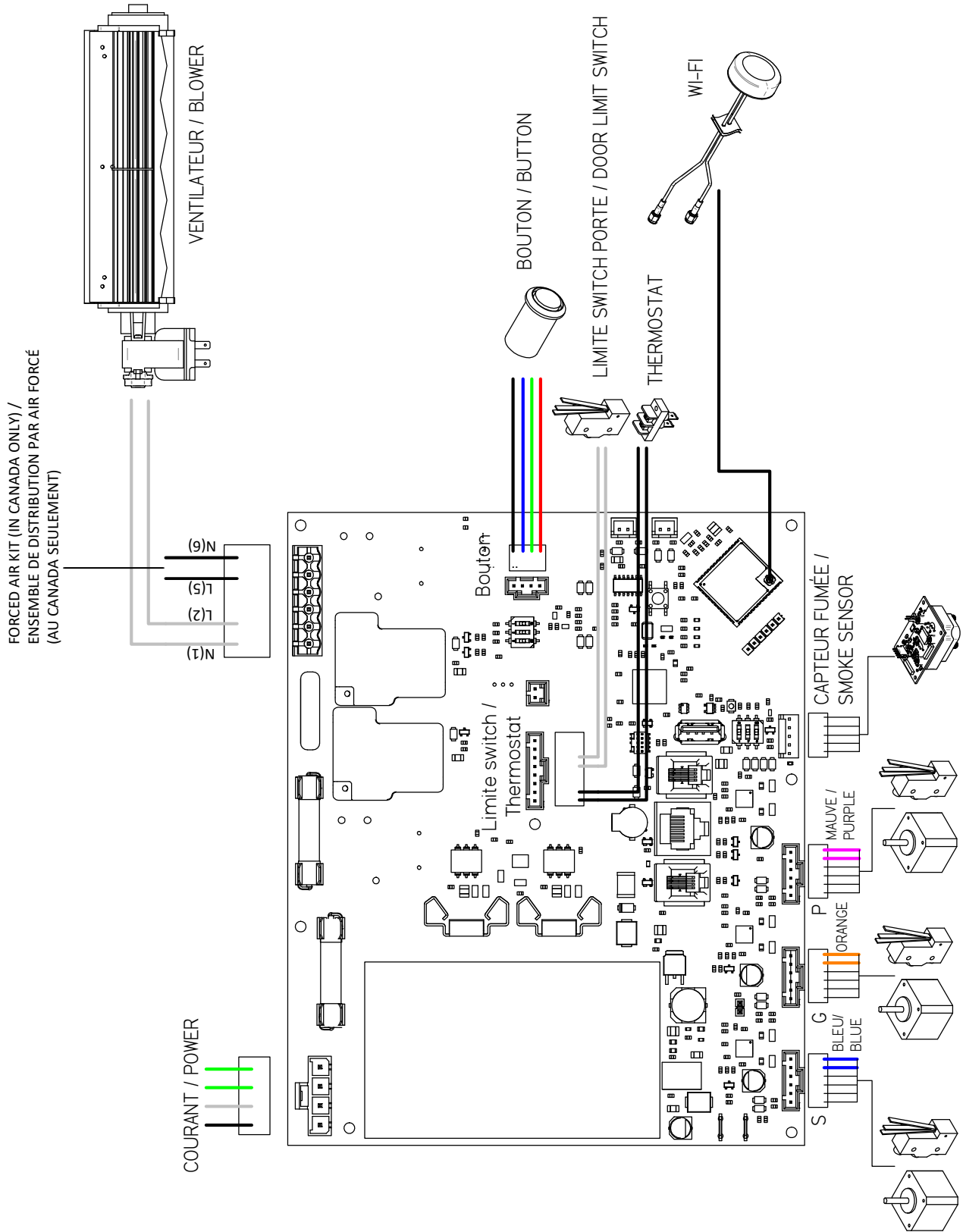
11.6 Blower won't start

Blower will not start if the door is opened. If you close the door, there will be a delay of 30 seconds before the blower starts.

11.7 Blower won't start even if door is closed (door switch)

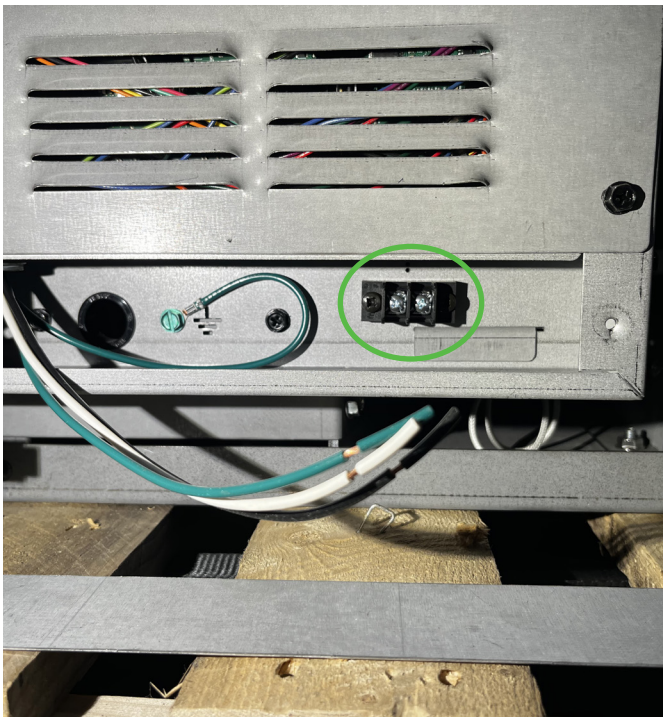
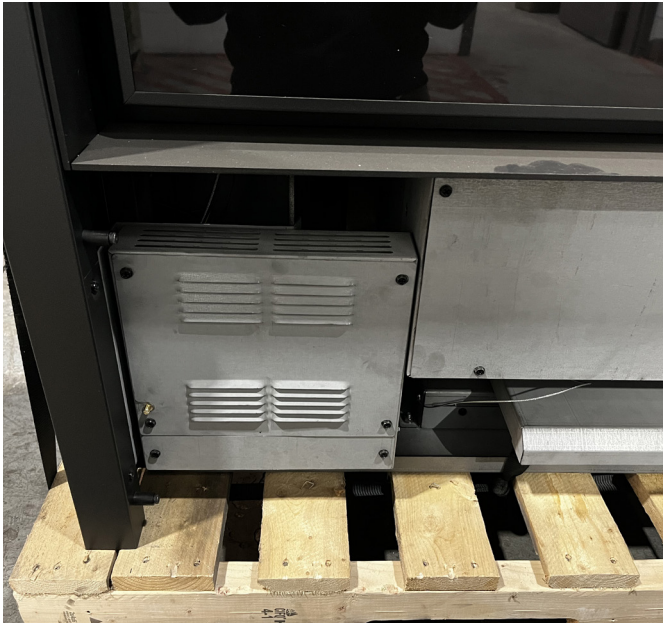
Verify if in AUTO mode. If so, a certain temperature is needed on the thermocouple is required to kick on low speed (650F on baffletemp), and then on high speed (690F on baffletemp).

12. Electrical Diagram



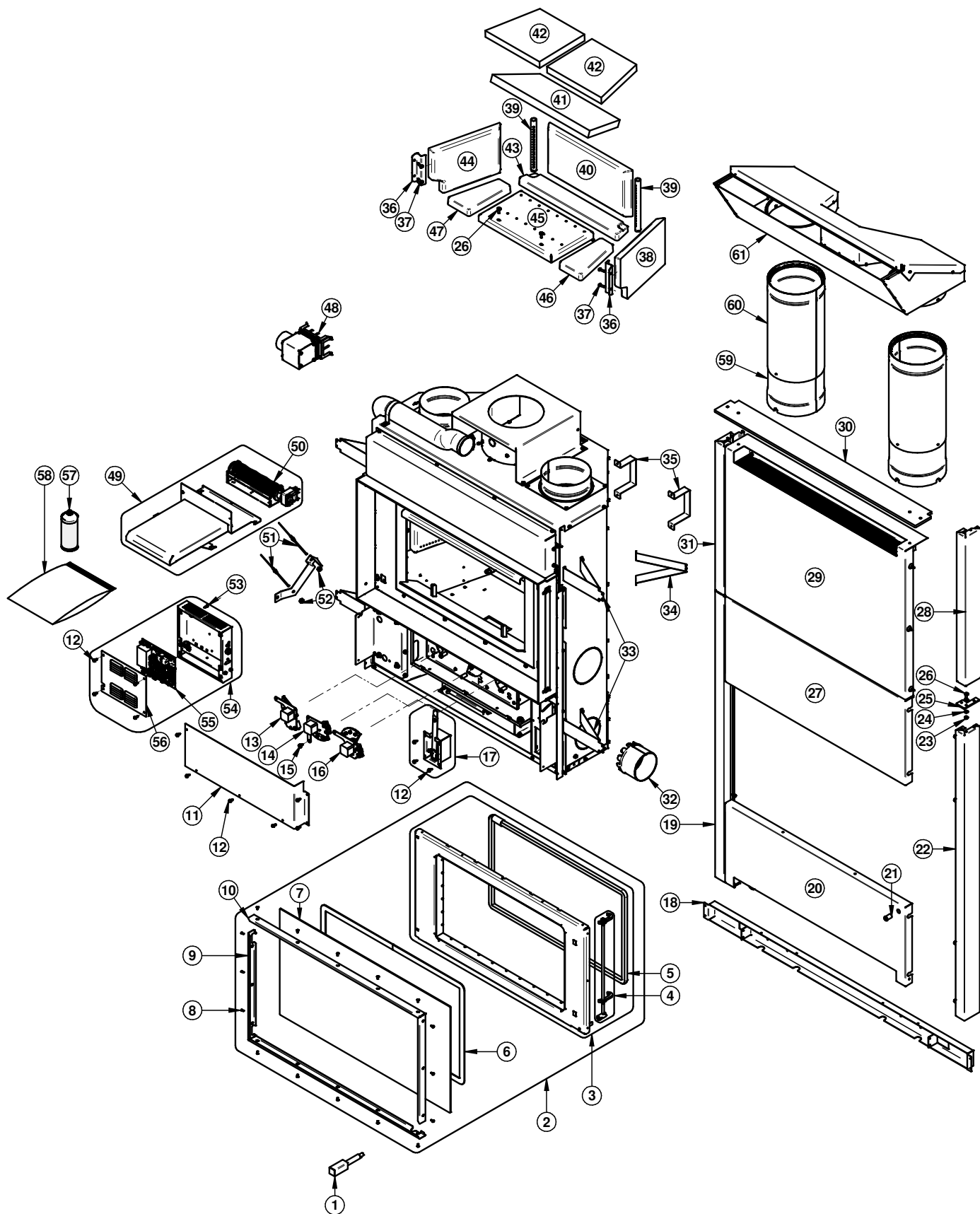
12.1 Thermostat Connection

The terminal block for the thermostat connection is located in a compartment below the electronic control board.



13. Exploded Diagram and Part List

ENGLISH



IMPORTANT: THIS IS DATED INFORMATION. When requesting service or replacement parts for your unit, please provide the model number and the serial number. We reserve the right to change parts due to technology upgrades or availability. Contact an authorized dealer to obtain any of these parts. Never use substitute materials. Use of non-approved parts can result in poor performance and safety hazards.

#	Item	Description	Qté
1	SE76427	MOVING HANDLE	1
2	SE76334	DOOR ASSEMBLY WITH GLASS AND MOULDING	1
3	SE76329	DOOR ASSEMBLY	1
4	SE76332	ASSEMBLED DOOR ROD	1
5	AC06730	SILICONE AND 1" X 8' BLACK DOOR GASKET KIT	1
6	AC06950	1" X 1/8" X 9' SELF-ADHESIVE GASKET	1
7	23140	OVEN GLASS GUSTO COOKSTOVE	1
8	30021	SELF TAPPING SCREW 8-32 "F" TYPE X 7/16" FLAT HEAD QUADREX BLACK	16
9	PL76335	GLASS RETAINER	1
10	PL76334	GLASS RETAINER	1
11	PL76309	ACCESS PANEL	1
12	31048	SCREW #10 X 1/2 HWH PH TYPE AB ZINC PLATED/BLACK PAINTED HEAD	14
13	SE76339	AIR DAMPER ASSEMBLY	1
14	SE76340	TEMPLATE SE	1
15	30084	BOLT 1/4-20 X 1/2" GRADE 5	1
16	SE76341	AIR DAMPER ASSEMBLY	1
17	SE76258	DOOR SWITCH BOX	1
18	PL76398	WALL MOUNT	1
19	SE76393	ASSEMBLED LEFT VERTICAL FRAMING	1
20	SE76356	FACEPLATE LOWER PANEL ASSEMBLY	1
21	44303	BUTTON WITH LED	1
22	SE76394	ASSEMBLED RIGHT VERTICAL FRAMING	1
23	30220	FLANGED LOCKNUT 1/4-20	1
24	30185	17/64" AA TYPE WASHER BLACK	1
25	PL76397	SÉPARATEUR	1
26	30785	MECHANICAL SCREW 1/4-20 X 3/4" STAINLESS HEX	3
27	PL76402	CENTER FRONT PANEL	1
28	PL76396	LEFT VERTICAL FRAME	1
29	SE76400	UPPER FRONT PANEL ASSEMBLED	1
30	PL76360	FACEPLATE TOP	1
31	PL76395	LEFT VERTICAL FRAME	1
32	PL76392	5" ADAPTER	1
33	PL76390	SIDE SPACER	4

ENGLISH

#	Item	Description	Qté
34	PL76412	BACK AND SIDE SPACER	2
35	PL76391	BACK SPCER	2
36	PL76324	BRICK RETAINER	2
37	30506	BLACK SCREW PAN TORX TYPE F 1/4-20 X 1"	2
38	PL76432	RIGHT BRICK	1
39	PL76326	VERTICAL SECONDARY AIR TUBE	2
40	PL76431	BACK BRICK	1
41	21672	LOWER C-CAST BAFFLE	1
42	21693	TOP BAFFLE	2
43	PL76435	REAR BOTTOM STONE	1
44	PL76430	LEFT BRICK	1
45	PL76315	AIR INTAKE GRILLE	1
46	PL76434	RIGHT BOTTOM STONE	1
47	PL76433	LEFT BOTTOM STONE	1
48	SE76415	SMOKE SENSOR ASSEMBLY	1
49	SE76346	CONVECTION BLOWER ASSEMBLY	1
50	44075	TANGENTIAL BLOWER 115V-60hZ-30W 90 CFM	1
51	60413	TYPE K UNGROUNDED THERMOCOUPLE	2
52	30838	M8 NUT	2
53	30408	ELECTRONIC BOARD CLIP	1
54	SE76263	ELECTRICAL BOX ASSY	1
55	44323	CONTROL BOARD	1
56	PL76266	ACCESS PANEL	1
57	AC05959	METALLIC BLACK STOVE PAINT - 342 g (12oz) AEROSOL	1
58	SE46410	FP19 MANUAL KIT	1
59	SE76405	Ø 8" x 27" DOUBLE WALL LOWER TELESCOPING SECTION	2
60	SE76403	Ø 8" x 27" DOUBLE WALL UPPER TELESCOPING SECTION	2
61	SE76421	GRAVITY BOX	1

VALCOURT LIMITED LIFETIME WARRANTY

ENGLISH

The warranty of the manufacturer extends only to the original consumer purchaser and is not transferable. This warranty covers brand new products only, which have not been altered, modified nor repaired since shipment from factory. Proof of purchase (dated bill of sale), model name and serial number must be supplied when making any warranty claim to your VALCOURT dealer.

This warranty applies to normal residential use only. This warranty is void if the unit is used to burn material other than cordwood (for which the unit is not certified by EPA) and void if not operated according to the owner's manual. Damages caused by misuse, abuse, improper installation, lack of maintenance, over firing, negligence or accident during transportation, power failures, downdrafts, or venting problems are not covered by this warranty.

This warranty does not cover any scratch, corrosion, distortion, or discoloration. Any defect or damage caused by the use of unauthorized parts or others than original parts void this warranty. An authorized qualified technician must perform the installation in accordance with the instructions supplied with this product and all local and national building codes. Any service call related to an improper installation is not covered by this warranty.

The manufacturer may require that defective products be returned or that digital pictures be provided to support the claim. Returned products are to be shipped prepaid to the manufacturer for investigation. If a product is found to be defective, the manufacturer will repair or replace such defect. Transportation fees to ship the product back to the purchaser will be paid by the manufacturer. Repair work covered by the warranty, executed at the purchaser's domicile by an authorized qualified technician requires the prior approval of the manufacturer. Labour cost and repair work to the account of the manufacturer are based on predetermined rate schedule and must not exceed the wholesale price of the replacement part. All parts and labour costs covered by this warranty are limited according to the table below.

The manufacturer at its discretion may decide to repair or replace any part or unit after inspection and investigation of the defect. The manufacturer may, at its discretion, fully discharge all obligations with respect to this warranty by refunding the wholesale price of any warranted but defective parts. The manufacturer shall in no event be responsible for any special, indirect, consequential damages of any nature, which are in excess of the original purchase price of the product. **A one-time replacement limit applies to all parts benefiting from a lifetime coverage.** This warranty applies to products purchased after May 1st, 2021.

DESCRIPTION	WARRANTY APPLICATION	
	PARTS	LABOUR
Combustion chamber (welds only), castings, convector air-mate and ceramic glass*	Lifetime**	4 years
Plating* (defective manufacture) - subject to limitations above	Lifetime**	n/a
Stainless steel firebox components, surrounds and heat shields, trims (aluminum extrusions), vermiculite, C-Cast or equivalent baffle*, and secondary air tubes*	5 years**	3 years
Carbon steel firebox components, glass retainers, and handle assembly	3 years	2 years
Grate, blowers, heat sensors, switches, rheostat, wiring, and other controls	2 years	1 year
Paint (peeling), gaskets, insulation, refractory bricks**, and ceramic fibre blankets	1 year	n/a
All parts replaced under the warranty	90 days	n/a

*Pictures required **Limited to one replacement

Shall your unit or a components be defective, contact immediately your VALCOURT dealer. Prior to your call make sure you have the following information necessary to your warranty claim treatment:

- Your name, address and telephone number
- Bill of sale and dealer's name
- Nature of the defect and any relevant information
- Serial number and model name as indicated on the nameplate fixed to the back of your unit

Before shipping your unit or defective component to our plant, you must obtain from your VALCOURT dealer an Authorization Number. Any merchandise shipped to our plant without authorization will be refused automatically and returned to sender.

Wood_Revision: May 2021

This document is available for free download on the manufacturer's website. It is a copyrighted document. Resale is strictly prohibited. The manufacturer may update this document from time to time and cannot be responsible for problems, injuries, or damages arising out of the use of information contained in any document obtained from unauthorized sources.

The logo for Valecourt, featuring the word "Valecourt" in a stylized, cursive script font. The letter 'V' is particularly large and ornate, with a long, sweeping tail that extends to the left. The rest of the word is written in a smaller, elegant cursive.

Stove Builder International inc.
250, De Copenhague street,
St-Augustin-de-Desmaures (Québec), Canada
G3A 2H3
1-877-356-6663
<https://www.valcourtinc.com/en/>
tech@sbi-international.com