

# Sirocco 25 Ashford 25 & Princess 29 Inserts Specifications & Features

## Sirocco 25, Ashford 25 & Princess 29 Inserts

Clearances to Combustibles	Sirocco 25	Ashford 25	Princess 29
<b>A</b> - Door Opening to side wall	13½"	13½"	17"
<b>B</b> - Top of door opening to mantle	20"	20"	26"
<b>C</b> - Side of unit to combustible facing	10"	10"	15"
<b>Floor Protection</b>			
<b>D</b> - Side floor protection to firebox opening	8"†	8"†	8"
<b>E</b> - Front floor protection to firebox opening – <b>US</b> <b>Canada</b>	16"* 18"*	16" 18"	16" 18"
<b>F</b> - Mantle width maximum	12"	12"	12"
<b>G</b> - Back of surround to firebox opening	2.7"	2.7"	10 <sup>5</sup> / <sub>8</sub> "
Minimum Fireplace Opening (Width x Height x Depth)	29" x 22" x 19"	29" x 22" x 19"	25¾" x 23½" x 12½"

† Measured from each side of the fuel loading and ash removal openings.  
 \* If unit is installed on a hearth flush with a combustible surface, then R1.1 protection is required 19" in front of the door opening and 8" on the unit sides. If the unit is installed on a hearth elevated 3" or more from a combustible surface, then 18" of non-combustible floor protection is required in front of the door opening and 8" on the unit sides.  
 Approved for install into Masonry Fireplaces only. For Complete Installation Information refer to Owner's Manual prior to installation.

## Sirocco 25, Ashford 25 & Princess 29 Inserts Specifications

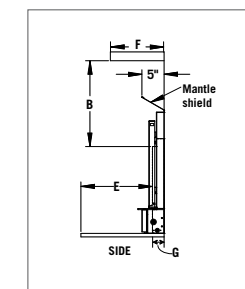
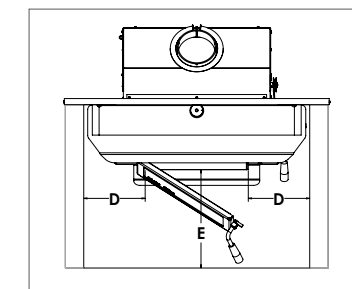
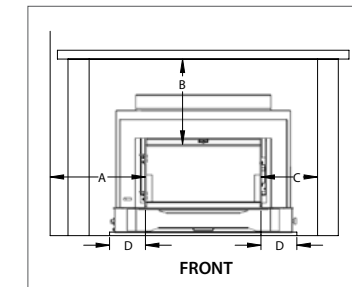
Specifications	Sirocco 25	Ashford 25	Princess 29
Sq. ft. heating capacity	400 to 1,600 sq. ft.	400 to 1,600 sq. ft.	1,000 to 2,300 sq. ft.
Variable Speed Fan	130cfm	130cfm	60cfm
Wood capacity (soft wood)	35 lb.	35 lb.	40 lb.
Wood capacity (hard wood)	53 lb.	53 lb.	60 lb.
Flue size	6"	6"	6"
Door opening	25¼" x 10 <sup>5</sup> / <sub>8</sub> "	25¼" x 10 <sup>5</sup> / <sub>8</sub> "	16 <sup>3</sup> / <sub>8</sub> " x 8¾"
Firebox depth	16¾" (brick to brick) 18" (brick to glass)	16¾" (brick to brick) 18" (brick to glass)	16½" (brick to brick) 20 <sup>3</sup> / <sub>8</sub> " (brick to glass)
Firebox width	20½" (front) 18" (rear)	20½" (front) 18" (rear)	18¾"
Firebox height	10"	10"	13 <sup>1</sup> / <sub>8</sub> "
Usable firebox volume	2.06 cu. ft.	2.06 cu. ft.	2.63 cu. ft.
Small Shroud (Height x Width)	27 <sup>1</sup> / <sub>8</sub> " x 38 <sup>7</sup> / <sub>8</sub> "**	-	-
Medium Shroud (Height x Width)	29 <sup>1</sup> / <sub>8</sub> " x 38 <sup>7</sup> / <sub>8</sub> "**	29¼" x 42¼"	29" x 43"
Large Shroud (Height x Width)	32 <sup>1</sup> / <sub>8</sub> " x 38 <sup>7</sup> / <sub>8</sub> "**	32¼" x 44¼"	33" x 47"
Emissions	0.74 grams/hour	0.74 grams/hour	1 grams/hour
Maximum heat input*	311,334 BTU's	311,334 BTU's	418,452 BTU's
Heat output on high, BTUs*	25,389 (EPA listed)	25,389 EPA listed	30,194 (EPA listed)
Low run time	Up to 25 hours	Up to 25 hours	Up to 29 hours
Heating time on high	Up to 8 hours	Up to 8 hours	Up to 9 hours
Approximate weight	325 lbs.	415 lbs.	325 lbs.

\* Heating capacity is determined by geographic location and actual heat loss calculation of the dwelling.  
 \* BTU, heat input, heat output and heating times depend on influences such as home size, home insulation, installation configuration, wood species, wood moisture content and climatic conditions.

Blaze King reserves the right to make continuous improvements. Information in this brochure may change without notice. Images are shown for artistic purposes. Consult owners manual for clearances and install requirements. E&OE

## Clearances

Sirocco 25/ Ashford 25/ Princess 29

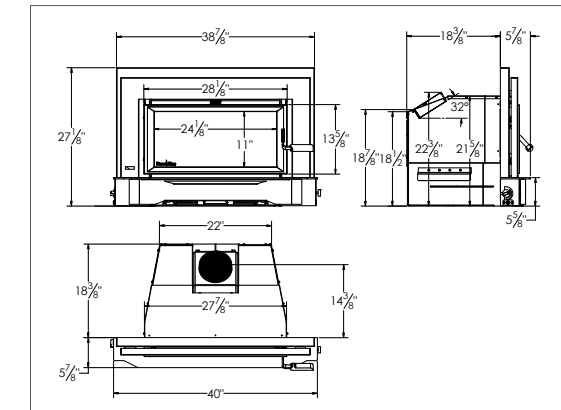


**10 Year Extended Warranty**

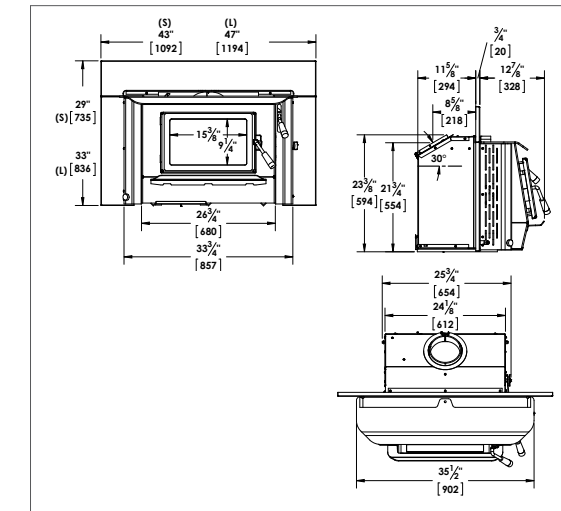
Because we believe in the technology and craftsmanship built into every Blaze King stove, we are proud to offer a 10 year 100% extended warranty on your catalytic combustor.

## Dimensions

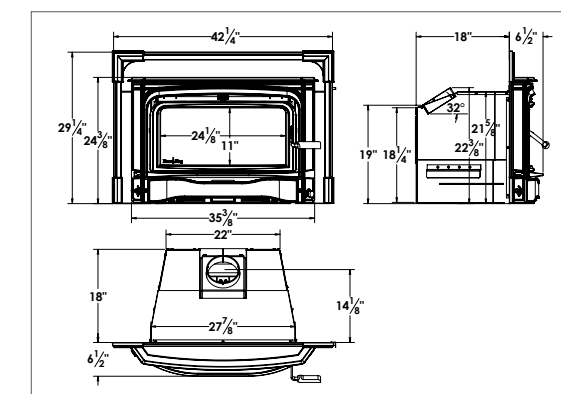
Sirocco 25



Princess 29



Ashford 25



## Insert Features and Options

Features and Options	Sirocco 25	Ashford 25	Princess
Dual Variable Speed Fan	S	S	S
Metalic Black Paint	S	0	S
Cast Gray Paint	-	0	-
Chestnut Porcelain Enamel	-	0	-
Small Shroud	0	-	-
Medium Shroud	0	0	0
Large Shroud	0	0	0
Painted Door	S	S	0
Satin or Gold Plated Door	-	-	0
Black Solid Door	-	-	0
Removable Flue Collar	S	S	-

**Thermostat Control (No electricity required)** All Blaze King inserts come with a built in thermostat that automatically adjusts the air for combustion and allows you to regulate the heat from your stove by up to 70% difference between high and low heat.

**Easy to Operate** Light a fire and simply select the heat setting you require. Your Blaze King will now automatically control the heat until you need to load it again, which could be up to 29 hours depending on the installation and model, etc. The goal is not to achieve 29 hours, but to give you that all important overnight heat output.

**Use 33% Less Wood** The combination of our exclusive thermostat and catalytic combustor technology makes your Blaze King insert one of the most efficient wood inserts in the world. The proof of this is in our flue temperatures. Non Blaze King inserts have flue temperatures of between 600°F and 900°F while your Blaze King flue temperatures are between 200°F and 300°F. Non Blaze King inserts pump valuable heat up the flue while your Blaze King keeps the heat in your home, saving you money. Our highly efficient inserts will use up to 33% less wood, so you cut, stack, load, and clean 33% less wood.

**Less Cleaning** All Blaze King stoves produce very fine ash because they extract every last drop of energy from the wood. As a result you can go for very long periods before you have to empty your stove.

All Blaze King wood products qualify for US IRS 25C tax credit

# BLAZE KING

## Wood Inserts for Masonry Fireplaces



**Blaze King**  
www.blazeking.com

All Blaze King wood products qualify for US IRS 25C tax credit

**Blaze King**  
www.blazeking.com



# ASHFORD 25

Ashford 25 Metallic Black Fireplace Insert with Large Shroud



Ashford 25 Cast Gray Fireplace Insert with Medium Shroud



Ashford 25 -Chestnut Brown Enamel

# PRINCESS 29

**Large Wood Insert** It is important to choose the correct stove size to heat your home. At 2.63 cu.ft., the Princess Insert has a larger sized firebox and is capable of heating 800 to 2,300 sq.ft.\*

**A Deeper Firebox** There is a 6" drop from the lower edge of the door opening to the bottom of the firebox which allows the Princess to hold up to 53 lbs. of wood. Blaze King's deep fireboxes better contain large loads of wood and also minimize the need for frequent ash removal.

**Performance** The Princess is all about performance; the steel firebox extends 11" outward from your fireplace onto the hearth which allows more heat to be radiated into your room. This also allows the Princess to fit into smaller fireplace openings.

Specifications: Princess 29	Real World Tested Performance (HHV)
Efficiency	79.7%
Maximum Heat Input*	418,452 BTU's
Heat Output on High, BTUs*	30,194 (EPA listed)
Heat Output on Low, BTUs*	9,023 (EPA listed)
Square Feet Heated	800 - 2300
Average Heating Time*	8 to 14 hours
Potential Run Time on Low*	29 hours
Emissions (grams/hour)	1 g/hr
Usable Firebox Volume	2.75 cu.ft.
Flue Size	6"
CO (g/min)	0.7

\* BTU, heat input and output and heating times depend on influences such as home size, home insulation, installation configuration, wood species, wood moisture content and climatic conditions.

# SIROCCO 25



Sirocco 25 Fireplace Insert

**Flush Wood Insert** The primary design focus of the Ashford and Sirocco 25 was to deliver an insert with a very large glass viewing area, yet still be able to fit inside a small fireplace. Coupled with a nickel plated and hardwood door handle, the 24" x 11" viewing area of the door is truly the focal point of the unit. These flush inserts extend only 2 5/8" outward from the face of your fireplace, helping to keep required hearth protection to a minimum. Choose between the modern, layered styling of the Sirocco 25 or the detailed cast iron curves of the Ashford 25.

**Performance** The Ashford and Sirocco 25's are very clean and efficient. Their performance is balanced to deliver a greater amount of radiant heat out through the large door glass. At 2.06 cu.ft. can deliver overnight warmth on a steady low heat setting. By pushing the boundaries of long heating times, Blaze King is able to deliver that all important full night's sleep and much more.

Specifications: Sirocco 25/ Ashford 25	Real World Tested Performance (HHV)
Efficiency	78.7%
Maximum Heat Input*	311,334 BTU's
Heat Output on High, BTUs*	25,389 (EPA listed)
Heat Output on Low, BTUs*	8,474 (EPA listed)
Square Feet Heated	400 - 1600
Average Heating Time*	8 to 13 hours
Potential Run Time on Low*	25 hours
Emissions (grams/hour)	0.74 g/hr
Usable Firebox Volume	2.06 cu.ft.
Flue Size	6"
CO (g/min)	0.21

\* BTU, heat input and output and heating times depend on influences such as home size, home insulation, installation configuration, wood species, wood moisture content and climatic conditions.



Princess Insert with Painted Door