

# SAFETY CLEARANCES

**MINIMUM CLEARANCES**

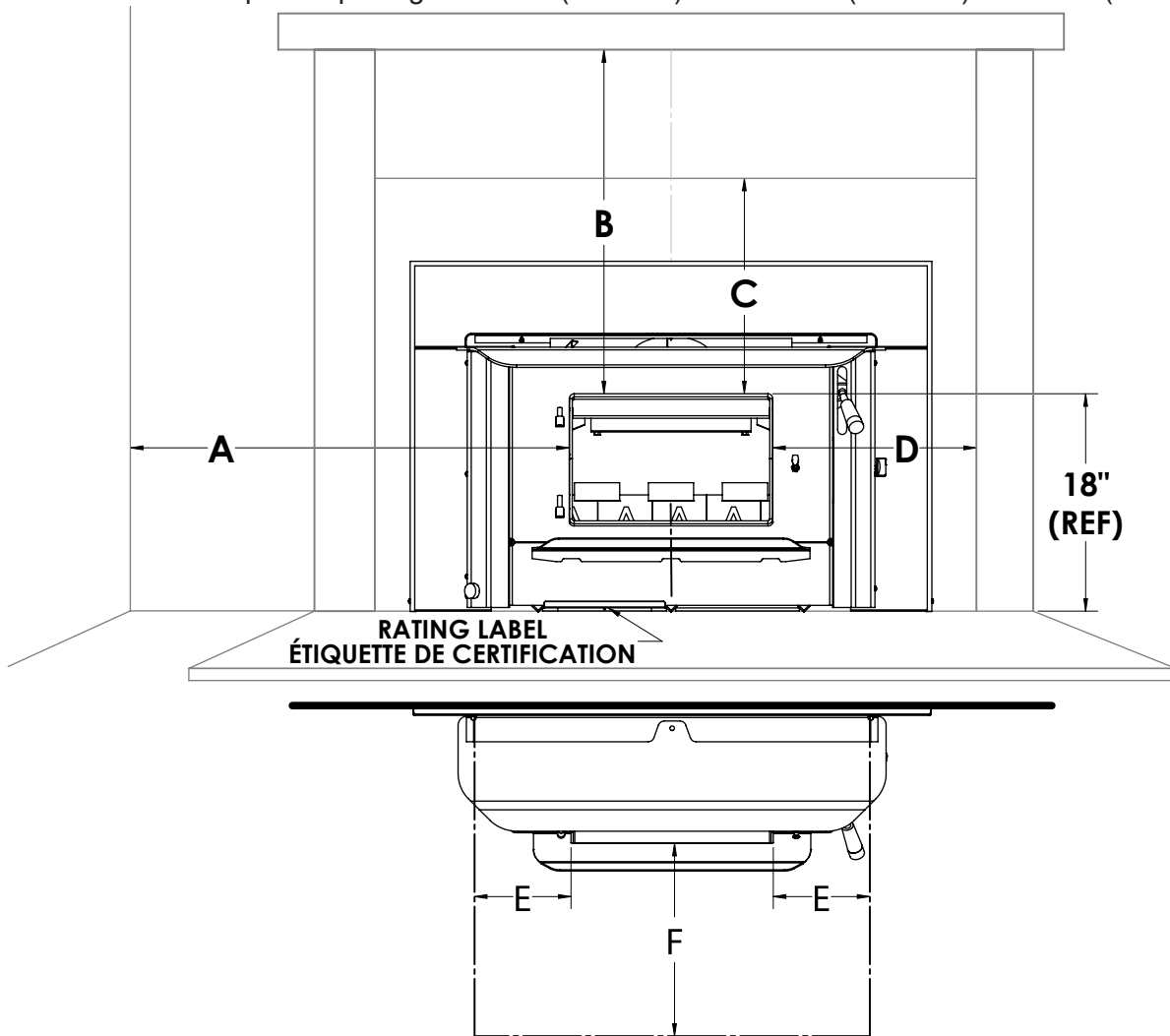
A	Side of door flange to combustible wall	17" (432 mm)
B	Top of door flange to bottom of 12" deep mantel shelf	26" (660 mm)
C	Top of door flange to combustible facing and trim (3/4" thick)	14" (356 mm)
D	Side of door flange to side combustible facing	15" (381 mm)
E	Minimum side hearth extension from door flange	8" (203 mm)
F	Minimum front hearth extension from door flange	16" (406 mm) in USA 18" (457 mm) in CANADA

**This appliance must be installed in compliance with all local codes and regulations.**

Refer to local codes and pipe manufacturer specs for required minimum clearances.

Minimum clearances may only be reduced by means approved by the regulatory authority.

Minimum fireplace opening is 25 3/4" (654 mm) W x 23 1/2" (597 mm) H x 12.5" (318 mm) D.



**FLOOR PROTECTION**

All installations require non-combustible floor protection extending 16" (in USA) or 18" (in Canada) in front of the door opening and extending 8" to either side of the door opening. Blaze King does not recommend adhesive based vinyl flooring in front of appliances due to thermal expansion and warping which could be permanent.