

AVERA 48

The Avera 48 fire pit is handmade by Dekko in North America. Ships with your choice of NG or LP burner, one decorative aggregate option and chrome On/Off key.

Size: 48"W x 25-3/4"D x 16"H
 CSA/US Approved Burner Assembly

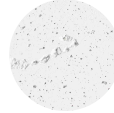


	Manual Ignition	Electronic Ignition
BTU/Hr	65,000	115,000
Weight	145 lbs	145 lbs
Fuel Options	NG/LP	NG/LP

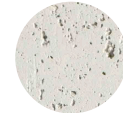
Optional Accessories:

- Propane Tank Cover 16"W x 16"D x 21"H
- Glass Wind Guard 43"W x 15"D x 6"H
- Vinyl Weather Cover
- Powder Coated Aluminium Table Top 48"W x 25-3/4"D

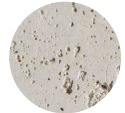
Colour Options



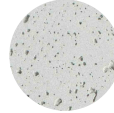
NATURAL



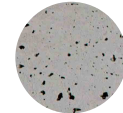
LIMESTONE



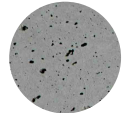
CLAY



ASH



SANDSTONE



CHARCOAL

Decorative Aggregate Options



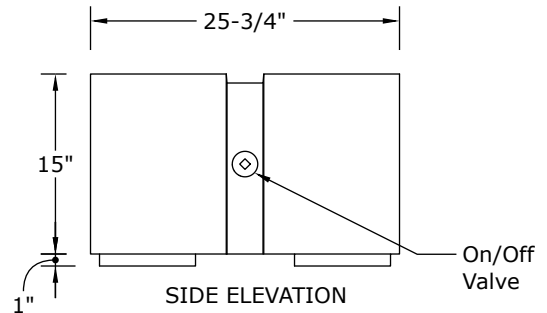
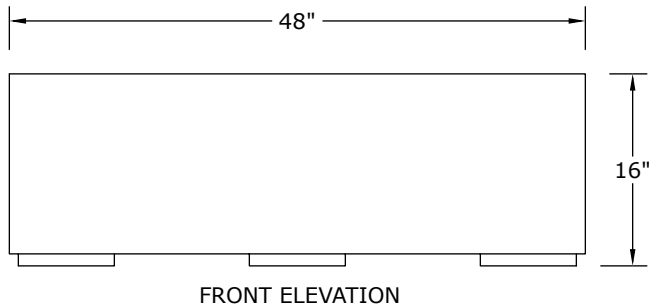
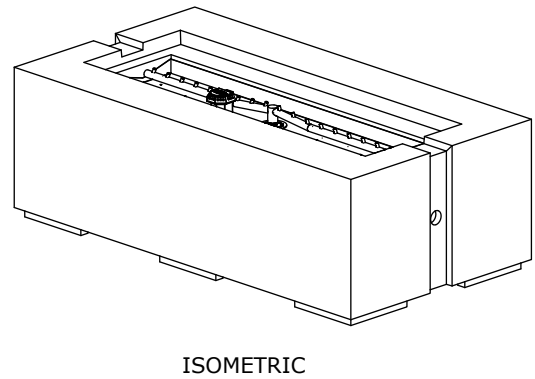
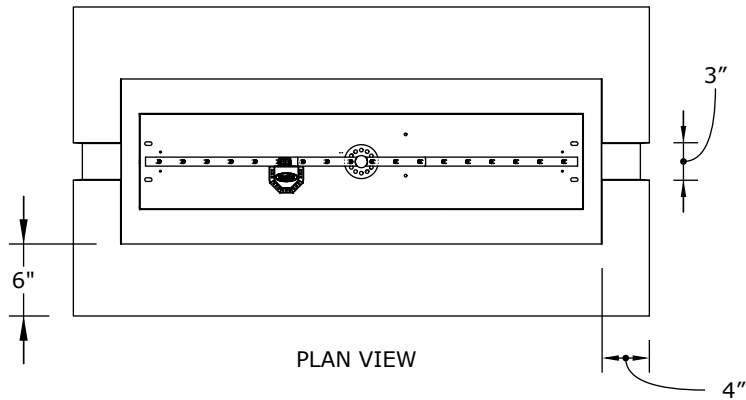
IVORY BEACH
STONE



SLATE BEACH
STONE

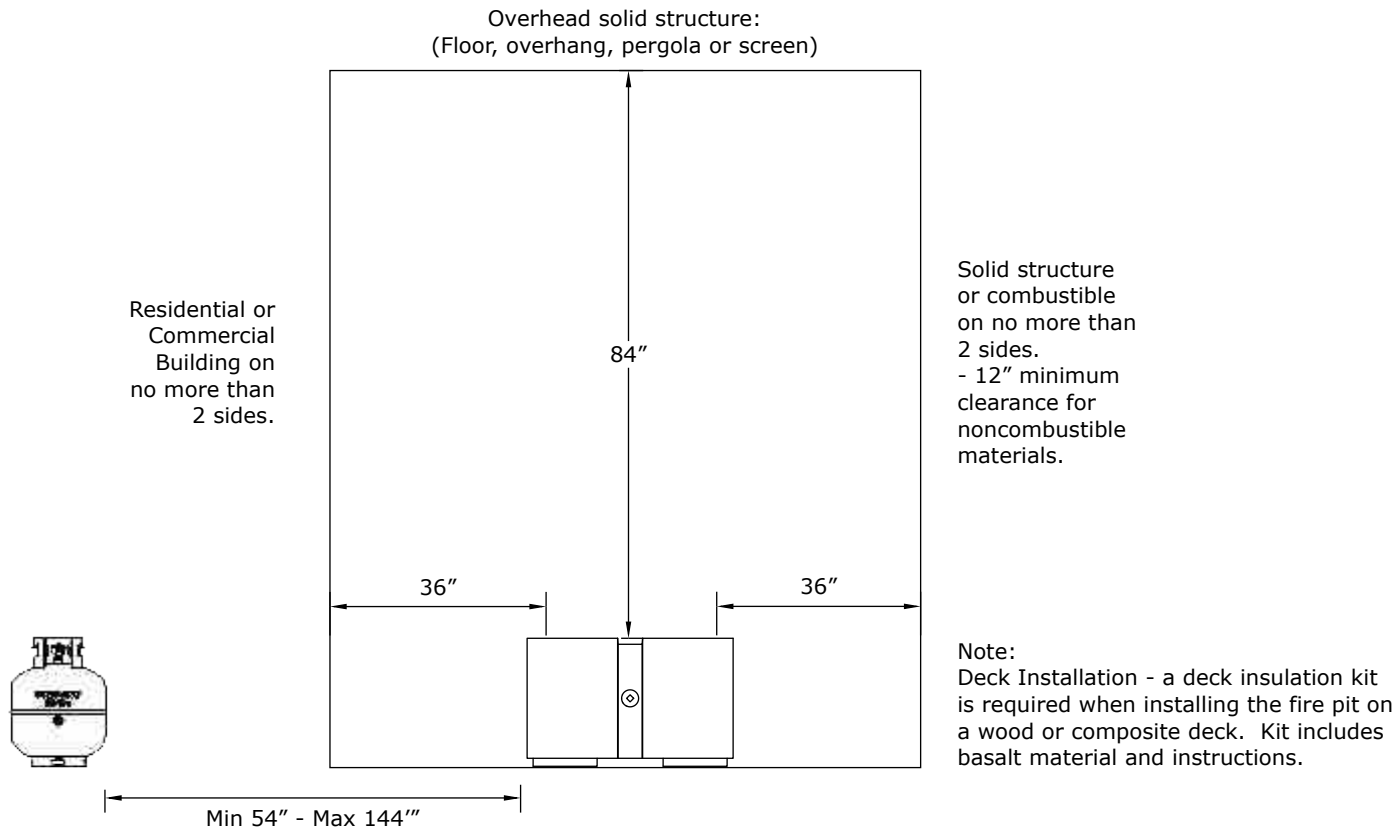


BLACK LAVA
ROCK



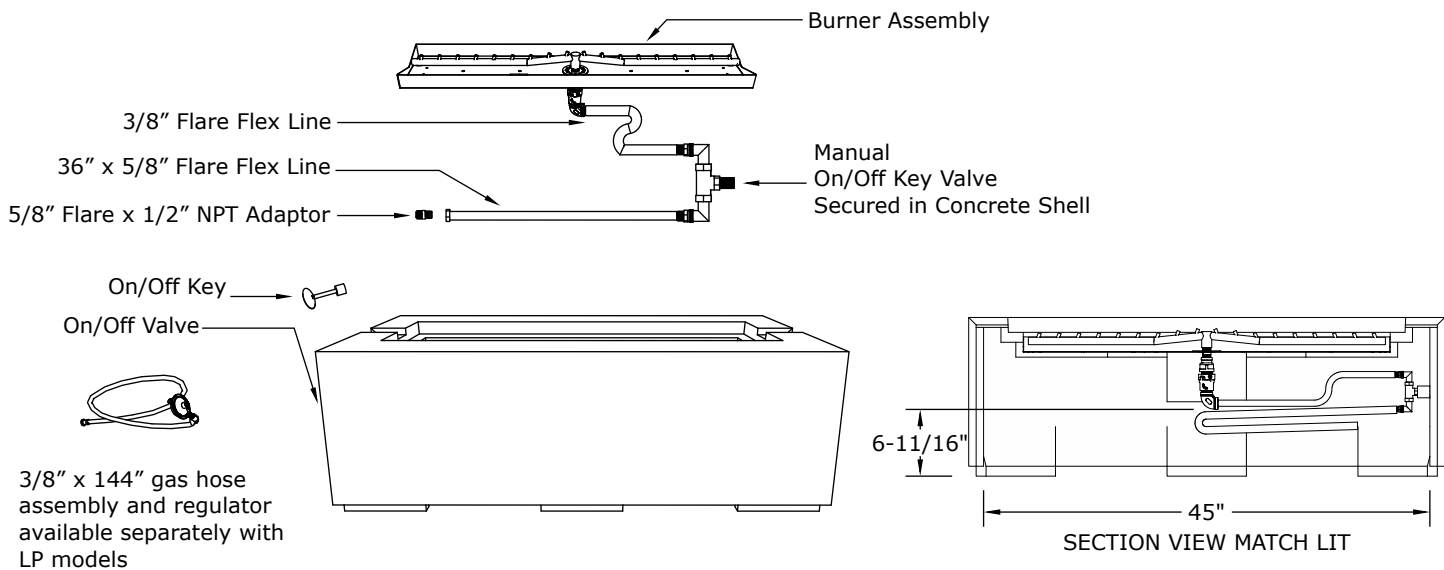


Clearances



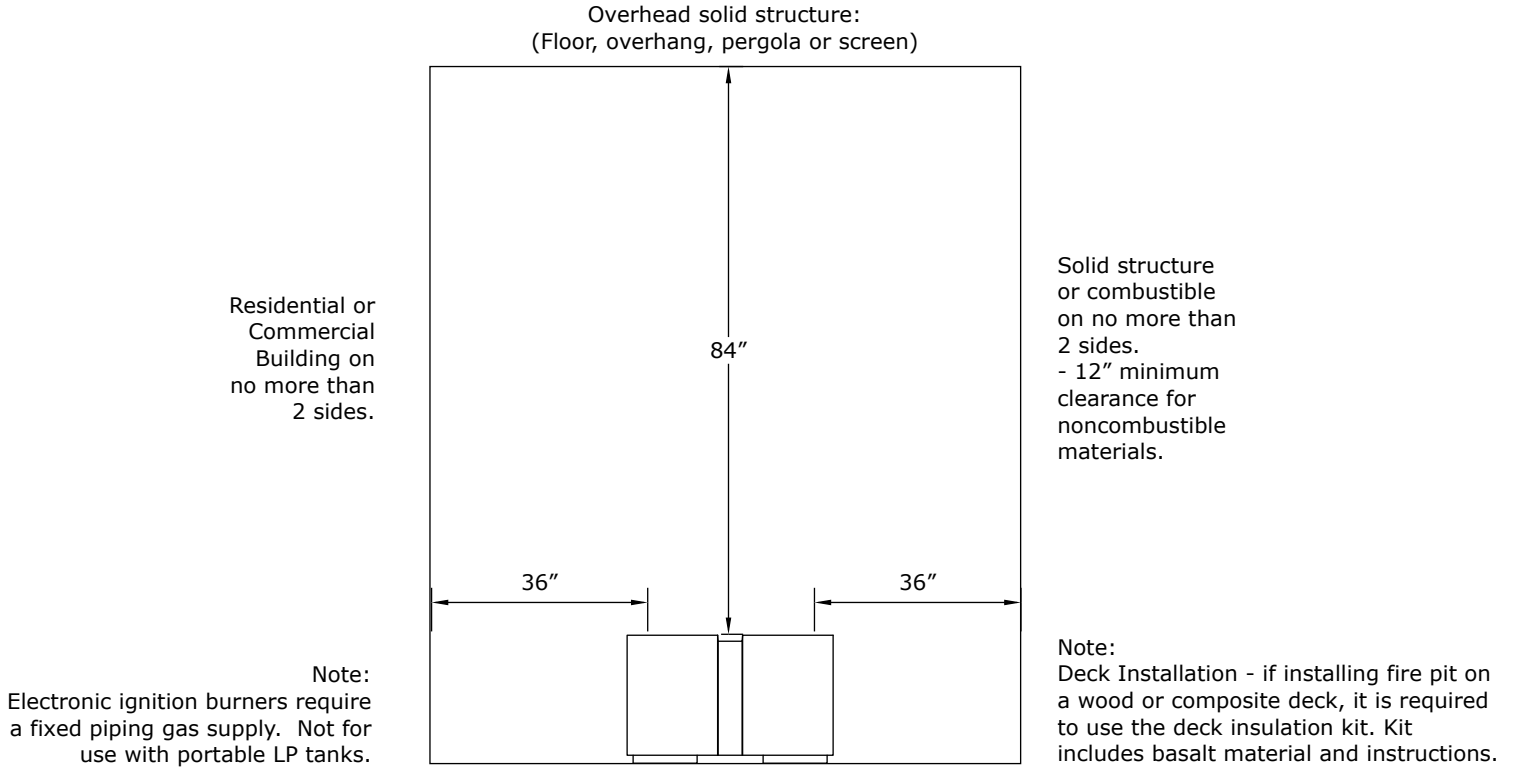
Burner Assembly

37" Match Lit Burner





Clearances



Burner Assembly

Electrical:
120V Outdoor receptacle required. Must be installed and grounded in accordance with local codes.

37" Electronic Ignition Burner

