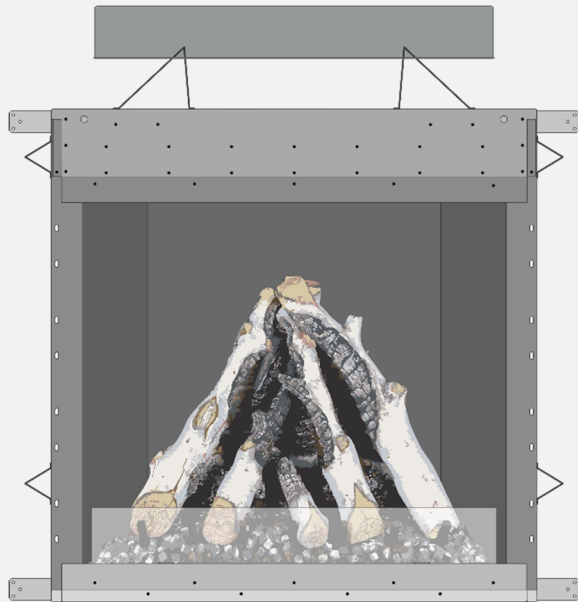


**Fire Garden™**  
**4035**  
**Outdoor Traditional**  
**Manual**



Listed by  
Omni-Test Laboratories, Inc.  
**Report # 0028GM148S**  
ANSI Z21.97-2017 /CSA 2.41-2017, CSA 2.17-2017  
Outdoor Decorative Gas Appliances



**⚠ DANGER**  
**FIRE OR EXPLOSION HAZARD**  
If you smell gas:

- Shut off gas to the appliance.
  - Extinguish any open flame.
  - If odor continues, leave the area immediately.
  - After leaving the area, call your gas supplier or fire department.
- Failure to follow these instructions could result in fire or explosion, which could cause property damage, personal injury, or death.

**⚠ WARNING**  
Do not store or use gasoline or other flammable vapors and liquids in the vicinity of this or any other appliance. An LP cylinder not connected for use shall not be stored in the vicinity of this or any other appliance.

**⚠ WARNING: For outdoor use only.** Installation and service must be performed by a qualified installer, service agency, or the gas supplier.

**⚠ WARNING: Improper installation, adjustment, alteration, service or maintenance can cause injury or property damage.** Read the installation, operating, and maintenance instructions thoroughly before installing or servicing this equipment.

**⚠ WARNING: If the information in this manual is not followed exactly, a fire or explosion may result causing property damage, personal injury, or loss of life.**

**INSTALLER: Leave this manual with the appliance.**  
**CONSUMER: Retain this manual for future reference**



**CARBON MONOXIDE HAZARD**

This appliance can produce carbon monoxide which has no odor.

Using it in an enclosed space can kill you.

Never use this appliance in an enclosed space such as a camper, tent, car, or home.

French language manuals at [firegarden.com](http://firegarden.com). Manuels de langue Française à [firegarden.com](http://firegarden.com)

## Overview

This manual details the installation, operation, and routine maintenance of the Outdoor Traditional Fireplace.

## Listing Details

This fireplace was tested to ANSI Z21.97-2017 / CSA 2.41-2017 “Outdoor Decorative Gas Appliances”, CSA 2.17-2017 - “Gas-Fired Appliances for Use at High Altitudes”. The listing label is chained to the appliance. A copy is shown to the right.

## Important Registration & Service Info

No other appliance has the same serial number as yours. The serial number is on the safety label attached by a chain under the media screen. This serial number will be needed in case you require service of any type. To receive full warranty coverage, you will need to show evidence of the date of purchase. Visit [traviswarranty.com](http://traviswarranty.com) to register your appliance. If any service issues arise, contact your dealer for assistance.

## National Fireplace Institute



**NATIONAL FIREPLACE INSTITUTE**  
**CERTIFIED**  
[www.nficertified.org](http://www.nficertified.org)

We recommend that our gas hearth products be installed and serviced by professionals who are certified in the U.S. by the National Fireplace Institute® (NFI) as NFI Gas Specialists.

## Dealer Information

Please record your dealer information here for future reference:


Dealer Name: \_\_\_\_\_

Dealer Address: \_\_\_\_\_

Dealer E-Mail: \_\_\_\_\_

Dealer Phone #: \_\_\_\_\_

**CALIFORNIA RESIDENTS**



**WARNING:** This product can expose you to chemicals including Carbon Monoxide and Benzene, which are known to the State of California to cause cancer, birth defects, or other reproductive harm. For more information go to [www.P65Warnings.ca.gov](http://www.P65Warnings.ca.gov).

Serial Number

GAS RATING

NG LP

7" WC

11" WC

7" WC

11" WC

6" WC

10" WC

**TRAVIS INDUSTRIES**  
**HOUSE OF FIRE**  
12521 Harbour Reach Drive  
Mukilteo, WA 98275

**OUTDOOR**  
**TRADITIONAL**

**FIRE GARDEN**<sup>®</sup>

**OMNI**<sup>®</sup> Test Laboratories, Inc.  
Report No. 0028GM146S

**Tested to:** ANSI Z21.97-2017 / CSA 2.41-2017 “Outdoor Decorative Gas Fireplace”, “CSA 2.17-2017 - “Gas-Fired Appliances for Use at High Altitudes”, Suitable for use in elevations of 0-4500 ft (0-1370 m). Electrical Rating: 24 VAC., 60 Hz, 1.6 Amps

For outdoor installation only. The gas supply must be turned off at the LP-gas supply cylinder when this appliance is not in use (if applicable). Cover must be removed when burner is in operation.

**GAS RATING**

Input Rating (BTU/h) \_\_\_\_\_

Front Burner Orifice \_\_\_\_\_

Rear Burner Orifice \_\_\_\_\_

Manifold Pressure \_\_\_\_\_

Max. Inlet Pressure \_\_\_\_\_

Min. Inlet Pressure \_\_\_\_\_

**MANUFACTURE DATE:**

<input type="checkbox"/> 2025	<input type="checkbox"/> Jan.	<input type="checkbox"/> Apr.	<input type="checkbox"/> Jul.	<input type="checkbox"/> Oct.
<input type="checkbox"/> 2026	<input type="checkbox"/> Feb.	<input type="checkbox"/> May	<input type="checkbox"/> Aug.	<input type="checkbox"/> Nov.
<input type="checkbox"/> 2027	<input type="checkbox"/> Mar.	<input type="checkbox"/> Jun.	<input type="checkbox"/> Sep.	<input type="checkbox"/> Dec.

**Min. Clearances to Combustible Materials\***

\*See manual for further details

Overview .....	2	Direct-Run Wire Length Chart .....	29
Listing Details.....	2	Wiring Examples:.....	29
Important Registration & Service Info.....	2	Hearth Requirements.....	30
Features:.....	5	Facing Requirements.....	30
Installation Options: .....	5	Mantel Requirements.....	31
Electrical Specifications: .....	5	Mantel Column Clearances .....	31
Appliance Weight: .....	5	Steps for Finalizing the Installation .....	32
Gas Specifications: .....	5	Removing the Burner Tray Assembly .....	32
Gas Pressures: .....	5	Accessing the Control Module and Electrical Connections .....	33
Fireplace Gas Specifications: .....	5	Making the Gas Connection.....	35
Fireplace Dimensions: .....	6	Black Glass Fireback Installation (sku 96100883) .....	37
Installation Warnings: .....	7	Compatibility .....	37
Recommended Order of Installation.....	7	Packing List .....	37
Packing List.....	7	Ceramic Fireback Installation (sku 96100883) .....	42
Lifting Handles (optional).....	8	Compatibility .....	42
Additional Items Required.....	8	Packing List .....	42
Weatherproofing the Installation .....	9	Assembling the Windbreak.....	46
Appliance Placement Requirements.....	9	Optional Oak or Birch Log Set.....	47
Fireplace Placement Chart .....	10	Compatibility.....	47
Clearances.....	11	Packing List.....	47
Minimum Framing Dimensions .....	11	Installation Warnings.....	47
Corner Framing.....	12	Installation – Oak vs. Birch .....	47
Televisions Placed Above the Fireplace.....	13	Log Set Overview - Oak (sku# 94500983).....	47
Enclosure Ventilation Requirements.....	14	Log Set Overview - Birch (sku# 94500982) .....	48
Supplied Ventilation Grill Dimensions & Framing .....	15	Log Set Installation .....	49
Fireplace Preparation .....	16	Before the First Fire .....	55
Gas Line Requirements .....	18	Operating Instructions.....	55
LP Conversion .....	19	Location of Controls.....	56
Electrical Connection Requirements.....	22	Maintaining Your Appliance .....	57
24VAC Transformer .....	22	Accessing Components .....	58
Single Appliance Installations .....	23	Accessing Pilot Assembly Components .....	58
24v Single Appliance Transformer (sku 94800833).....	23	Accessing the Pressure Tap .....	60
Multiple Appliance Installations.....	25	Removing the Burner Tray Assembly .....	61
24v Multiple Appliance Transformer (sku 94800830) .....	25	Winterizing the Appliance .....	62
Using More than One 24-volt Appliance .....	26	Yearly Service Procedure .....	62
Wiring Multiple Transformers to One Switch .....	26	Replacement Parts List.....	63
Wiring Multiple Appliances to One Transformer .....	27	Troubleshooting Table .....	64
Daisy-Chain Wire Length Chart.....	28	Wiring Diagram .....	66

- ! **This appliance must be installed in accordance with all local codes if any; if not, follow ANSI Z223.1.**
- ! **This appliance must only be used outdoors in a well-ventilated area. It may not be used in a building, garage, or other enclosed space.**
  - This appliance is not for use with solid fuel.
  - The fireplace must be kept clean and free of leaves and debris to ensure safe operation.
  - Any hose or gas supply line that is damaged or shows evidence of excessive abrasion or wear must be replaced prior to the use of the fireplace.
  - If using a gas supply line to the fireplace, make sure it is properly located away from any walkway or in an area where it may be subject to accidental damage.
  - Educate all children and adults about the dangers of the fireplace. Young children should be supervised when they are in the same area as the fireplace. Do not let children play with the fireplace.
  - Do not place clothing or other flammable items on or near the fireplace.
  - Any screen or guard removed for servicing must be replaced prior to operating the fireplace.
  - This unit must be installed and repaired by a qualified installer to prevent the possibility of an explosion. Your dealer will know the requirements in your area and can inform you of those people considered qualified. The fireplace should be inspected before use and at least annually by a qualified service person. More frequent cleaning may be required due to excessive debris from leaves, dirt, insects, etc.
  - Do not use this appliance if any part has been underwater. Immediately call a qualified service technician to inspect the appliance and replace any part of the control system and any gas control underwater.
  - The instructions in this manual must be strictly adhered to. Do not use makeshift methods or compromise in the installation. Improper installation will void the warranty and safety listing.
  - This appliance is approved for either natural gas (NG) or propane (LP). Burning the incorrect fuel will void the warranty and safety listing and may cause an extreme safety hazard. Direct questions about the type of fuel used to your dealer. A label is placed on the control panel to show which fuel the Fireplace is designed for.
- Contact your local building officials to obtain a permit and information on any installation restrictions or inspection requirements in your area.
- If the flame becomes sooty, dark orange in color, or extremely tall, do not operate the fireplace. Call your dealer and arrange for proper servicing.
- Do not operate the fireplace if it is not operating properly in any fashion or if you are uncertain. Call your dealer for a full explanation of your fireplace and what to expect.
- Do not store or use gasoline or other flammable liquids in the vicinity of this fireplace.
- Never remove, replace, modify, or substitute any part of the Fireplace unless instructions are given in this manual for routine maintenance and cleaning. A trained technician must do all other work. Do not modify or replace orifices.
- Allow the fireplace to cool before carrying out any maintenance or cleaning.
- Operate the fireplace according to the instructions included in this manual.
- If the burner does not start correctly turn the gas off at the gas control valve and call your dealer for service.
- Do not use this appliance to cook food.
- Instruct everyone in the house on how to shut the gas off to the fireplace and at the gas main shutoff valve. The gas main shutoff valve is usually next to the gas meter or propane tank and requires a wrench to shut off.
- Do not operate the Fireplace during a lightning storm or a possible lightning storm.
- Do not operate the fireplace during high wind conditions.
- Do not install in or on recreational vehicles and/or boats.
- Do not throw this manual away. This manual has important operating and maintenance instructions that you will need at a later time. Always follow the instructions in this manual.
- **Travis Industries, Inc. grants no warranty, implied or stated, for the installation or maintenance of your fireplace, and assumes no responsibility for any consequential damage(s).**

# Features and Specifications

5

## ***Features:***

- Electronic Ignition (switch turns fireplace on or off)
- Tempered glass windbreak
- Stainless Steel Construction
- Automatic Gas Shutoff Valve for Safety

## ***Installation Options:***

- For Outdoor Installation Only
- For Fixed Line Installations Only

## ***Electrical Specifications:***

Outdoor Traditional Fireplace	24 VAC., 60 Hz, 1.6 Amps.
-------------------------------	---------------------------

## ***Appliance Weight:***

Outdoor Traditional Fireplace	355 lbs (161kg)
-------------------------------	-----------------

## ***Gas Specifications:***

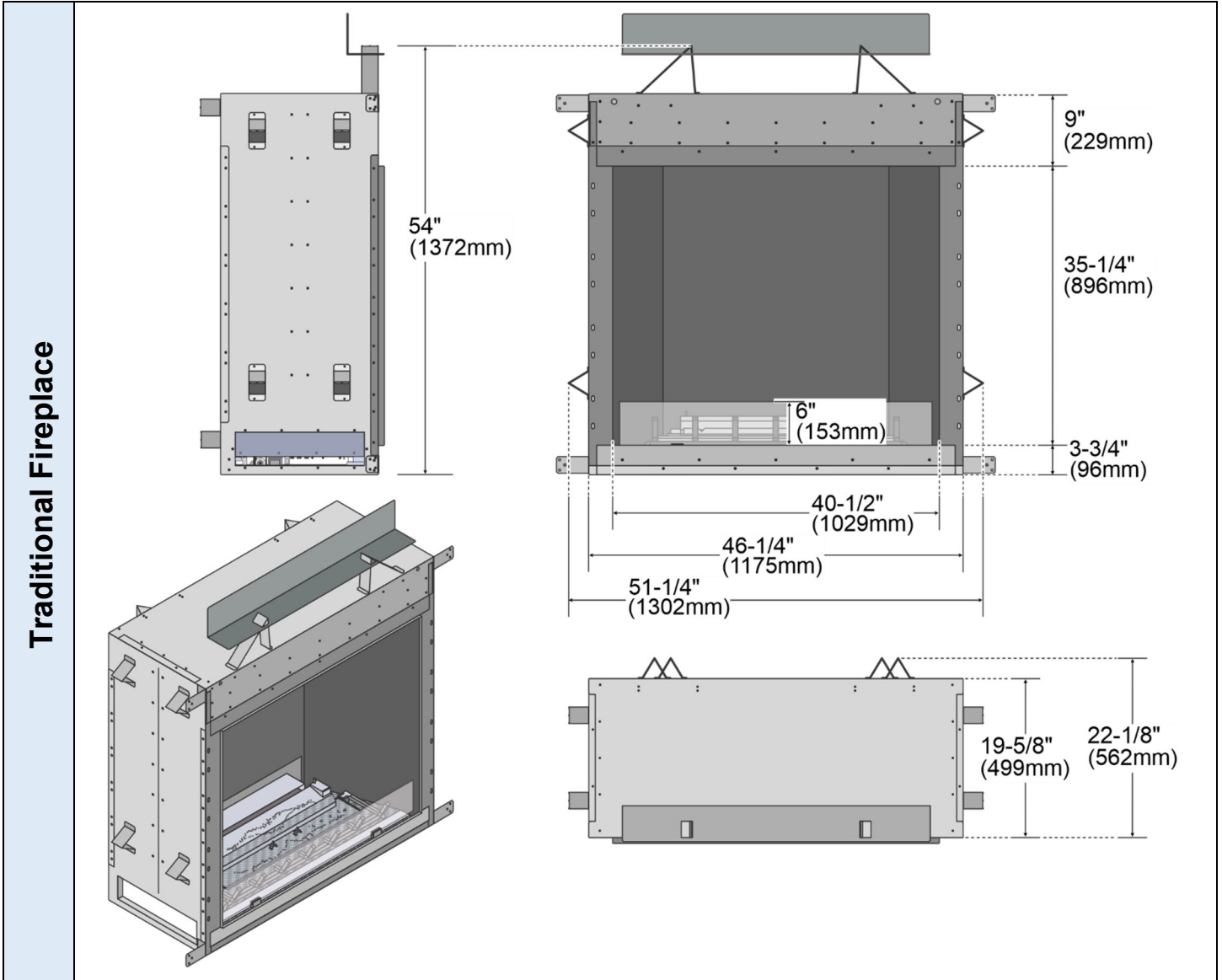
### ***Gas Pressures:***

	NG	LP
Manifold Pressure	7" wc	11" wc
Max. Inlet Pressure	7" wc	11" wc
Min. Inlet Pressure	6" wc	10" wc

### ***Fireplace Gas Specifications:***

	NG	LP
Input Rating (BTU/h)	95,000	95,000
Orifice Size (DMS)	(1) - #39 Front & (1) - #30 Rear	(1) - #50 Front & (1) - #44 Rear

## Fireplace Dimensions:



## ***Installation Warnings:***

---

- ! This appliance is designed for outdoor use only, in well-ventilated areas.
- ! Failure to follow all of the requirements may result in property damage, bodily injury, or even death.
- ! This fireplace must be installed by a qualified installer.
- ! This appliance is designed to operate on natural gas, or propane (LP).
- ! This appliance requires a switched, 110v AC, GFCI (ground-fault circuit interrupter) protected power supply. This circuit provides power to the 24v AC transformer.
- ! Notify your insurance company before hooking up this appliance. All relevant information on the fireplace is located on page 2, *Important Information*. You provide them page 2.
- ! The requirements listed below are divided into sections. All requirements must be met simultaneously. The order of installation is not rigid – the qualified installer should follow the procedure best suited for the installation.

## ***Recommended Order of Installation***

---

1. **CAREFULLY PLAN THE INSTALLATION.** Determine the location of the fireplace and the controls for the fireplace. Make sure all clearances are met, (see page 11).
2. Construct the fireplace platform (for raised fireplaces only)
3. Frame the fireplace enclosure (see page 11)
4. Supply Gas: The appliance requires 95,000 BTU input (natural gas or LP). A shutoff valve and 34 inches of flex line are provided to assist connection from the supply line to the fireplace valve. The shutoff valve accepts 3/4" MPT (male pipe thread). Before turning the gas on to the fireplace, leak-test all gas line connections. Convert the appliance to LP gas if applicable.
5. Supply Electrical: The appliance uses 24VAC power and draws approximately 1.6 amps - Make sure the circuit and wiring are appropriately sized (see diagrams starting on pg. 23.). If multiple appliances are powered through a single switch the control modules for each of the individual appliances may be daisy-chained together. Make sure to leave slack in the electrical line so the fireplace or fire pit tray can be removed for service.
6. Bleed the gas line and start the fireplace by switching on the electrical power to the control module. Leak test the gas lines. Verify the appliance works correctly and there are no gas leaks.
7. Install the required non-combustible material around the face of the fireplace (see page 30), non-combustible finish material, and mantel as desired (see page 31).
8. Finalize the installation. Install firebacks, glass windbreak, and log media.
9. Give the manual to the homeowner and explain the operation of the fireplace.

## ***Packing List***

---

- 34" Long 1" Flex line with Shutoff Valve (accepts 3/4" MPT)
- Glass Windbreak and hardware
- (2) Enclosure ventilation grilles
- LP Conversion Kit (see "LP Conversion" on page 19 for details).
- Wall Switch and wall switch cover.

# 8

# Installation (qualified installers only)

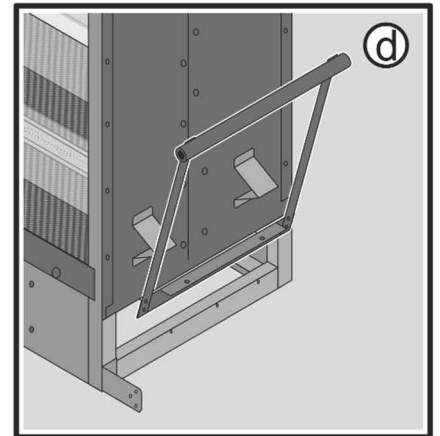
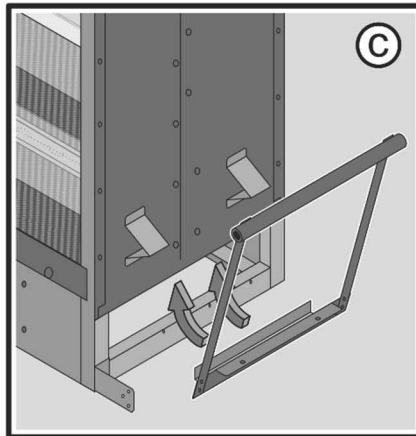
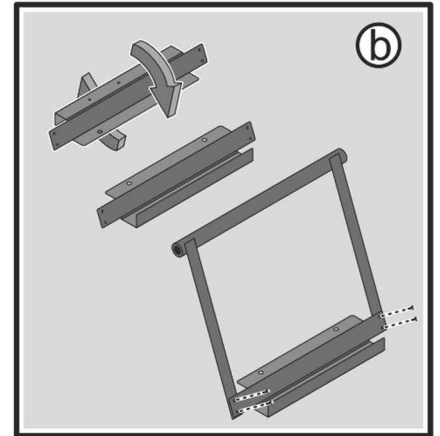
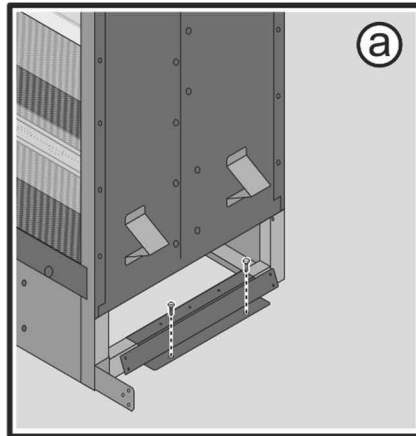
## ***Lifting Handles (optional)***

Travis Industries makes an optional lifting handle kit (sku# 98500711) that can be helpful when moving the fireplace during installation (see illustrations to right).

To use the lifting handles:

- (a) remove the shipping bracket that secures the fireplace to the pallet (you may discard the lag bolts)
- (b) Turn the shipping bracket over. Use the bolts included with the lifting handles to secure the shipping brackets to the lifting handles.
- (c) Hook the lifting handle bracket under the side of the fireplace
- (d) Lift the fireplace into place. Remove the handles and proceed with the installation.

Contact your Fire Garden dealer for pricing and availability of the lifting handle kit.



## ***Additional Items Required***

- Gas Line Equipment (Pipe, pipe fittings, thread sealant, etc.)
- 24volt transformer
  - Travis Industries provides the following transformer options:
    - Travis Industries 24V AC Single Appliance Transformer (94800833)
    - Travis Industries 24V AC Multiple Appliance Transformer (94800830)
- Low voltage wire (from the transformer to the appliance)
- High voltage wire (from house circuit to transformer)
- Weatherproof enclosure for wall switch (only needed if the switch is to be installed outdoors).
- Media (log set)
- Firebacks

## Weatherproofing the Installation

This appliance is designed to withstand being installed outdoors in the elements; however, the enclosure will need to be designed and constructed to withstand the same. The builder must provide a means for water to escape the enclosure that is appropriate and specific to the site of the installation. This may necessitate improving ground drainage, the fabrication of a drain pan, the creation of weep holes in the base of the enclosure, or building a roof over the appliance (covers over the appliance must meet all the requirements detailed in this manual).

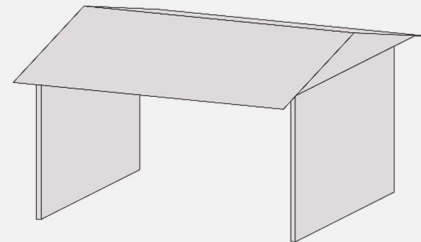
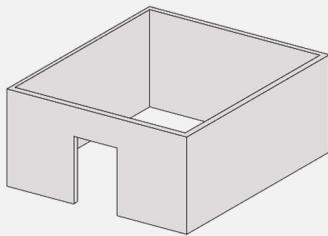
## Appliance Placement Requirements

**! For Outdoor Use Only. Install in well-ventilated areas.**

### WARNING

**The appliance is considered to be “outdoors” if installed with shelter no more inclusive than:**

- Walls on all sides, but with no overhead cover.
- Within a partial enclosure that includes an overhead cover and no more than two sidewalls. The sidewalls may be parallel, as in a breezeway, or at right angles to each other.

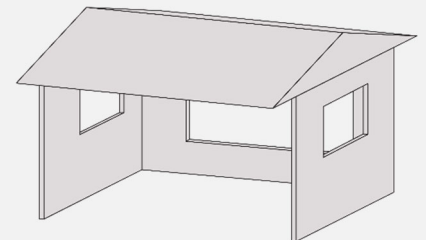


- Within a partial enclosure that includes an overhead cover and three sidewalls, as long as 30 percent or more of the wall area of the enclosure is permanently open.

To calculate

- multiply the length of the walls by the height of the walls to get square feet.
- Add the square feet of all 3 walls together.
- Multiply the total by 0.3 to get the amount of square feet required to be open.

<b>Wall 1</b> - L x H =	_____	ft <sup>2</sup>
<b>Wall 2</b> - L x H =	_____	ft <sup>2</sup>
<b>Wall 3</b> - L x H =	_____	ft <sup>2</sup>
<b>Wall 4</b> – Must Be Open		
<b>Combined Total</b> =	_____	ft <sup>2</sup>



Take the combined total above and multiply by 0.3 to get 30% of the combined total which is the **MINIMUM** open space required for all windows and doors combined (must be open at all times - no operable doors or glass coverings). If the openings are screened, **check with the local authority having jurisdiction before proceeding.**

- The appliance must be installed on a level surface capable of supporting the appliance's weight.
- The appliance must be placed directly on a wood or non-combustible surface.
- The appliance should be located out of traffic and away from furniture and draperies.
- The distance from the bottom of the appliance to the ceiling above must be a minimum of 90"

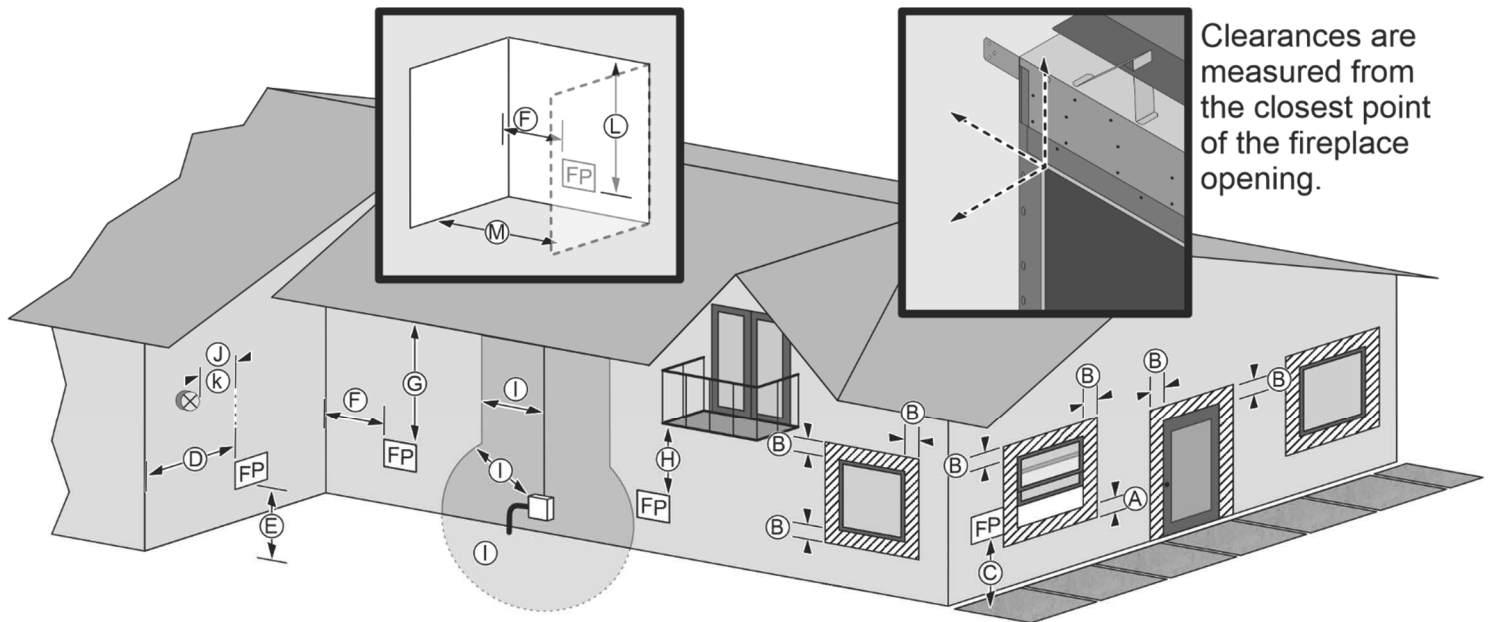
### Do Not Locate the Appliance:

- In high-traffic areas.
- Under or near trees, plants, and buildings where debris may constantly fall into the appliance. Excessive debris will require high maintenance and/or cause malfunctioning of the appliance.
- In places where people, children, and pets may contact the appliance. Guards or fences around the appliance in these locations are recommended.
- In places where the controls beneath the appliance may be submerged underwater. Submerging any part of its controls may require the complete replacement of the controls.

# 10

# Installation (qualified installers only)

## Fireplace Placement Chart

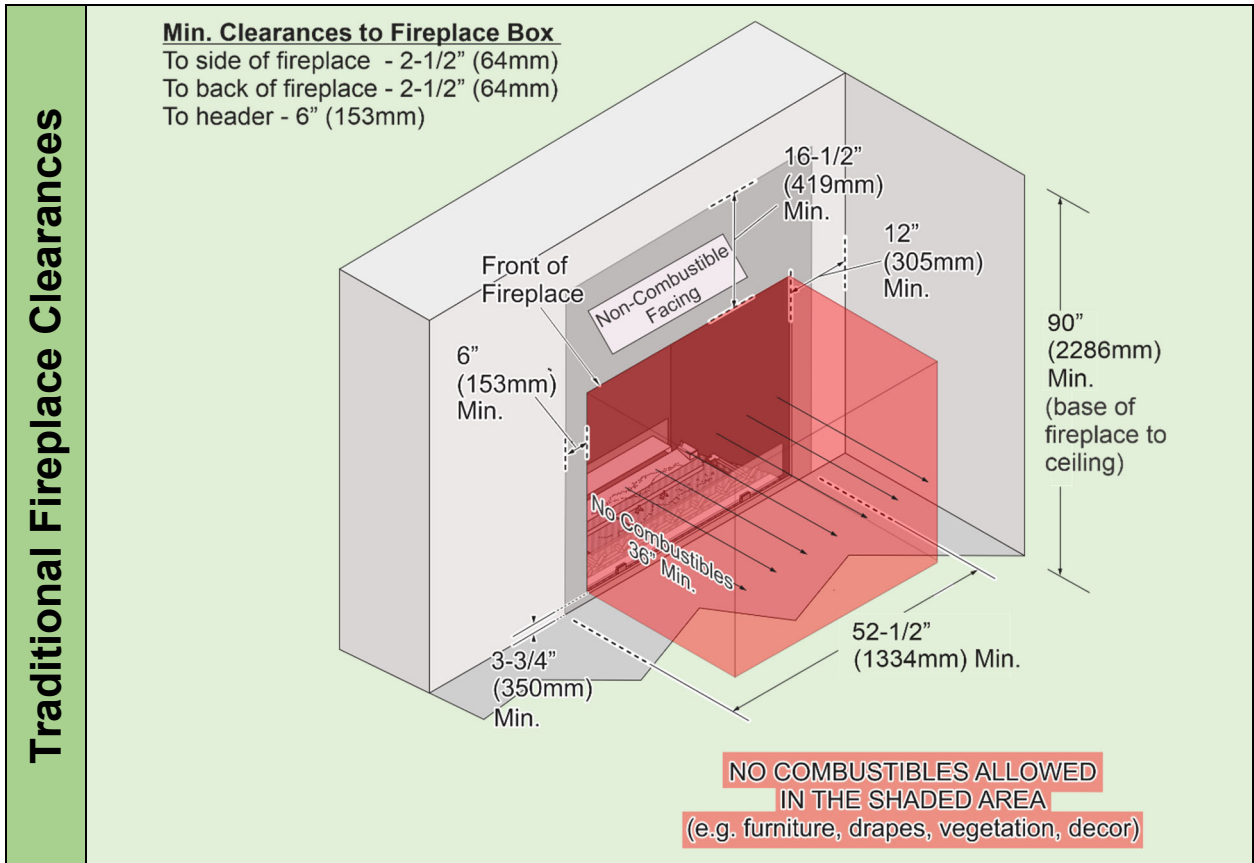


Clearances are measured from the closest point of the fireplace opening.

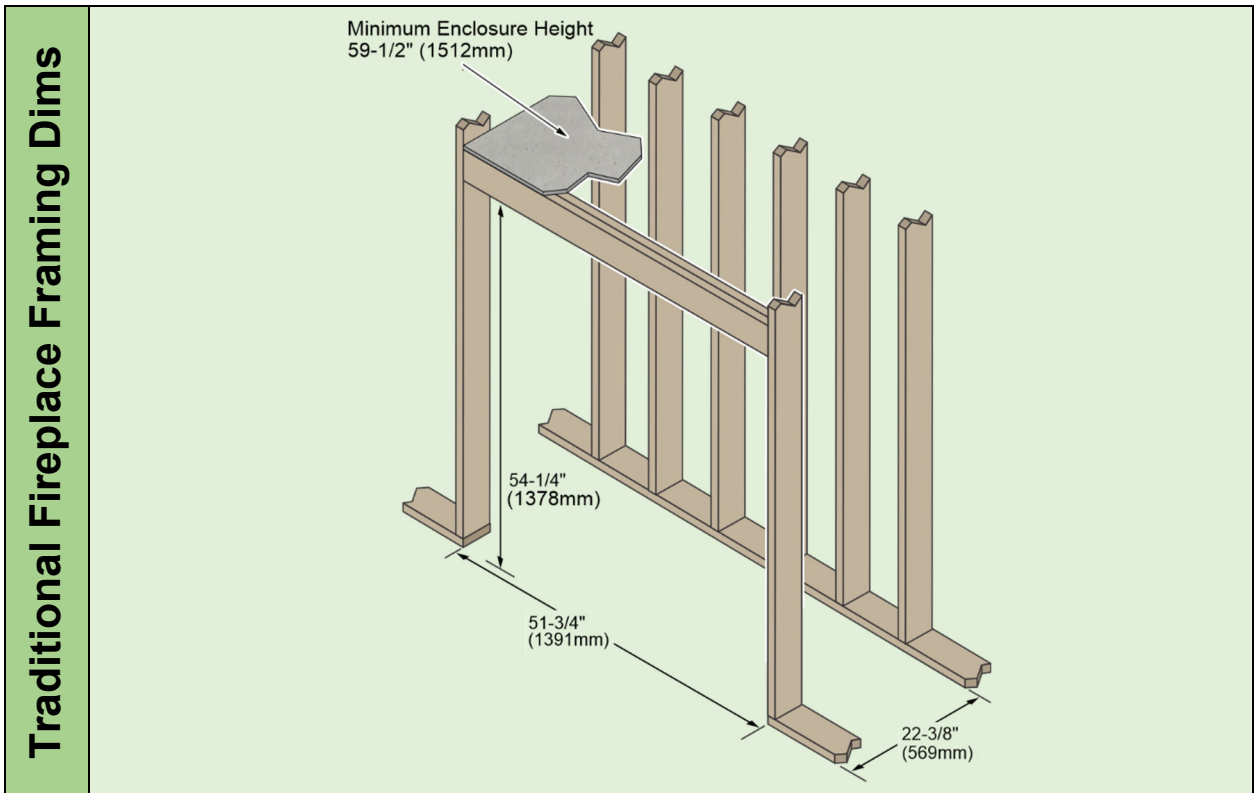
<b>A</b>	clearance below an operable window	72" (1829mm)
<b>B</b>	clearance to side or above operable window or door, or inoperable windows	12" (305mm)
<b>C</b>	clearance above a paved sidewalk or driveway located on public property	USA - 36" (915mm) CAN - 64" (1626mm)
<b>D</b>	clearance to outside corner	6" (152mm)
<b>E</b>	clearances above grade, veranda, porch, deck, or balcony	3-3/4" (95mm)
<b>F</b>	clearance to inside corner	12" (305mm) ..... vinyl window or siding 48" (1220mm)
<b>G</b>	vertical clearance to unvented soffit or vented soffit located above the fireplace	65" (1651mm) ..... vinyl soffit or plastic 72" (1829mm)
<b>H</b>	clearance under veranda, porch, deck, balcony, or overhang	65" (1651mm)
<b>I</b>	clearance to service regulator vent outlet and electric service	USA - 36" (915mm) CAN - 64" (1626mm)
<b>J</b>	clearance to non-mechanical air supply inlet to building or the combustion air inlet to any other appliance	USA - 9" (229mm) CAN - 12" (305mm)
<b>K</b>	clearance to a mechanical air supply inlet.	USA - 36" (915mm) CAN - 64" (1626mm)
<b>L</b>	minimum alcove height	90" (2286mm)
<b>M</b>	minimum width of alcove	76-1/2" (1943mm)

**NOTE:** All clearances are measured from the closest point of the fireplace opening.

## Clearances

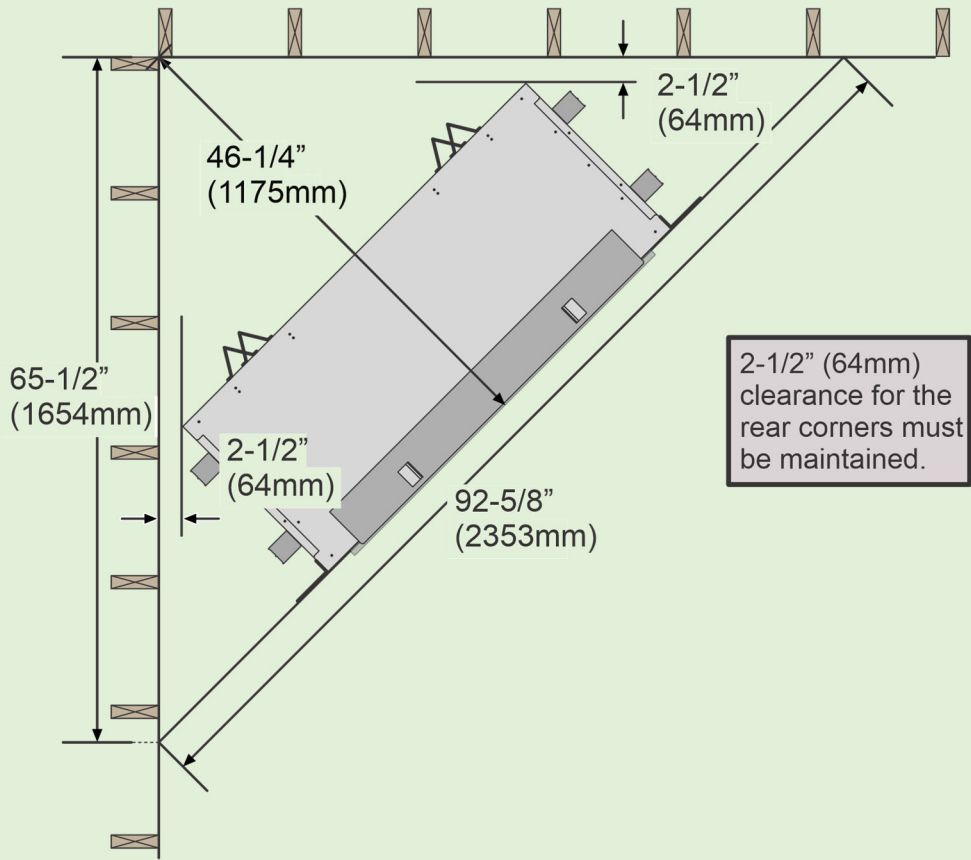


## Minimum Framing Dimensions



Corner Framing

Traditional Fireplace Corner Framing Dims

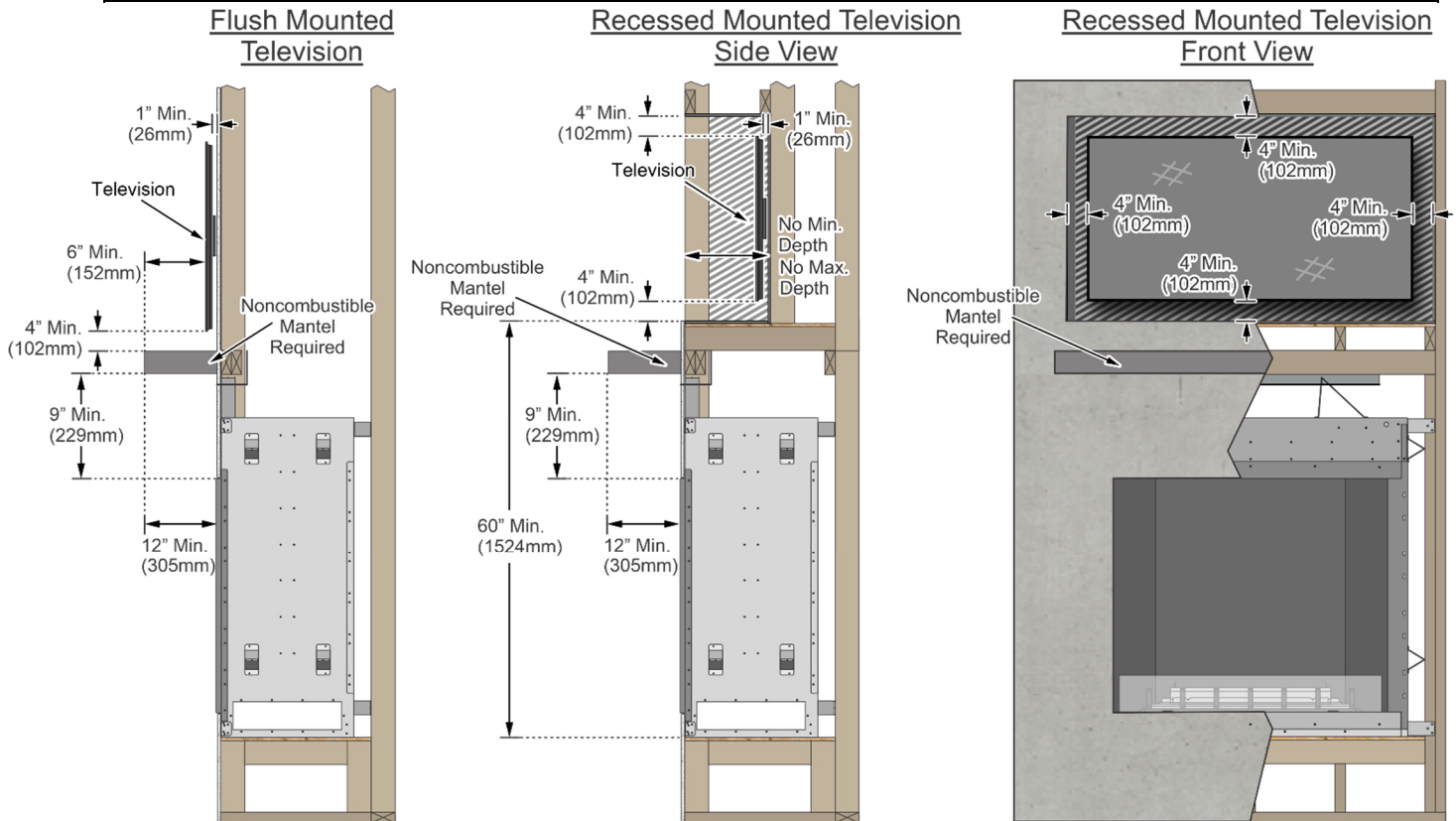


## Televisions Placed Above the Fireplace

The following section details recommendations for installing a television above the Fire Garden Outdoor Traditional fireplace.

### **IMPORTANT NOTE REGARDING TELEVISIONS AND THIS FIREPLACE**

Most television manufacturers instruct the homeowner not to place the television above a heat source. Doing so may negatively affect the longevity of the television and may negate the warranty. If you do place a television above the fireplace, please be aware of the large amount of heat generated by the fireplace and consider placing the television above a mantel to reduce the amount of heat that reaches the television. The homeowner must understand that Travis Industries does not take responsibility for any negative impact on televisions placed near this fireplace.



### **Minimum Dimensions:**

#### **Flush Mounted Television Installations**

(a) Mantel Height above Base of Fireplace	48" (1219mm) with 12" (203mm) mantel depth
(b) Mantel Depth*	Minimum 12" (203mm)
(c) Noncombustible Mantle Required	

#### **Recessed Mounted Television Installations**

(a) Mantel height above base of fireplace	48" (1219mm) with 12" (203mm) mantel depth
(b) Mantel depth*	Minimum 12" (203mm)
(c) Floor of recessed cavity base of fireplace	60" (1524mm) minimum
(d) Gap around outer edge of television (top, sides, bottom)	4" (102mm)
(e) Noncombustible Mantle Required	

#### **\* Mantel depth should be a minimum of 12" in depth to allow heat to dissipate**

- The mantel must be noncombustible.
- The mantel should extend a minimum of 6" in front of the television and 4" to both sides.
- If recessed, maintain a 4" gap between the top, sides, and bottom of the enclosure and the TV.

**WIRING NOTE:** If running wiring into the enclosure, you may wish to use thermal insulating wrap around the wiring. Secure the wiring to protect it from contact with hot surfaces.

## Enclosure Ventilation Requirements

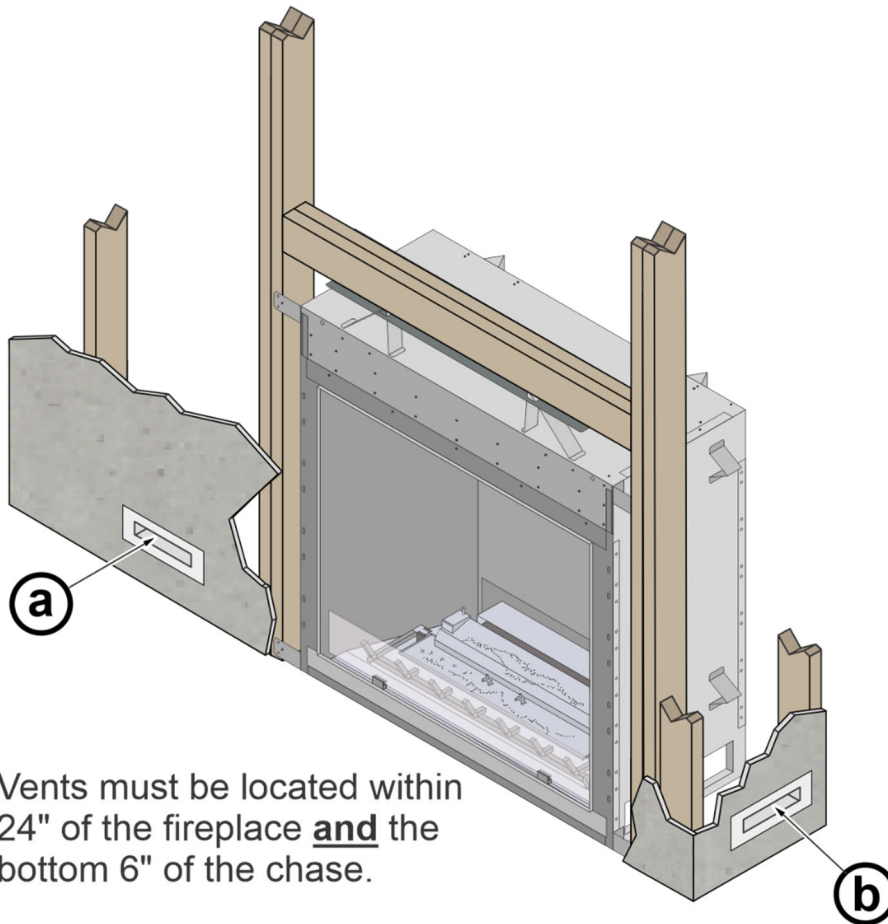
The chase (fireplace enclosure) must be ventilated to provide proper fireplace cooling (see illustration below for details). (2) Grills are included for this purpose.

### **WARNING**

The chase must be ventilated in accordance with the requirements listed below to allow for proper fireplace cooling. Failure to do this will create a severe fire risk. The ventilation grills must be installed within 24" of the appliance and 6" from the bottom of the chase.


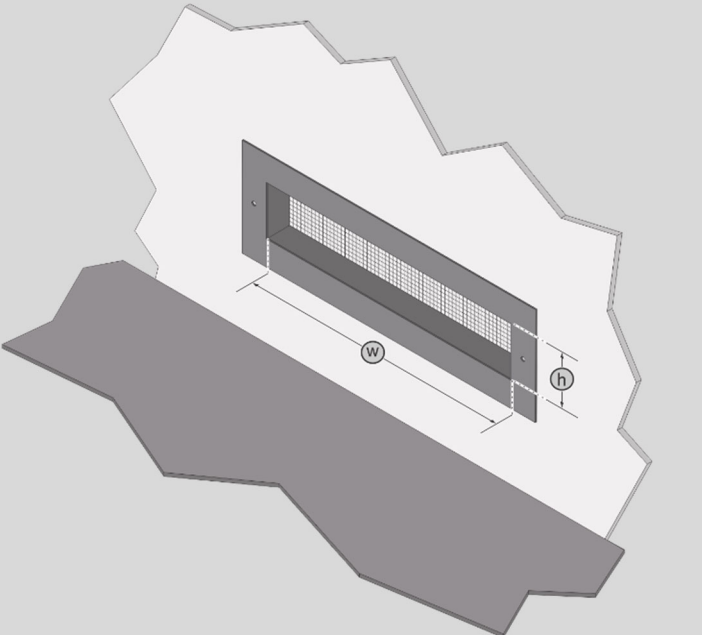

### **Enclosure Ventilation Overview**

- The chase may be ventilated from the front (a) or the sides (b). Each vent must provide a minimum of **24 square inches** of free area.



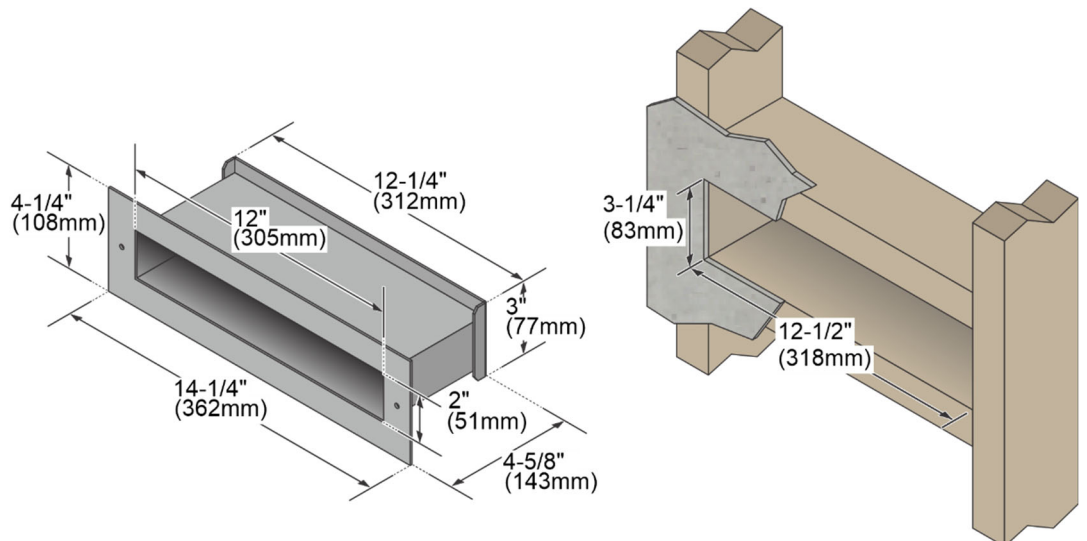
## Enclosure Ventilation Grills

- Use grills to ventilate the enclosure. The grills must provide 24 square inches of free area opening (12 square inches each) into the enclosure cavity. The grills must be located within 24" of the appliance.
- The grills must be attached directly to the chase or enclosure cavity.
- The grills must have a 1/4" screen to prevent debris, etc., from entering the enclosure.
- The grills should not be placed in a location where they could become blocked.
- The ventilation air for the enclosure MUST be drawn from outdoor air only.
- Facing may be applied over the flange of the grills but cannot protrude over the screened opening.
- The grills may be painted.
- **The grills must be located within 24" of the appliance.**
- **The grills must be located within the bottom 6" of the chase.**

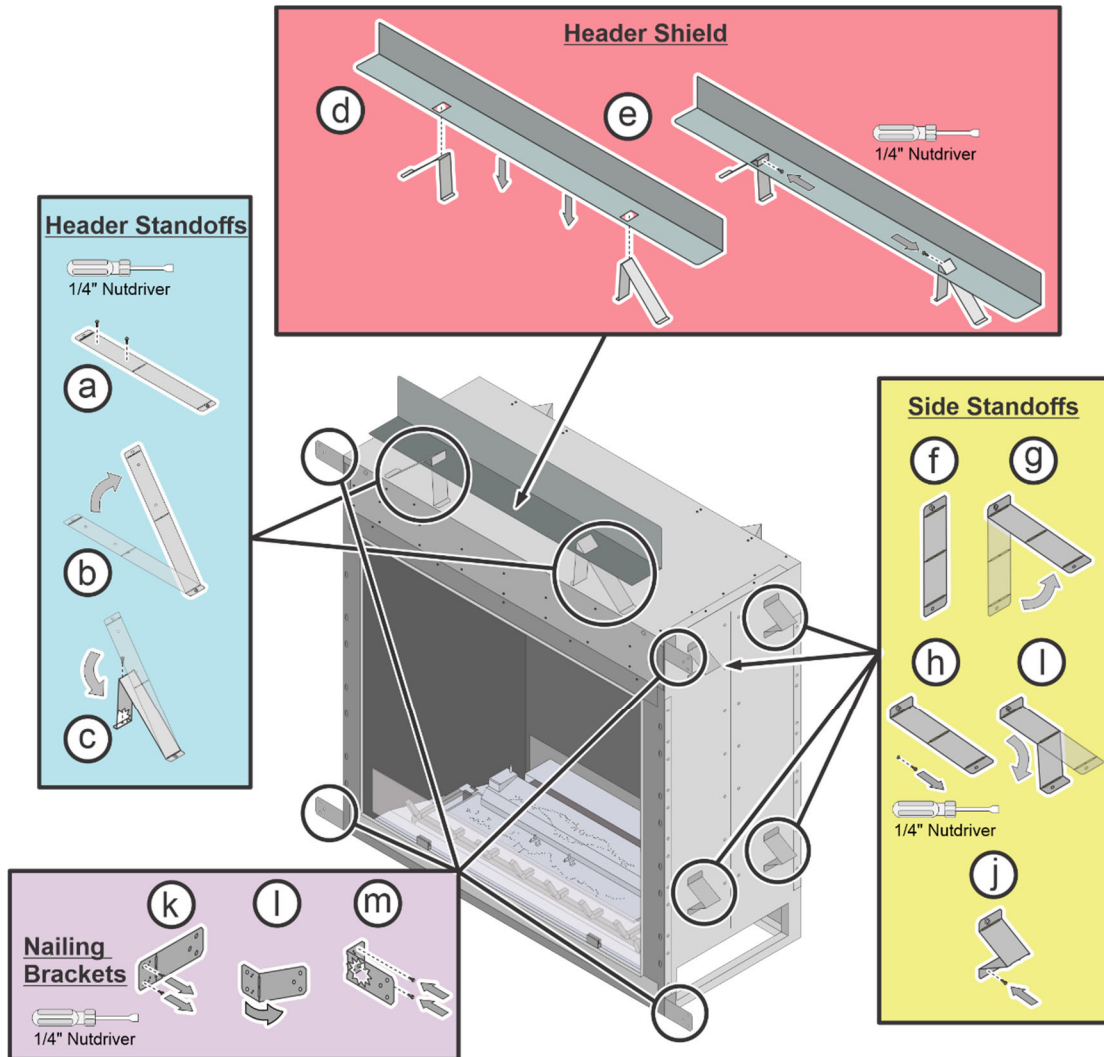
<p><b>Example: If (w) = 4" and (h) = 2"</b></p> <p>4" x 2" = 8 square inches 8" &lt; 12" (the minimum)</p> <p style="text-align: center;"></p> <p style="text-align: center;"><b>NOT LARGE ENOUGH</b></p>	
<p><b>Example: If (w) = 12" and (h) = 2"</b></p> <p>6" x 2" = 12 square inches 12" &gt; 12" (the minimum)</p> <p style="text-align: center;"></p> <p style="text-align: center;"><b>LARGE ENOUGH</b></p>	

## Supplied Ventilation Grill Dimensions & Framing

There are (2) ventilation grills supplied with the appliance. If using the supplied ventilation grills, see the framing dimensions to the right.

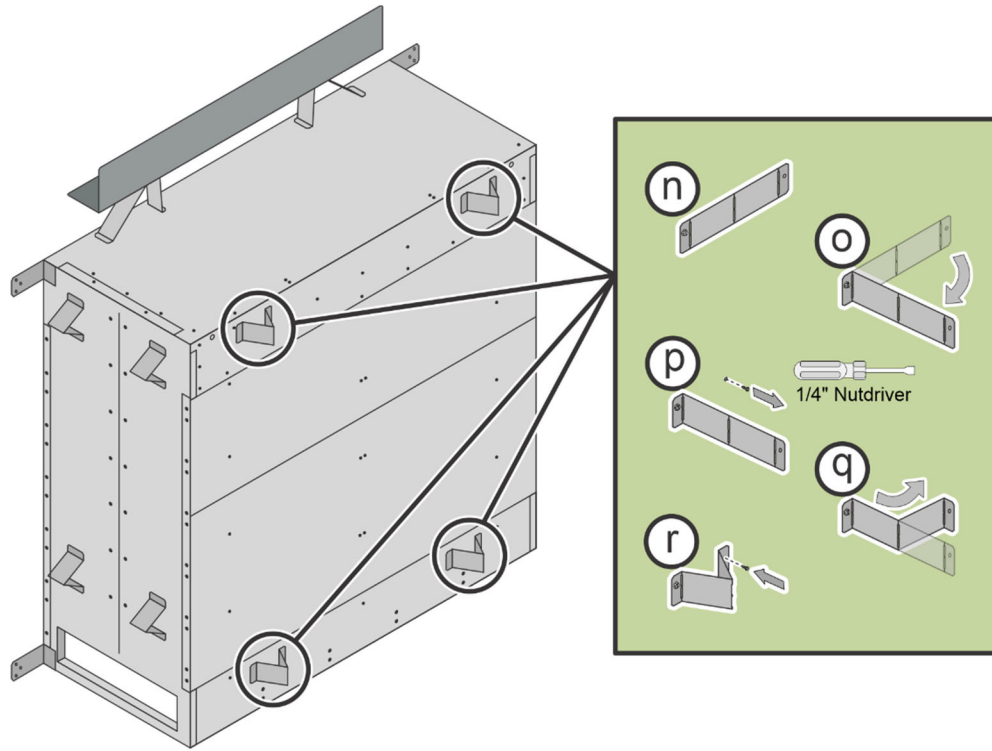


## Fireplace Preparation



(a)	Use a 1/4" nut driver to remove the (2) screws shown in the diagram above. <b>NOTE: Both</b> screws are used in later steps.	(f)	Locate the flat side standoffs on either end of the appliance.
(b)	Bend the standoff upward	(g)	Bend the standoff upward to gain access to a screw located underneath it.
(c)	Bend the standoff at the middle perforation as shown in the diagram and use (1) of the screws removed in step (a) to secure the center, the loose end of the standoff to the top of the fireplace. Repeat steps (a) through (c) for the other header standoff(s).	(h)	Use a 1/4" nut driver to remove the screw
		(l)	Bend the standoff at the perforations to form a triangle shape as shown in the diagram.
		(j)	Secure the lower portion of the standoff to the fireplace using the screw removed in step (h).
(d)	Set the header shield onto the standoffs as shown in the diagram.	(k)	Use a 1/4" nut driver to remove the flat nailing flange from the side of the fireplace. <b>NOTE:</b> set the screws aside for reinstallation.
(e)	Secure the shield(s) to the standoffs using the extra screws removed in step (a)	(l)	Bend the standoff 90° at the perforations.
		(m)	Use the (2) screws removed in step (k) to secure the nailing flange to the side of the fireplace. Repeat steps (k) through (m) for the other nailing flanges.

## Fireplace Preparation (Continued)



n	Locate the (4) flat rear standoffs on either end and the top and bottom of the rear of the appliance.
o	Bend the standoff upward to gain access to a screw located underneath it.
p	Use a 1/4" nut driver to remove the screw.
q	Bend the standoff at the perforations to form a triangle shape as shown in the diagram.
r	Secure the lower portion of the standoff to the fireplace using the screw removed in step (p).

## Gas Line Requirements

### MASSACHUSETTS INSTALLATIONS - WARNING:

THIS PRODUCT MUST BE INSTALLED BY A LICENSED PLUMBER OR GAS FITTER WHEN INSTALLED WITHIN THE COMMONWEALTH OF MASSACHUSETTS.

#### OTHER MASSACHUSETTS CODE REQUIREMENTS:

- Flexible connector must not be longer than 36 inches.
- Shutoff must be a "T" handle gas cock.
- Only direct vent sealed combustion products are approved for bedrooms or bathrooms.
- Fireplace dampers must be removed or welded in the open position prior to the installation of a fireplace insert or gas log.
- A carbon monoxide (CO) detector is required in the same room as the appliance.

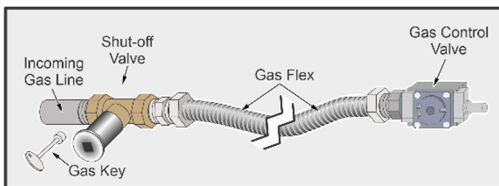
! The gas line must be installed in accordance with all local codes or, in the absence of local codes, with the National Fuel Gas Code, ANSI Z223.1/NFPA 54, International Fuel Gas Code, Natural Gas, and Propane Installation Code, CSA B149.1, or Propane Storage and Handling Code, B149.2, as applicable. Consult your local gas supplier or propane gas dealer for code regulations and recommended procedures.

! The fireplace and gas control module must be disconnected from the gas supply piping during any pressure testing of that system at test pressures in excess of 1/2 psig. For pressures less than 1/2 psig, isolate the gas supply piping by closing the manual shut-off valve.

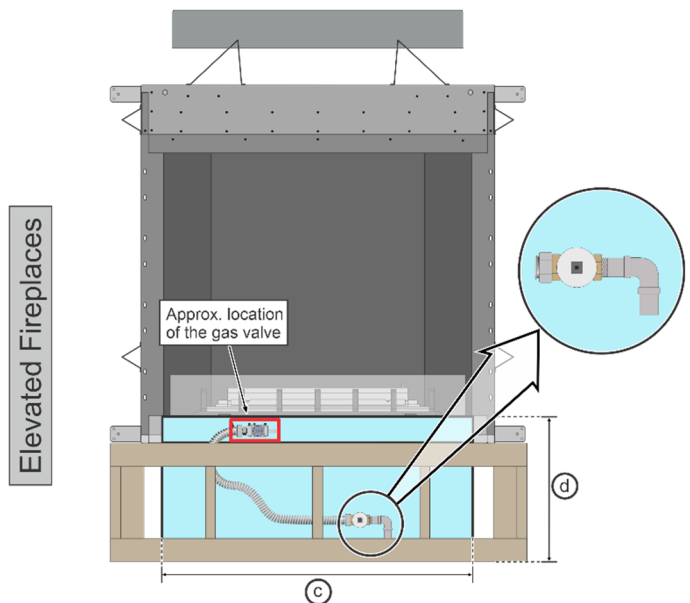
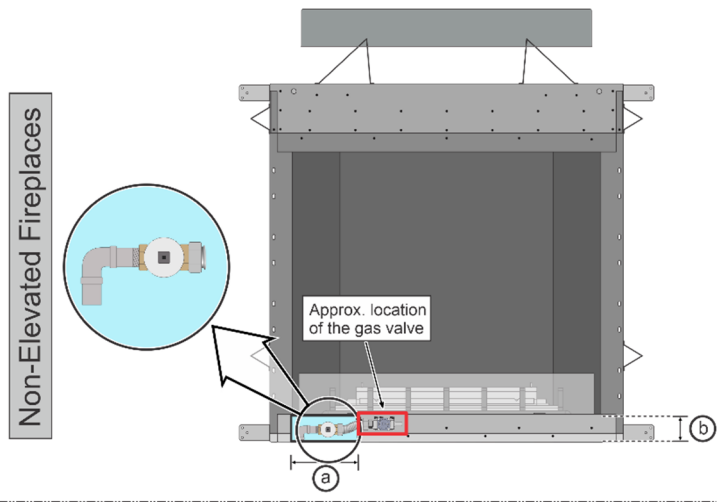
! Leak test all gas line joints and the gas control valve prior to and after starting the fireplace.

### Gas Line Connection

- Installation must be performed by a qualified installer, service agency, or the gas supplier (In Massachusetts a licensed plumber/gasfitter).
- An accessible manual gas shutoff valve is required on the gas supply to the fireplace and must be installed upstream of the fireplace gas valve. A shut-off valve is included with the fireplace. Check with the local authority having jurisdiction for any additional requirements.
- The supply regulator (the regulator that attaches directly to the residence inlet or the propane tank) should supply gas at the required input pressure detailed in the section "Gas Specifications" on page 5. Contact the local gas supplier if the regulator is at an improper pressure.
- The gas can be stubbed into the area under the appliance indicated by the shaded boxes (see diagrams to the right).
- The appliance comes with a 34" flex.
- Connect the incoming gas line to the flex (the flex accepts 3/4" MPT)



Traditional Fireplace	
a	7" (178mm) from left side
b	2" (51mm)
c	40-1/2" (1029mm)
d	2" (51mm) + Height of framing



## LP Conversion

The appliance is configured for NG gas from the factory but comes with a kit to convert the unit from natural gas to propane.

The LP conversion kit contains:

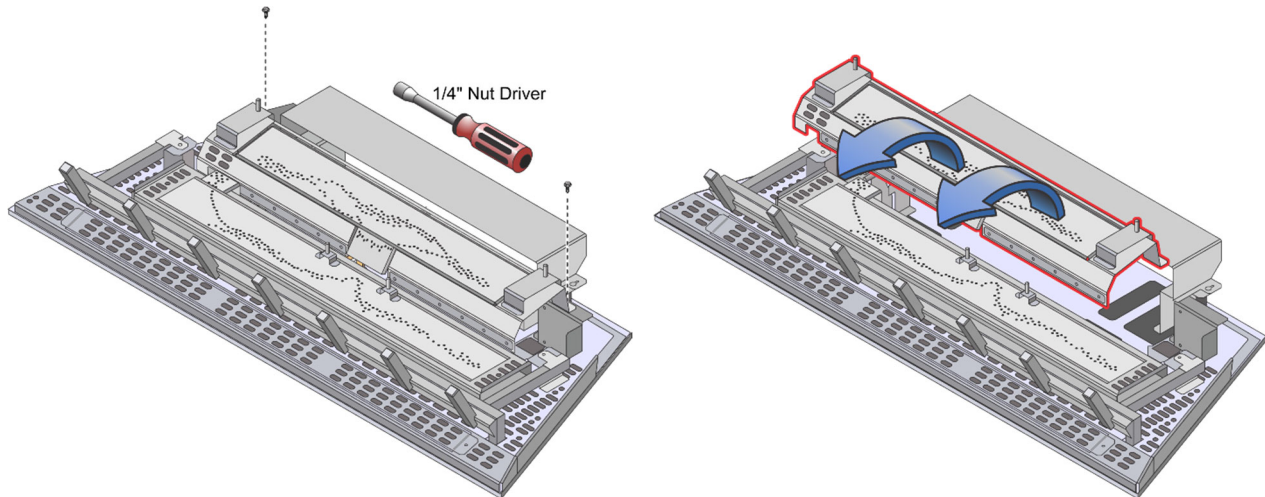
	Qty.	Rear Orifice Size	Qty.	Front Orifice Size
Outdoor Traditional	(1)	#44	(1)	#50

### ! WARNING !

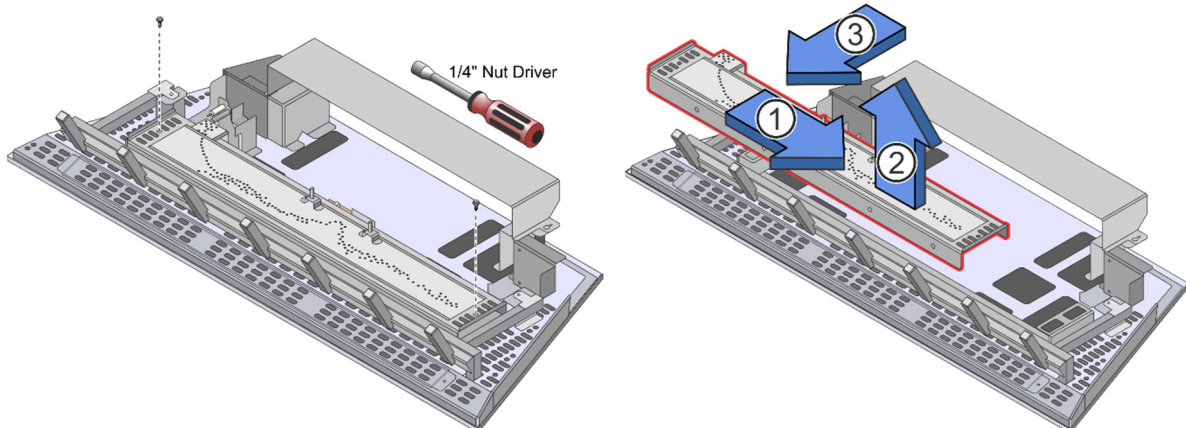
This conversion kit shall be installed by a qualified service agency in accordance with the manufacturer's instructions and all applicable codes and requirements of the authority having jurisdiction. If the information in these instructions is not followed exactly, a fire, explosion, or production of carbon monoxide may result causing property damage, personal injury, or loss of life. The qualified service agency is responsible for the proper installation of this kit. The installation is not proper and complete until the operation of the converted appliance is checked as specified in the manufacturer's instructions supplied with the kit.

**CAUTION** The gas supply shall be shut off prior to disconnecting the electrical power, before proceeding with the conversion.

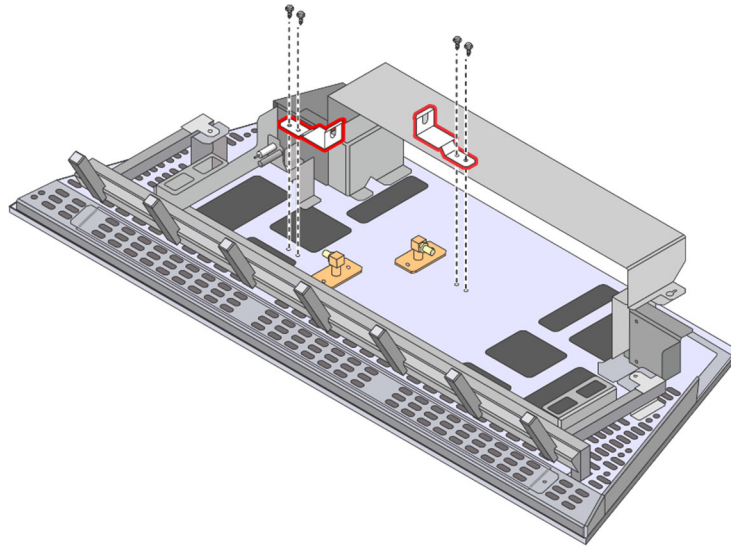
1. Remove the rear burner. Use a 1/4" nut driver to remove the screws that secure the burner to the assembly (set the screws aside for reinstallation). Lift up on the burner and remove it from the firebox (see below).



2. Remove the front burner. Slide the front burner right, then up, and finally out of the firebox (see below).

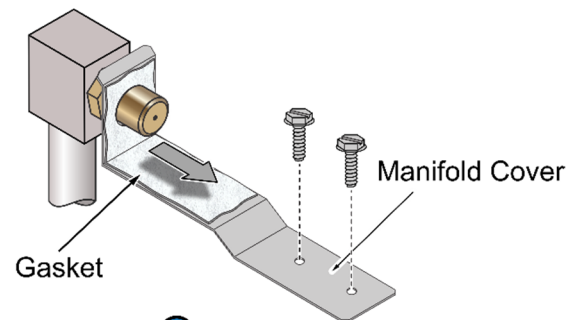
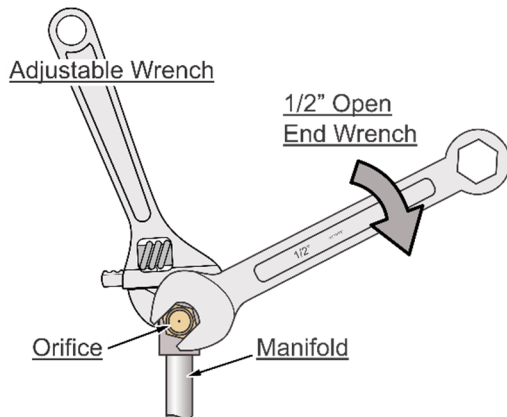


3. Remove and discard the (2) stock manifold covers. Use a 1/4" nut driver to remove the screws that secure the manifold covers to the burner tray.

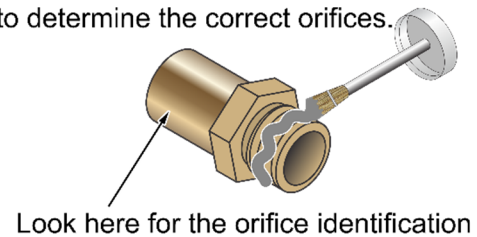


4. Replace both burner orifices following the steps below.

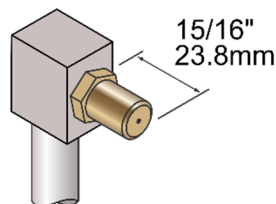
- a** Remove the manifold cover(s) and gasket(s) that are around the burner orifice(s).
- b** Use an adjustable wrench to support the manifold while removing each orifice with a 1/2" wrench.



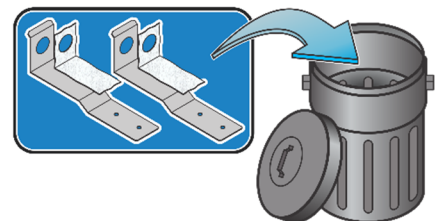
- c** Apply thread sealant to the LP orifices prior to installation. Use the chart in the "Gas Specifications" section to determine the correct orifices.



- d** Screw each LP orifice until the orifice protrudes 15/16" (23.8mm) indicating full insertion (use a wrench to support the manifold when re-attaching the orifice).



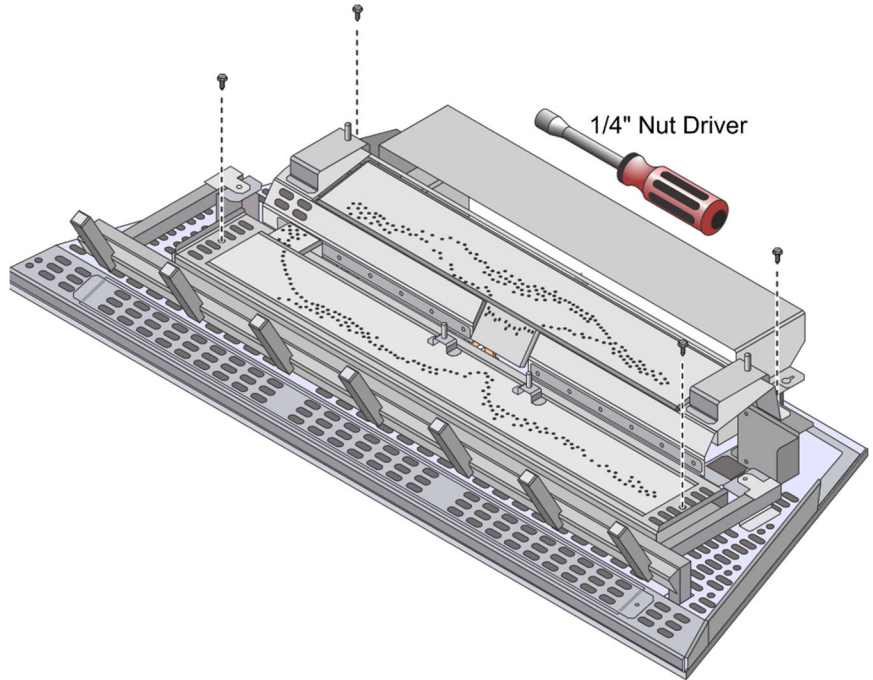
- e** Do not reinstall the manifold covers & gaskets when using LP gas.



5. Return the firebox to the correct configuration.

**NOTE:** Make sure to secure the burners with the screws removed previously.

6. Make the gas line connection, bleed the gas line, start the heater, and thoroughly leak-test all gas connections and the gas control valve.



***Electrical Connection Requirements***

- ! The appliance, when installed, must be electrically grounded in accordance with local codes, or in the absence of local codes with the National Electrical Code, ANSI/NFPA 70; or the Canadian Electrical Code, CSA C22.1
- ! The electrical line must be installed by a qualified installer and must meet all local codes. Consult your local building official for code regulations and recommended procedures.
- ! The 24VAC transformer may require a circuit protected by a GFCI (see local building codes).
- ! Use a transformer to convert 120VAC power to 24VAC power for the appliance. Supply the transformer with 120VAC at approximately 0.9 amps - make sure the circuit and wiring is appropriately sized. The power supply must be routed through a switch to turn the appliance on and off (see pg. 23). Multiple Travis Industries, Inc. 24-volt appliances may be placed on a single circuit. Each appliance uses 24VAC at approximately 1.6 amps - Make sure the circuit and wiring is appropriately sized (see diagrams starting on pg. 23.). If multiple appliances are powered through a single switch the control modules for each of the individual appliances may be daisy-chained together.

**24VAC Transformer**

- This appliance must be used with a 24VAC switched circuit. The transformer is sold separately.
- Travis Industries offers the following two transformers:
  - 94800833 Powers (1) 24VAC appliance (120v input only). See the instruction sheet included with the transformer for details.
  - 94800830 Powers (1) to (6) 24VAC appliances (120v input only with 26v and 28v output leads). See the instruction sheet included with the transformer for details.

**Important Information**

Some jurisdictions and commercial applications require an emergency shutoff for the appliance. If a shutoff is required, we recommend the shutoff shown to the left (or equivalent).

SCHNEIDER ELECTRIC Push Button Control Station  
Mfr. Model: XALD164H29H7  
Contact Rating: 10A @ 600V AC

Refer to the switch manufacturer's instructions, the National Electric Code, and the local authority having jurisdiction for proper installation or any additional requirements.

## Single Appliance Installations

When installing a single appliance, we recommend using the Single Appliance Transformer (sku 94800833). This transformer can only power a single appliance. If powering multiple appliances with a single transformer use the higher capacity transformer (sku 94800830).

### 24v Single Appliance Transformer (sku 94800833)



**Hazardous Voltage can shock, burn, or cause death. Disconnect all input power before installing or maintaining this equipment.**

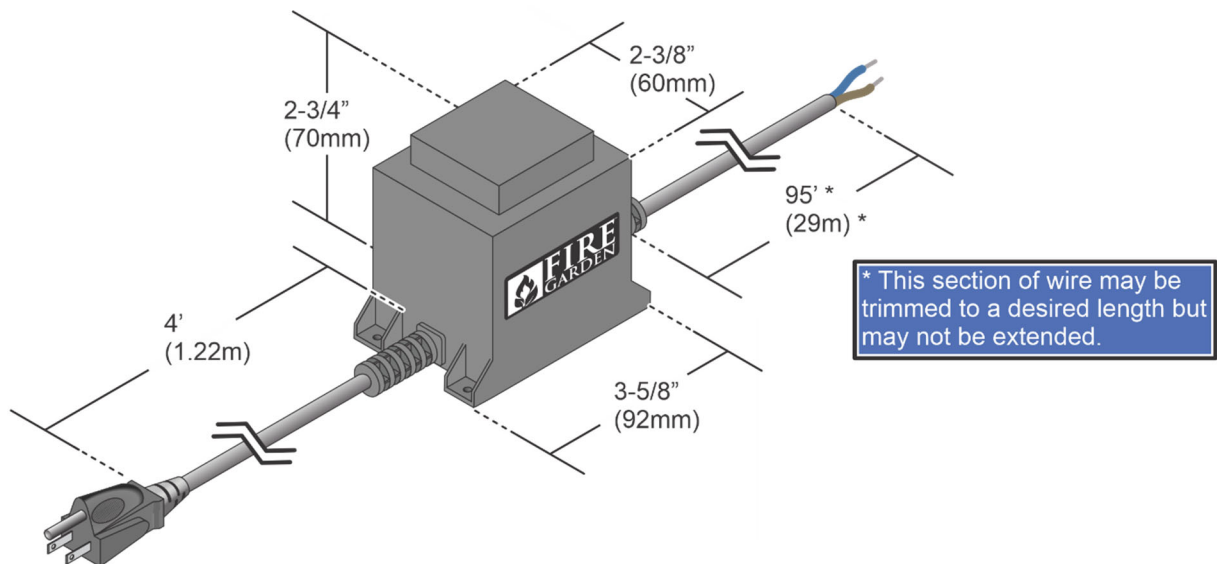
## Compatibility

This transformer is designed for the Fire Garden 24v single control module appliances. It is not designed for 2017 (or earlier) Tempest 120v torches.

This transformer is rated for 120VAC, 60Hz, 50W input, and 24VAC output. The transformer will power (1) appliance. See the section “Wire Length Chart” for additional details.

**NOTE:** The wire after the transformer box is allowed for direct bury installation. Check with the local authority having jurisdiction before installing in this manner.

## Dimensions



## Warnings



**NOTE:** Disconnect power at the service breaker prior to installing the transformer. After installation, restore power to the transformer and test both the incoming and outgoing circuits.



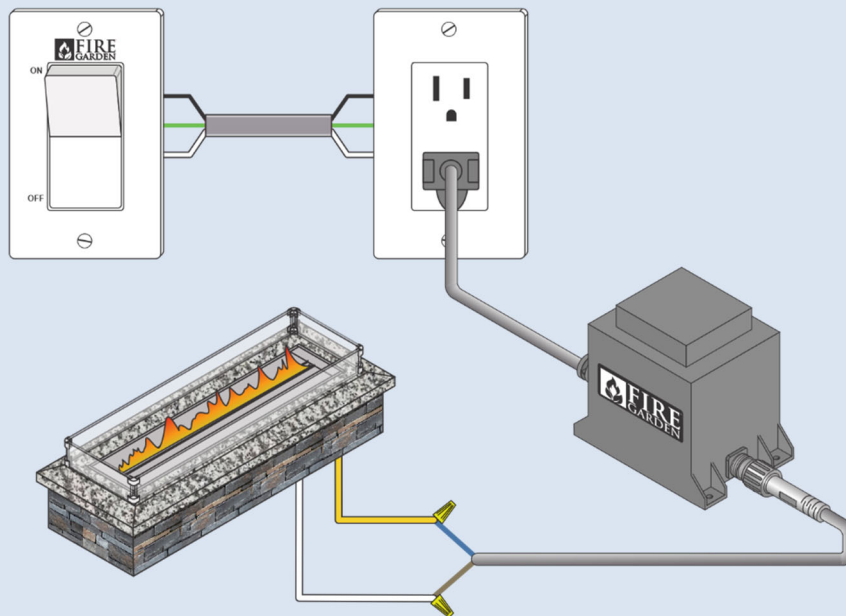
Installation should only be performed by a qualified electrician or installer (consult local codes). Use suitable connectors when wiring the transformer (silicone-filled wire nuts).

## Mounting Requirements

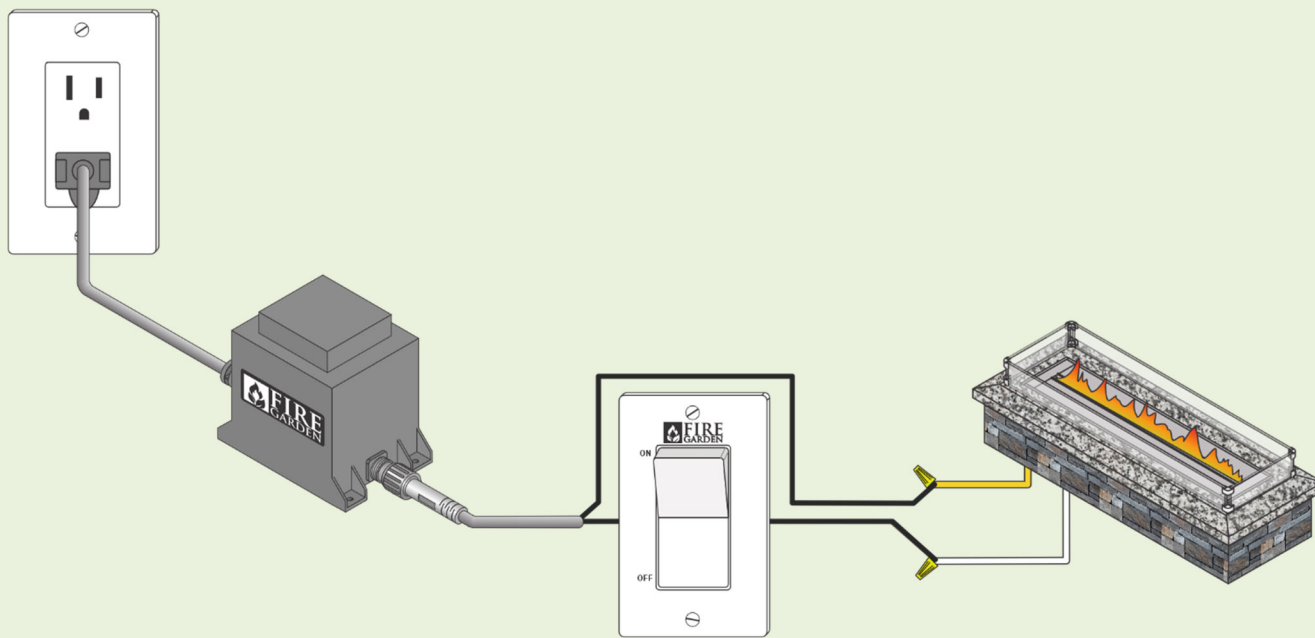
- This transformer is intended to be plugged into a standard household GFCI-protected outlet.
- The transformer is wet-rated and can be exposed outdoors.
- If this transformer will be used on an outdoor outlet, the outlet must have a weatherproof receptacle cover.

## Wiring Diagrams

- The transformer is plugged into a GFCI-protected, switched outlet. The two-conductor low voltage wire is connected to the yellow and white wires from the control module. Polarity does not matter for any of these connections.



- The transformer is plugged into a GFCI-protected, non-switched outlet. One low-voltage conductor is interrupted by a switch. The low-voltage conductors are then attached to the yellow and white wires from the control module. Polarity does not matter for any of these connections.



## Multiple Appliance Installations

When installing more than one 24v appliance, use the large 24v Appliance Transformer (sku 94800830). This transformer is capable of powering up to (6) 24v Fire Garden outdoor appliances.

### 24v Multiple Appliance Transformer (sku 94800830)



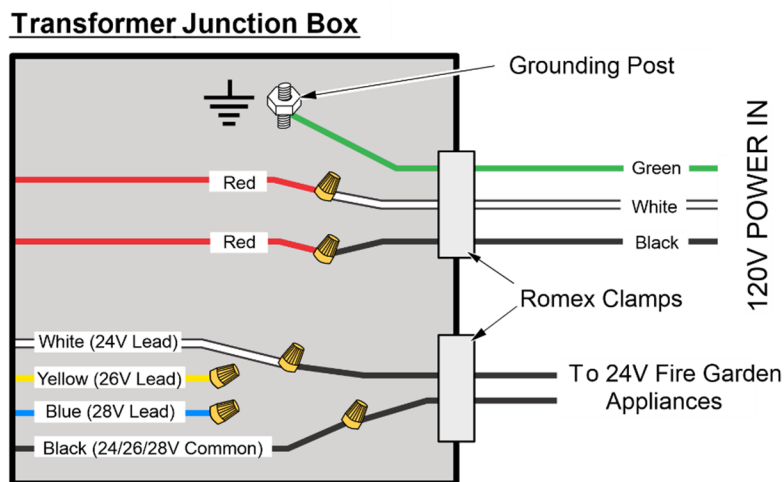
**Hazardous Voltage can shock, burn, or cause death. Disconnect all input power before installing or maintaining this equipment.**

### Compatibility

This transformer is designed for the Fire Garden 24v appliances. It is not designed for 2017 (or earlier) Tempest 120v torches.

This transformer is rated at 300 VA. The transformer will power up to (6) appliances. See the section "Wire Length, Wire Gauge, and Voltage Settings" for additional details.

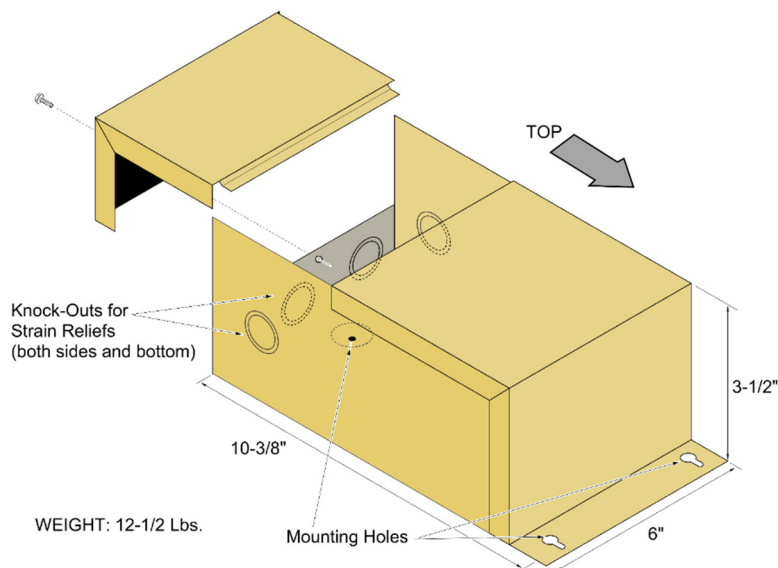
### Wiring Diagram 120V



**NOTE:** In this example the 24V Lead is used.

**WARNING:** Make sure to put wirenuts on un-used power leads (in this example the 26V and 28V Leads)

### Dimensions

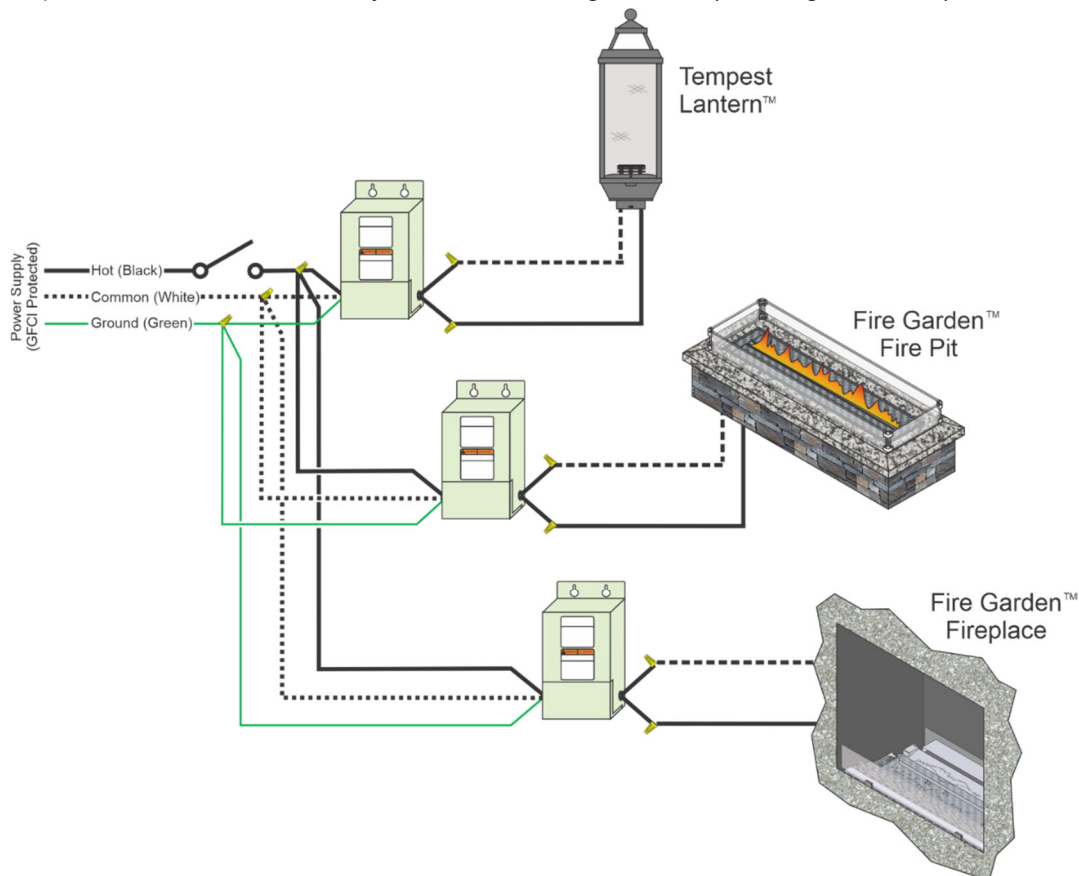


## Using More than One 24-volt Appliance

Travis Industries, Inc. manufactures additional 24-volt appliances that can add to the ambiance of your outdoor space (Tempest Torch™, Tempest Lantern™. Visit [firegardenoutdoor.com](http://firegardenoutdoor.com) for more details). If using more than one appliance, make sure to think about how the appliances will be used and if they need to be able to be controlled separately or if it would be more convenient to control them all using one switch. The following pages show examples of multi-appliance installation options using one switch and powering more than one appliance using the same transformer. If you are planning an installation using two or more appliances, be sure to pay close attention to the wiring sizing detailed in this section.

## Wiring Multiple Transformers to One Switch

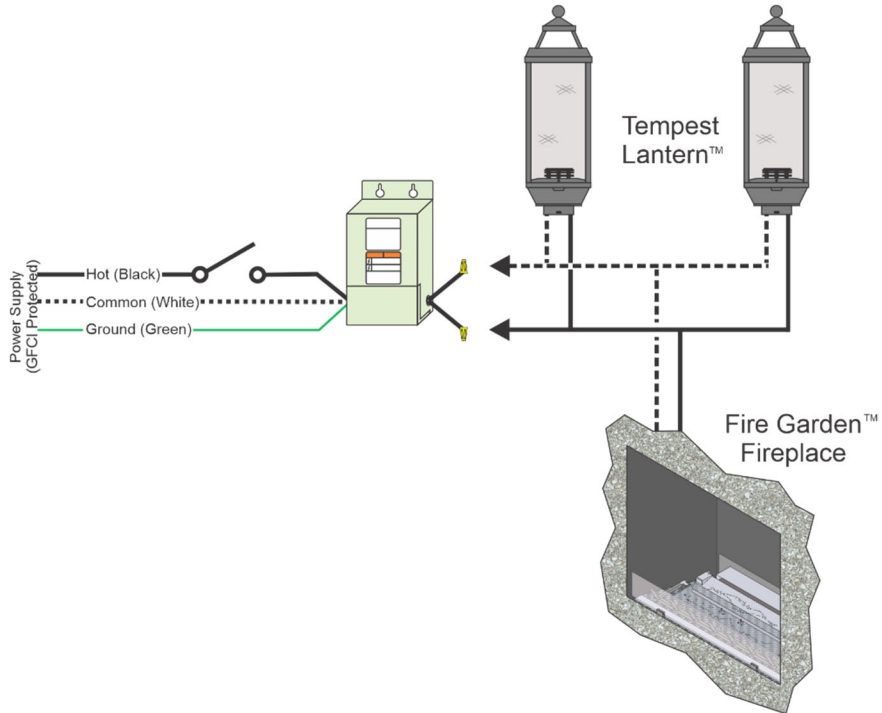
- Multiple 24VAC transformers may be wired to a single switch (see diagram below).



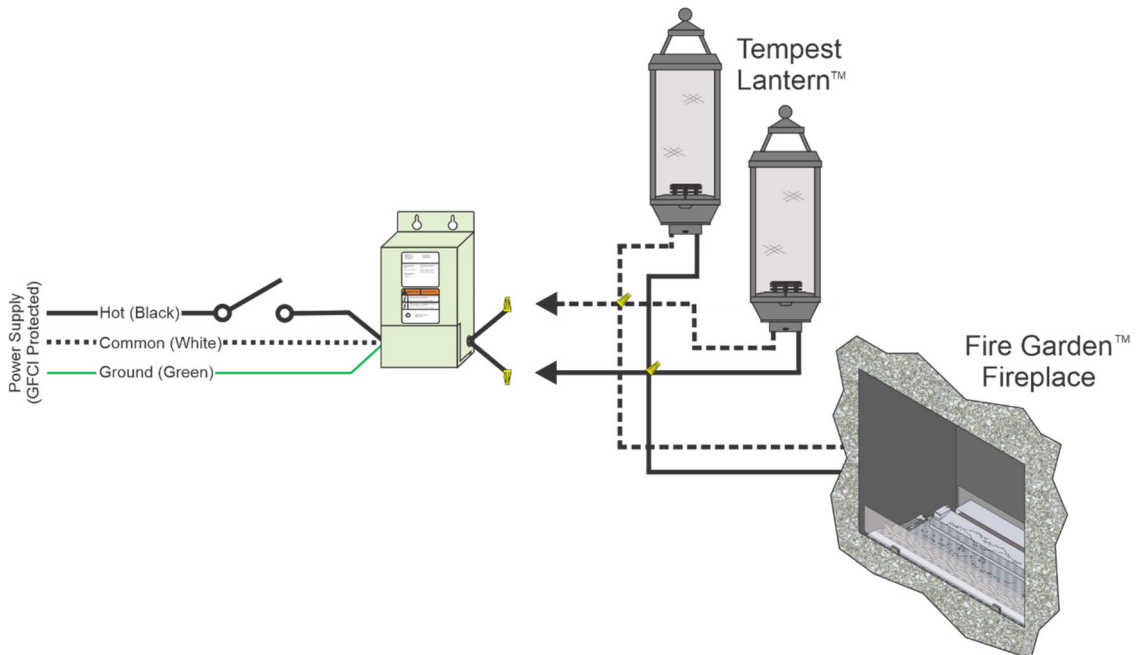
## Wiring Multiple Appliances to One Transformer

The manner in which you wire the appliances to the transformer affects the maximum length of wire and wire gauge. Make sure to determine the wire configuration before installation. NOTE: You may use both direct-run and daisy-chain configurations.

### Daisy-Chain Example



### Direct-Run Example

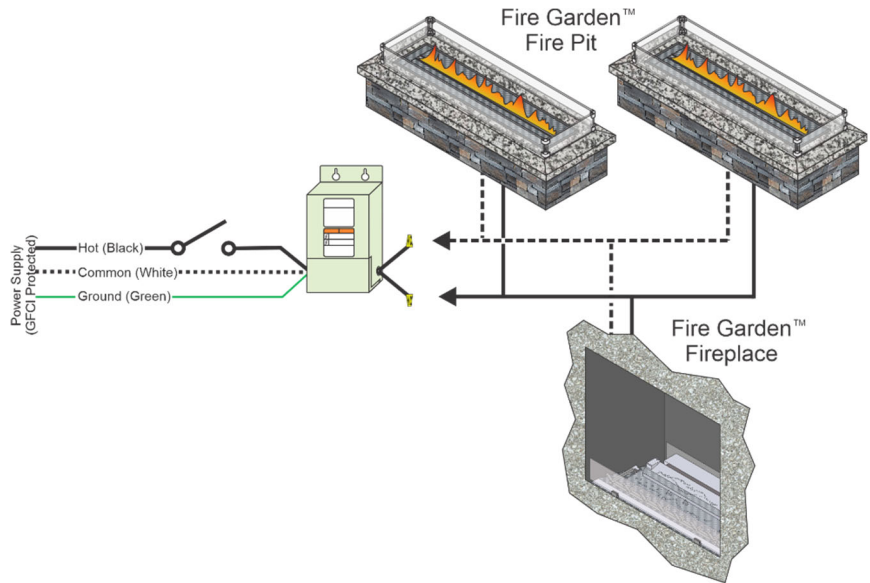


## Daisy-Chain Wire Length Chart

This type of wire configuration allows for multiple Travis Industries 24-volt products to be wired in a series, reducing the amount of wire used. Use the charts below to determine the correct wire gauge and length. In the example below, the transformer has (2) fire pits and a fireplace on one branch.

### How to Calculate Wire Length:

Add together all of the wire length(s) used for the entire installation. If you have one 80' length and three 20' lengths, your wire length would be 140'.



### 24 Volt Lead

Wire		# of appliances on branch				
		2	3	4	5	6
14 GA	min	0'	0'	0'	0'	0'
	max	113'	71'	49'	37'	28'
12 GA	min	0'	0'	0'	0'	0'
	max	173'	108'	75'	55'	43'
10 GA	min	0'	0'	0'	0'	0'
	max	266'	165'	115'	85'	65'

### 26 Volt Lead\*

Wire		# of appliances on branch				
		2	3	4	5	6
14 GA	min	27'	10'	1'	0'	0'
	max	184'	118'	85'	65'	51'
12 GA	min	41'	16'	2'	0'	0'
	max	281'	179'	129'	99'	79'
10 GA	min	63'	23'	3'	0'	0'
	max	432'	276'	198'	151'	121'

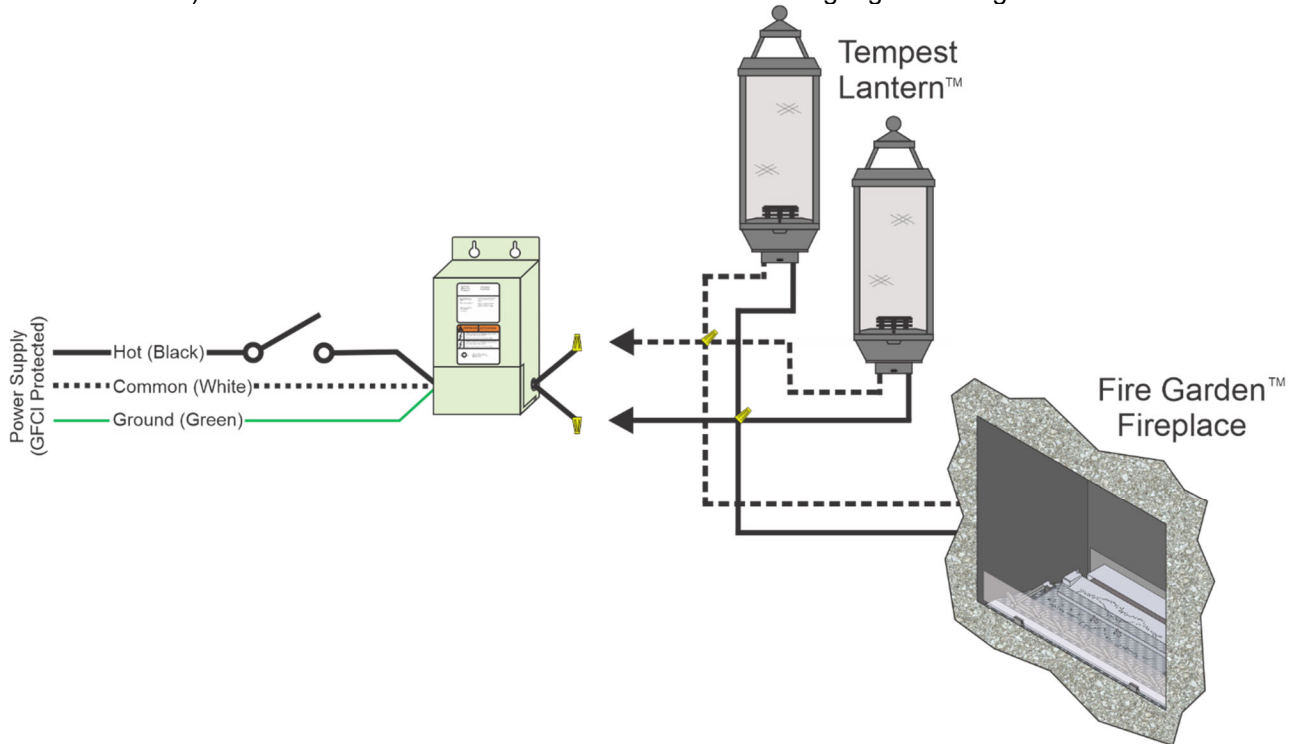
### 28 Volt Lead\*

Wire		# of appliances on branch				
		2	3	4	5	6
14 GA	min	104'	62'	40'	27'	19'
	max	242'	157'	113'	88'	71'
12 GA	min	160'	94'	61'	41'	28'
	max	369'	238'	173'	134'	108'
10 GA	min	245'	144'	93'	63'	43'
	max	566'	366'	266'	206'	165'

\* Not available on some transformers.

## Direct-Run Wire Length Chart

This type of wire configuration allows for long distances between the transformer and the appliances (see illustration below). Use the charts below to determine the correct wire gauge and length.



### 24 Volt Lead

Wire		
14 GA	min	0'
	max	242'
12 GA	min	0'
	max	369'
10 GA	min	0'
	max	566'

### 26 Volt Lead\*

Wire		
14 GA	min	79'
	max	384'
12 GA	min	120'
	max	584'
10 GA	min	184'
	max	897'

### 28 Volt Lead\*

Wire		
14 GA	min	234'
	max	499'
12 GA	min	356'
	max	760'
10 GA	min	548'
	max	1168'

\* Not available on some transformers.

## Wiring Examples:

### Daisy-Chain Installations:

- When using 3 appliances on one branch, 14 ga wire, and 150' of wire, use the 28V Lead.
- When using 4 appliances on one branch, 10 ga wire, and 100' of wire, use the 24V Lead.

### Direct Run Installations:

- When using an appliance on a 200' run, 14 ga wire, use the 24V Lead.
- When using 6 appliances, each on a 200' run, 14 ga wire, use the 24V Lead.

**How to Determine Wire Gauge:** When purchasing your wire, it should include a wire gauge (the larger the number, the smaller the diameter wire). The wire will also be printed with a gauge number (e.g. AWG#14 = 14 gauge, 10AWG = 10 gauge, etc.). Do not use wires of dissimilar gauges (do not use 14 gauge & 10 gauge wire on the same transformer).

## Hearth Requirements

A non-combustible hearth is not required for this fireplace.

## Facing Requirements

**WARNING:** Do not place drywall or other combustibles over the front of the fireplace.

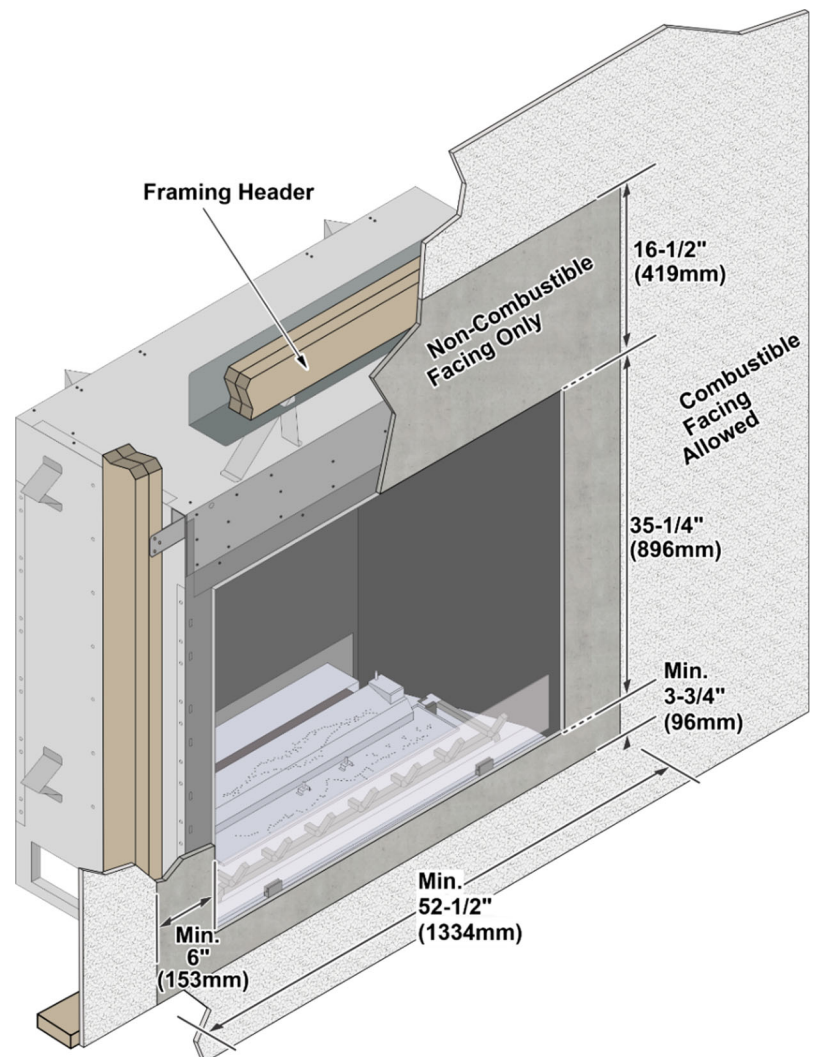


**WARNING:** Do not use adhesive, “modified thinset”, or any product with a polymer additive to secure facing directly to the fireplace or the walls near the fireplace. The high temperatures near the appliance will cause adhesives to emit odors. Use thinset (also called thinset mortar, thinset cement, dryset mortar, or drybond mortar) to attach the facing.

**Thinset Defined:** An adhesive mortar made of cement, fine sand, and a water-retaining agent such as an alkyl derivative of cellulose

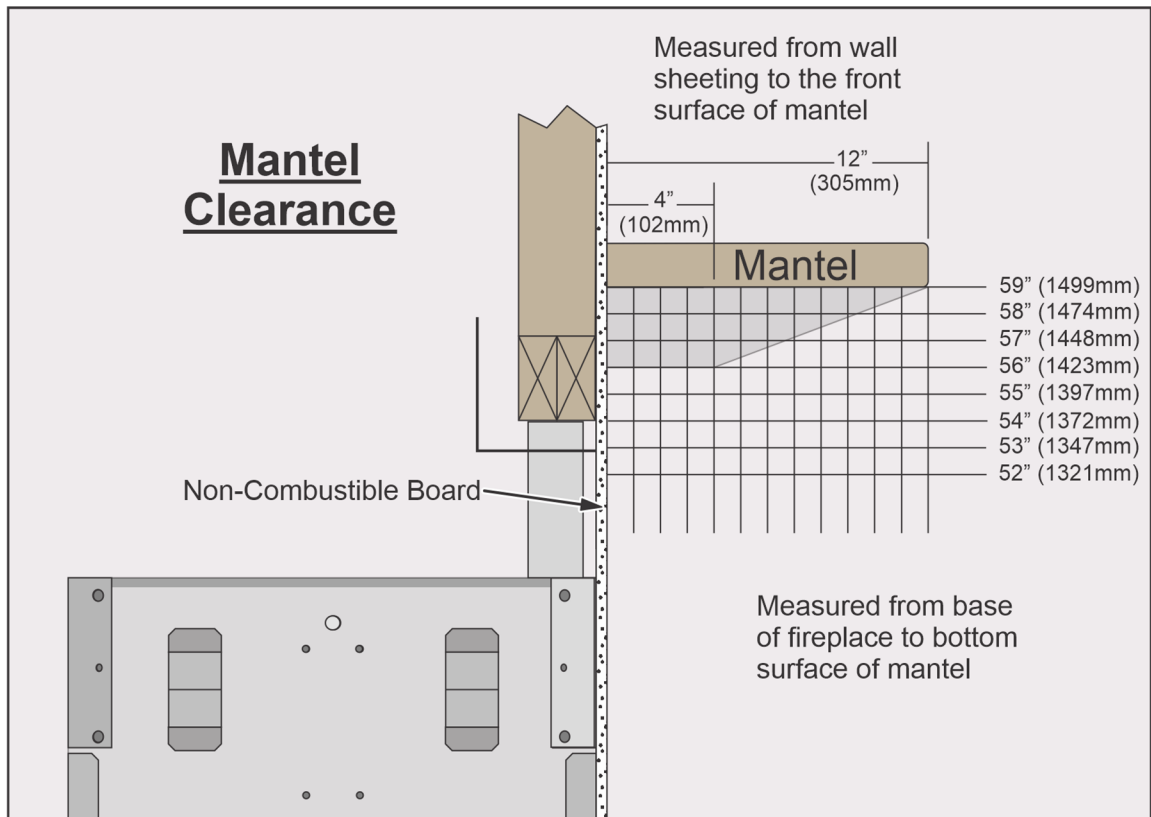
**NOTE:** Screws may be used to secure cement board or tile backer to the fireplace. Do not penetrate the fireplace more than 1/2” (13mm).

- Non-combustible facing must extend from the base of the fireplace to 16-1/2” above the fireplace opening. See the illustration below for details.
- Non-combustible facing must extend a minimum of 6” to each side of the fireplace opening.
- Do not place facing over the fireplace opening.
- Drywall (or other combustible) may be placed to the side of the framed opening and below the base of the fireplace (see illustration below)



## Mantel Requirements

- Use the table below to determine the maximum mantel depth allowed. The mantel depth (measured from the non-combustible facing) must fall within the shaded portion of the table.
- **Any combustible material above the fireplace that protrudes more than 3/4" (19mm) from the non-combustible facing is considered a mantel and must meet the mantel requirements.**
- Non-combustible mantels do not have a minimum clearance.



## Mantel Column Clearances

- Combustible mantel columns (legs) that protrude more than 3/4" (19mm) from the front of the fireplace require a 12" (305mm) clearance to the side of the fireplace.
- Combustible mantel columns (legs) that protrude 3/4" (19mm) or less from the fireplace opening must meet the facing clearances (minimum 6" (153mm) from the side of the fireplace).
- Non-combustible mantel columns do not have a minimum clearance.

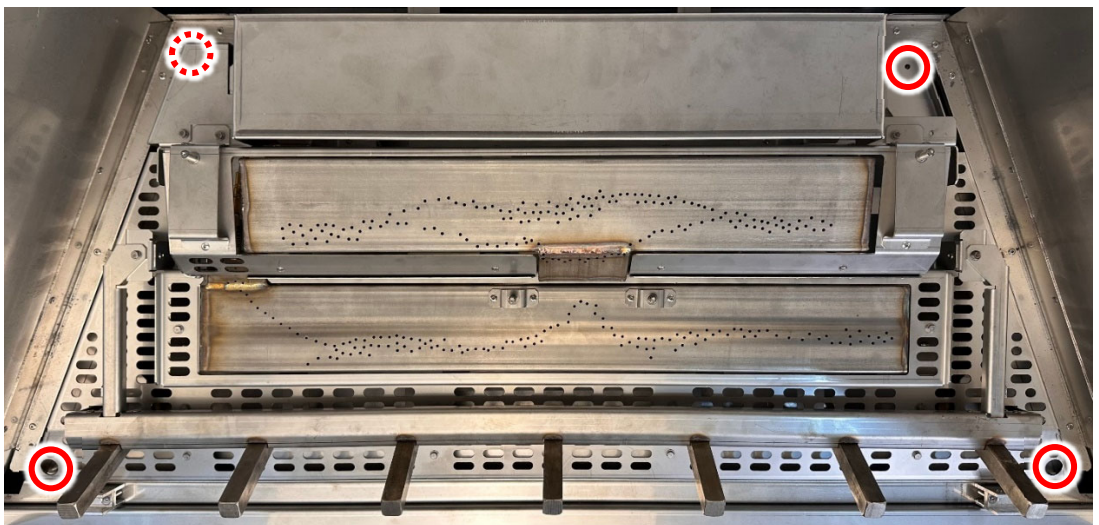
## 32 Finalizing the Installation (qualified installers only)

### Steps for Finalizing the Installation

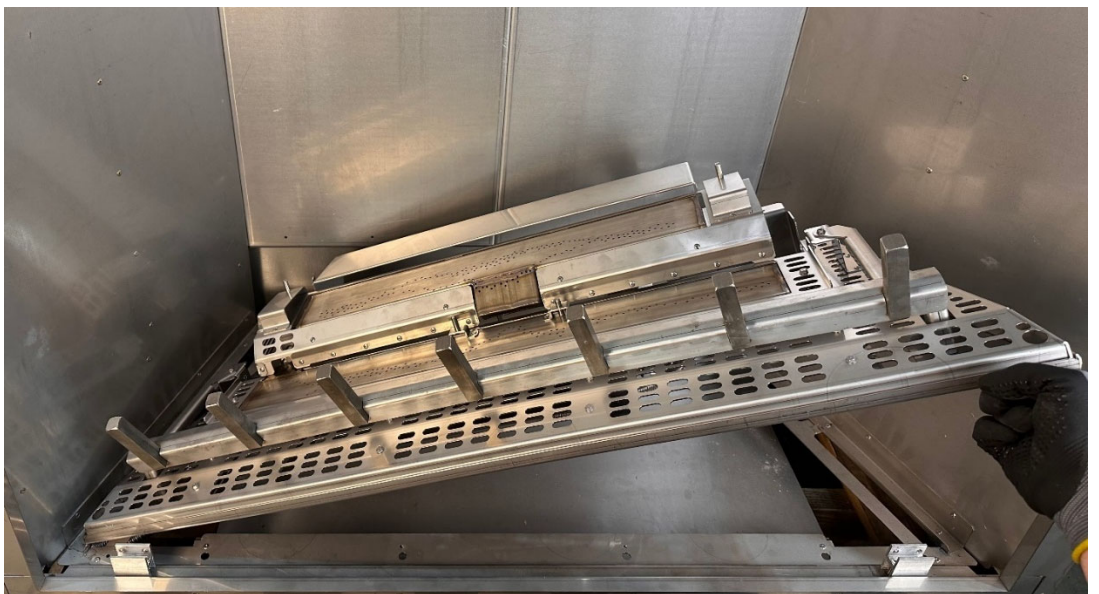
1. Remove the burner tray assembly from the fireplace.
2. If using propane (LP) gas, convert the appliance (prior to installing media).
3. Connect the low-voltage wires to the control module.
4. Connect the gas supply. **\*We recommend you purge the gas line at this time.**
5. Leak test all gas joints.
6. Install the burner tray assembly into the fireplace.
7. Briefly test burn the appliance. (Only burn the fireplace long enough to check that it operates. A lengthier test burn can be done after the firebacks, logs, and wind break are in place).
8. Install Firebacks.
9. Install the glass windbreak.
10. Install log set and embers.
11. Perform a final test burn.

### Removing the Burner Tray Assembly

- Use a 1/4" driver to remove the (4) screws that secure the burner tray assembly to the fireplace body (see picture below).



- Lift the burner tray assembly to gain access to all other gas and electrical components. If the tray needs to be completely removed from the fireplace, disconnect the gas flex and household voltage wires from the burner tray assembly.



# Finalizing the Installation (qualified installers only) 33

## Accessing the Control Module and Electrical Connections

- Once the burner tray assembly is free from the fireplace, place it on its front edge directly in front of the fireplace opening. The log grate will keep the burner tray assembly from falling forward.

**NOTE:** If the cover indicated below has not been removed in an earlier step, use a 1/4" driver to remove it now. Set the screws and cover aside for reinstallation.



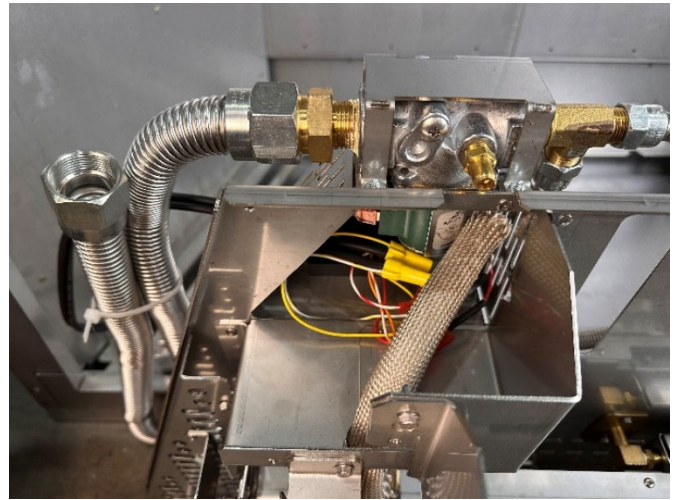
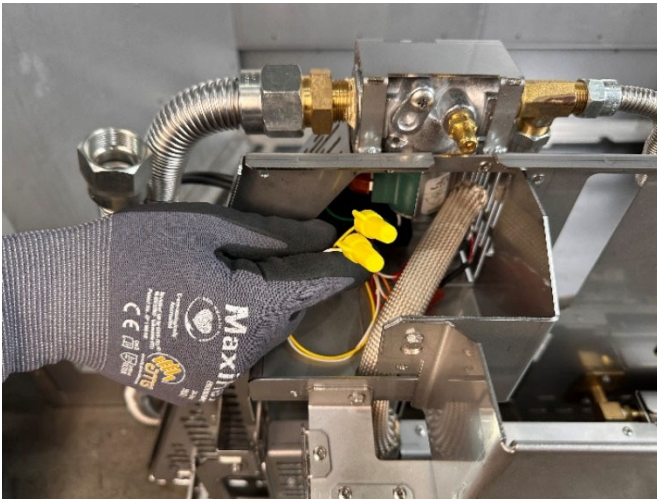
- Run the low voltage wire from the 24v transformer (not included) through the strain relief located on the side of the burner tray junction box. Feed enough wire into the junction box to allow for making the connections to the control module wiring and secure the wire nuts.



## 34 Finalizing the Installation (qualified installers only)

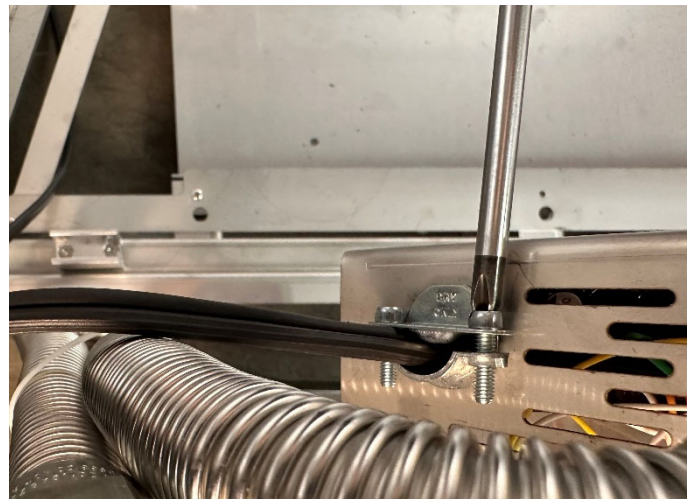
- When making the electrical connections, polarity does not matter. Make sure the wire nuts are secure and tuck the wires and wire nuts into the junction box.

**NOTE:** We recommend the use of dielectric grease on these electrical connections.



- Use a Phillips head screwdriver to gently tighten the strain relief clamp.

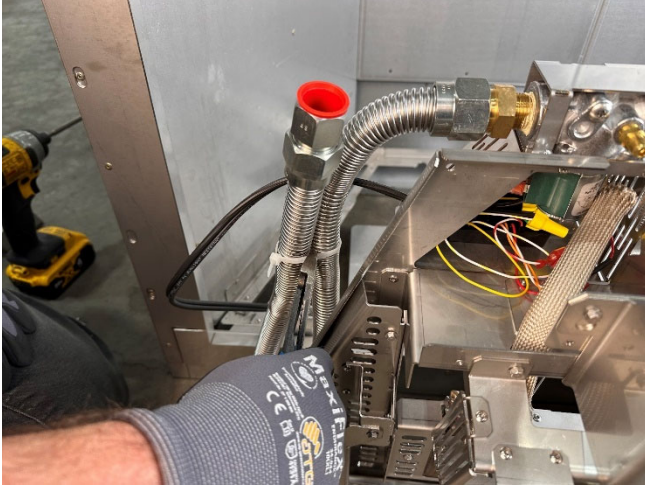
**NOTE:** Do not overtighten this clamp, it will create an electrical short.



## Making the Gas Connection.

- The gas flex comes connected to the valve and bundled up with a zip tie. Snip the zip tie and straighten out the flex. Feed the end of the flex through the gap in the side of the fireplace. Remove the red plug from the end of the flex and connect the flex to the gas supply.

**NOTE:** Make sure to use thread sealant on this connection.



- After the gas connections are made, leak test all the joints and then reinstall the burner tray assembly into the fireplace.

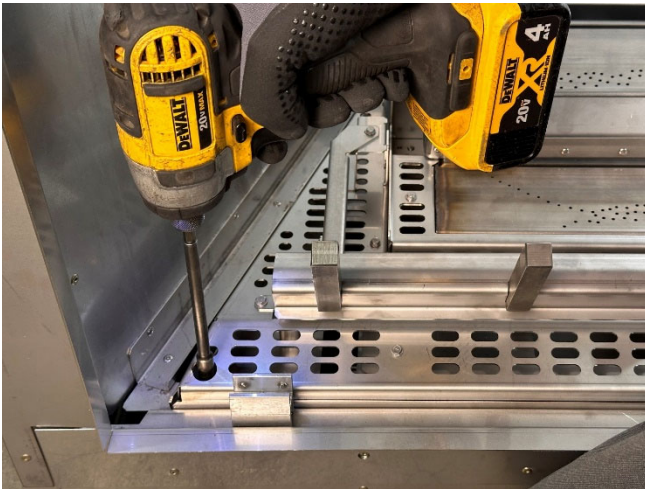


## 36 Finalizing the Installation (qualified installers only)

- Reinstall the junction box cover and secure it with the (2) screws removed earlier.



- Reinstall the (4) screws that secure the burner tray assembly to the fireplace (one in each corner).



# Finalizing the Installation (qualified installers only) 37

## ***Black Glass Fireback Installation (sku 96100883)***

### ***Compatibility***

- 4035 Fireplace (FIREBACKS ARE REQUIRED BEFORE OPERATING THE 4035 FIREPLACE)

### **GLASS FIREBACK WARNINGS**

**HANDLING THE FIREBACKS:** The glass firebacks are fragile – especially the edges. Take care to prevent contacting/scraping the glass against metal or rough surfaces. You may wish to lay out a blanket during installation in case you need to set the firebacks down.

We recommend the use of gloves and safety glasses during the installation of the glass firebacks.

### **CLEANING**

These firebacks require periodic cleaning. Do not use ammonia-based cleaners (this may cloud the glass). We recommend ammonia-free glass cleaner (i.e., vinegar and water) to clean the fireback.

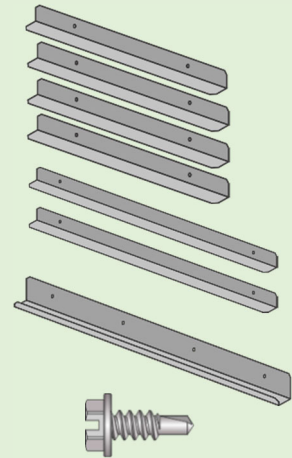


- Install the firebacks after the fireplace is in position.
- Install the firebacks before installing the glass windbreaks and media.

### ***Packing List***

#### **4035 Outdoor Traditional Specific Parts**

- Rear Fireback Panel
- Left and Right Side Fireback panels (each side fireback has a small notch at the front of the upper edge)
- (4) Side spacer brackets (Shorter “L” bracket with (2) screw holes).
- (2) Rear spacer brackets (Longer “L” bracket with (2) screw holes).
- (1) Rear shelf bracket (“J” shaped bracket with (4) screw holes).
- (16) 1/2” self-drilling screws



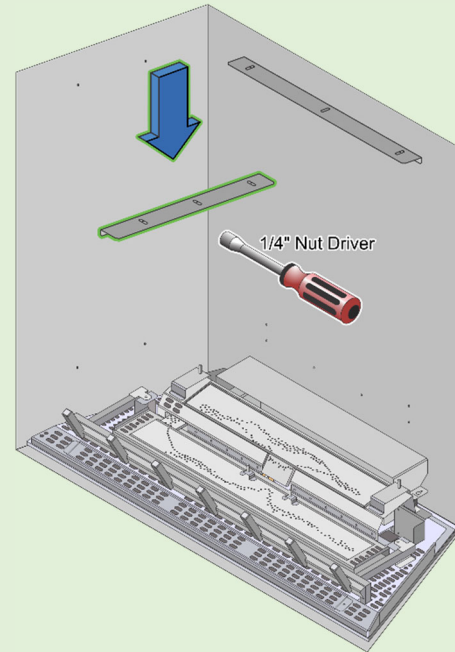
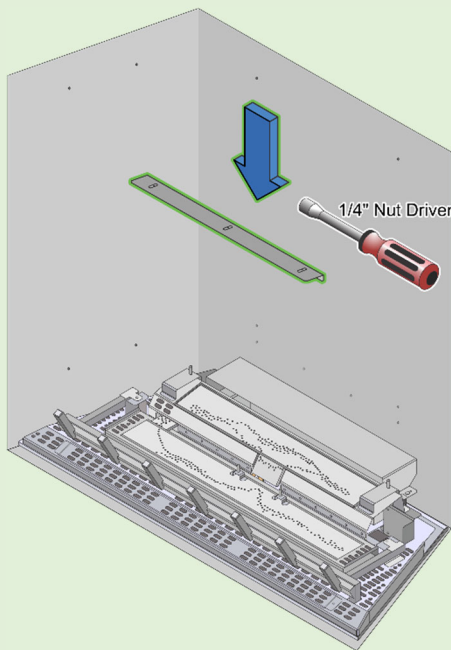
## 4035 Outdoor Traditional Installation

### ! WARNING !

Turn off the gas to the appliance and make sure it is cool prior to conducting service.

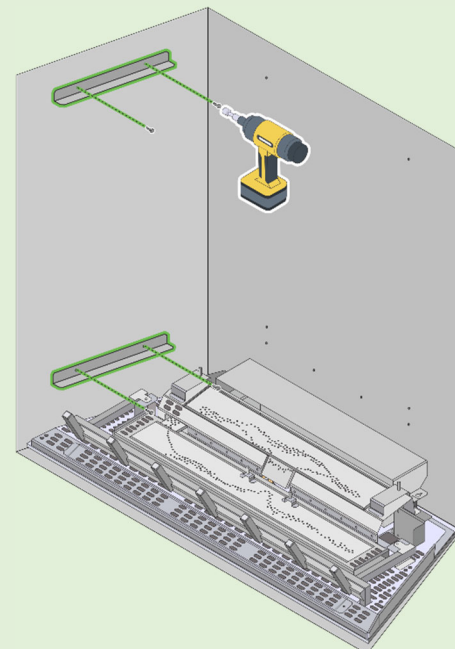
**NOTE:** Remove the windbreak glass before installing the firebacks (see appliance manual for details).

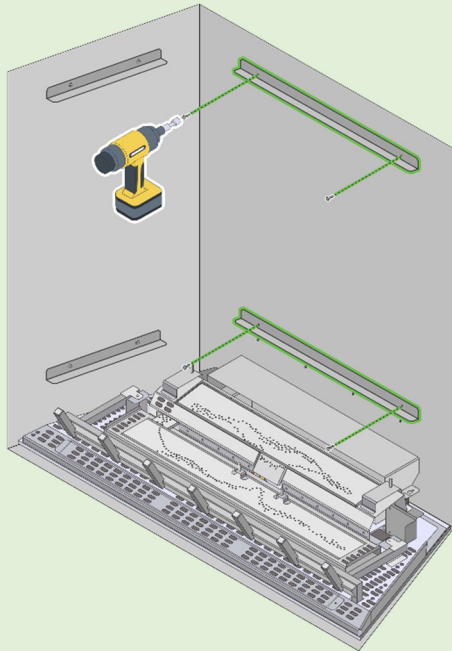
1. Use a 1/4" nut driver to remove the screws that secure the side retainer brackets to the ceiling of the fireplace. Set the brackets and screws aside for reinstallation.



2. Repeat the same process to remove the rear retainer bracket. Set the bracket and screws aside for reinstallation.

3. Use a 1/4 driver and the included 1/2" self-drilling screws to secure the side spacer brackets to both sides of the firebox as shown to the right

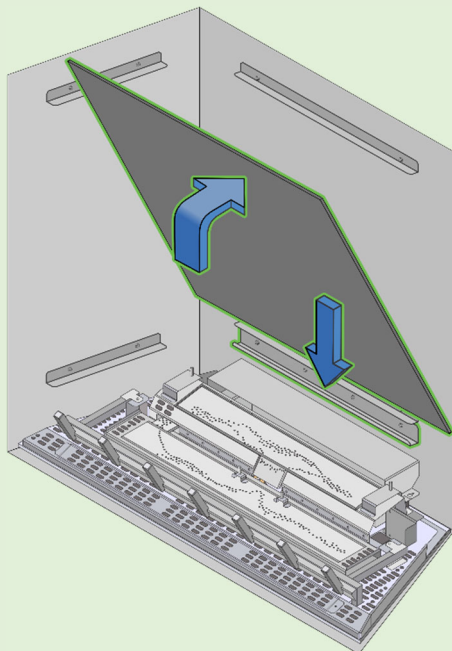
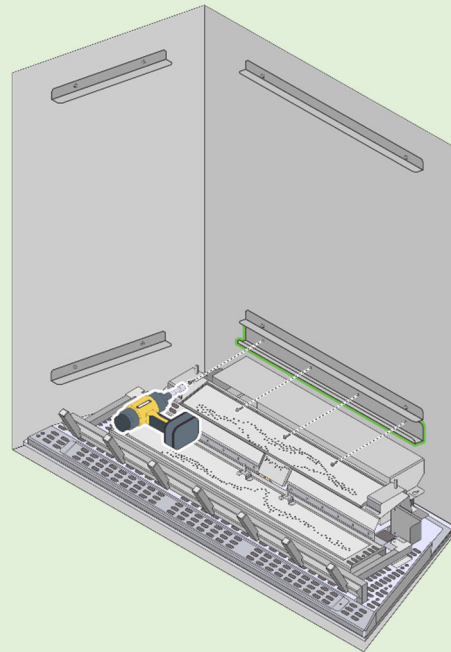




- Secure the (2) rear spacer brackets as shown to the left.

**NOTE:** There are (2) rows of holes on the lower rear panel of the firebox. Use the row with only (2) holes for this bracket. The row of (4) will be used in the next step.

- Install the rear shelf bracket below the rear spacer bracket (installed in step 1) as shown to the right.

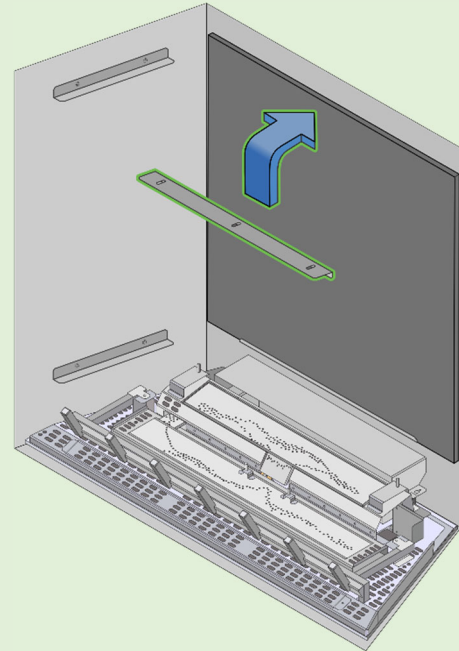
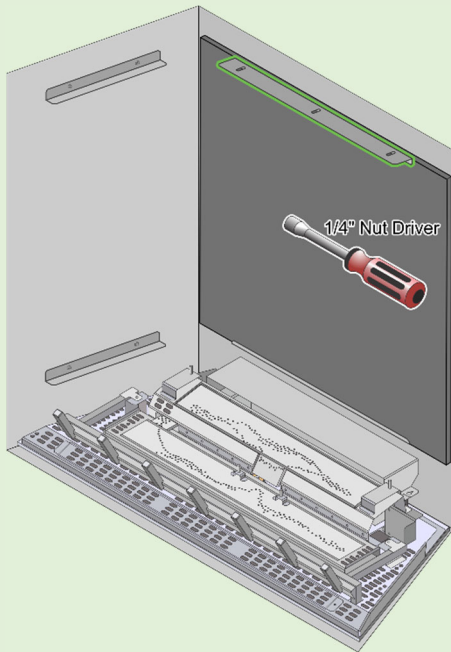


- Place the bottom edge of the rear glass panel on the rear shelf bracket (installed in the previous step) and tilt the top of the panel upward until it is flat against the rear spacer brackets.

**NOTE:** Make sure to center the rear fireback on the rear wall of the fireplace. If it is not centered there will be a visible gap in the corners when the side firebacks are installed.

## 40 Finalizing the Installation (qualified installers only)

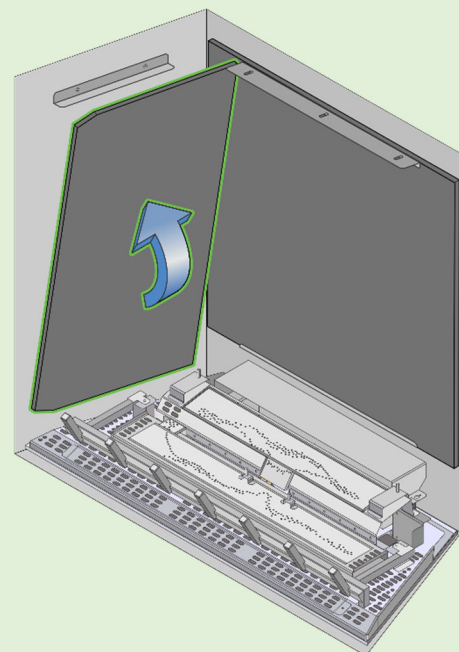
- Secure the top of the rear fireback panel with the rear retainer bracket. Use the screws removed earlier to secure the bracket to the firebox ceiling. The holes on the bracket are obround to accommodate different firebacks. Slide the bracket backward until it is up against the rear fireback panel.

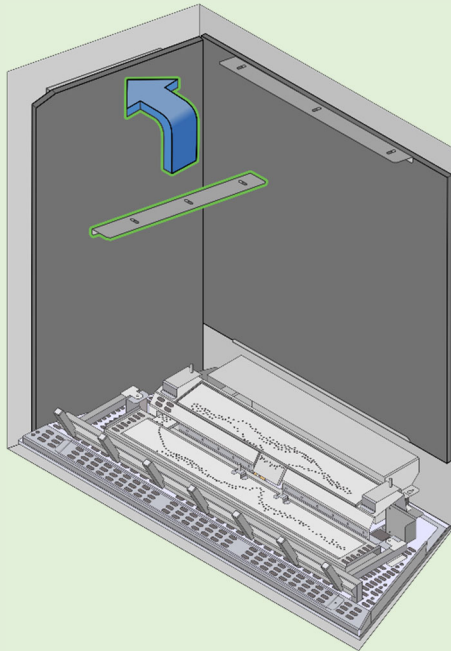


- Use a 1/4" driver to tighten the screws, securing the retainer bracket in place.

- Install one of the side firebacks. Insert the fireback with the top tilted toward the center of the fireplace. Carefully set the bottom of the fireback in the gap between the wall of the firebox and the media tray (the side firebacks sit directly on the floor of the firebox). Tilt the top of the fireback until it is in contact with the spacer bracket.

**NOTE:** The chamfered corners on the side fireback panels should be facing toward the front of the fireplace.

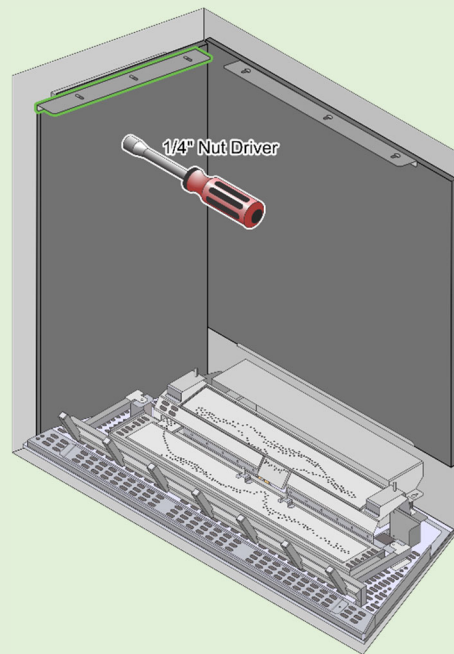




10. Install one of the side retainer brackets to secure the side fireback panel. Use the screws removed earlier to secure the bracket to the firebox ceiling. The holes on the bracket are obround to accommodate different firebacks. Slide the bracket toward the side of the firebox until it is up against the side fireback panel.

11. Use a 1/4" driver to tighten the screws, securing the retainer bracket in place.

12. Repeat steps 9 through 11 with the other side fireback.



## 42 Finalizing the Installation (qualified installers only)

### Ceramic Fireback Installation (sku 96100883)

#### Compatibility

- 4035 Fireplace (**FIREBACKS ARE REQUIRED BEFORE OPERATING THE 4035 FIREPLACE**)

#### Packing List

- Rear Fireback
- Left and Right Side Fireback (each side fireback has a small notch at the front of the upper edge)

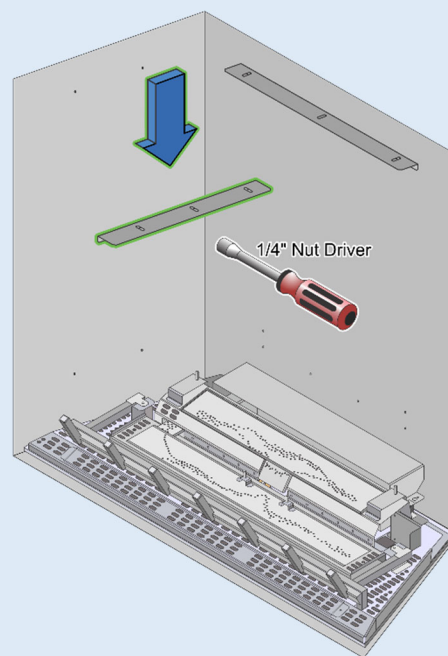
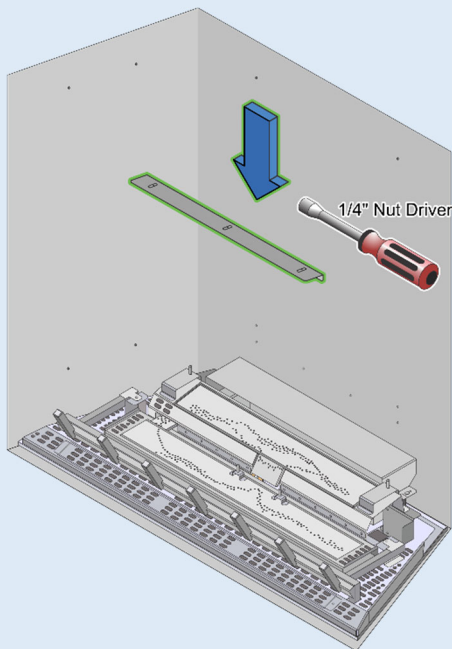
### 4035 Outdoor Traditional Installation

## ! WARNING !

Turn off the gas to the appliance and make sure it is cool prior to conducting service.

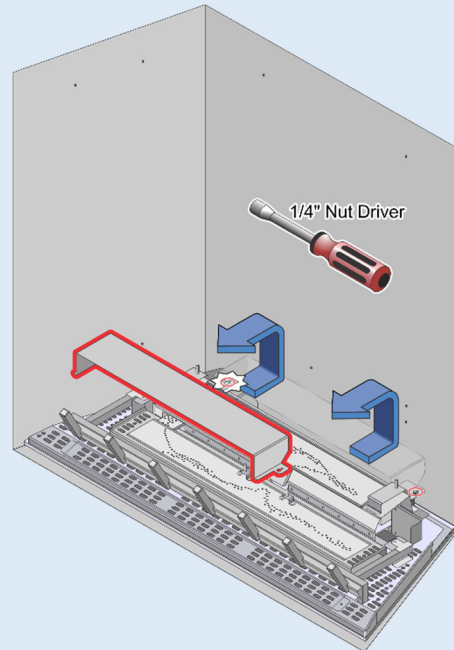
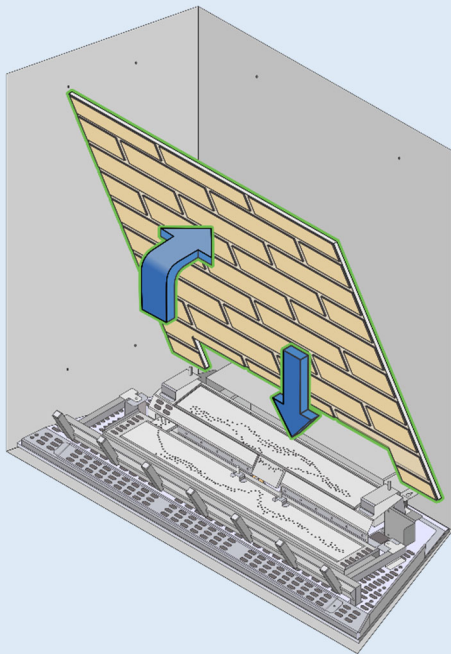
**NOTE:** Remove the windbreak glass before installing the firebacks (see appliance manual for details).

1. Use a 1/4" nut driver to remove the screws that secure the side retainer brackets to the ceiling of the fireplace. Set the brackets and screws aside for reinstallation.



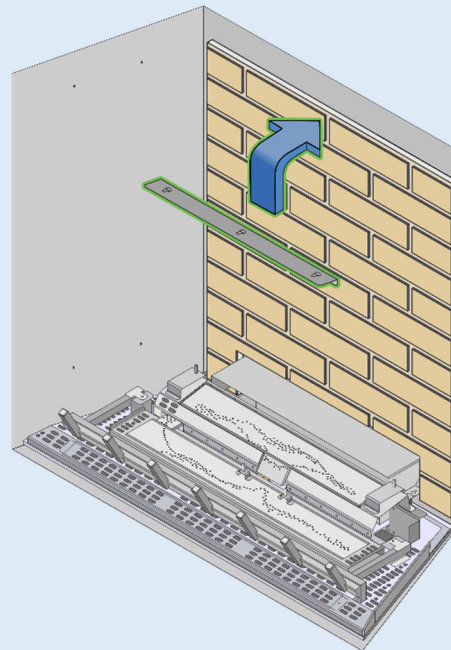
2. Repeat the same process to remove the rear retainer bracket. Set the bracket and screws aside for reinstallation.

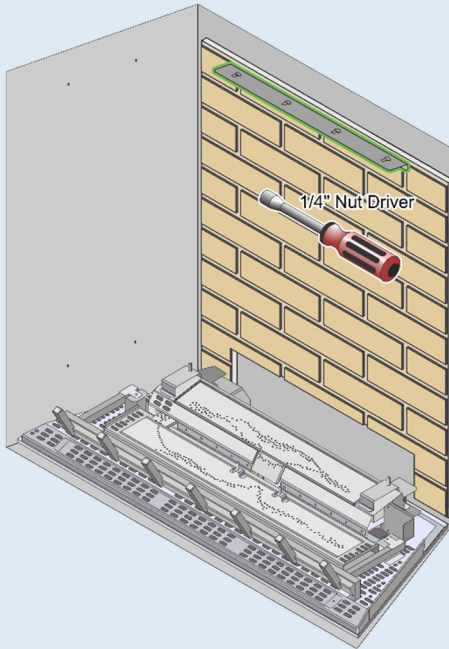
3. Remove the rear log support. Use a 1/4" driver to loosen the (2) screws that secure the support to the burner assembly. The log support has keyhole slots, so the screws do not need to be removed. Slide the log support toward the rear of the fireplace and then lift the support and remove it from the firebox.



4. Place the bottom edge of the rear fireback panel on the floor of the firebox behind the burner assembly and tilt the top of the panel upward until it is flat against the rear wall of the firebox.

5. Secure the top of the rear fireback panel with the rear retainer bracket. Use the screws removed earlier to secure the bracket to the firebox ceiling. The holes on the bracket are obround to accommodate different firebacks. Slide the bracket backward until it is up against the rear fireback panel.

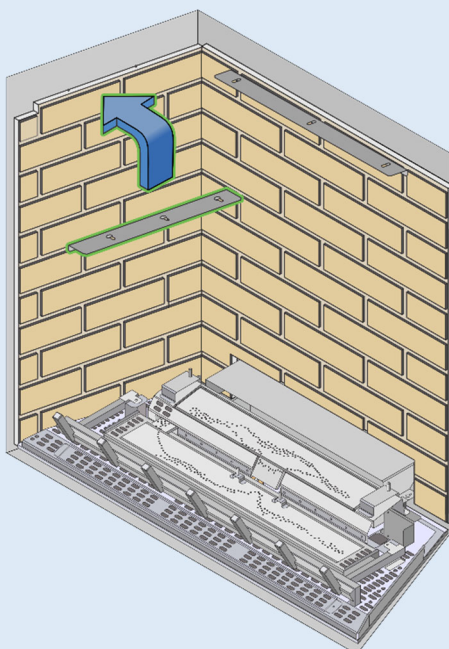
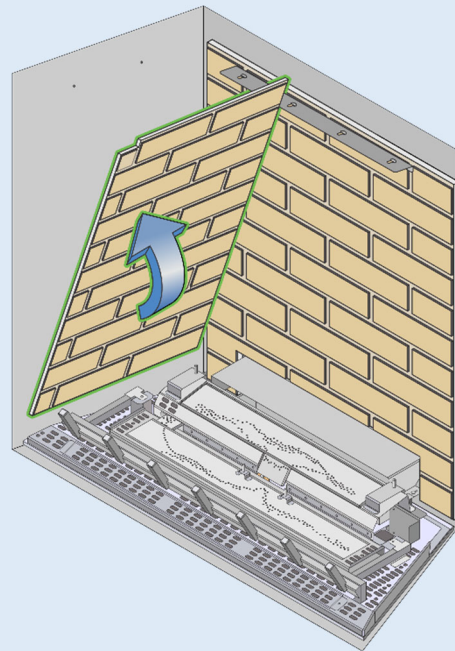




6. Use a 1/4" driver to tighten the screws, securing the retainer bracket in place.

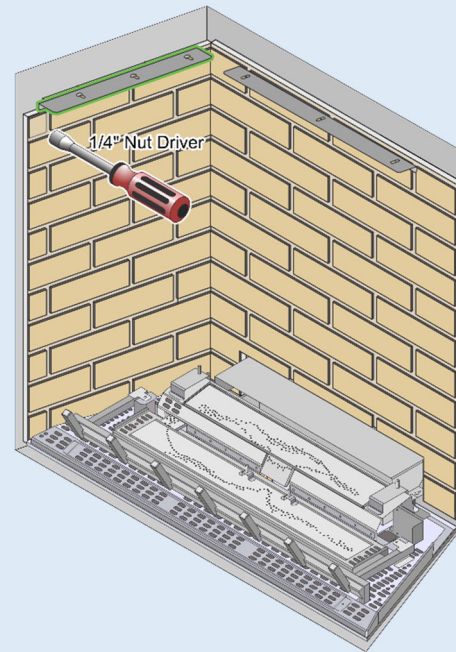
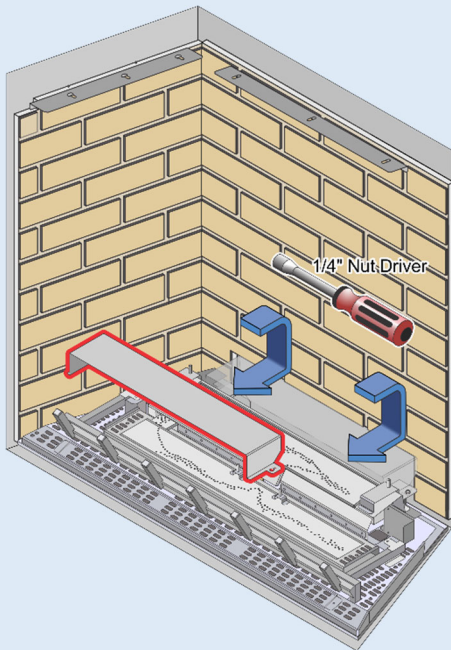
7. Install one of the side firebacks. Insert the fireback with the top tilted toward the center of the fireplace. Carefully set the bottom of the fireback in the gap between the wall of the firebox and the media tray (the side firebacks sit directly on the floor of the firebox). Tilt the top of the fireback until it is in contact with the side of the firebox.

**NOTE:** The notched corner on the side fireback panels should be in the upper front of the fireplace.



8. Install one of the side retainer brackets to secure the side fireback panel. Use the screws removed earlier to secure the bracket to the firebox ceiling. The holes on the bracket are obround to accommodate different firebacks. Slide the bracket toward the side of the firebox until it is up against the side fireback panel.

9. Use a 1/4" driver to tighten the screws, securing the retainer bracket in place.
10. Repeat steps 7 through 9 with the other side fireback.

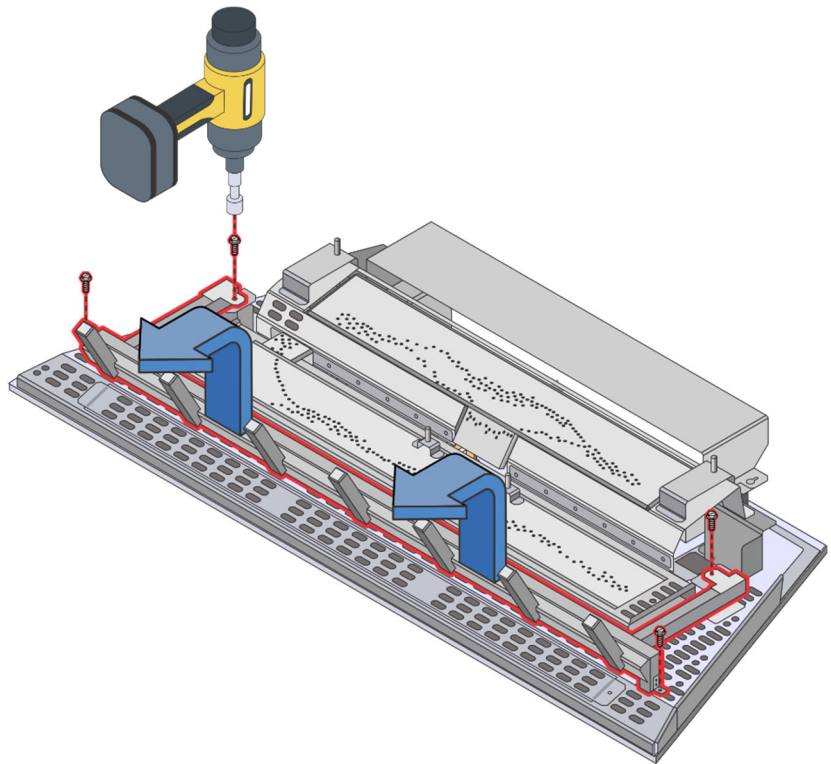


11. Reinstall the rear log shelf. Use a 1/4" driver to tighten the (2) screws that secure the log self to the burner tray assembly.

## 46 Finalizing the Installation (qualified installers only)

### Assembling the Windbreak

The windbreak must be used for all fireplace installations.



- Use a 1/4" driver to remove the (4) screws that secure the log grate to the burner assembly.
- Lift the log grate and remove it from the fireplace (Set the screws and log grate aside for reinstallation). This allows for easier access to the setscrews that hold the windbreak glass in place.
- Place the glass into the glass retainer clamps on the media tray.

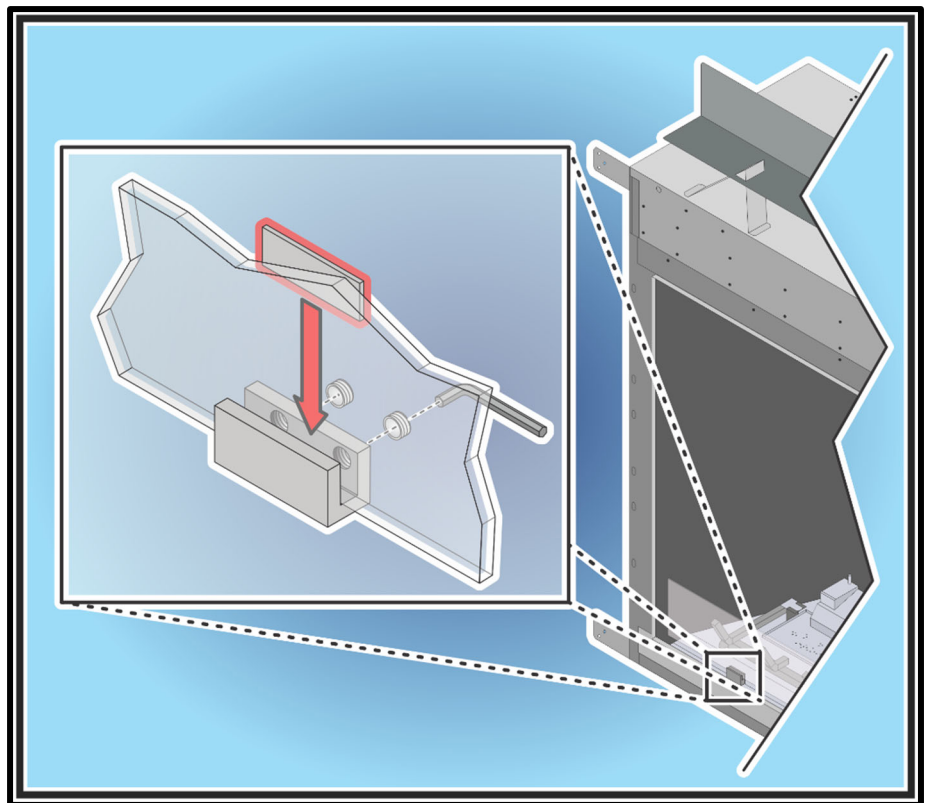
**NOTE:** Make sure the glass is centered on the fireplace before tightening the clamps.

- Insert one of the included metal shims between the backside of the glass and the clamp.
- Use a 1/8" Allen wrench to install and tighten the (2) set screws on the back of each clamp.

**NOTE:** The shims and set screws are included in the fireplace hardware pack

**NOTE:** Tighten the setscrews just enough to support the glass, do not over tighten.

**WARNING:** Failure to use the shims will cause the glass to break when the setscrews are tightened.



## Optional Oak or Birch Log Set

### Compatibility

- 4035 - Fire Garden Outdoor Traditional Fireplace

### Packing List

- 9 Piece Log Set

### Installation Warnings

**NOTE:** Consult the installation manual for the order of installation. If using propane (LP), convert the appliance before installing the log set. If using firebacks, install them prior to installing the log set.

## ! WARNING !

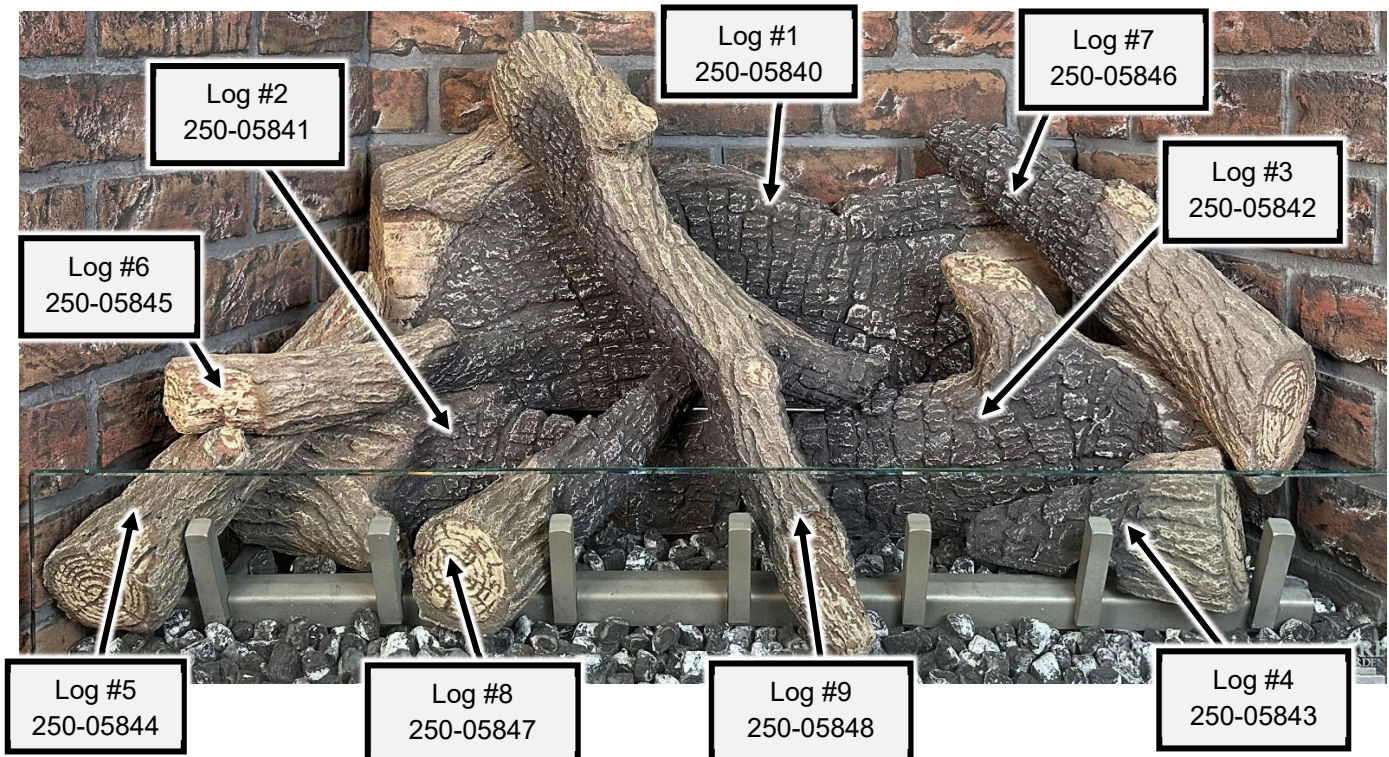
- The logs are fragile, especially after being exposed to heat.
- Make sure the gas control valve is OFF and the heater is cool prior to conducting service.
- Failure to position the parts in accordance with these diagrams or failure to use only parts specifically approved with this appliance may result in property damage or personal injury.
- The burner must be correctly positioned before installing the log set. Make sure the burner is fully seated and the pilot is properly aligned. See the owner's manual for details on burner removal.

### Installation – Oak vs. Birch

Both log sets are nearly identical in shape. The only difference is the paint scheme and some textural details. Below you will find pictures of both the birch and the oak log sets. The installation pictures show the oak log set.

### Log Set Overview - Oak (sku# 94500983)

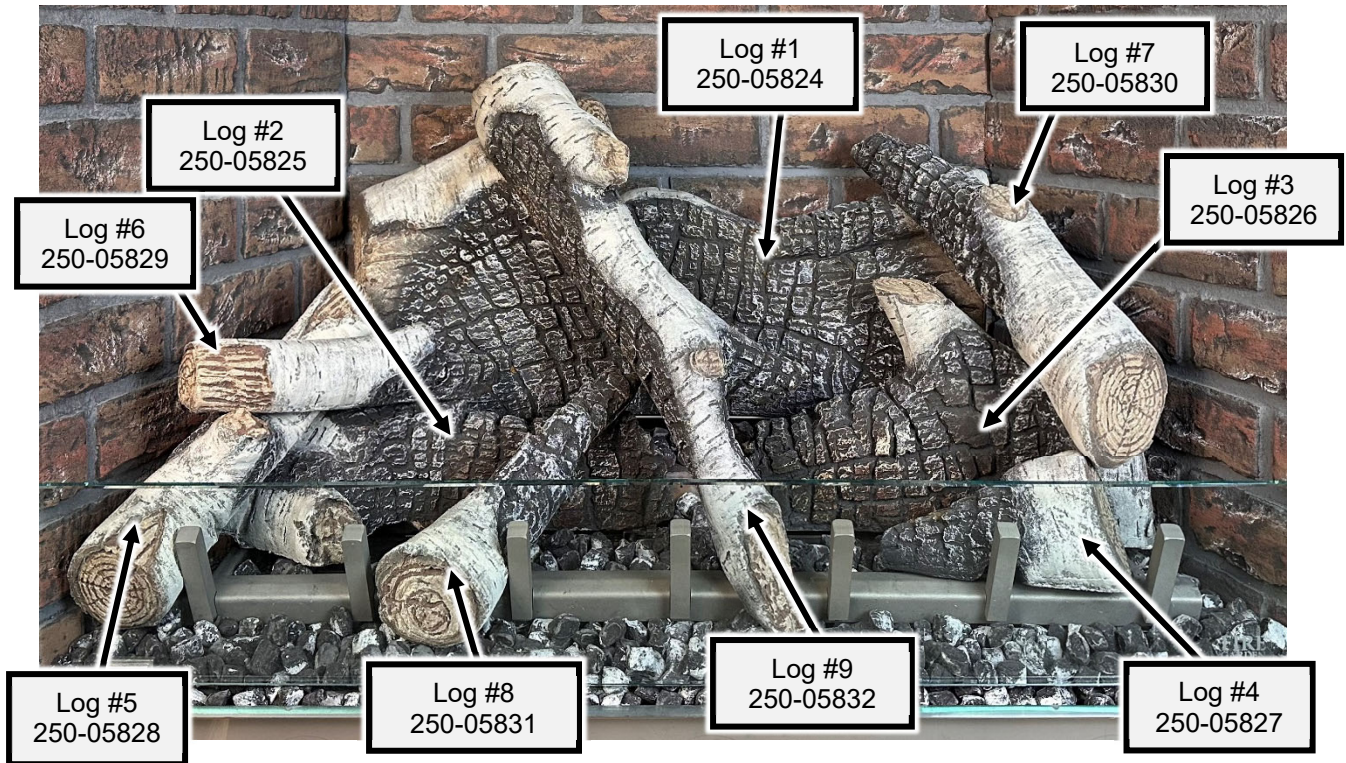
When installed, the nine (9) logs should appear as shown below.



## 48 Finalizing the Installation (qualified installers only)

### Log Set Overview - Birch (sku# 94500982)

When installed, the nine (9) logs should appear as shown below.



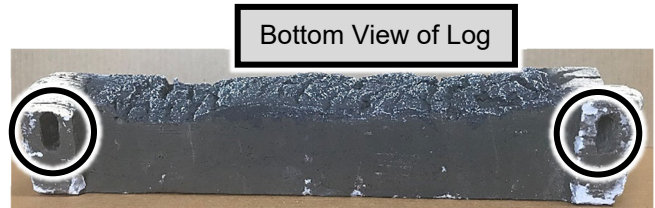
## Log Set Installation



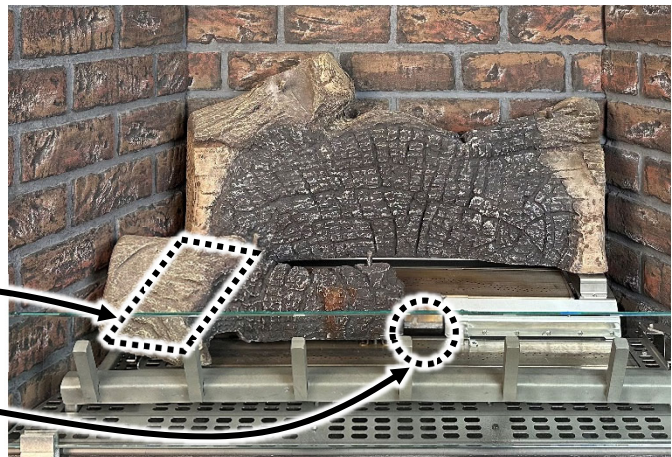
The logs are fragile, especially after exposure to heat.

**NOTE:** The fireplace should be in place, with the gas line and vent attached and the firebacks installed (see owner's manual for further details).

- Place log #1 as shown below. The two slots on the bottom of the log sit over the pin on the burner. With the rear log in place, **push it back as far as it will go.**



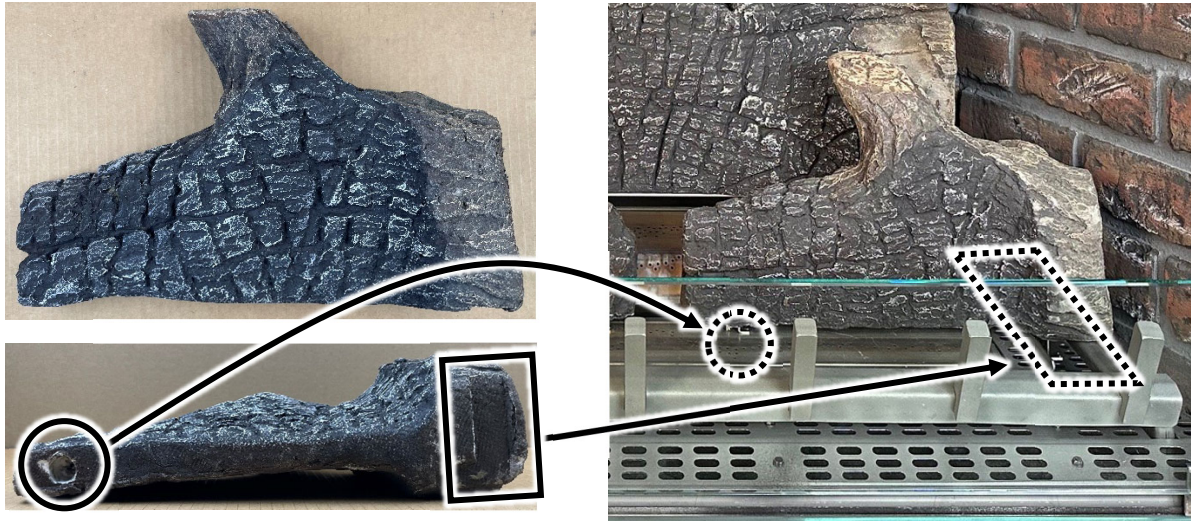
- Place log #2 on the front burner. The notch on the bottom left of the log rests on the grate. The hole on the right end of the log rests on the locating pin just left of the center of the burner. Push the log backward until it is in contact with the rear burner.



**NOTE:** Make sure the log does not obstruct any burner holes.

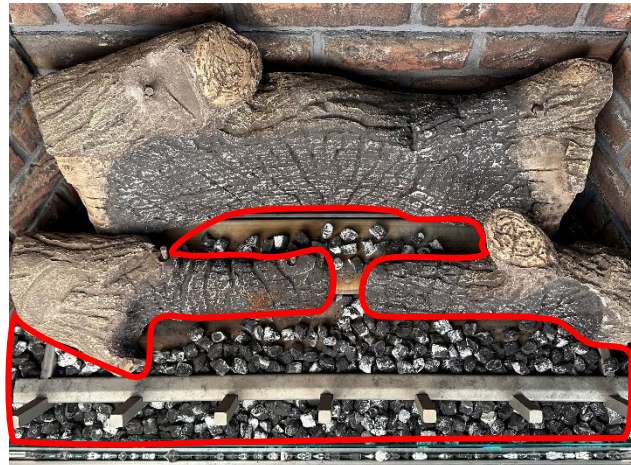
## 50 Finalizing the Installation (qualified installers only)

- Place log #3 as shown below. The notch on the bottom right of the log rests on the grate. The hole in the left bottom of the log rests on the locating pin just right of the center of the burner. Push the log backward until it is in contact with the sloped portion of the rear burner. Make sure burner holes are not obstructed.



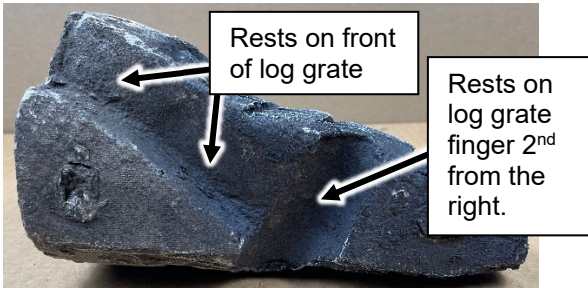
- Detail the burner with ember chunks (included with the fireplace). The included ember chunks are placed on top of the burner to provide a realistic ember glow on the burner. You will not need to use the entire bag of ember chunks, save the remainder for future use.

**NOTE:** Do not use more than one layer of ember chunks over the burner holes.

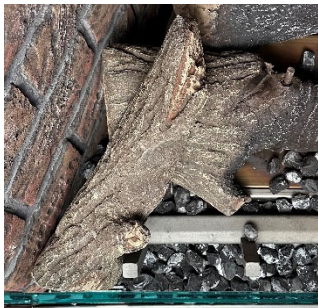


# Finalizing the Installation (qualified installers only) 51

- Place log #4 as shown below. There are (2) notches on the bottom of the log that help orient the log to the log grate. The charred end of the log should be to the left and be angled toward the center of the burner. The cut end should rest slightly forward of the log grate between the (2) right fingers of the log grate (see below). Make sure burner holes are not obstructed.

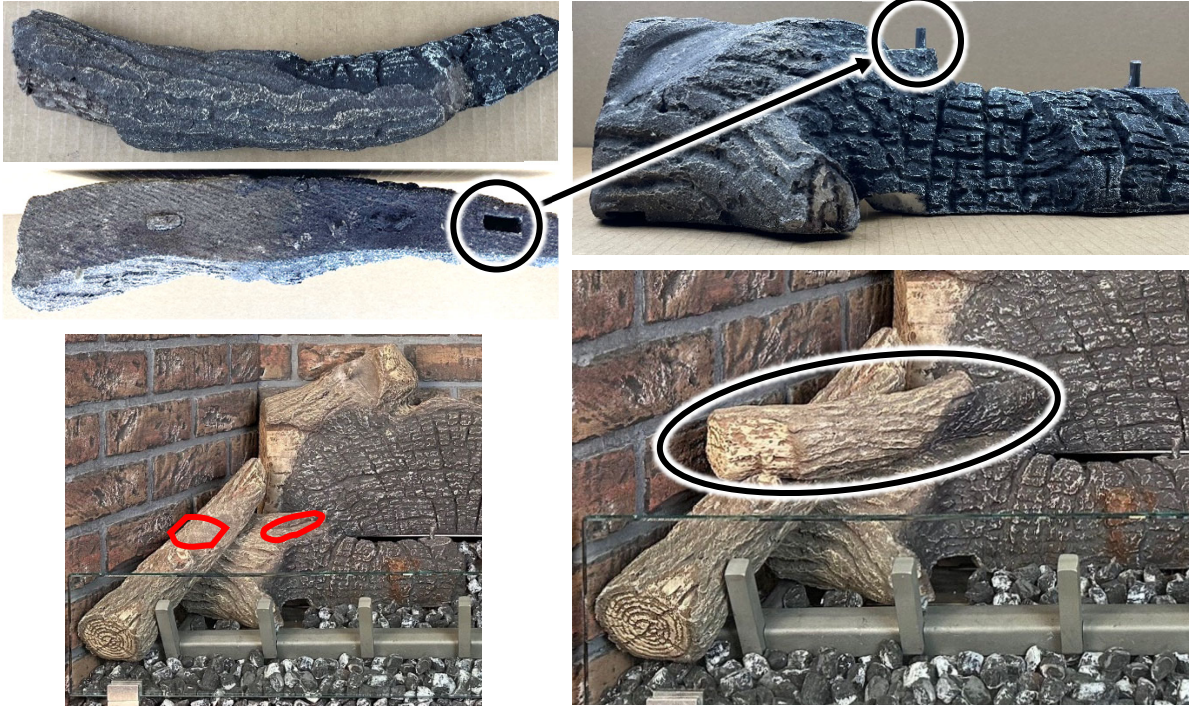


- Place log #5 as shown below. There is a notch on the lower right of the log that rests against the leftmost fireplace grate finger. The upper portion of the log rests on a flat spot on the top of log #2.



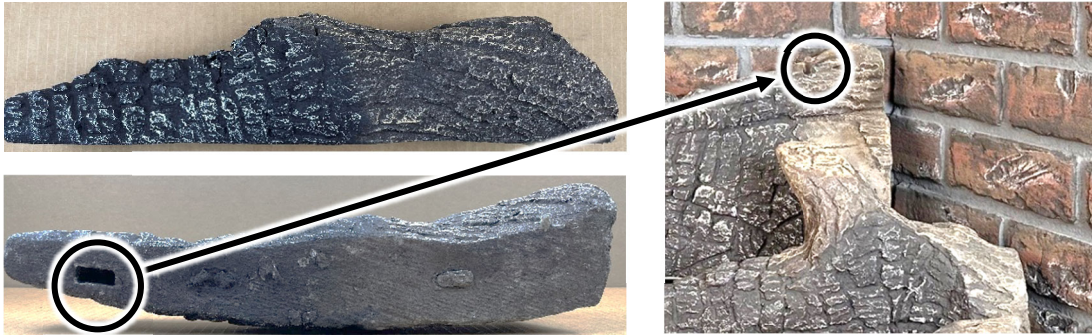
## 52 Finalizing the Installation (qualified installers only)

- Place log #6 as shown below. There is a flat spot on log #5 and log #2 for log #6 to rest on. Place the hole in the bottom of the charred end of log #6 onto the left locating pin on the top of log #2.

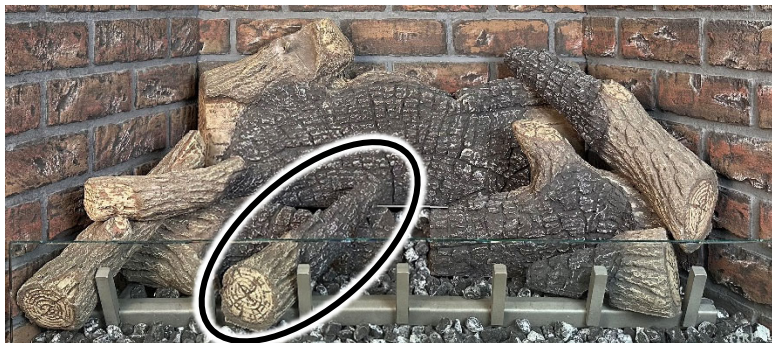
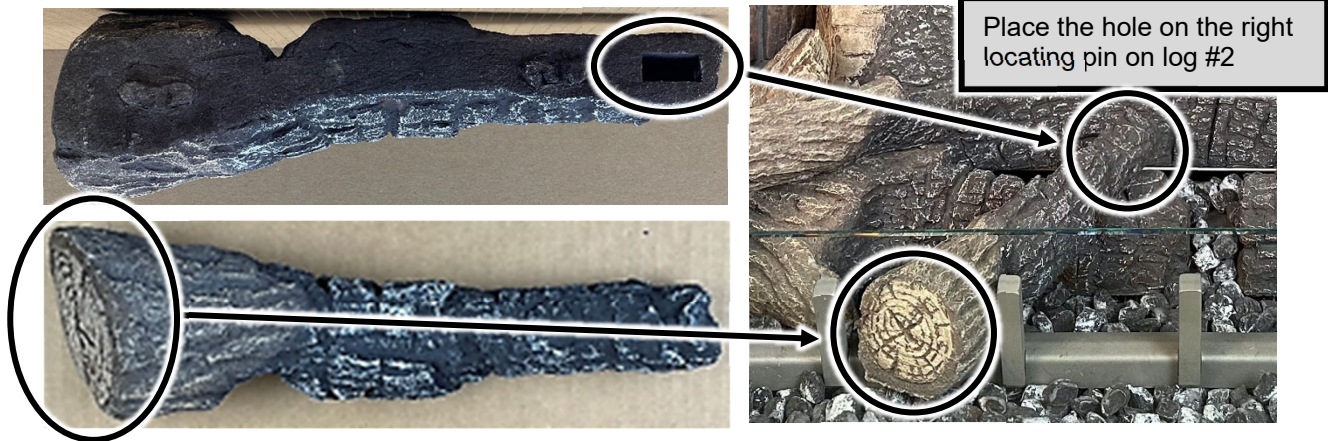


# Finalizing the Installation (qualified installers only) 53

- Place log #7 as shown below. There is a hole on the charred end of the log that rests on a locating pin on the right end of log #1 (see below). The other end of log #7 rests on the right end of log #3. Rotate the lower portion of the log until it is in contact with the fireback.

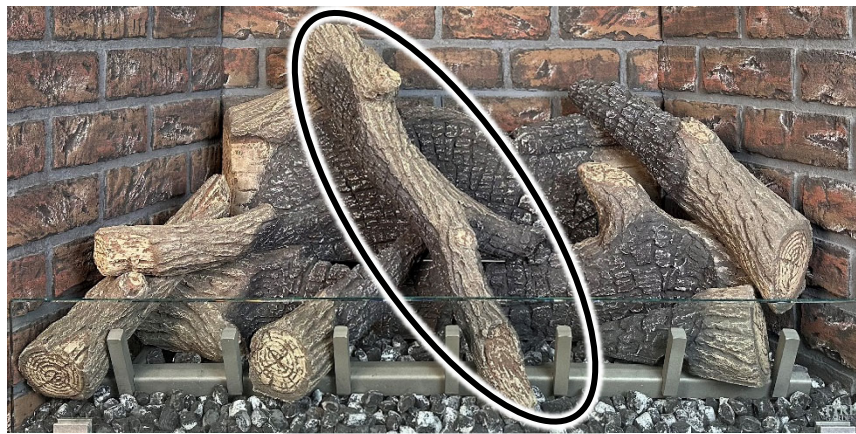
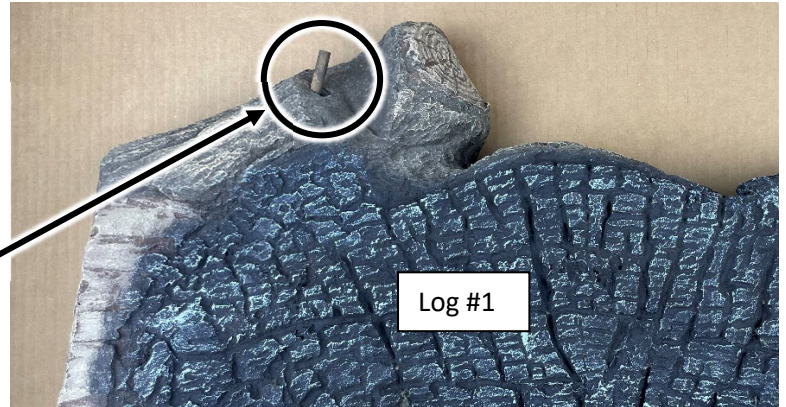


- Place log #8 as shown below. The charred end of the log points to the center of the firebox and rests on the right end of log #2. Place the hole in the bottom of log #8 on the right locating pin on log #2. The non-charred end of the log rests between the 2<sup>nd</sup> and 3<sup>rd</sup> log grate fingers as shown below. The non-charred end of the log will contact the Ember-Glo™ glass (4237 EG only). Push the log down until it is resting on the front edge of the log grate rather than being held up by the ember glass (4237 EG only).



## 54 Finalizing the Installation (qualified installers only)

- Place log #9 as shown below. There is a hole on the thicker end of log #9 that rests on the left locating pin on log #1 (see below). The thinner end of log #9 rests on the media tray between the third and fourth log grate finger from the right (see below). Work the end of the log into the ember chunks until it is stable.



- Finish dressing the firebox with ember chunks in front of the log set.



## ***Before the First Fire***

---

- ! Read this entire manual before you use your new fireplace, especially the section "Safety Precautions" on page 4. Failure to follow the instructions may result in property damage, bodily injury, or even death.
- ! Remove any cover from the fireplace prior to operation.
- ! Inspect the fireplace to make sure it is free of debris or objects that may have fallen into the fireplace prior to operation.
- ! Inspect the fireplace, burner, and supply lines for any damage prior to operation. The burner must be replaced prior to the appliance being put into operation if it is evident that the burner is damaged. Use only Travis Industries replacement burners.
- ! It may be difficult to see the burner operating in direct sunlight.

## ***Operating Instructions***

---

**WARNING:** This gas fireplace is automated; it runs off an electric ignition system and may not be lit with a lighter or matches.

### ***How your appliance works***

#### **Ignition**

When you switch the appliance on, electrical power is supplied to the control module, starting the ignition sequence. During ignition, the igniter will heat up. Gas is then turned on to the fireplace. The fireplace will ignite, and the thermopile will signal the control module that the appliance is lit and the igniter will then turn off.

NOTE: In rare cases, the appliance will fail to light. In these cases, the appliance will wait 30 seconds, then re-start the 30-second ignition sequence. The control module will try to restart the appliance a total of 3 times. If it fails to light after three tries, the appliance will then shut off. To re-start, turn the switch off, wait 5 minutes, then turn the switch on.

#### **Appliance in Operation**

The appliance, once lit, will stay lit until the switch is turned off. If the gas flow is interrupted, or if wind blows out the flame, the fireplace will start the ignition sequence. If you cycle power to a hot appliance (turn it off and back on) it may take up to 1-1/2 minutes for it to relight.

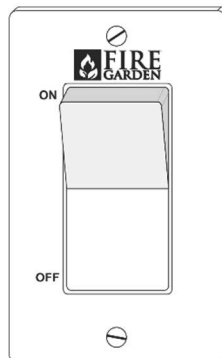
#### **Safety Circuit**

Each appliance has a built-in safety circuit that only allows gas to flow during the ignition sequence and when the appliance is lit. This prevents gas buildup. The safety circuit relies upon a thermopile to keep the gas valve open. If the flame goes out the control module will shut the gas off and then try to relight the appliance. Your appliance cannot be operated manually, if a problem persists consult the troubleshooting table (pg. 64) and call a qualified service technician if needed.

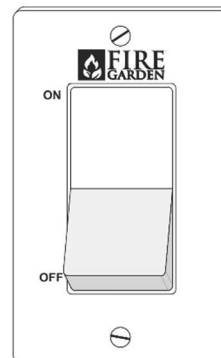
### Location of Controls

- Use the wall switch to supply power to the fireplace. The fireplace will automatically light when power is supplied (The location of the switch is specific to your installation).

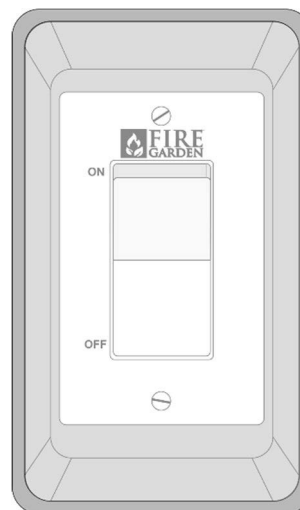
Off



On



- If the wall switch will be located where it is not protected from precipitation, it must be installed in a weather resistant enclosure (not included).



## Maintaining Your Appliance

! **Failure to inspect and maintain may lead to malfunctioning of the appliance and potentially dangerous situations.**

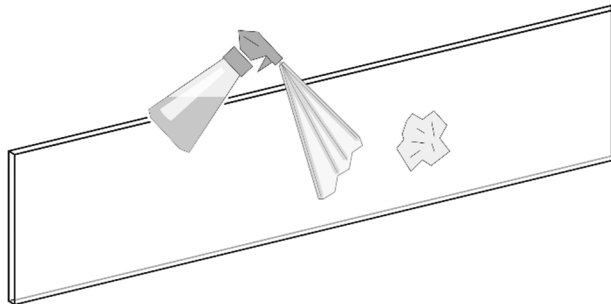
- Inspect the appliance prior to each use.
- Keep the appliance clean and remove any debris that collects in or on the appliance. Inspect for spiders and insects, they may clog burner ports or air inlets and need to be removed before use.
- Have the appliance inspected by a qualified service technician annually.
- The stainless-steel burner top will discolor – this is normal.

Your appliance is designed to be easily cleaned and maintained. The most common maintenance that your appliance will require is cleaning the glass windbreaks. Clean with glass cleaner or warm soapy water. The windbreak glass on the appliance is tempered and designed for safety. If the glass breaks it will shatter into small square pieces similar to a car window. It is special glass and if you break one or need to replace a piece of glass, use only 3/8" thick tempered glass supplied by your Fire Garden™ dealer.

### **Glass Cleaning**

**The appliance must be completely cool before cleaning the glass.**

The glass may be cleaned with a non-abrasive cleaner. To clean the inside of the glass, remove the glass, place it on a non-scratching surface, and clean the inside surface.



## *Accessing Components*



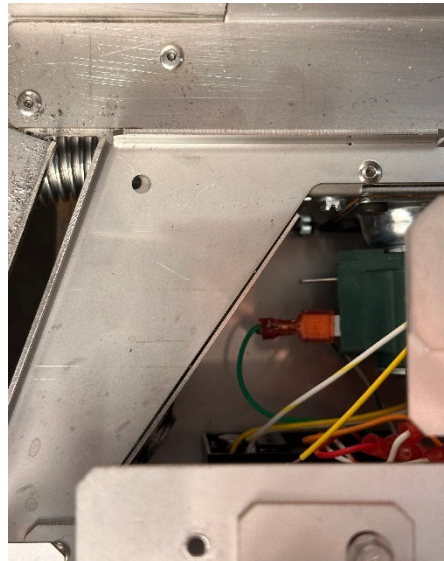
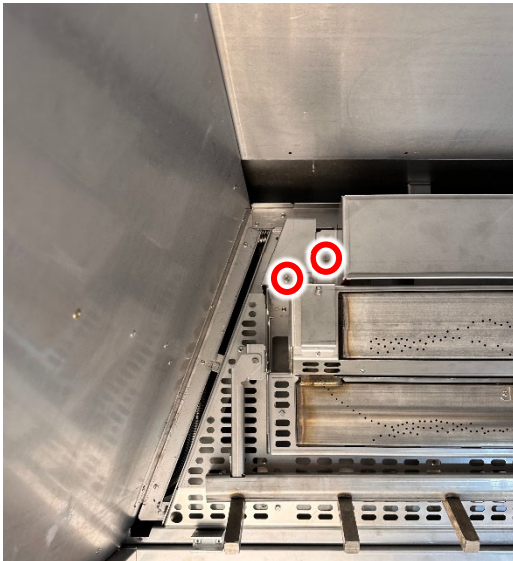
Disconnect power before attempting maintenance or repair.



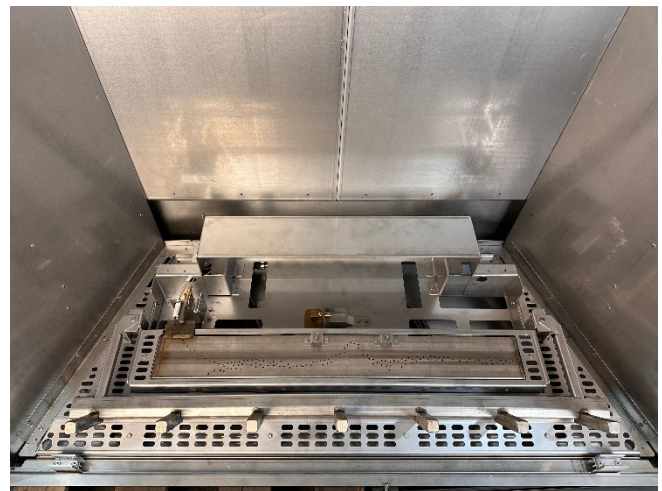
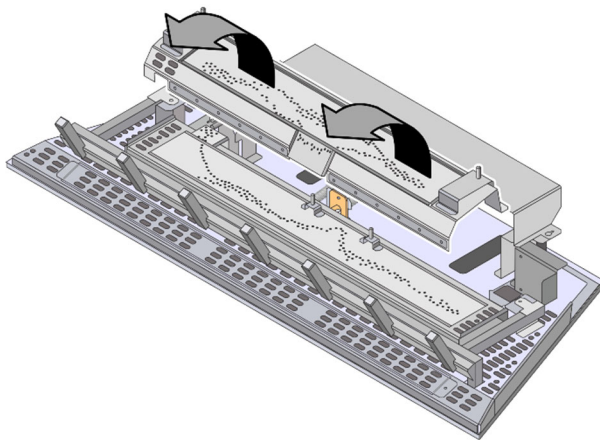
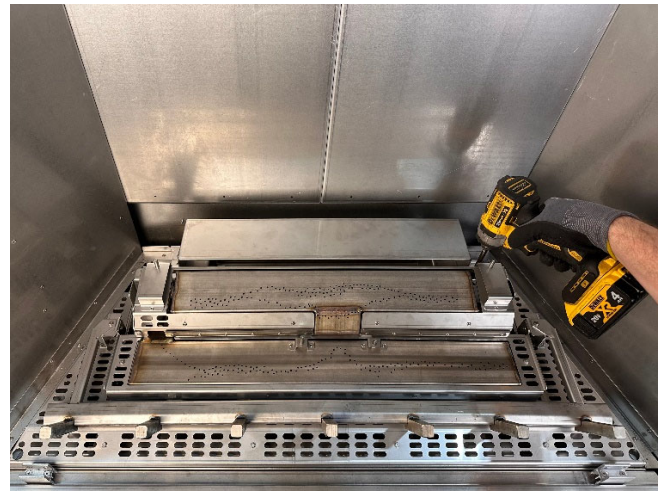
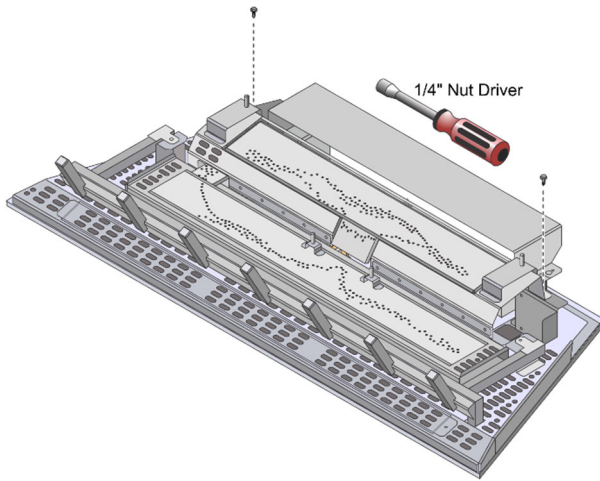
Turn off the gas supply to the fireplace before attempting maintenance or repair.

## *Accessing Pilot Assembly Components*

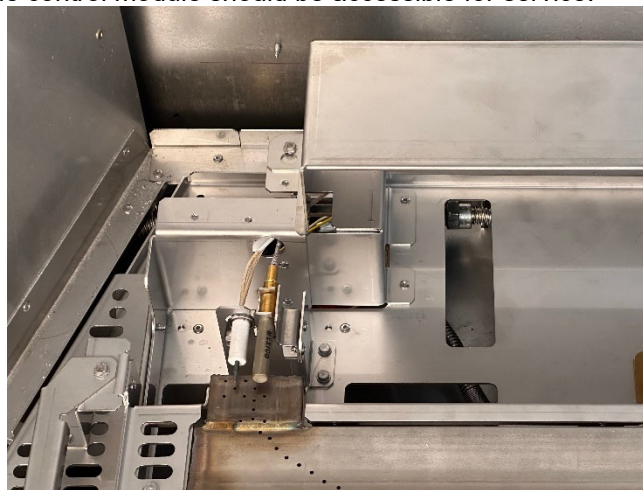
- On the left rear of the burner tray assembly, there is a removable cover plate that allows access to the electrical connections from the controller to the pilot. Use a 1/4" driver to remove the (2) screws that secure the cover plate to the burner assembly. Lift the cover plate and remove it from the firebox.



- Remove the rear burner, use a 1/4" driver to remove the (2) screws that secure the burner to the burner tray assembly.



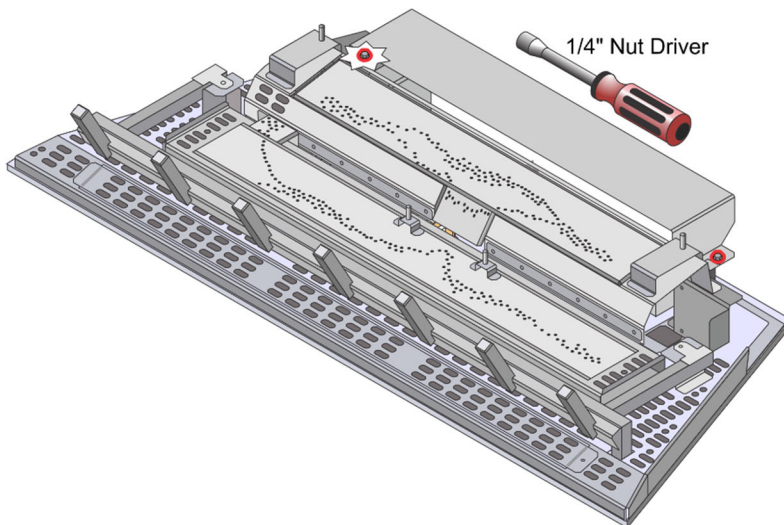
- With the rear burner removed and the cover plate removed, the pilot components and the connections to the control module should be accessible for service.



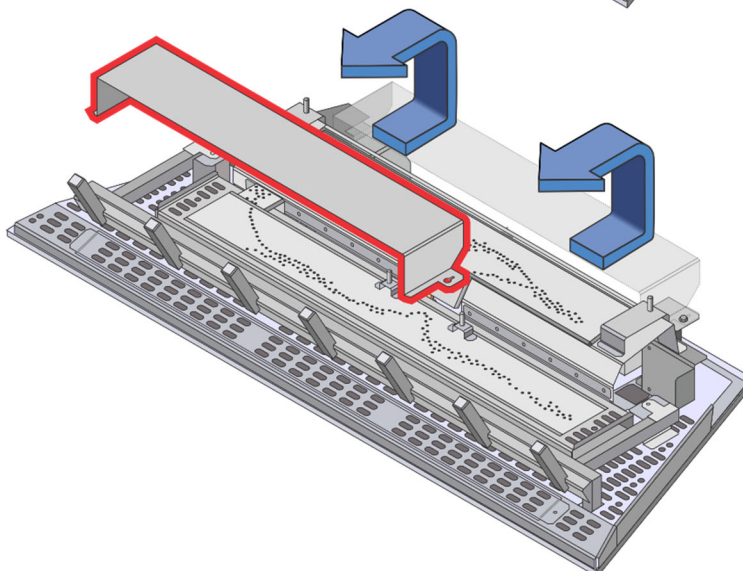
**Accessing the Pressure Tap**

Access the pressure tap to take a gas pressure reading by following the steps below.

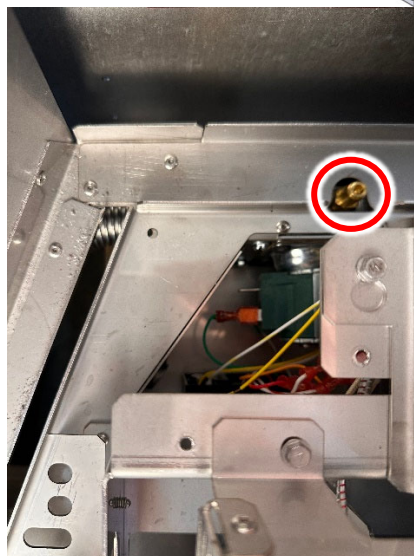
- Remove the rear log support. Use a 1/4" driver to loosen the (2) screws that secure the support to the burner assembly. The log support has keyhole slots, so the screws do not need to be removed.



- Slide the log support toward the rear of the fireplace and then lift the support and remove it from the firebox.

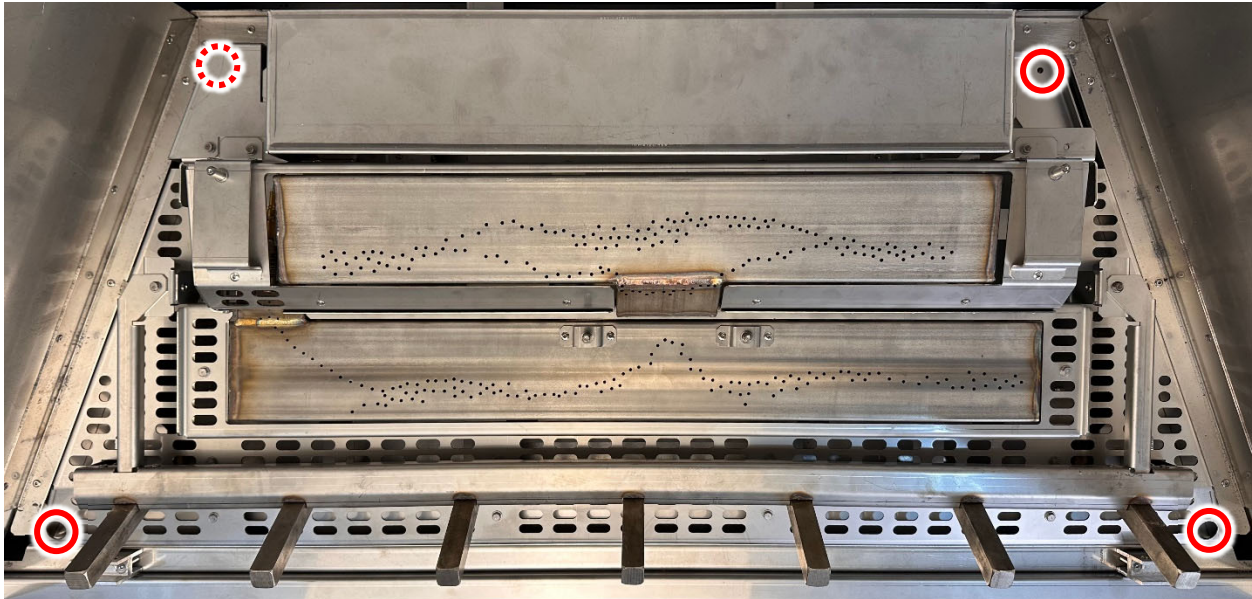


- The pressure tap is now accessible in the rear left corner of the burner tray assembly.

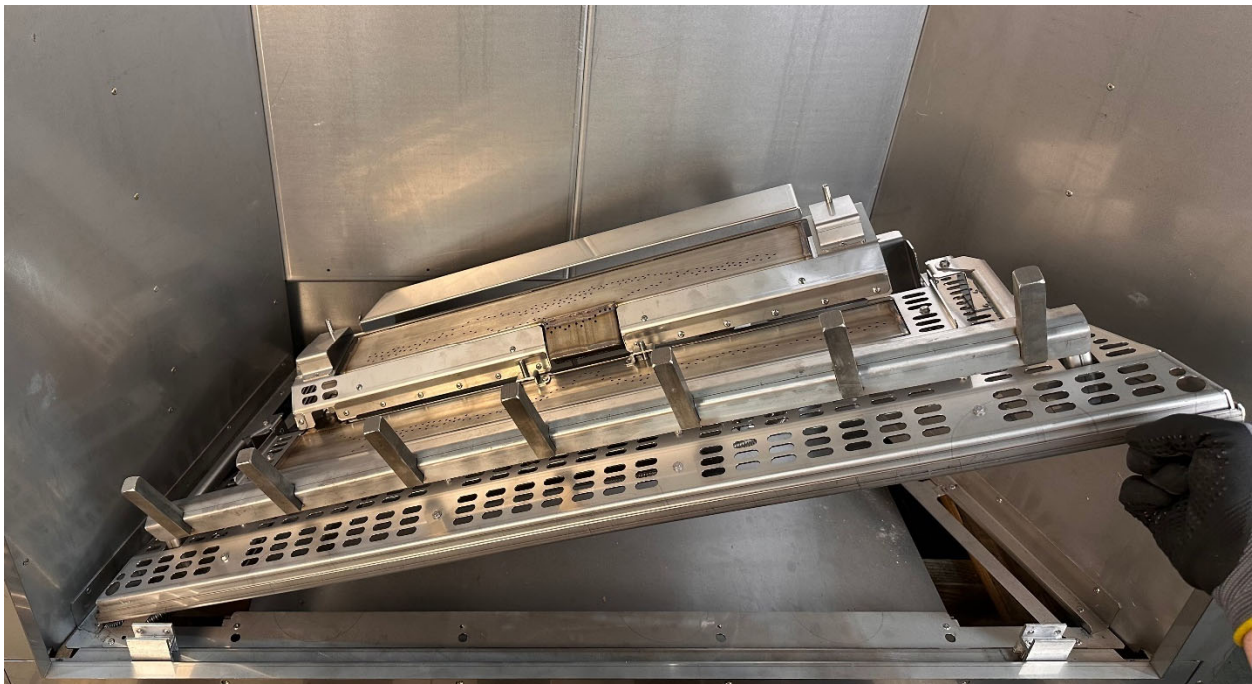


## Removing the Burner Tray Assembly

- Use a 1/4" driver to remove the (4) screws that secure the burner tray assembly to the fireplace body (see picture below).



- Lift the burner tray assembly to gain access to all other gas and electrical components. If the tray needs to be completely removed from the fireplace, disconnect the gas flex and household voltage wires from the burner tray assembly.



**Winterizing the Appliance****! WARNING !****THE GAS MUST BE TURNED OFF IF A COVER IS INSTALLED ON THE APPLIANCE.**

Failure to turn off the gas when the appliance is covered can create a severe safety hazard and may result in property damage, personal injury, or loss of life.

In areas where the appliance may not be used in winter, or for an extended period, you may wish to cover the appliance. If a cover is used you **MUST** shut off gas to the appliance. This will ensure the appliance is not accidentally turned on or started with debris or snow inside the fireplace.

**Yearly Service Procedure****DANGER HIGH VOLTAGE:** Disconnect power before attempting maintenance or repair.

- Failure to inspect and maintain the fireplace may lead to improper combustion and a potentially dangerous situation. We recommend the following procedures be done by a qualified technician.

**THIS APPLIANCE IS NOT USER SERVICEABLE:** Contact your dealer for service.

Inspect the pilot flame. The top 1/4" of both the thermopile and igniter should be within the flame. If it is not, contact your dealer for service.

Shut off gas to the fireplace and let it cool for 15 minutes.

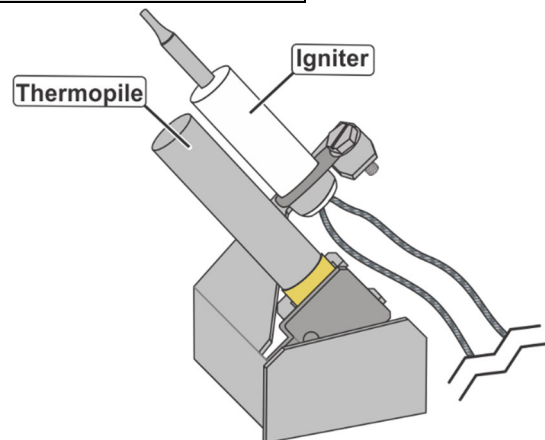
Remove crushed media. If excessive sooting is found, the fireplace will require adjustment. Contact your dealer.

Inspect the burner and remove any debris.

- Make sure the burner is not warped, cracked, or damaged.
- Check the firebox and area around the pilot to make sure there is no warping or damage.
- If any problem is found, discontinue use and contact your dealer for service.
- Replace the media.

Check the gas control valve and the gas lines. If damage is found, discontinue use and contact your dealer for service.

Start the main burner. After 15 minutes the flames should be orange/yellow. If the fireplace is not burning correctly, contact your dealer for service. If the igniter is not getting hot or lighting the fireplace properly, contact your dealer for service.



## ***Replacement Parts List***

**Caution:** Use only Travis Industries replacement parts. Do not use substitute materials.

**Warning:** Do not operate the appliance with the glass windbreak removed, cracked, or broken. Replacement of the glass should be done by a licensed or qualified service person.

<b>TRADITIONAL FIREPLACE REPLACEMENT PARTS</b>	
GAS CONTROL VALVE	250-05704
THERMOPILE	250-04550
IGNITER	250-04549
CONTROL MODULE	250-04553
40x24 FP - WINDBREAK GLASS - 38-7/8" x 6" (Qty 1)	250-05773
BURNER ORIFICE - (#30)	250-04091
BURNER ORIFICE - (#39)	250-02005
BURNER ORIFICE - (#44)	250-00410
BURNER ORIFICE - (#50)	250-00753
WALL SWITCH	250-00778
WALL SWITCH COVER PLATE	250-05821

Contact your local Fire Garden™ dealer to purchase replacement parts

**Troubleshooting Table**

<b>Problem:</b>	<b>Possible Cause:</b>	<b>Don't Call for Service Until You:</b>
<b>Appliance Does Not Light and igniter does not Glow Red</b>	<ul style="list-style-type: none"> <li>• Electrical Power Off</li> <li>• Igniter burned out</li> <li>• Burner or burner orifice may be dirty or blocked</li> </ul>	<p>Verify power is on and check the circuit breaker or GFCI.</p> <p>Replace Igniter</p> <p>Contact your dealer for details on removing any debris (spider webs, etc.) from the burner and orifice area.</p>
<b>Appliance Does Not Light and Igniter Glows Red</b>	<ul style="list-style-type: none"> <li>• Gas is Off</li> <li>• Not enough electrical current to the fireplace</li> </ul>	<p>Turn Gas On (check shut-off valve)</p> <p>Voltage must be checked with power draw (fireplace in startup)</p>
<b>Appliance Lights During Ignition Sequence then Goes Out During Normal Operation</b>	<ul style="list-style-type: none"> <li>• Dirty Air Channel or Burner</li> <li>• Thermopile has worn out</li> </ul>	<p>Remove the media and clean soot from burner, and any air channels. If problem persists, contact the dealer for service.</p> <p>Replace thermopile</p>
<b>Flames are too short</b>	<ul style="list-style-type: none"> <li>• The gas supply pressure to the appliance is too low.</li> </ul>	<p>Depleted LP cylinder.</p> <p>Gas supply lines or gas regulators do not have enough capacity. This may be due to other appliances in the house using up the available capacity, e.g. pool heaters, furnaces, hot water tanks, etc.</p>
<b>Glass is Sooting</b>	<ul style="list-style-type: none"> <li>• Burner or burner orifice may be dirty or blocked</li> <li>• Windy Condition</li> </ul>	<p>Contact your dealer for details on removing any debris (spider webs, etc.) from the burner and orifice area.</p> <p>Wind will influence the flame quality and, if persistent, may lead to sooting on the glass.</p>

# Limited Warranty

65

Register your TRAVIS INDUSTRIES, INC. Limited 1-Year Warranty online at [traviswarranty.com](http://traviswarranty.com). TRAVIS INDUSTRIES, INC. warrants this gas appliance (appliance is defined as the equipment manufactured by Travis Industries, Inc.) to be defect-free in material and workmanship to the original purchaser from the date of purchase as follows:

Check with your dealer in advance for any costs to you when arranging a warranty call.  
Mileage or service charges are not covered by this warranty. This charge can vary from store to store.

Warranty Period			Component
Residential		Commercial	
Parts	Labor	Parts	
7 years	2 years	1 year	<b>Burner Assembly</b> Main Burner Orifice, Stainless Steel Burner Tray
2 years	2 years	1 year	<b>Firebox Assembly</b>
2 years	2 years	1 year	<b>Electrical Assembly (within appliance structure)</b> Wire harness, Transformer (if purchased with the appliance), Igniter
2 years	2 years	1 year	<b>Gas Control Assembly</b> Gas Valve, Pilot Assembly Components
2 years		1 year	<b>One-Way Freight Allowance</b> One-way freight allowance on pre-authorized repair done at the factory is covered.
90 days		90 days	<b>Accessories</b> Wind Guard Glass (Thermal shock only), log sets, Firebacks
90 days		90 days	<b>All replacement parts purchased beyond the warranty period</b>

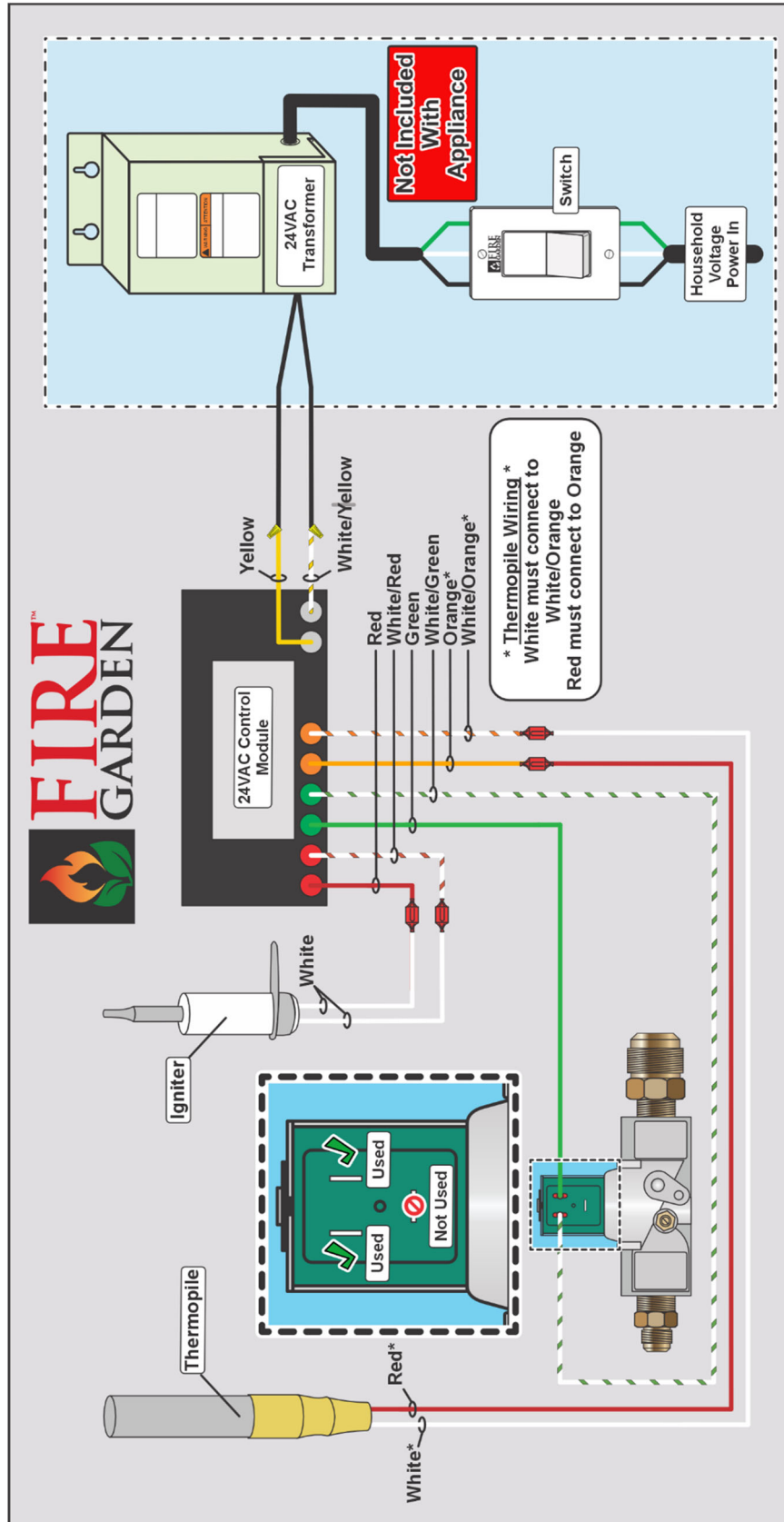
## CONDITIONS & EXCLUSIONS

- This new gas appliance must be installed by a qualified gas appliance technician. It must be installed, operated, and maintained at all times in accordance with the instructions in the Owner's Manual. Any alteration, willful abuse, accident, neglect, alteration, misapplication, or misuse of the product shall nullify this warranty.
- This warranty is non-transferable and is made to the ORIGINAL purchaser, provided that the purchase was made through an authorized TRAVIS dealer.
- Discoloration and some minor expansion, contraction, or movement of certain parts and resulting noise, is normal and not a defect and, therefore, not covered under warranty. The installer must ensure the appliance is burning as per the rating tag at the time of installation. Overfiring (operation above the listed BTU rate) of this appliance can cause serious damage and will nullify this warranty.
- This warranty does not cover damage to the finish, such as scratches, dents, discoloration, rust, or other weather damage, after purchase.
- Travis Industries will not be responsible for inadequate performance caused by environmental conditions such as nearby trees, buildings, rooftops, wind, hills or mountains, or other influences from mechanical systems such as fans, etc.
- This Warranty is void if:
  - The unit has been operated in atmospheres contaminated by chlorine, fluorine, or other damaging chemicals.
  - The unit is subject to submersion in water.
- Exclusions to this warranty include: injury, loss of use, damage, failure to function due to accident, negligence, misuse, improper installation, alteration, or adjustment of the manufacturer's settings of components, lack of proper and regular maintenance, damage incurred while the appliance is in transit, alteration, or act of God.
- This warranty excludes damage caused by normal wear and tear, such as discoloration. Also excluded is damage to the unit caused by abuse, improper installation, modification of the unit, drilling of the orifices, or the use of fuel other than that for which the unit is configured. Units are shipped for either natural gas or propane. Confirm fuel configuration with your installer.
- Damage to stainless steel surfaces caused by fingerprints, scratches, melted items, or other external sources left on the stainless steel from the use of cleaners is not covered in this warranty.
- TRAVIS INDUSTRIES, INC. is free of liability for any damage caused by the appliance, as well as inconvenience expenses and materials. Incidental or consequential damages are not covered by this warranty. In some states, the exclusion of incidental or consequential damage may not apply.
- This warranty does not cover any loss or damage incurred by the use or removal of any component or apparatus to or from the gas appliance without the express written permission of TRAVIS INDUSTRIES, INC. and bearing a TRAVIS INDUSTRIES, INC. label of approval.
- Any statement or representation of TRAVIS products and their performance contained in TRAVIS advertising, packaging literature, or printed material is not part of this warranty.
- This warranty is automatically voided if the appliance's serial number has been removed or altered in any way.
- No dealer, distributor, or similar person has the authority to represent or warrant TRAVIS products beyond the terms contained within this warranty. TRAVIS INDUSTRIES, INC. assumes no liability for such warranties or representations.
- Travis Industries will not cover the cost of the removal or re-installation.
- If for any reason any section of this warranty is declared invalid, the balance of the warranty remains in effect and all other clauses shall remain in effect.
- THIS WARRANTY IS THE ONLY WARRANTY SUPPLIED BY TRAVIS INDUSTRIES, INC., THE MANUFACTURER OF THE APPLIANCE. ALL OTHER WARRANTIES, WHETHER EXPRESS OR IMPLIED, ARE HEREBY EXPRESSLY DISCLAIMED AND THE PURCHASER'S RECOURSE IS EXPRESSLY LIMITED TO THE WARRANTIES SET FORTH HEREIN.

## IF WARRANTY SERVICE IS NEEDED:

- If you discover a problem that you believe is covered by this warranty, you MUST REPORT it to your TRAVIS dealer WITHIN 30 DAYS, giving them proof of purchase, the purchase date, and the model name and serial number.
- Travis Industries has the option of either repairing or replacing the defective component.
- If your dealer is unable to repair your appliance's defect, he may process a warranty claim through TRAVIS INDUSTRIES, INC., including the name of the dealership where you purchased the appliance, a copy of your receipt showing the date of the appliance's purchase, and the serial number on your appliance. At that time, you may be asked to ship your appliance, freight charges prepaid, to TRAVIS INDUSTRIES, INC. TRAVIS INDUSTRIES, INC., at its option, will repair or replace, free of charge, your TRAVIS appliance if it is found to be defective in material or workmanship within the time frame stated within this warranty. TRAVIS INDUSTRIES, INC. will return your appliance, freight charges prepaid by TRAVIS INDUSTRIES, INC., to your regional distributor, or dealership.

## Wiring Diagram





Accessing Components .....	58	Gas Specifications .....	5
Additional Items Required .....	8	Glass Cleaning.....	57
Appliance Placement Requirements.....	9	Hearth Requirements.....	30
Appliance Weight .....	5	Installation Warnings .....	7
Assembling the Windbreak .....	46	Lifting Handles (optional).....	8
Before the First Fire .....	55	Location of Controls.....	56
Clearances .....	11	LP Conversion .....	19
Corner Framing .....	12	Maintaining Your Appliance .....	57
Daisy-Chain Wire Length Chart .....	28	Mantel Requirements.....	31
Direct-Run Wire Length Chart.....	29	Minimum Framing Dimensions .....	11
Electrical Connection Requirements.....	22	Multiple Appliances to One Transformer .....	27
Electrical Specifications .....	5	Multiple Transformers to One Switch.....	26
Enclosure Ventilation Requirements.....	14	Operating Instructions.....	55
Facing Requirements .....	30	Packing List.....	7
Fireback Installation .....	37	Recommended Order of Installation .....	7
Fireplace Dimensions.....	6	Replacement Parts List.....	63
Fireplace Gas Specifications.....	5	Steps for Finalizing the Installation .....	32
Fireplace Placement Chart.....	10	Troubleshooting Table .....	64
Fireplace Preparation.....	16	Using More than One 24-volt Appliance .....	26
Gas Line Requirements .....	18	Winterizing the Appliance .....	62
Gas Pressures .....	5	Yearly Service Procedure .....	62