

4

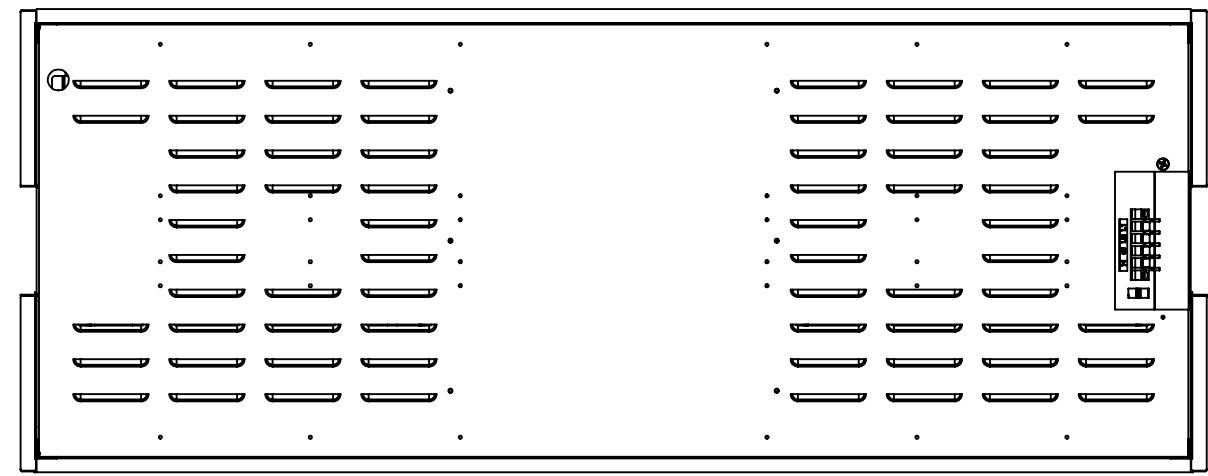
3

2

1

DIMS AND SPECIFICATIONS

*EXTERIOR SCREWS ARE FLAT HEADS
NO NEED TO MODIFY DIMS TO ACCOUNT



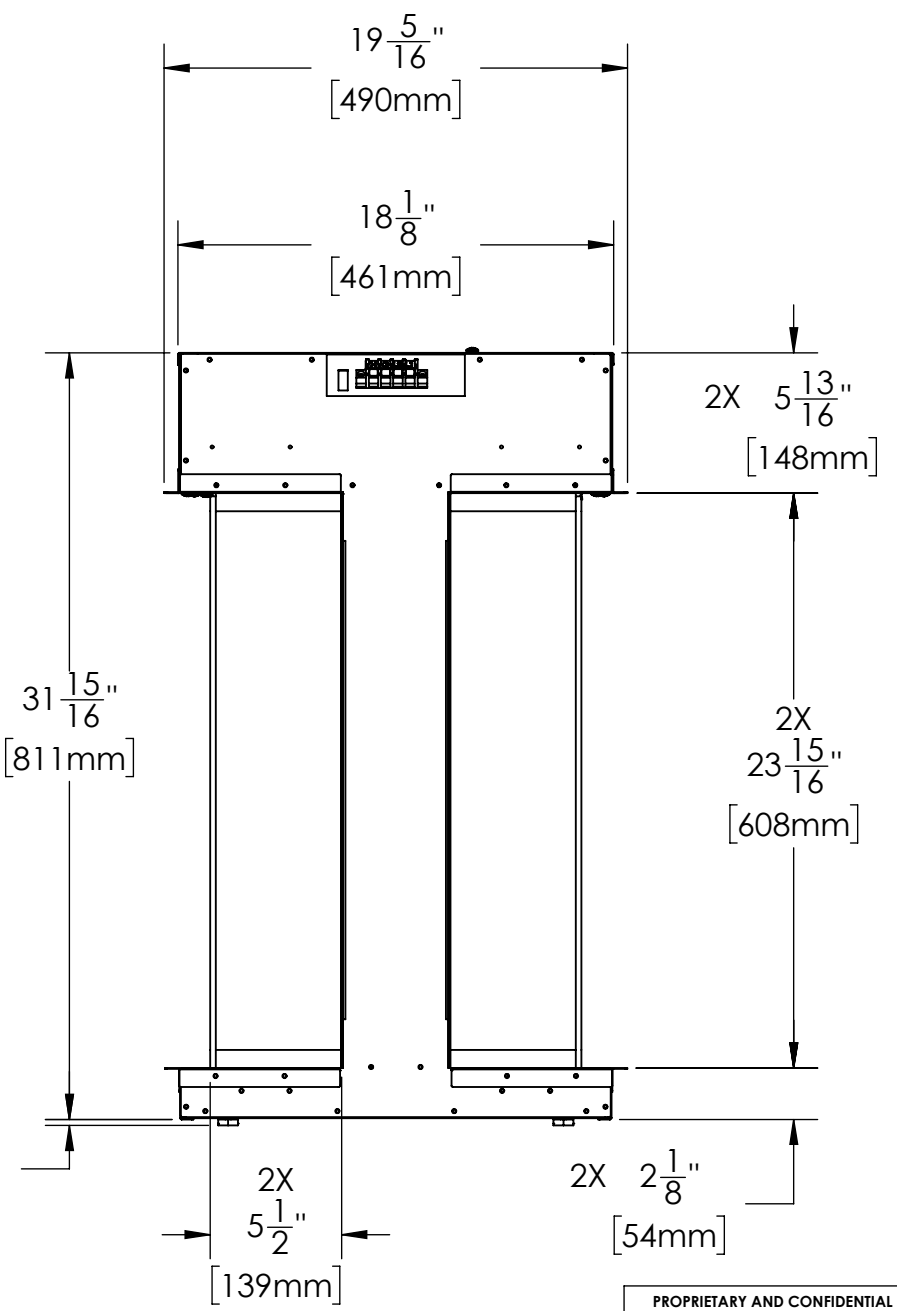
$48 \frac{3}{16}$ "
[1224mm]

$32 \frac{3}{16}$ "
 $33 \frac{3}{16}$ "
[818mm]
[843mm]

$45 \frac{13}{16}$ "
[1164mm]

$22 \frac{7}{16}$ "
[570mm]

$49 \frac{7}{16}$ "
[1255mm]



$19 \frac{5}{16}$ "
[490mm]

$18 \frac{1}{8}$ "
[461mm]

2X $5 \frac{13}{16}$ "
[148mm]

$31 \frac{15}{16}$ "
[811mm]

2X $23 \frac{15}{16}$ "
[608mm]

$\frac{1}{4}$ "
 $1 \frac{1}{4}$ "
[6mm]
[32mm]

2X $5 \frac{1}{2}$ "
[139mm]

2X $2 \frac{1}{8}$ "
[54mm]

PROPRIETARY AND CONFIDENTIAL
THE INFORMATION CONTAINED IN THIS DRAWING IS THE SOLE PROPERTY OF RICHARDSON PRODUCTS GROUP (RPG BRANDS). ANY REPRODUCTION IN PART OR AS A WHOLE WITHOUT THE WRITTEN PERMISSION OF RICHARDSON PRODUCTS GROUP (RPG BRANDS) IS PROHIBITED.

RPG BRANDS

TITLE: NOVA CLEAR DIMENSIONS

SIZE B	DWG. NO. NOVA CLEAR	REV A
SCALE: 1:8	WEIGHT:	SHEET 2 OF 31

4

3

2

1

B

B

A

A