



MODERN  FLAMES[®]
ELECTRIC FIREPLACES



Nova[™] Clear

TRANSPARENT LASER PROJECTION TECHNOLOGY



Nova™ Clear

PATENTED LASER PROJECTION TECHNOLOGY
48" x 24"

The **Nova™ Clear** is the first transparent virtual electric fireplace featuring revolutionary laser projection technology, combining expert engineering with modern design to deliver the most advanced electric fireplace available today.

KEY FEATURES

Transparent Flame Display

Experience ultra-realistic, high-definition flames with over 85% transparency, creating a seamless, see-through experience.

Dual-Zone Heating

Customize your comfort. Heat two rooms simultaneously or separately, each with up to 5,000 BTUs.

Entertainment-Ready

When not used as a fireplace, transform the Nova™ Clear into a media display—stream your favorite TV shows, movies, or gaming content from your preferred device.

Immersive Sound

Three unique crackling fire sounds enhance the ambiance, or you can stream music via Bluetooth for a fully customizable audio experience.



Now accepting
showroom orders for
the new **Nova Clear**.

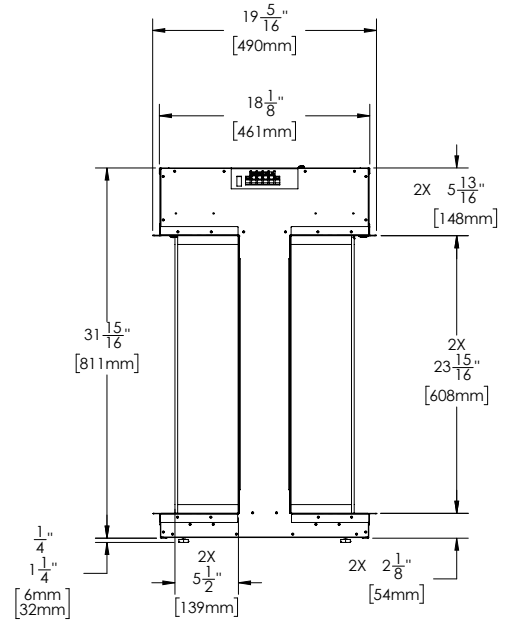
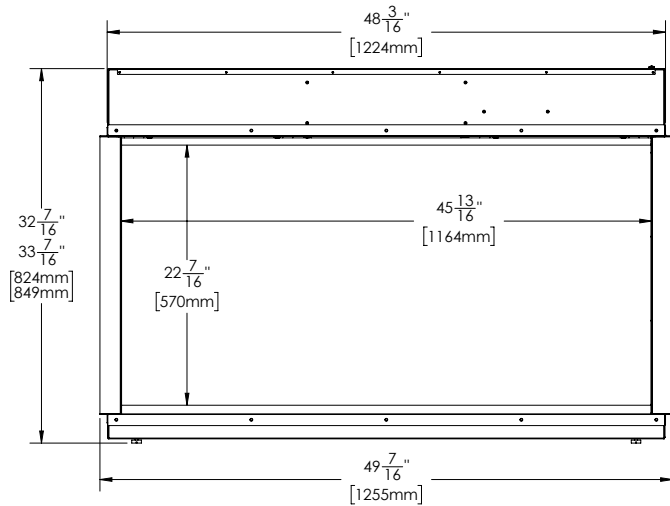
Secure your units early
and be among the first
to present this new
product



READY TO PLACE YOUR ORDER?
CONTACT YOUR NEE HEARTH BRANCH TODAY!
TOLL FREE: 1-866-574-5100 | WWW.NEEFIREPLACES.CA

SHARE YOUR INSTALLS WITH US ONLINE
@NEEFireplaces facebook.com/NEEFireplaces
TAG US ON INSTAGRAM & FACEBOOK

Nova™ Clear Specifications



Sample Installation Styles

