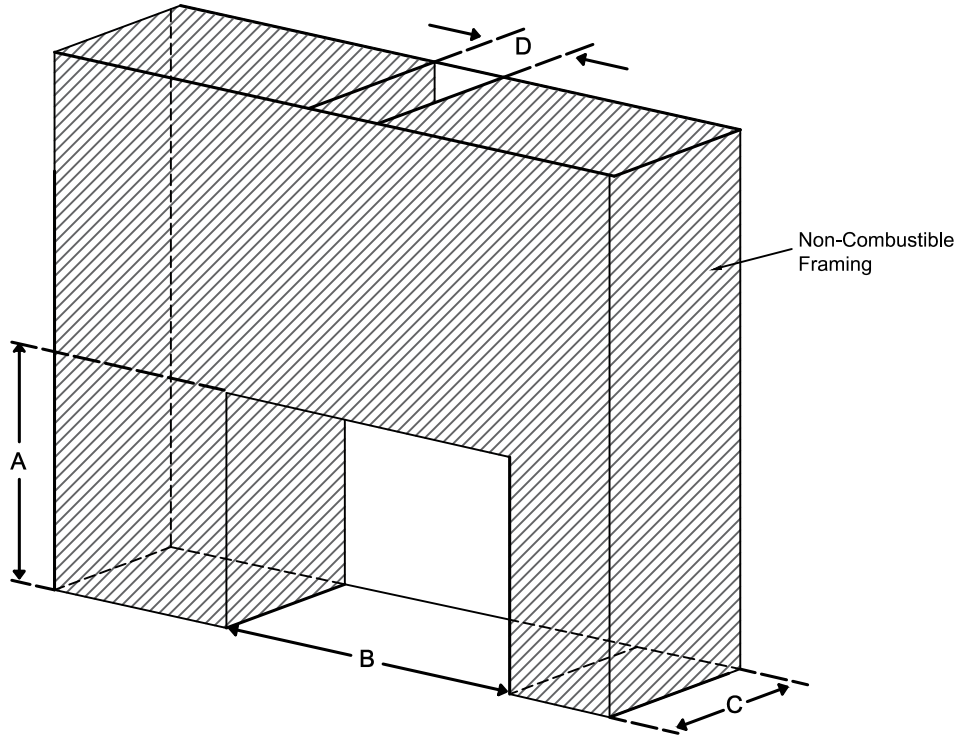


## Framing Information: TR 42 OD (Screen)



### Minimum Framing Dimensions



Model	A	B	C	D
TR 42	47 <sup>3</sup> / <sub>8</sub> "	59 <sup>3</sup> / <sub>8</sub> "	26 <sup>1</sup> / <sub>2</sub> "	Refer to Vent Manufacturer's Firestop Dimensions

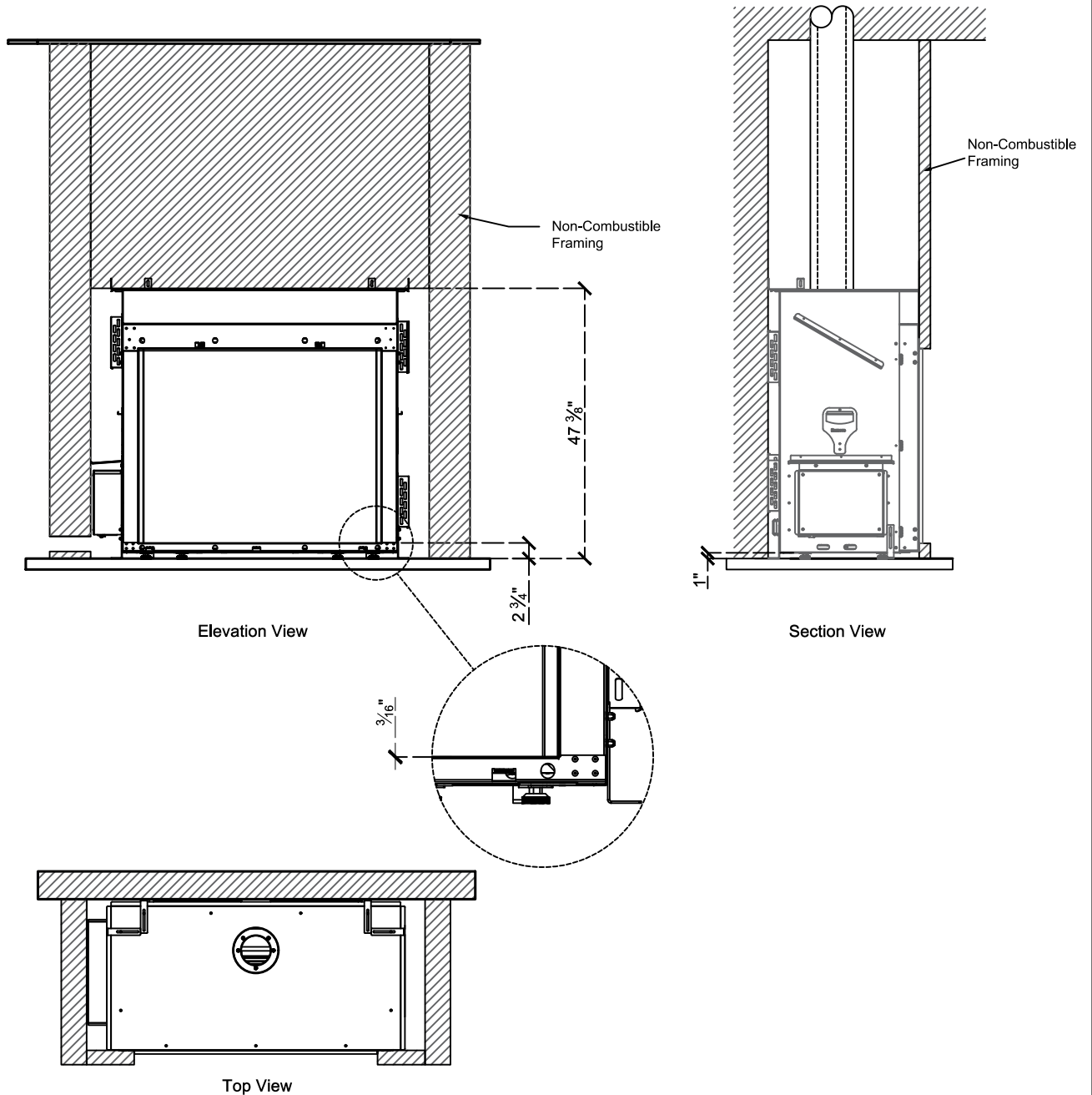
**Note :**

1. Drawings are not to Scale
2. All dimensions in inches
3. No weight can be transferred to the fireplace. ALL FRAMING MUST BE SELF-SUPPORTED.

## Framing Information: TR 42 OD (Screen)

**ORTAL**  
YOUR LIFE. YOUR FIRE

### Framing Details

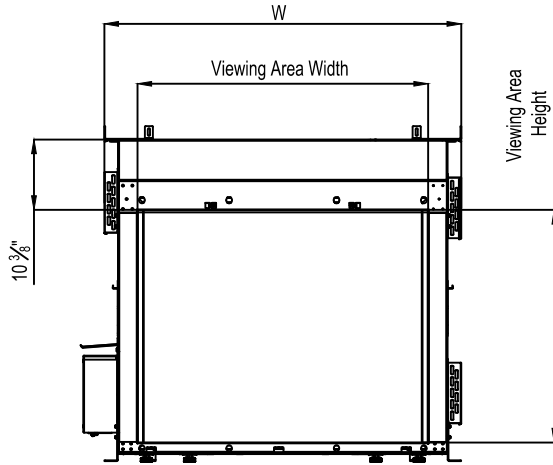


- Note :
1. Drawings are not to Scale
  2. All dimensions in inches
  3. No weight can be transferred to the fireplace. ALL FRAMING MUST BE SELF-SUPPORTED.

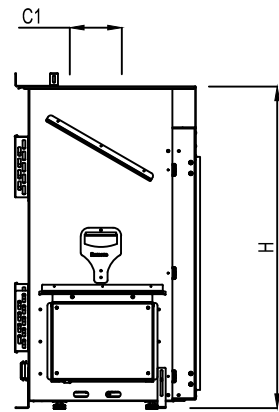
## Framing Information: TR 42 OD (Screen)



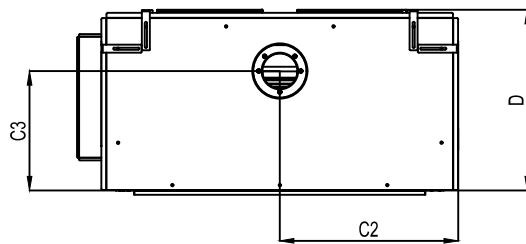
### Fireplace Dimensions



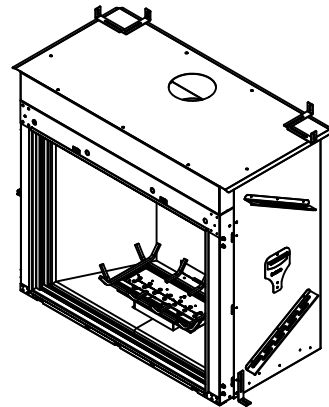
Front View



Side View



Top View



Model	(H) Height	(W) Width	(D) Depth	C1	C2	C3	Viewing Area	
							Front	Side
TR 42	47 1/8"	52 3/8"	26 1/2"	7 7/8"	26 3/16"	17 1/2"	42 3/4" W X 34 1/4" H	—

Note : 1. Drawings are not to Scale  
 2. All dimensions in inches