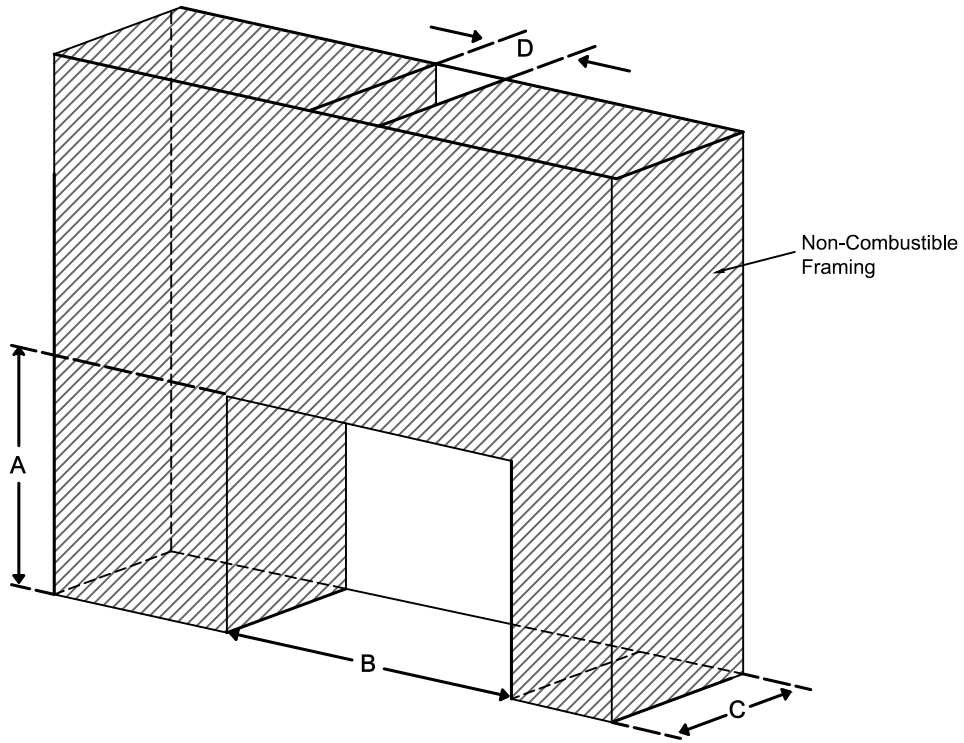


## Framing Information: TR 36 OD (Screen)



### Minimum Framing Dimensions



Model	A	B	C	D
TR 36	44 $\frac{7}{8}$ "	51 $\frac{3}{4}$ "	26 $\frac{1}{2}$ "	Refer to Vent Manufacturer's Firestop Dimensions

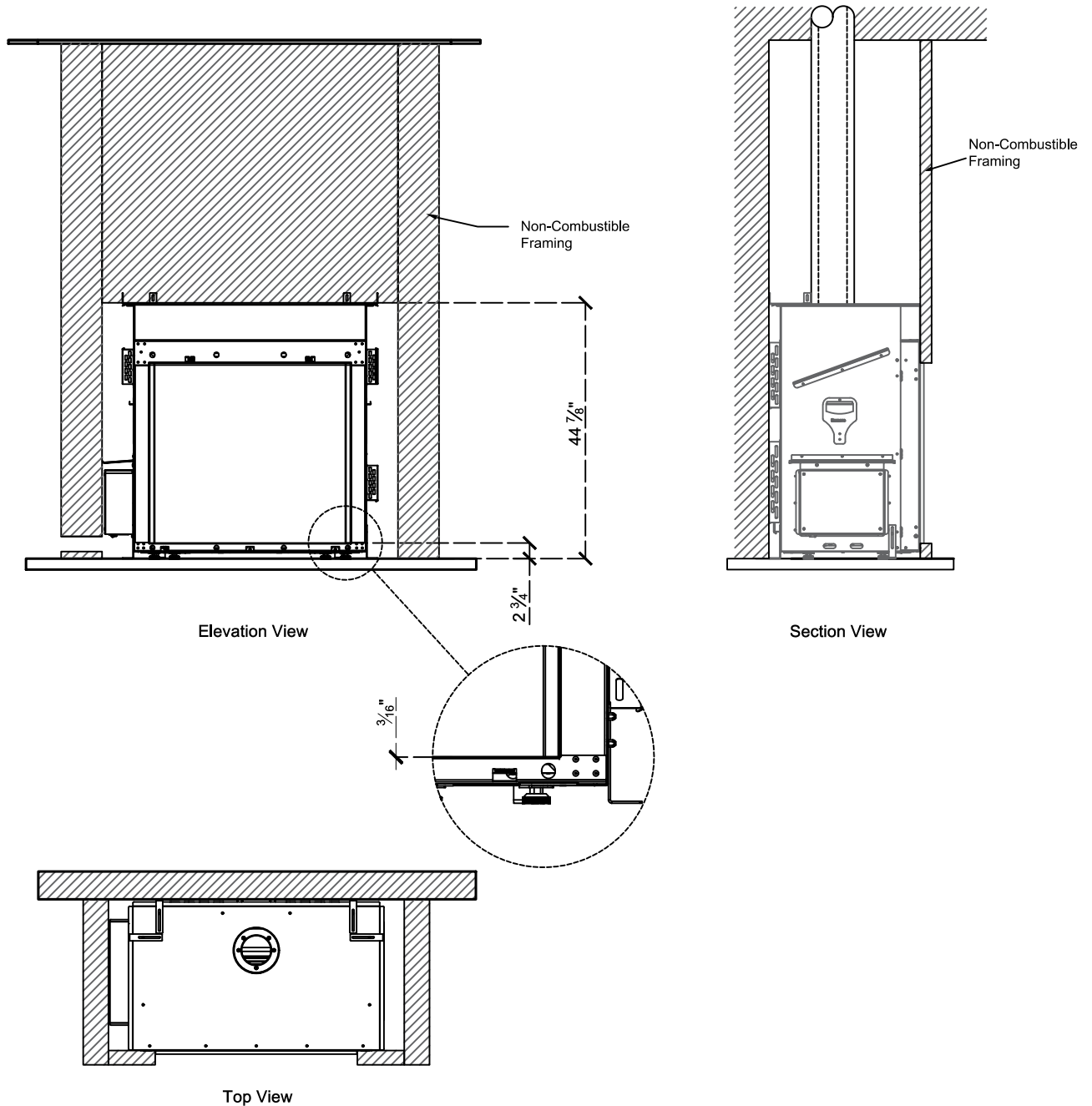
**Note :**

1. Drawings are not to Scale
2. All dimensions in inches
3. No weight can be transferred to the fireplace. **ALL FRAMING MUST BE SELF-SUPPORTED.**

# Framing Information: TR 36 OD (Screen)

**ORTAL**  
YOUR LIFE. YOUR FIRE

## Framing Details

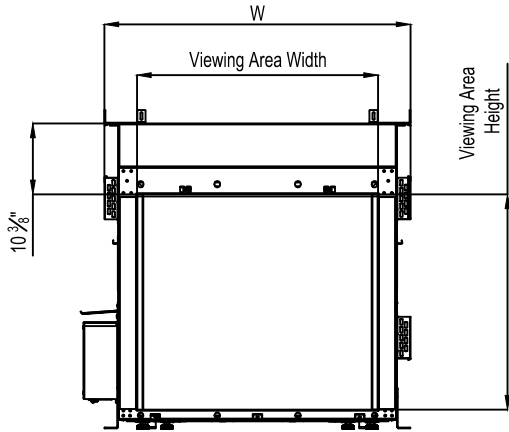


- Note :
1. Drawings are not to Scale
  2. All dimensions in inches
  3. No weight can be transferred to the fireplace. ALL FRAMING MUST BE SELF-SUPPORTED.

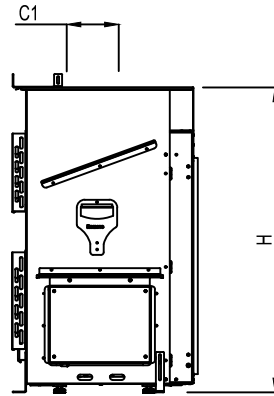
## Framing Information: TR 36 OD (Screen)



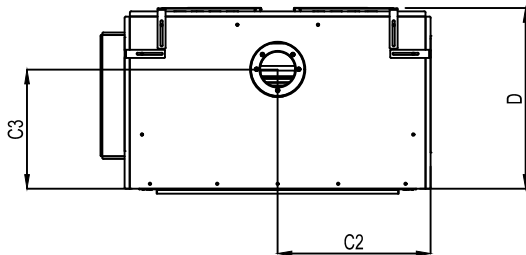
### Fireplace Dimensions



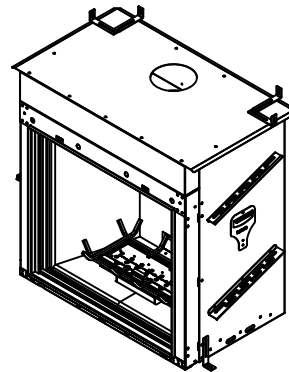
Front View



Side View



Top View



Model	(H) Height	(W) Width	(D) Depth	C1	C2	C3	Viewing Area	
							Front	Side
TR 36	44 <sup>5</sup> / <sub>8</sub> "	44 <sup>3</sup> / <sub>4</sub> "	26 <sup>1</sup> / <sub>2</sub> "	7 <sup>7</sup> / <sub>8</sub> "	22 <sup>3</sup> / <sub>8</sub> "	17 <sup>5</sup> / <sub>8</sub> "	35 <sup>3</sup> / <sub>8</sub> " W X 31 <sup>5</sup> / <sub>8</sub> " H	—

**Note :** 1. Drawings are not to Scale  
 2. All dimensions in inches