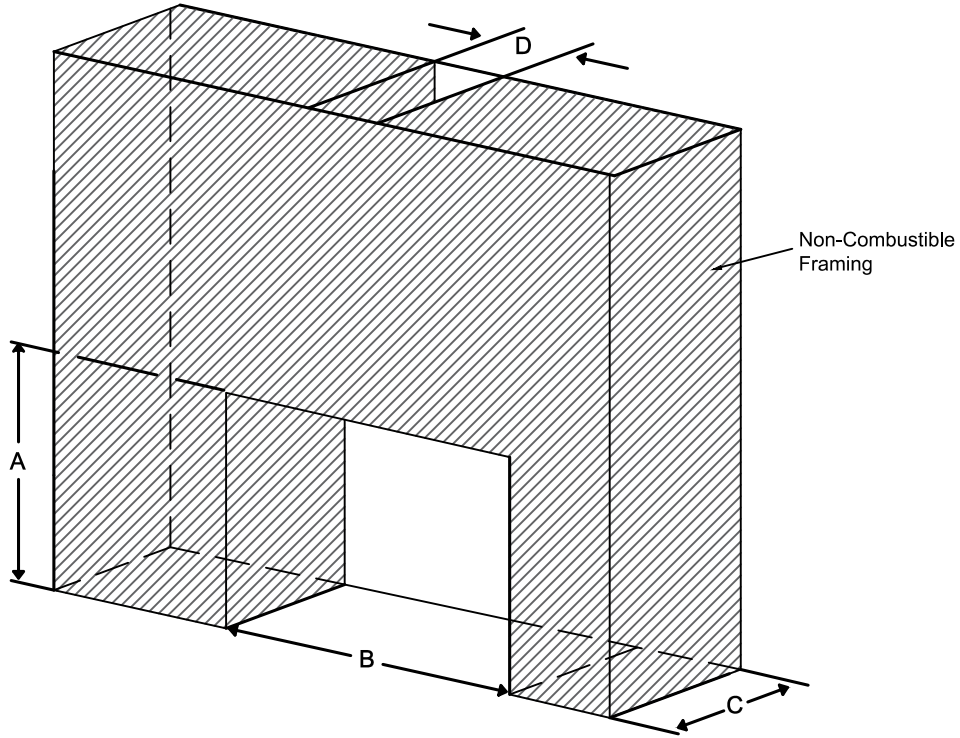


## Framing Information: 60H FR OD (Screen)



### Minimum Framing Dimensions



Model	A	B	C	D
60H Front	45 <sup>7</sup> / <sub>8</sub> "	69 <sup>3</sup> / <sub>8</sub> "	22 <sup>1</sup> / <sub>4</sub> "	Refer to Vent Manufacturer's Firestop Dimensions

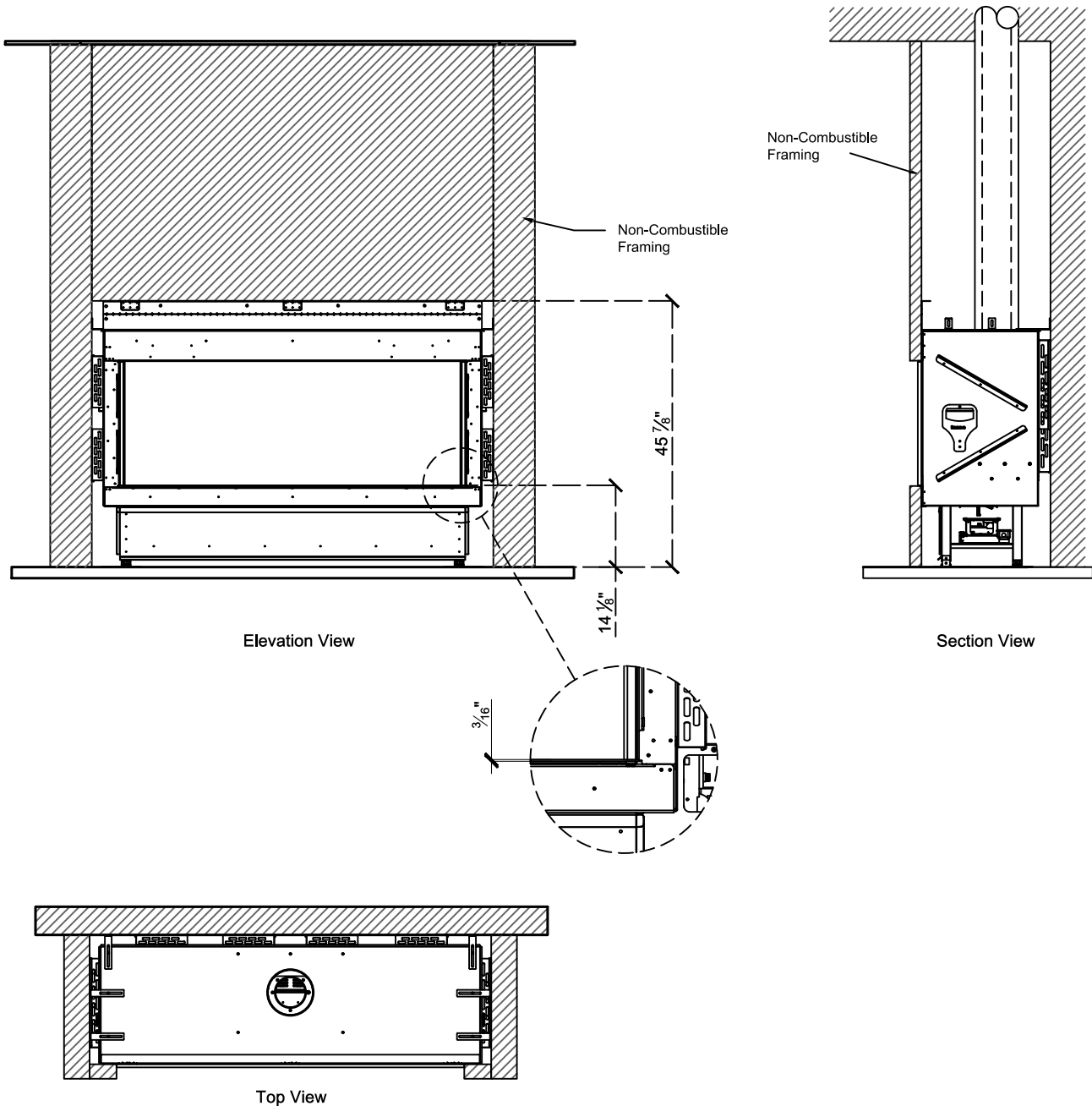
**Note :**

1. Drawings are not to Scale
2. All dimensions in inches
3. No weight can be transferred to the fireplace. **ALL FRAMING MUST BE SELF-SUPPORTED.**

# Framing Information: 60H FR OD (Screen)



## Framing Details

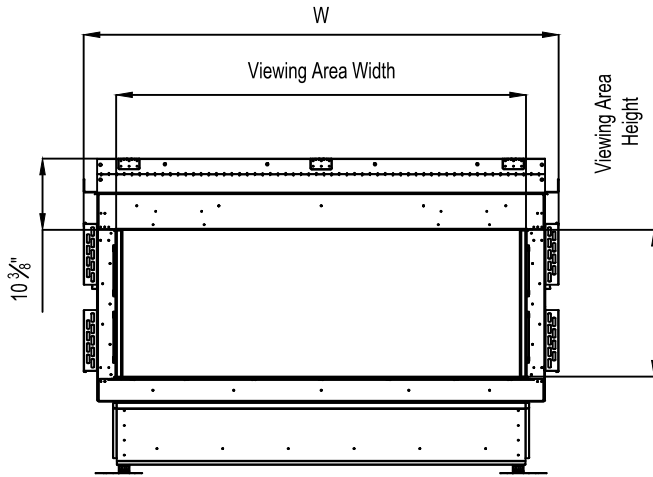


- Note :
1. Drawings are not to Scale
  2. All dimensions in inches
  3. No weight can be transferred to the fireplace. ALL FRAMING MUST BE SELF-SUPPORTED.

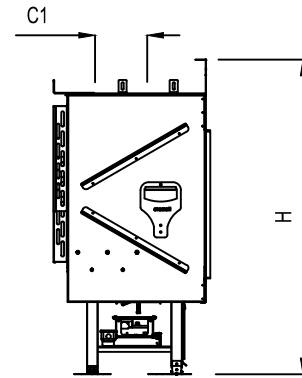
## Framing Information: 60H FR OD (Screen)



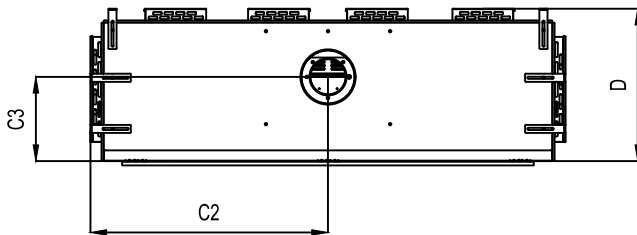
### Fireplace Dimensions



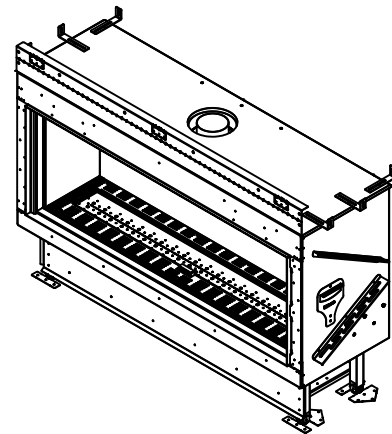
Front View



Side View



Top View



Model	(H) Height	(W) Width	(D) Depth	C1	C2	C3	Viewing Area	
							Front	Side
60H Front	45 7/8"	69 3/8"	22 1/4"	7 7/8"	34 3/4"	12 3/8"	60 1/8" W X 21 5/8" H	—

**Note :** 1. Drawings are not to Scale  
 2. All dimensions in inches