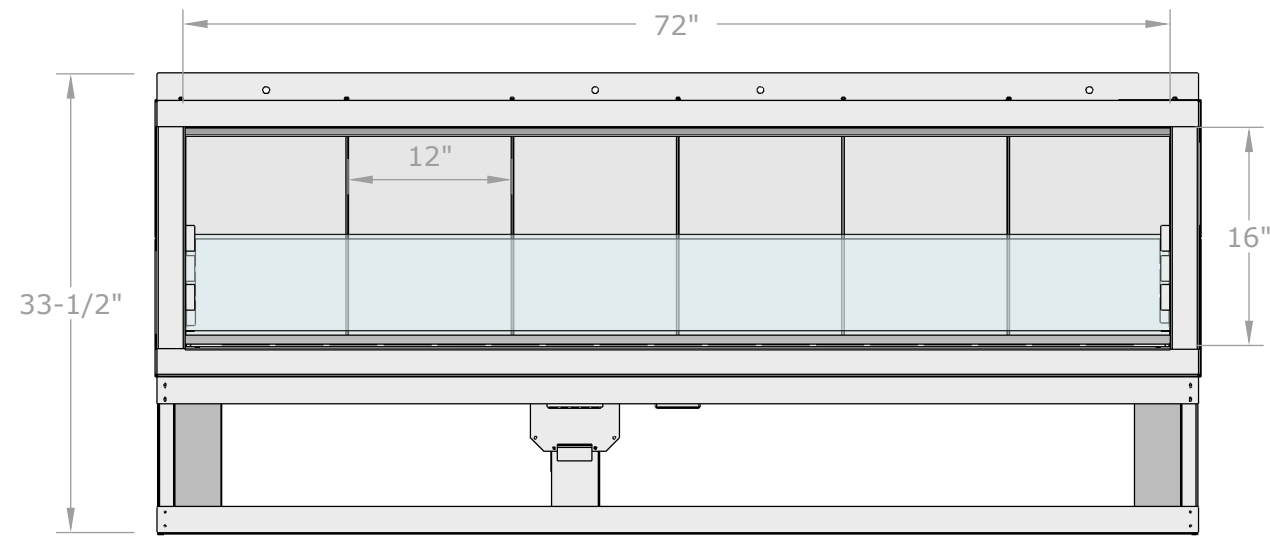
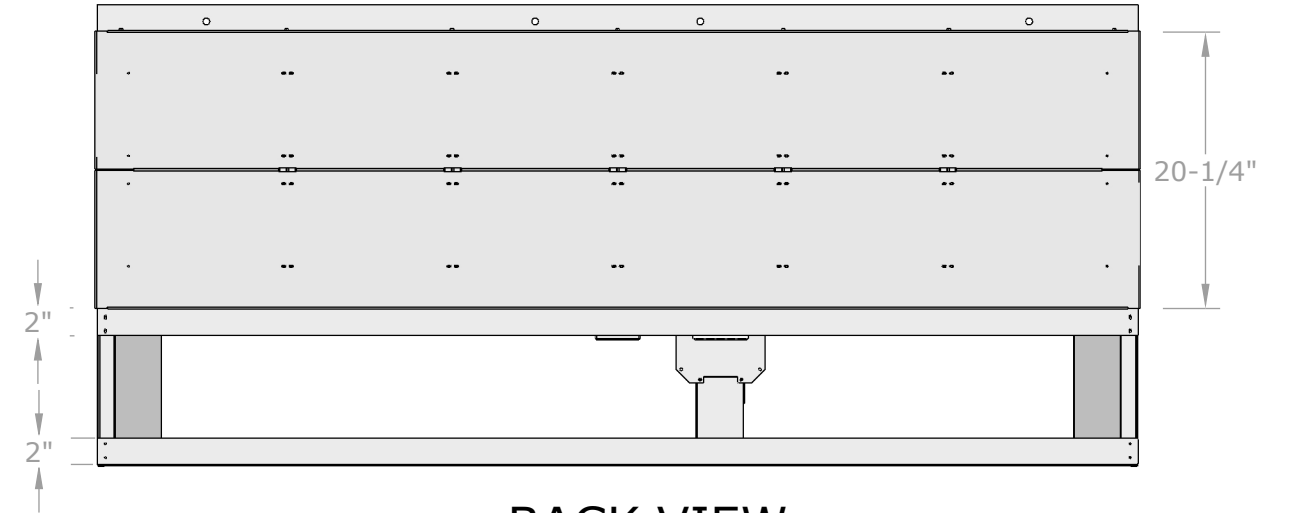


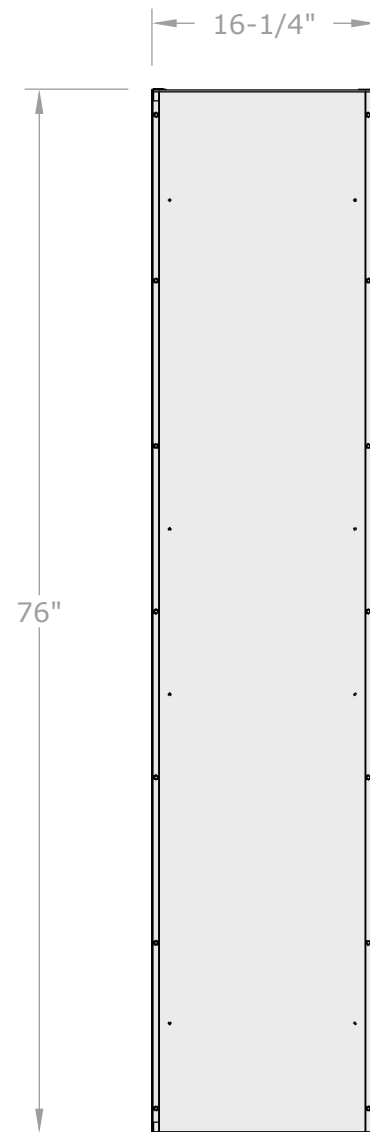
**VENT-FREE FIRE PLACE 72"**  
**SINGLE - SIDED**



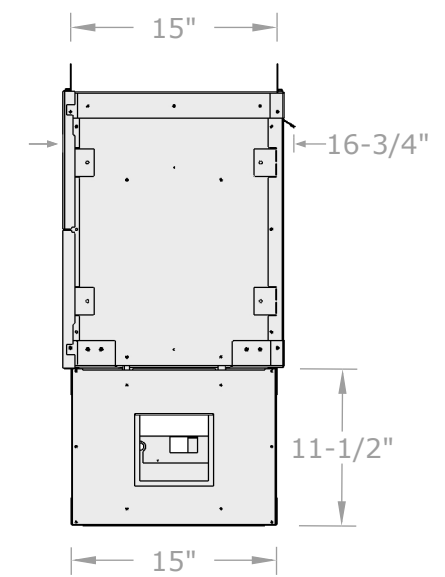
**FRONT VIEW**  
**SCALE 1:14**



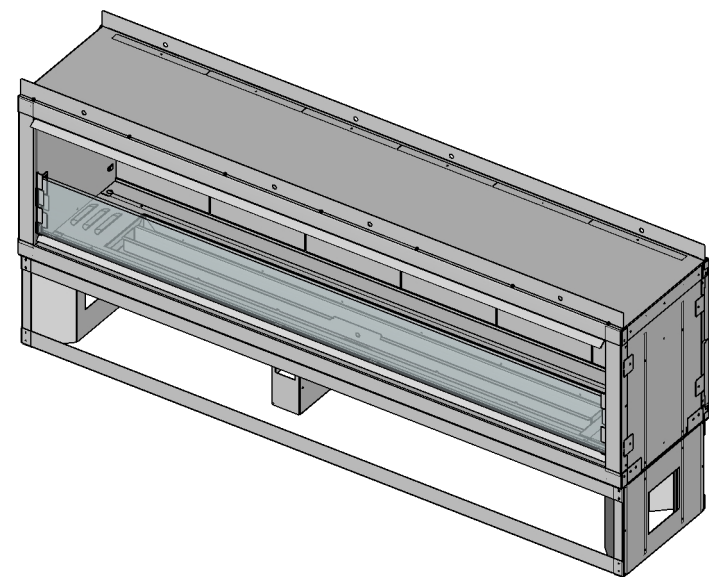
**BACK VIEW**  
**SCALE 1:14**



**TOP VIEW**  
**SCALE 1:14**



**BACK VIEW (LEFT)**  
**SCALE 1:14**



**ISOMETRIC / PERSPECTIVE**  
**VIEW SCALE 1:20**