

ORTAL®
OUTDOOR VENT FREE COLLECTION



Elevate your outdoor living space with ORTAL®'s Outdoor Vent Free Fireplaces. Designed for elegance and built for performance, our outdoor fireplaces create a stunning focal point that adds warmth and ambiance to any setting.

ABOUT ORTAL

For more than 30 years Ortal has been the leading innovator of fireplace technologies, manufacturing luxurious and contemporary, frameless fireplaces meeting the most stringent requirements of architects, designers, builders as well as home and business owners. Ortal has built a reputation on its uncompromising quality of materials, finish, safety standards, ease of installation and end-to-end services.





ELEVATE YOUR OUTDOOR EXPERIENCE

Personalize Your Look:

Choose from a variety of interior media options: Broken Glass, Reflective Glass, Lava Rock, and Log Sets to create a fireplace that reflects your unique style.

Find Style in Durability:

Designed for the outdoors, our vent-free collection combines a weather and corrosion resistant 304 stainless steel burner and firebox with a sleek enamel black coating, offering both durability and luxury ensuring lasting performance for years to come.

Fire With Feeling:

The open-concept design provides an unobstructed view of the flame, allowing you to fully experience its warmth. Each model also offers an optional cover for enhanced protection in high-wind and rainy conditions.

Frameless Design & Hassle-Free Installation:

The vent-free, frameless design allows you to focus on endless design possibilities without the hassle of venting challenges or overhang requirements, creating a simpler installation and framing process for faster enjoyment.

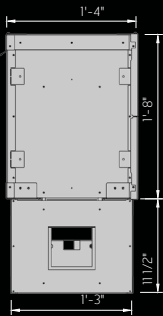
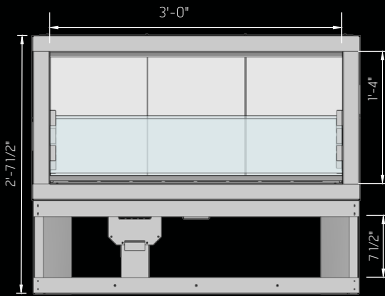
Advanced Control & Safety Features:

The Ecoflow Electronic Ignition System is housed in a 304 stainless steel control box for easy access and includes a built-in safety shutoff for flame loss and automatic re-light functionality for added safety.

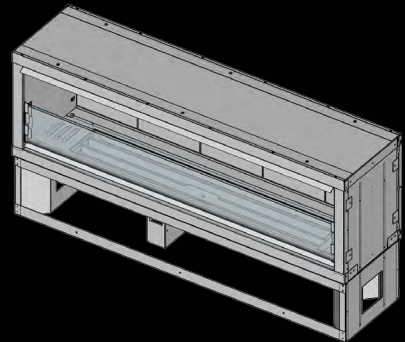
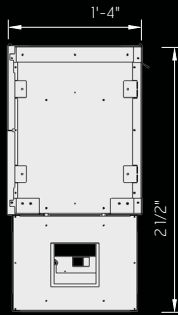
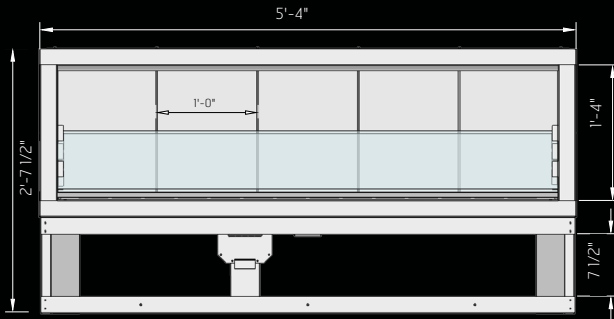
VIEWING AREA DIMENSIONS

Available in four sizes each model seamlessly converts to See-Through, Front Facing styles and feature an open-concept design.

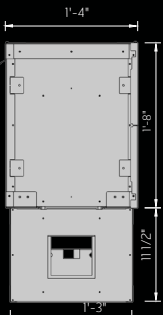
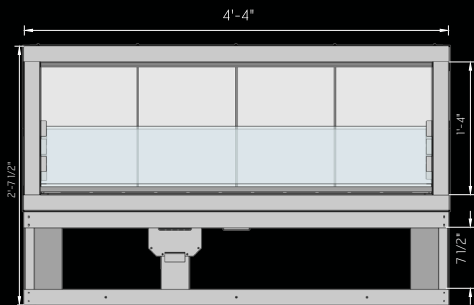
Vent Free Fireplace 36"



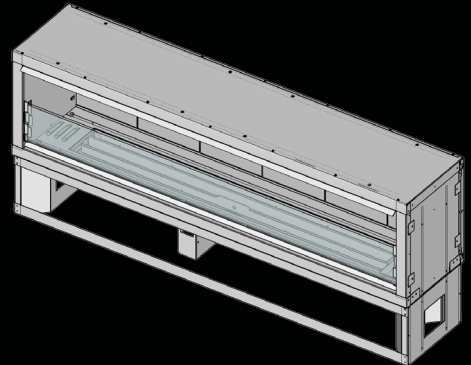
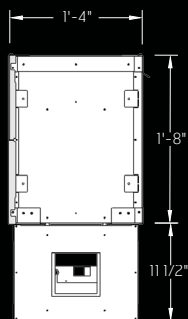
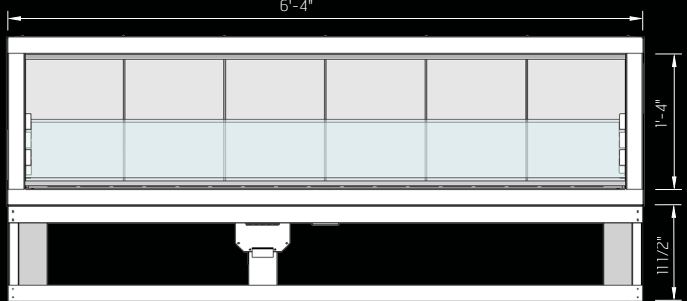
Vent Free Fireplace 60"



Vent Free Fireplace 48"



Vent Free Fireplace 72"



Ortal North America 2152 Citygate Drive, Columbus OH 43219

Tel: 1 (818) 238-7000 | info@ortalheat.com | www.ortalheat.com

Due to fuel type, altitude and venting configuration, the flame height may differ from shown

