

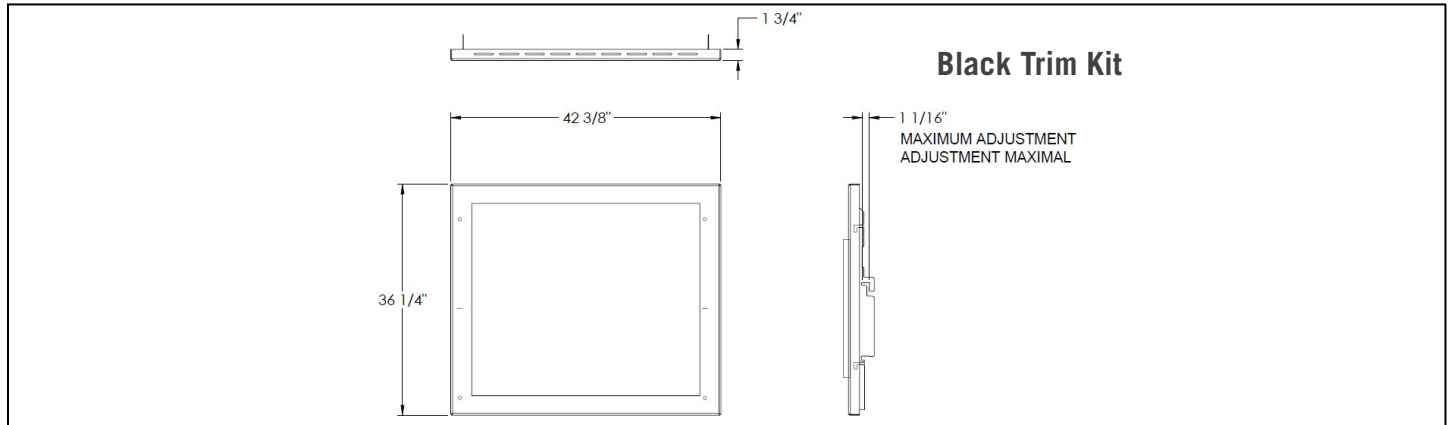
HIGH DEFINITION™ 81 DIRECT VENT GAS FIREPLACE



Specifications

Model	BTU (NG)	BTU (LP)	Width		Height		Depth		Glass
			Actual	Framing	Actual	Framing	Actual	Framing	
HD81-1	60,000	50,000	54 1/4"	54 1/2"	49 1/4"	49 1/2"	28 3/4"	27 3/4"	30 3/4" x 36 3/4"

Trims & Surrounds



Minimum Fireplace Clearances

Maintain these minimum clearances to combustibles from appliance and vent surfaces:

Appliance framing:

Use steel stud framing provided.

Non- Combustible Appliance finishing:

- Front - 7 5/8" (194mm) to sides of appliance opening
- 16 1/16" (40.8cm) to top of appliance opening

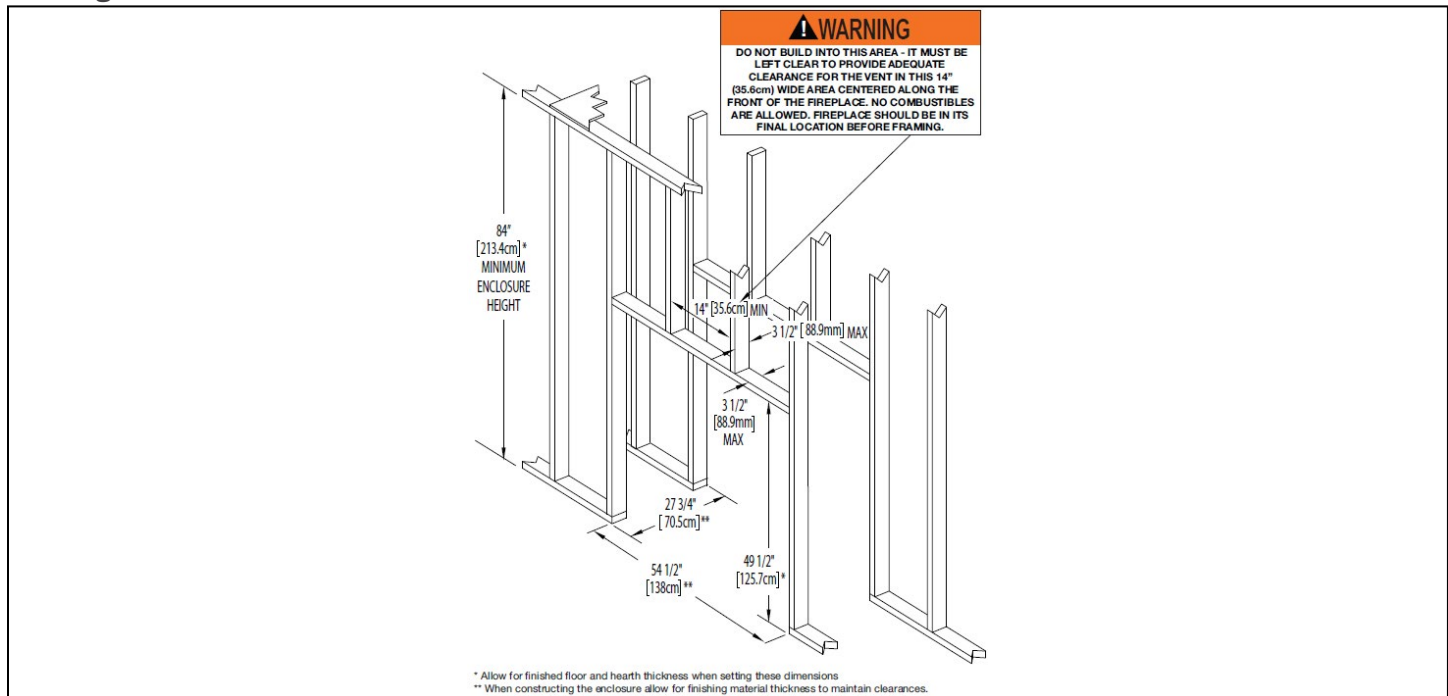
Combustible Appliance finishing:

- 84" (213cm) from bottom of appliance to enclosure top
- 2" (50.8mm) to top, sides, and bottom of vent pipe*

***HORIZONTAL VENT SECTIONS:** A minimum clearance of 2" (50.8mm) all around the vent pipe on all horizontal runs to combustibles is required except for clearances in appliance enclosures. Horizontal vent sections within the enclosure require a minimum clearance of 14" (35.6cm) from the top of the vent pipe, see "MINIMUM CLEARANCE TO COMBUSTIBLE ENCLOSURES" section. Use firestop spacer W010-3364 (supplied).

***VERTICAL VENT SECTIONS:** A minimum of 1" (25mm) all around the vent pipe on all vertical runs to combustibles is required except for clearances in appliance enclosures. Vertical vent sections within enclosures require a minimum clearance of 3" (76.2mm) around the vent pipe, see "MINIMUM CLEARANCES TO COMBUSTIBLE ENCLOSURES" section. Use firestop spacer W010-3364 (not supplied).

Framing Dimensions

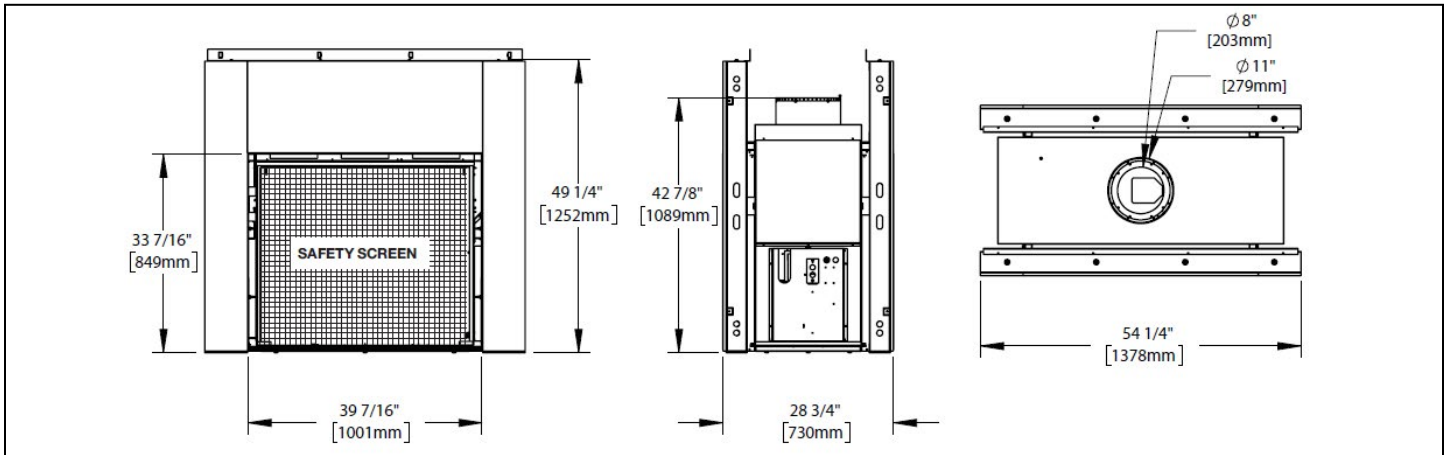


HIGH DEFINITION™ 81 DIRECT VENT GAS FIREPLACE

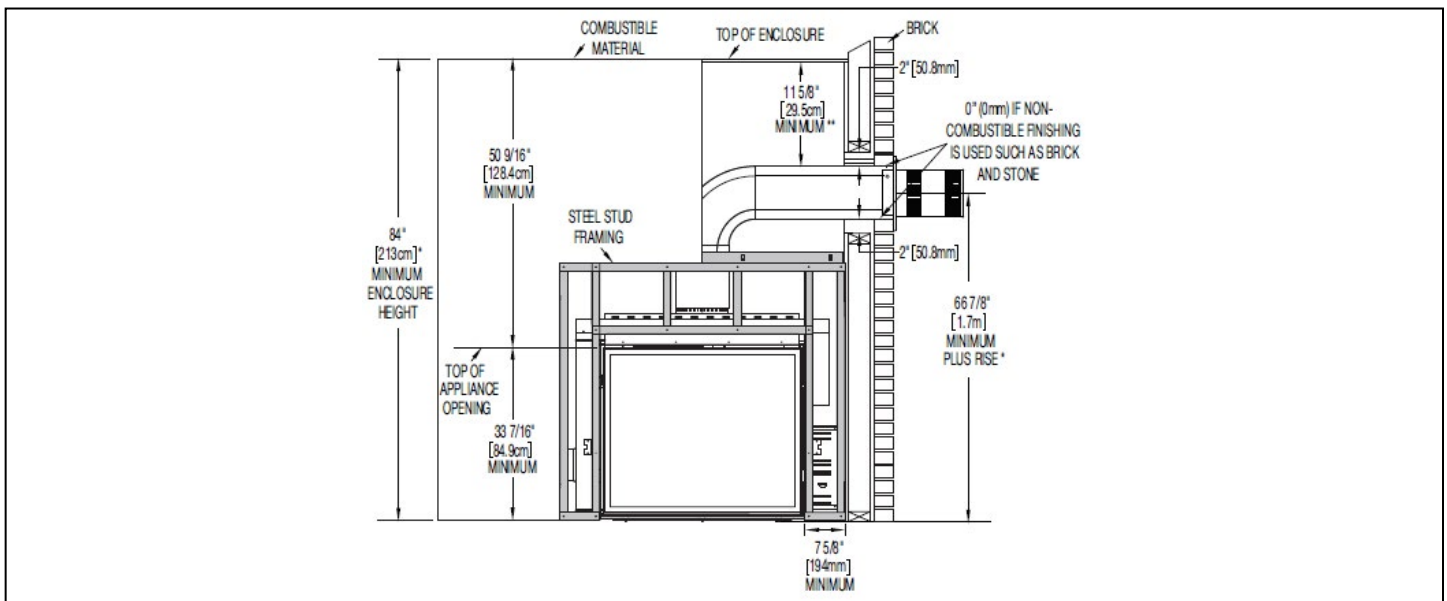


Product information provided is not complete and is subject to change without notice. Please consult the installation manual for the most up to date installation information.

Dimensions



Wall Penetration



Combustible Mantel Clearances

