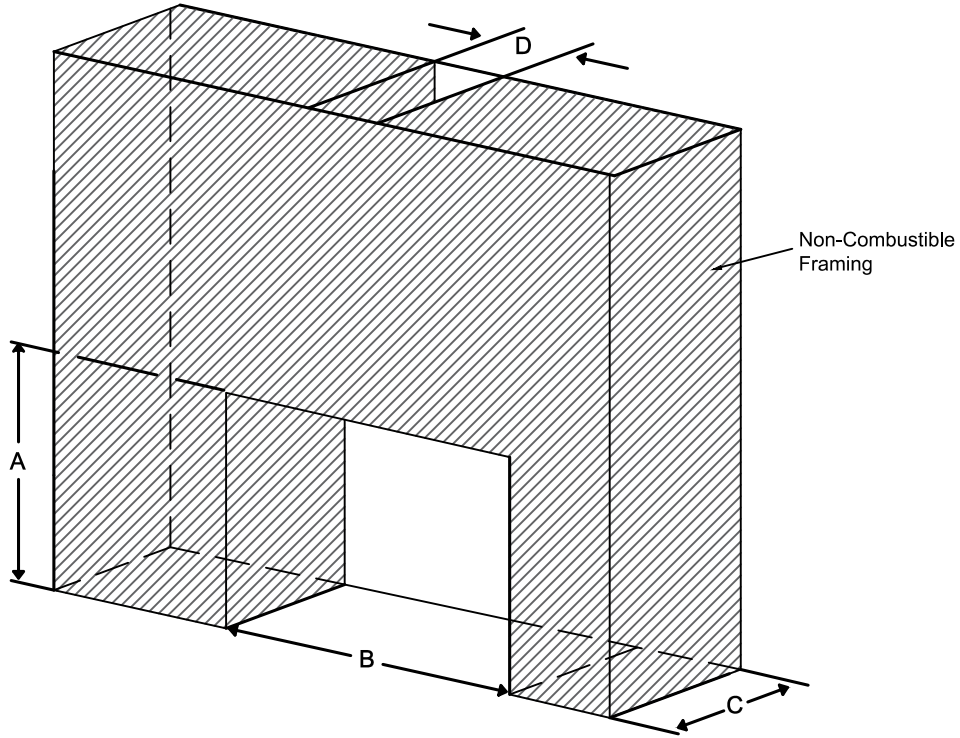


Framing Information: 60H FR OD (Screen)



Minimum Framing Dimensions



Model	A	B	C	D
60H Front	45 ⁷ / ₈ "	69 ³ / ₈ "	22 ¹ / ₄ "	Refer to Vent Manufacturer's Firestop Dimensions

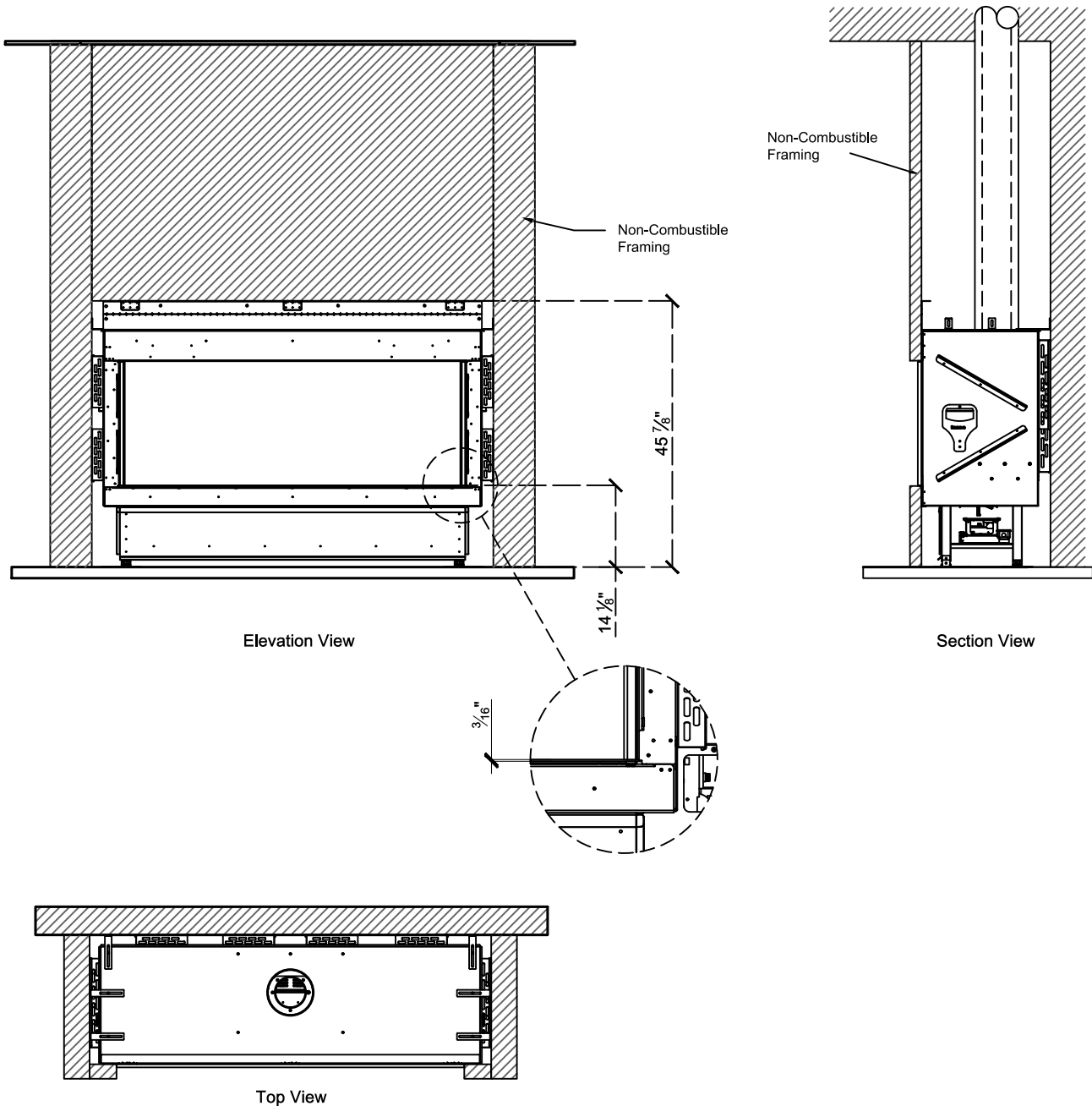
Note :

1. Drawings are not to Scale
2. All dimensions in inches
3. No weight can be transferred to the fireplace. **ALL FRAMING MUST BE SELF-SUPPORTED.**

Framing Information: 60H FR OD (Screen)



Framing Details

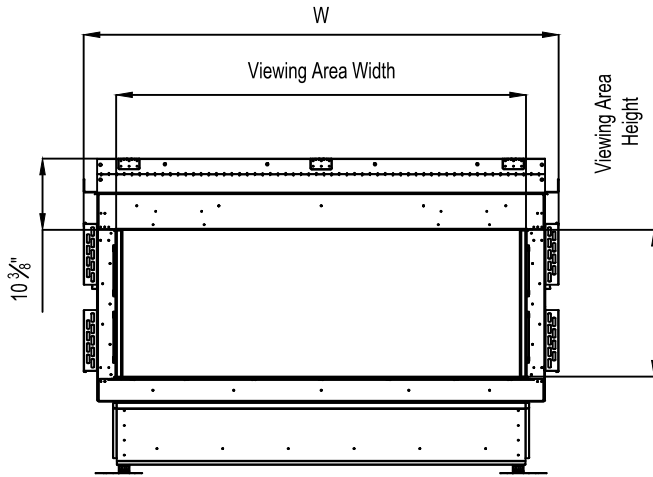


- Note :
1. Drawings are not to Scale
 2. All dimensions in inches
 3. No weight can be transferred to the fireplace. ALL FRAMING MUST BE SELF-SUPPORTED.

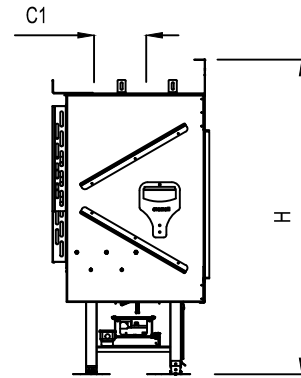
Framing Information: 60H FR OD (Screen)



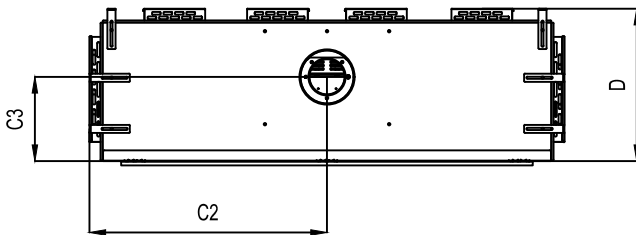
Fireplace Dimensions



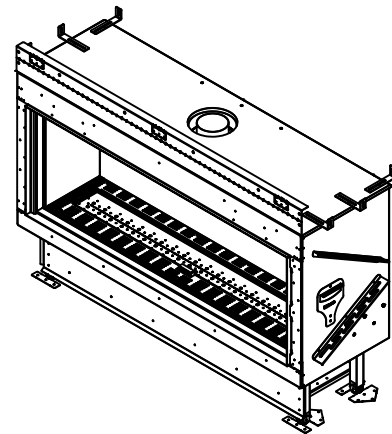
Front View



Side View



Top View



Model	(H) Height	(W) Width	(D) Depth	C1	C2	C3	Viewing Area	
							Front	Side
60H Front	45 7/8"	69 3/8"	22 1/4"	7 7/8"	34 3/4"	12 3/8"	60 1/8" W X 21 5/8" H	—

Note : 1. Drawings are not to Scale
 2. All dimensions in inches