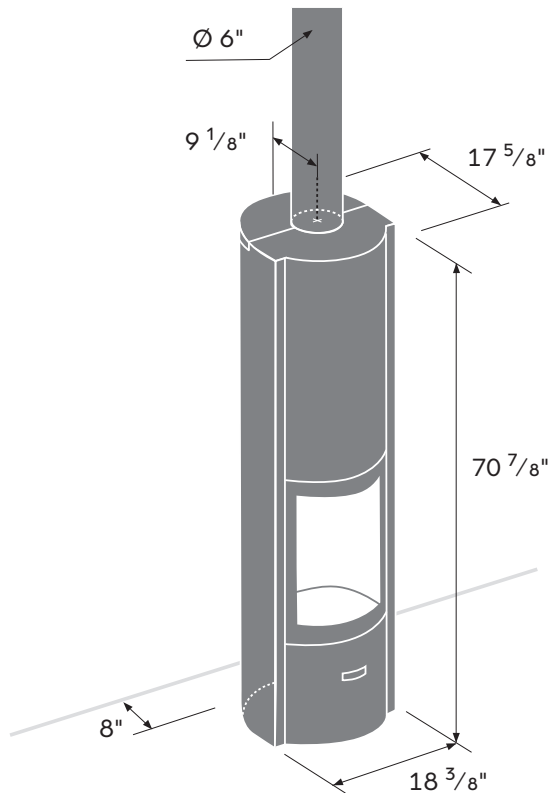


Stûv 30-compact H

Technical sheet



ADVANTAGES

- 3 operation modes
 - 360° rotation
 -
- Ash pan integrated into the base of the unit
 -
- Easy to light
 -
- Generates little ash
 -
- Can be connected to outside air
 -
- Low fine particle emission rate
 -
- Suitable for all types of interiors
 -
- Priority of the view of the fire
 -
- Energy saving
 -
- No more firewood recutting
 -
- Easy to clean

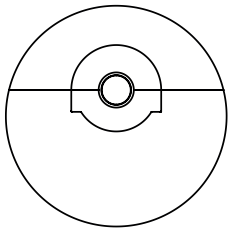
*For additional information on powers, please see: <https://stuvamerica.com/en/inspirations/tips-and-techniques/power-btu/>
 Dimensions for information only. See the installation manuals for details.

Size 30-compact H

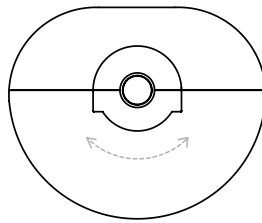
Max. vertical log lenght	16"
Max. horizontal log lenght	10"
Efficiency	73,9%
Maximum power*	47 000 BTU/h
EPA Power*	17 049 BTU/h
Nominal heat output*	33 000 BTU/h
Heating surface area	900 ft ²
Firebox size	1.1 ft ³
Fine particle emissions	1.82 g/h
Door	standard 3 doors
Revolving base 360°	standard 360°
Outside air duct	ø 4"
Weight	340 lb (+330 lb)

FLOOR PLATE

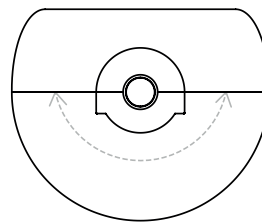
POSSIBILITY OF 4 OPTIONS



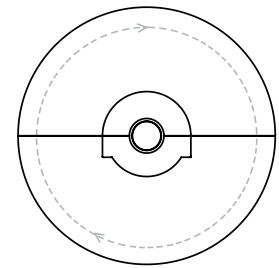
0°
 ROTATION



90°
 ROTATION



180°
 ROTATION



360°
 ROTATION

Stûv 30-compact H

Rotation	0°	90°	180°	360°
Format	Ø45"	Ø43 ¹³ / ₁₆ " x 53 ¹ / ₈ "	Ø43 ¹³ / ₁₆ " x 53 ¹ / ₄ "	ø 53 ¹ / ₄ "

Note: The floor plates have a thickness of 14 GA.

AVAILABLE COLOR



StûvGrey