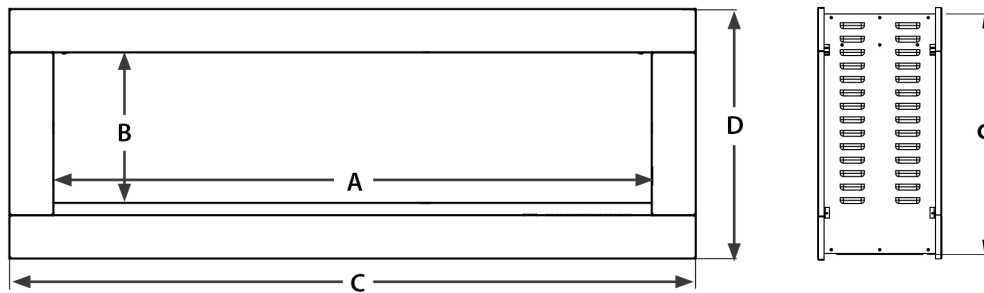




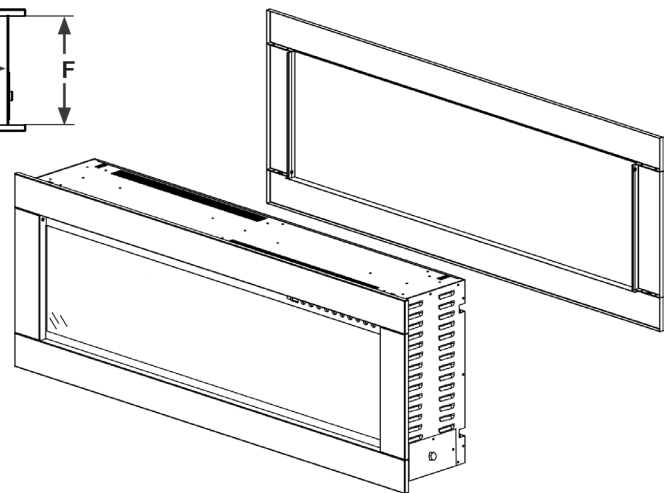
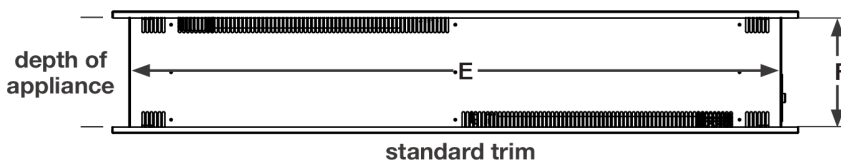
OPTIC
11/25/24

SUSTAINABLE HEARTH™
STYLE MEETS SUSTAINABILITY

FRONT VIEW



TOP VIEW



	A	B	C	D	E	F	G
INCH	43 5/8"	12"	50"	18 3/8"	47 9/16"	8 1/16"	17 5/8"
[MILOMETER]	[1108]	[305]	[1270]	[467]	[1208]	[205]	[448]

	Net Weight	Gross Weight
POUNDS	98.1	115.4
[KILOGRAMS]	[44.5]	[52.3]

Description	See-Through Electric Appliance
Type	Electric Appliance
Voltage	120V AC
Watts	MAX 1500W
Amps	Dedicated 15 Amp Grounded Circuit

This appliance has been tested in accordance with the UL/CSA Standards for fixed and location dedicated electric room appliances in the United States and Canada, If you need assistance during installation, please contact your local dealer.