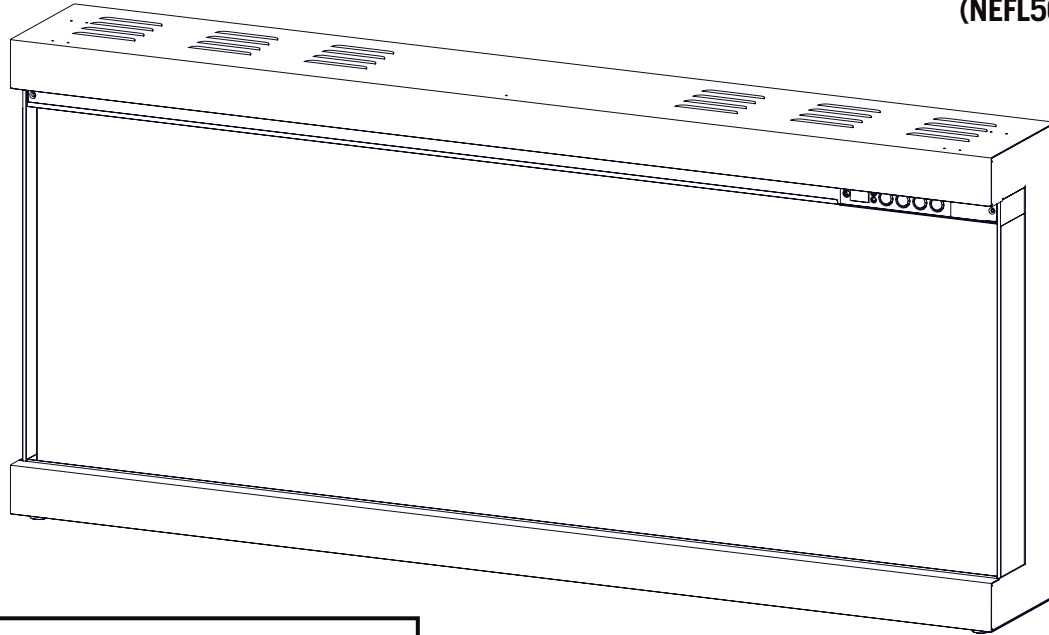




INSTALLATION AND OPERATION MANUAL

Astound FlexMount Series (NEFL50AB Illustrated)



SAFETY INFORMATION

⚠ WARNING

FIRE OR EXPLOSION HAZARD

If the information in these instructions are not followed exactly, a fire or explosion may result causing property damage, personal injury, or loss of life.

- * Do not store or use gasoline or other flammable vapors and liquids in the vicinity of this or any other appliance.

INSTALLER:

Leave this manual with the appliance.

CONSUMER:

Retain this manual for future reference.

FOR INDOOR USE ONLY

**CERTIFIED TO THE CANADIAN AND AMERICAN NATIONAL STANDARDS:
CSA 22.2 NO. 46 / UL 2021**



Wolf Steel Ltd., 24 Napoleon Rd., Barrie, ON, L4M 0G8 Canada / 103 Miller Drive, Crittenden, Kentucky, USA, 41030
Phone 1 (866) 820-8686 • www.napoleon.com • hearth@napoleon.com

! WARNING

- **If equipped with a heater, this appliance can be hot when operated and can cause severe burns if contacted.**
- Do not operate appliance before reading and understanding operating instructions. Failure to operate appliance according to operating instructions could cause fire or injury.
- Do not install damaged, incomplete or substitute components.
- Do not burn wood or other materials in this appliance.
- All electric appliances have hot and arcing or sparking parts inside. Do not use it in areas where a gas line, paint or flammable liquids are present.
- Any safety screen or guard removed for servicing must be replaced prior to operating the appliance.
- It is imperative that the control compartments, circulating blower and its passageway in the appliance are kept clean. The appliance should be inspected before use and at least annually by a qualified service person. More frequent cleaning may be required due to excessive lint from carpeting, bedding material, etc. The appliance area must be kept clear and free from combustible materials, gasoline and other flammable vapors and liquids.
- Under no circumstances should this appliance be modified.
- Do not use this appliance if any part has been under water. Immediately call a qualified service technician to inspect the appliance and to replace any part of the control system which has been under water.
- If equipped with a glass door, do not operate the appliance with the glass door removed, cracked or broken. Replacement of the glass should be done by a licensed or qualified service person. Do not strike or slam shut the appliance glass door.
- Keep the packaging material out of reach of children and dispose of the material in a safe manner. As with all plastic bags, these are not toys and should be kept away from children and infants.
- Servicing should be done only while the appliance is disconnected from the power supply circuit.
- Always unplug appliance when not in use.
- Do not operate this appliance with a damaged cord or plug after the appliance malfunctions, has been dropped or damaged in any manner. Return appliance to authorized service facility for examination, electrical or mechanical adjustment, or repair.
- Do not use outdoors.
- When installing this appliance in a room where water is present, the installation must comply with codes recognizing the increased hazard of electrical shock and electrocution.


note:

This appliance is NOT suitable for installation in a bathroom.

- Do not run cord under carpeting. Do not cover cord with throw rugs, runners, or the like. Arrange cord away from traffic area and where it will not be tripped over.
- Connect to properly grounded outlets only.
- Do not insert or allow foreign objects to enter any ventilation or exhaust opening as this may cause an electric shock or fire, or damage the appliance.
- It is normal for your electric appliance to produce noise, especially when installed in a quiet space such as a bedroom.

WARNING

- To prevent a possible fire, do not block air intakes or exhaust in any manner. Do not use on soft surfaces, like a carpet, where openings may become blocked.
 - Always plug appliances directly into a wall outlet/receptacle. Never use an extension cord or relocate cable power tap (outlet/power strip).
 - These appliances are tested and listed for use only with the optional accessories listed in these instructions. Use of optional accessories not specifically tested for this appliance could void the warranty and/or result in a safety hazard.
- For appliances equipped with a heater:**
- Risk of burns. Power to the appliance should be turned off and the appliance allowed to cool before servicing. To disconnect power to the appliance, turn controls to off, then remove plug from outlet.
 - Young children should be carefully supervised when they are in the same room as the appliance. Toddlers, young children and others may be susceptible to accidental contact burns. A physical barrier is recommended if there are at risk individuals in the house. To restrict access to an appliance or stove, install an adjustable safety gate to keep toddlers, young children and other at risk individuals out of the room and away from hot surfaces.
 - Clothing or other flammable material should not be placed on or near the appliance.
 - Due to high temperatures, the appliance should be located out of traffic and away from furniture and draperies.
 - Ensure you have incorporated adequate safety measure to protect infants/toddlers from touching hot surfaces.
 - Even after the appliance is off, the glass and/or screen will remain hot for an extended period of time.
 - Check with your local hearth specialty dealer for safety screens and hearth guards to protect children from hot surfaces. These screens and guards must be fastened to the floor.
 - Ensure clearances to combustibles are maintained when building a mantel or shelves above the appliance. Elevated temperatures on the wall or in the air above the appliance can cause melting, discolouration or damage to decorations, a TV or other electronic components.

 **WARNING:** This product can expose you to chemicals including lead and lead compounds, which are known to the State of California to cause cancer, and chemicals including BBP and DEHP, which are known to the State of California to cause birth defects or other reproductive harm. For more information, go to www.P65Warnings.ca.gov

This device complies with Part 15 of the FCC Rules. Operation is subject to the following two conditions: 1) The device may not cause harmful interference; and 2) the device must accept any interference received, including interference that may cause undesired operation. Changes or modifications not expressly approved by the party responsible for compliance could void the user's authority to operate the equipment.

NOTE: This equipment has been tested and found to comply with the limits for a Class B digital device, pursuant to Part 15 of the FCC Rules. These limits are designed to provide reasonable protection against harmful interference in a residential installation. This equipment generates, uses, and can radiate radio frequency energy and, if not installed and used in accordance with the instructions, may cause harmful interference to radio communications. However, there is no guarantee that interference will not occur in a particular installation.

If this equipment does cause harmful interference to radio or television reception which can be determined by turning the

equipment off and on, the user is encouraged to try to correct the interference by one or more of the following measures:

- Reorient or relocate the receiving antenna.
- Increase the separation between the equipment and receiver
- Connect the equipment into an outlet on a circuit different from that to which the receiver is connected.
- Consult the dealer or an experienced radio/TV technician for help.

NOTE: This device and its antenna(s) must not be co-located or operation in conjunction with any other antenna or transmitter.

1.0 general information	6
1.1 dimensions	6
1.2 listing approvals	7
1.3 general instructions	7
1.4 unpacking and testing the appliance	8
1.5 hardware list	9
1.6 rating plate information	9
1.7 label location	10
2.0 installation	11
2.1 overview	11
2.2 minimum mantel clearances	14
2.3 wall mount installation	15
2.4 partial recessed installation	18
2.4.1 rough framing	18
2.4.2 unit preparation	19
2.5 built in application	20
2.5.1 trim / panel installation	20
2.5.2 rough framing	22
2.5.3 recessed installation	23
3.0 electrical information	24
3.1 120 V hard-wiring installation.	25
3.2 240 V hard-wiring	26
3.3 optional wall-mount controller installation	26
4.0 finishing	27
4.1 finishing materials	27
4.2 media installation	28
4.2.1 beach fire logs and woodland media kit	28
4.3 front glass installation and removal	29
5.0 wiring diagram	30
5.1 NEFL50AB wiring diagram	30
5.2 NEFL62AB wiring diagram	31
5.3 NEFL74AB wiring diagram	32
6.0 operation	33
6.1 operating control panel	33
6.2 operating remote control	34
6.3 operating optional wall mount controller	37
7.0 napoleon connectivity	38

7.1	adding device	39
7.2	using the app	41
7.2.1	power setting	41
7.2.2	heat setting	41
7.2.3	ember bed setting	42
7.2.4	flame setting	42
7.2.5	accessory lights settings	43
7.2.6	timer settings	43
8.0	maintenance	44
8.1	cleaning	44
8.2	heater lockout switch	44
9.0	replacement parts	45
9.1	NEFL50/62/74AB	46
10.0	troubleshooting	48
11.0	warranty	50

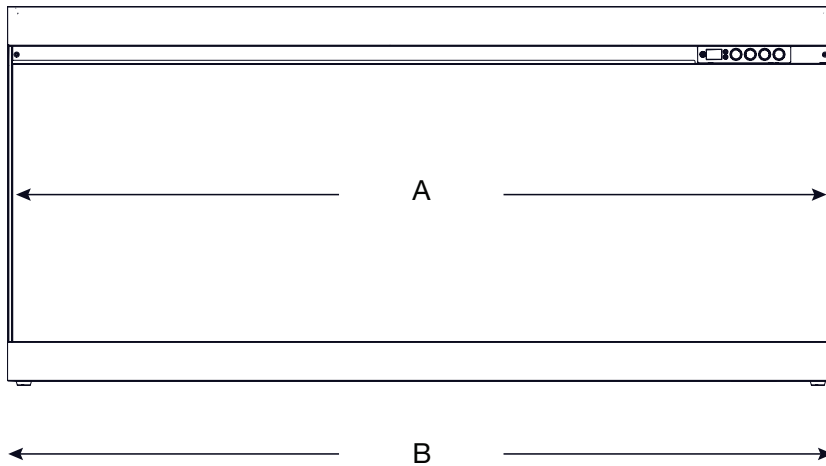
note:

The information throughout this manual is believed to be correct at the time of printing. Wolf Steel Ltd. reserves the right to change or modify any information within this manual at any time without notice. Changes, other than editorial, are denoted by a vertical line in the margin.

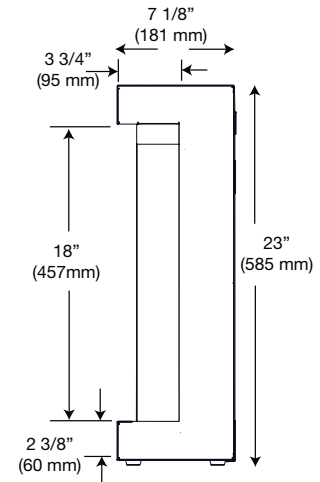
1.0 general information

1.1 dimensions

front view



side view



top view



Dimensions		
Model No.	A (inside width)	B (outside width)
NEFL50AB	49 11/16"	50"
	1262 mm	1270 mm
NEFL62AB	61 11/16"	62"
	1567 mm	1575 mm
NEFL74AB	73 11/16"	74"
	1872 mm	1880 mm

1.2 listing approvals

Model No.	Net Weight	Gross Weight
NEFBL50AB	74.5 lbs (33.8 kg)	117.9 lbs (53.5 kg)
NEFL62AB	88.2 lbs (40 kg)	137.8 lbs (62.5 kg)
NEFL74AB	103 lbs (46.7 kg)	160 lbs (72.6 kg)

Description	Electric Appliance
Type	Wall mounted Electric fireplace
Voltage	120 V AC / 240 V AC *
Watts	MAX 1500 W / 3000 W *
Amps	Dedicated 15 AMP Grounded Circuit

This appliance has been tested in accordance with the CSA Standards for fixed and location-dedicated electric room appliances in the United States and Canada.

If you need assistance during installation, please contact your local dealer.

note:

This appliance must be electrically wired and grounded in accordance with local codes or, in the absence of local codes, with the latest edition of the National Electrical Code ANSI/NFPA 70 in the United States or the Canadian Electrical Code, CSA C22.1 in Canada.

1.3 general instructions

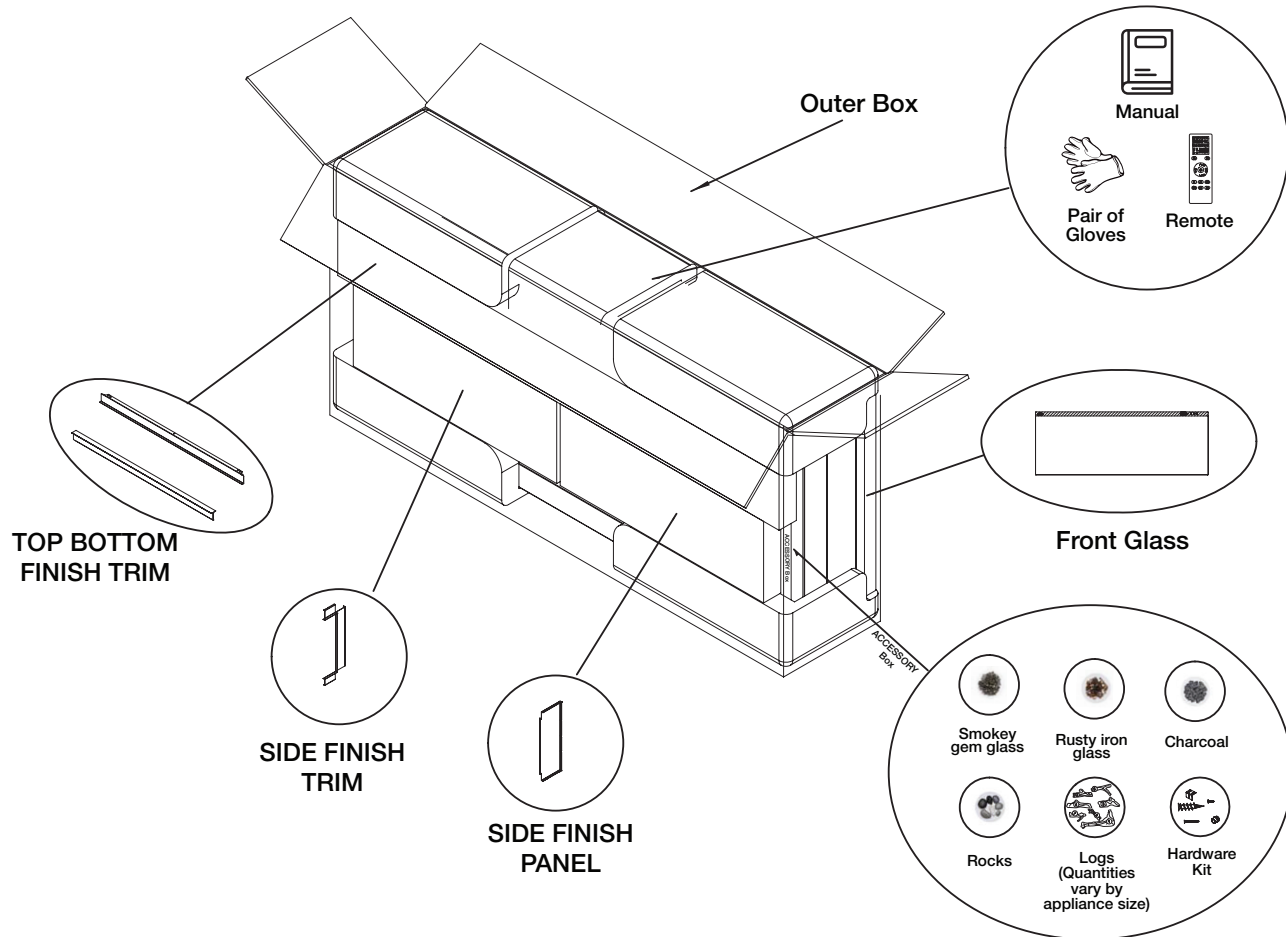
- Prior to plugging your appliance into an electrical outlet, verify that the house circuit breakers for the outlet are on.
- The appliance may emit a slight, harmless odour when first used. This odour is normal and it is caused by the initial heating of internal appliance elements and will not occur again.
- If your appliance does not emit heat when called for, consult the “operation” section of this manual for further information.

This electric appliance meets the construction and safety standards of H.U.D. for application in manufactured homes when installed according to these instructions.

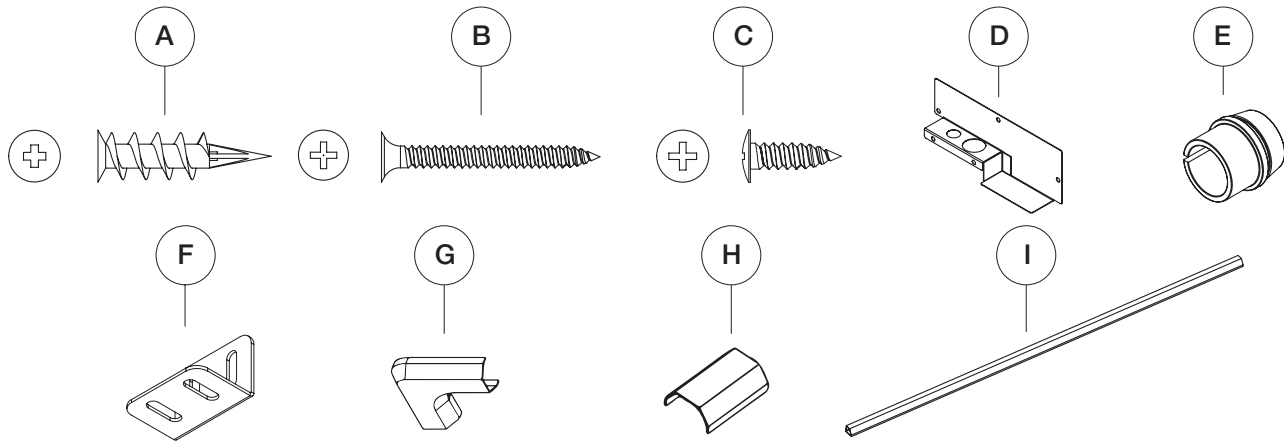
As with most electronic devices, your new electric appliance has been designed to operate at temperatures between 5°C (41°F) and 35°C (95°F). During the colder winter months, allow the appliance to reach room temperature before turning it on.

1.4 unpacking and testing the appliance

Ensure to unpack this appliance with 2 people. Reference the hardware list (see “hardware list” section) to prepare for installation.



1.5 hardware list



Hardware List				
Item	Description	Quantity		
		NEFL50AB	NEFL62AB	NEFL74AB
A	45 mm Drywall anchors	7		
B	#6 35 mm Wood Screws	7		
C	ST4-12 Metal screws	18	18	24
D	Junction box cover plate	1		
E	Strain relief	1		
F	Bracket	5	5	7
G	Cord Corner	2		
H	Cord Cover Connector	2		
I	Cord Cover	2		

1.6 rating plate information

The below illustration is for reference only. Refer to the appliance rating plate for accurate information.

CERTIFIED UNDER CANADIAN AND AMERICAN NATIONAL STANDARD: CSA 22.2 NO. 46 AND UL 2021 / HOMOLOGUÉ SELON LES NORMES NATIONALES CANADIENNES ET AMÉRICAINES: CSA 22.2 NO. 46 UL 2021

ELECTRIC FIREPLACE. SUITABLE FOR BEDROOM AND BED-SITTING ROOM INSTALLATION. SUITABLE FOR MOBILE HOME INSTALLATION.

FOYER ÉLECTRIQUE. HOMOLOGUÉ POUR INSTALLATION DANS UNE CHAMBRE À COUCHER, UNE SALLE DE BAIN ET UN STUDIO. APPROPRIÉ POUR INSTALLATION DANS UNE MAISON MOBILE.

MASTER CONTRACT: 161746

CONTRAT-CADRE: 161746

NEFL50AB CEFL50AB
 NEFL62AB CEFL62AB
 NEFL74AB CEFL74AB

MODEL / MODÈLE

VOLTAGE: 120/240VAC TENSION: 120/240VAC
 FREQUENCY: 60Hz FRÉQUENCE: 60Hz
 POWER 1500/3000W PUISSANCE: 1500/3000W
 DATE CODE: XXXXX CODE DE DATE: XXXXX

DESIGNED IN NORTH AMERICA DÉSIGNÉ EN AMÉRIQUE DE
 BY WOLF STEEL LTD. NORD PAR WOLF STEEL LTD.
 MADE IN CHINA FABRIQUÉ EN CHINE

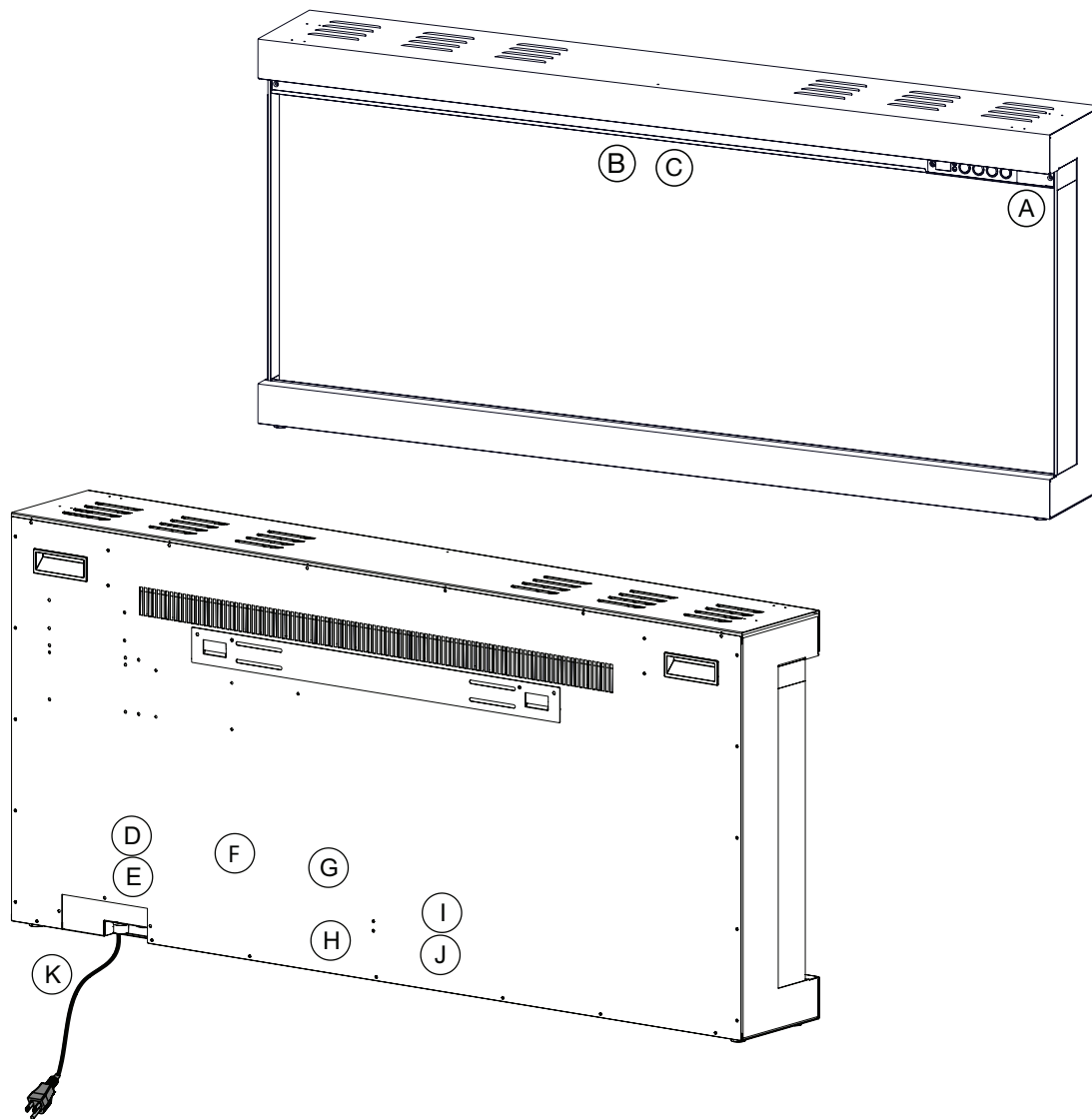
WOLF STEEL LTD.
 24 NAPOLEON ROAD,
 BARRIE, ON, L4M 0G8 CANADA

SERIAL NUMBER/NO. DE SÉRIE: NEFLXXAB W385-4601

note:

The rating plate must remain with the appliance at all times. It must not be removed.

1.7 label location



Labels List

A	Model, serial number, and Wi-Fi DSN	G	Wiring Diagram
B	Do Not Cover Label	H	Warning Label
C	Hot Surface Label	I	Rating Plate
D	120 V Hard-wire	J	Caution Label
E	240 V Hard-wire	K	Cord Label
F	FCC Label		

2.0 installation

2.1 overview

WARNING

- Risk of fire! The power cord must not be pinched against a sharp edge. Secure cord to avoid tripping or snagging to reduce the risk of fire, electric shock, or personal injury. Do not run cord under carpeting. Do not cover cord with throw rugs, runners, or similar items. Arrange the cord away from traffic areas to prevent tripping.
- Risk of fire! To prevent a possible fire, do not block air intake or exhaust in any manner. Do not use on soft surfaces where openings may become blocked.
- Risk of fire! Do not blow or place insulation against the appliance.
- This electric appliance is tested and listed for use only with the approved optional accessories. Use of optional accessories not specifically tested for this electric appliance could void the warranty and/or result in a safety hazard.
- Failure to follow these instructions exactly may result in a fire or explosion, causing property damage, personal injury, or death. Do not store or use gasoline or other flammable vapors near this or any other appliance.
- This appliance is heavy. It is highly recommended that two people install it for safety.
- If your appliance is equipped with a heater, ensure that the heater vents cannot be covered in any way, as this may create a fire hazard.

This appliance is designed as a Wall Mounted appliance that can also be recessed into an enclosure. Select a suitable location that is not susceptible to moisture and

note:

Follow all national and local electrical codes.

is away from drapes, furniture and high traffic areas. Due to the many different materials used on different walls, it is highly recommended that you consult your local builder before you install this appliance.

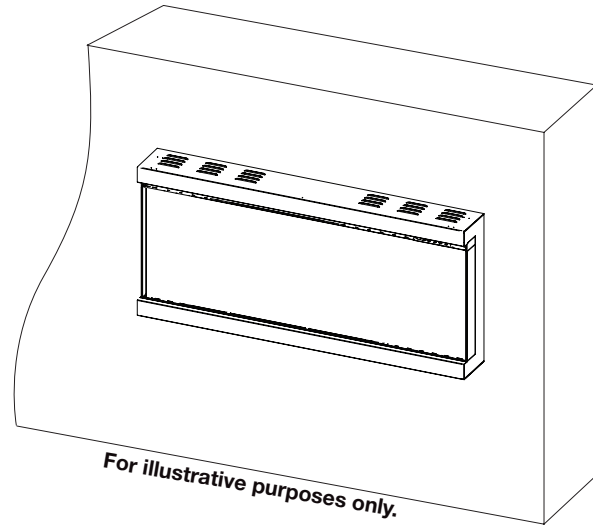
This appliance Can be installed in multiple applications. This appliance can be hung on the wall, partially in the

wall, fully in the wall (single sided) at the end of a wall (2 Sided) or in a bay “bump out” enclosure (3 Sided).

1. Select a location that is not prone to moisture and is located at least 36” (91.4 cm) away from combustible materials such as curtain drapes, furniture, bedding, paper, etc.
2. The installation consists of 6 major steps, rough framing, unit installation, hard-wiring, finishing material, fireplace log media, then glass and trim installation. Each step must be completed before advancing to the next stage to achieve a seamless installation and to avoid damaging the product or enclosure.

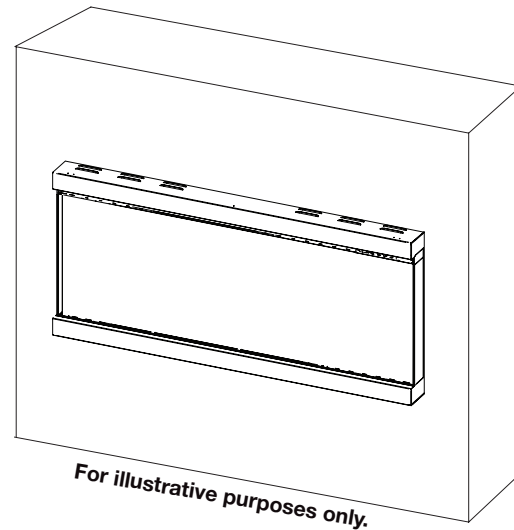
Wall Mounted Installation

- Appliance is mounted on the wall with a bracket.
- Front, left, and right sides views.
- Plugged into a 120V electrical source.



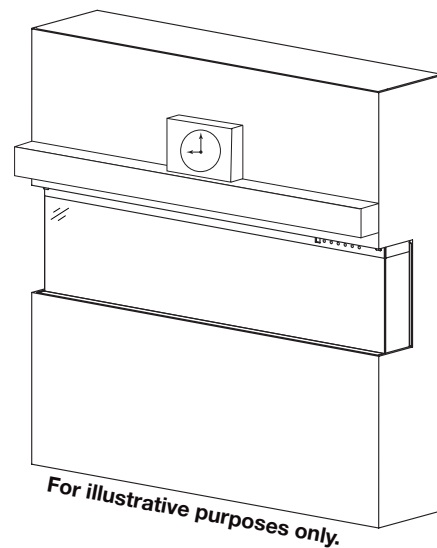
Partial Recess Installation

- Appliance is mounted into a narrow depth wall.
- Appliance will protrude outward.
- Can be hard-wired to either 120 V or 240 V.
- Front, left, and right side views.



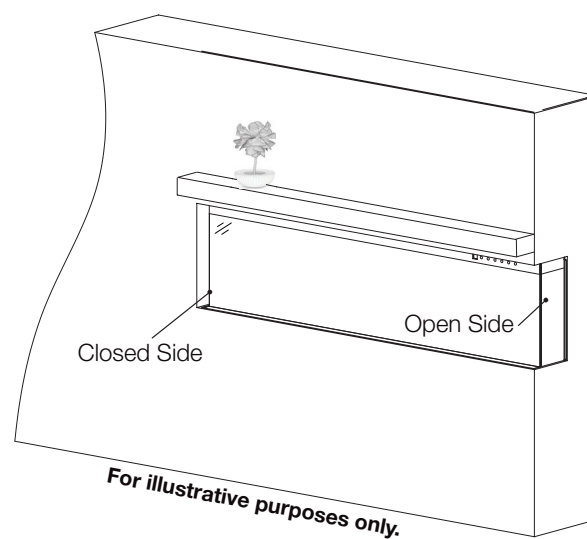
Three-Sided Viewing Installation

- Appliance is fully recessed into the wall with both sides open.
- Front, left, and right side views.



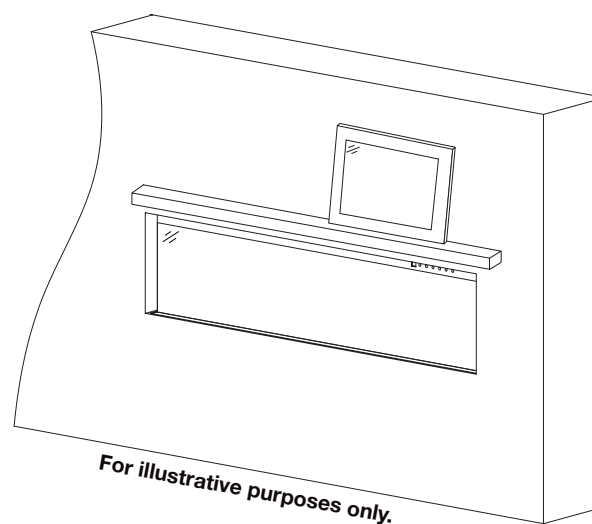
Two-Sided Viewing Installation

- Appliance is fully recessed into the wall with one side open.
- Front view and left/right side view, depending on desired open/closed sides.



Single-Sided Viewing Installation

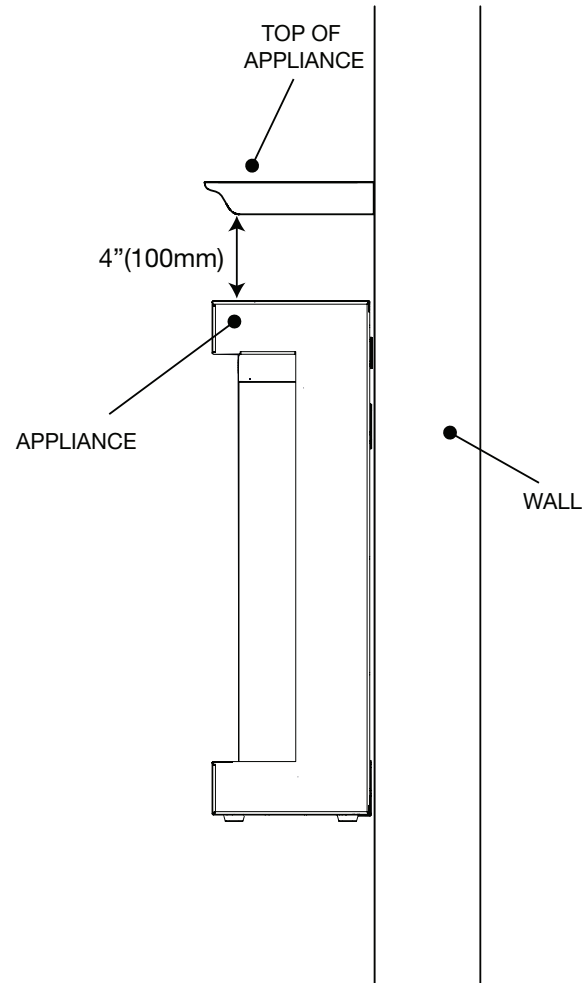
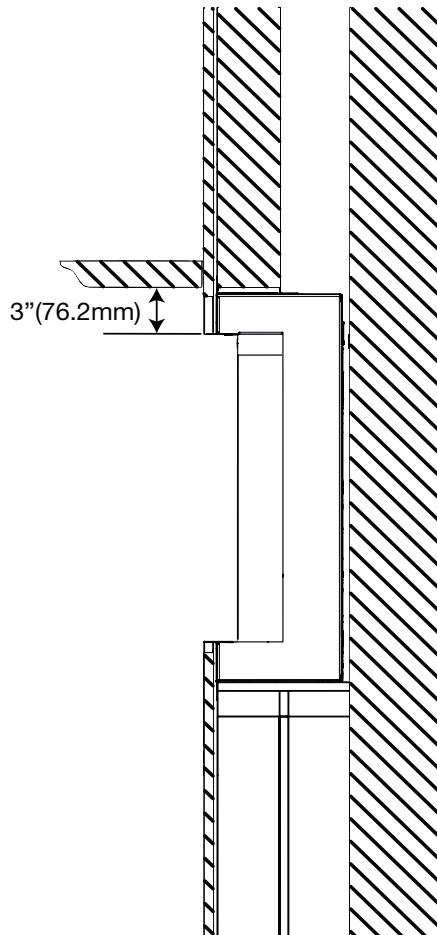
- Appliance is fully recessed into the wall.
- Front view **only**.
- Left and right side views are covered.



2.2 minimum mantel clearances

! WARNING

- When using paint or lacquer to finish the mantel, the paint or lacquer must be heat resistant to prevent discolouration.



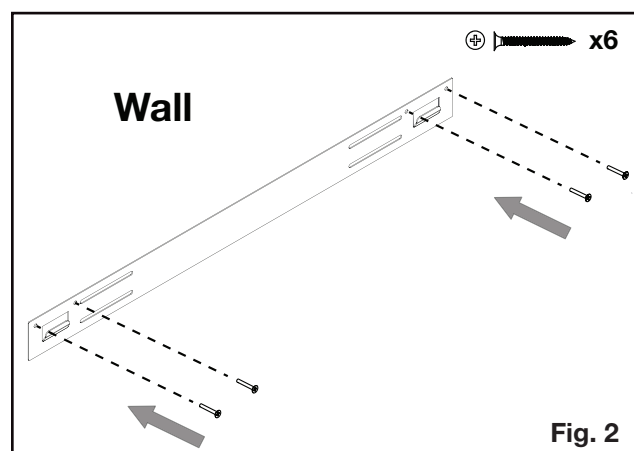
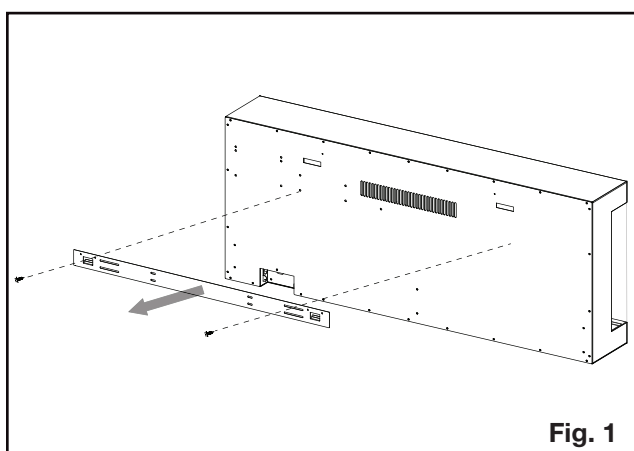
2.3 wall mount installation

Due to the many different materials used on different walls, it is highly recommended that you consult your local builder before installing this appliance on the wall.

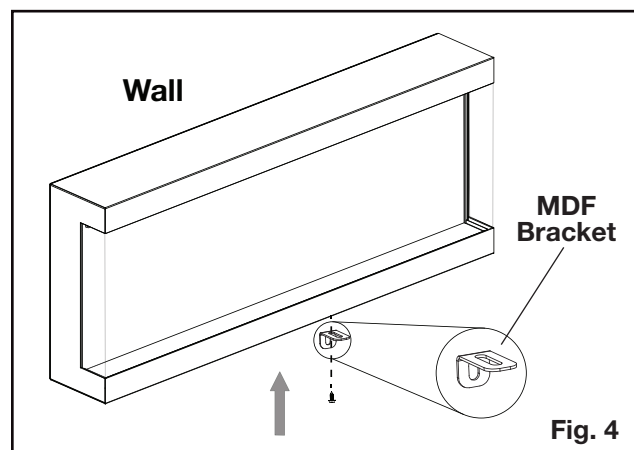
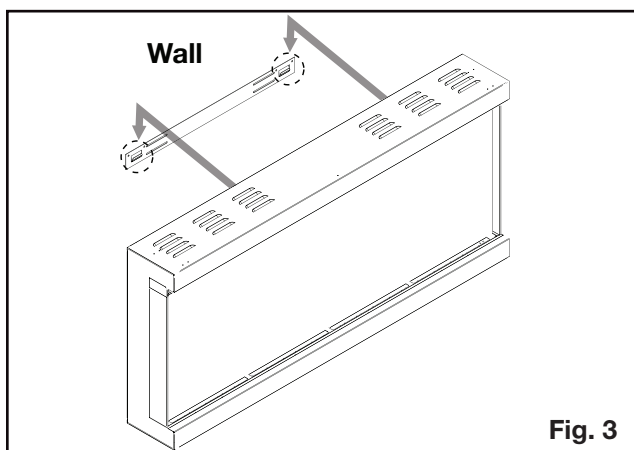
1. Select a location that is not prone to moisture and is located at least 36" (91.4 cm) away from combustible materials, such as curtains, drapes, furniture, bedding, paper, etc.
2. Have two people hold the appliance against the wall to determine its final location.
3. Place the appliance face down on a soft, non-abrasive surface. Remove the bracket from the back of the appliance by removing the screws (Fig. 1). Set the bracket aside and discard the screws
4. Mark out the location, then mount the bracket onto the wall using screws (supplied). This bracket MUST have the hooks facing upward and it MUST be level (Fig. 2).

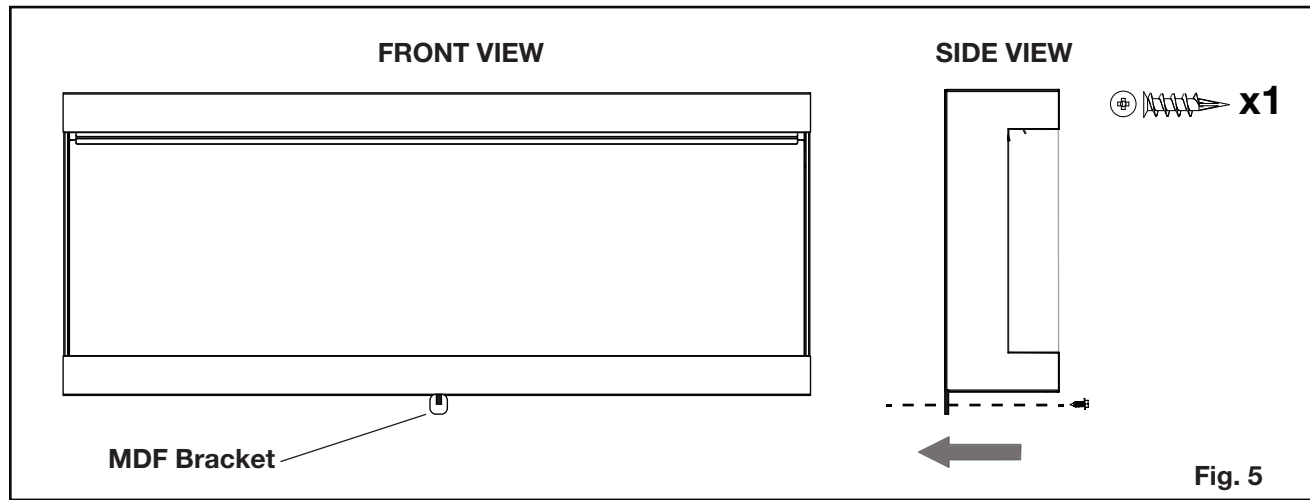
note:

It is strongly recommended that the mounting bracket be screwed into the wall studs where possible. If the wall studs cannot be used, ensure that the supplied plastic anchors are used to affix the bracket to the wall and that the bracket is adequately secured.

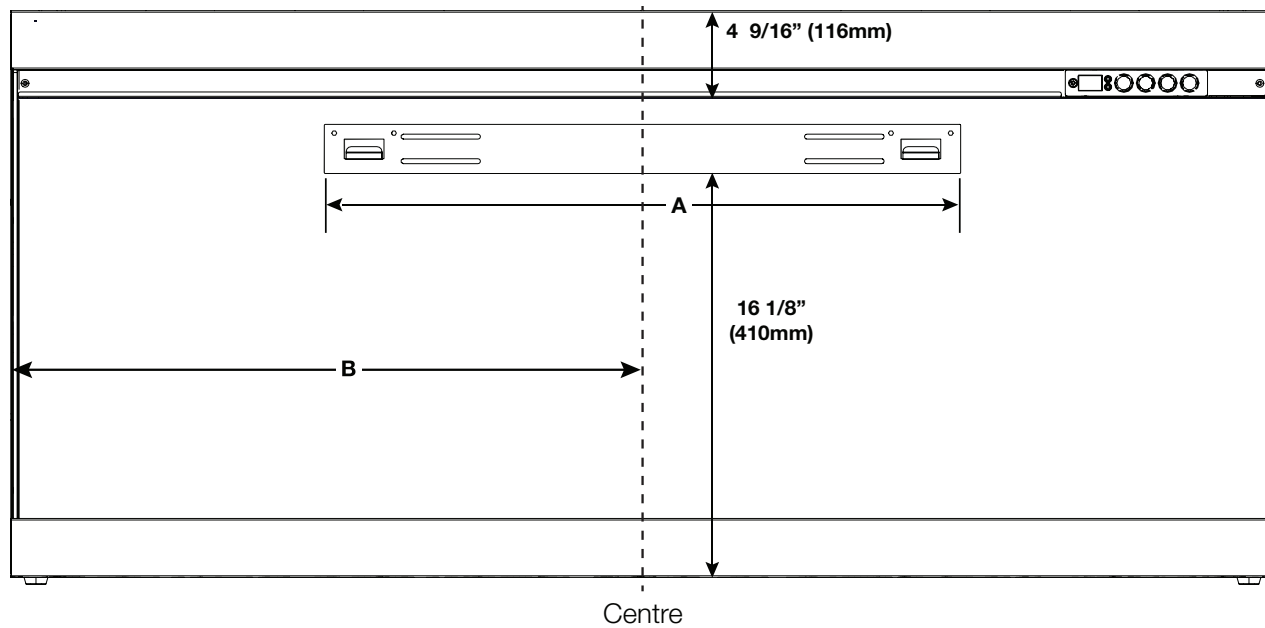


5. With the wall-mounting bracket installed, have two people lift the appliance up and insert the hooks on the bracket into the slots on the back of the appliance (Fig. 3).
6. Install the MDF bracket (supplied) to the bottom of the appliance by removing the unpainted existing screw in the centre of the appliance and then reinstalling it with the MDF bracket (Fig. 4).

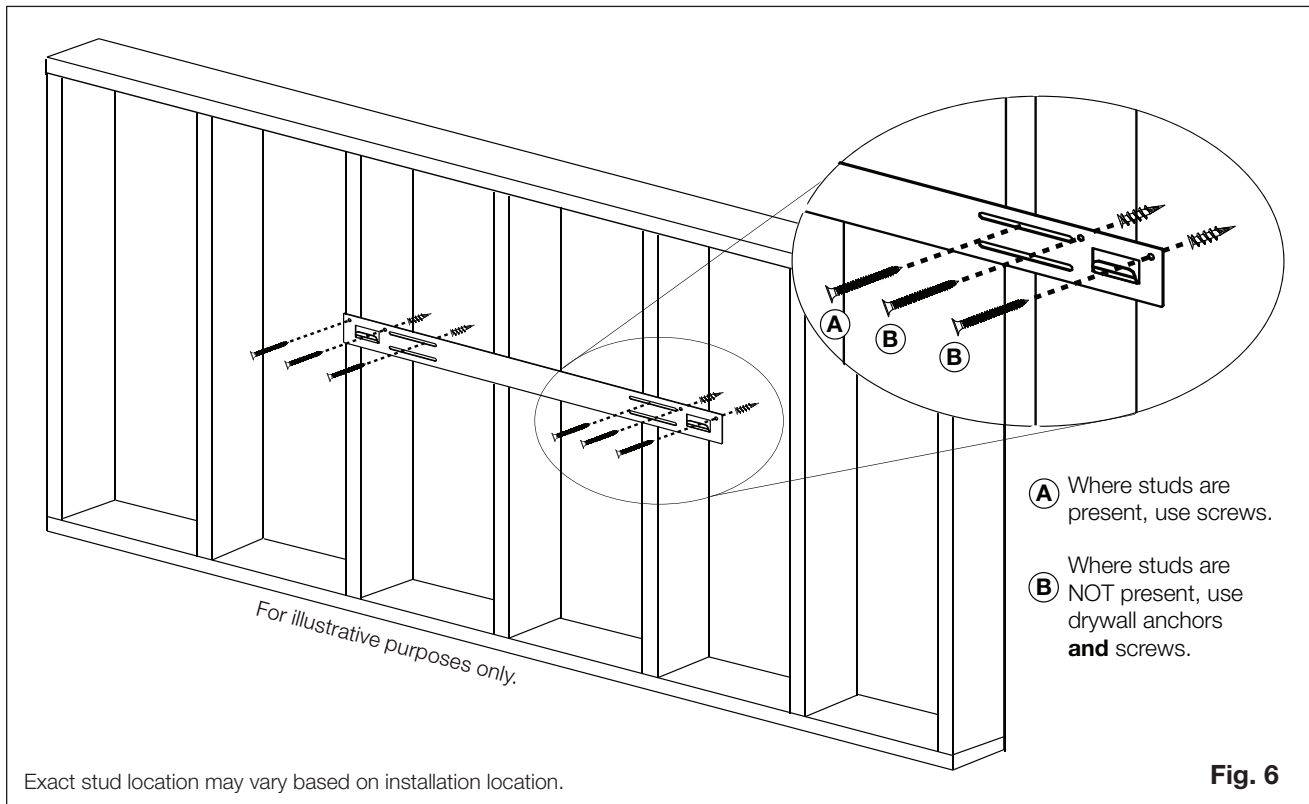




7. With the MDF bracket secured to the appliance, secure the MDF bracket to the wall using one screw (**Fig. 5**).
8. Check the appliance for stability, ensuring that the bracket will not pull free from the wall (**Fig. 6**).
9. Install media (see “media installation” section).
You must complete this step before moving onto the next step.
10. Install the front glass (see “front glass installation/removal” section).

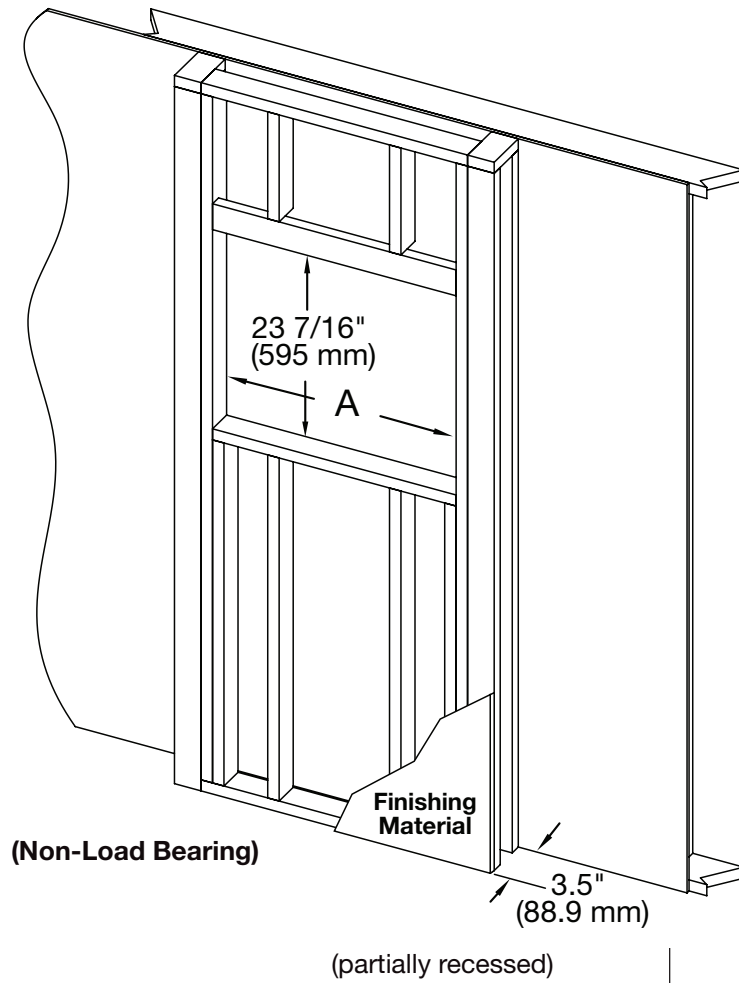


Model	A	B
NEFL50AB	25.2" (640 mm)	25" (635 mm)
NEFL62AB	25.2" (640 mm)	31" (788 mm)
NEFL74AB	42.17" (1071 mm)	36" (940 mm)

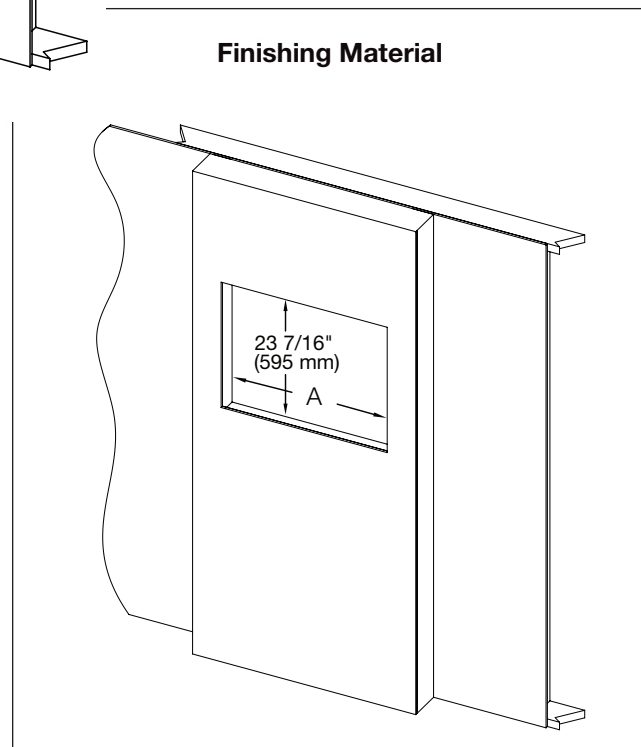


2.4 partial recessed installation

2.4.1 rough framing

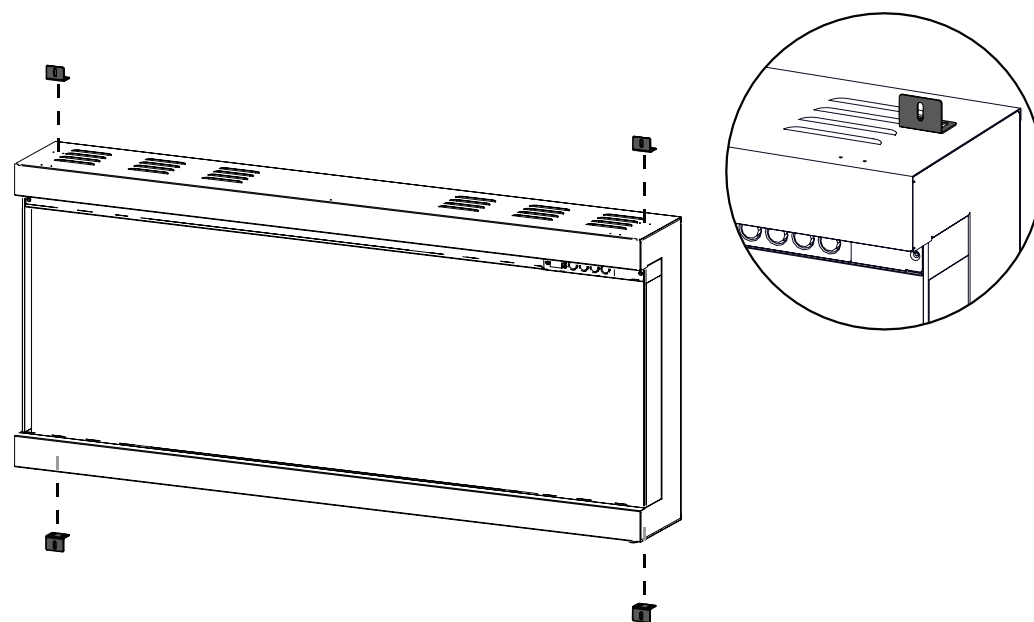


Model	A
NEFL50AB	50 1/2" (1283 mm)
NEFL62AB	62 1/2" (1588 mm)
NEFL74AB	74 1/2" (1892 mm)



2.4.2 unit preparation

1. Ensure front glass is removed from appliance before installation prep (see front glass removal).
2. Place the appliance face UP on a soft, non-abrasive surface.
3. Install the metal brackets to the rearmost set of holes on the top of the fireplace using the screws and washers (supplied).
4. Remove the power cord and complete hard-wiring (see "hard-wiring installation" section).



5. Insert the appliance into the rough framing by securing the screws (supplied) through the slotted holes on each securing bracket of the appliance into the rough framing. **(Fig. 7).**
6. Proceed to Finishing

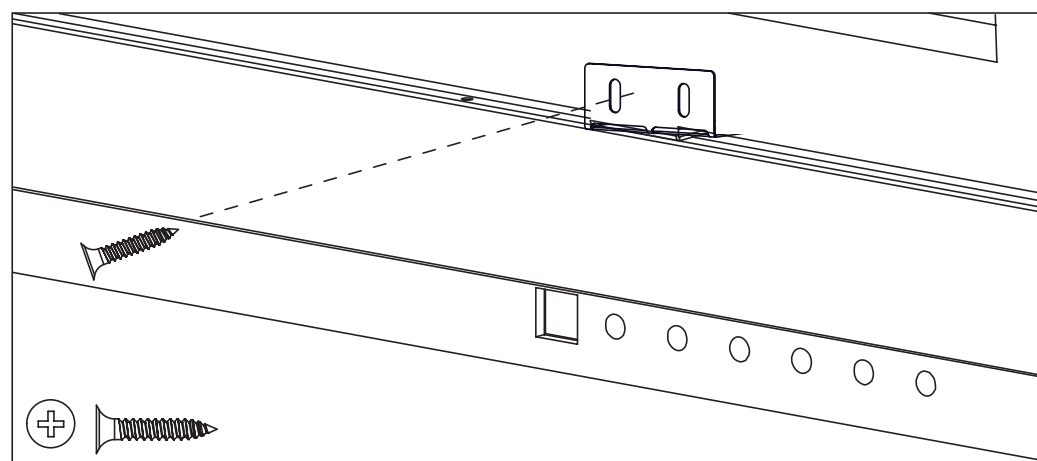
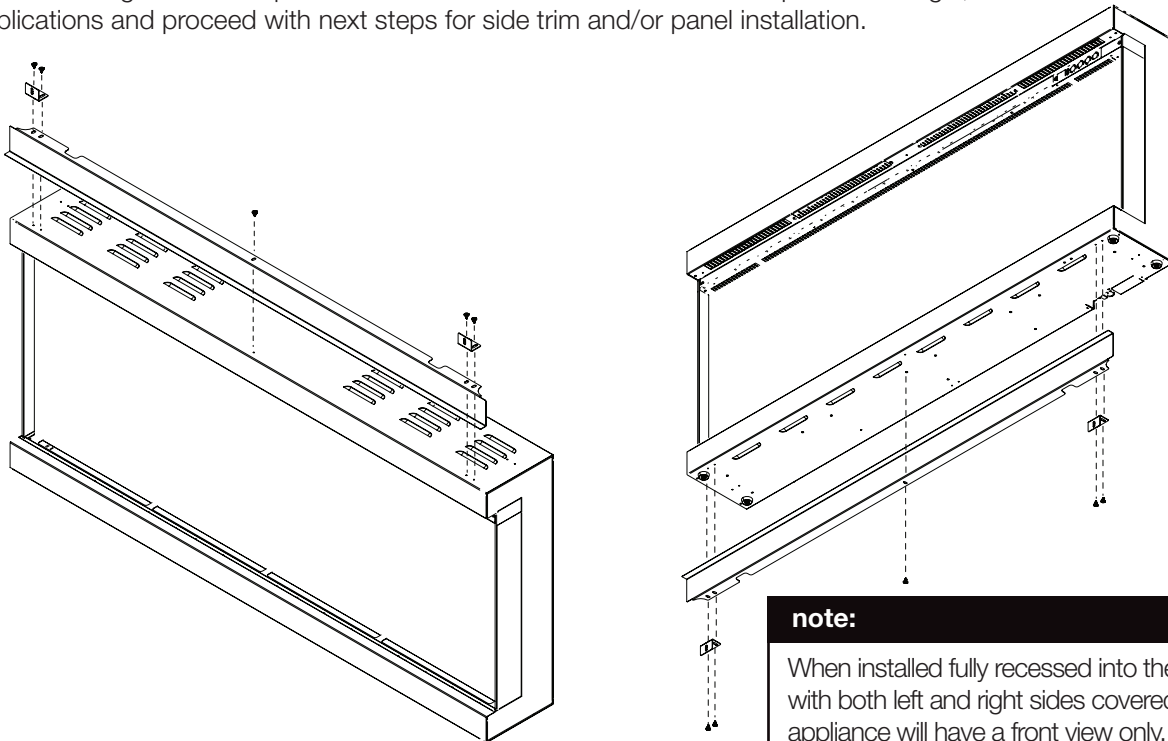


Fig. 7

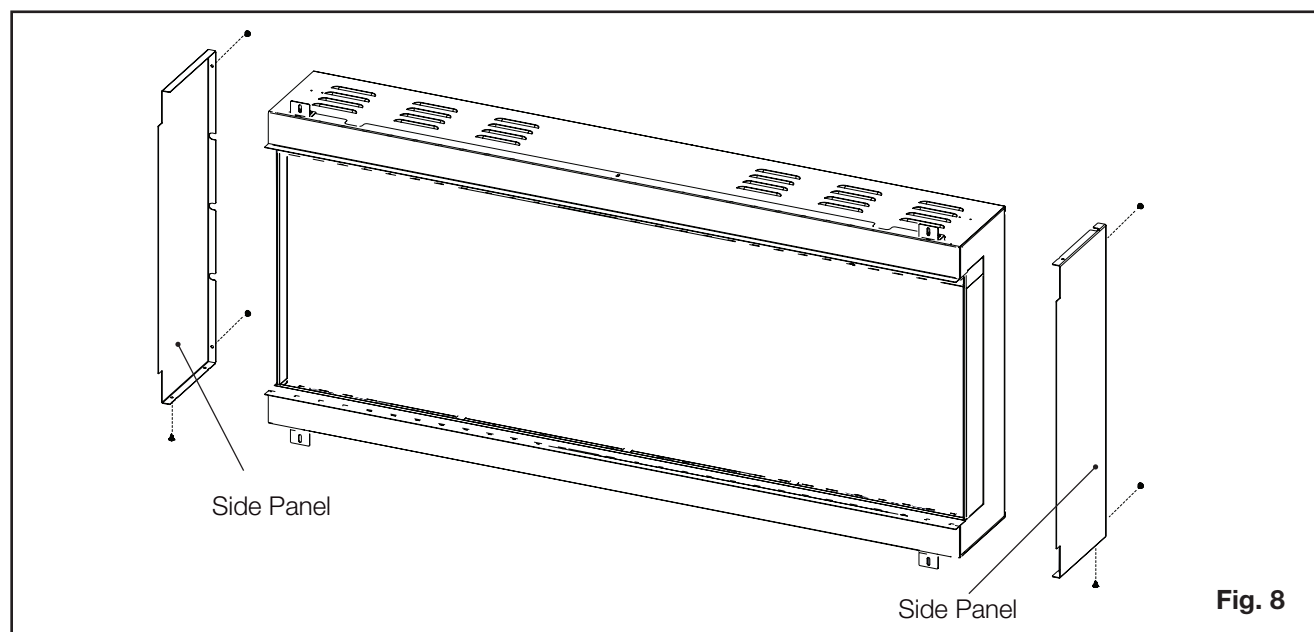
2.5 built in application

2.5.1 trim / panel installation

The Fireplace requires the use of additional trim and panels in order to be recessed fully into the wall to allow a protective surface and butting edge for finishing material. Install the top and bottom trims with the mounting brackets using the screws provided as shown. Review the installation options for single, 2 sided and 3 sided applications and proceed with next steps for side trim and/or panel installation.



1. Remove the screws from the back and bottom of the fireplace which align with the panel then secure the panels using the metal screws provided (**Fig. 8**).



For an end wall enclosure with 2 sides (front and 1 side) install the top and bottom trims along with 1 C shaped panel and 1 flat panel to the respected side which are required to be open and closed.

note:

When installed fully recessed into the wall with one side open, the appliance will have a front view and left- or right-sided view depending on desired open side.

2. For desired open side, remove the screws from the back of the fireplace which align with the trim then secure the trim using the metal screws provided (**Fig. 9**).
3. For desired closed side, remove the screws from the back and bottom of the fireplace which align with the panel then secure the panels using the metal screws provided (**Fig. 10**).

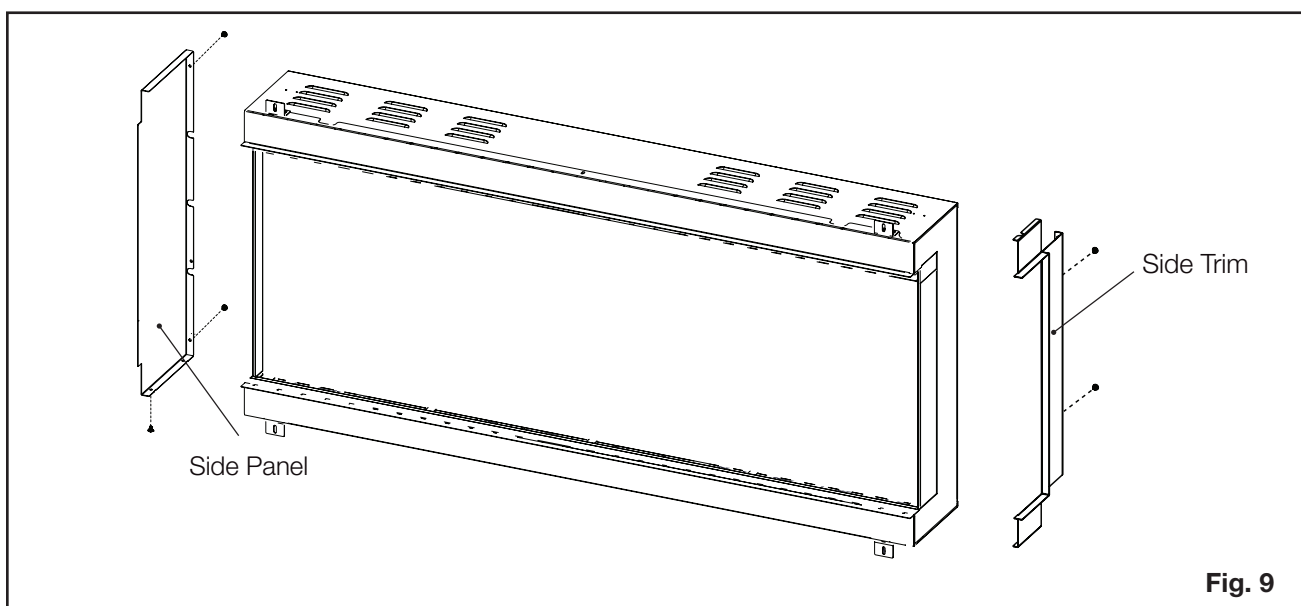


Fig. 9

4. Secure both side trims by removing the screws from the back of the fireplace which align with the trim then secure the trim using the metal screws provided. (**Fig. 10**).

note:

When installed with both sides open, the appliance will have a front view, as well as left- and right-sided views.

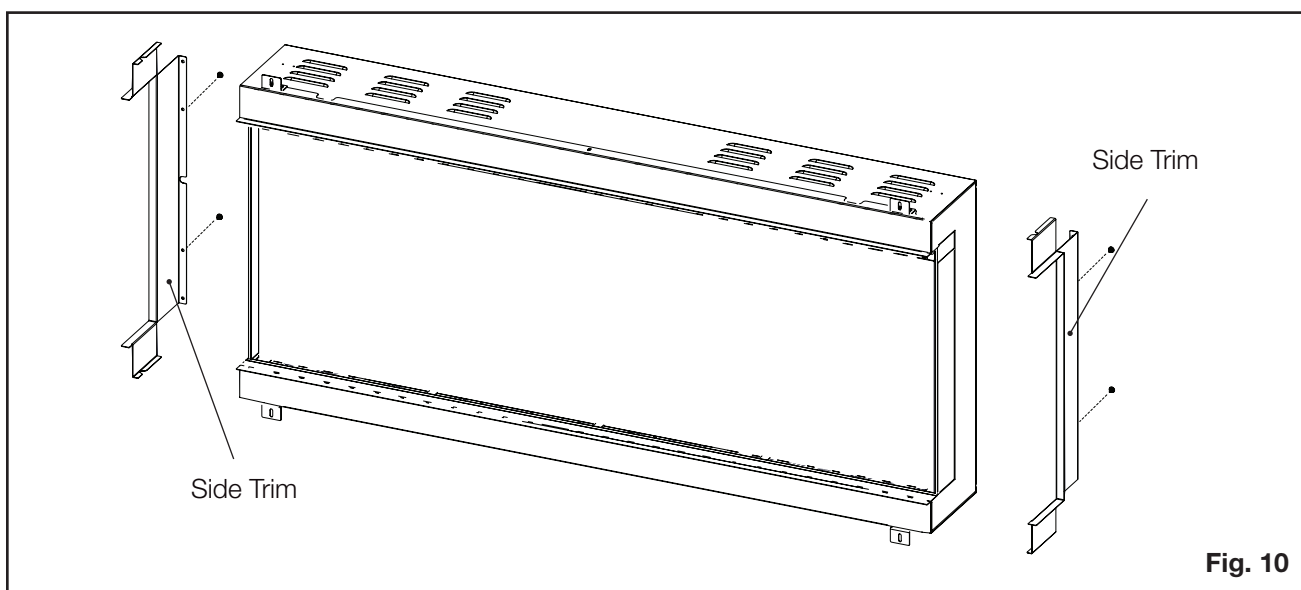


Fig. 10

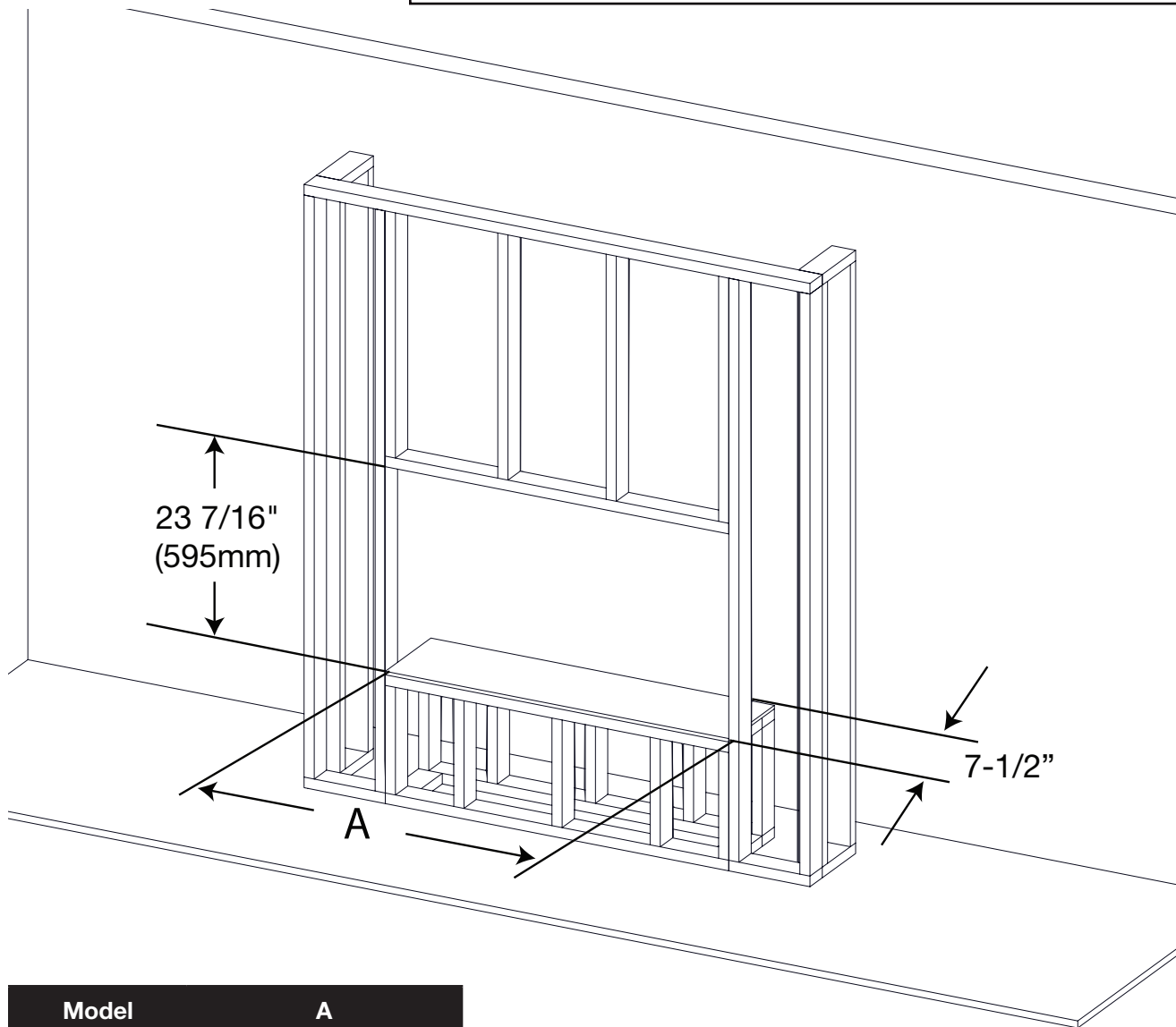
2.5.2 rough framing

Non-Load Bearing Wall Framing Hard wire location

note:

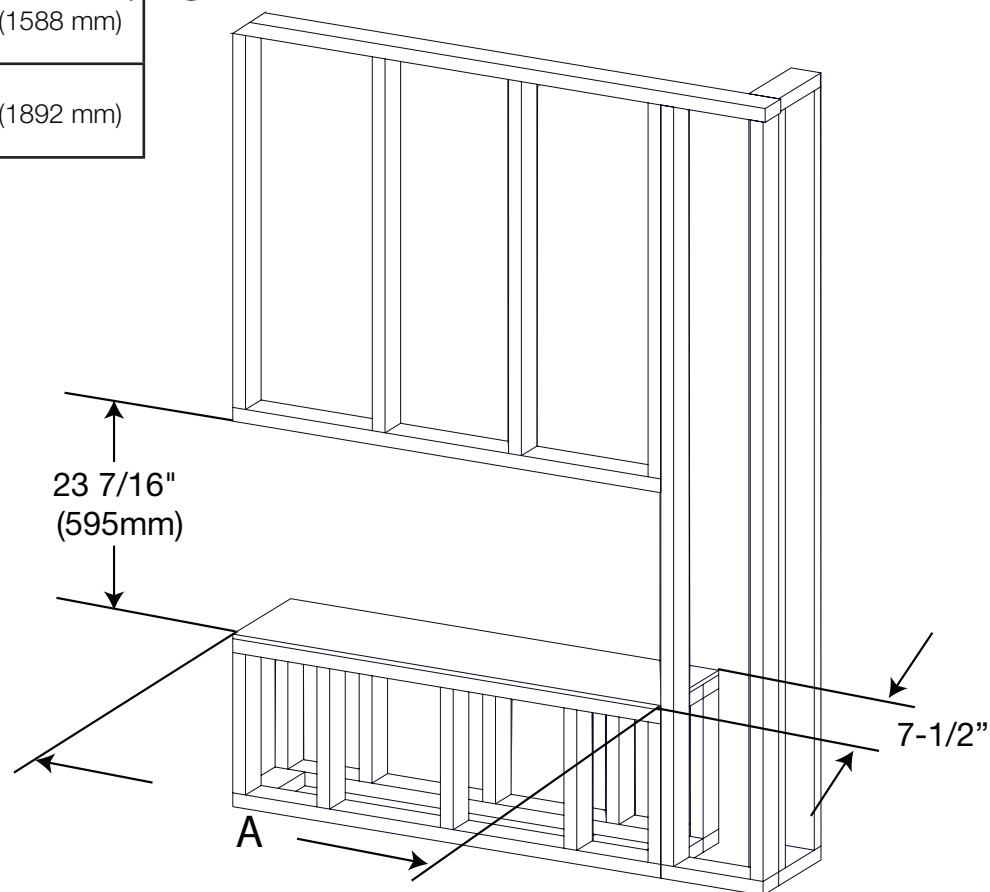
Appliance is NOT load-bearing. Carefully consider weight of finishing materials when constructing rough framing.

Ensure installation complies with all local building codes and requirements.



Model	A
NEFL50AB	50 1/2" (1283 mm)
NEFL62AB	62 1/2" (1588 mm)
NEFL74AB	74 1/2" (1892 mm)

Model	A
NEFL50AB	50 1/2" (1283 mm)
NEFL62AB	62 1/2" (1588 mm)
NEFL74AB	74 1/2" (1892 mm)



2.5.3 recessed installation

1. With the brackets and trim installed, have 2 people lift the appliance up and insert the appliance into the rough in framing.
2. Check the appliance for stability and then secure it into the rough framing by fastening the supplied wood screws through the slotted holes on each securing bracket.

3.0 electrical information

! WARNING

- Turn off the appliance completely and let cool before servicing. Only a qualified service person should service and repair this electric appliance.

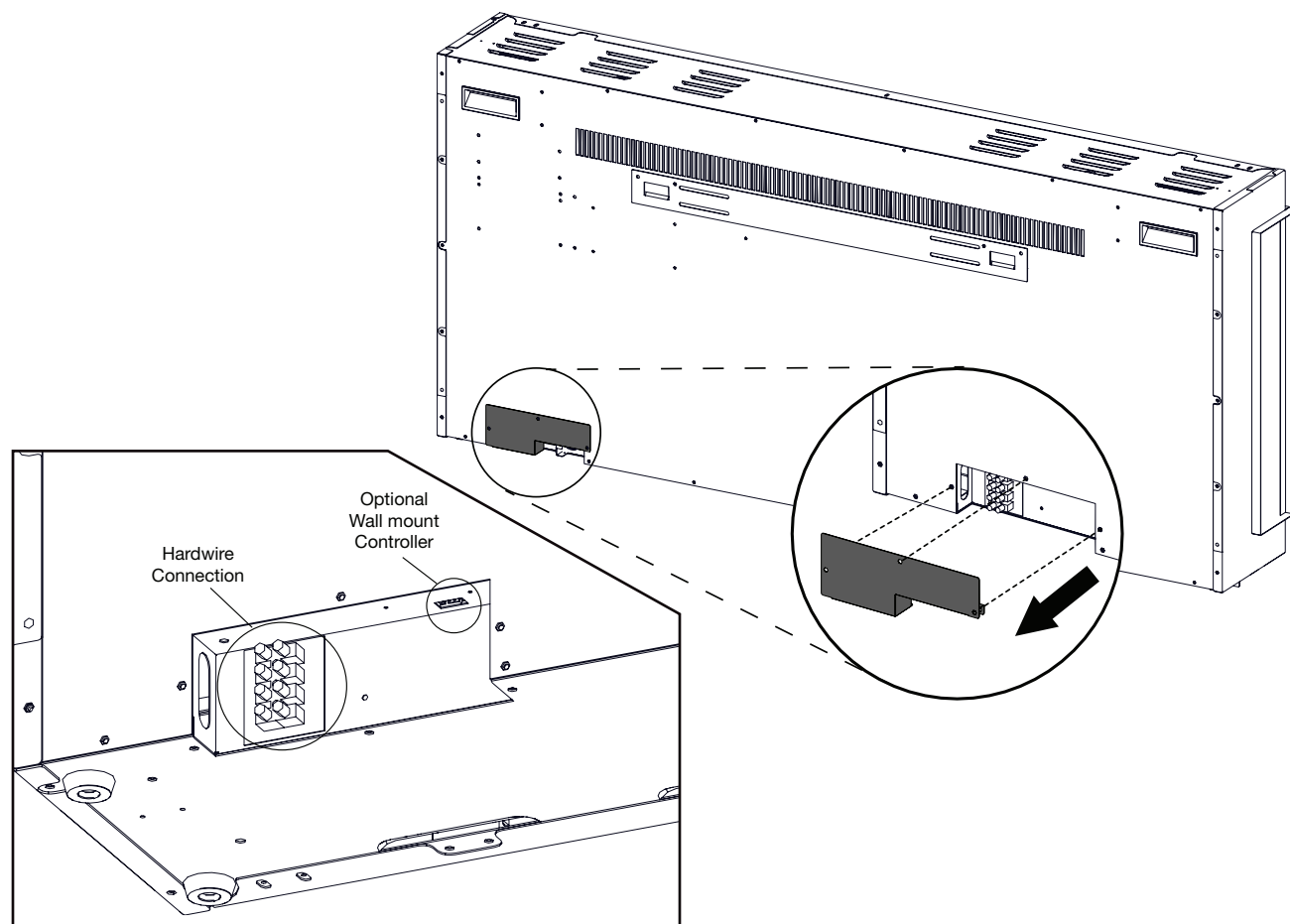
It is necessary to hard-wire this appliance when recessed into the wall. A qualified electrician must wire the appliance directly to the household wiring.

This appliance must be electrically wired and grounded in accordance with local codes or, in the absence of local codes, with the latest edition of the National Electrical Code ANSI/NFPA 70 in the United States or the Canadian Electrical Code CSA C22.1 in Canada. Before hard-wiring the appliance, remove the junction box cover by removing the fasteners as shown.

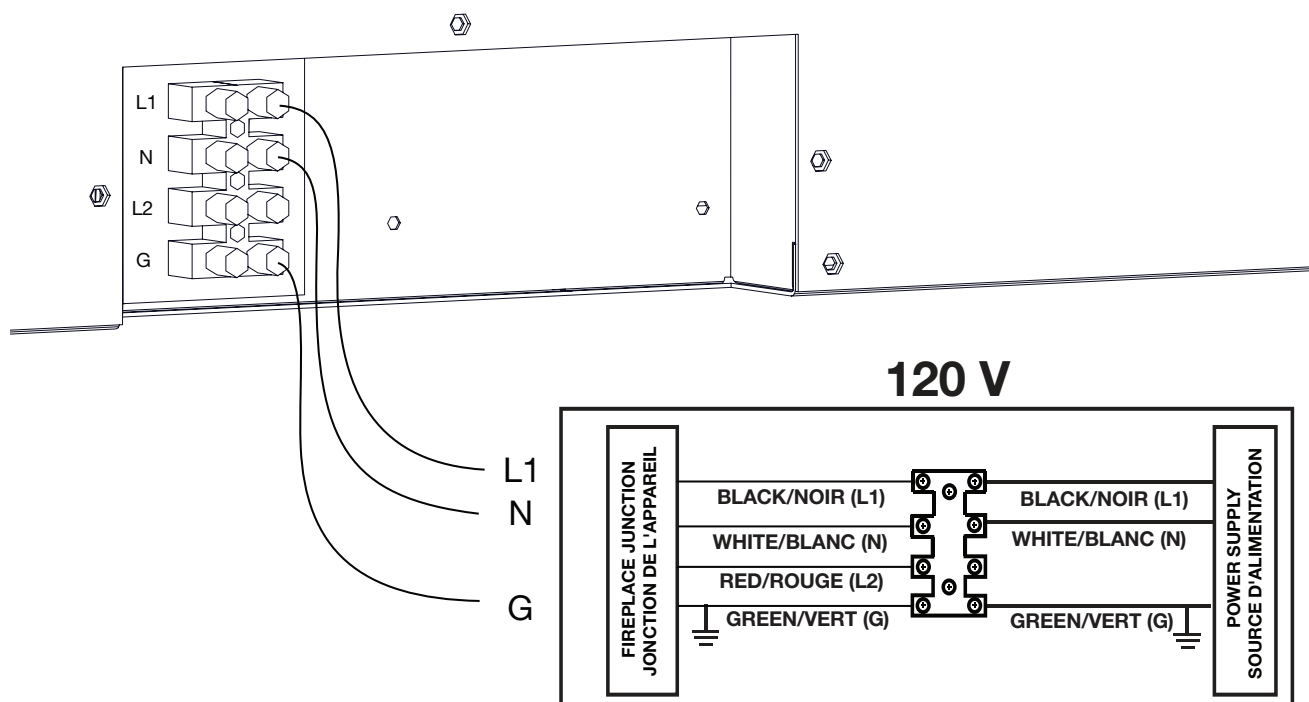
1. Remove the power cord by ensuring the appliance is unplugged then locate and remove the screws

connecting the cover plate to the fireplace. Once removed, Loosen the terminal screws too pull the wires out of the terminal block.

2. Locate the desired 2 conductor or 3 conductor wire cable to the bottom right side of the enclosure for the hard-wiring installation based on the desired 120 V or 240 V heat output capability.
3. With the appliance in the rough-in framing, insert far enough into the enclosure to locate the supply wires to the terminal block.
4. Insert the wires from your home through the junction box cover plate with the strain relief (supplied) and locate the wires to the specified terminal block location based on desired voltage selection.



3.1 120 V hard-wiring installation.



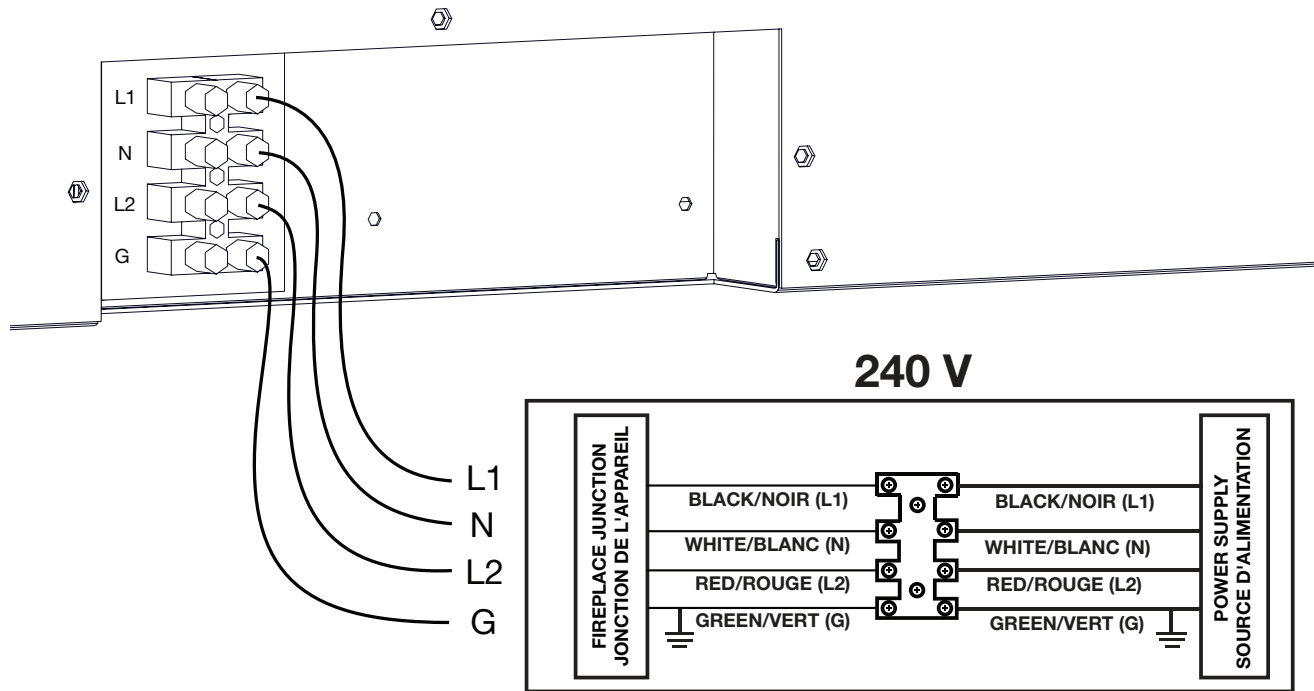
1. Insert Green or bare copper wire to the designated G Terminal. Tighten the screw.
2. Insert Neutral wire to the designated N Terminal. Tighten the screw.
3. Insert L1 wire to the designated L1 Terminal. Tighten the screw.

note:

If installing with Optional Wall mount Controller installation. Plug in the wire harness connection to the 4 pin connector located next to the hard wire terminal block.

4. Make sure all connections are tightened properly.
5. Reinstall the junction box cover plate.

3.2 240 V hard-wiring



1. Insert Green or bare copper wire to the designated G Terminal. Tighten the screw.
2. Insert Neutral wire to the designated N Terminal. Tighten the screw.
3. Insert L1 wire to the designated L1 Terminal. Tighten the screw.
4. Insert L2 wire to the designated L2 Terminal. Tighten the screw.

note:

If installing with Optional Wall mount Controller installation. Plug in the wire harness connection to the 4 pin connector located above the hard wire terminal block.

5. Make sure all connections are tightened properly.
6. Reinstall the junction box cover plate.

3.3 optional wall-mount controller installation

The wall-mount controller is designed with a recessed securing bracket to allow it to secure directly to the finishing material and does not require to be fixed to a stud. Route the wire harness for the wall-mount controller from the fireplace junction box to the desired

location for the wall-mount controller. Some finishing material may need to be fixed to the enclosure to allow the wall-mount controller to be secured. See finishing material installation.

4.0 finishing

4.1 finishing materials

! WARNING

- Risk of fire!
 - Never obstruct the front opening of the appliance.
 - Do not strike, slam, or scratch. Do not operate appliance with glass removed or cracked.
 - Facing and/or finishing material must never overhang into the appliance opening.
 - **Do not finish past the finishing edge trim.**
- Installing finishing materials past the finishing edge trim will result in not being able to install and/or open and close the front glass panel.
- Drywall dust may penetrate into the blower bearings, causing irreparable damage. Care must be taken to prevent drywall dust from coming into contact with the blower or its compartment. Any damage resulting from this condition is not covered by the warranty policy.

1. Both Combustible and non-combustible finishing materials can be used for this product installation.
2. Finishing material will be covering the front of the unit and will butt against the finishing material edge flange (Fig 11).

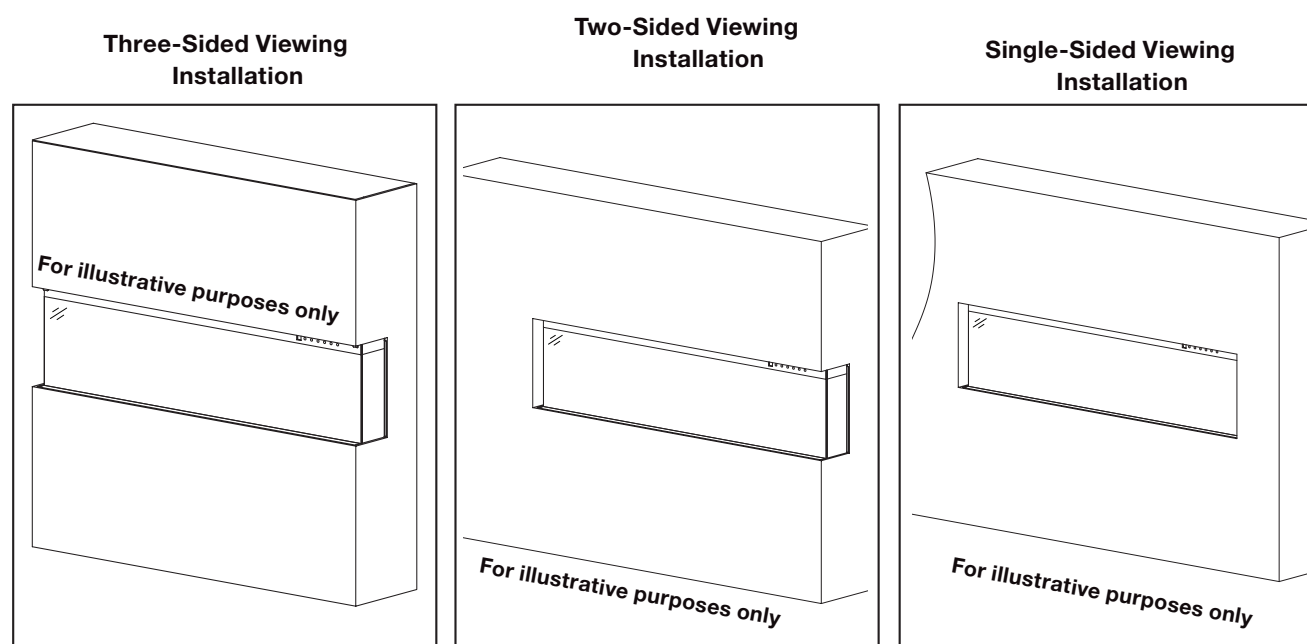


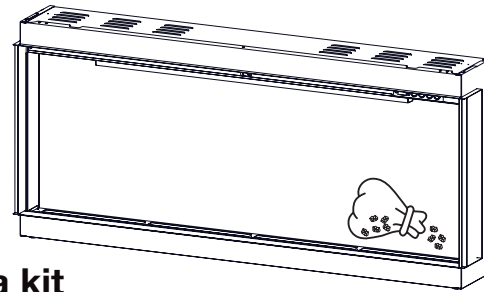
Fig. 11

! WARNING

- Power supply service must be completed prior to finishing to avoid reconstruction.
- Heat vents and air openings cannot be covered in any circumstances.

4.2 media installation

The front glass must be removed and the appliance must be secured in its final location before the crystal embers are installed (see “front glass installation and removal” section).



4.2.1 beach fire logs and woodland media kit

1. Start by laying out the 2 types of glass along the media bed. Mix the 2 colors together to create a realistic burning appearance once fireplace is turned on.
2. Place the logs into desired position, reference pictures are shown in figure 7 as recommended
3. Place the mineral rocks and charcoal pieces around the logs according to your desired preference.

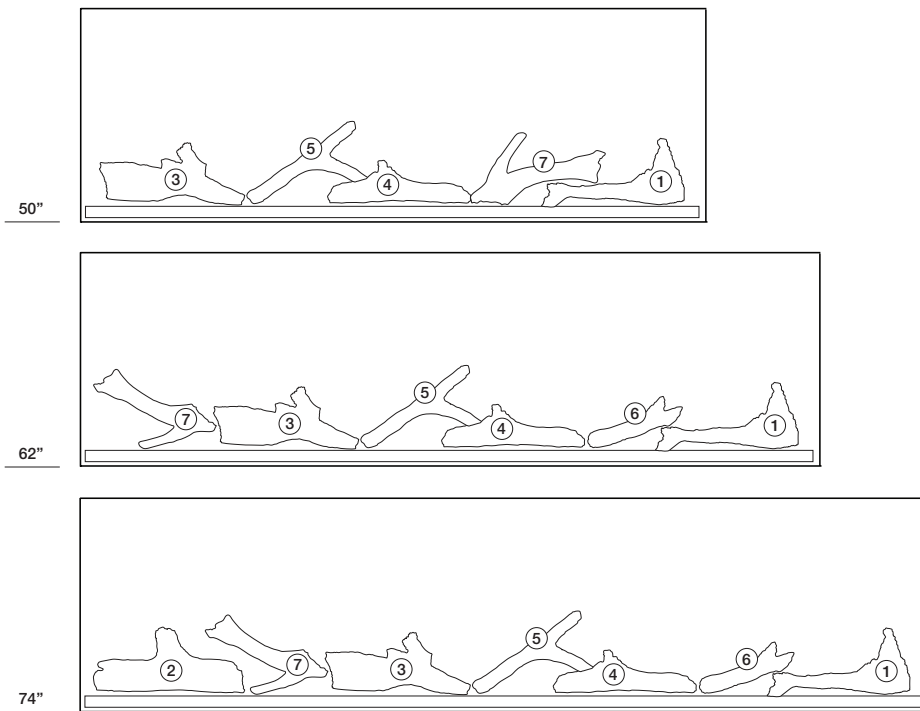
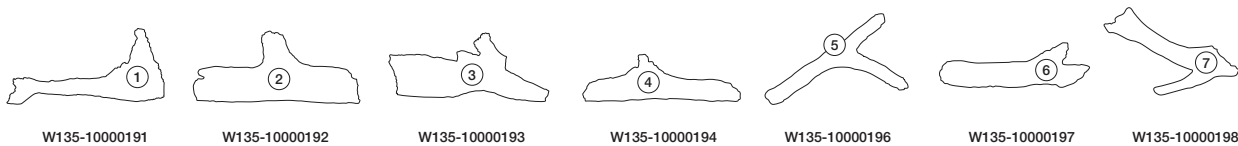


Fig. 12



Size	W135-10000191 #1	W135-10000192 #2	W135-10000193 #3	W135-10000194 #4	W135-10000196 #5	W135-10000197 #6	W135-10000198 #7	Total Qty.
50"	1	0	1	1	1	0	1	5
62"	1	0	1	1	1	1	1	6
74"	1	1	1	1	1	1	1	7

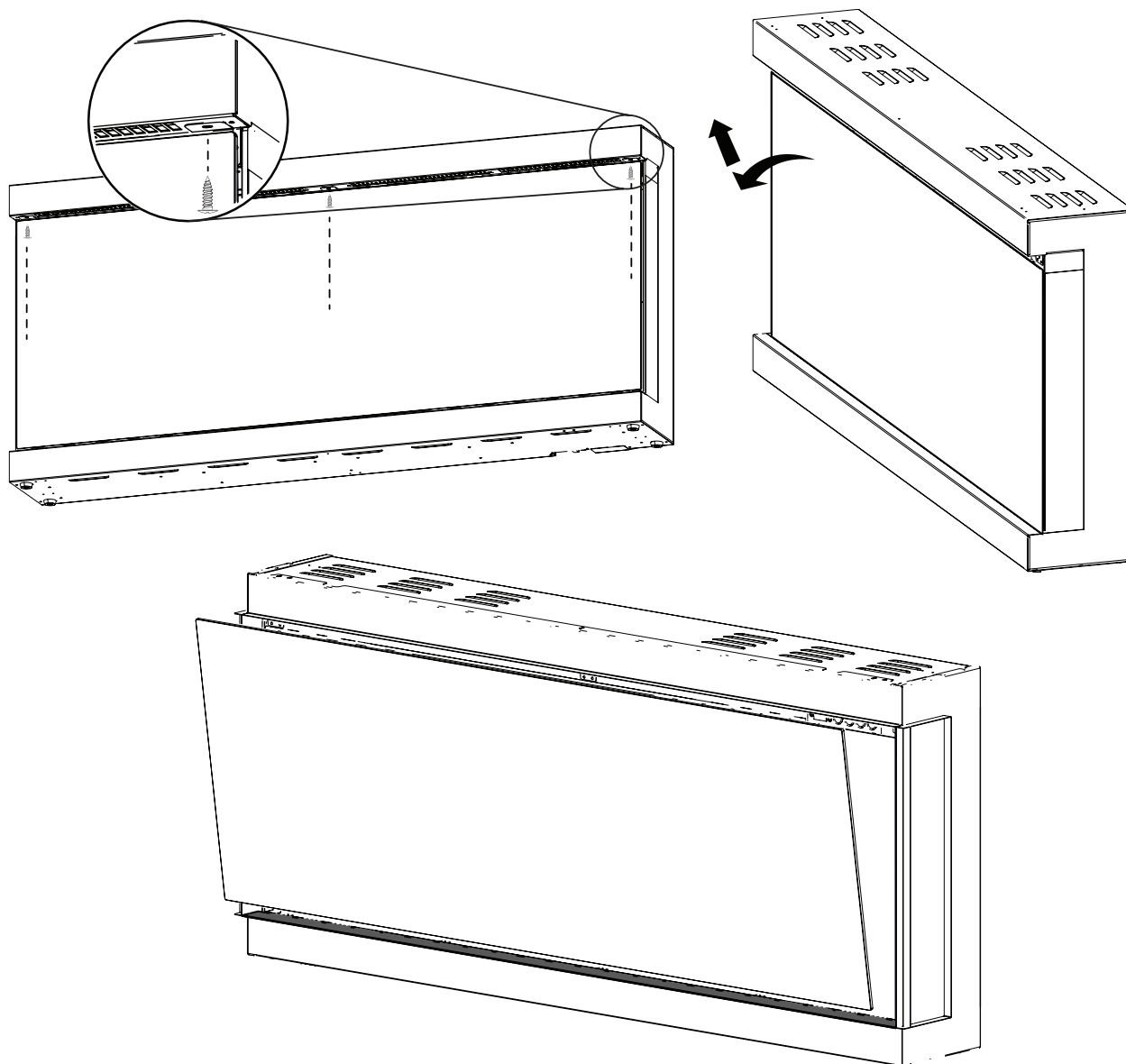
4.3 front glass installation and removal

Remove the screws holding the securing brackets at the top of the glass. Pull the glass away from the unit

then lift up and out. Once removed, the glass should be placed on a soft non-abrasive surface.

! WARNING

- Before the front glass is installed or removed, unplug the appliance and wait until appliance is cool to the touch. Glass can be heavy and fragile, so handle with care.

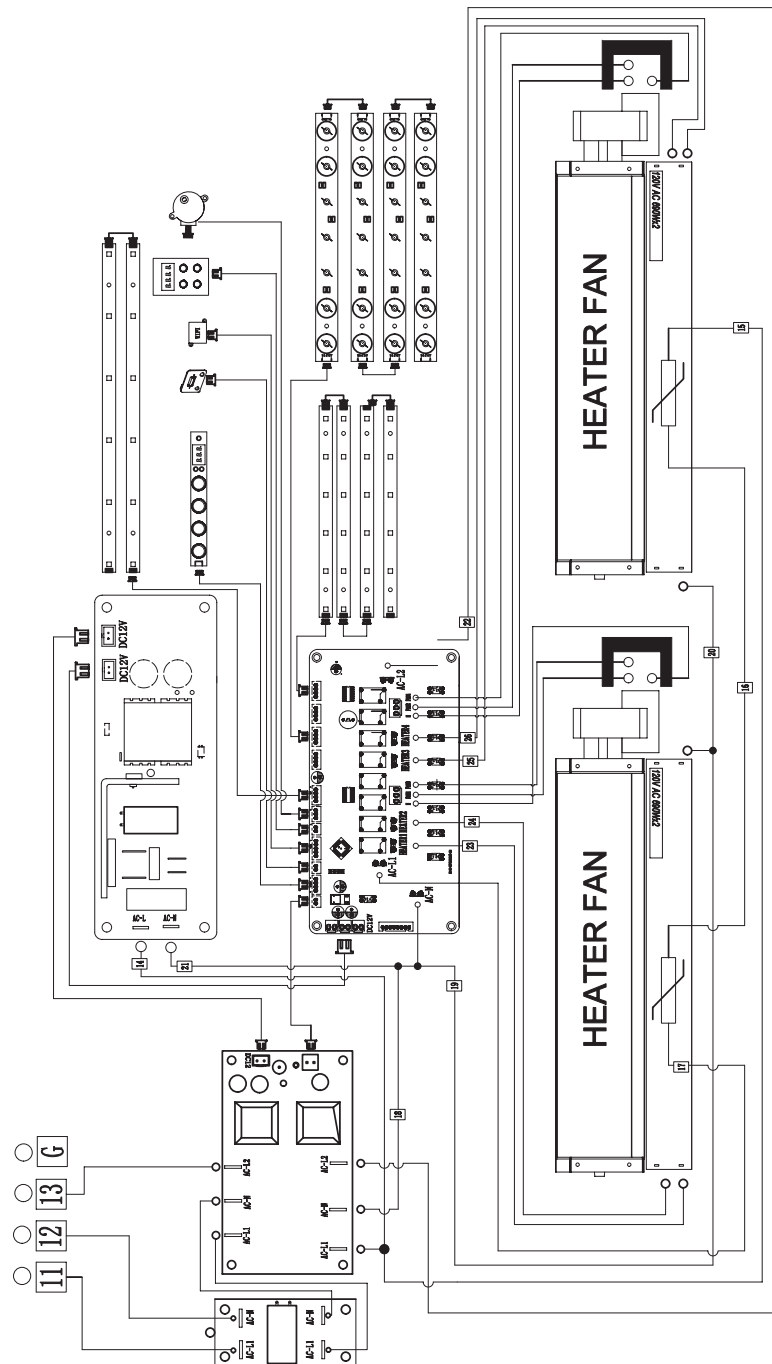


5.0 wiring diagram

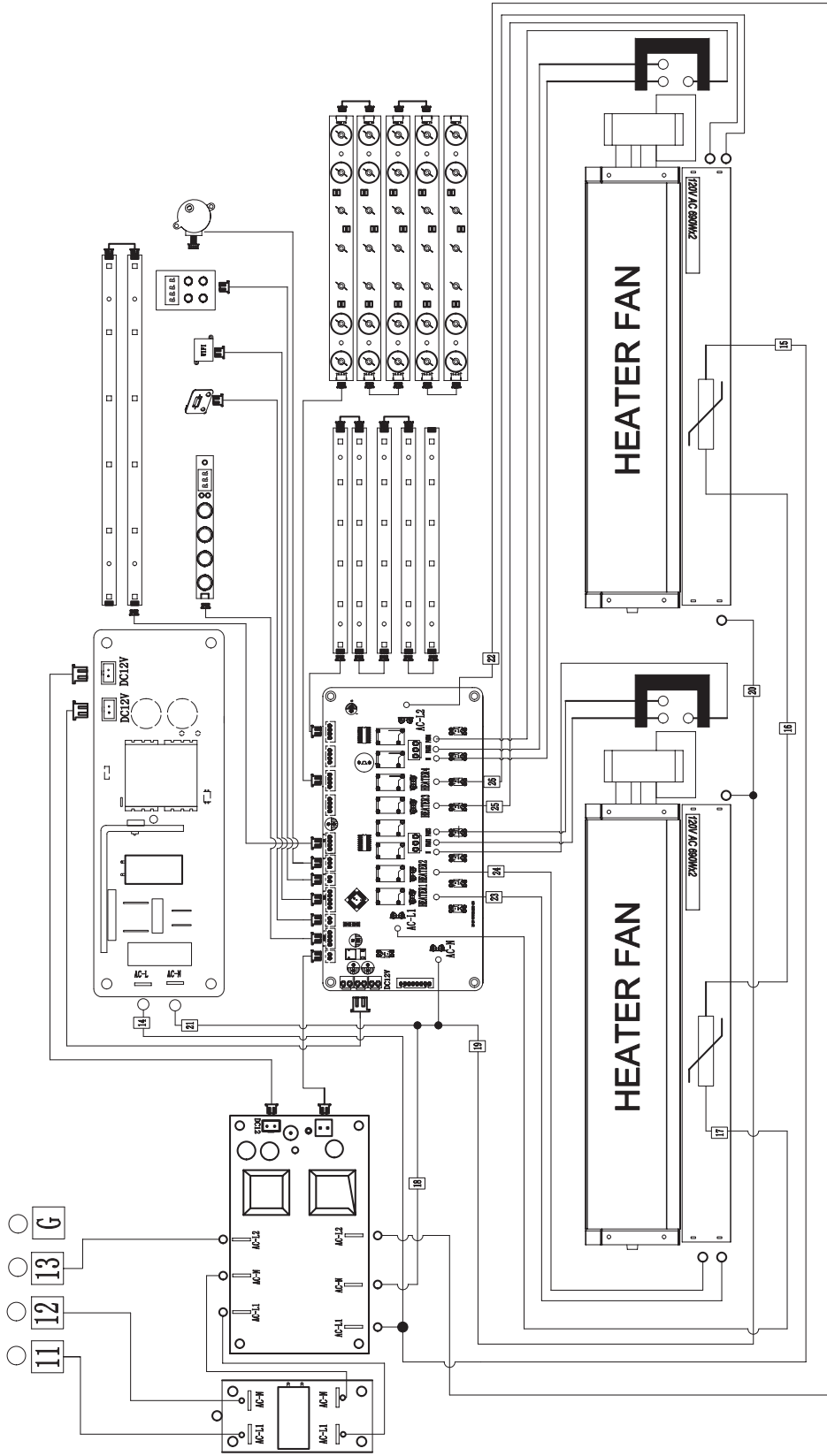
5.1 NEFL50AB wiring diagram

! WARNING

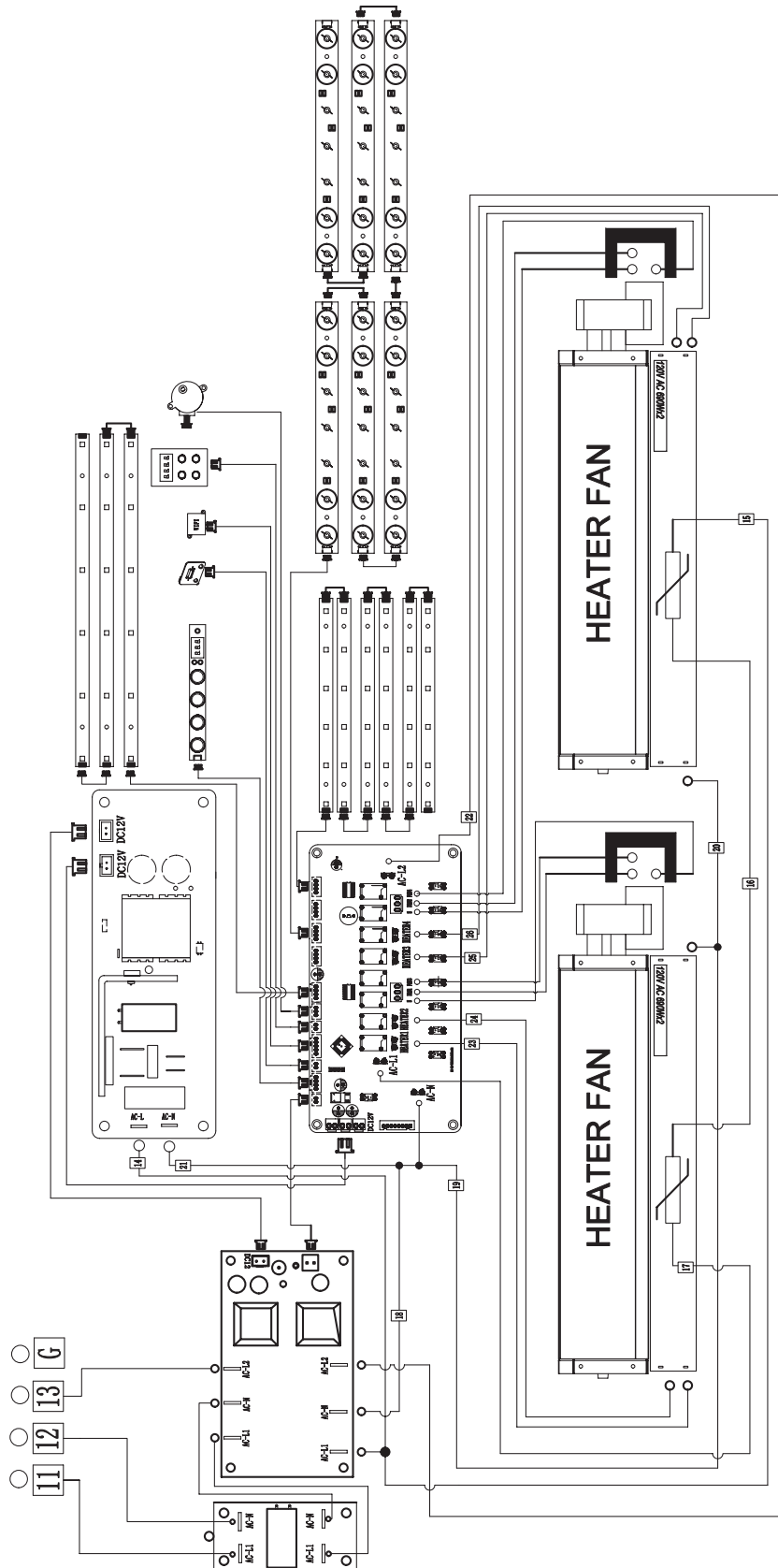
- Turn off the appliance completely and let cool before servicing. Only a qualified service person should service and repair this electric appliance.



5.2 NEFL62AB wiring diagram



5.3 NEFL74AB wiring diagram



6.0 operation

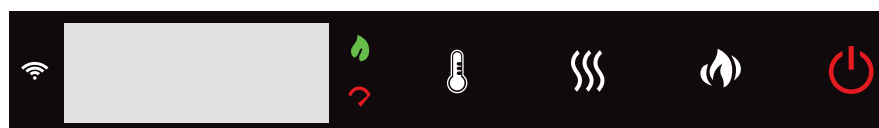
Once the appliance has been electrically connected to a grounded circuit and the breaker is on, it is ready to operate.








note:

Ensure the house circuit breakers for the power supply are turned on. In the event of a power failure, the appliance will lose its memory function and will reset to factory mode when the power returns.

6.1 operating control panel

The control panel is located on the top right-hand corner of the appliance.



Power		Turn the appliance on/off.
Temperature		Control the temperature of the appliance with 11 settings. Settings: 18 °C [64 °F], 19 °C [66 °F], 20 °C [68 °F], 21 °C [70 °F], 22 °C [72 °F], 23 °C [74 °F], 24 °C [76 °F], 25 °C [78 °F], 26 °C [80 °F], 27 °C [82 °F] and OFF. Note: Press and hold the button for 3s to switch between °C and °F
Heater		Turns the heater and blower on/off. Settings: H-0: Heater and blower off FAN: Heater is off and blower is on H-1: Heater and blower on Note: Heater control function can be enabled/disabled by holding the button for 3s. When the heater function is disabled, "LOC" will be displayed.
Flame		Turn the flame effect on/off. Settings: F-1: Both orange and yellow flame on, 100% brightness F-0: Both orange and yellow flame off Note: Press and hold the button 8s for Wi-Fi setup.
ECO Mode Indicator		Indicates the appliance is working under ECO mode.
Boost Mode Indicator		Indicate the appliance is working under Boost mode.
Wi-Fi Indicator		Indicates the appliance is connected to the wireless network.

6.2 operating remote control



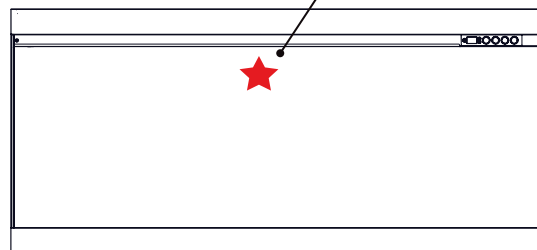
Features:

















Power / standby
 Heater setting: H-0, FAN, H-1
 ECO mode
 Boost mode
 Temperature setting
 Flame color setting: orange/yellow
 Flame speed setting
 Ember bed color setting
 Ember bed brightness setting
 Top light setting







Special features:



7/24 timer programming
 open window alert

Infrared Remote
 Point Remote Here

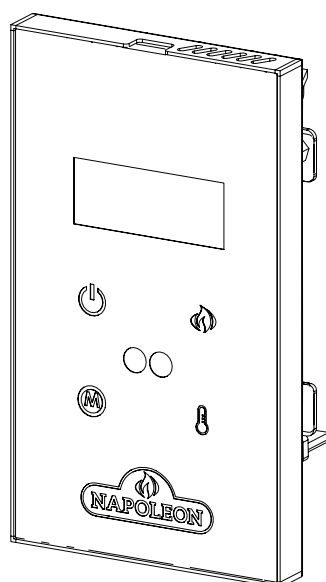






Power/Standby		Turn the appliance on/off.
Heater		<p>Turns the heater and blower on/off.</p> <p>Settings: H-0: Heater and blower off FAN: Heater is off and blower is on H-1: Heater and blower on</p> <p>Note: Heater control function can be enabled/disabled by holding the button for 3s. When the heater function is disabled, "LOC" will be displayed.</p>
7/24 Timer		<p>Press the  button to set the current day and time.</p> <p>When "MON" starts flashing, use  to select current day. Press OK to complete setting.</p> <p>When the hour digits start flashing, use  to select the current hour. Press OK to complete the setting.</p> <p>When the minute digits start flashing, use  to select the current minute. Press OK to complete the setting.</p> <p>Hold the  button to set the weekly schedule.</p> <p>Press and hold the  for 3s.  ON logo will appear on screen. When "MON" starts to flash, use  to select the desired day. Press OK to complete setting.</p> <p>When "--:--" starts flashing, use  to select the time. Press OK to confirm. Every time when the  is pressed, 30 minutes will be added or reduced. Press  any time to clear digits. Leave hour and minute in "--:--" to not set up the schedule.</p> <p>When "18 °C" starts flashing, use  to select desired temperature to on heater (thermostat function on). Press OK to complete the setting. After finishing step 4,  OFF logo will appear on screen. Repeat steps 2 and 3 to set the day and time for off schedule. Repeat steps 1 to 5 to set the time ON/OFF schedule every day.</p>

<p>ECO</p>		<p>Hold the button for 3s to turn on/off heater with half heat output (ECO mode).</p> <p>Note: When running in ECO mode, ECO indicator will light up on the control panel.</p>			
<p>Boost</p>		<p>Hold the button for 3s to turn on/off Boost mode for 30 mins.</p> <p>Note: When running in Boost mode, BST indicator will light up on the control panel.</p>			
<p>Thermostat Control</p>		<p>Control the temperature of the appliance. Use \uparrow \downarrow to change settings.</p> <p>Settings: 18 °C [64 °F], 19 °C [66 °F], 20 °C [68 °F], 21 °C [70 °F], 22 °C [72 °F], 23 °C [74 °F], 24 °C [76 °F], 25 °C [78 °F], 26 °C [80 °F], 27 °C [82 °F] et OFF.</p> <p>Note: Press and hold the button for 3s to switch between °C and °F.</p>			
<p>Flame</p>		<p>Turn the flame effect on/off.</p> <p>Press the button, flame 1 icon on the LCD display will start to flash. Use the \uparrow \downarrow to change brightness. Press the button again, flame 2 icon on the LCD display will start to flash. Use the \uparrow \downarrow to change brightness. Press the button for a third time, both flame 1 and flame 2 icons on the LCD display will start to flash.</p> <table border="1" data-bbox="621 1057 1494 1240"> <tr> <td data-bbox="621 1057 904 1240"> <p>Icon 1: Orange flame. OF4 (100%) OF3 (75%) OF2 (50%) OF1 (25%) OF0 (0%)</p> </td> <td data-bbox="904 1057 1199 1240"> <p>Icon 2: Yellow flame. YF4 (100%) YF3 (75%) YF2 (50%) YF1 (25%) YF0 (0%)</p> </td> <td data-bbox="1199 1057 1494 1240"> <p>Icon 1 + 2: Both flames. F-1 Both flame on (100%) F-0 Both flame off. (0%)</p> </td> </tr> </table>	<p>Icon 1: Orange flame. OF4 (100%) OF3 (75%) OF2 (50%) OF1 (25%) OF0 (0%)</p>	<p>Icon 2: Yellow flame. YF4 (100%) YF3 (75%) YF2 (50%) YF1 (25%) YF0 (0%)</p>	<p>Icon 1 + 2: Both flames. F-1 Both flame on (100%) F-0 Both flame off. (0%)</p>
<p>Icon 1: Orange flame. OF4 (100%) OF3 (75%) OF2 (50%) OF1 (25%) OF0 (0%)</p>	<p>Icon 2: Yellow flame. YF4 (100%) YF3 (75%) YF2 (50%) YF1 (25%) YF0 (0%)</p>	<p>Icon 1 + 2: Both flames. F-1 Both flame on (100%) F-0 Both flame off. (0%)</p>			
<p>Flame Speed</p>		<p>Control the flame speed.</p> <p>Press the button, flame speed icon will start to flash on LCD display. Use \uparrow \downarrow to change settings.</p> <p>Settings: S-3 (12 RPM) S-2 (10.5 RPM) S-1 (9 RPM) S-5 (15 RPM) S-4 (13.5 RPM) S-3 (12 RPM)</p>			
<p>Ember Bed Color</p>		<p>Control the ember bed color.</p> <p>Press the button, ember bed color icon will start to flash on the LCD display. Use \uparrow \downarrow to change settings.</p> <p>Settings: L01 L02 ... L13 L-C (Cycle) L01</p>			

Ember Bed Brightness		<p>Control ember bed brightness. Press the button, ember bed bright ness icon will start to flash on the LCD display. Use \uparrow to change settings.</p> <p>Settings: B-4 (100%) B-3 (60%) B-2 (40%) B-1 (10%) B-0 B-F (Fade in and fade out) B-4</p>
Top Light		<p>Control the top light. Press the button, top LED icon will start to flash on the LCD display. Use \uparrow to change settings.</p> <p>Settings: D01 D02 ... D13 D-C (Cycle) D00 D01</p>

6.3 operating optional wall mount controller



Power		Turn the appliance on/off.
Flame On/Off		Turns the flame on/off. Settings: F-1: Flame on at 100% brightness for both orange and yellow flame (default setting) F-0: Flame off
Mode Selection		Switches between running modes. Default setting: H-0 Settings: H-0: Heater and blower off FAN: Heater is off and blower is on H-1: Heater and blower on ECO: Heater running in economic mode BST: Heater in enhance mode, blower running at high speed Note: Heater control function can be enabled/disabled by holding the button for 3s. When the heater function is disabled, "LOC" will be displayed.
Thermostat Control		Press this button to activate the thermostat. Continue pressing the same button to increase the temperature setting. Each press will increment the temperature by 1 °C (2 °F), starting from the default setting of 18 °C (64 °F). To turn off temperature mode: Repeatedly press the button until no temperature value is displayed, indicating "OFF." The temperature setting will reset to the default value of 18 °C (64 °F). Settings: 18 °C [64 °F], 19 °C [66 °F], 20 °C [68 °F], 21 °C [70 °F], 22 °C [72 °F], 23 °C [74 °F], 24 °C [76 °F], 25 °C [78 °F], 26 °C [80 °F], 27 °C [82 °F] and OFF. Note: Press and hold the button for 5s to switch between °C and °F.

7.0 napoleon connectivity

NAPOLEON HOME APP



HOW DOES IT WORK?

Access your appliance remotely by downloading the **Napoleon Home App** from your app store.

In order to access the app, you will be required to create an account by following the instructions listed within the app (see below for details).

By pairing your appliance to the **Napoleon Home App** via WiFi, you gain control to all modes and functions of the appliance.

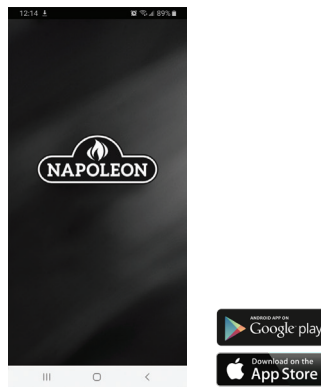
All notifications and alarms are sent through the app to keep you connected with ease.



Scan this QR code for direct access to the **Napoleon Home App** website.

let's get started

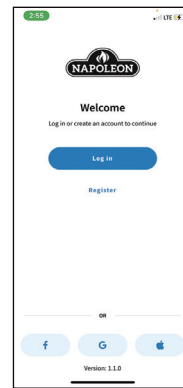
1 DOWNLOAD



Download the **Napoleon Home App** from your app store (Google Play or Apple App Store).

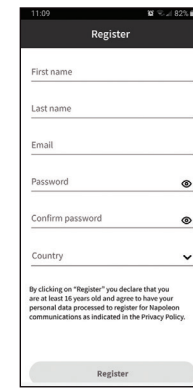
Note: This requires Android 7.0 or iOS 13.0.

2 REGISTER



Register an account with the **Napoleon Home App** OR sign-in using your Facebook, Google, or Apple account information.

3 CREATE



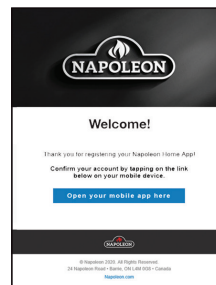
Enter user information and create a password for the account. Select the country in which the appliance is located.

4 ALMOST THERE



The information entered in Step 3 will be registered to the **Napoleon Home App** and a confirmation will be sent to the email provided.

5 CONFIRM



Open email inbox and select the confirmation link.

Note: The confirmation link must be opened on the device that the **Napoleon Home App** is installed on.

6 RE-CONFIRM



If no email is found, click “Re-Send Confirmation Link” and check junk folder.

7.1 adding device

1. Ensure the appliance is plugged in and turned on (**Fig. 1**).
2. Press and hold the FLAME Light Control button on the appliance control panel for 10 seconds (**Fig. 2**).
3. The Fireplace will display P0 on the Display which will indicate the fireplace is searching for a wifi connection. Once connected the display will display P4 and the wifi icon to the left of the display will be illuminated.



note:

Depending on the manufacturing date of the product the fireplace May also display a Blue light as a secondary indication to the display showing P0.

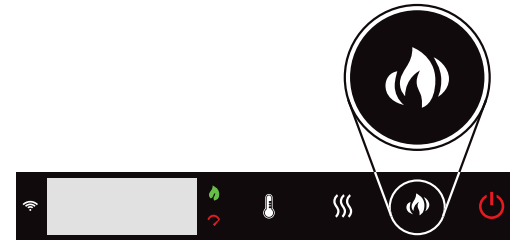


Fig. 1

Fig. 2

4. Select "Add Device" and accept permissions (**Fig. 3 & 4**).

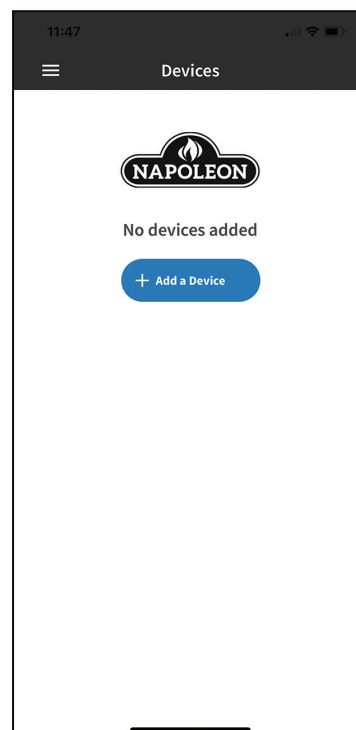


Fig. 3

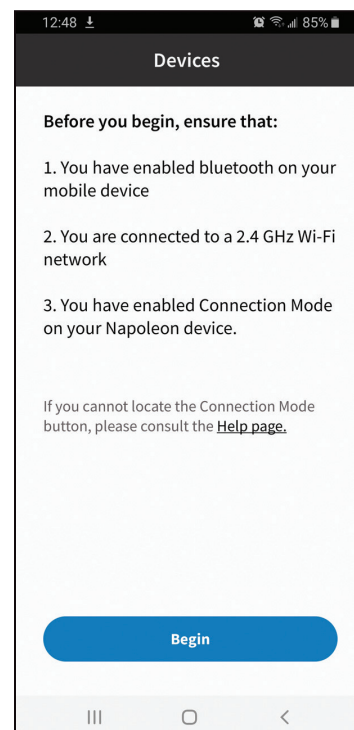


Fig. 4

5. Search for devices and select the device from the list (**Fig. 5 & 6**).

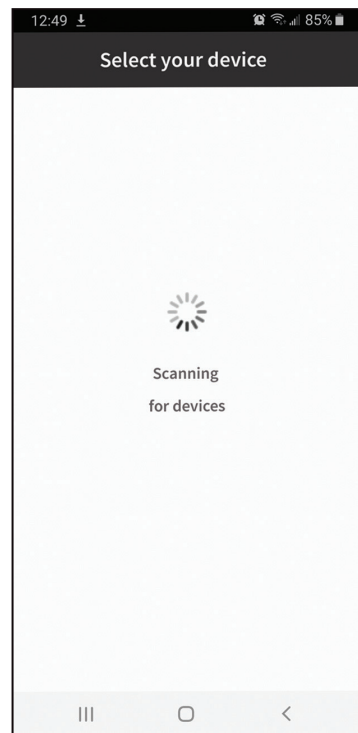


Fig. 5

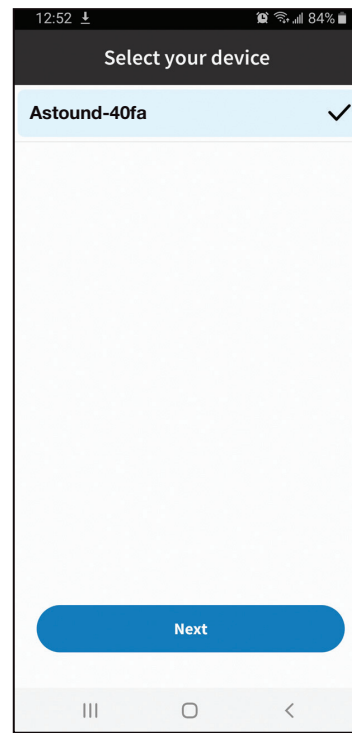


Fig. 6

6. Select desired Wi-Fi and connect by entering the Wi-F password of your home (**Fig. 7 & 8**).
7. Once the appliance has been connected to the access point, it can be given a nickname in order to be more recognizable (**Fig. 9**).

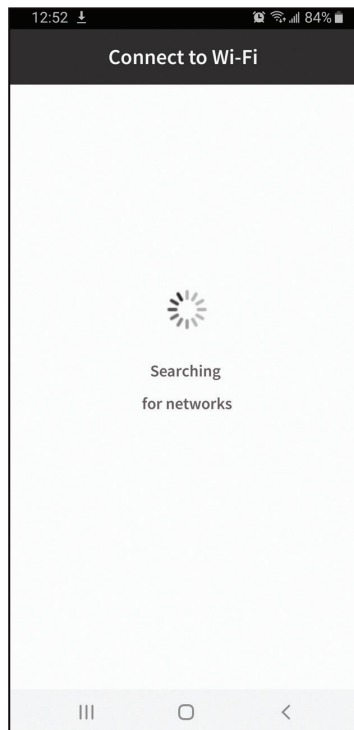


Fig. 7

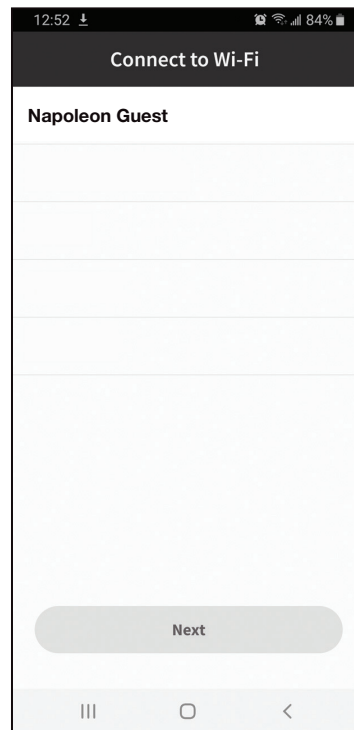


Fig. 8

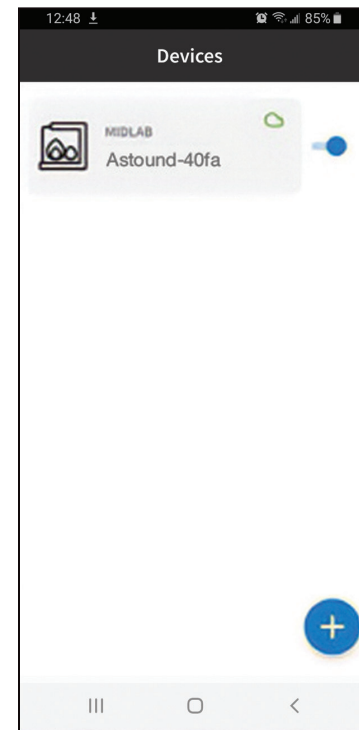
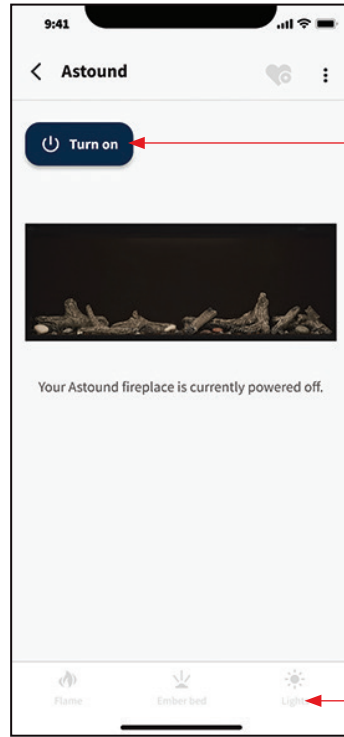


Fig. 9

7.2 using the app

7.2.1 power setting

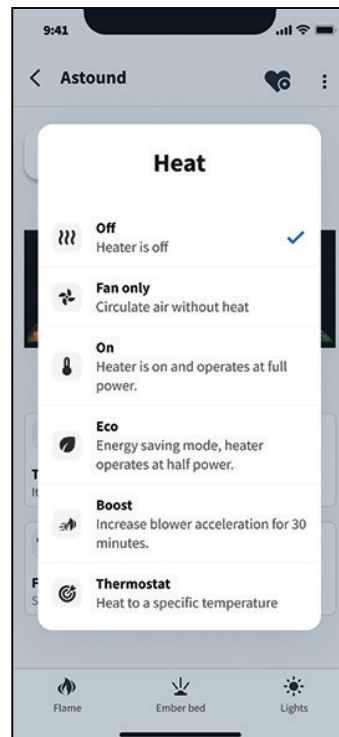
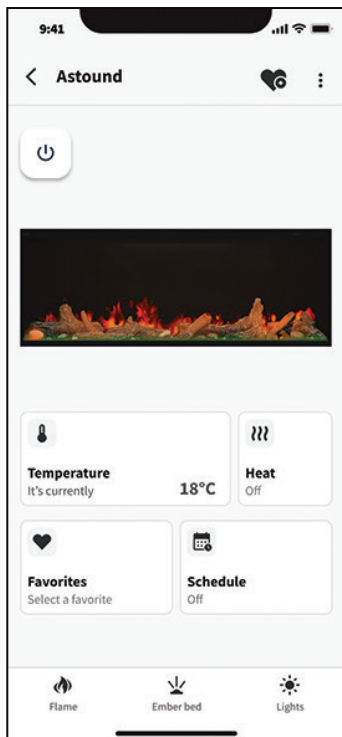


Power Setting:

Press to turn the appliance On and Off.

The brightness settings are not accessible on this home page when the appliance is turned off. When the appliance is turned on, navigate to the bottom tabs to change fireplace display settings.

7.2.2 heat setting

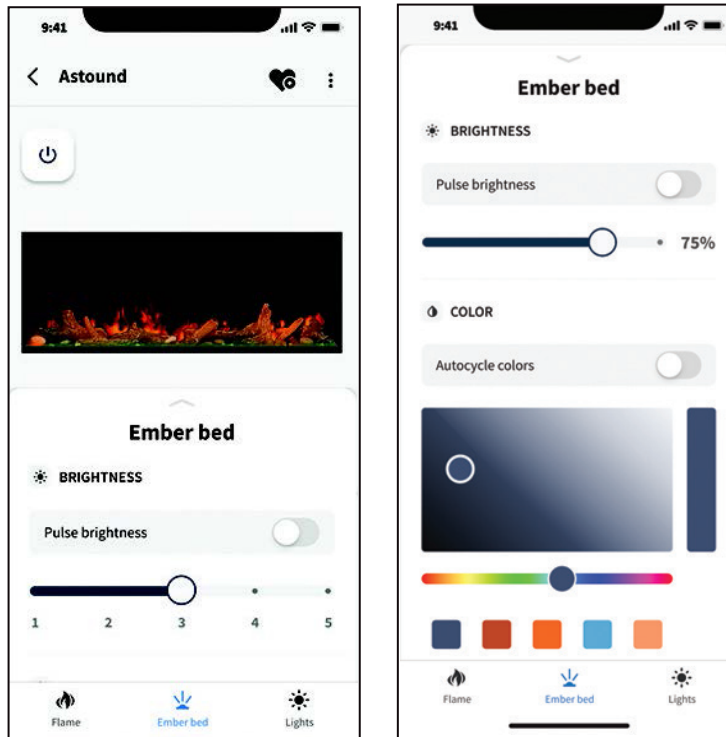


Heat Setting:

The heat setting can be selected through the heat tab on the appliance home page. The current ambient temperature is displayed on the temperature tab and updated to reflect the target temperature when thermostat mode is selected.

Off	No heat.
Fan Only	Turns on only the fan to circulate air without heat.
On	Heater is on and operates at full power.
ECO	Energy saving mode, heater operates at half power.
Boost	Increase blower acceleration for 30 minutes with Heater operates at full power.
Thermostat	Automatically turns the heater ON and OFF to regulate the room temperature to the desired set temperature.

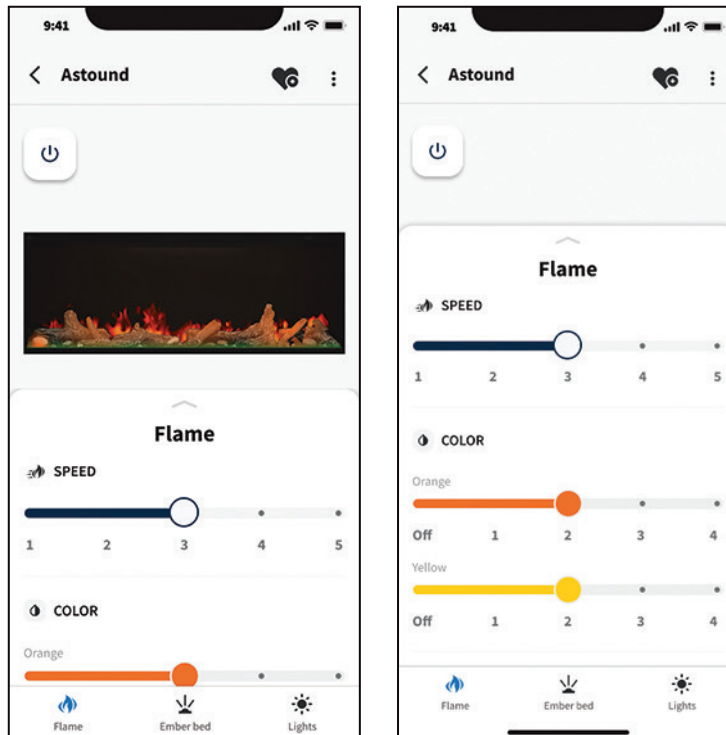
7.2.3 ember bed setting



Ember Bed Setting:

Select the preferred ember bed colours and brightness settings from the list in the ember bed tab or toggle the auto cycle or pulse brightness function on to cycle through all available colours.

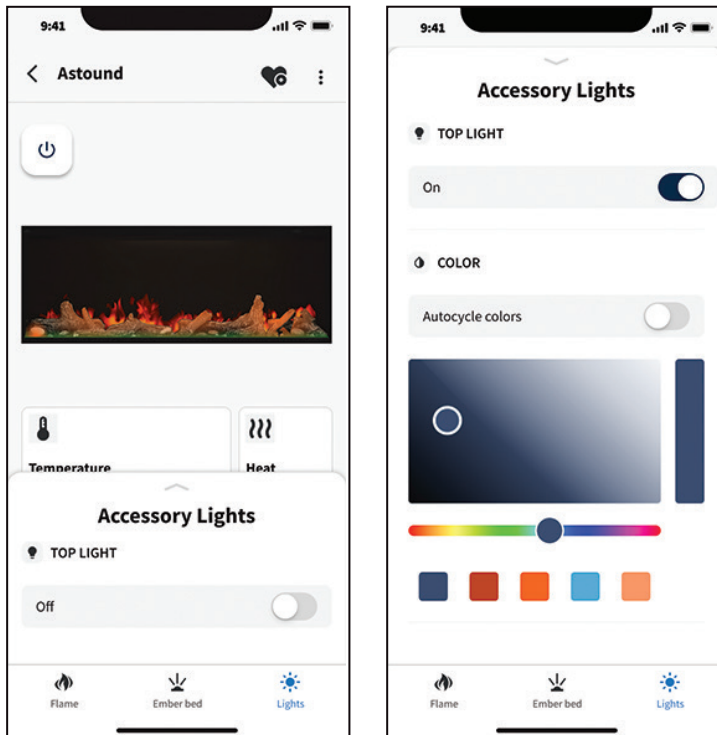
7.2.4 flame setting



Flame Setting:

Control the display of the different flame colours by adjusting the slider for each flame colour. The flame speed can also be adjusted on this page.

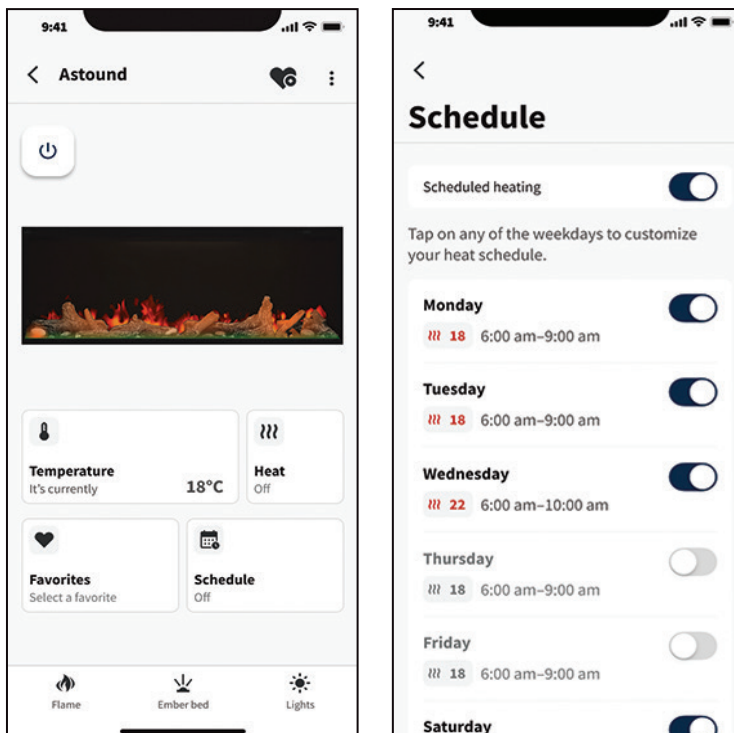
7.2.5 accessory lights settings



Accessory Lights Setting:

The weather display brightness can be controlled in the app either on the home page when the appliance is turned off or the lights bottom tab. The side light is also controlled from the lights tab. Bulb warmth selection and brightness can be modified in this section.

7.2.6 timer settings



Timer Settings:

The timer feature can be accessed on the main page. Select from the list of preset times to set a timer that will power off the appliance once the countdown is complete.

8.0 maintenance

8.1 cleaning

! WARNING

- Always turn the heater off and unplug the power cord from the outlet before cleaning, performing maintenance, or moving this appliance. Failure to do so could result in electric shock, fire, or personal injury.
- Never immerse in water or spray with water. Doing so could result in electric shock, fire, or personal injury.

Metal:

- Buff using a soft cloth, slightly dampened with a citrus oil-based product.
- Do not use brass polish or household cleaners as these products will damage the metal trim.

Glass:

- Use a good quality cleaner sprayed onto the cloth or towel. Dry thoroughly with a paper towel or lint-free cloth.
- Never use abrasive cleaners, liquid sprays, or any cleaner that could scratch the surface.

Vents:

- Use a vacuum or duster to remove dust and dirt from the heater and vent areas.

Plastic:

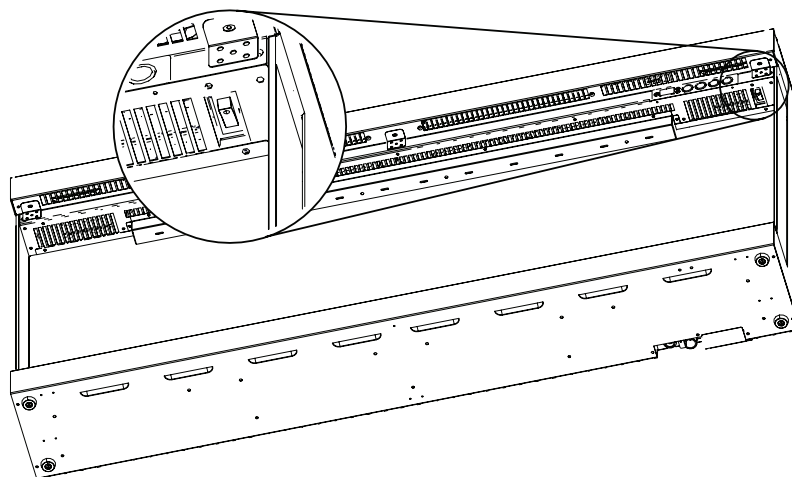
- Wipe gently with a slightly damp cloth and a mild solution of dish soap and warm water.
- Never use abrasive cleaners, liquid sprays, or any cleaner that could scratch the surface.



Batteries must be disposed of according to the local laws and regulations. Some batteries may be recycled, and may be accepted for disposal at your local recycling center. Check with your municipality for recycling instructions.

8.2 heater lockout switch

This fireplace features a switch positioned behind the front glass, underneath the touch panel, serving as an additional mechanism to physically lock out the heater's operation. When activated the display will flash LOC any time the heater function is pressed and not allow the heater to turn on.



9.0 replacement parts

WARNING

- Failure to position the parts in accordance with this manual or failure to use only parts specifically approved with this appliance may result in property damage or personal injury.

Contact your dealer for questions concerning prices and policies on replacement parts. Normally, all parts can be ordered through your Authorized dealer / distributor.

For warranty replacement parts, a photocopy of the original invoice will be required to honour the claim.

When ordering replacement parts always give the following information:

- Model & Serial Number of appliance
- Installation date of appliance
- Part number

- Description of part
- Finish

Parts, part numbers, and availability are subject to change without notice.

Parts identified as stocked will be delivered within 2 to 5 business days for most delivery destinations.

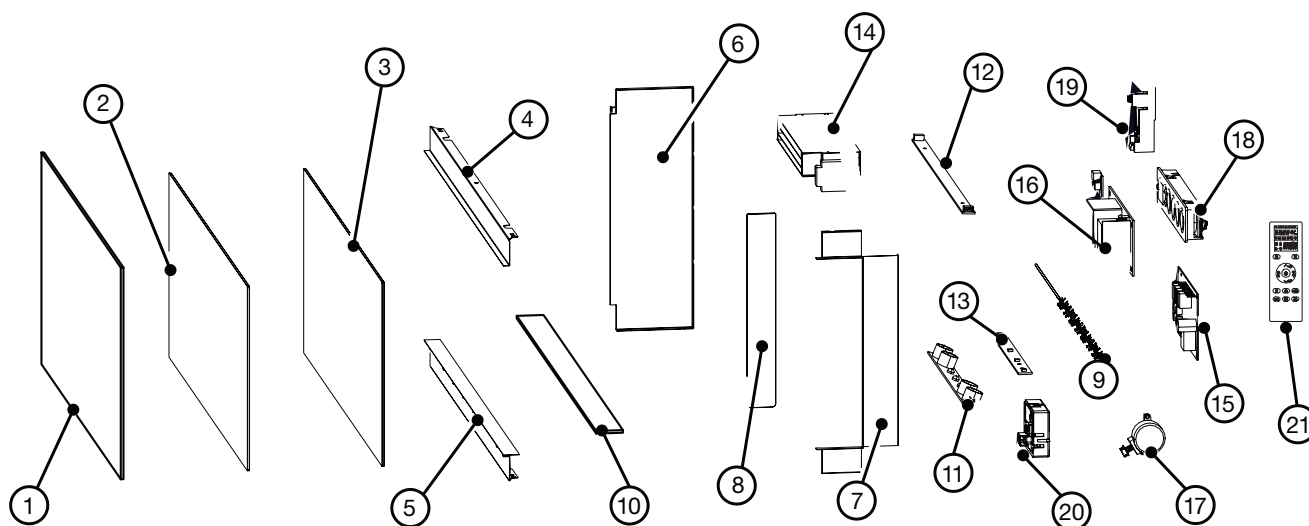
Parts not identified as stocked will be delivered within a 2 to 4 week period, for most cases.

Parts identified as 'SO' are special order and can take up to 90 days for delivery.

9.1 NEFL50/62/74AB

note:

Care must be taken when removing and disposing of any broken glass or damaged components. Be sure to vacuum away any broken glass from inside the appliance before operation.



Items may not appear exactly as illustrated.

No.	Description	NEFL50AB	NEFL62AB	NEFL74AB
1	Front Glass	W300-0441	W300-0442	W300-0443
2	Plastic Flame Panel	W565-0542	W565-0543	W565-0544
3	Glass Flame Panel	W300-0446	W300-0447	W300-0448
4	Top recess Trim	W715-1320	W715-1321	W715-1322
5	Bottom Recess trim	W715-10000207	W715-10000210	W715-10000209
6	Recess Side Panel (closed)	W715-1324 (2)		
7	Recess Side trim (open)	W715-1325 (2)		
8	Side glass Panel	W300-0450 (2)		
9	Reflector	W010-6266	W010-6267	W010-6268
10	Plastic Ember bed	W497-1655	W497-1656	W497-1657
11	Flame LED strip	W405-10000212 (4)	W405-10000212 (5)	W405-10000212 (6)
12	Top LED strip	W405-10000213 (2)	W405-10000213 (2)	W405-10000213 (3)
13	Ember LED strip	W405-10000214 (4)	W405-10000214 (5)	W405-10000214 (6)
14	Heater Blower assembly	W010-10000215 (2)		
15	Main PCB Board	W190-0259		

Table continued on page 48

No.	Description	NEFL50AB	NEFL62AB	NEFL74AB
16	Power Supply PCB	W190-0260		
17	Reflector motor	W435-0090-SER		
18	Touch Control Panel	W190-0261		
19	Remote Receiver	W190-10000217		
20	Temperature Sensor	W190-10000219		
21	Remote Control	W190-0252		
22*	Hardware Kit	W370-0324	W370-0325	W370-0326
23*	Wire Harness	W750-0541	W750-0542	W750-0543
24*	Wifi module PCB	W010-6212		
25*	120V/240V Protection PCB	W190-10000220		
26*	PCB Filter	W190-10000221		

* Part not illustrated.

(#) Number in brackets indicates total number of parts in the fireplace. Order quantity is based on actual Service requirements.

10.0 troubleshooting

WARNING

- Turn off the appliance completely and let cool before servicing. Only a qualified service person should service and repair this electric appliance.

symptom	problem	solution
Appliance will not come on when power button/switch is put into the "on" position.	Appliance is not plugged into an electrical outlet.	Check plug, and plug in the appliance if necessary.
	Hard wire connections are not correct.	See "hard-wiring installation" section.
	Appliance has overheated and safety thermal switch has tripped.	Unplug power or turn off the circuit breaker, allow appliance to cool for 15 minutes, then plug in the appliance or turn the breaker on.
	Main PCB board issue.	Inspect the circuit board and replace, if necessary.
Appliance turns off and will not turn on.	House circuit breaker has tripped.	Reset house circuit breaker.
	Appliance's fuse has blown.	Replace the fuse.
	Appliance has overheated and safety thermal switch has tripped.	Unplug power or turn off the circuit breaker, allow appliance to cool for 15 minutes to reset the thermal switch, then plug in the appliance or turn the breaker on.
Appliance has returned to default settings.	Power failure.	Re-program appliance to original settings (not applicable with all appliances).
Remote control does not work.	Low/dead batteries.	Replace batteries in remote control.
	Remote receiver malfunction.	Ensure remote receiver is not blocked. Replace control panel.
No warm air coming out of the appliance.	Heater setting not selected.	See "operation" section.
	Heater has been locked out.	See "operation" section.
	Room temperature is higher than appliance setting (if set to room temperature).	Reset temperature setting.
	Appliance has overheated and safety thermal switch has tripped.	Unplug power or turn off the circuit breaker. Allow for appliance to cool for 15 minutes.
	Hard wire connections are not correct.	See "hard-wiring installation" section.
	Heater issue.	Inspect the blower and heater and replace, if necessary.
Heater shuts off automatically.	Room is too warm.	The heater has a built-in thermostat so it will shut off automatically once the pre-set temperature is reached. It will also turn on automatically if the room temperature drops below the pre-set temperature.

symptom	problem	solution
Dim or no flame	Flame brightness not selected.	See “operation” section.
	Flame LEDs issue.	Inspect the LED and replace, if necessary.
	Main PCB board issue.	Inspect the main PCB board and replace, if necessary.
Flame does not move.	Motor is stalled/malfunctioning.	Cycle on/off. If problem persists, consult dealer.
Ember bed is not glowing or dimming.	Brightness not selected.	See “operation” section.
	Ember LED issue.	Inspect the ember bed LEDs and replace, if necessary.
	Main PCB board issue.	Inspect the main PCB board and replace, if necessary.
LED flashing “OH”.	Appliance has overheated and safety thermal switch has tripped.	Unplug power or turn off the circuit breaker. Allow appliance to cool for 15 minutes, then plug in the appliance or turn the breaker on. If problem persists, consults your dealer.
LED flashing “E-1”.	Error code for temperature sensor.	Consult local service dealer.
		Inspect / replace temperature sensor.
LED flashing “E-2”.	Error code for blower.	Consult local service dealer.
		Inspect wire harness / replace blower and heater assembly.
LED flashing “E-3”.	Error code for heater	Consult local service dealer.
		Inspect wire harness / replace blower and heater assembly.
LED Flashing “WIN”	Open Window Notification	The fireplace has detected that the room temperature has dropped significantly while the heater is on, indicating that a door or window in the room is open and the fireplace is no longer heating effectively and has turned off the heater to conserve electricity. Press and hold “X” and “OK” on remote while pointing at the fireplace, or use the Napoleon Home App to reset the alert notification. If the problem persists, consult your dealer.
Appliance will not turn ON and Long Continuous BEEP when Power On / Plugged in.	120/240V Protection PCB has detected a fault in supply connection.	Consult local Service Dealer.
		Inspect the Hard wire Supply connection.

11.0 warranty

Napoleon electric appliances are manufactured under the strict Standard of the world recognized ISO 9001 : 2015 Quality Management System.

Napoleon products are designed with superior components and materials and assembled by trained craftsmen who take great pride in their work. Once assembled, the complete appliance is thoroughly inspected by a qualified and authorized installer, service agency, or supplier before packing to ensure that you, the customer, receive the quality product that you expect from **Napoleon**.

Napoleon Electric Appliance Premium Warranty

Electrical components and wearable parts are covered and **Napoleon** will provide replacement parts free of charge during the first 2 years of premium warranty. This covers: fan/heaters, motors, switches, nylon bearing components, remote controls, and LED lights.* Light bulbs and fuses are NOT covered by the warranty.

In the first year only, any labour related to warranty repair is covered.

* Construction of models vary. Warranty applies only to components included with your specific appliance.

Conditions and Limitations

Napoleon warrants its products against manufacturing defects to the original purchaser only. Registering your warranty is not necessary. Simply provide your proof of purchase along with the model and serial number to make a warranty claim. Provided that the purchase was made through an authorized **Napoleon** dealer, your appliance is subject to the following conditions and limitations:

Warranty coverage begins on the date of original installation.

This factory warranty is non-transferable and may not be extended whatsoever by any of our representatives.

Installation must be done in accordance with the installation instructions included with the product and all local and national building and fire codes.

This premium warranty does not cover damages caused by misuse, lack of maintenance, accident, alterations, abuse, or neglect and parts installed from other manufacturers will nullify this warranty.

This premium warranty further does not cover any scratches, dents, corrosion, or discolouring caused by excessive heat, abrasive and chemical cleaners, nor chipping on porcelain enamel parts, mechanical breakage of PHAZER™ logs.

In the first 2 years only, this warranty extends to the repair or replacement of warranted parts which are defective in material or workmanship, provided that the product has been operated in accordance with the operation instructions and under normal conditions.

After the first year, **Napoleon** will not be responsible for installation, labour, or any other expenses related to the reinstallation of a warranted part, and such expenses are not covered by this warranty. Notwithstanding any provisions contained in the Premium Warranty, **Napoleon** responsibility under this warranty is defined as above, and it shall not in any event extend to any incidental, consequential, or indirect damages.

This warranty defines the obligations and liability of **Napoleon** with respect to the **Napoleon** electric appliance and any other warranties expressed or implied with respect to this product; its components or accessories are excluded.

Napoleon neither assumes, nor authorizes any third party to assume, on its behalf, any other liabilities with respect to the sale of this product.

Any damages to appliance, brass trim or other component due to water, weather damage, long periods of dampness, condensation, damaging chemicals, or cleaners will not be the responsibility of **Napoleon**.

Napoleon reserves the right to have its representative inspect any product or part thereof prior to honouring any warranty claim.

All parts replaced under the Premium Warranty Policy are subject to a single claim.

All parts replaced under the warranty will be covered for a period of 90 days from the date of their installation.

The manufacturer may require that defective parts or products be returned or that digital pictures be provided to support the claim. Returned products are to be shipped prepaid to the manufacturer for investigation. If a product is found to be defective, the manufacturer will repair or replace such defect.

Before shipping your appliance or defective components, your dealer must obtain an authorization number. Any merchandise shipped without authorization will be refused and returned to sender.

Shipping costs are not covered under this warranty.

Additional service fees may apply if you are seeking warranty service from a dealer.

All specifications and designed are subject to change without prior notice due to on-going product improvements.

Napoleon is a registered trademark of Wolf Steel Ltd.



NAPOLEON CELEBRATING OVER 40 YEARS OF HOME COMFORT PRODUCTS



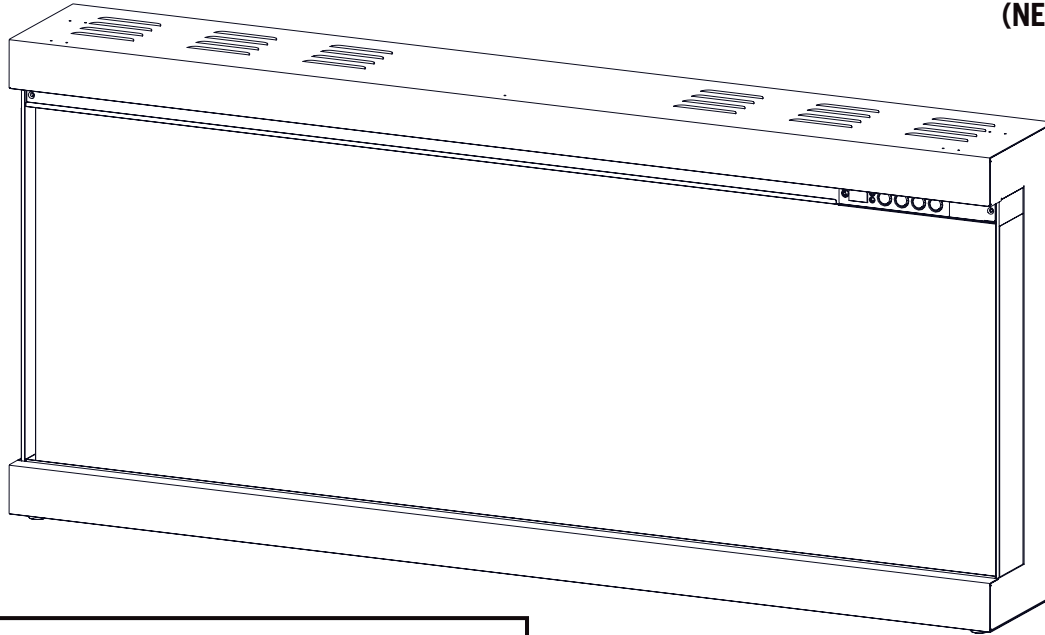
7200, Route Transcanadienne, Montréal, Québec H4T 1A3
24 Napoleon Road, Barrie, Ontario, Canada L4M 0G8
214 Bayview Drive, Barrie, Ontario, Canada L4N 4Y8
103 Miller Drive, Crittenden, Kentucky, USA 41030
De Riemsdijk 22, 4004 LC Tiel, The Netherlands

Phone: 1-866-820-8686
napoleon.com



MANUEL D'INSTALLATION ET D'OPÉRATION

Série Astound FlexMount (NEFL50AB Illustré)



CONSIGNES DE SÉCURITÉ

⚠ AVERTISSEMENT

RISQUE D'INCENDIE OU D'EXPLOSION

Si ces instructions ne sont pas suivies à la lettre, un incendie pourrait s'ensuivre causant des dommages matériels, des blessures corporelles ou des pertes de vie.

- * N'entreposez pas et n'utilisez pas d'essence ou autres liquides et vapeurs inflammables à proximité de cet appareil ou tout autre appareil.

INSTALLATEUR:

Laissez ce manuel avec l'appareil

PROPRIÉTAIRE:

Conservez ce manuel pour consultation ultérieure.

Pour l'utilisation intérieur seulement

**Certifié SELON LES NORMES NATIONALES
CANADIENNES ET AMÉRICAINES:
CSA 22.2 No. 46 / ul 1278**



Wolf Steel Ltd., 24 Napoleon Rd., Barrie, ON, L4M 0G8 Canada / 103 Miller Drive, Crittenden, Kentucky, USA, 41030
Téléphone 1 (866) 826 8686 • www.napoleon.com • hearth@napoleon.com

AVERTISSEMENT

- **Si équipé avec un chauffage, cet appareil peut être chaud lorsqu'il fonctionne et peut causer de graves brûlures en cas de contact.**
- Ne faites pas fonctionner l'appareil avant d'avoir lu et compris les instructions d'utilisation. L'incapacité de respecter les instructions pourrait causer un incendie ou des blessures corporelles.
- N'installez pas de composants endommagés ou incomplets, ni des composants de substitution.
- Ne brûlez pas de bois ou autres matériaux dans cet appareil.
- Tous les appareils électriques contiennent des composants internes qui deviennent chauds et qui produisent des étincelles. N'utilisez pas cet appareil dans des endroits où de l'essence, des peintures ou d'autres liquides inflammables sont présents.
- Les grillages de sécurités ou écrans enlevés pour faire l'entretien devront être remis en place avant d'utiliser l'appareil.
- Il est primordial de garder propres les compartiments de contrôle, les brûleurs, la soufflerie, les bouches d'air de l'appareil ainsi que le système d'évacuation. L'appareil et son système d'évacuation doivent être inspectés avant la première utilisation et au moins une fois l'an par un spécialiste en entretien. Un entretien plus fréquent pourrait être nécessaire en raison des peluches provenant des tapis, literie, etc. L'emplacement de l'appareil doit être gardé libre de tous matériaux combustibles, essence ou autres liquides et vapeurs inflammables.
- Cet appareil ne devra être modifié en aucun cas.
- N'utilisez pas cet appareil si une partie quelconque a été submergée. Contactez immédiatement un technicien de service qualifié pour inspecter l'appareil et pour remplacer toute pièce du système de contrôle qui aurait été submergée.
- Si équipé avec une porte vitrée, n'opérez pas l'appareil lorsque la porte vitrée est enlevée, fissurée ou brisée. Le remplacement de la vitre devra être effectué par un technicien de service certifié ou qualifié.
- Si équipé avec un porte vitrée, ne frappez pas et ne claquez pas la porte vitrée de l'appareil.
- Les matériaux d'emballage doivent être gardés hors de la portée des enfants et mis au rebut de façon sécuritaire. Comme tous les emballages de plastique, ceux-ci ne sont pas des jouets et doivent demeurer hors de la portée des enfants et des bébés.
- L'entretien ne doit être effectué que lorsque l'appareil est débranché du circuit électrique.
- Débranchez toujours l'appareil lorsqu'il n'est pas utilisé.
- N'utilisez pas l'appareil si le cordon d'alimentation ou la fiche sont endommagés, s'il ne fonctionne pas bien, ou s'il a été échappé ou endommagé d'une quelconque façon. Retournez l'appareil à un centre de service autorisé pour une inspection, des ajustements électriques ou mécaniques ou une réparation.
- N'utilisez pas cet appareil à l'extérieur.
- Lorsque vous installez cet appareil dans une pièce où l'eau est présente, l'installation doit se

note:

Cet appareil NE PEUT PAS être installé dans une salle de bain.

conformer aux codes reconnaissant le risque accru de décharge électrique et d'électrocution.

- Ne passez pas le cordon d'alimentation sous un tapis. Ne recouvrez pas le cordon avec des carpettes, des tapis de couloir ou autres revêtements similaires. Évitez de placer le cordon dans un endroit passant ou à un endroit où il risque de causer des chutes.
- Branchez seulement dans une prise de courant adéquatement mise à la terre.
- N'insérez pas d'objets dans les ouvertures d'entrée d'air ou de sortie d'air puisque cela risque d'endommager l'appareil ou causer des chocs électriques ou un incendie.
- Il est normal que votre appareil électrique produise du bruit, surtout s'il est installé dans un endroit calme comme un chambre à coucher.

AVERTISSEMENT

- Pour prévenir les risques d'incendie, ne bloquez pas les entrées d'air et les sorties d'air de quelque manière que ce soit. Ne placez pas cet appareil sur une surface molle telle qu'un tapis où les ouvertures pourraient se bloquer.
 - Branchez toujours les appareils directement dans une prise murale. N'utilisez jamais de rallonge électrique ou ne déplacez pas la prise de courant (multiprise/prise électrique).
 - Cet appareil a été testé et homologué pour usage avec les accessoires optionnels listés dans ce manuel uniquement. L'utilisation d'accessoires optionnels qui n'ont pas été spécifiquement testés pour cet appareil électrique annulera la garantie de l'appareil et/ou présentera des risques pour la sécurité.
- Pour les appareils équipés avec chauffage:**
- Risque de brûlures. L'appareil doit être éteint et refroidi avant d'effectuer l'entretien. Pour débrancher l'appareil, mettez d'abord les boutons de contrôle à « OFF » puis retirez la fiche de la prise de courant.
 - Les jeunes enfants doivent être supervisés attentivement lorsqu'ils sont dans la même pièce que l'appareil recommandés s'il y a dans la maison des individus à risque. Les jeunes enfants et autres personnes sont sujets aux brûlures accidentelles. Une barrière de protection est recommandée s'il y a dans la maison des individus à risque. Afin de restreindre l'accès à l'appareil, installez une barrière de protection ajustable pour garder les jeunes enfants ou autres personnes à risque hors de la pièce et loin des surfaces chaudes.
 - Les vêtements et autres matériaux combustibles ne doivent pas être posés sur l'appareil ou à proximité.
 - En raison des températures élevées, l'appareil devrait être placé loin des endroits passants et loin des meubles et des rideaux.
 - Assurez-vous de disposer de mesures de sécurité adéquates pour empêcher les jeunes enfants de toucher aux surfaces chaudes.
 - Même lorsque l'appareil est éteint, la porte et l'écran demeureront chauds pendant un bon moment.
 - Consultez votre détaillant local de foyer pour connaître les grillages de sécurité et les écrans offerts pour protéger les enfants des surfaces chaudes. Ces grillages de sécurité et ces écrans doivent être fixés au plancher.
 - Assurez-vous de respecter les dégagements aux matériaux combustibles lorsque vous installez un manteau ou des tablettes au-dessus de l'appareil. Les téléviseurs et autres composants électroniques soumis à des températures élevées peuvent fondre, se déformer, se décolorer et entraîner des défaillances prématurées de ces appareils.

 AVERTISSEMENT: Ce produit peut vous exposer à des substances chimiques incluant le plomb et les composés de plomb qui, selon l'État de Californie, causeraient le cancer, et des substances chimiques incluant le BBP et DEHP qui, selon l'État de Californie, causeraient des malformations congénitales ou autres dangers pour la reproduction. Pour de plus amples renseignements, visitez le www.P65Warnings.ca.gov.

Cet appareil est conforme à la partie 15 des règles de la FCC. Son fonctionnement est soumis aux deux conditions suivantes : 1) cet appareil ne doit pas causer d'interférences nuisibles, et 2) cet appareil doit accepter toutes les interférences reçues, y compris celles pouvant entraîner un fonctionnement indésirable. Toute modification non expressément approuvée par la partie responsable de la conformité pourrait annuler l'autorité de l'utilisateur pour utiliser l'équipement.

NOTE: Cet équipement a été testé et jugé conforme aux limites applicables aux appareils numériques de Classe B, conformément à la Partie 15 des règles de la FCC. Ces limites sont conçues pour offrir une protection raisonnable contre les interférences nuisibles dans une installation résidentielle. Cet équipement génère, utilise et peut émettre des radiofréquences, et s'il n'est pas installé et utilisé conformément aux instructions, il peut provoquer des interférences nuisibles aux communications radio. Cependant, il n'existe aucune garantie que des interférences ne se produiront

pas dans une installation particulière.

Si cet équipement provoque des interférences nuisibles à la réception radio ou télévision, ce qui peut être déterminé en allumant et en éteignant l'équipement, il est recommandé à l'utilisateur de tenter de corriger les interférences en suivant une ou plusieurs des mesures suivantes :

- Réorienter ou déplacer l'antenne de réception.
- Augmenter la distance entre l'équipement et le récepteur.
- Brancher l'équipement sur une prise de courant située sur un circuit différent de celui auquel le récepteur est connecté.
- Consulter le revendeur ou un technicien radio/TV expérimenté pour obtenir de l'aide.

NOTE: Cet appareil et ses antennes ne doivent pas être placés à proximité ou utilisés en conjonction avec une autre antenne ou un autre émetteur.

1.0 information générale	58
1.1 dimensions	58
1.2 approbation de la cotation	59
1.3 instructions générales	59
1.4 déballage et test de l'appareil	60
1.5 liste de pièces	61
1.6 information à propos de la plaque d'homologation	61
1.7 emplacement de l'étiquette	62
2.0 installation	63
2.1 vue d'ensemble	63
2.2 dégagements minimaux du manteau	66
2.3 installation murale	67
2.4 installation partiellement encastrée	70
2.4.1 cadrage grossier	70
2.4.2 préparation de l'unité	71
2.5 application intégrée	72
2.5.1 installation de la garniture / du panneau	72
2.5.2 cadrage grossier	74
2.5.3 installation encastrée	75
3.0 informations électriques	76
3.1 Installation par câblage 120 V.	77
3.2 Installation du câblage 240 V	78
3.3 installation du contrôleur mural optionnel	78
4.0 finition	79
4.1 matériel de finition	79
4.2 installation des médias	80
4.2.1 Ensemble de journaux de plage et de médias de forêt	80
4.3 pose et dépose de la vitre frontale	81
5.0 schéma de câblage	82
5.1 schéma de câblage NEFL50AB	82
5.2 schéma de câblage NEFL62AB	83
5.3 schéma de câblage NEFL74AB	84
6.0 fonctionnement	85
6.1 panneau de commande	85
6.2 télécommande de fonctionnement	86
6.3 operating optional wall mount controller	89
7.0 connexions napoléon	90

7.1	dispositif d'ajout	91
7.2	utiliser l'application	93
7.2.1	réglage de la puissance	93
7.2.2	réglage de la chaleur	93
7.2.3	réglage du lit de braises	94
7.2.4	réglage de la flamme	94
7.2.5	réglages des lumières accessoires	95
7.2.6	réglages de la minuterie	95
8.0	entretien	96
8.1	nettoyage	96
8.2	Le commutateur de verrouillage du chauffage	96
9.0	pièces de rechange	97
9.1	NEFL50/62/74AB	98
10.0	dépannage	100
11.0	garantie	102

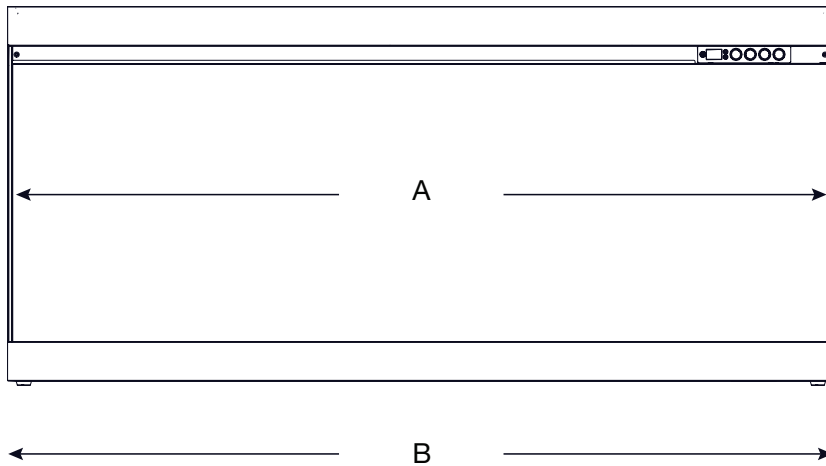
note:

L'information contenue dans ce manuel est jugée correcte au moment de l'impression. Wolf Steel Ltée. se réserve le droit de modifier ou de modifier toute information contenue dans ce manuel à tout moment sans préavis. Les modifications, autres que les éditoriaux, sont désignées par une ligne verticale dans la marge.

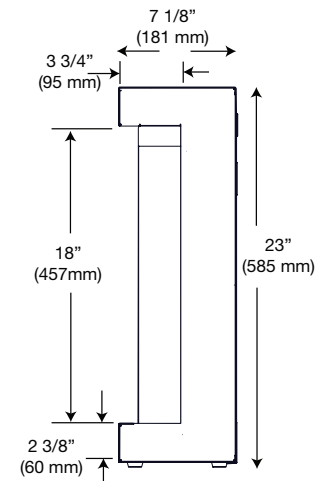
1.0 information générale

1.1 dimensions

vue de face



vue de côté



vue de dessus



Dimensions		
N° de Modèle	A (largeur intérieure)	B (largeur extérieure)
NEFL50AB	49 11/16"	50"
	1262 mm	1270 mm
NEFL62AB	61 11/16"	62"
	1567 mm	1575 mm
NEFL74AB	73 11/16"	74"
	1872 mm	1880 mm

1.2 approbation de la cotation

N° de Modèle	Poids net	Poids brut
NEFL50AB	74.5 lbs (33.8 kg)	117.9 lbs (53.5 kg)
NEFL62AB	88.2 lbs (40 kg)	137.8 lbs (62.5 kg)
NEFL74AB	103 lbs (46.7 kg)	160 lbs (72.6 kg)

Description	Appareil Électrique
Type	Cheminée électrique murale
Tension	120V AC / 240V AC *
Watts	MAX 1500W / 3000W *
Amps	Circuit dédié de 15 AMP avec mise à la terre

Cet appareil a été testé conformément aux normes CSA pour les appareils électriques fixes et dédiés à une pièce aux États-Unis et au Canada. Si vous avez

besoin d'aide lors de l'installation, veuillez contacter votre revendeur local.

note:

Cet appareil doit être électriquement câblé et mis à la terre conformément aux codes locaux ou, en l'absence de codes locaux, avec la dernière édition d'ANSI/NFPA 70 du National Code Électrique aux États-Unis ou le Code Canadien de l'Électricité CSA C22.1 au Canada.

1.3 instructions générales

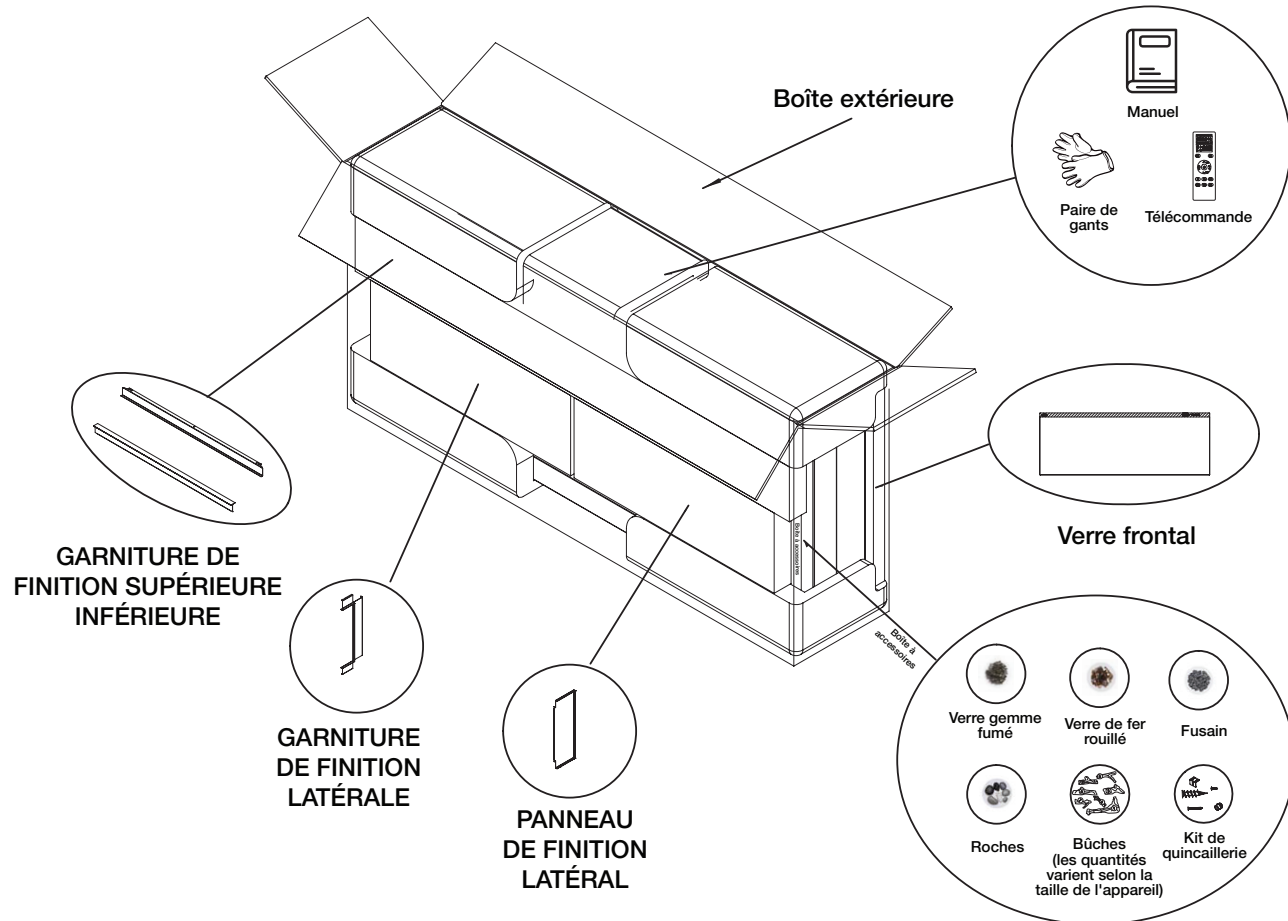
- Avant de brancher votre appareil sur une prise électrique, veuillez vérifier que les disjoncteurs de la maison pour cette prise sont activés.
- L'appareil peut émettre une légère odeur inoffensive lors de sa première utilisation. Cette odeur est normale et est causée par le chauffage initial des éléments internes de l'appareil. Elle ne se reproduira pas par la suite.
- Si votre appareil ne produit pas de chaleur lorsque vous l'allumez, veuillez consulter la section "fonctionnement" de ce manuel pour obtenir des informations supplémentaires.

Cet appareil électrique répond aux normes de construction et de sécurité de H.U.D. (Department of Housing and Urban Development) pour une utilisation dans les maisons préfabriquées lorsque installé selon ces instructions.

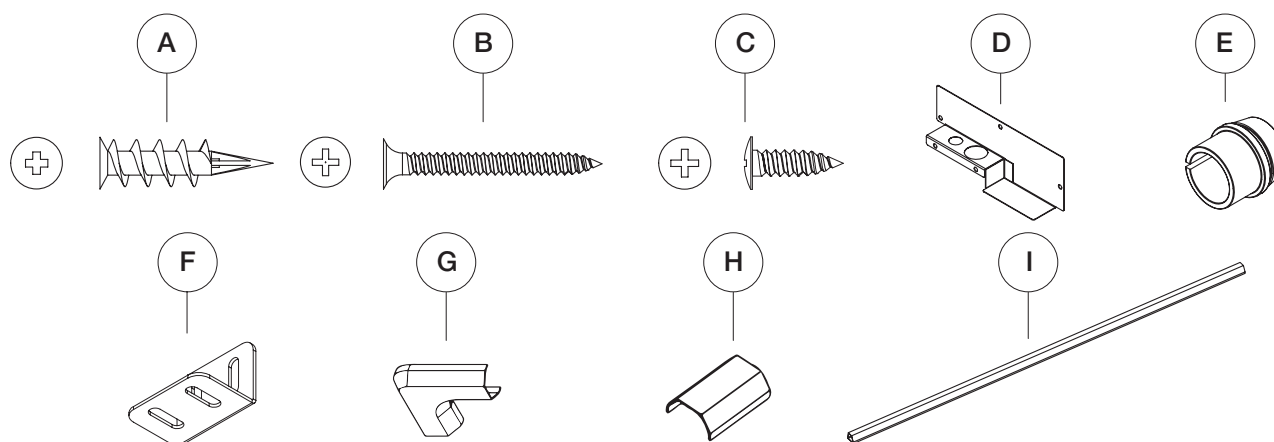
Comme c'est le cas avec la plupart des appareils électroniques, votre nouvel appareil électrique a été conçu pour fonctionner à des températures comprises entre 5°C (41°F) et 35°C (95°F). Pendant les mois d'hiver plus froids, veuillez à laisser l'appareil atteindre la température ambiante avant de le mettre en marche.

1.4 déballage et test de l'appareil

Assurez-vous de déballer cet appareil avec deux personnes. Référez-vous à la liste du matériel (voir section "Liste du matériel") pour vous préparer à l'installation.



1.5 liste de pièces



Liste de pièces				
Objet	Description	Quantité		
		NEFL50AB	NEFL62AB	NEFL74AB
A	Ancrages pour cloisons sèches de 45 mm	7		
B	Vis à bois #6 35mm	7		
C	ST4-12 Vis à métaux	18	18	24
D	Plaque de recouvrement de la boîte de jonction	1		
E	Soulagement de la tension	1		
F	Support	5	5	7
G	Coin de cordon	2		
H	Connecteur du couvercle du cordon	2		
I	Couvercle du cordon	2		

1.6 information à propos de la plaque d'homologation

Cette illustration est à titre d'illustration seulement. Consultez la plaque d'homologation pour obtenir l'information précise.

CERTIFIED UNDER CANADIAN AND AMERICAN NATIONAL STANDARD: CSA 22.2 NO. 46 AND UL 2021 / HOMOLOGUÉ SELON LES NORMES NATIONALES CANADIENNES ET AMÉRICAINES: CSA 22.2 NO. 46 UL 2021

ELECTRIC FIREPLACE. SUITABLE FOR BEDROOM AND BED-SITTING ROOM INSTALLATION. SUITABLE FOR MOBILE HOME INSTALLATION.

FOYER ÉLECTRIQUE. HOMOLOGUÉ POUR INSTALLATION DANS UNE CHAMBRE À COUCHER, UNE SALLE DE BAIN ET UN STUDIO. APPROPRIÉ POUR INSTALLATION DANS UNE MAISON MOBILE.

MASTER CONTRACT: 161746

NEFL50AB
 NEFL62AB
 NEFL74AB

CONTRAT-CADRE: 161746

CEFL50AB
 CEFL62AB
 CEFL74AB

MODEL / MODÈLE

VOLTAGE: 120/240VAC **TENSION: 120/240VAC**
FREQUENCY: 60Hz **FRÉQUENCE: 60Hz**
POWER 1500/3000W **PUISSANCE: 1500/3000W**
DATE CODE: XXXXX **CODE DE DATE: XXXXX**

DESIGNED IN NORTH AMERICA DÉSIGNÉ EN AMÉRIQUE DE NORD PAR WOLF STEEL LTD.
 BY WOLF STEEL LTD. FABRIQUÉ EN CHINE
 MADE IN CHINA

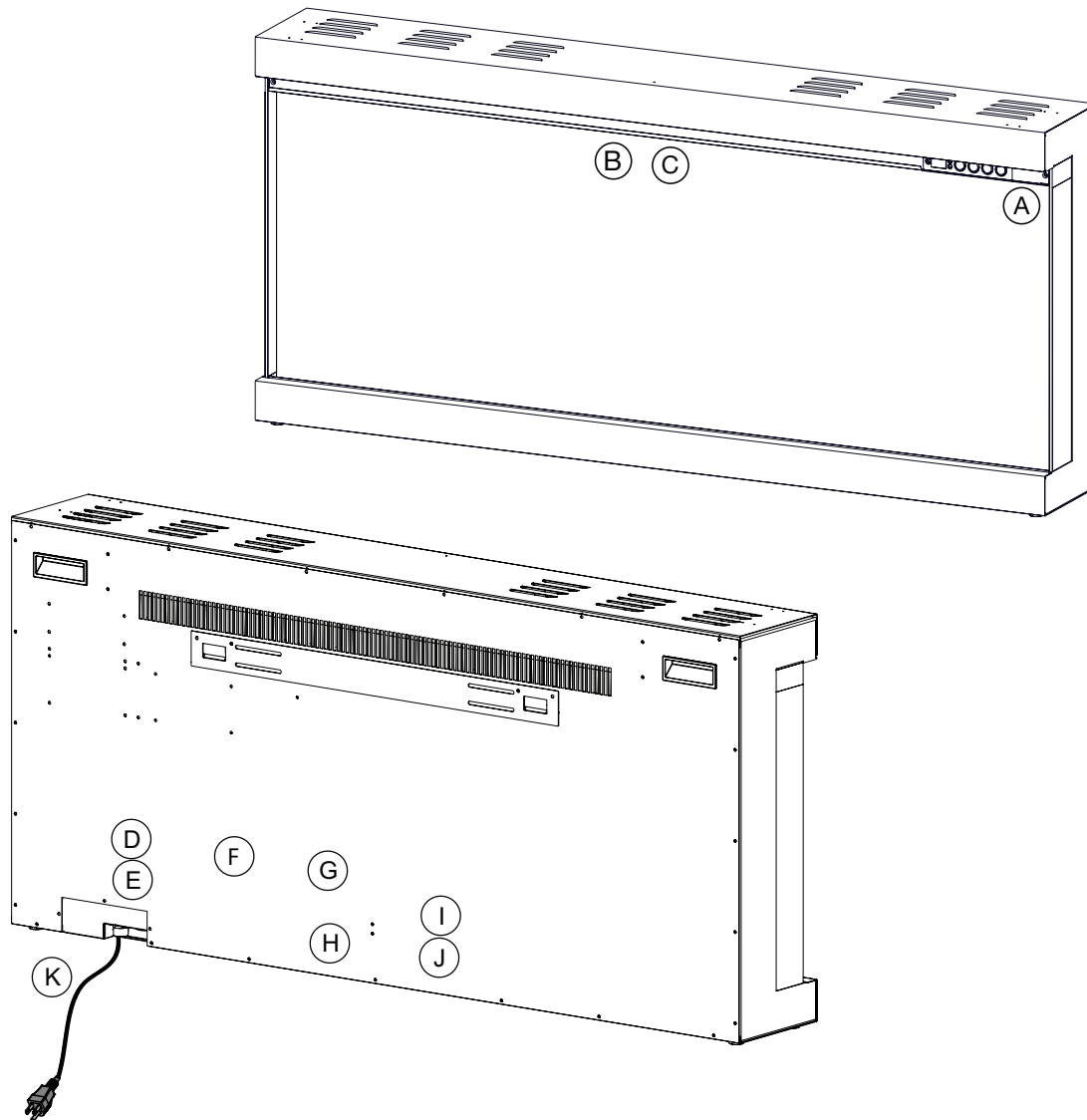
WOLF STEEL LTD.
 24 NAPOLEON ROAD,
 BARRIE, ON, L4M 0G8 CANADA

SERIAL NUMBER/NO. DE SÉRIE: NEFLXXAB W385-4601

note:

La plaque d'homologation doit resté avec l'appareil à tous les temps. Elle ne doit pas être enlevée.

1.7 emplacement de l'étiquette



Liste des étiquettes

A	Modèle, numéro de série et DSN Wi-Fi	G	Schéma de câblage
B	Étiquette "Ne pas couvrir"	H	Étiquette d'avertissement
C	Étiquette de surface chaude	I	Plaque d'évaluation
D	Câblage dur à 120 V	J	Étiquette de mise en garde
E	Câblage dur à 240 V	K	Étiquette du cordon
F	Étiquette FCC		

2.0 installation

2.1 vue d'ensemble

AVERTISSEMENT

- Risque d'incendie! Le cordon d'alimentation ne doit pas être coincé contre une arrête vive. Fixez le cordon pour éviter les chutes ou les accrochages afin de réduire le risque d'incendie, de choc électrique ou de blessures corporelles. Ne passez pas le cordon d'alimentation sous un tapis. Ne recouvrez pas le cordon avec des carpettes, des tapis de couloir ou autres revêtements similaires. Disposez le cordon loin des zones de passage pour éviter de trébucher.
- Risque d'incendie! Pour prévenir les risques d'incendie, ne bloquez pas les entrées d'air et les sorties d'air de quelque manière que ce soit. Ne placez pas cet appareil sur une surface molle où les ouvertures pourraient se bloquer.
- Risque d'incendie! Ne soufflez pas ou ne placez pas d'isolant contre l'appareil.
- Cet appareil électrique a été testé et homologué pour usage avec les accessoires optionnels listés dans ce manuel uniquement. L'utilisation d'accessoires optionnels qui n'ont pas été spécifiquement testés pour cet appareil électrique annulera la garantie de l'appareil et/ou présentera des risques pour la sécurité.
- Si ces instructions ne sont pas suivies à la lettre, un incendie ou une explosion pourraient s'ensuivre, causant des dommages matériels, des blessures corporelles ou des pertes de vie. N'entreposez pas et n'utilisez pas d'essence ou autres vapeurs inflammables à proximité de cet appareil ou tout autre appareil.
- Cet appareil est lourd. Il est fortement recommandé que deux personnes le installent pour des raisons de sécurité.
- Si votre appareil est équipé d'un chauffage, assurez-vous que les événements du chauffage ne sont en aucun cas obstrués, car cela pourrait créer un risque d'incendie.

Cet appareil est conçu comme un appareil monté au mur qui peut également être encastré dans une enceinte. Sélectionnez un endroit approprié qui ne soit pas susceptible d'être humide et qu'il soit éloigné des rideaux, des meubles, et des zones à fort trafic.

note:

Suivez tous les codes électriques nationaux et locaux.

En raison des nombreux matériaux différents utilisés sur différentes parois, il est fortement recommandé de consulter votre entrepreneur local avant d'installer cet appareil.

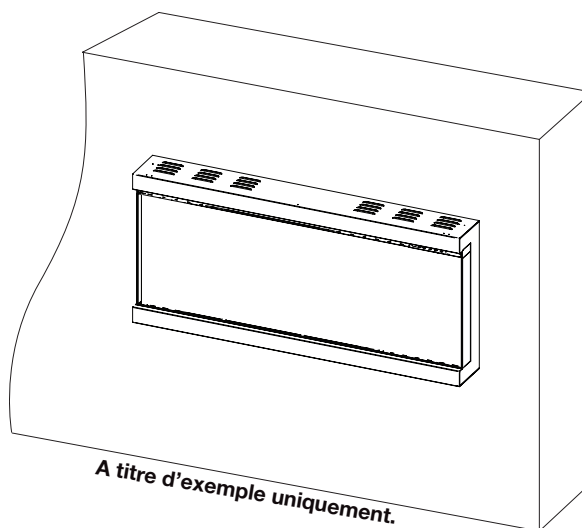
Cet appareil peut être installé dans plusieurs configurations. Il peut être suspendu au mur,

partiellement encastré dans le mur, complètement encastré dans le mur (un seul côté) à l'extrémité d'un mur (2 côtés) ou dans un encadrement en saillie "bay" (3 côtés).

5. Choisissez un emplacement qui n'est pas sujet à l'humidité et qui se trouve à au moins 36 pouces (91,4 cm) des matériaux combustibles tels que les rideaux, les meubles, la literie, le papier, etc.
6. L'installation se compose de 6 étapes majeures : la charpente brute, l'installation de l'unité, le câblage électrique, le matériau de finition, le média de la cheminée, puis l'installation du verre et des garnitures. Chaque étape doit être complétée avant de passer à la suivante pour réaliser une installation sans problème et éviter d'endommager le produit ou l'enceinte.

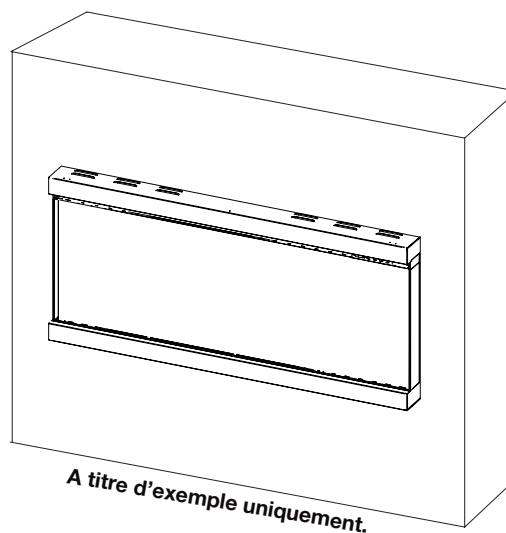
Montage mural installation

- L'appareil est monté sur le mur à l'aide d'un support.
- Vues de l'avant, de la gauche et de la droite.
- Branché sur une source électrique de 120 V.



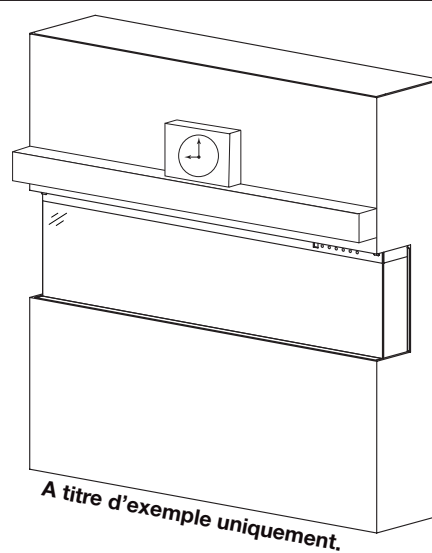
Installation en retrait partiel

- L'appareil est monté dans un mur peu profond.
- L'appareil dépassera vers l'extérieur.
- Peut être raccordé en filaire soit à 120 V ou 240 V.
- Vues de l'avant, de la gauche et de la droite.



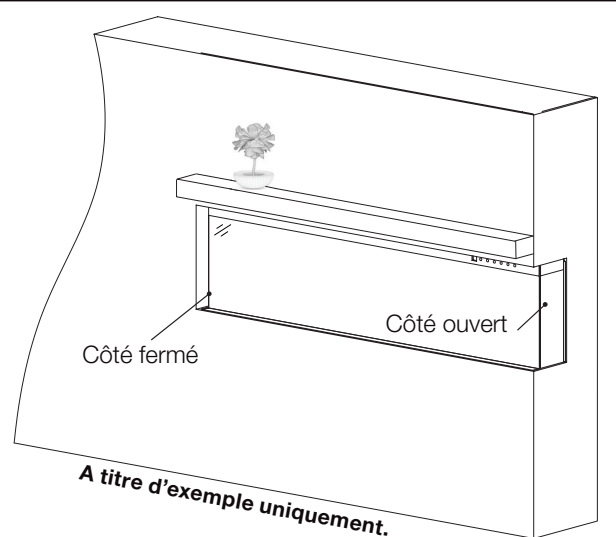
Installation avec Vue à Trois Côtés

- L'appareil est complètement encastré dans le mur avec les deux côtés ouverts.
- Vues de l'avant, de la gauche et de la droite.



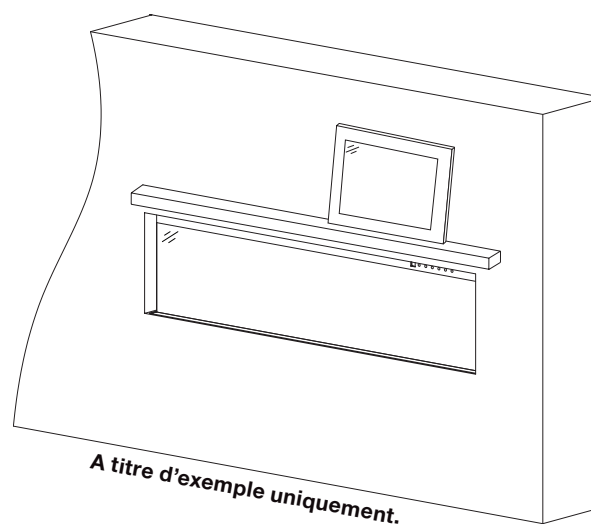
Installation avec vue des deux côtés (deux côtés ouverts)

- L'appareil est entièrement encastré dans le mur avec un côté ouvert.
- Vue de face et vue latérale gauche/droite, en fonction des côtés ouverts/fermés souhaités.



Installation avec vue d'un seul côté

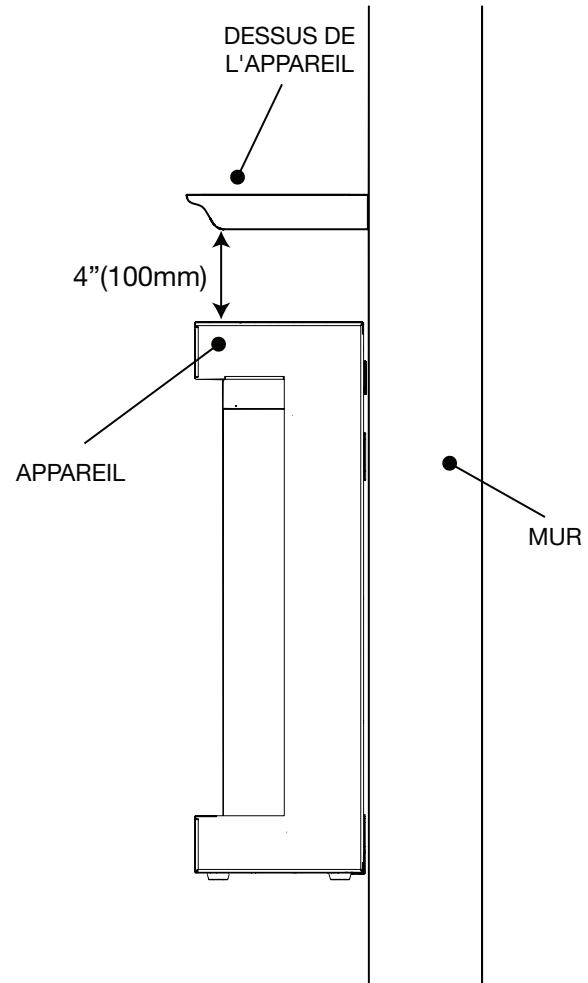
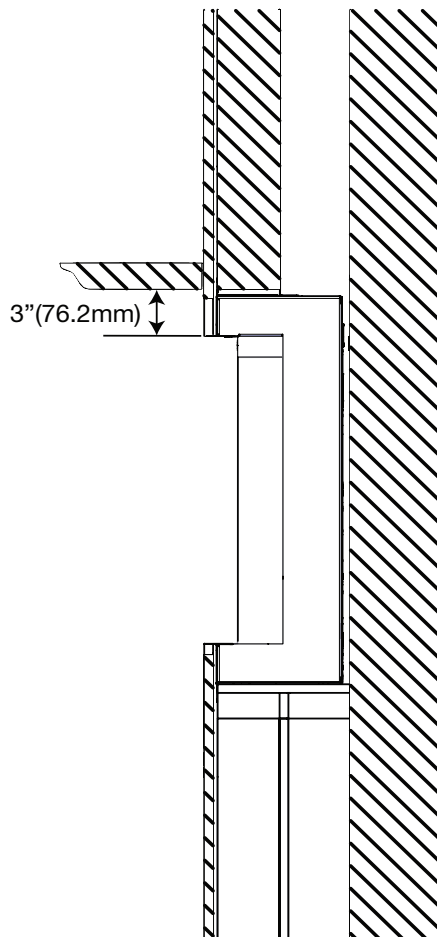
- L'appareil est entièrement encastré dans le mur avec un seul côté ouvert.
- Vue de face **uniquement**.
- Les vues latérales gauche et droite sont couvertes.



2.2 dégagements minimaux du manteau

! AVERTISSEMENT

- La peinture ou la laque utilisée pour la finition de la cheminée doit être résistante à la chaleur afin d'éviter les décolorations.



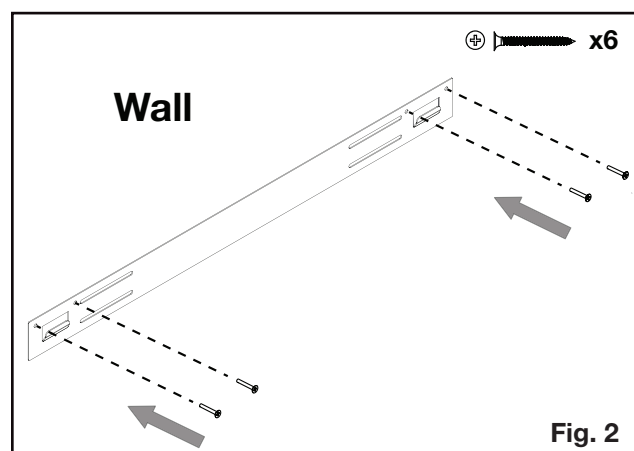
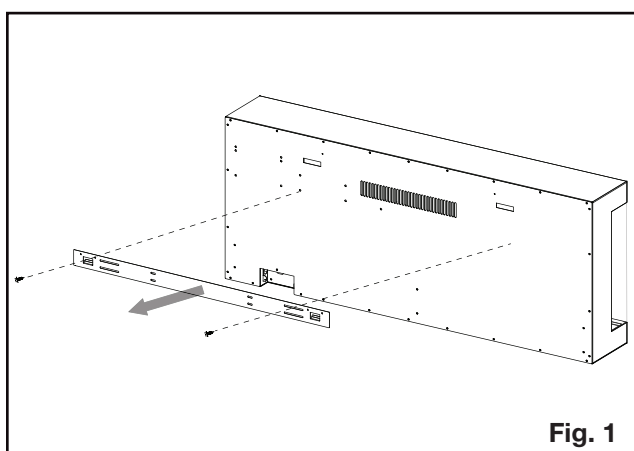
2.3 installation murale

En raison de la diversité des matériaux utilisés sur les différents murs, il est fortement recommandé de consulter votre constructeur local avant d'installer cet appareil sur le mur.

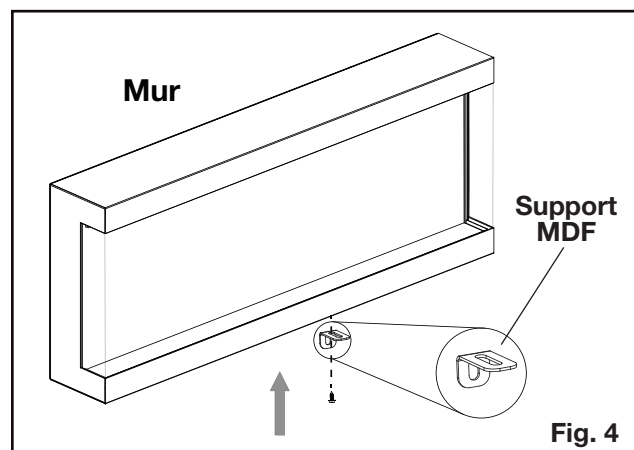
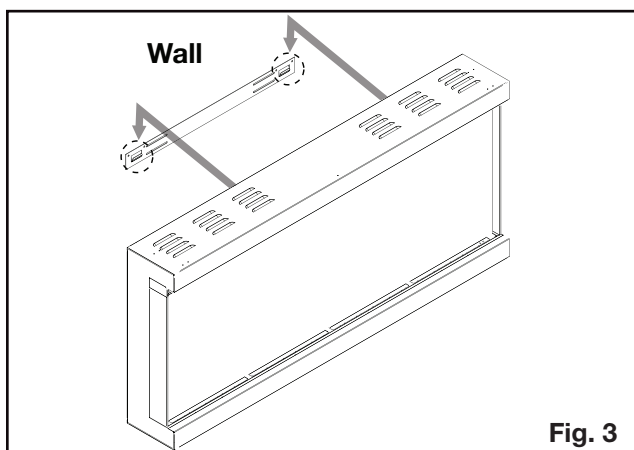
1. Choisissez un emplacement qui n'est pas sujet à l'humidité et qui est situé à au moins 36" (91,4 cm) des matériaux combustibles, tels que les rideaux, les meubles, la literie, le papier, etc.
2. Demandez à deux personnes de tenir l'appareil contre le mur pour déterminer son emplacement définitif.
3. Placez l'appareil face vers le bas sur une surface douce et non abrasive. Retirez le support à l'arrière de l'appareil en enlevant les vis (**Fig. 1**). Mettez le support de côté et jetez les vis.
4. Marquez l'emplacement, puis fixez le support au mur à l'aide des vis (fournies). Les crochets de ce support DOIVENT être orientés vers le haut et il DOIT être de niveau (**Fig. 2**).

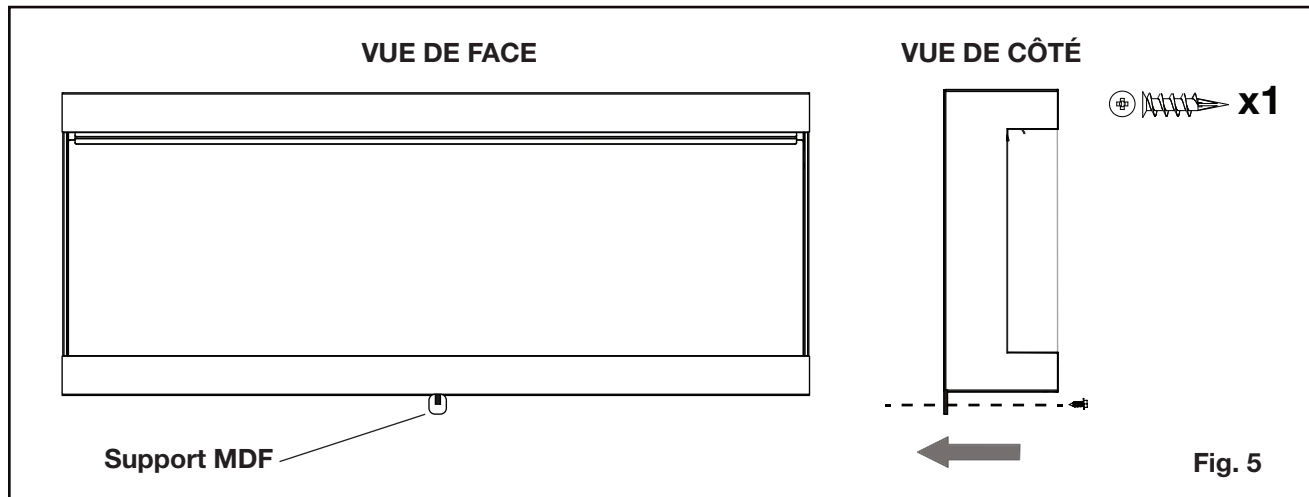
note:

Il est fortement recommandé de visser le support de montage dans les montants du mur lorsque cela est possible. S'il n'est pas possible d'utiliser les montants du mur, assurez-vous que les chevilles en plastique fournies sont utilisées pour fixer le support au mur et que le support est correctement fixé.

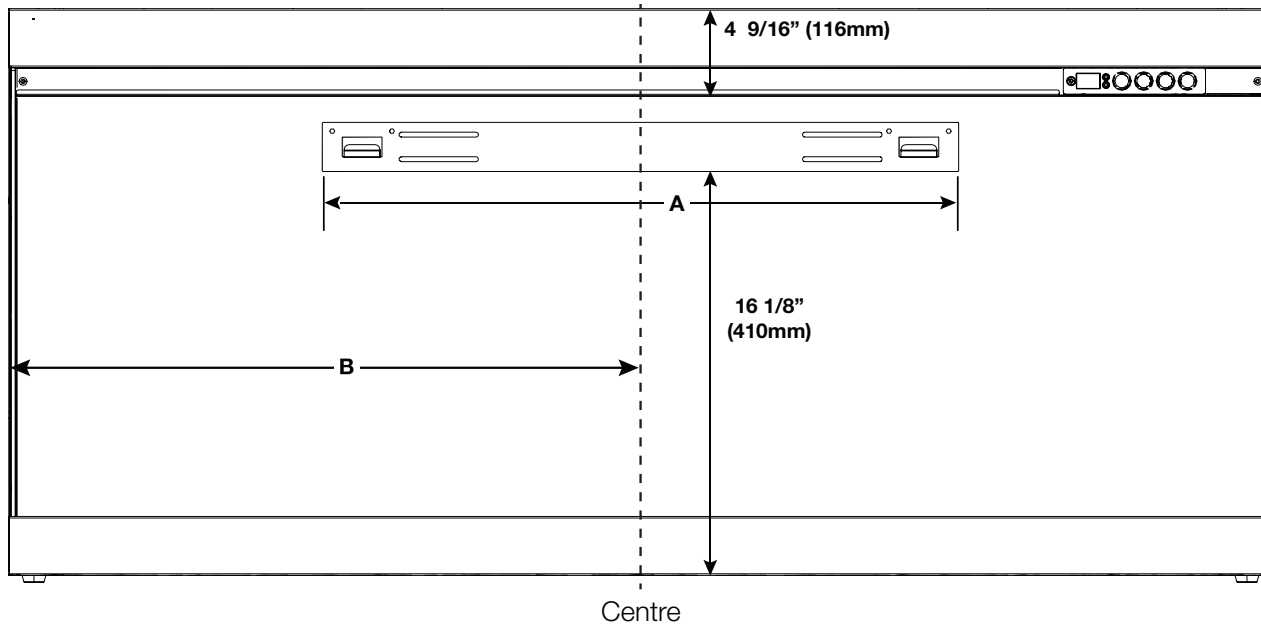


5. Une fois le support de fixation murale installé, demandez à deux personnes de soulever l'appareil et d'insérer les crochets du support dans les fentes situées à l'arrière de l'appareil (**Fig. 3**).
6. Installez le support MDF (fourni) au bas de l'appareil en retirant la vis existante non peinte au centre de l'appareil et en la réinstallant avec le support MDF (**Fig. 4**).

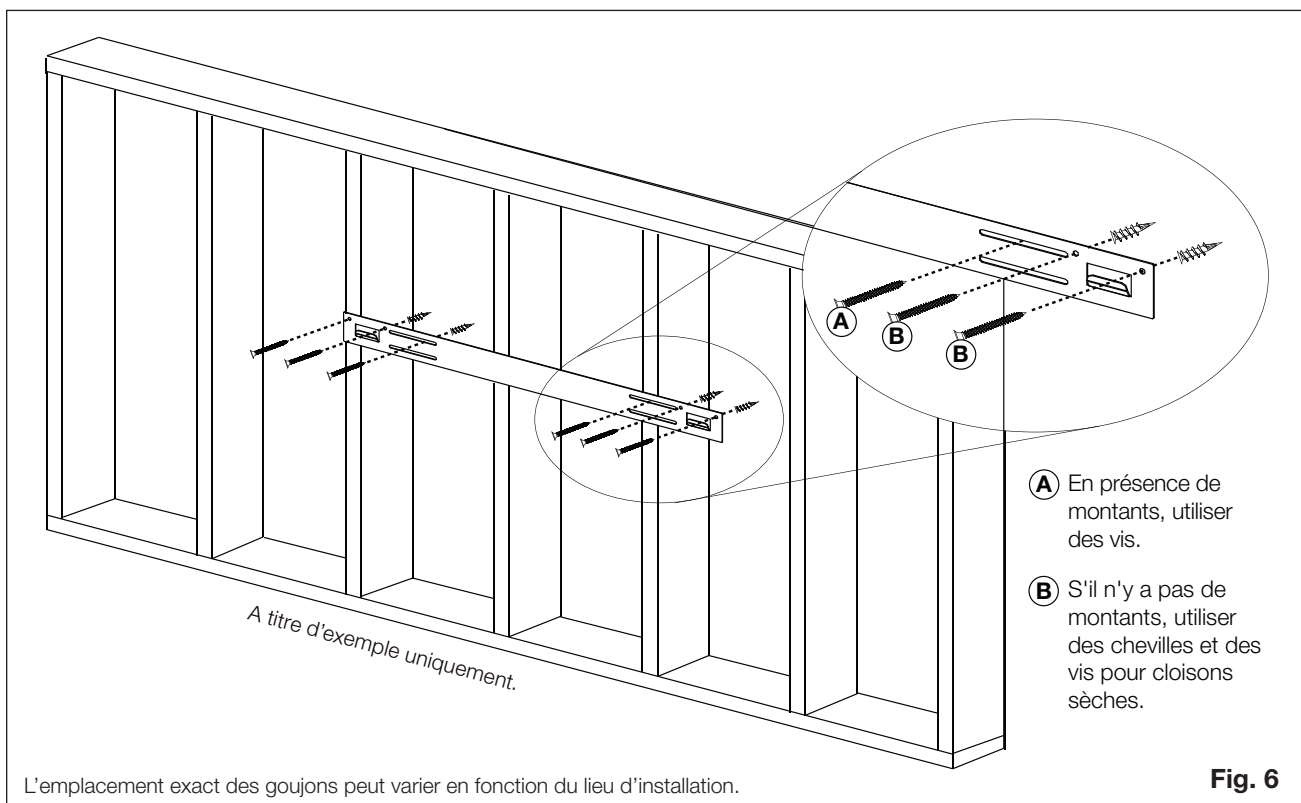




7. Une fois le support MDF fixé à l'appareil, fixez le support MDF au mur à l'aide d'une vis (**Fig. 5**).
8. Vérifiez la stabilité de l'appareil, en vous assurant que le support ne se détache pas du mur (**Fig. 6**).
9. Installez le support (voir la section "Installation du support"). **Vous devez terminer cette étape avant de passer à l'étape suivante.**
10. Installer la vitre frontale (voir la section "installation/dépose de la vitre frontale").

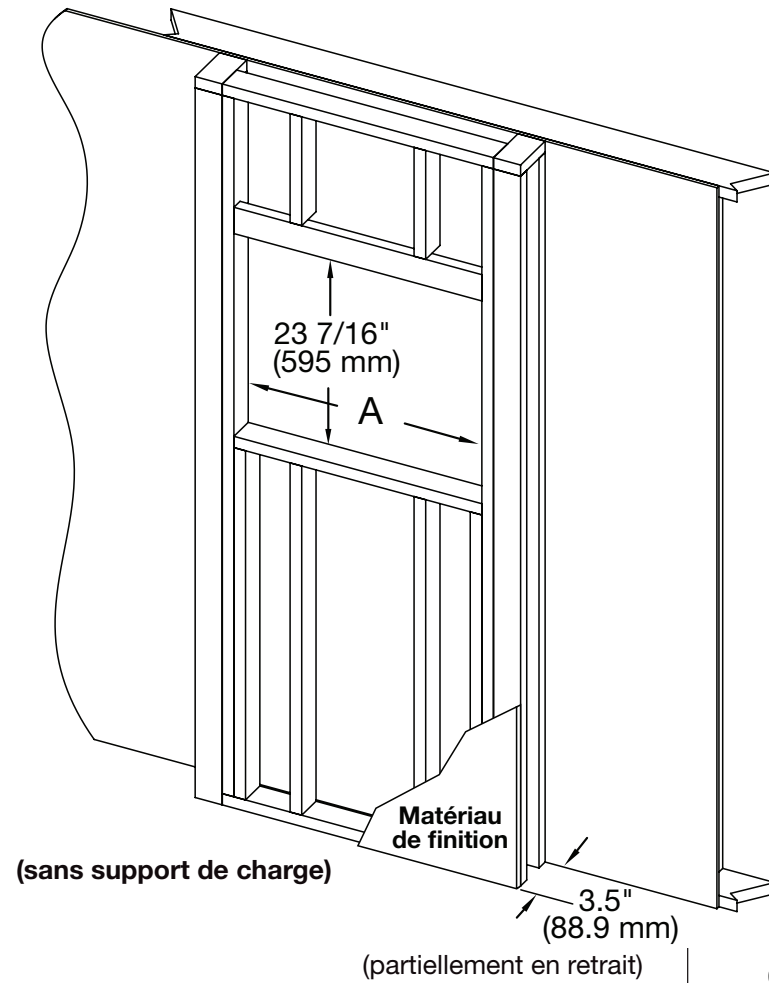


Modèle	A	B
NEFL50AB	25.2" (640 mm)	25" (635 mm)
NEFL62AB	25.2" (640 mm)	31" (788 mm)
NEFL74AB	42.17" (1071 mm)	36" (940 mm)

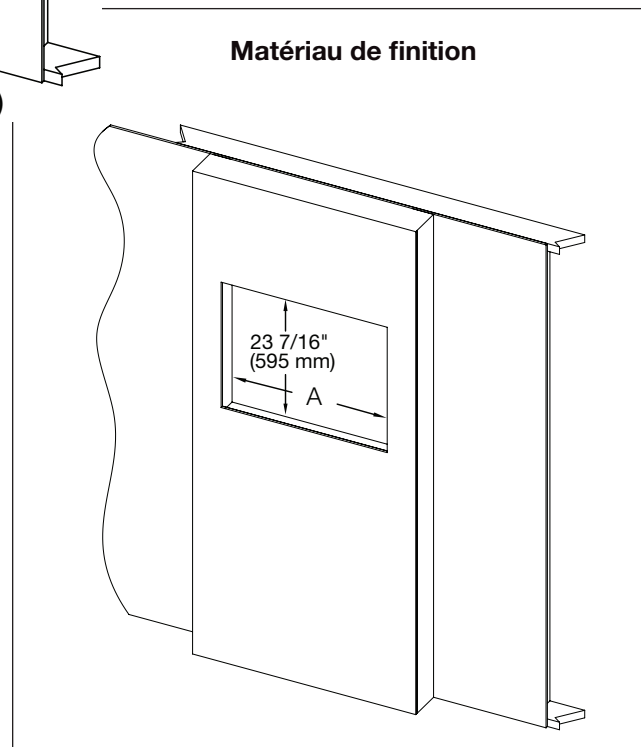


2.4 installation partiellement encastrée

2.4.1 cadrage grossier

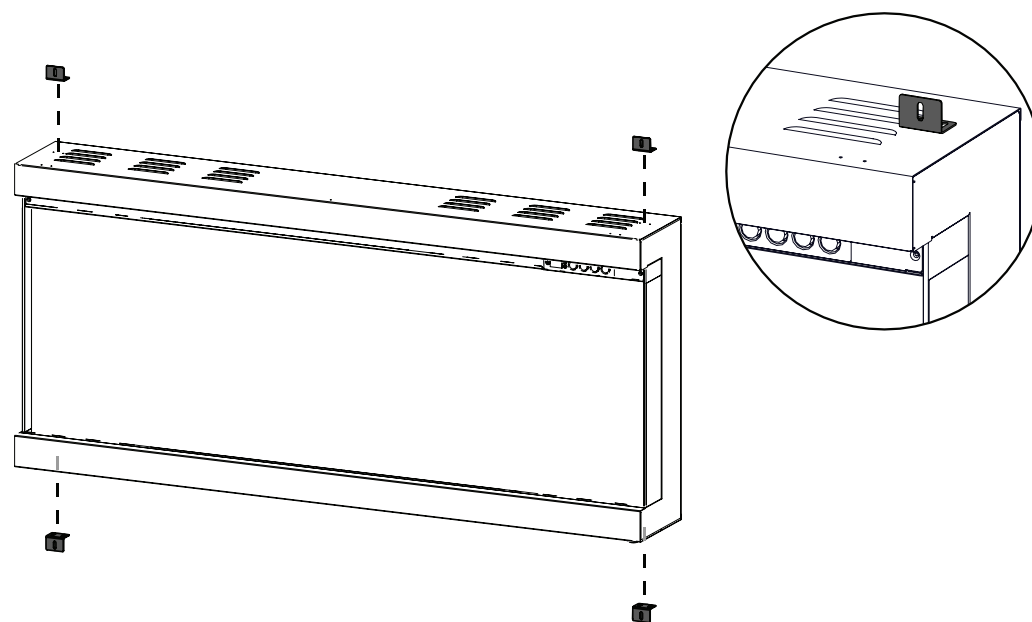


Modèle	A
NEFL50AB	50 1/2" (1283 mm)
NEFL62AB	62 1/2" (1588 mm)
NEFL74AB	74 1/2" (1892 mm)



2.4.2 préparation de l'unité

1. Assurez-vous que la vitre avant est retirée de l'appareil avant l'installation Préparation (voir retrait de la vitre avant).
2. Placez l'appareil face vers le HAUT sur une surface douce et non abrasive.
3. Installez les supports métalliques dans le jeu de trous le plus en arrière sur le dessus du foyer à l'aide des vis et des rondelles (fournies).
4. Retirez le cordon d'alimentation et terminez le câblage (voir la section "Installation du câblage").



5. Insérez l'appareil dans l'ossature brute en fixant les vis (fournies) à travers les trous fendus de chaque support de fixation de l'appareil dans l'ossature brute. **(Fig. 7).**
6. Passez à la finition.

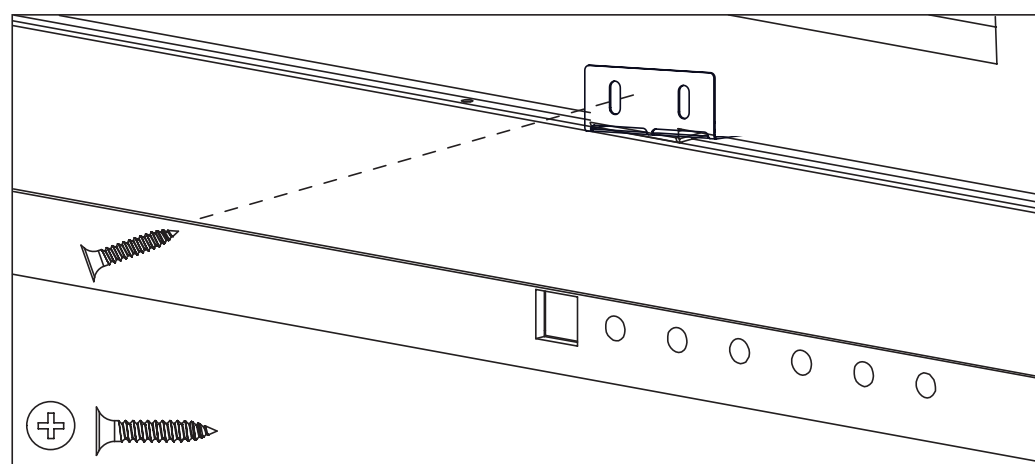
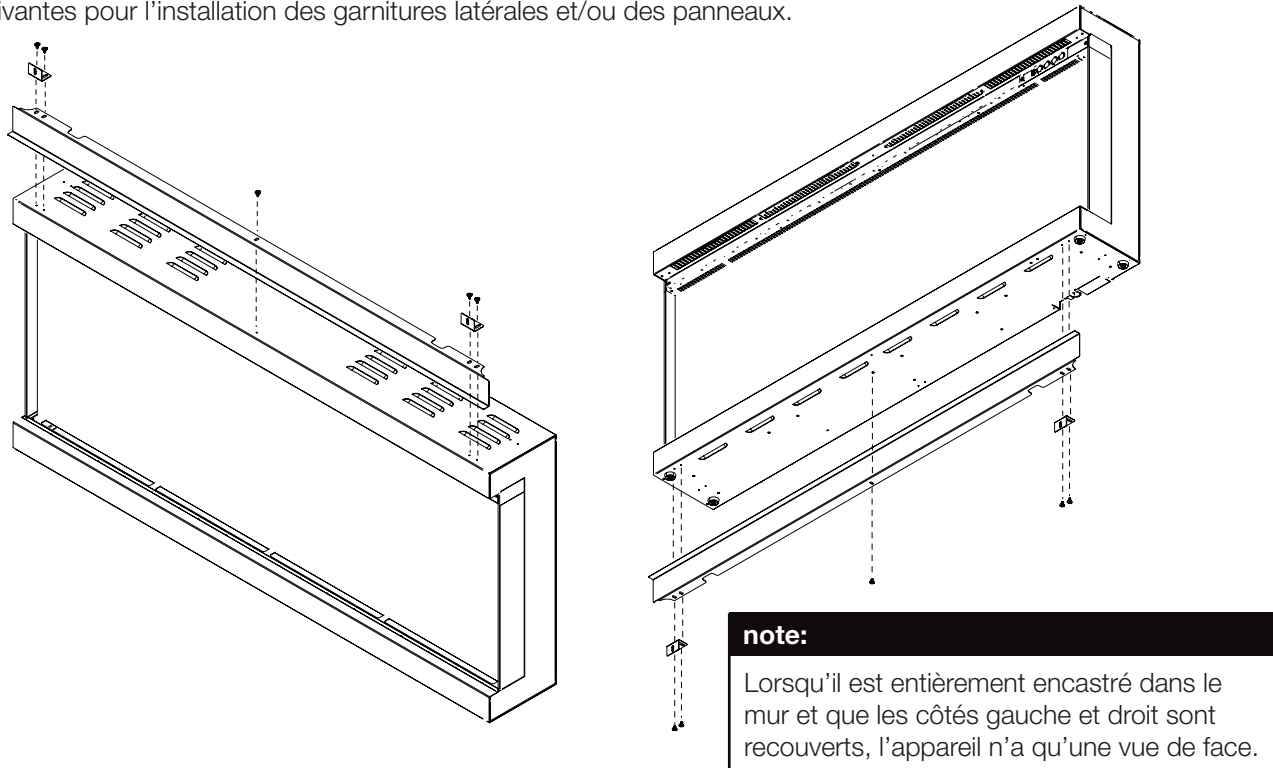


Fig. 7

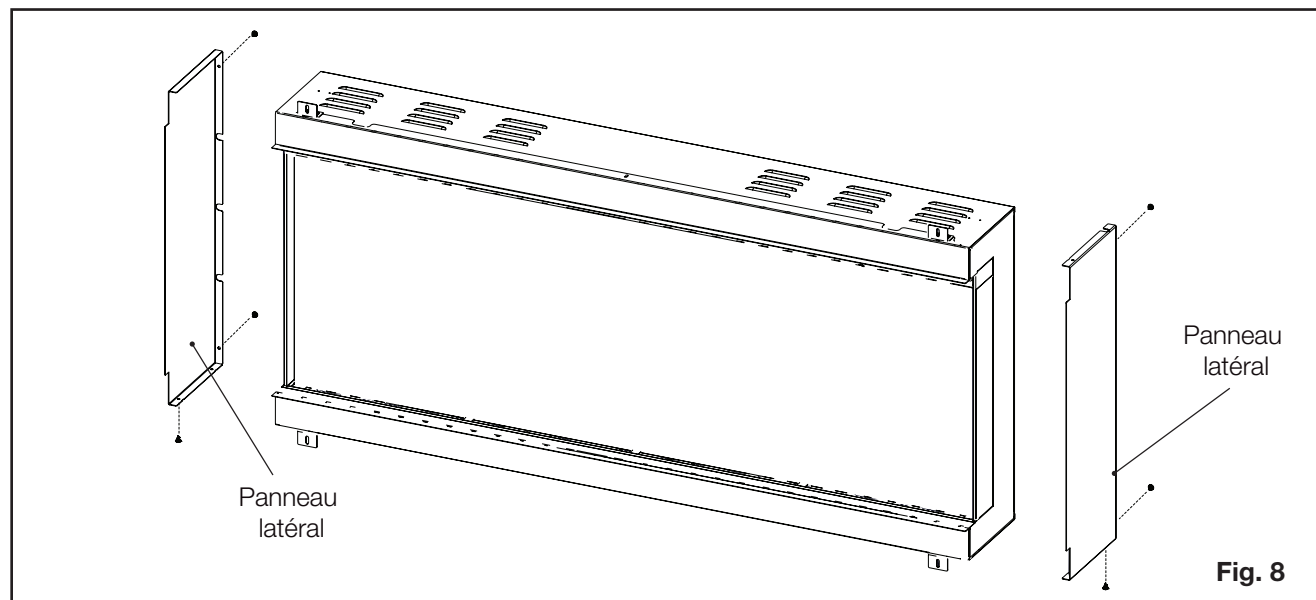
2.5 application intégrée

2.5.1 installation de la garniture / du panneau

Le foyer nécessite l'utilisation de garnitures et de panneaux supplémentaires afin d'être complètement encastré dans le mur pour permettre une surface de protection et un bord d'appui pour les matériaux de finition. Installez les garnitures supérieure et inférieure avec les supports de montage à l'aide des vis fournies, comme illustré. Passez en revue les options d'installation pour les applications à une, deux ou trois faces et passez aux étapes suivantes pour l'installation des garnitures latérales et/ou des panneaux.



1. Remove the screws from the back and bottom of the fireplace which align with the panel then secure the panels using the metal screws provided (**Fig. 8**).



Dans le cas d'une enceinte murale d'extrémité à 2 côtés (avant et 1 côté), installez les garnitures supérieure et inférieure ainsi qu'un panneau en forme de C et un panneau plat sur le côté respecté qui doit être ouvert et fermé.

note:

Lorsqu'il est entièrement encastré dans le mur et qu'un côté est ouvert, l'appareil présente une vue de face et une vue de gauche ou de droite en fonction du côté ouvert souhaité.

2. Pour le côté ouvert désiré, retirez les vis de l'arrière du foyer qui s'alignent avec la garniture, puis fixez la garniture à l'aide des vis à métaux fournies. **(Fig. 9).**
3. Pour le côté fermé désiré, retirez les vis de l'arrière et du bas du foyer qui s'alignent avec le panneau, puis fixez les panneaux à l'aide des vis à métaux fournies. **(Fig. 10).**

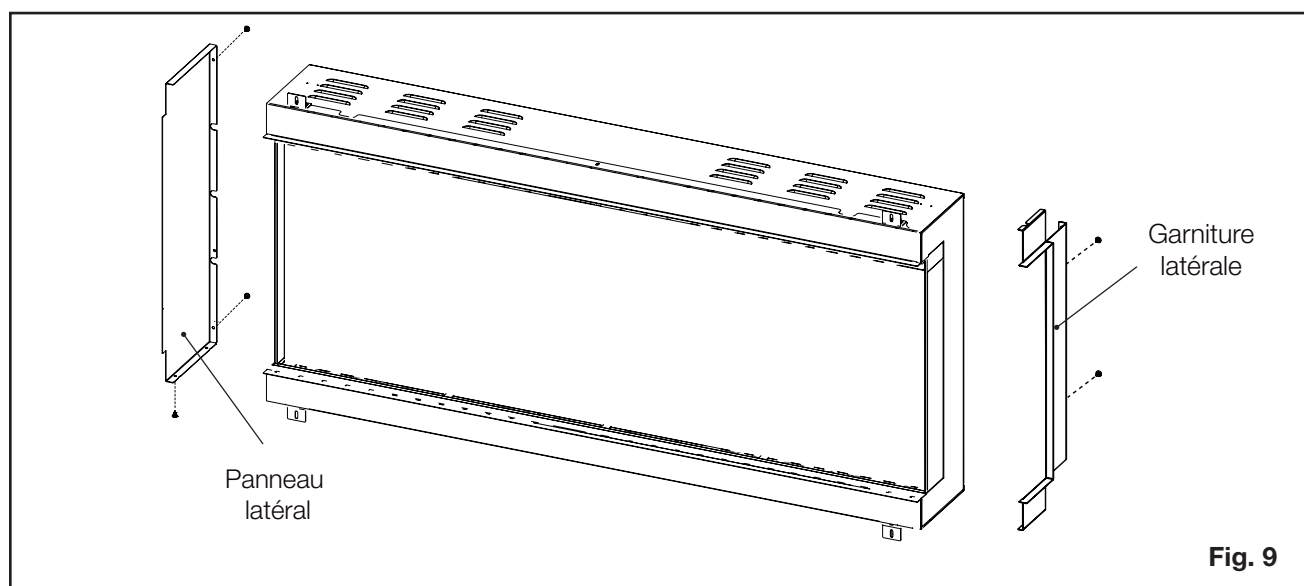


Fig. 9

4. Fixez les deux garnitures latérales en retirant les vis de l'arrière du foyer qui s'alignent avec la garniture la garniture, puis fixez la garniture à l'aide des vis à métaux fournies. **(Fig. 10).**

note:

Lorsqu'il est installé avec les deux côtés ouverts, l'appareil présente une vue de face, ainsi que des vues de gauche et de droite.

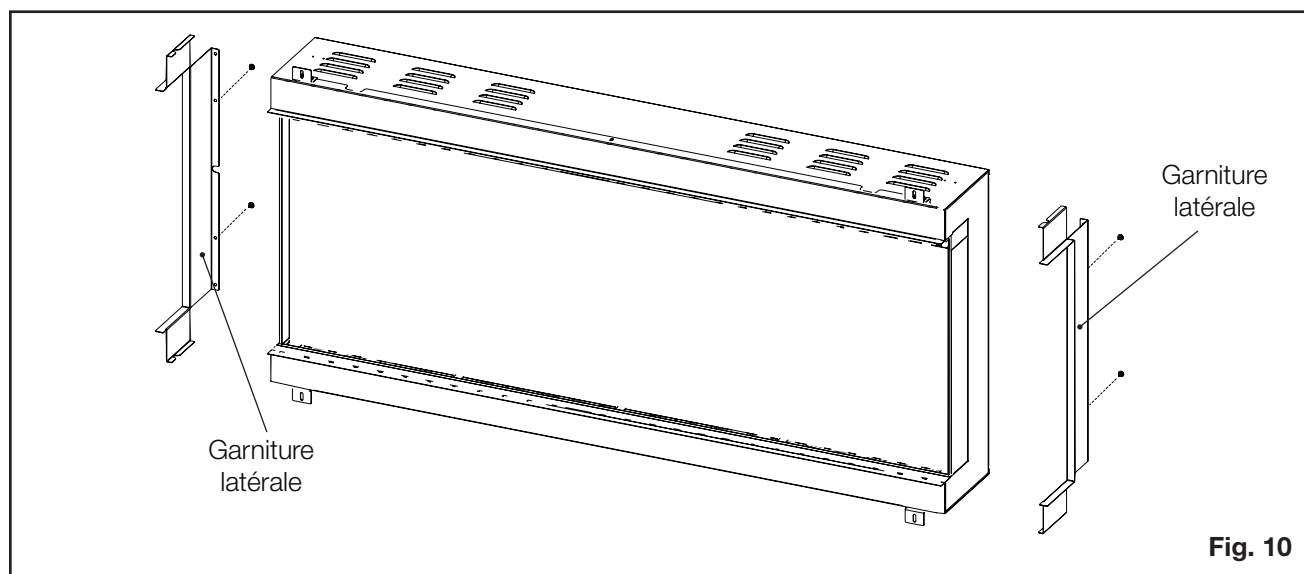


Fig. 10

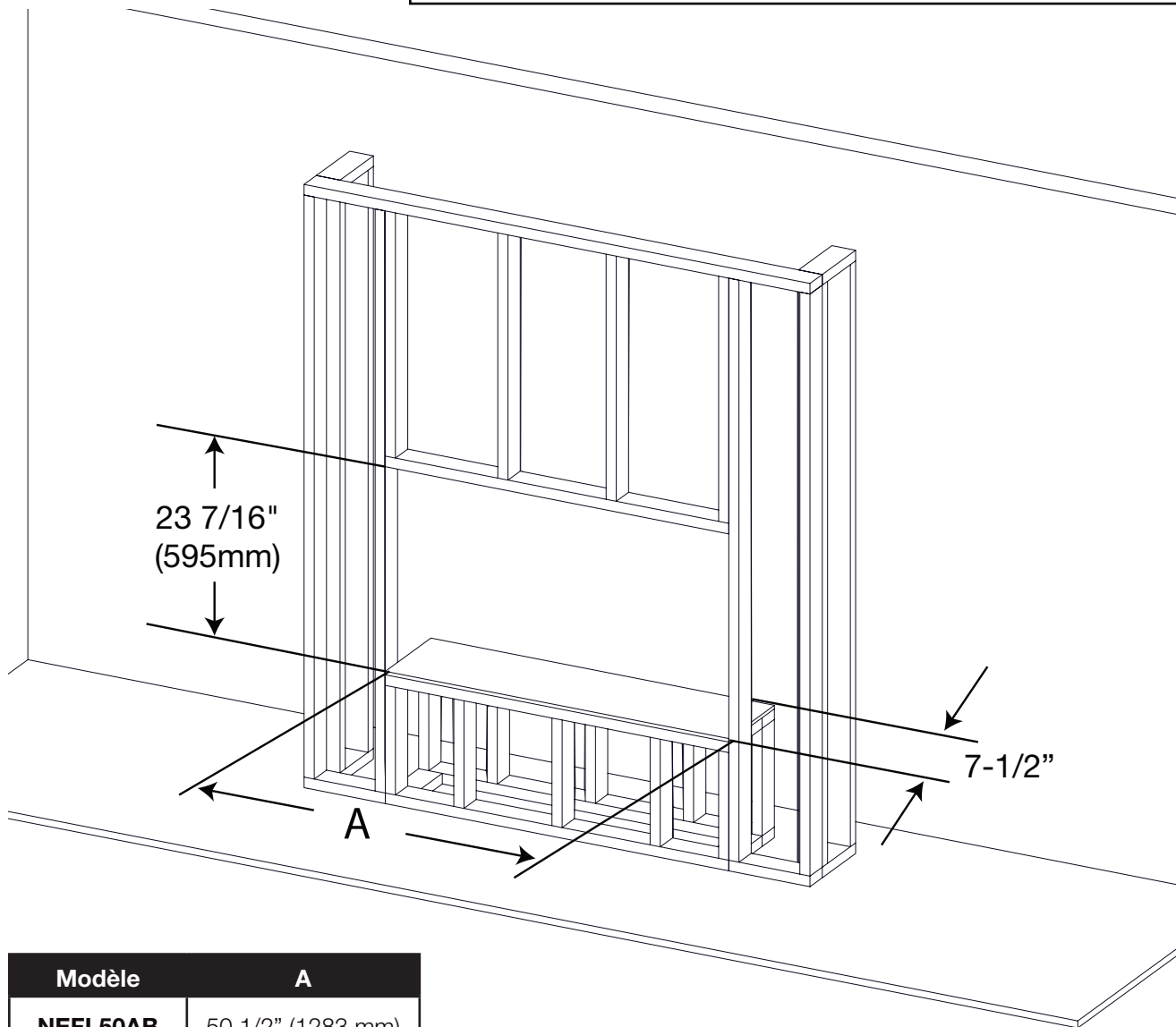
2.5.2 cadrage grossier

Ossature des murs non porteurs
Emplacement du câble dur

note:

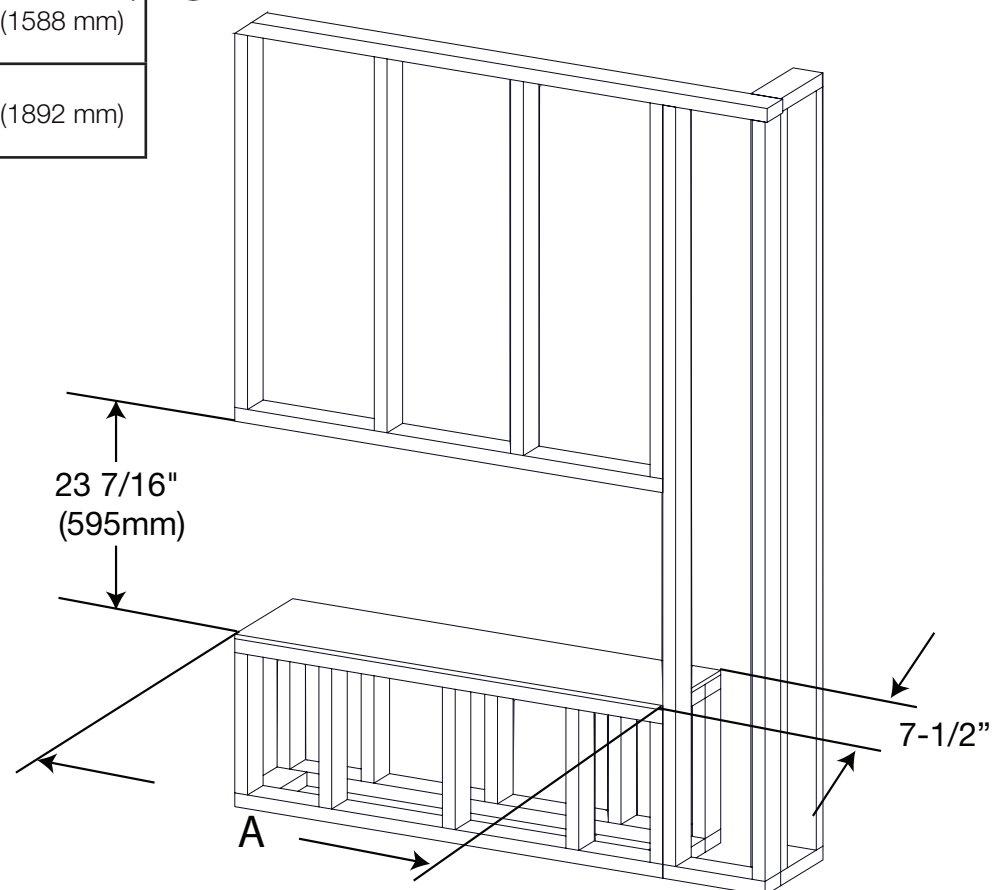
L'appareil n'est PAS porteur. Tenir compte du poids des matériaux de finition lors de la construction de l'ossature brute.

Veiller à ce que l'installation soit conforme à tous les codes et exigences locaux en matière de construction.



Modèle	A
NEFL50AB	50 1/2" (1283 mm)
NEFL62AB	62 1/2" (1588 mm)
NEFL74AB	74 1/2" (1892 mm)

Modèle	A
NEFL50AB	50 1/2" (1283 mm)
NEFL62AB	62 1/2" (1588 mm)
NEFL74AB	74 1/2" (1892 mm)



2.5.3 installation encastrée

1. Une fois les supports et les garnitures installés, demandez à deux personnes de soulever l'appareil et de l'insérer dans l'ossature brute.
2. Vérifiez la stabilité de l'appareil, puis fixez-le dans l'ossature brute à l'aide des vis à bois fournies, en les faisant passer par les trous oblongs de chaque support de fixation.

3.0 informations électriques

! AVERTISSEMENT

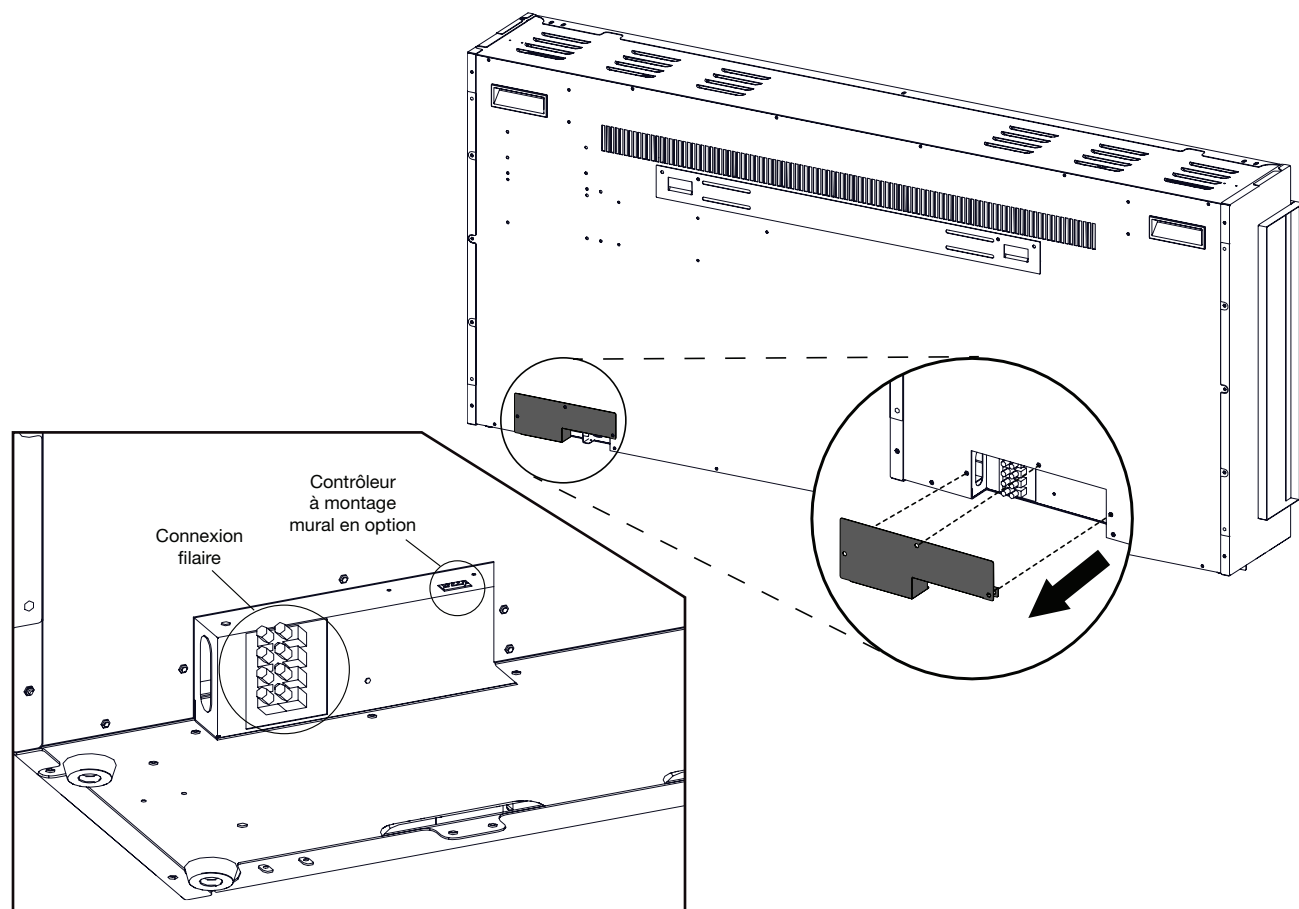
- Éteignez complètement l'appareil et laissez-le refroidir avant de l'entretenir. L'entretien et la réparation de cet appareil électrique ne doivent être confiés qu'à une personne qualifiée.

Il est nécessaire de câbler cet appareil lorsqu'il est encastré dans le mur. Un électricien qualifié doit raccorder l'appareil directement au réseau électrique de la maison.

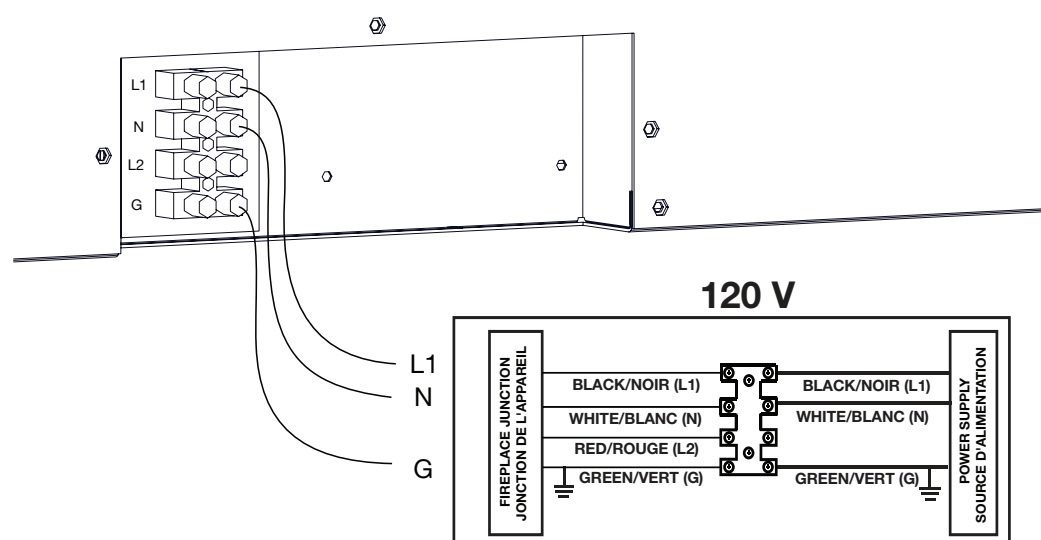
Cet appareil doit être câblé et mis à la terre conformément aux codes locaux ou, en l'absence de codes locaux, à la dernière édition du National Electrical Code ANSI/NFPA 70 aux États-Unis ou du Code canadien de l'électricité CSA C22.1 au Canada. Before hardwiring the appliance, remove the junction box control cover by removing the fasteners as shown.

- Retirez le cordon d'alimentation en vous assurant que l'appareil est débranché, puis repérez et retirez les vis qui fixent la plaque de recouvrement

- à la cheminée. Une fois retirées, desserrez les vis des bornes pour retirer les fils du bloc de jonction.
- Placez le câble à 2 ou 3 conducteurs sur le côté inférieur droit de l'enceinte pour l'installation du câblage en fonction de la capacité de production de chaleur de 120 V ou 240 V souhaitée.
- Lorsque l'appareil se trouve dans le cadre d'encastrement, insérez-le suffisamment loin dans l'enceinte pour localiser les fils d'alimentation du bornier.
- Insérez les fils de votre maison à travers la plaque de recouvrement de la boîte de jonction avec la décharge de traction (fournie) et placez les fils à l'emplacement spécifié du bloc terminal en fonction de la sélection de la tension désirée.



3.1 Installation par câblage 120 V.



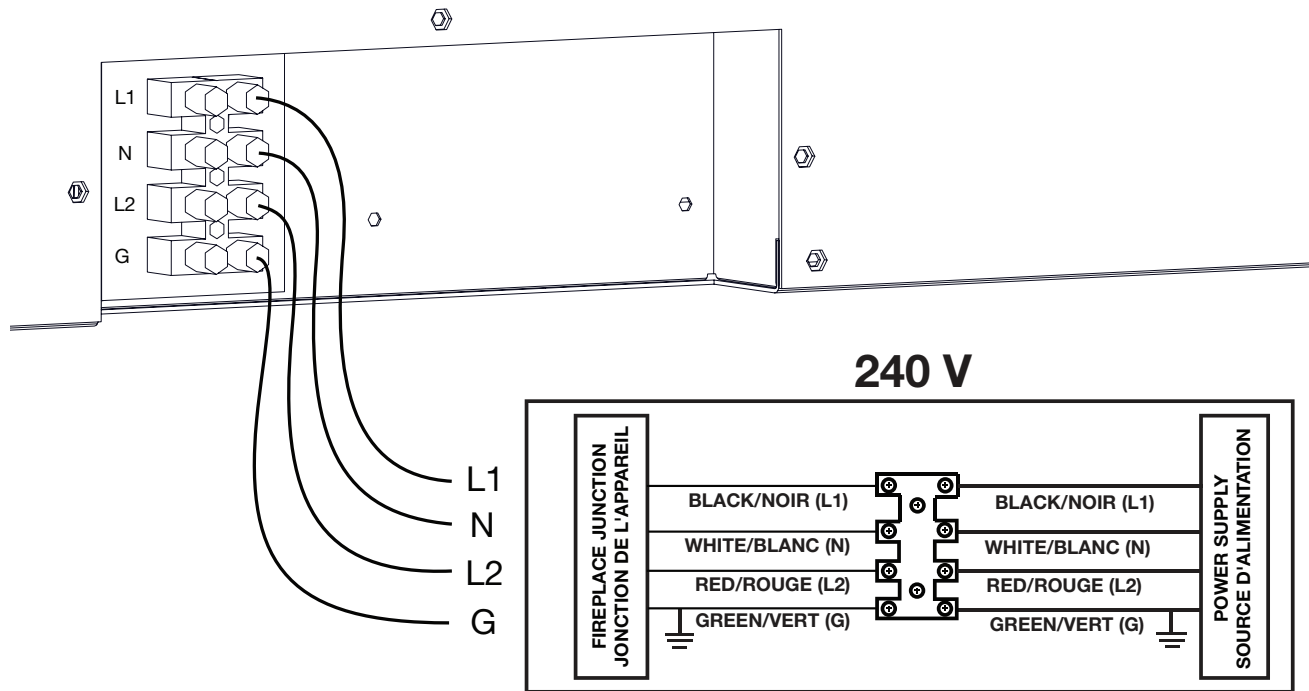
1. Insérez le fil vert ou le fil de cuivre nu dans la borne G désignée. Serrez la vis.
2. Insérez le fil neutre dans la borne N désignée. Serrez la vis.
3. Insérez le fil L1 dans la borne L1 désignée. Serrez la vis.

note:

Si vous installez l'option du contrôleur mural, branchez la connexion du faisceau de fils sur le connecteur à 4 broches situé au-dessus du bornier de câblage fixe.

4. Assurez-vous que toutes les connexions sont correctement serrées.
5. Réinstallez le couvercle de la boîte de jonction.

3.2 Installation du câblage 240 V



1. Insérez le fil vert ou le fil de cuivre nu dans la borne G désignée. Serrez la vis
2. Insérer le fil neutre dans la borne N prévue à cet effet. Serrez la vis.
3. Insérer le fil L1 dans la borne L1 désignée. Serrez la vis
4. Insérer le fil L2 dans la borne L2 désignée. Serrez la vis

note:

Si l'installation se fait avec un contrôleur mural optionnel. Branchez la connexion du faisceau de câbles sur le connecteur à 4 broches situé au-dessus du bornier de câblage.

5. Assurez-vous que toutes les connexions sont correctement serrées.
6. Réinstaller la plaque de recouvrement de la boîte de jonction.

3.3 installation du contrôleur mural optionnel

Le contrôleur mural est conçu avec un support de fixation encastré qui lui permet de se fixer directement au matériau de finition et n'a pas besoin d'être fixé à un poteau. Acheminez le faisceau de câbles du contrôleur mural depuis la boîte de jonction de la cheminée jusqu'à l'emplacement souhaité pour

le contrôleur mural. Il peut être nécessaire de fixer un matériau de finition à l'enceinte pour permettre au contrôleur mural d'être fixé sur le mur. l'enceinte pour permettre la fixation du contrôleur mural. Voir l'installation des matériaux de finition.

4.0 finition

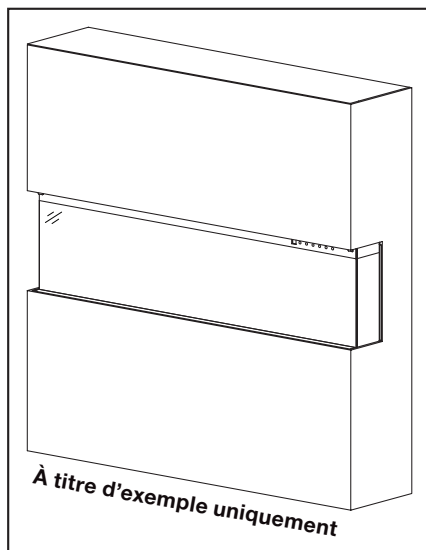
4.1 matériel de finition

! AVERTISSEMENT

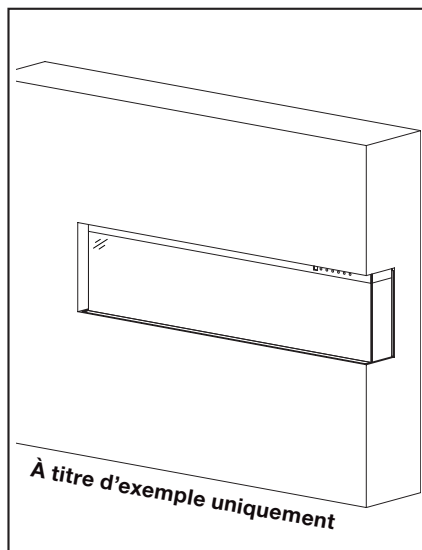
- Risque d'incendie !
- Ne jamais obstruer l'ouverture frontale de l'appareil.
- Ne pas frapper, claquer ou gratter. Ne pas utiliser l'appareil avec la vitre enlevée ou fissurée.
- Le matériau de façade et/ou de finition ne doit jamais dépasser dans l'ouverture de l'appareil.
- **Ne pas dépasser la bordure de finition.** Installer des matériaux de finition au-delà de la bordure de finition empêchera l'installation et/ou l'ouverture et la fermeture du panneau de verre frontal.
- La poussière de plâtre peut pénétrer dans les roulements du ventilateur, causant des dommages irréparables. Il convient de prendre des précautions pour empêcher la poussière de plâtre de venir en contact avec le ventilateur ou son compartiment. Tout dommage résultant de cette condition n'est pas couvert par la politique de garantie.

1. Les matériaux de finition combustibles et non combustibles peuvent être utilisés pour l'installation de ce produit..
2. Le matériau de finition couvrira l'avant de l'unité et s'appuiera contre la languette de bordure du matériau de finition (Fig11).

Installation de visualisation sur trois côtés



Installation de visualisation bilatérale



Installation de visualisation unilatérale

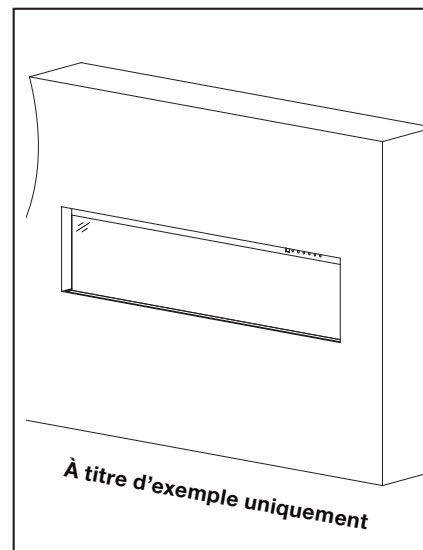


Fig. 11

! AVERTISSEMENT

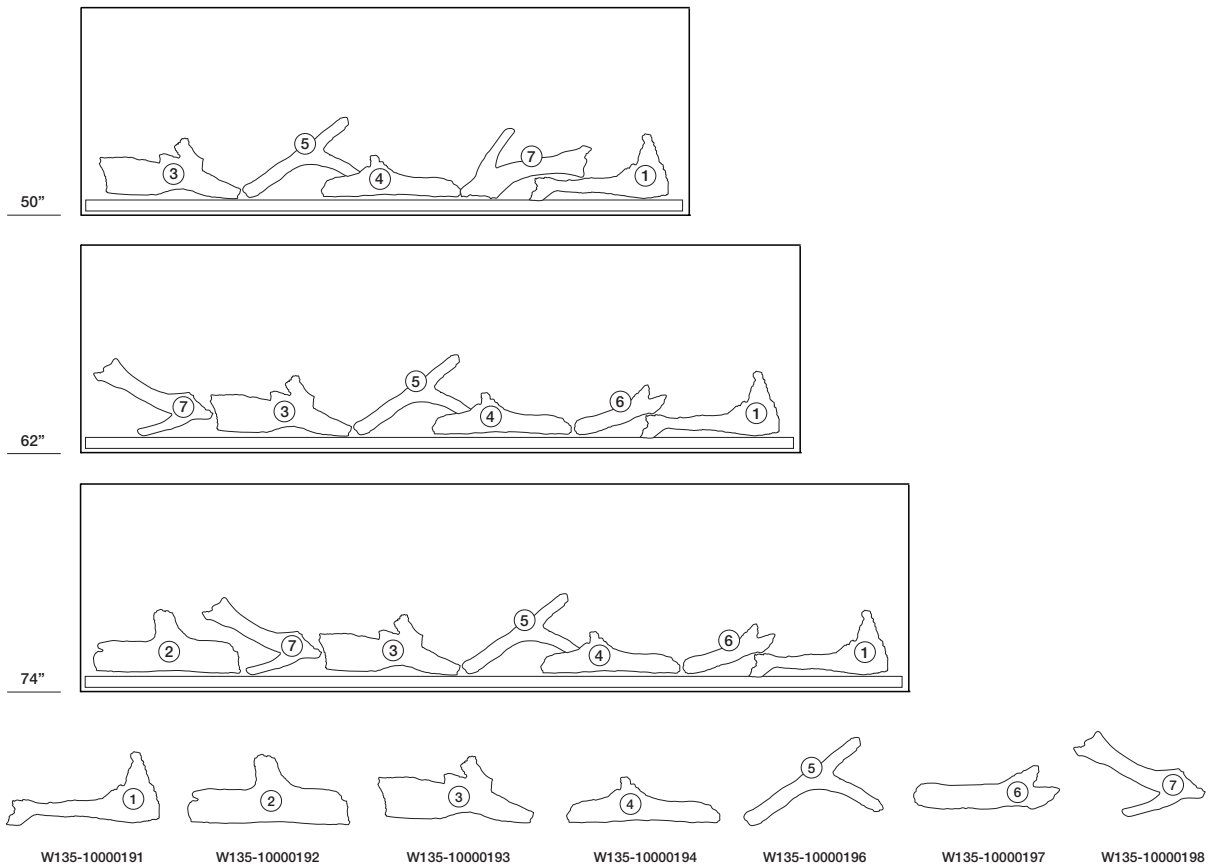
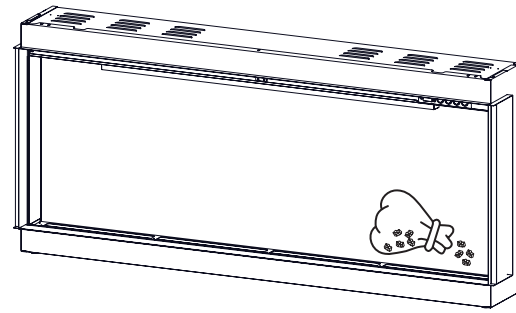
- Le service d'alimentation électrique doit être effectué avant la finition pour éviter toute reconstruction.
- Les bouches de chaleur et les ouvertures d'air ne peuvent en aucun cas être obstruées.

4.2 installation des médias

Le verre frontal doit être retiré et l'appareil doit être fixé à son emplacement final avant l'installation des braises de cristal (voir la section "Installation et retrait du verre frontal").

4.2.1 Ensemble de journaux de plage et de médias de forêt

- Commencez par disposer les 2 types de verre le long du lit de médias. Mélangez les 2 couleurs ensemble pour créer une apparence de combustion réaliste une fois que la cheminée est allumée.
- Placez les bûches dans la position souhaitée, les images de référence sont montrées à la
- figure 7 comme emplacement recommandé, mais elles peuvent être modifiées en fonction de la disposition souhaitée. Placez les pierres minérales et les morceaux de charbon de bois autour des bûches selon vos préférences.



Taille	W135-10000191 #1	W135-10000192 #2	W135-10000193 #3	W135-10000194 #4	W135-10000196 #5	W135-10000197 #6	W135-10000198 #7	Qté totale.
50"	1	0	1	1	1	0	1	5
62"	1	0	1	1	1	1	1	6
74"	1	1	1	1	1	1	1	7

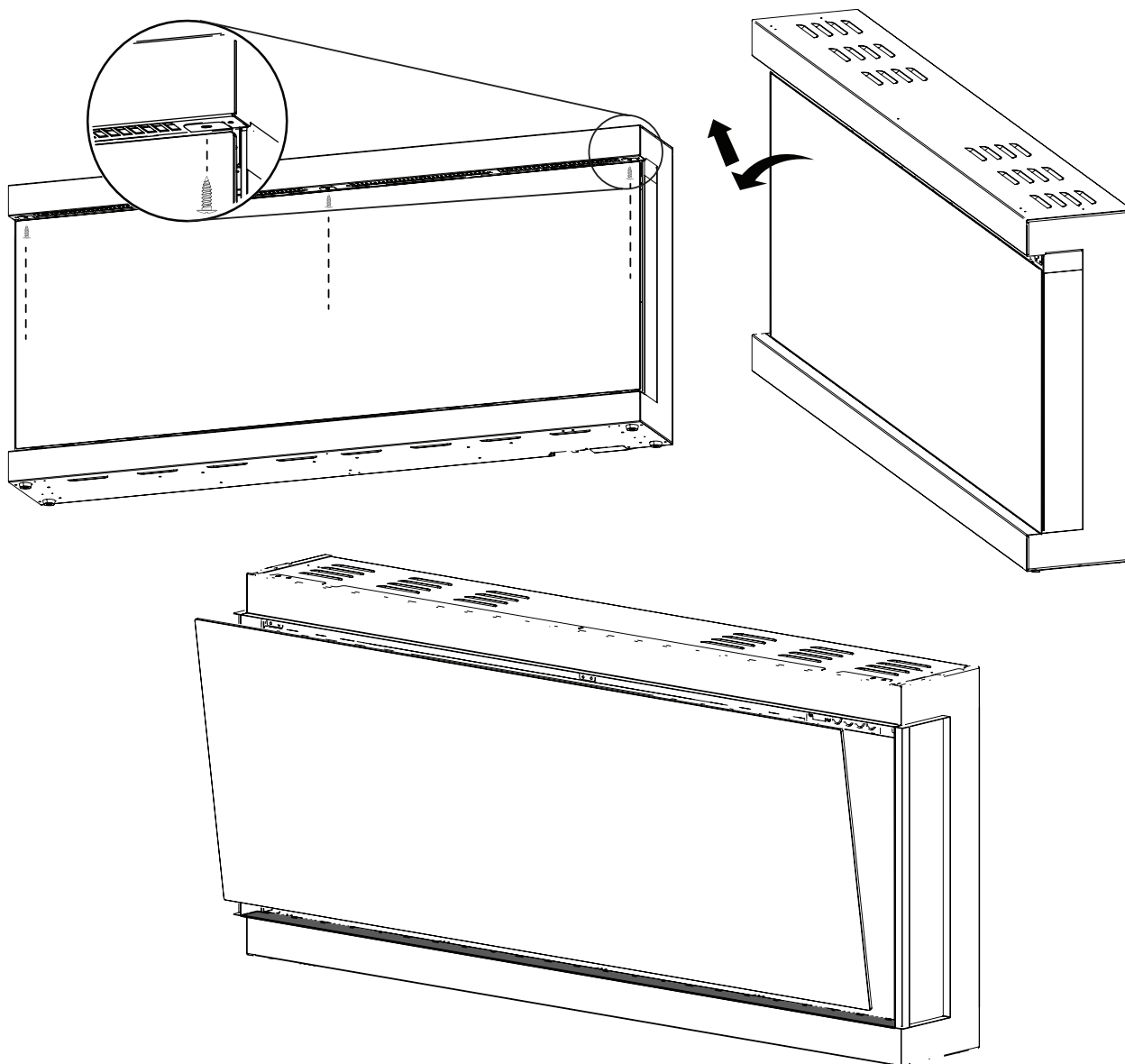
4.3 pose et dépose de la vitre frontale

Retirez les vis qui maintiennent les supports de fixation en haut de la vitre. Détachez la vitre de l'appareil, puis

soulevez-la et retirez-la. Une fois retirée, la vitre doit être placée sur une surface douce et non abrasive.

! AVERTISSEMENT

- Avant d'installer ou de retirer le verre frontal, débranchez l'appareil et attendez qu'il refroidisse. Le verre peut être lourd et fragile, alors manipulez-le avec précaution.

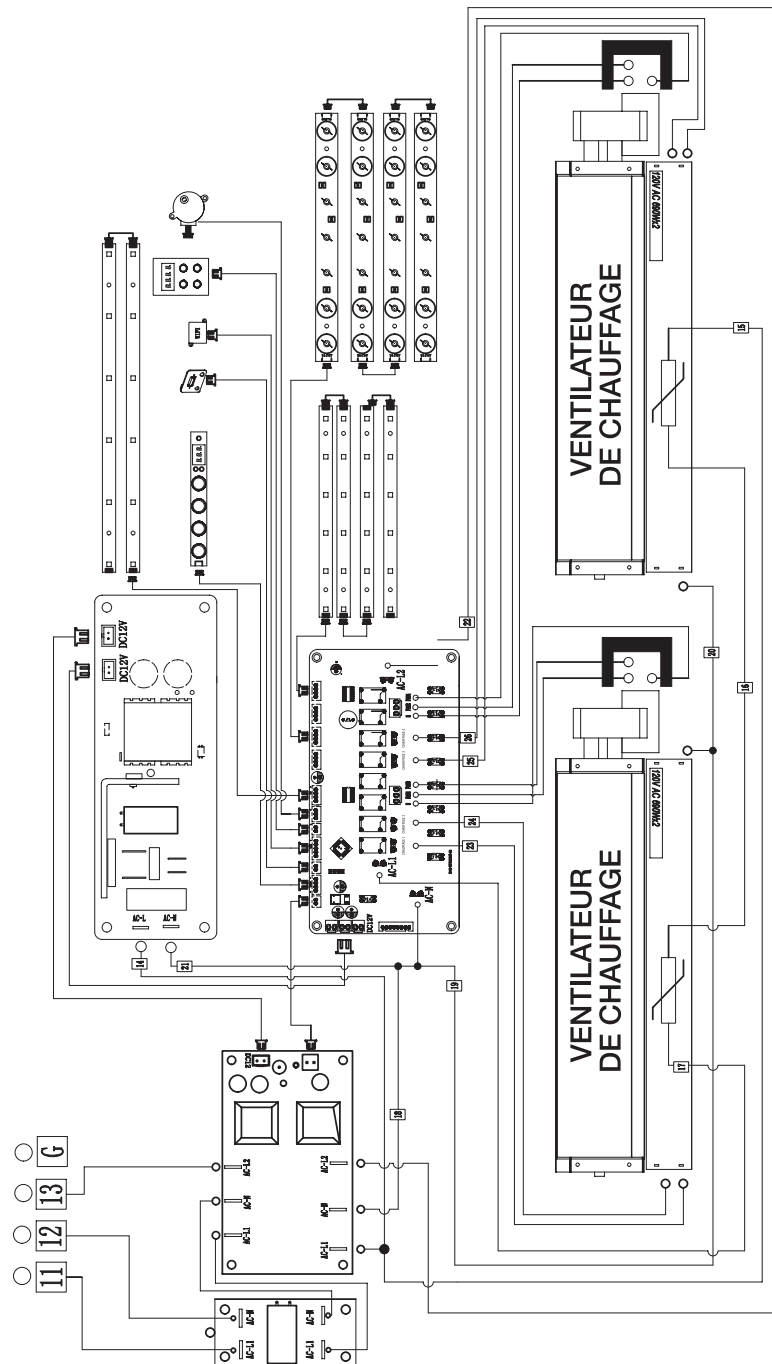


5.0 schéma de câblage

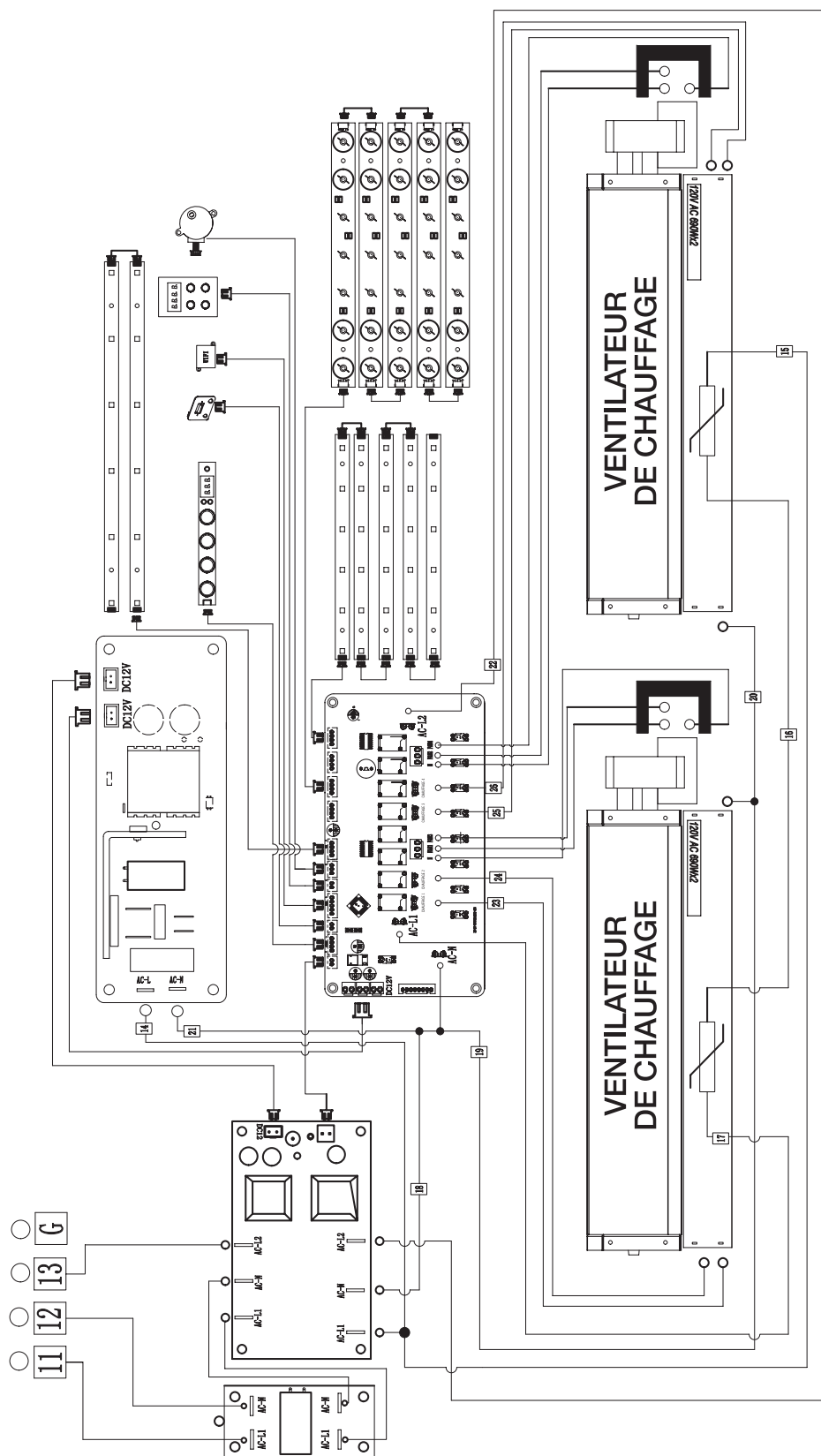
5.1 schéma de câblage NEFL50AB

! AVERTISSEMENT

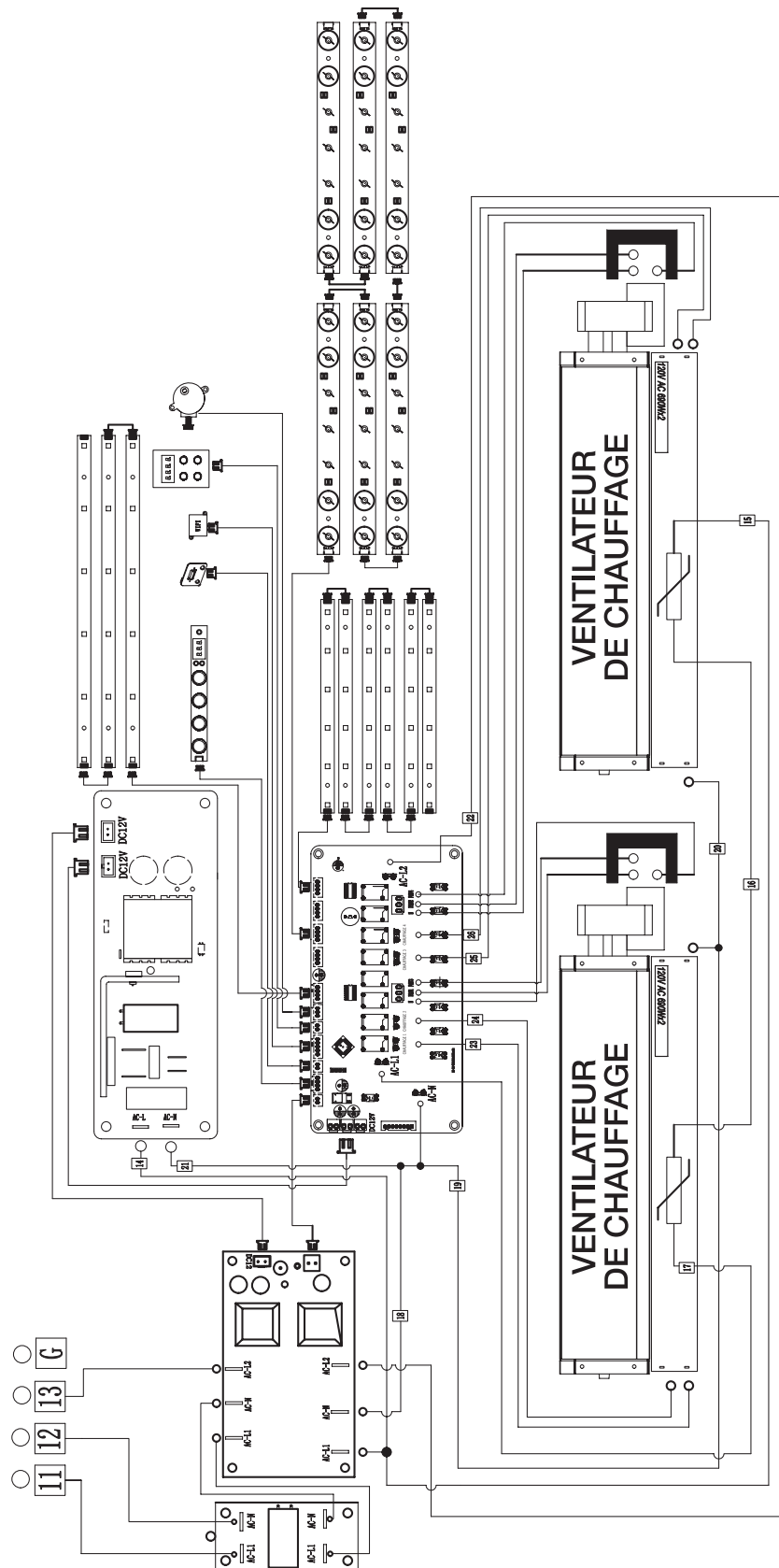
- Éteignez complètement l'appareil et laissez-le refroidir avant toute intervention. Seul un technicien qualifié doit entretenir et réparer cet appareil électrique.



5.2 schéma de câblage NEFL62AB



5.3 schéma de câblage NEFL74AB



6.0 fonctionnement

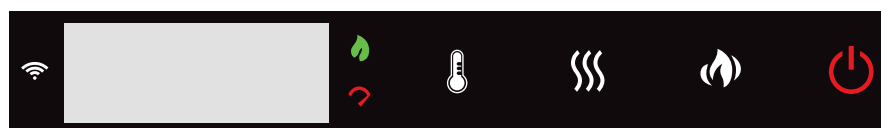
Une fois que l'appareil a été raccordé électriquement à un circuit mis à la terre et que le disjoncteur est activé, il est prêt à fonctionner.








note:

Assurez-vous que les disjoncteurs de l'alimentation électrique sont activés. En cas de panne de courant, l'appareil perd sa fonction de mémoire et se remet en mode usine lorsque le courant est rétabli.

6.1 panneau de commande

Le panneau de commande est situé dans le coin supérieur droit de l'appareil..



Alimentation		Allumer / éteindre l'appareil.
Température		Contrôlez la température de l'appareil avec 11 réglages. Réglages: 18 °C [64 °F], 19 °C [66 °F], 20 °C [68 °F], 21 °C [70 °F], 22 °C [72 °F], 23 °C [74 °F], 24 °C [76 °F], 25 °C [78 °F], 26 °C [80 °F], 27 °C [82 °F] and OFF. Note: Appuyez et maintenez le bouton pendant 3 secondes pour passer entre °C et °F.
Chauffage		Active ou désactive le chauffage et le ventilateur. Réglages: H-0: Chauffage et ventilateur éteints FAN: Chauffage éteint et ventilateur allumé H-1: Chauffage et ventilateur allumés Note: La fonction de contrôle du chauffage peut être activée/désactivée en maintenant le bouton enfoncé pendant 3 secondes. Lorsque la fonction de chauffage est désactivée, "LOC" s'affiche.
Flamme		Allume ou éteint l'effet de flamme. Réglages: F-1: Les flammes orange et jaunes sont allumées, 100 % de luminosité. F-0: Les flammes orange et jaunes sont éteintes. Note: Maintenez le bouton enfoncé pendant 8 secondes pour la configuration du Wi-Fi.
Indicateur de mode ECO		Indique que l'appareil fonctionne en mode ECO.
Indicateur de mode boost		Indique que l'appareil fonctionne en mode Boost.
Indicateur Wi-Fi		Indique que l'appareil est connecté au réseau sans fil.

6.2 télécommande de fonctionnement



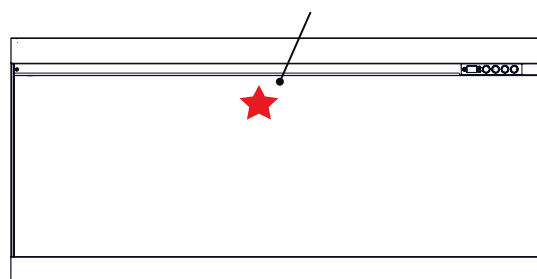
Fonctionnalités:










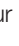





Alimentation / veille
 Réglage du chauffage :
 H-0, VENT, H-1
 Mode ECO
 Mode Boost
 Réglage de la température
 Réglage de la couleur des flammes :
 orange / jaune
 Réglage de la vitesse des flammes
 Réglage de la couleur du lit de braises
 Réglage de la luminosité du lit de braises
 Réglage de la lumière supérieure







Fonctions spéciales :





Programmation de minuterie 7/24
 Alerte de fenêtre ouverte

Télécommande infrarouge
 Pointer la télécommande ici

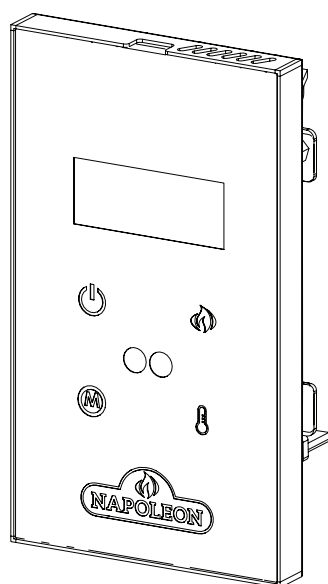






Alimentation/ veille		Allumer/éteindre l'appareil.
Chauffage		Allume/éteint le chauffage et le ventilateur. Réglages: H-0 : Chauffage et ventilateur éteints FAN : Chauffage éteint et ventilateur allumé H-1 : Chauffage et ventilateur allumés Note: La fonction de contrôle du chauffage peut être activée/désactivée en maintenant le bouton enfoncé pendant 3 secondes. Lorsque la fonction de chauffage est désactivée, "LOC" s'affiche.
Minuterie 7/24		Appuyez sur la touche  pour régler le jour et l'heure actuels. Lorsque "MON" commence à clignoter, utilisez  pour sélectionner le jour actuel. Appuyez sur OK pour terminer le réglage. Lorsque les chiffres des heures commencent à clignoter, utilisez-les  pour sélectionner l'heure actuelle. Appuyez sur OK pour terminer le réglage. Lorsque les chiffres des minutes commencent à clignoter, utilisez  cette touche pour sélectionner les minutes en cours. Appuyez sur OK pour terminer le réglage. Maintenez la touche  enfoncée pour régler l'horaire hebdomadaire. Appuyez sur la touche  et maintenez-la enfoncée pendant 3 secondes. Le logo ON apparaît à l'écran. Lorsque "MON" commence à clignoter, utilisez  pour sélectionner le jour souhaité. Appuyez sur OK pour terminer le réglage. Lorsque "--:--" commence à clignoter, utilisez  pour sélectionner l'heure. Appuyez sur OK pour confirmer. Chaque fois que vous appuyez  sur la touche, 30 minutes sont ajoutées ou réduites. Appuyez  à tout moment pour effacer les chiffres. Laissez l'heure et les minutes dans "--:--" pour ne pas configurer l'horaire. Lorsque "18 °C" commence à clignoter, utilisez  pour sélectionner la température souhaitée pour activer le chauffage (fonction thermostat activée). Appuyez sur OK pour compléter le réglage. Une fois l'étape 4 terminée,  le logo OFF s'affiche à l'écran. Répétez les étapes 2 et 3 pour définir le jour et l'heure de l'arrêt. Répétez les étapes 1 à 5 pour régler l'heure de mise en marche et d'arrêt tous les jours.

<p>ECO</p>		<p>Maintenez le bouton enfoncé pendant 3 secondes pour allumer/éteindre le chauffage avec une puissance thermique réduite de moitié (mode ECO). Remarque : En mode ECO, l'indicateur ECO s'allume sur le panneau de commande.</p>			
<p>Coup de pouce</p>		<p>Maintenez le bouton enfoncé pendant 3 secondes pour activer/désactiver le mode Boost pendant 30 minutes. Remarque : lorsque l'appareil fonctionne en mode Boost, l'indicateur BST s'allume sur le panneau de commande.</p>			
<p>Thermostat Contrôle</p>		<p>Contrôle la température de l'appareil. Permet \updownarrow de modifier les réglages. Réglages: 18 °C [64 °F], 19 °C [66 °F], 20 °C [68 °F], 21 °C [70 °F], 22 °C [72 °F], 23 °C [74 °F], 24 °C [76 °F], 25 °C [78 °F], 26 °C [80 °F], 27 °C [82 °F] et OFF. Note: Maintenez la touche enfoncée pendant 3 secondes pour passer de °C à °F.</p>			
<p>Flamme</p>		<p>Activer/désactiver l'effet de flamme. Appuyez sur le bouton, l'icône de la flamme 1 sur l'écran LCD commence à clignoter. Utilisez les touches \updownarrow pour modifier la luminosité. Appuyez à nouveau sur le bouton, l'icône de la flamme 2 sur l'écran LCD commence à clignoter. Utilisez les touches \updownarrow pour modifier la luminosité. Appuyez une troisième fois sur le bouton, les icônes de la flamme 1 et de la flamme 2 sur l'écran LCD commencent à clignoter.</p> <table border="1" data-bbox="583 1019 1459 1207"> <tr> <td data-bbox="583 1019 869 1207"> Icône 1 : flamme orange. OF4 (100%) OF3 (75%) OF2 (50%) OF1 (25%) OF0 (0%) </td> <td data-bbox="869 1019 1156 1207"> Icône 2 : Flamme jaune. YF4 (100%) YF3 (75%) YF2 (50%) YF1 (25%) YF0 (0%) </td> <td data-bbox="1156 1019 1459 1207"> Icône 1 + 2 : Les deux flammes. F-1 Les deux flammes allumées. (100%) F-0 Les deux flammes éteintes. (0%) </td> </tr> </table>	Icône 1 : flamme orange. OF4 (100%) OF3 (75%) OF2 (50%) OF1 (25%) OF0 (0%)	Icône 2 : Flamme jaune. YF4 (100%) YF3 (75%) YF2 (50%) YF1 (25%) YF0 (0%)	Icône 1 + 2 : Les deux flammes. F-1 Les deux flammes allumées. (100%) F-0 Les deux flammes éteintes. (0%)
Icône 1 : flamme orange. OF4 (100%) OF3 (75%) OF2 (50%) OF1 (25%) OF0 (0%)	Icône 2 : Flamme jaune. YF4 (100%) YF3 (75%) YF2 (50%) YF1 (25%) YF0 (0%)	Icône 1 + 2 : Les deux flammes. F-1 Les deux flammes allumées. (100%) F-0 Les deux flammes éteintes. (0%)			
<p>Vitesse de flamme</p>		<p>Contrôle de la vitesse de la flamme. Appuyez sur le bouton, l'icône de vitesse de la flamme commencera à clignoter sur l'écran LCD. Permet \updownarrow de modifier les paramètres.</p> <p>Réglages: S-3 (12 RPM) S-2 (10.5 RPM) S-1 (9 RPM) S-5 (15 RPM) S-4 (13.5 RPM) S-3 (12 RPM)</p>			
<p>Lit Ember Couleur</p>		<p>Contrôlez la couleur du lit de braises. Appuyez sur le bouton, l'icône de couleur du lit de braises commencera à clignoter sur l'affichage LCD. Permet \updownarrow de modifier les paramètres.</p> <p>Réglages: L01 L02 ... L13 L-C (Cycle) L01</p>			

Lit Ember Luminosité		<p>Contrôlez la luminosité du lit de braises. Appuyez sur le bouton, l'icône de luminosité du lit de braises commence à clignoter sur l'écran LCD. Utilisez cette touche  pour modifier les réglages.</p> <p>Réglages: B-4 (100%) B-3 (60%) B-2 (40%) B-1 (10%) B-0 B-F (Fondu en entrée et fondu en sortie) B-4</p>
Lumière Supérieure		<p>Contrôler l'éclairage supérieur. Appuyez sur le bouton, l'icône LED supérieure commence à clignoter sur l'écran LCD. Utiliser  pour modifier les paramètres.</p> <p>Réglages: D01 D02 ... D13 D-C (Cycle) D00 D01</p>

6.3 operating optional wall mount controller



Alimentation		Allumer / éteindre l'appareil.
Flamme allumée/ éteinte		Allume/éteint la flamme. Réglages: F-1 : Flamme allumée à 100 % de luminosité pour la flamme orange et jaune (paramètre par défaut). F-0 : Flamme éteinte.
Sélection du mode		Permet de passer entre les modes de fonctionnement. Réglage par défaut : H-0 Réglages: H-0 : Chauffage et ventilateur éteints VENT : Chauffage éteint et ventilateur allumé H-1 : Chauffage et ventilateur allumés ÉCO : Chauffage en mode économique REN : Chauffage en mode renforcé, ventilateur tournant à haute vitesse Note: La fonction de contrôle du chauffage peut être activée/désactivée en maintenant le bouton enfoncé pendant 3 secondes. Lorsque la fonction de chauffage est désactivée, "LOC" s'affiche.
Thermostat Contrôle		Appuyez sur ce bouton pour activer le thermostat. Continuez à appuyer sur le même bouton pour augmenter la température. Chaque pression augmentera la température de 1 °C (2 °F), en commençant par le réglage par défaut de 18 °C (64 °F). Pour désactiver le mode de température : Appuyez plusieurs fois sur le bouton jusqu'à ce qu'aucune valeur de température ne s'affiche, ce qui indique "OFF". Le réglage de la température sera réinitialisé à la valeur par défaut de 18 °C (64 °F). Réglages: 18 °C [64 °F], 19 °C [66 °F], 20 °C [68 °F], 21 °C [70 °F], 22 °C [72 °F], 23 °C [74 °F], 24 °C [76 °F], 25 °C [78 °F], 26 °C [80 °F], 27 °C [82 °F] et OFF. Note: Maintenez le bouton enfoncé pendant 5 secondes pour basculer entre °C et °F.

7.0 connexions napoléon

APPLICATION NAPOLEON HOME



COMMENT ÇA MARCHE ?

Accédez à distance à votre appareil en téléchargeant l'application **Napoléon Home** depuis votre boutique d'applications.

Pour accéder à l'application, vous devrez créer un compte en suivant les instructions indiquées dans l'application (voir ci-dessous pour plus de détails).

En associant votre appareil à l'application **Napoléon Home** via WiFi, vous contrôlez tous les modes et fonctions de l'appareil.

Toutes les notifications et alarmes sont envoyées par l'intermédiaire de l'application pour vous permettre de rester connecté en toute simplicité.



Scannez ce code QR pour accéder directement au site Web de l'application **Napoléon Home**.

commençons

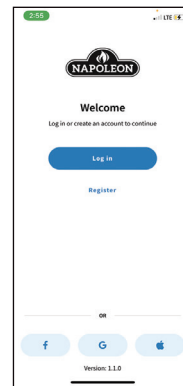
1 TÉLÉCHARGER



Téléchargez l'application **Napoléon Home** depuis votre boutique d'applications (Google Play ou Apple App Store).

Note: Cela nécessite Android 7.0 ou iOS 13.0.

2 ENREGISTRER



Enregistrez un compte avec l'application **Napoléon Home** OU connectez-vous en utilisant les informations de votre compte Facebook, Google ou Apple.

3 CRÉÉZ

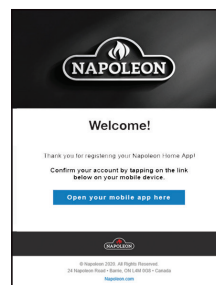
Entrez les informations de l'utilisateur et créez un mot de passe pour le compte. Sélectionnez le pays dans lequel se trouve l'appareil.

4 PRESQUE LÀ



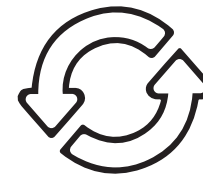
Les informations saisies à l'étape 3 seront enregistrées dans l'application **Napoléon Home** et une confirmation sera envoyée à l'adresse e-mail fournie.

5 CONFIRMEZ



Ouvrez la boîte de réception et sélectionnez le lien de validation. **Note:** Le lien de confirmation doit être ouvert sur l'appareil sur lequel l'application **Napoléon Home** est installée.

6 RE-CONFIRMEZ



Si aucun e-mail n'est trouvé, cliquez sur « Renvoyer le lien de confirmation » et vérifiez le dossier de courrier indésirable.

7.1 dispositif d'ajout

1. Assurez-vous que l'appareil est branché et allumé allumé (**Fig. 1**).
2. Appuyez sur le bouton de contrôle de l'éclairage de la flamme situé sur le panneau de commande de l'appareil et maintenez-le enfoncé pendant 10 secondes (**Fig. 2**).
3. Le foyer affichera P0 sur l'écran, ce qui indiquera que le foyer recherche une connexion wifi. Une fois la connexion établie, l'écran affiche P4 et l'icône wifi à gauche de l'écran s'allume.

note:

En fonction de la date de fabrication du produit, le foyer peut également afficher une lumière bleue comme indication secondaire à l'affichage de P0.

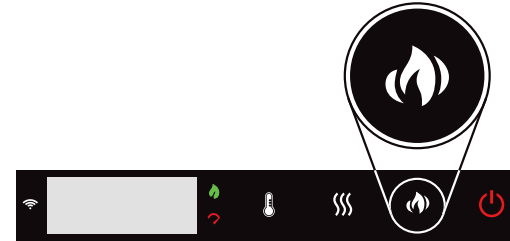


Fig. 1

Fig. 2

4. Sélectionnez "Ajouter un appareil" et acceptez les autorisations (**Fig. 3 & 4**).

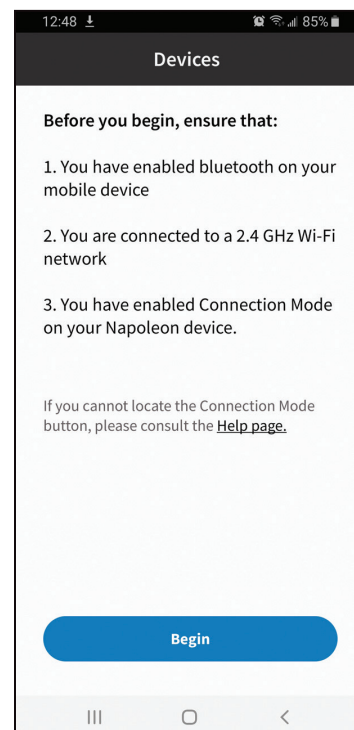
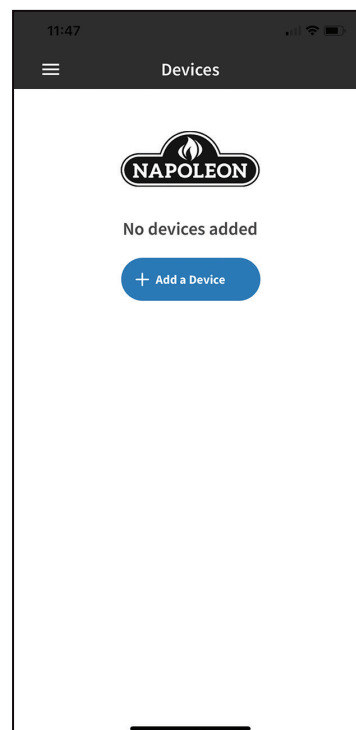


Fig. 3

Fig. 4

5. Rechercher des appareils et sélectionner l'appareil dans la liste (**Fig. 5 & 6**).

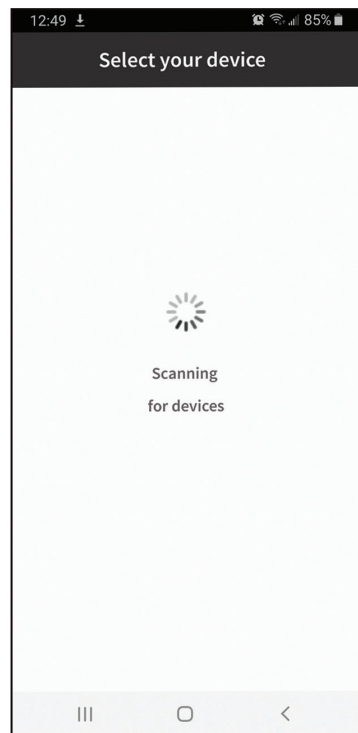


Fig. 5

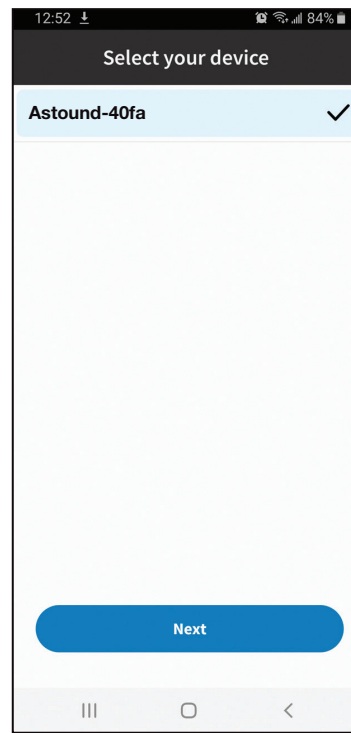


Fig. 6

6. Sélectionnez le wifi souhaité et connectez-vous en entrant le mot de passe wifi de votre domicile. (**Fig. 7 & 8**).
7. Une fois l'appareil connecté au point d'accès, il est possible de lui donner un surnom afin de le rendre plus reconnaissable. (**Fig. 9**).



Fig. 7

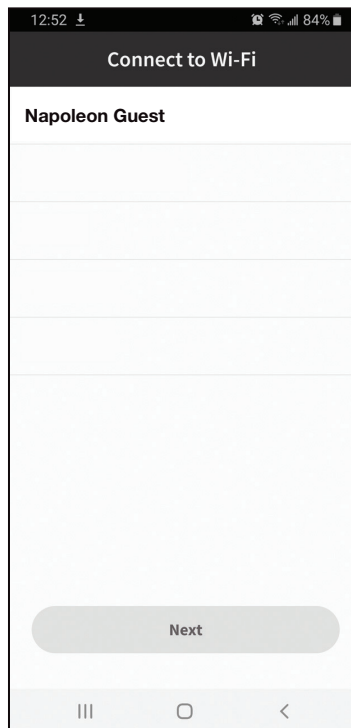


Fig. 8

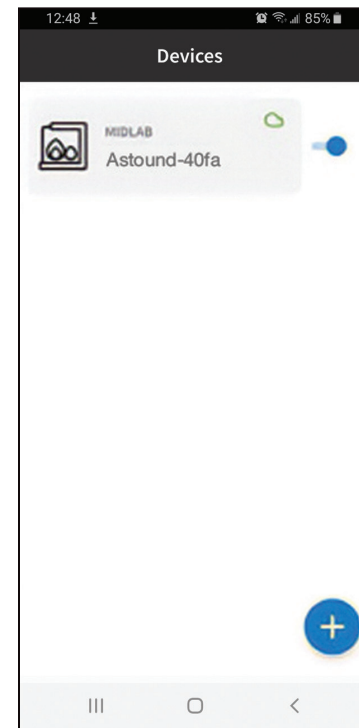
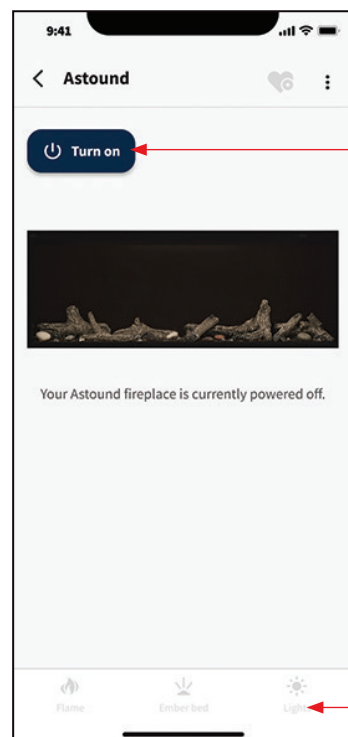


Fig. 9

7.2 utiliser l'application

7.2.1 réglage de la puissance

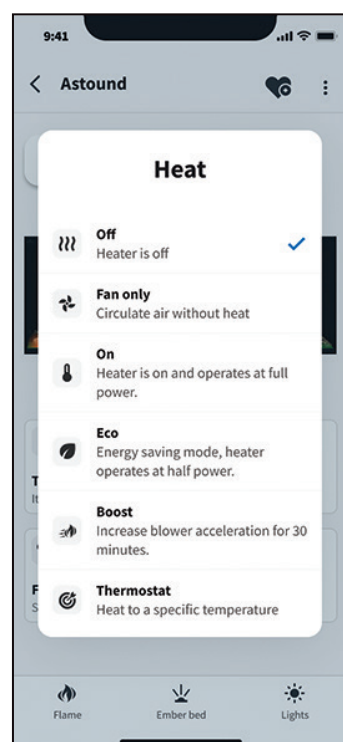
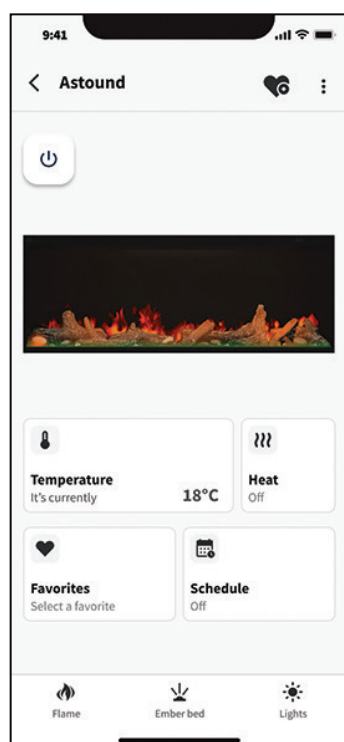


Réglage de la puissance :

Appuyez sur cette touche pour allumer et éteindre l'appareil.

Les réglages de luminosité ne sont pas accessibles sur cette page d'accueil lorsque l'appareil est éteint. Lorsque l'appareil est allumé, naviguez vers les onglets du bas pour modifier les réglages de l'écran du foyer.

7.2.2 réglage de la chaleur

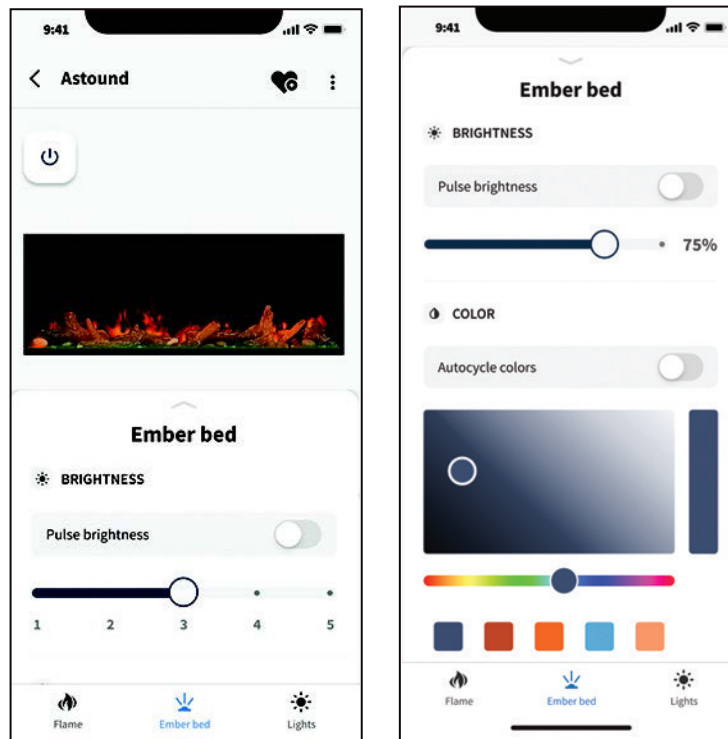


Réglage de la chaleur :

Le réglage de la chaleur peut être sélectionné via l'onglet de chaleur sur la page d'accueil de l'appareil. La température ambiante actuelle est affichée sur l'onglet de température et est mise à jour pour refléter la température cible lorsque le mode thermostat est sélectionné.

Éteinte	Pas de chaleur.
Ventilateur uniquement	Ne met en marche que le ventilateur pour faire circuler l'air sans le chauffer.
Sur	Le chauffage est allumé et fonctionne à pleine puissance.
ECO	Mode économie d'énergie, le chauffage fonctionne à mi-puissance.
Boost	Augmenter l'accélération de la soufflerie pendant 30 minutes, le chauffage fonctionnant à pleine puissance.
Thermostat	Le chauffage s'allume et s'éteint automatiquement pour réguler la température de la pièce à la température de consigne souhaitée

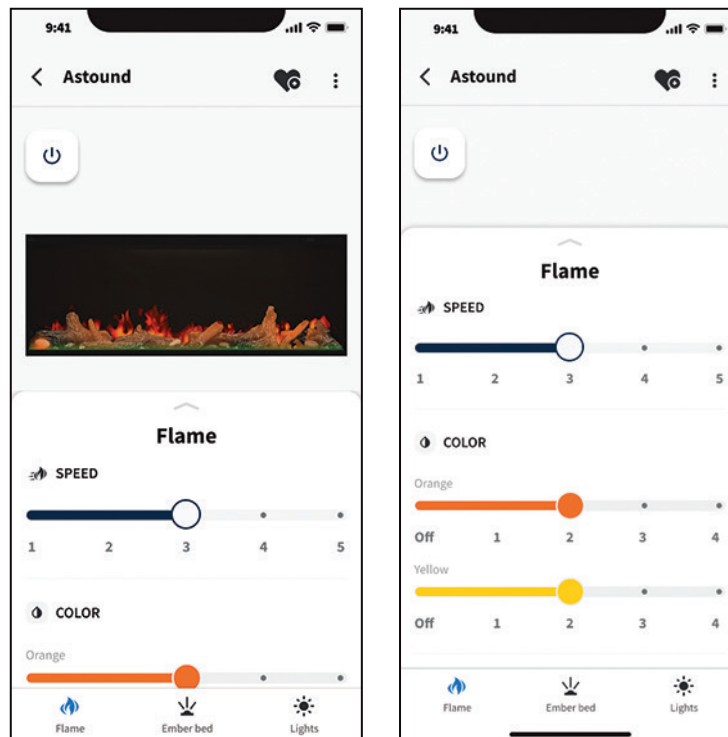
7.2.3 réglage du lit de braises



Réglage du lit de braises :

Sélectionnez les couleurs préférées de la couche de braises et les réglages de luminosité à partir de la liste dans l'onglet de la couche de braises, ou activez la fonction de changement automatique ou de pulsation de luminosité pour parcourir toutes les couleurs disponibles.

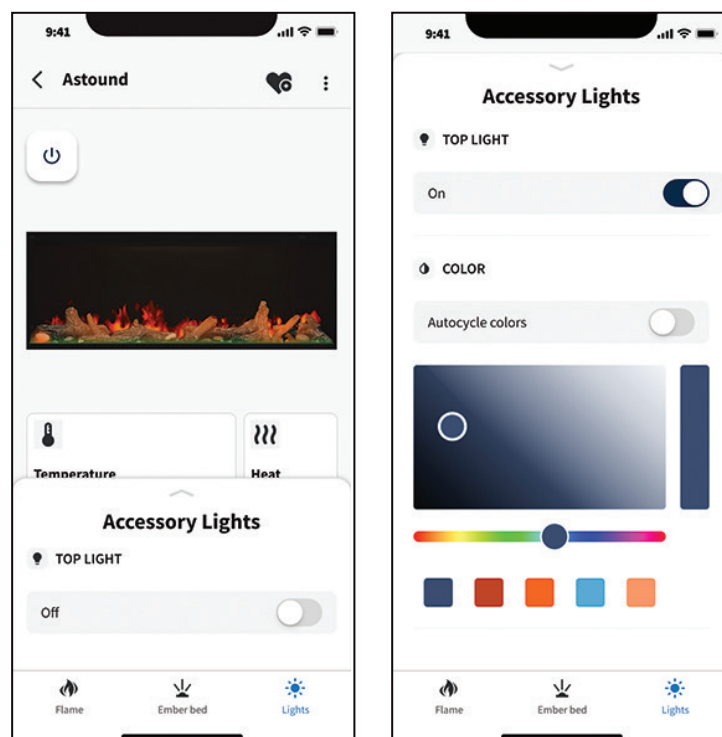
7.2.4 réglage de la flamme



Réglage de la flamme:

Contrôlez l'affichage des différentes couleurs de flamme en réglant le curseur pour chaque couleur de flamme. La vitesse de la flamme peut également être réglée sur cette page.

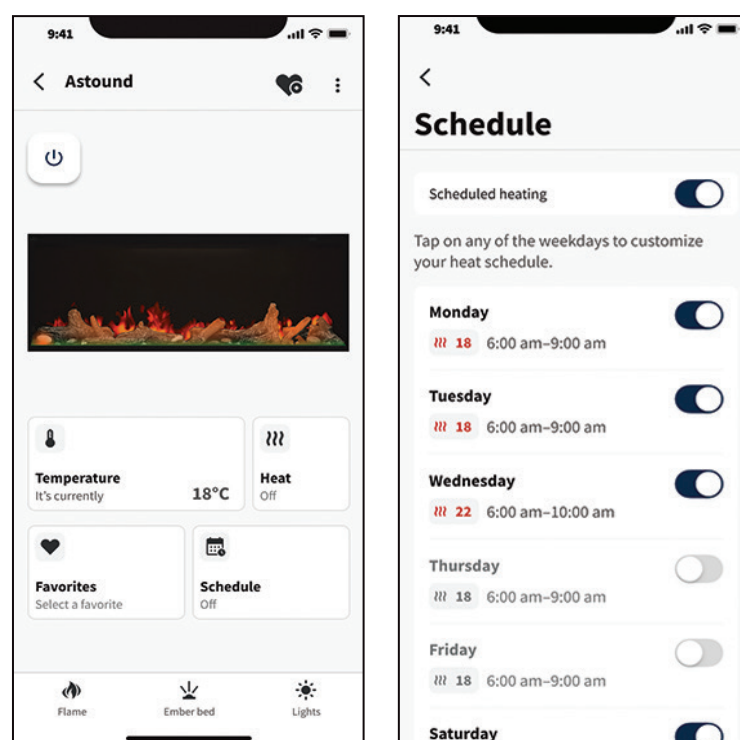
7.2.5 réglages des lumières accessoires



Réglage des lumières accessoires :

La luminosité de l'écran météo peut être contrôlée dans l'application, soit sur la page d'accueil lorsque l'appareil est éteint, soit dans l'onglet inférieur des lumières. L'éclairage latéral est également contrôlé à partir de l'onglet lights. La sélection de la chaleur de l'ampoule et la luminosité peuvent être modifiées dans cette section.

7.2.6 réglages de la minuterie



Réglages de la minuterie :

La fonction de minuterie est accessible à partir de la page principale. Sélectionnez dans la liste des temps pré-réglés pour régler une minuterie qui éteindra l'appareil une fois le compte à rebours terminé.

8.0 entretien

8.1 nettoyage

! AVERTISSEMENT

- Toujours éteindre le chauffage et débrancher le cordon d'alimentation de la prise avant de nettoyer, d'effectuer la maintenance ou de déplacer cet appareil. Le non-respect de cette consigne pourrait entraîner un choc électrique, un incendie ou des blessures corporelles.
- Ne jamais immerger dans l'eau ni pulvériser de l'eau. Ceci pourrait entraîner un choc électrique, un incendie ou des blessures corporelles.

Métal :

- Polissez en utilisant un chiffon doux légèrement humidifié avec un produit à base d'huile d'agrumes.
- N'utilisez pas de polish pour laiton ni de produits ménagers, car ils pourraient endommager la garniture en métal.

Verre:

- Utilisez un nettoyeur de bonne qualité pulvérisé sur un chiffon ou une serviette. Séchez soigneusement avec un essuie-tout ou un chiffon sans peluches.
- N'utilisez jamais de nettoyeurs abrasifs, de sprays liquides ni de tout nettoyeur pouvant rayer la surface.

Aération :

- Utilisez un aspirateur ou un plumeau pour enlever la poussière et la saleté des zones du chauffage et des aérations.

Plastique :

- Essuyez doucement avec un chiffon légèrement humidifié et une solution douce de liquide vaisselle et d'eau tiède.
- N'utilisez jamais de nettoyeurs abrasifs, de sprays liquides ni de tout nettoyeur pouvant rayer la surface.

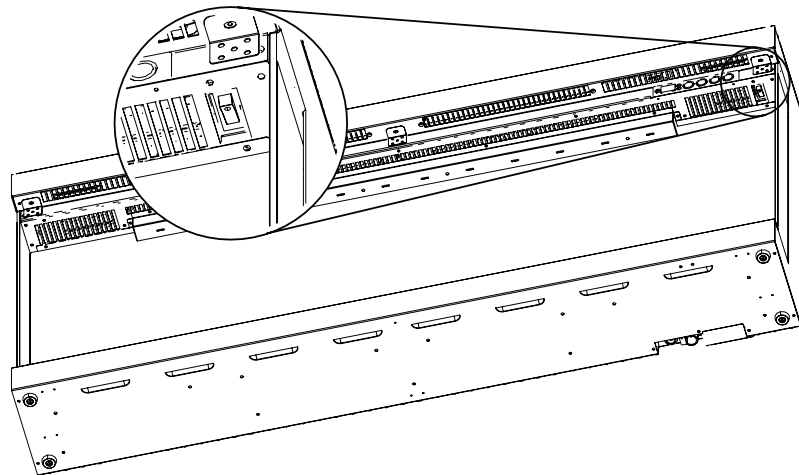


Les piles doivent être mises au rebut conformément aux lois et à la réglementation locales. Certaines piles peuvent être recyclées et acceptées dans votre centre de recyclage local. Renseignez-vous auprès de votre municipalité au sujet des directives de recyclage.

8.2 Le commutateur de verrouillage du chauffage

Cette cheminée comporte un interrupteur
Cette cheminée est équipée d'un interrupteur positionné derrière le verre frontal, sous le panneau tactile, servant de mécanisme supplémentaire pour verrouiller physiquement le fonctionnement du chauffage.

Lorsqu'il est activé, l'affichage clignotera "LOC" chaque fois que la fonction de chauffage est enfoncée et ne permettra pas au chauffage de s'allumer.



9.0 pièces de rechange

AVERTISSEMENT

- Omettre de positionner les pièces conformément à ce manuel ou d'utiliser uniquement des pièces spécifiquement approuvées pour cet appareil peut causer des dommages matériels ou des blessures corporelles.

Contactez votre revendeur pour toute question concernant les prix et les politiques en matière de pièces de rechange. Normalement, toutes les pièces peuvent être commandées auprès de votre revendeur/distributeur agréé.

Pour les pièces de rechange sous garantie, une photocopie de la facture d'origine sera nécessaire pour honorer la réclamation..

Lors de la commande de pièces de rechange, veuillez toujours fournir les informations suivantes :

- Modèle et numéro de série de l'appareil
- Date d'installation de l'appareil
- Numéro de pièce
- Description de la pièce

- Finition

Les pièces, leurs numéros et leur disponibilité sont sujets à changement sans préavis.

Les pièces identifiées comme étant en stock seront livrées dans un délai de 2 à 5 jours ouvrables pour la plupart des destinations de livraison.

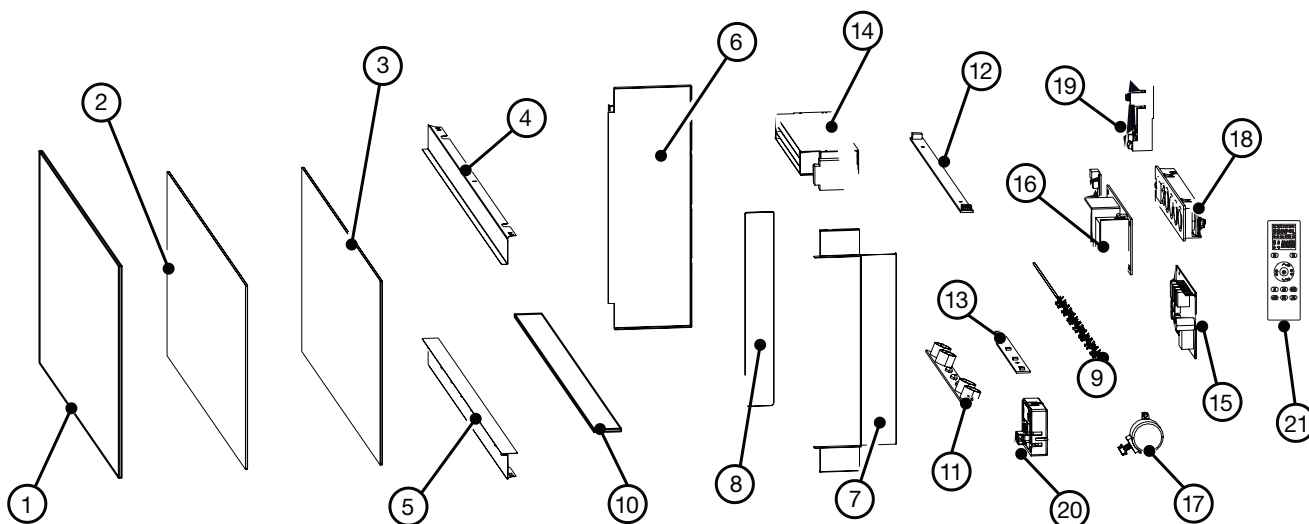
Les pièces non identifiées comme étant en stock seront livrées dans un délai de 2 à 4 semaines, pour la plupart des cas.

Les pièces identifiées comme "SO" sont des commandes spéciales et peuvent prendre jusqu'à 90 jours pour être livrées.

9.1 NEFL50/62/74AB

note:

Des précautions doivent être prises lors de l'élimination et de l'élimination de tout verre brisé ou de composants endommagés. Assurez-vous d'aspirer tout verre brisé de l'intérieur de l'appareil avant l'opération.



Les articles peuvent différer de ceux illustrés.

N°	Description	NEFL50AB	NEFL62AB	NEFL74AB
1	Verre frontal	W300-0441	W300-0442	W300-0443
2	Panneau de flamme en plastique	W565-0542	W565-0543	W565-0544
3	Panneau de flammes en verre	W300-0446	W300-0447	W300-0448
4	Encastrement supérieur Garniture	W715-1320	W715-1321	W715-1322
5	Garniture de l'encastrement inférieur	W715-10000207	W715-10000210	W715-10000209
6	Panneau latéral en retrait (fermé)	W715-1324 (2)		
7	Encastrement Garniture latérale (ouverte)	W715-1325 (2)		
8	Panneau latéral en verre	W300-0450 (2)		
9	Réflecteur	W010-6266	W010-6267	W010-6268
10	Lit de braises en plastique	W497-1655	W497-1656	W497-1657
11	Bandes de LED à flamme	W405-10000212 (4)	W405-10000212 (5)	W405-10000212 (6)

Le tableau continue à la page 104

N°	Description	NEFL50AB	NEFL62AB	NEFL74AB
12	Bandeau LED supérieur	W405-10000213 (2)	W405-10000213 (2)	W405-10000213 (3)
13	Bande de LED en braises	W405-10000214 (4)	W405-10000214 (5)	W405-10000214 (6)
14	Chauffage Assemblage de la soufflerie	W010-10000215 (2)		
15	Carte PCB principale	W190-0259		
16	Carte d'alimentation	W190-0260		
17	Moteur du réflecteur	W435-0090-SER		
18	Panneau de contrôle tactile	W190-0261		
19	Récepteur à distance	W190-10000217		
20	Capteur de température	W190-10000219		
21	Télécommande	W190-0252		
22*	Kit de quincaillerie	W370-0324	W370-0325	W370-0326
23*	Harnais de câbles	W750-0541	W750-0542	W750-0543
24*	Module Wifi PC	W010-6212		
25*	PCB de protection 120V/240V	W190-10000220		
26*	Filtre PCB	W190-10000221		

* Parties non illustrés.

(#) Le nombre entre parenthèses indique le nombre total de pièces dans le foyer. La quantité à commander est basée sur les besoins réels du service.

10.0 dépannage

AVERTISSEMENT

- Éteignez complètement l'appareil et laissez-le refroidir avant de procéder à toute opération d'entretien. Seule une personne qualifiée en service après-vente devrait entretenir et réparer cet appareil électrique.

symptôme	problème	solution
L'appareil ne s'allume pas lorsque l'interrupteur est mis à « on ».	L'appareil n'est pas branché dans une prise de courant.	Vérifiez la prise, et branchez dans l'appareil si nécessaire.
	Branchement par câble sont incorrectes.	Voir la section « branchement par câble ».
	L'appareil a surchauffé et le dispositif de sécurité a entraîné le déclenchement de l'interrupteur thermique.	Débranchez l'appareil et le disjoncteur, laissez-le refroidir pendant 15 minutes, puis branchez l'appareil ou allumez le disjoncteur.
	Issue avec le panneau PCB principal.	Inspectez la carte de circuit imprimé et remplacez-le si nécessaire.
L'appareil s'éteint et ne se rallume pas.	Le disjoncteur de la maison s'est déclenché.	Réinitialisez le disjoncteur.
	Le fusible de l'appareil a éteint.	Remplacez le fusible.
	L'appareil a surchauffé et le dispositif de sécurité a entraîné le déclenchement de l'interrupteur thermique.	Débranchez l'appareil et le disjoncteur, laissez-le refroidir pendant 15 minutes, puis branchez l'appareil ou allumez le disjoncteur.
L'appareil est revenue à les paramètres par défaut.	Panne de courant.	Reprogramme l'appareil au paramètres d'origine (pas applicable avec tous les appareils).
La télécommande ne fonctionne pas.	Les piles sont faibles.	Remplacez les piles de la télécommande.
	Dysfonctionnement du récepteur à distance.	Assurez-vous que le récepteur à distance n'est pas bloqué. Remplacez le panneau.
L'appareil n'émet aucune chaleur.	Réglage du chauffage n'est pas sélectionné.	Voir la section « fonctionnement ».
	Le chauffage a été verrouillé.	Voir la section « fonctionnement ».
	La température ambiante est plus élevée que le réglage de l'appareil (si réglée au température de la chambre).	Réinitialisez le réglage pour la température.
	L'appareil a surchauffé et le dispositif de sécurité a entraîné le déclenchement de l'interrupteur thermique.	Débranchez l'alimentation ou éteignez le disjoncteur. Laissez l'appareil refroidir pendant 15 minutes.
	Branchement par câble sont incorrectes.	Voir la section « branchement par câble ».
	Problème avec le chauffage.	Inspectez la soufflerie and le chauffage, et les remplacez si nécessaire.
La chauffage s'éteint automatiquement.	La salle est trop chaude.	L'appareil est équipé d'un thermostat intégré et s'éteindra automatiquement lorsque la température programmée sera atteinte. Il s'allumera automatiquement lorsque la température de la pièce descendra en dessous de la température programmée.

symptom	problem	solution
Flamme faible ou inexistante	Éclat de flamme n'est pas sélectionné.	Voir la section « fonctionnement ».
	Problème avec les flamme DELs.	Vérifiez les DELs et remplacez-les si nécessaire.
	Problème avec le panneau PCB principal.	Vérifiez le panneau PCB principal et remplacez-le si nécessaire.
La flamme ne bouge pas.	Le moteur est calé / ne fonctionne pas	Cycle de marche / arrêt. Si le problème persiste, consultez votre détaillant.
Le lit de braises s'aillumine pas ou ne diminue pas en luminosité.	Luminosité n'est pas sélectionné.	Voir la section « fonctionnement ».
	Problème avec les DEL de braises.	Vérifiez les DEL de braises et remplacez-les si nécessaire.
	Problème avec le panneau PCB principal.	Vérifiez la panneau PCB principal et remplacez-le si nécessaire.
DEL clignote « OH ».	L'appareil a surchauffé et le dispositif de sécurité a entraîné le déclenchement de l'interrupteur thermique.	Débranchez l'appareil et le disjoncteur, laissez-le refroidir pendant 15 minutes, puis branchez l'appareil ou allumez le disjoncteur. Si le problème persiste, consultez votre détaillant.
DEL clignote « E1 ».	Code d'erreur pour le capteur de température	Consulter le revendeur local.
		Inspecter / remplacer le capteur de température.
DEL clignote « E2 ».	Code d'erreur pour le ventilateur	Consulter le revendeur local.
		Inspecter le faisceau de câbles / remplacer l'ensemble soufflerie et chauffage.
DEL clignote « E3 ».	Code d'erreur pour le chauffage	Consulter le revendeur local.
		Inspecter le faisceau de câbles / remplacer l'ensemble soufflerie et chauffage.
DEL clignote "WIN"	Notification d'ouverture de fenêtre	Le foyer a détecté que la température de la pièce a baissé de manière significative alors que le chauffage est en marche, ce qui indique qu'une porte ou une fenêtre de la pièce est ouverte et que le foyer ne chauffe plus efficacement ; il a donc éteint le chauffage pour économiser l'électricité. Appuyez sur les touches "X" et "OK" de la télécommande et maintenez-les enfoncées tout en pointant la cheminée, ou utilisez l'application Napoléon Home App pour réinitialiser la notification d'alerte. Si le problème persiste, consultez votre revendeur.
L'appareil ne s'allume pas et émet un long BIP continu lorsqu'il est mis sous tension ou branché.	120/240V Le PCB de protection a détecté un défaut dans la connexion d'alimentation.	Consulter le revendeur local.
		Inspecter la connexion des fils.

11.0 garantie

Les appareils électriques **Napoléon** sont fabriqués conformément aux normes strictes du Système de Gestion de la Qualité mondialement reconnu ISO 9001 : 2015.

Les produits **Napoléon** sont conçus avec des composants et des matériaux de qualité supérieure, assemblés par des artisans qualifiés qui sont fiers de leur travail. Une fois assemblé, chaque appareil est soigneusement inspecté par un technicien, une agence de service, ou un distributeur qualifié(e) ou autorisé(e) avant d'être emballé pour garantir que vous, le client, recevez le produit de qualité dont vous vous attendez de **Napoléon**.

Garantie Prime Des Appareils Électriques Napoléon

Les composants électriques et les pièces soumises à l'usure sont couverts et **Napoléon** fournira gratuitement les pièces de rechange durant les première 2 années de la garantie prime. Ceci couvre: le ventilateur/l'appareil de chauffage, les moteurs, les interrupteurs, les roulements à billes en nylon, les télécommandes et les lumières de DEL.

Les ampoules et fusibles NE SONT PAS couvert par la garantie. Dans la première année seulement, les coûts de main-d'œuvre relatifs aux réparations garanties sont couverts. * La fabrication de chaque modèle varie. La garantie s'applique uniquement aux composants disponibles avec votre appareil spécifique.

Conditions et Limitations

Napoléon garantit ses produits contre les défauts de fabrication à l'acheteur d'origine seulement. L'enregistrement de la garantie n'est pas nécessaire. Fournissez simplement une preuve d'achat ainsi que le modèle et le numéro de série afin d'effectuer une réclamation de garantie. L'achat doit avoir été fait par l'entremise d'un détaillant **Napoléon** autorisé et sous réserve des conditions et limitations suivantes:

La couverture de la garantie débute à partir de la date d'installation originale.

Cette garantie du fabricant n'est pas transférable et ne peut être prolongée par aucun de nos représentants.

L'installation doit être faite conformément aux instructions d'installation incluses avec le produit et à tous les codes d'incendie et de construction locaux et nationaux.

Cette garantie prime ne couvre pas les dommages causés par un mauvais usage, un manque d'entretien, un accident, des altérations, des abus, ou de la négligence, et l'installation de pièces d'autres fabricants annulera cette garantie.

Cette garantie prime ne couvre pas non plus les égratignures, les bossellements, la corrosion, ou la décoloration causée par une chaleur excessive, des produits d'entretien chimiques et abrasifs ou l'écaillage de pièces en porcelaine émaillée, le bris par manipulation des bûches PHAZER^{MD}.

Au cours de les première 2 années seulement, cette garantie s'étend à la réparation ou au remplacement des pièces garanties dont les matériaux ou la fabrication sont défectueux à la condition que le produit ait été utilisé conformément aux instructions de fonctionnement et dans des conditions normales.

Après la première année, **Napoléon** ne sera pas responsable de l'installation, de la main d'œuvre, ou autres coûts ou dépenses relatives à la réinstallation d'une pièce garantie, et de telles dépenses ne sont pas couvertes par cette garantie.

Nonobstant toutes les dispositions contenues dans cette garantie limitée, la responsabilité de **Napoléon** sous cette garantie est définie comme ci-dessus, et elle ne s'étendra à aucun dommage accidentel, consécutif, ou indirect. Cette garantie définit l'obligation et la responsabilité de **Napoléon** en ce qui concerne l'appareil électrique **Napoléon**. Toute autre garantie énoncée ou implicite en ce qui concerne ce produit, ses composants ou accessoires est exclue. **Napoléon** n'endosse, ni n'autorise aucun tiers à assumer en son nom, toutes autres responsabilités concernant la vente de ce produit.

Tous dommages causés à l'appareil, aux garnitures en laiton ou autres composants par l'eau, les dommages causés par les intempéries, de longues périodes d'humidité, la condensation, des produits chimiques, ou produits d'entretien nuisibles ne seront pas la responsabilité de **Napoléon**.

Napoléon se réserve le droit de demander à son représentant d'inspecter tout produit ou pièce avant d'honorer toute réclamation. Toutes les pièces remplacées en vertu de la politique de la Garantie Prime ne peuvent faire l'objet que d'une seule réclamation. Toutes les pièces remplacées au titre de la garantie seront couvertes pour une période de 90 jours à partir de leur date d'installation. Le fabricant peut exiger que les pièces défectueuses ou les produits soient retournés ou que des photos numériques soient fournies pour valider la réclamation. Les produits retournés doivent être expédiés port payé au fabricant pour une inspection en usine. Si un produit est déclaré défectueux, le fabricant le réparera ou le remplacera. Avant d'expédier votre appareil ou les pièces défectueuses, votre détaillant doit obtenir un numéro d'autorisation. Toute marchandise expédiée à notre usine sans autorisation sera refusée et retournée à l'expéditeur.

Les coûts d'expédition ne sont pas couverts par cette garantie. Des frais de service supplémentaires peuvent être appliqués si vous cherchez à obtenir des services au titre de la garantie auprès d'un détaillant.

Toutes les spécifications et les conceptions sont sujettes à modifications sans préavis en raison des améliorations constantes apportées aux produits. **Napoléon** est une marque de commerce déposée de Wolf Steel Ltée.



NAPOLÉON CÉLÈBRE PLUS DE 40 ANS D'EXISTENCE CONSACRÉS À LA CONCEPTION DE PRODUITS DE CONFORT



7200, Route Transcanadienne, Montréal, Québec H4T 1A3
24 Napoleon Road, Barrie, Ontario, Canada L4M 0G8
214 Bayview Drive, Barrie, Ontario, Canada L4N 4Y8
103 Miller Drive, Crittenden, Kentucky, USA 41030
De Riemsdijk 22, 4004 LC Tiel, Pays-Bas

Téléphone : 1-866-820-8686
napoleon.com