



UE29 LCD
ELECTRIC FIREPLACE INSERT

UPTOWN
LUXURY ELECTRIC FIREPLACES



UE29 LCD

ELECTRIC FIREPLACE INSERT



Eight High Definition LCD Flame Options Included

Insert Specifications

Voltage	120v		
Glass Size	17½" h x 28½" w		
Insert Dimensions	HEIGHT	WIDTH	DEPTH
	19"	28½"	13¾"

Please see owners manual for most up to date specifications



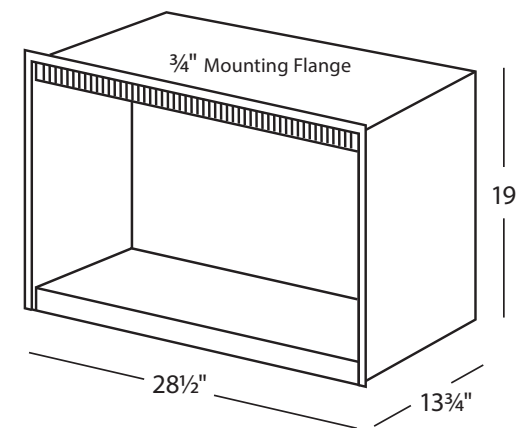
Western Timber Real Log Set

Design Features

- Thermostat Compatible
- 1500w Electric Heater
- Glowing Embers
- Ambient Crackling Fire Sounds
- App Control / Touch Remote
- Next Gen Flame Technology
- Modern Design
- Install as Insert or Fireplace
- Western Timber Real Log Set
- Steel Fire Grate
- 3 Year Warranty

Surrounds

- Standard Surround
 - 3 Sided — 23½" h x 37¾" w
 - 4 Sided — 28" h x 37¾" w
- Oversized Surround
 - 3 Sided — 26" h x 43¼" w
 - 4 Sided — 33½" h x 43¼" w
- Forgeworks Face
 - 23½" h x 37¾" w
- Custom Surround Panel



POP-381

uptownfireplaces.com

UPTOWN
LUXURY ELECTRIC FIREPLACES

A product of Sherwood Industries Ltd. Victoria, BC, Canada | Printed in Canada, August 2024