

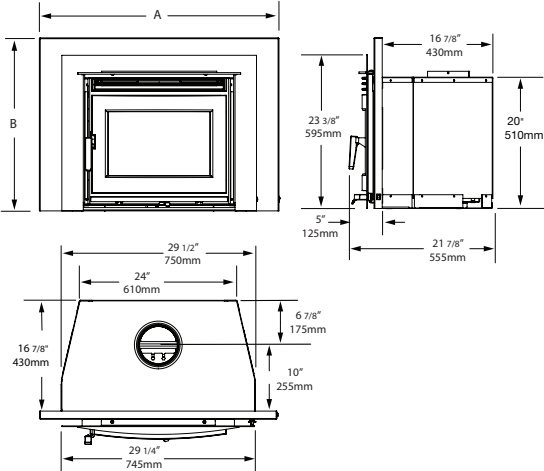


NEO 1.6 INSERT LE

FOR SMALL TO MEDIUM SPACES



UNIT DIMENSIONS



SURROUND SIZE

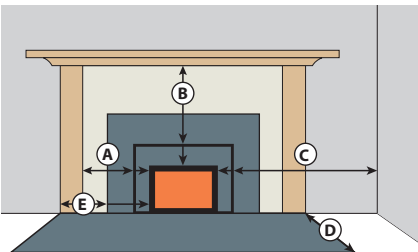
	Standard	Oversize
A (width)	36"	46"
B (height)	26"	30"

TECHNICAL DATA

23,200 BTU EPA Test Fuel

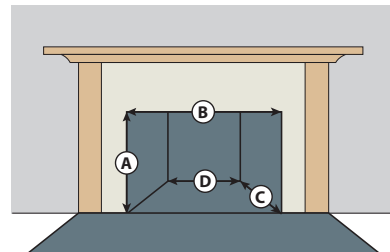
Efficiency (HHV)	72%
Emissions	1.9 gm/hr.
Log Size (recommended)	16 in.
Log Size (max)	17 in.
Firebox Size	1.6 cu.ft.
Glass Viewing Area	147 sq.in.
Weight	285 lbs.

CLEARANCES TO COMBUSTIBLES



A	9 1/2"
B	13"
C	13"
D (Canada)	18"
D (USA)	16"
E	8"

MINIMUM FIREPLACE OPENING



A	20 1/4"
B	30"
C	17"
D	24 1/2"