

URBANA

LUXURY FIREPLACES



THE
HALO
LINEAR FIRE PIT

A MODERN PATIO MASTERPIECE

Urbana Luxury Fireplaces newest addition to our Halo lineup of gas fire pits has been designed with a linear patio layout front of mind. The clean modern appearance of the Halo Linear Fire Pit fits accents perfectly with most outdoor furniture sets. The soft glow of the LED ring helps set the mood without distracting from the impressive flame. The exclusive *Spyder* burner design uses 170,000 BTU'S to create an organic burn pattern that delights the senses and looks incredible above your choice of crushed glass or lava rock. Designed & built in North America, the stainless steel fire pit can withstand the harsh elements of the outdoors so it can be ready to perform when you are.

Fire Pit Media Options



Lava Rock



Crushed Glass

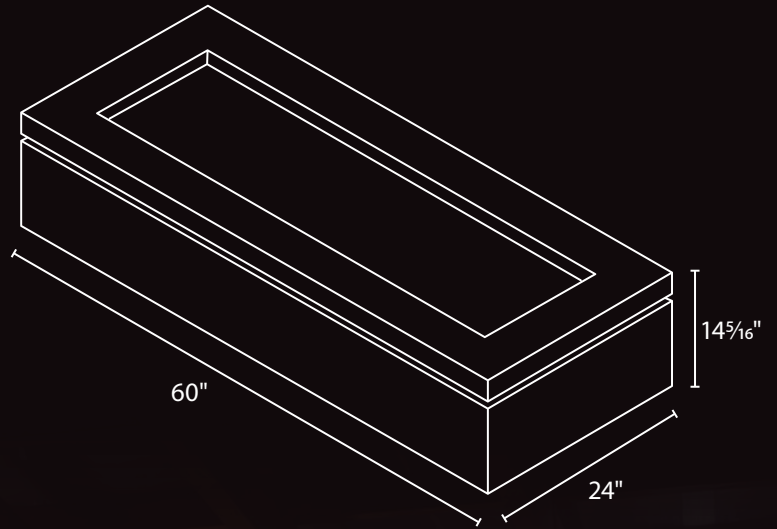


Glass Wind Guard

Specifications

BTU Max. Input - NG/LP	170 000 BTU		
Small Size Dimensions	WIDTH	DEPTH	HEIGHT
	60"	24"	14 ⁵ / ₁₆ "

Please see owners manual for most up to date specifications



Features

- Heavy gauge, hand-welded stainless-steel chassis
- Custom designed stainless steel *Spyder* burner
- Clean flame technology, brass venturi - pre-mixing
- Adjustable flame height
- 24V ignition valve system
- Auto shut-off safety system
- Quick start pilot with hot surface ignitor
- Soft white LED accent lighting
- Water evacuation designed rust resistant brass/stainless fitting
- Up to 170 000 BTU with 50% Turn down
- Various media burner combinations to customize your fire pit
- High-quality fabric cover included
- Built-in adjustable leveling legs
- Optional tempered glass wind guard
- Exclusively sold through specialty hearth retailers



DESIGNED
& BUILT IN
★ NORTH AMERICA

URBANA
LUXURY FIREPLACES

LEARN MORE ONLINE
urbanafireplaces.com



Manufactured by Sherwood Industries Ltd.
Victoria, British Columbia, Canada | July 2024