

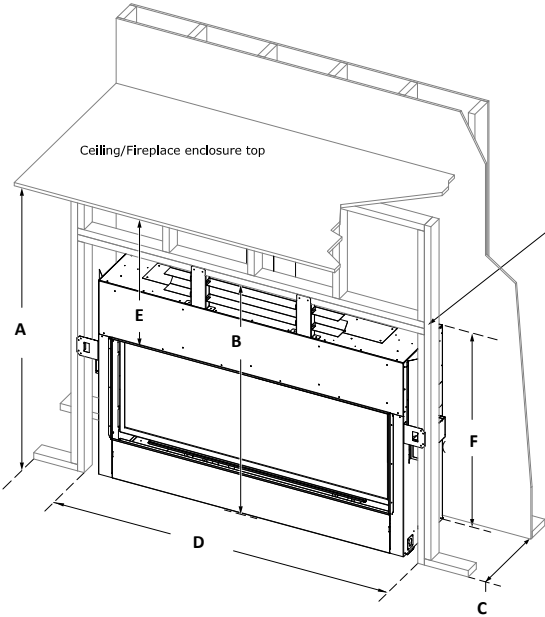
Please leave these reference guides at the installa. on location until the installation is finished. See owners manual for full installation and finishing instructions before making final decisions as information is subject to change.

Specifications (all measurements are in inches)

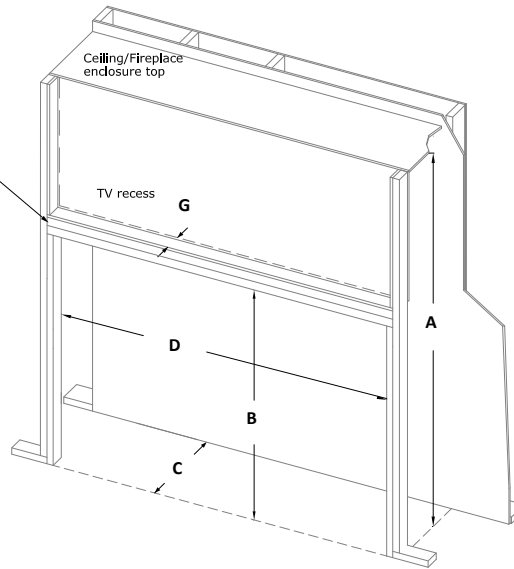
• GAS LINE OPENING: LEFT SIDE • ELECTRICAL ACCESS: RIGHT SIDE

Model	BTU	Height		Front Width		Back Width		Depth		Glass Viewing Area
		Actual	Framing	Actual	Framing	Actual	Framing	Actual	Framing	
NDK-48TL	51,000	46-1/8	57	57-1/2	65-1/2	57-1/2	65-1/2	19-1/2	19-1/2	50-3/8 x 22-1/2

Framing Opening



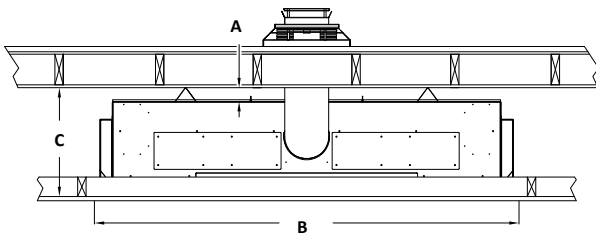
Nominal 2"x4" framing used in interior enclosure framing



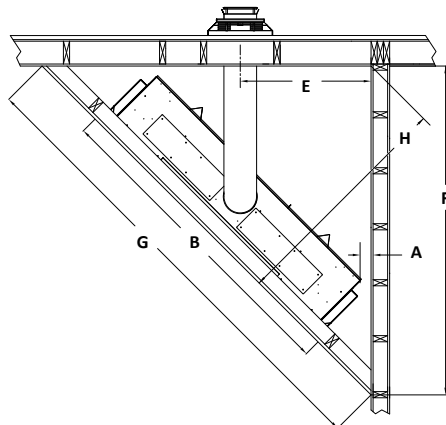
Dimension	NDK-48TL
A	84
B	57
C	19-1/2
D	65-1/2
E	50-3/8
F	46-1/8
G	4-1/4

Typical Installations

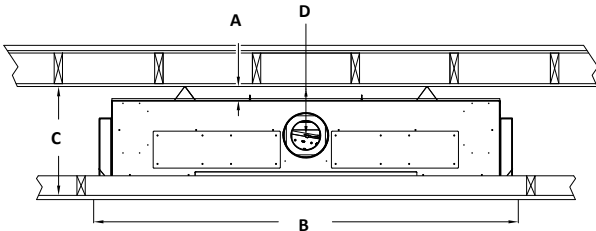
TYPICAL HORIZONTAL INSTALLATION



TYPICAL CORNER INSTALLATION



TYPICAL VERTICAL INSTALLATION



Dimension	NDK-48TL
A	2-5/8
B	65-1/2
C	19-1/2
D	8-3/4
E	27-1/4
F	70-7/8
G	100-1/4
H	49-1/4

Vent Termination on Framing

The following information applies to all standard, and Komfort Zone Kit design options.

If using Kozy Power Vent #KPV, please reference the manual included with the kit.

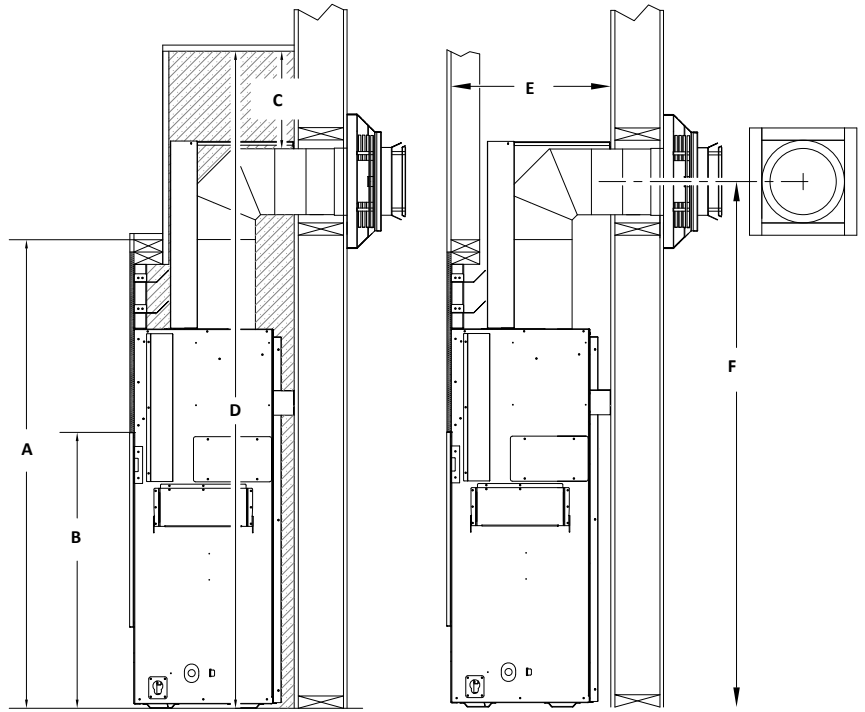
Vent Termination Location

- Natural Draft: Exterior vent termination location must be in compliance with section 7.0, TERMINATION LOCATIONS on page 37 in the manual.
- Power Vent System: See the #KPV manual that came with the power vent system for termination location requirements

Clearances

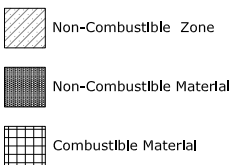
- A minimum of 1" clearance on all sides of the vertical vent pipe must be maintained.
- A minimum of 1" clearance from the top surface on the horizontal pipe must be maintained.
 - When the fireplace is installed at the minimum chamber height any horizontal venting must have a minimum clearance of 11-3/8" from the top of the chamber. The horizontal pipe after the wall pass-through must maintain a 1" clearance to combustible on all surfaces of the pipe.
- A minimum of 1" clearance on the sides and bottom surfaces on the horizontal pipe must be maintained.

NOTE: Elbows listed with approved vent systems for this appliance vary in vertical length. Please consult the vent manufacturer's instructions to determine the elbow dimension used for installation. Adjust the wall pass-through rough opening dimensions as necessary to maintain clearance requirements.

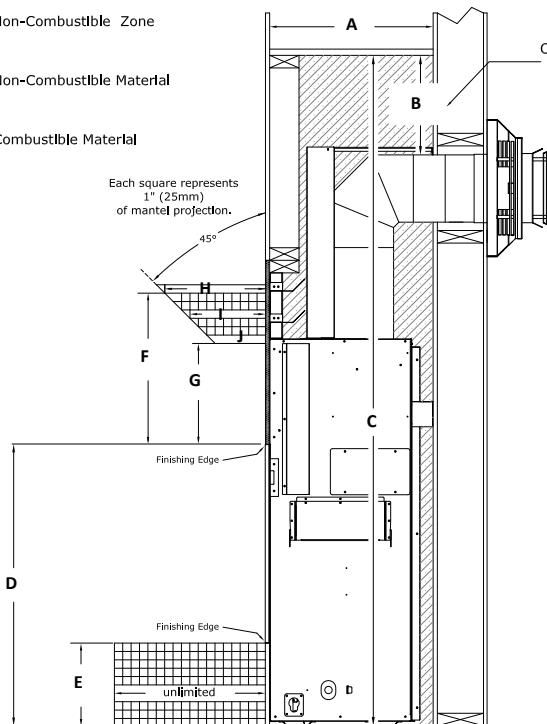


Dimension	NDK-48TL
A	60
B	33-5/8
C	11-3/8
D	84
E	19-1/2
F	68-5/8

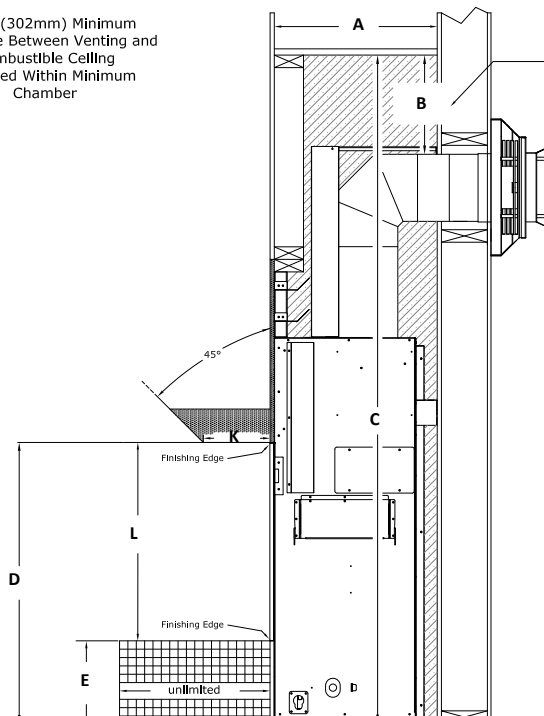
Mantel Projections



Each square represents 1" (25mm) of mantel projection.



11-3/8" (302mm) Minimum Clearance Between Venting and Combustible Ceiling Required Within Minimum Chamber



11-3/8" (302mm) Minimum Clearance Between Venting and Combustible Ceiling Required Within Minimum Chamber

Dimension	NDK-48TL
A	19-1/2
B	11-3/8
C	84
D	33-5/8
E	9-7/8
F	18-1/2
G	12-1/2
H	12
I	9
J	6
K	8
L	23-3/4