

READ ALL THESE STEPS BEFORE STARTING INSTALLATION. LEAVE THESE INSTRUCTIONS WITH THE APPLIANCE.

This kit must be installed by a qualified installer, service agency, or gas supplier at the time of the heater installation.

These instructions must be used in conjunction with the installation and operation manual provided with the appliance.

Please read all appliance owner’s manual completely before performing any procedures in these instructions.



English and French installation manuals are available through your local dealer. Visit our website www.kozyheat.com.

Les manuels d'installation en français et en anglais sont disponibles chez votre détaillant local. Visitez www.kozyheat.com.

- 1.0 Introduction..... 3**
 - 1.1 Kit Contents 3
 - 1.2 Suggest Configurations 4
 - 1.3 Dimensions and Overview 5
 - 1.4 Air Duct Run..... 6
- 2.0 Framing and Clearances 7**
 - 2.1 Clearance to Sprinkler 7
 - 2.2 Framing..... 8
- 3.0 Facing and Finishing 11**
 - 3.1 Non-combustible Requirements 13
 - 3.2 Finish Requirements 14
 - 3.3 Hearth and Mantel Clearances 15
- 4.0 Fireplace Preparation & Installation..... 16**
 - 4.1 Nordik 60TL 16

INSTALLER: Leave this manual with the appliance.
CONSUMER: Retain this manual for future reference.

IMPORTANT: Failure to read and follow these instructions may create a possible hazard and will void the fireplace warranty.

This optional convection duct kit redistributes the warm air flow away from the fireplace opening to a more desirable location using natural convection without the use of a fan. The warm air flow would be relocated to a position higher up the wall. The result is much cooler wall temperatures above the fireplace opening for locating televisions, artwork, etc.

1.0 Introduction

1.1 Kit Contents

ALL kit contents must be installed.

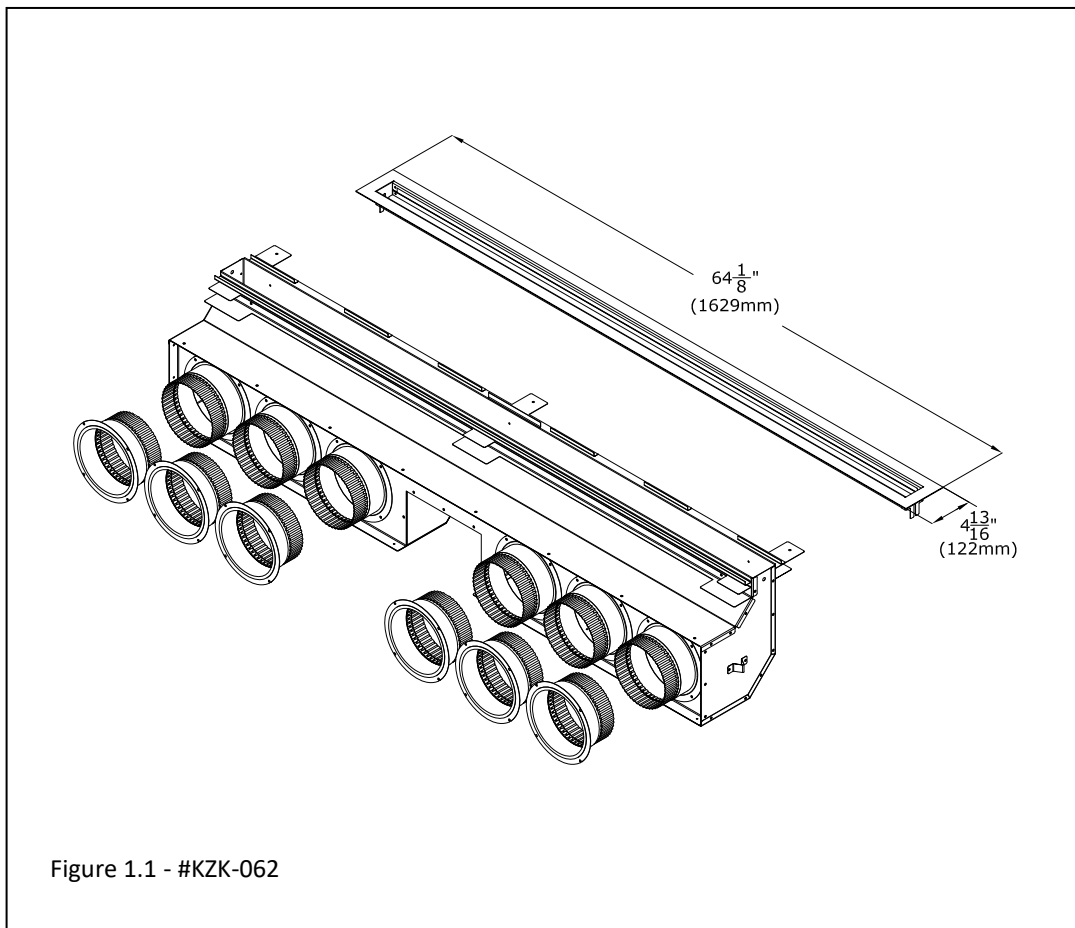
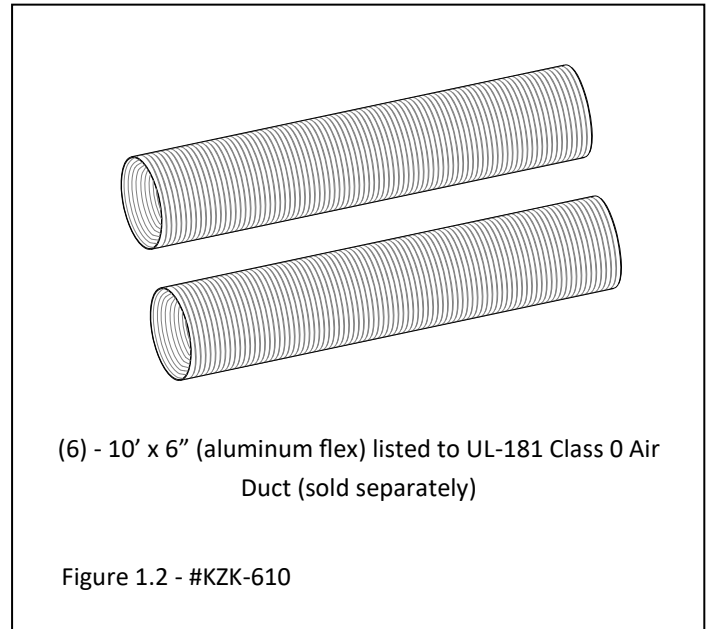
- (1) 62" plenum kit: KZK-062
- (1) plenum discharge trim: KZK-062DT
- (2) plenum support brackets
- (12) 6" collars - (6) to attach to the bottom of the plenum; (6) to attach to the unit where the cover plates are removed.

Additional Required Items

- (1) KZK-610 (sold separately) is used for a 10' vent run. If you are mounting the plenum above the fireplace 10' (3m) or less, use (1) KZK-610 kit.

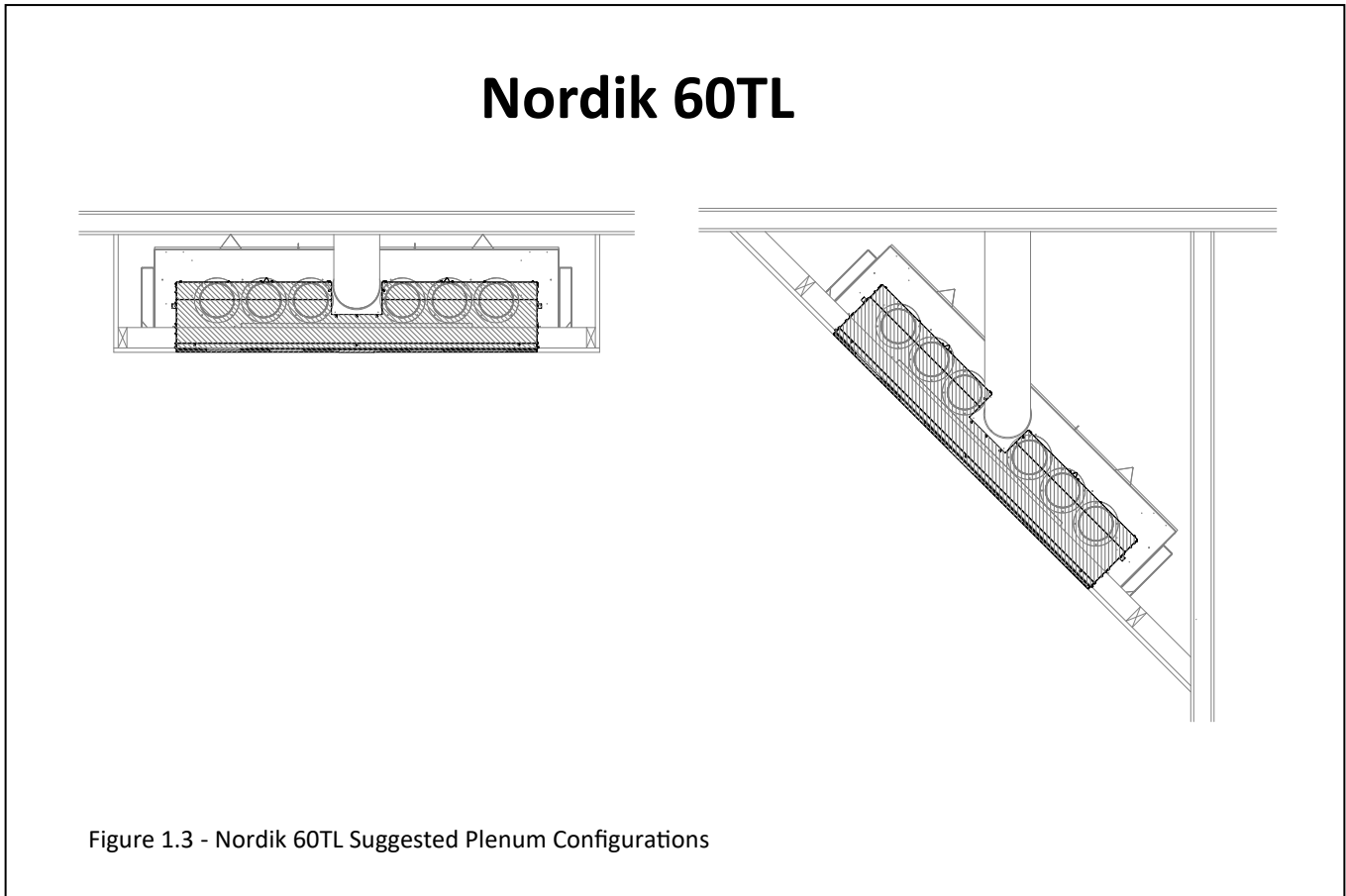
Optional Items

- If you are mounting the plenum above the fireplace between 10' to 20', you will need (2) KZK-610 kit and (1) #KZK-CPL6 coupler kit. KZK-CPL6 (sold separately) is (6) 6" couplers that connect (2) KZK-610.



1.2 Suggested Configurations

- When installing the #KZK-062, take in consideration the fireplace venting and the plenum tube configuration.
- The #KZK-062 plenum must be installed so it discharges heat into the room the Nordik 60TL is installed in.



1.3 Dimensions and Overview

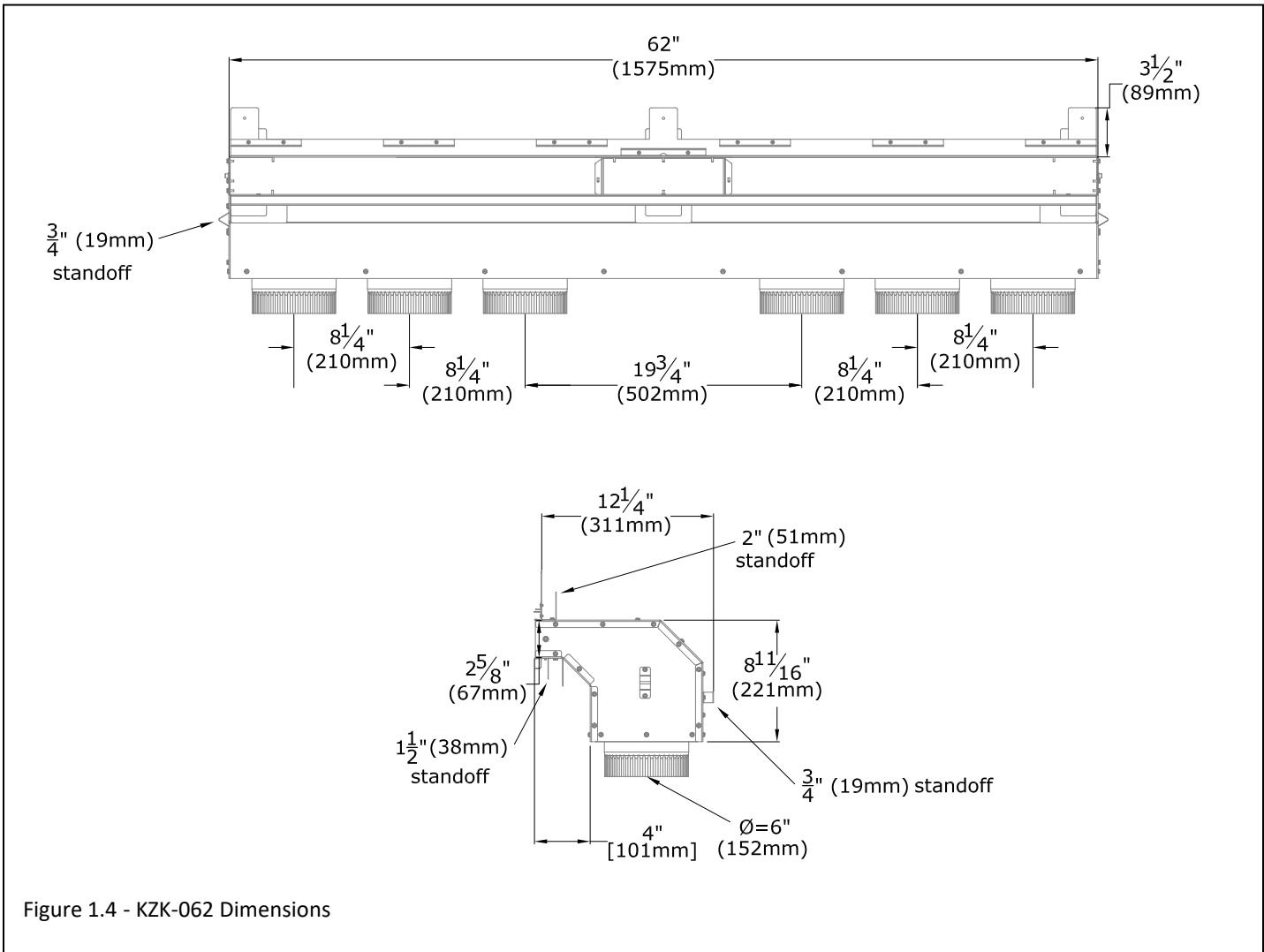


Figure 1.4 - KZK-062 Dimensions

1.4 Air Duct Run

IMPORTANT: The air duct pipe cannot run horizontally without a vertical rise.

IMPORTANT: The 1/2" clearance around the air duct pipes must be maintained.

Use #KZK-610 UL181 Class 0 Air Duct piping to connect the plenum(s) to the unit.

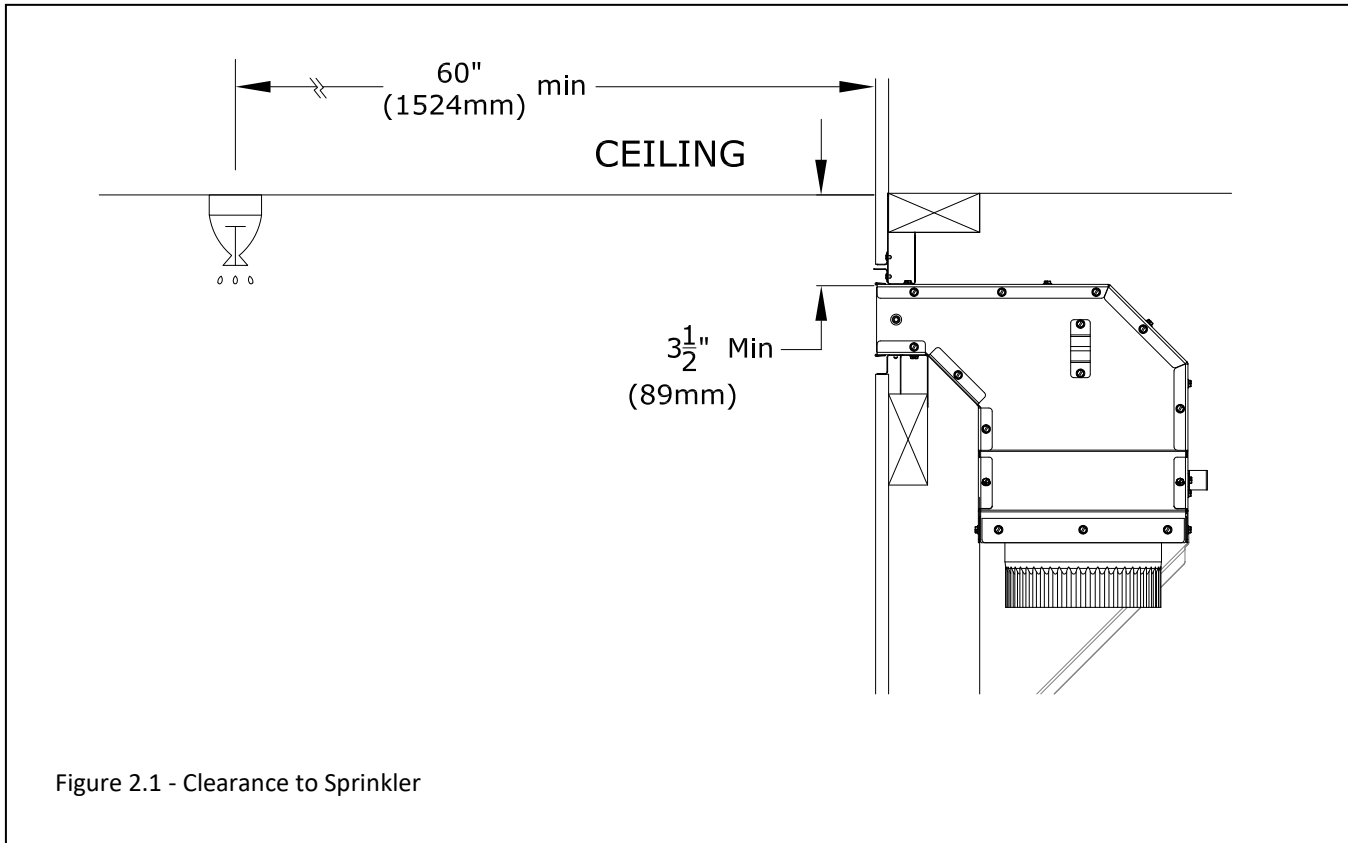
Hussong Mfg. Co., Inc. requires pipes to be listed as UL181 Class 0 Air Duct to connect the plenum(s) to the unit.

Maximum Vent Run: 20' (6m)

2.0 Framing and Clearances

2.1 Clearance to Sprinkler

- In a situation where a sprinkler head is installed within the proximity to a #KZK discharge opening, the diagram below MUST be followed.
- The distance between a sprinkler head and discharge opening cannot be less than 60" (1524mm) in length at every point from the origin of the discharge opening. You must also verify the sprinkler head sensor is set to the proper heat setting so it does not activate when the room heats up from the fireplace being operated normally.
- Please follow local building codes to determine what temperature setting is relevant for your installation.



2.2 Framing

Shown in this section are the rough opening dimensions and clearances for the plenum, unit installation, and unit installation with a TV recess construction.

Rough opening framing dimensions should allow for wall covering thickness and facing materials. Please refer to Section 3.0 for specific facing and finishing options.

Figure 2.3 shows the minimum height of plenum framing from the base of that specific fireplace.

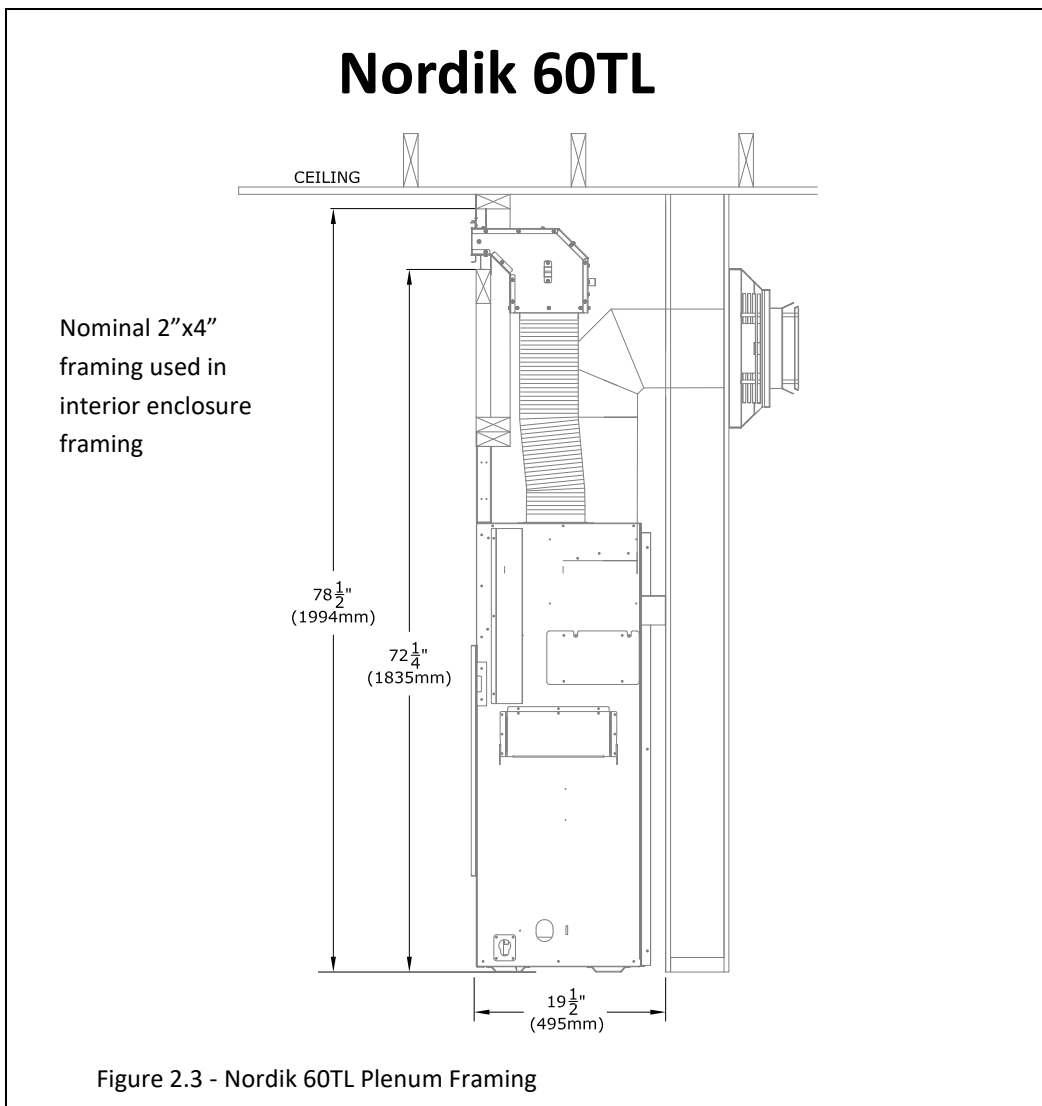
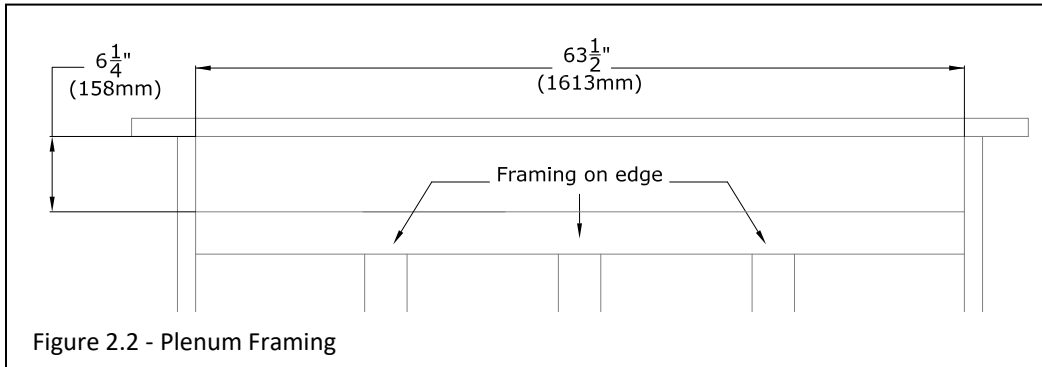
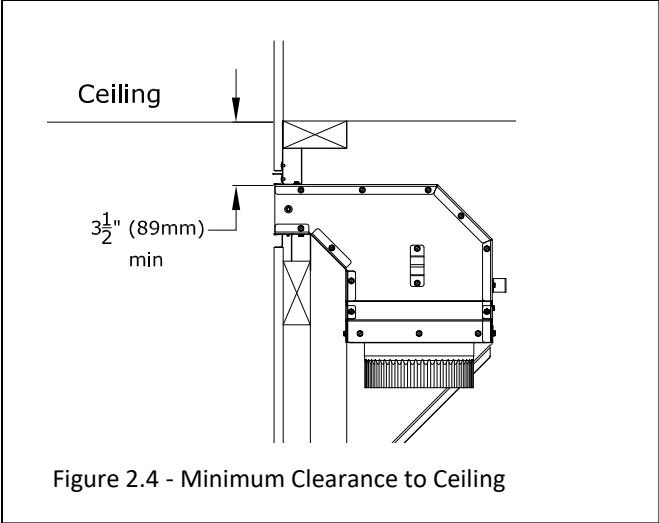


Figure 2.4 shows the minimum clearance between the top of the plenum opening and the ceiling. This applies to all models.

Figure 2.5 shows the minimum height of plenum framing from the top finishing edge of the fireplace. This applies to the Nordik 60TL.



Nordik 60TL

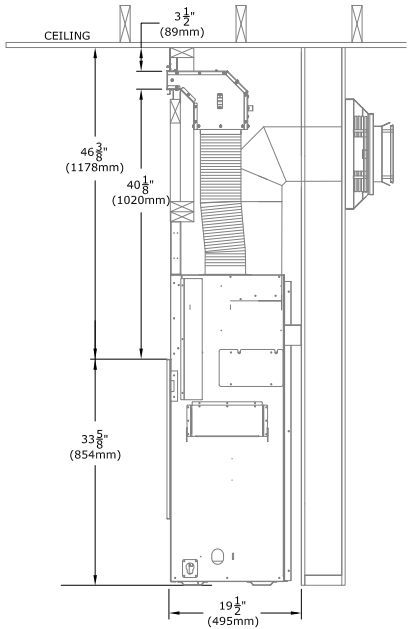
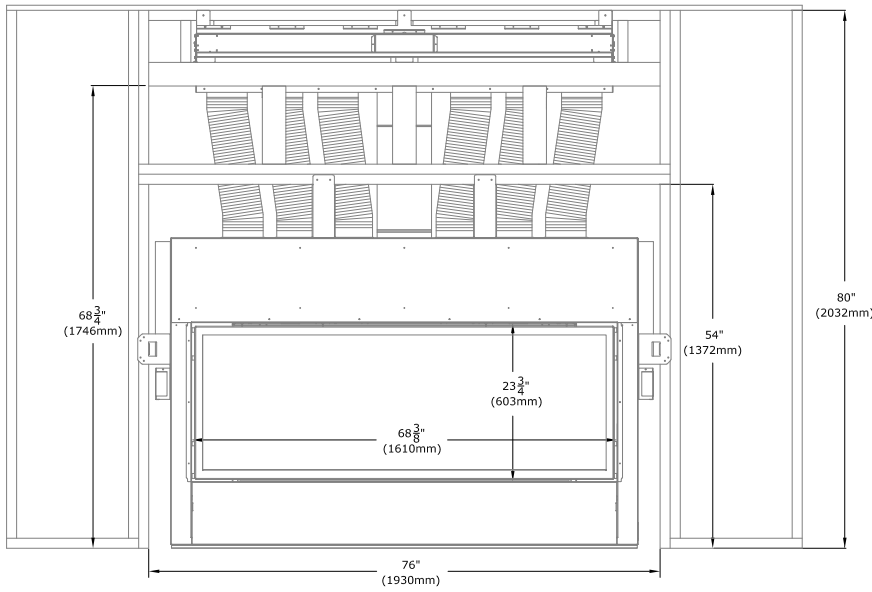


Figure 2.5 - Nordik 60TL Plenum Framing

Nominal 2"x4" framing used in interior enclosure framing

Figure 2.6's left image has all the framing is flush with the fireplace. The right image shows the minimum clearance to the recessed TV pocket from the base of the fireplace. The allowed TV recess of 4-1/4" (108mm) measures from the front of the nominal 2x4 framing to the backside of the finishing material of the pocket.

Nordik 60TL

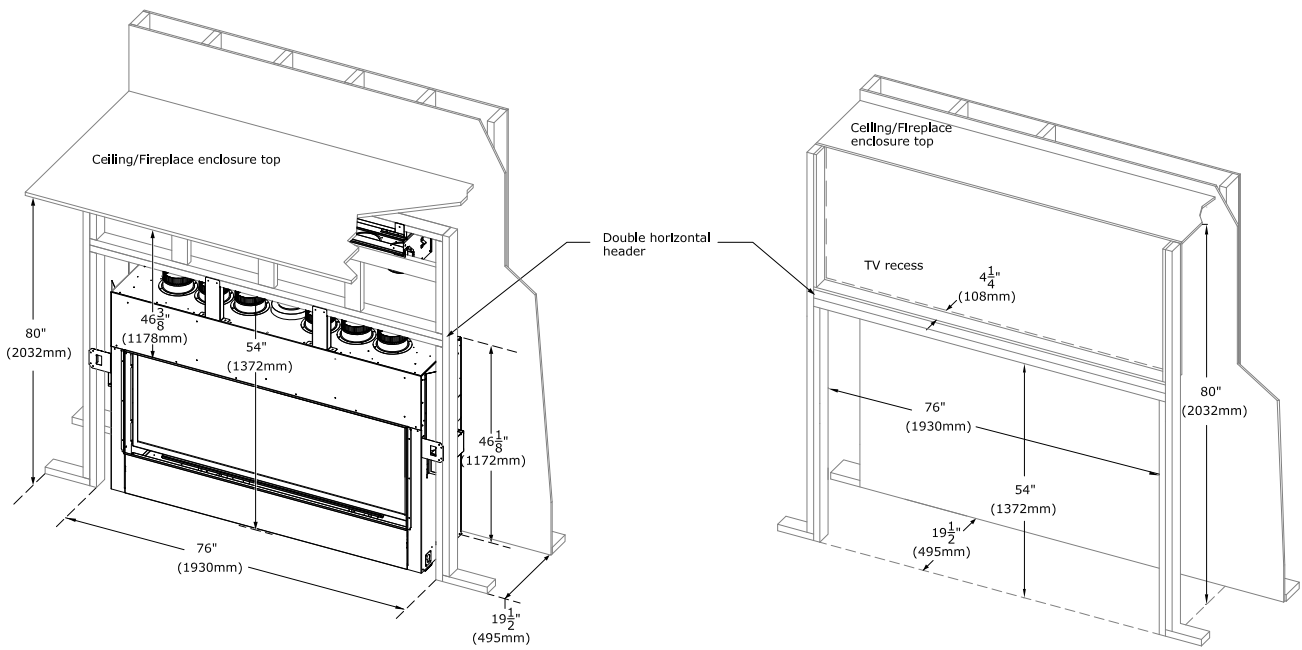
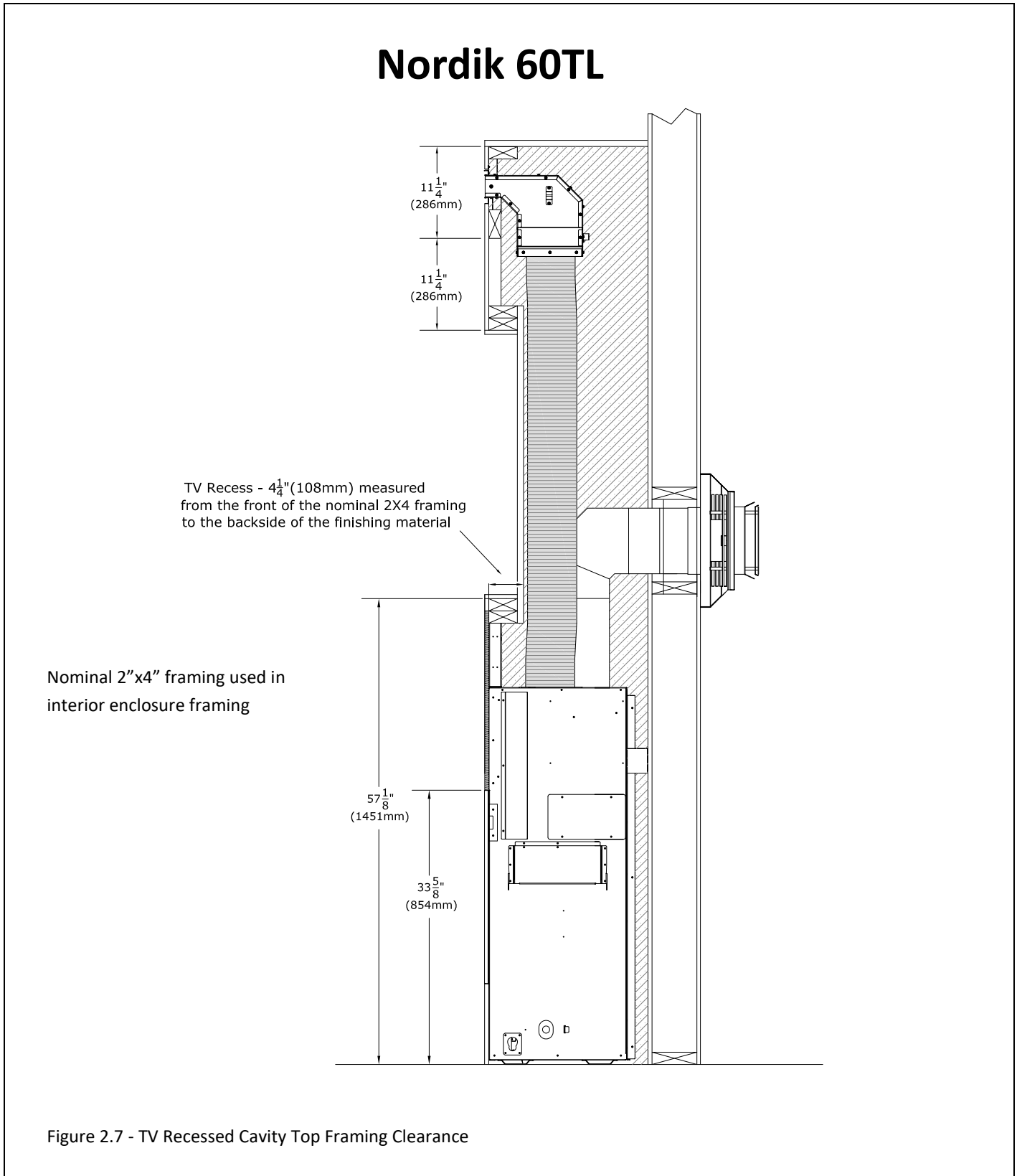


Figure 2.6 - Nordik 60TL Wall Enclosure Rough Opening

Nominal 2"x4" framing used in interior enclosure framing

Figure 2.7 shows the minimum distance of the top of the recessed TV pocket from the KZK plenum. This minimum clearance creates the necessary clearance for the plenum tubes to come off the plenum and bend around the recessed TV pocket.



3.0 Facing and Finishing

3.1 Non-Combustible Requirements

Nordik 60TL

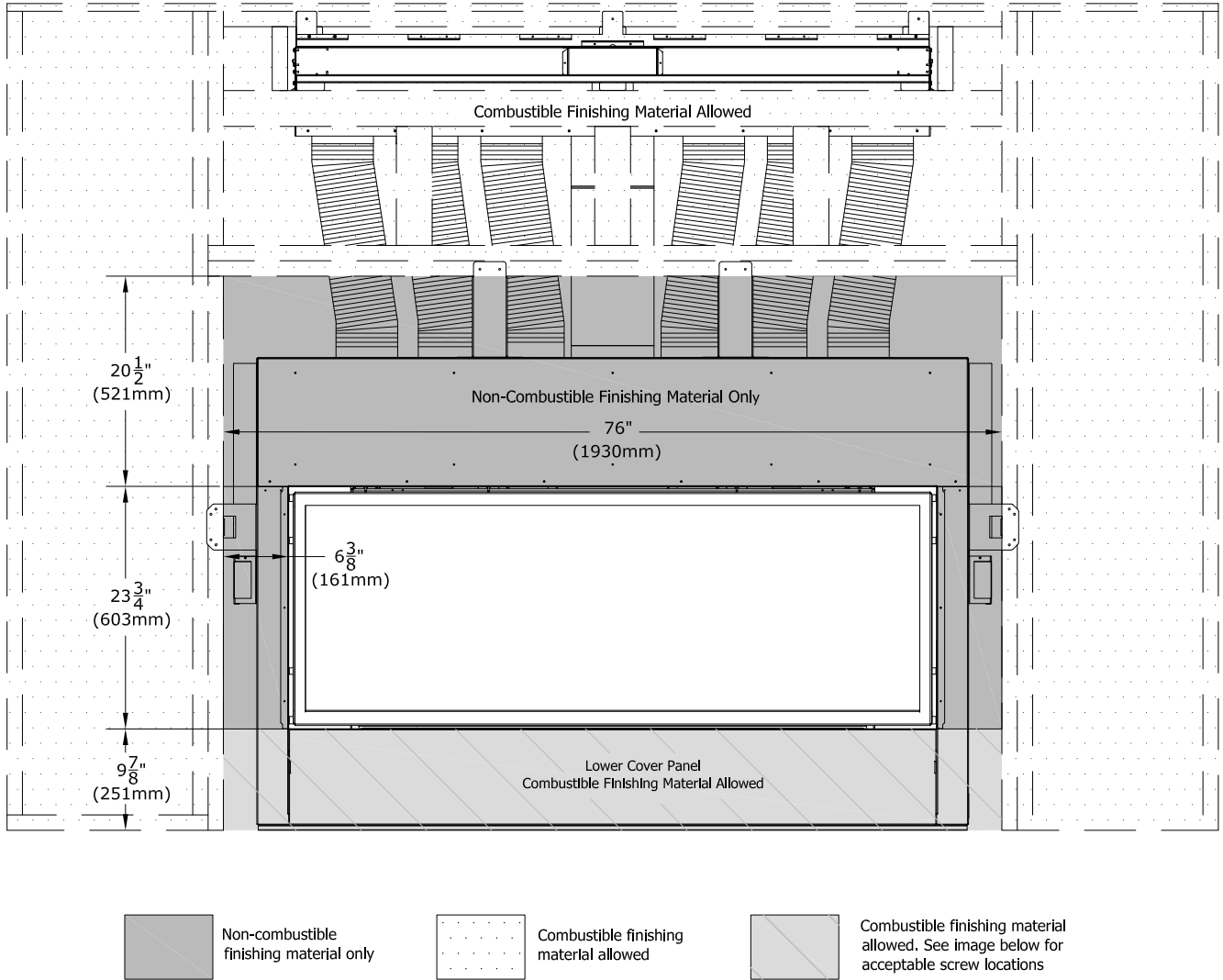


Figure 3.1 - Nordik 60TL Minimum Non-Combustible Finishing Dimensions

Figure 3.2 shows the location where no screws are allowed in the combustible or non-combustible finishing material.

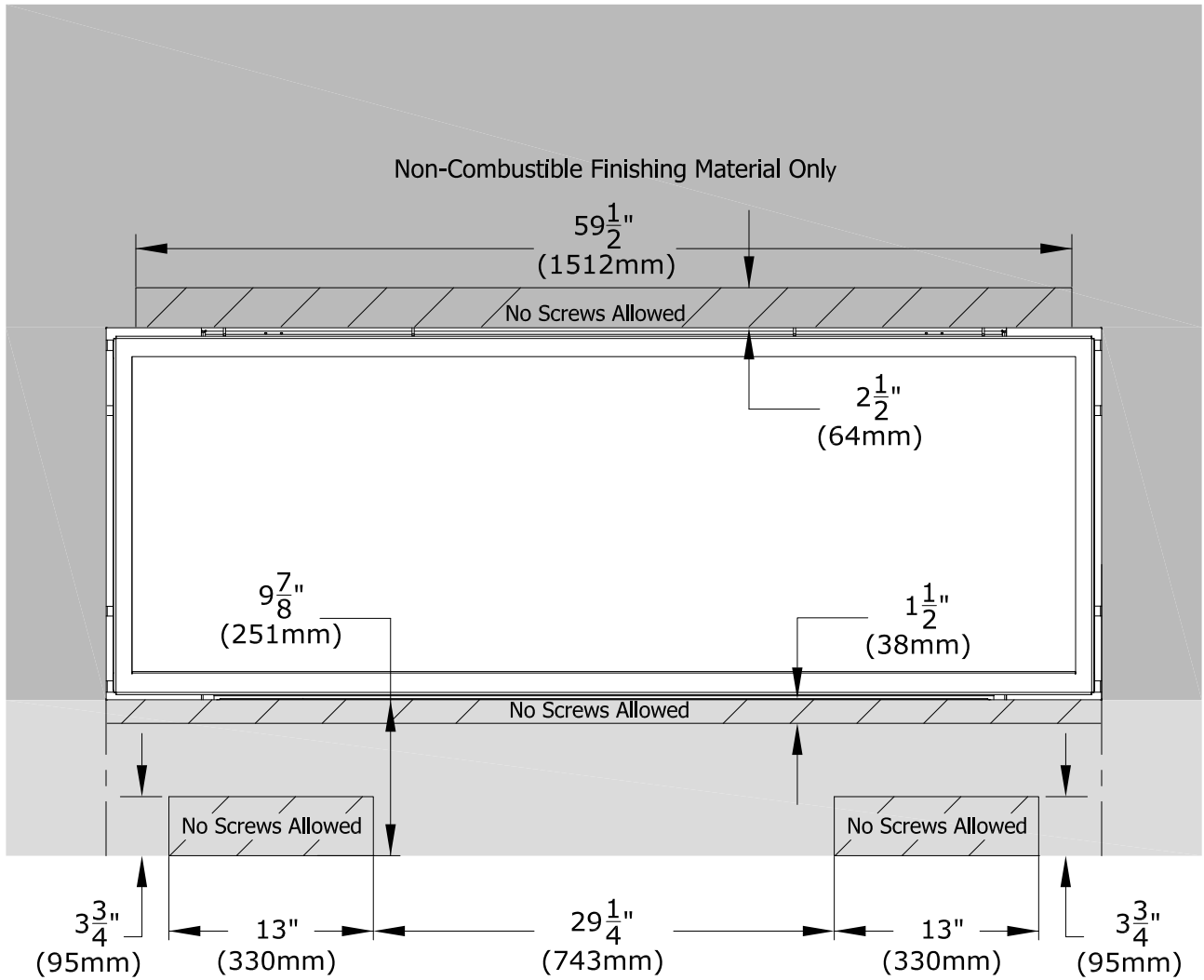


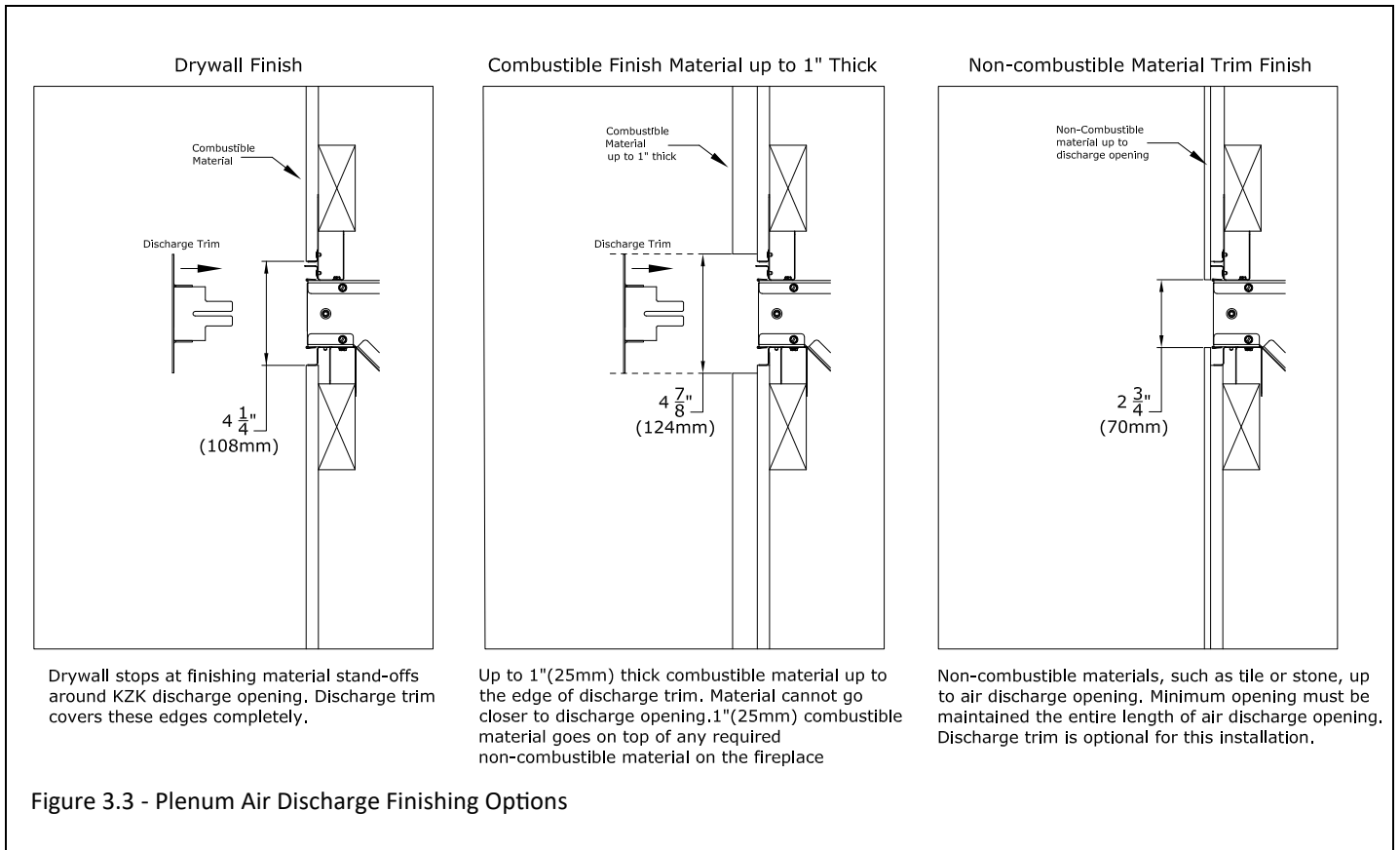
Figure 3.2 - Nordik 60TL - No Screw Location

3.2 Finishing Requirements

3.2.1 Finishing Options - Plenum Air Discharge

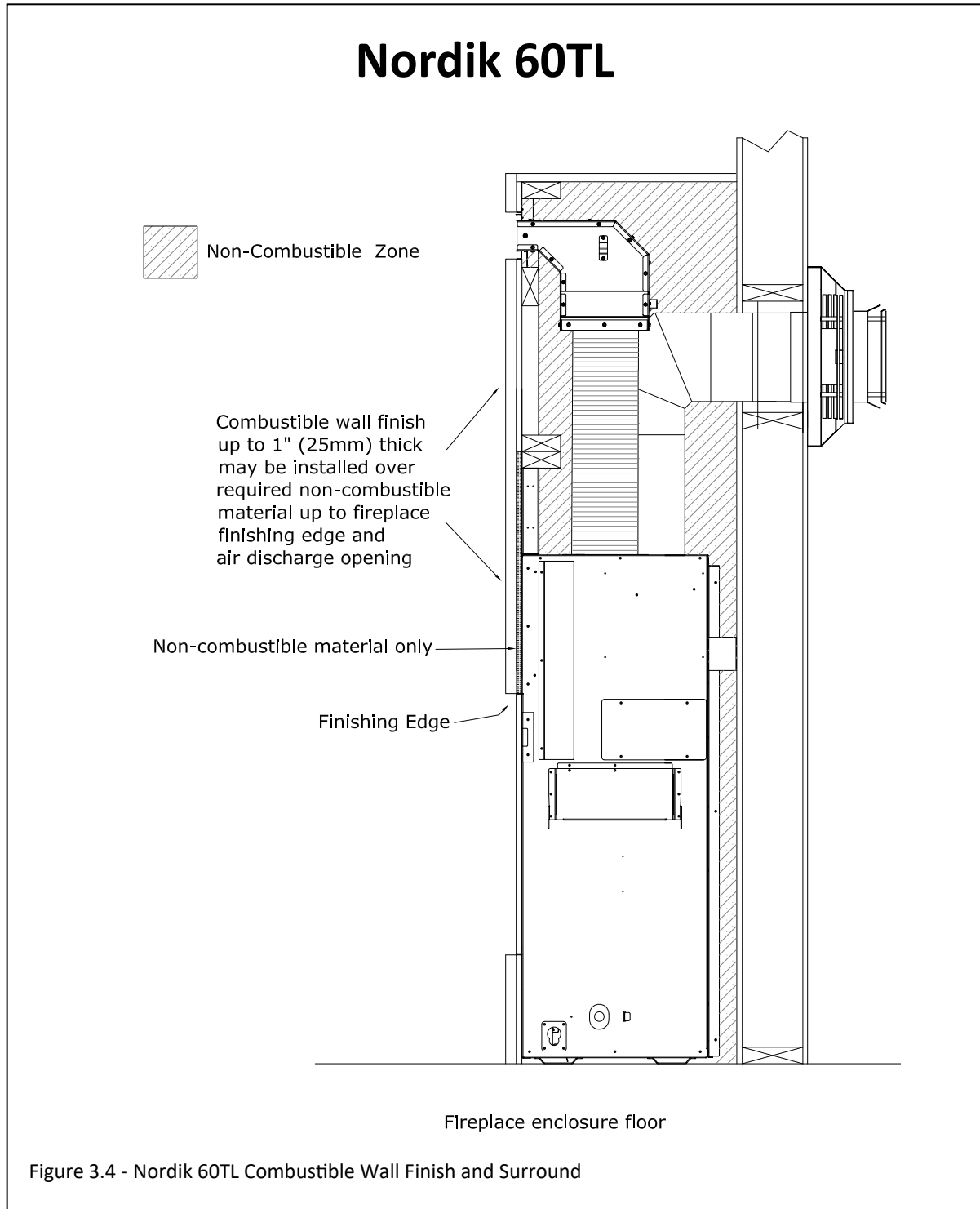
NOTE: It is not required to use the discharge trim (#KZK-062DT). You are allowed to run non-combustible finishing material up to the air discharge opening. See Figure 3.3 for finishing options. Finishing material must not block the opening and must be run evenly along the plenum opening.

WARNING! RISK OF OVERHEATING AND FIRE! Ensure the KZK duct system is installed in accordance to this manual



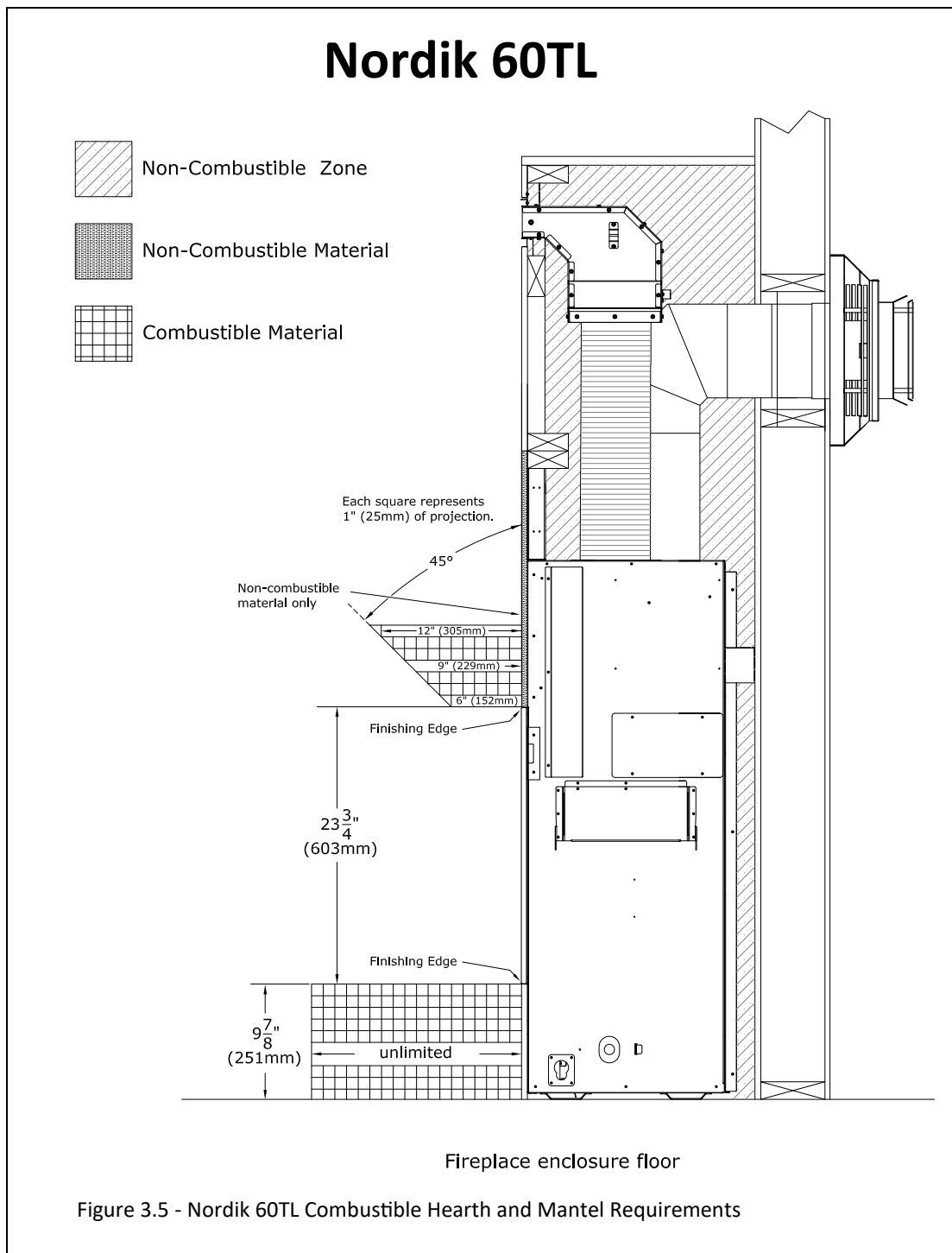
3.2.2 Combustible Wall Finish Requirements

- Figure 3.4 shows installation of combustible wall finish up to 1" thick for the Nordik 60TL. This combustible material goes on top of any required non-combustible materials as required in Figure 3.1.
- This 1" (25mm) combustible material is able to go down to the fireplace finishing edge.
- See Figure 3.3 on page 13 (center image) for up to 1" (25mm) thick combustible material installation around the KZK air discharge trim.



3.3 Hearth and Mantel Clearances

- Figure 3.5 shows the mantel and hearth projections for the Nordik 60TL allowed when using this KZK-062. The image below shows the mantel projection starting at the top fireplace finishing edge.
- Combustible flooring can run underneath this appliance which would then allow an unlimited combustibile hearth projection. The hearth projection can be elevated (vertically) up to the fireplace bottom finishing edge.
- Do not run any hearth or mantel projection past the fireplace finishing edge which would impede the airflow around the screen barrier.



4.0 Fireplace Preparation & Installation

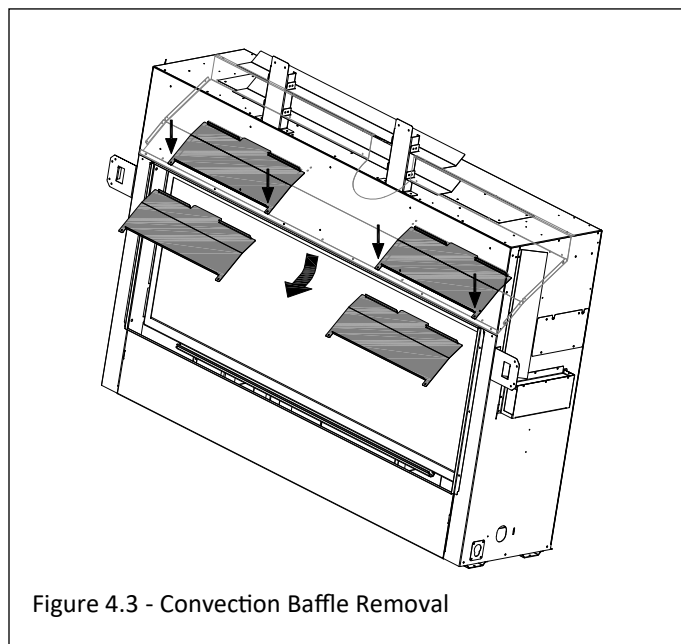
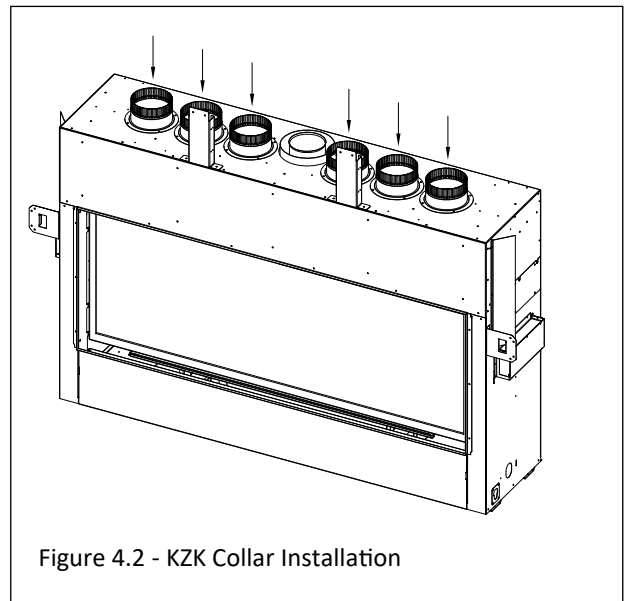
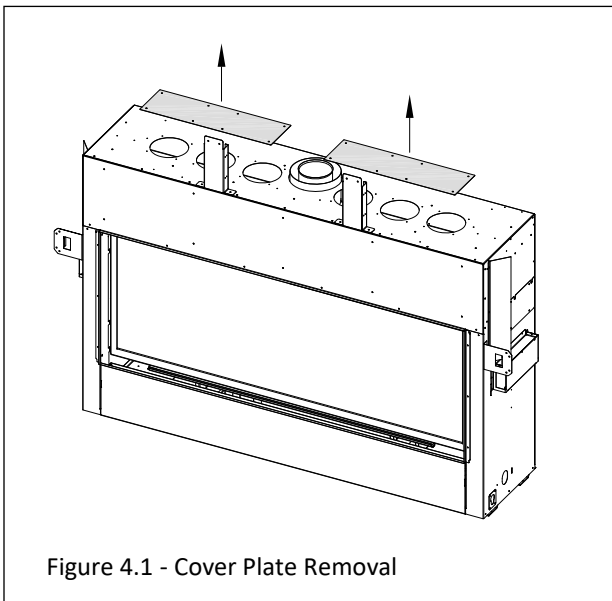
4.1 Nordik 60TL

All contents in this kit are required and must be installed.

The Kozy Zone Kit requires to remove the cover plates and convection baffles to allow the hot airflow to convection upwards into the air ducts installed on the fireplace.

See additional requirements and installation information in the appliance manual.

1. Remove the (16) sheet metal screws that secure the (2) cover plates at the top of the fireplace shown in Figure 4.1. Discard these two cover plates. Save the sheet metal screws for the next step.
2. Install the KZK collars that were provided with KZK-062 as shown in Figure 4.2. Reuse the sheet metal screws from the previous step.
3. Locate the (2) convection baffles as shown in Figure 4.3. There are (2) screws that secure each convection baffle. Remove the screws and convection baffles from the fireplace. Discard the screws and convection baffles.
4. Frame the rough opening of the fireplace and KZK plenum. Refer to all pages of this KZK-062 manual and the Nordik 60TL manual. See previous pages of this manual for allowable plenum positions and rough frame opening sizes.



7. Install top stand-off brackets. See Figure 4.4.
8. Discard the (2) top stand-off heat shields.
9. Install the plenum into the rough frame opening maintaining minimum clearances to combustibles as listed (see previous pages). Fix the plenum to the framing using nails or screw through the top mounting bracket.

NOTE: The supplied mounting brackets are recommended to support the plenum and pipes. Ensure the plenum is level and its outlet is not distorted. Additional metal strapping maybe needed to support the weight and tubes depending on the height of the installation.

10. Attach the piping from all (6) plenum vent collars to all (6) fireplace vent collars. If you are mounting the plenum 10' or less above the fireplace, use (1) #KZK-610 kit or UL-181 Class 0 approved air duct. If you are mounting the plenum between 10' to 20' above the fireplace then you will need (2) #KZK-610 kits and #KZK-CPL6 or UL-181 Class 0 approved air duct.
11. An upward slope must be maintained in horizontal sections of pipes for proper convection. Support horizontal sections every 24 inches.
12. Install the plenum discharge trim provided with the kit using (2) screws.

If desired, the air grille may be painted. Use high temperature paint (250°F).

Continue with fireplace installation.

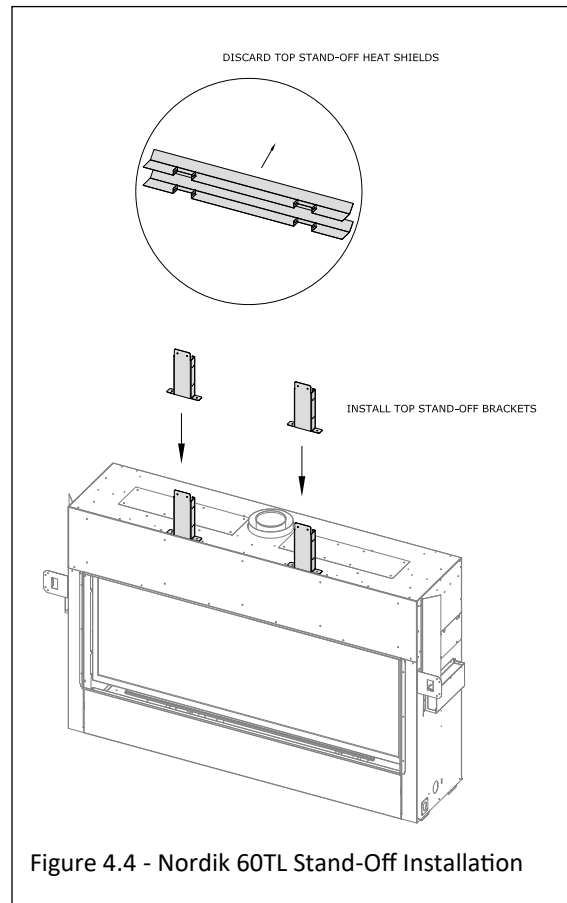


Figure 4.4 - Nordik 60TL Stand-Off Installation

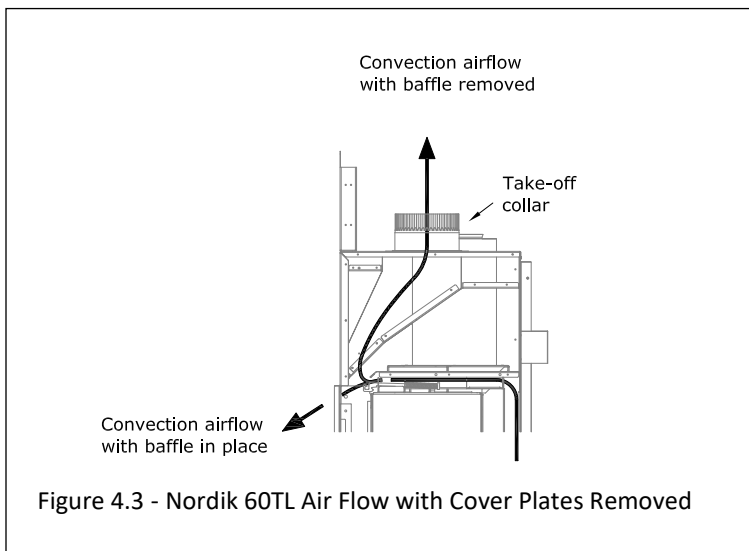


Figure 4.3 - Nordik 60TL Air Flow with Cover Plates Removed

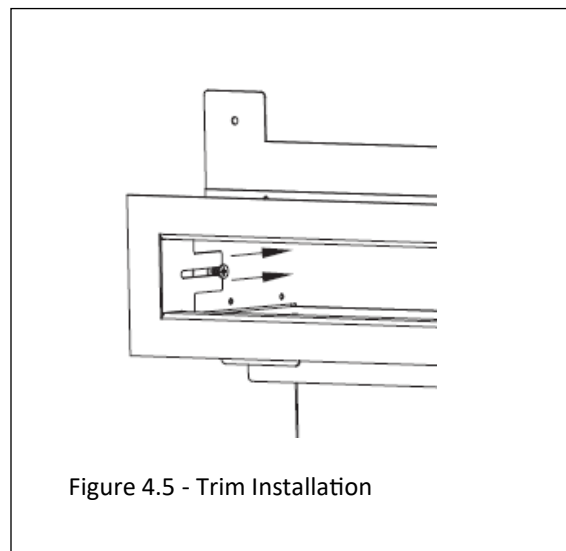


Figure 4.5 - Trim Installation