

The Soapstone Family

# Heritage

Wood Stove Model 8024

Our cleanest burning stove, EPA certified at only 0.54 g/hr.



**Efficiency**

77%

HHV



**HeatLife™**

25

Hours



**EPA Certified**

0.54

g/hr



## Features

### TruHybrid™ Clean

At only 0.54 g/hr of particulate emissions, the Heritage is our cleanest burning stove thanks to the TruHybrid system.

### Convenient Features

Load your fireplace through the side door and use the optional ash pan to help keep your hearth clean and tidy.

### Soapstone + Cast Iron

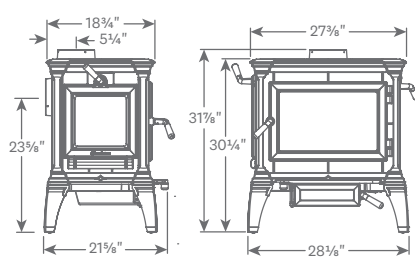
Full cast iron construction with 1¼” soapstone lining offers comfortable, long-lasting heat and a lifetime of trouble free service.

# Soapstone Wood Stove

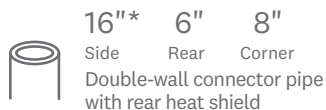
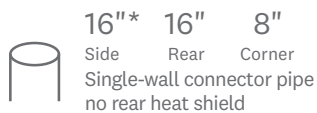
Heritage 8024



## Dimensions



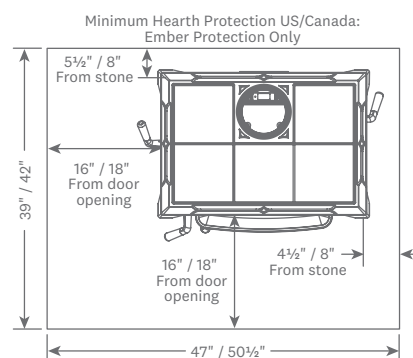
## Clearances



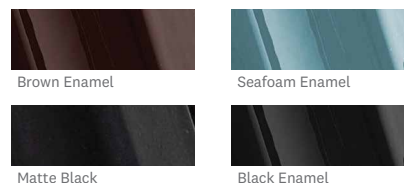
\*Side without side door.

Note: All information is for reference only. Refer to the owner's manual for full specification and installation details.

## Hearth Protection



## Finish Options



## Specifications

HHV Efficiency .....	77%
HeatLife™* .....	25 hours
EPA Certified .....	0.54 g/hr
Heats up to.....	2,000 sq ft
Firebox Capacity.....	2.2 cu ft
BTU.....	Up to 60,000
Maximum Log Length .....	21"
Flue Exit & Diameter.....	Top or Rear* - 6"
Side Load Door.....	Left or Right
Ash Pan .....	Optional
Weight .....	535 lbs

## Accessories

Ash Pan .....	90-54240
Rear Heat Shield .....	90-68210
Convection Blower .....	90-57210
Outside Air Adapter .....	90-53220
Side Door Lock Kit .....	90-70210

\* Refer to the owner's manual for rear exit requirements.  
\* Under the right conditions, you will be able to start a new fire with kindling up to the end of the product's HeatLife™.