


The Green Mountain Family

Green Mountain 40 Wood Stove Model 8640

Warm your living area with a clean, efficient, long lasting fire.


Efficiency
79%
HHV


HeatLife™
16
Hours


EPA Certified
1.07
g/hr



Features

Clean Traditional Style

Our GM40 wood stove is styled with clean lines and offered in traditional black cast iron. Built for the wood stove purist.

TruHybrid™ Reliability

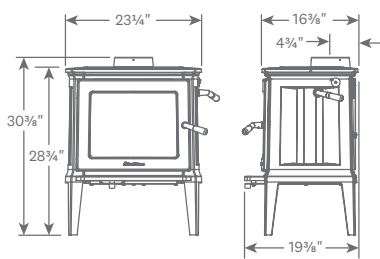
Our Green Mountain stoves exceed EPA clean burning standards. You can be sure they will burn clean today and for many years to come.

Soapstone Firebox Lining

The GM40 is lined with soapstone blocks. Soapstone absorbs the heat of the fire to give you long-lasting comfortable heat.



Dimensions



Clearances

Side: 14" Rear: 16" Corner: 14"



Single-wall connector pipe
no rear heat shield

Side: 14" Rear: 13 3/4" Corner: 7"

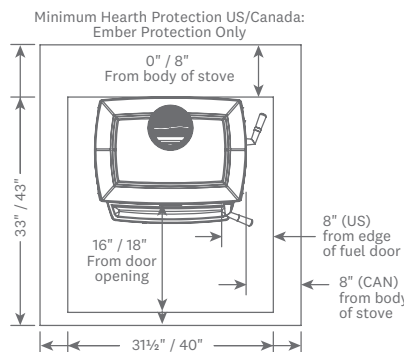
Single-wall connector pipe
with included rear heat shield



Side: 14" Rear: 9 3/4" Corner: 7"

Double-wall connector pipe
with blower kit heat shield

Hearth Protection



Finish Options



Matte Black

Specifications

HHV Efficiency	79%
HeatLife™*	16 hours
EPA Certified.....	1.07 g/hr
Heats up to.....	1,400 sq ft
Firebox Capacity.....	1.32 cu ft
BTU.....	Up to 40,000
Maximum Log Length	16"
Flue Diameter	Top - 6"
Weight	350 lbs

Accessories

Blower w/ Rear Heat Shield	96-57400
Outside Air Adapter	96-53400

Note: All information is for reference only. Refer to the owner's manual for full specification and installation details.

* Under the right conditions, you will be able to start a new fire with kindling up to the end of the product's HeatLife™.