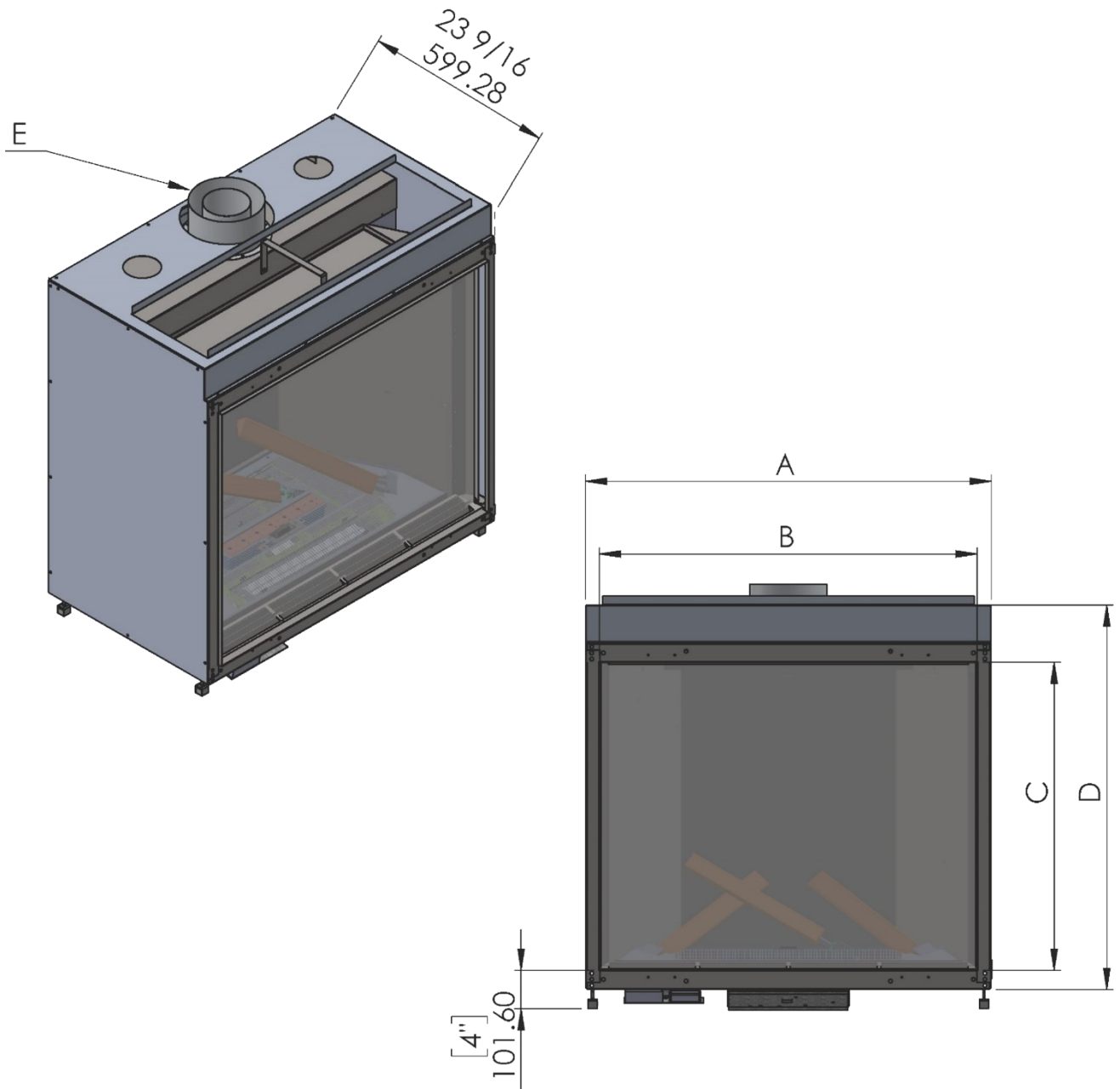
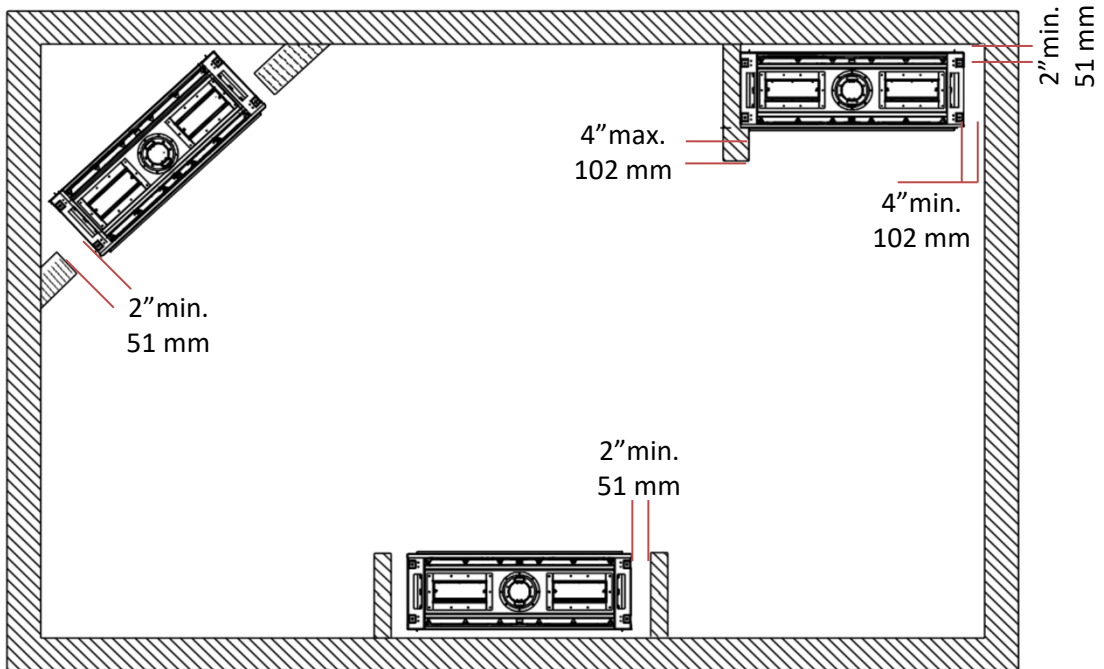


### Fireplace Dimensions



Model		A	B	C	D	E
TR-42	IN	42 1/4	38 11/16	32	40 1/16	5x8
	MM	1073	982	812	1017	127x203
TR-46	IN	46	42 7/16	36	44	5x8
	MM	1168	1078	914	1117	127x203

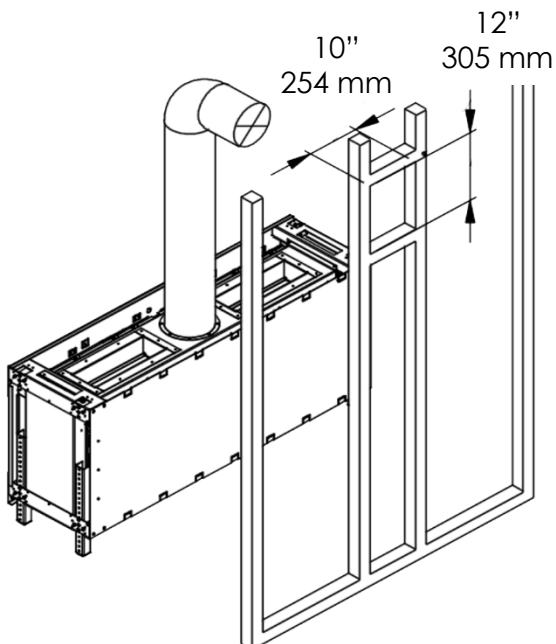
Clearances below are to non-combustible materials.



## Chimney Installation

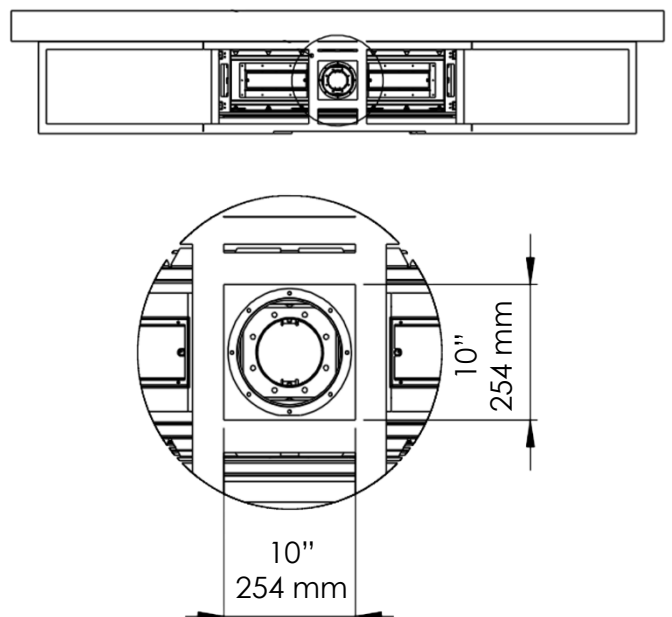
### Horizontal Termination

For 5x8 vent pipe termination create a 10"x12" opening

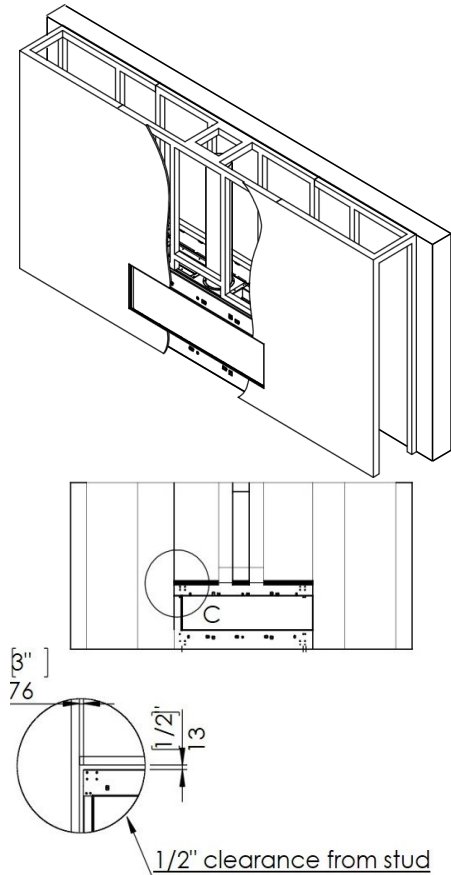


### Vertical Termination

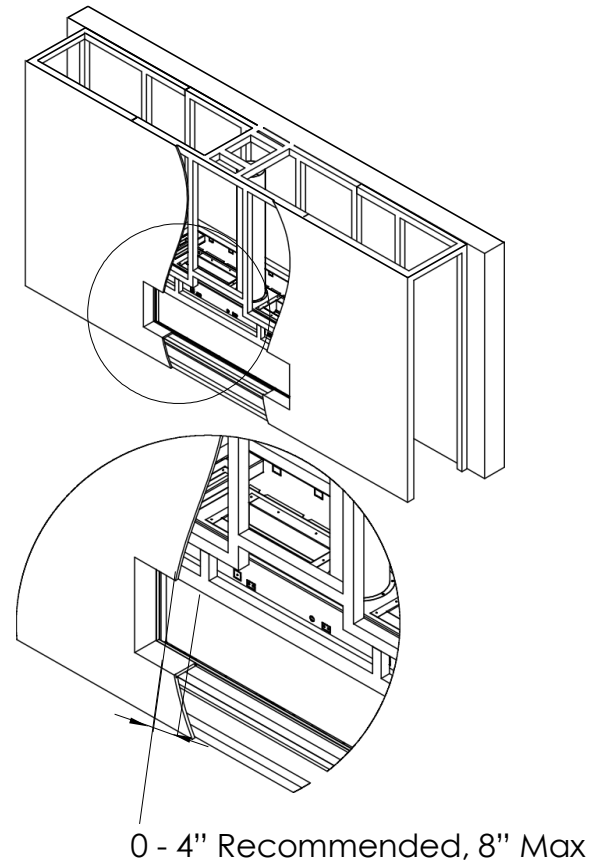
For 5x8 vent pipe termination create a 10"x10" opening



Flat Installation



Recessed Installation



## Heat Release and Air Intake

### Required Heat Release Open Air-Flow Minimum

42" and 46" Traditional Fireplace - 140 square inches minimum.

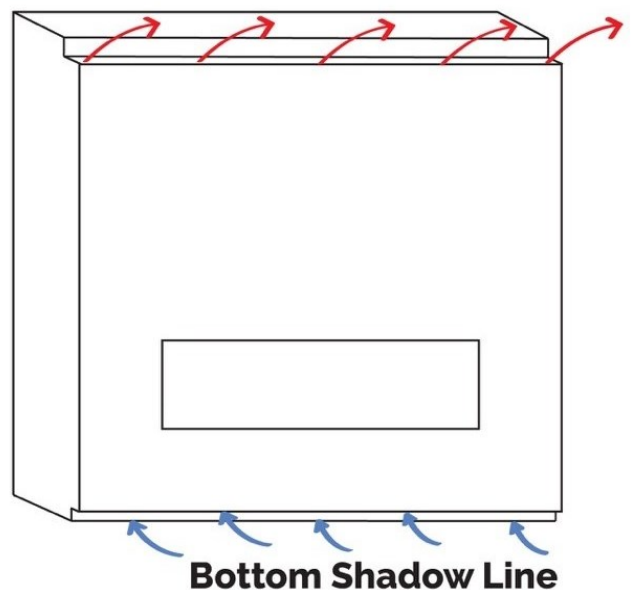
### Required Air Intake Open Air-Flow Minimum

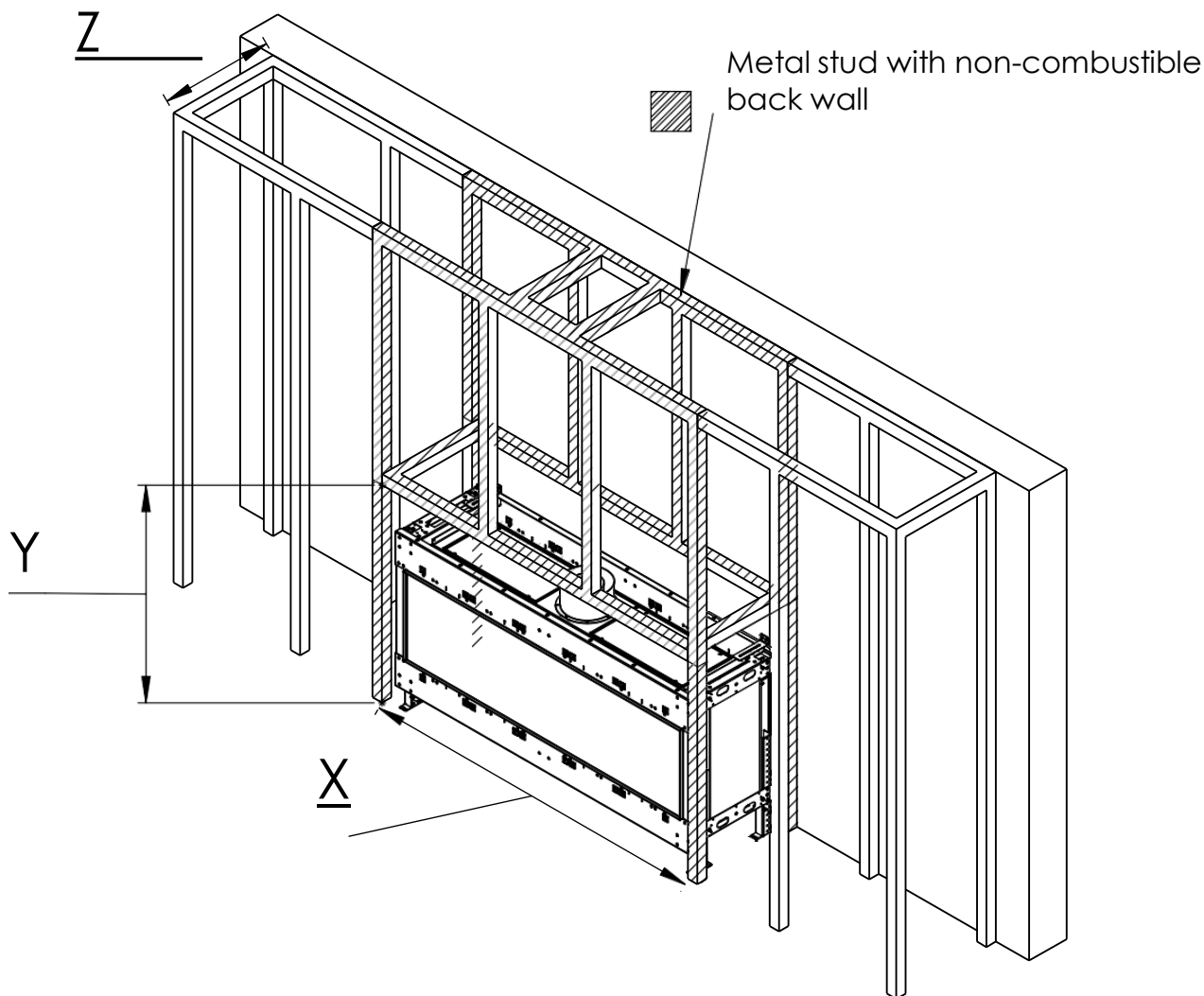
42" and 46" Traditional Fireplace - 70 square inches minimum.

*(\*Air Intake required with Triple Glass)*

*(\*\*Openings are measured for open air-flow)*

### Top Shadow Line

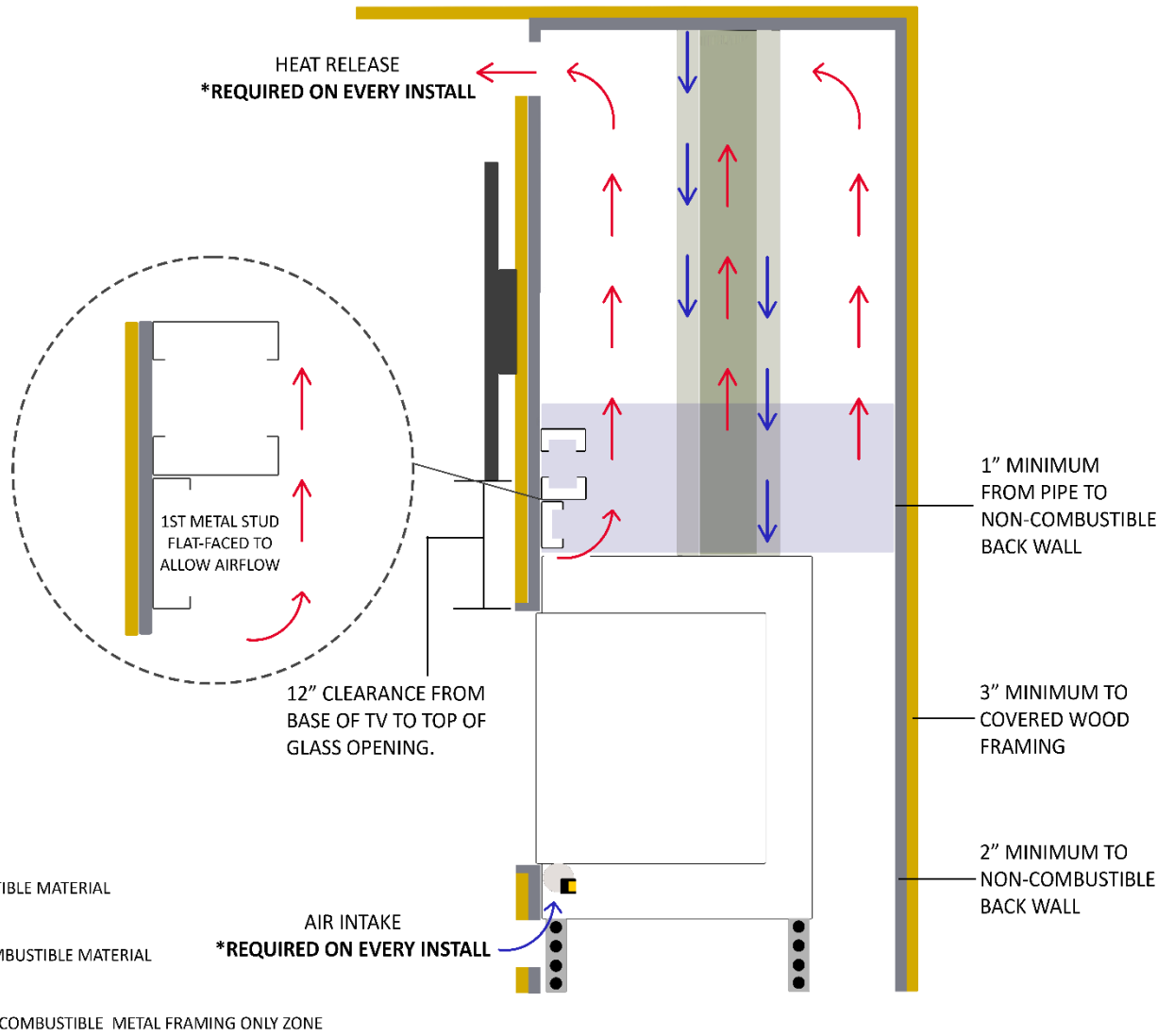




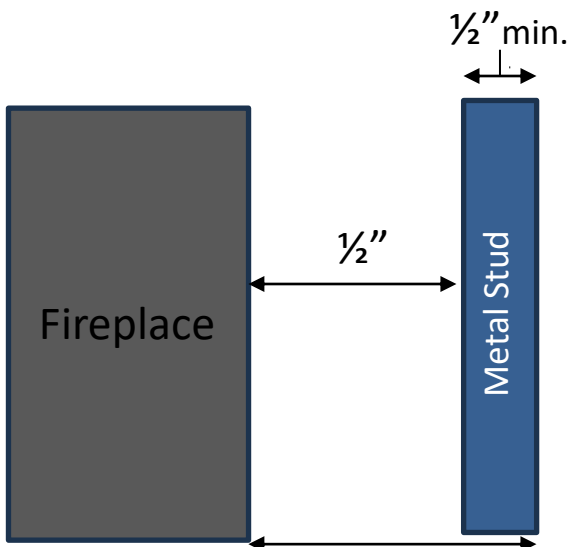
**NOTE:** Dimension “Y” assumes the fireplace legs are set to the default height of 2”, placing the glass opening at 4” above the floor. This “Y” dimension can change based on where your client wants their viewing window.

\*All framing and finishing must be secured to your projects back wall, ceiling or floor and must never bear weight on the fireplace in any circumstance. For more information reference the [Installation Manual](#).

Model		X	Y	Z	
				FLAT	4" RECESS
TR-42	IN	43 1/4	42 9/16	25 9/16	29 9/16
	MM	1098	1081	649	750
TR-46	IN	47	46 1/2	25 9/16	29 9/16
	MM	1193	1181	649	750



### Metal Framing Clearances and Materials Example



\*Any combustible material found within the fireplace cavity must be covered with a minimum  $\frac{1}{2}$ " thick non-combustible board and maintain a 3" clearance to the sides and back of the fireplace.