

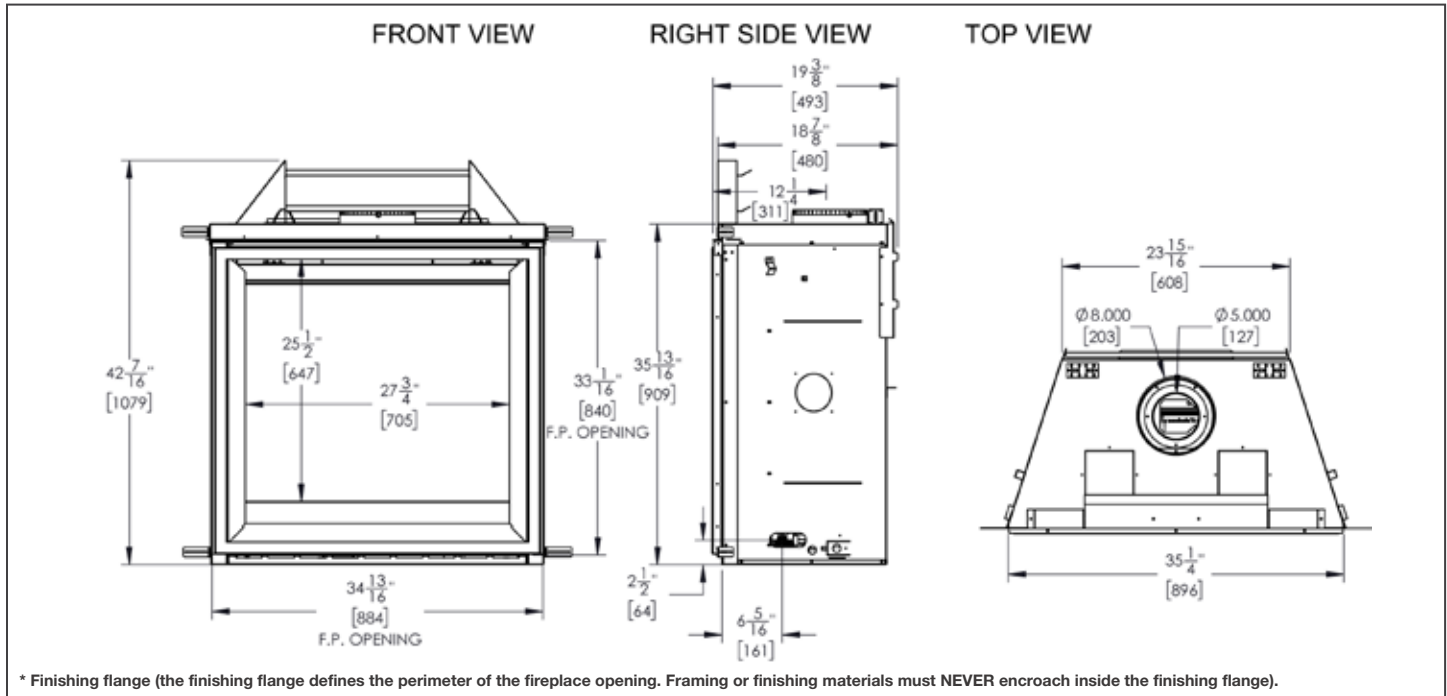
ALTITUDE™ 36 DIRECT VENT GAS FIREPLACE



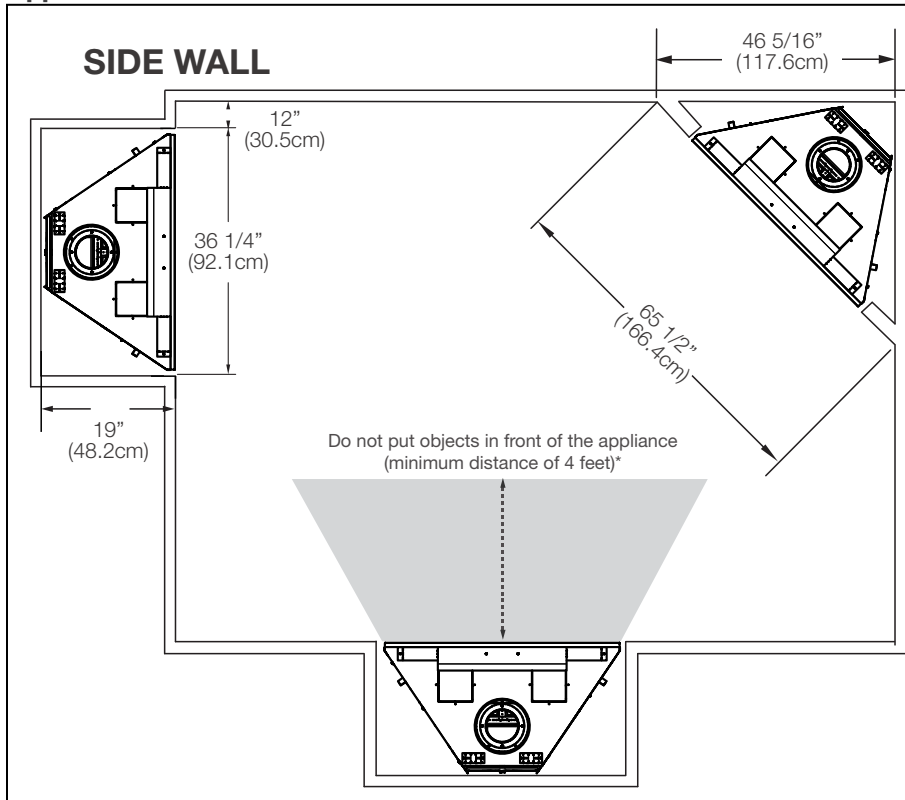
Specifications

Model	BTU	Width		Height		Depth		Glass Size
		Actual	Framing	Actual	Framing	Actual	Framing	
A36NTE	27,500	34 13/16	36 1/4	42 7/16	44 5/8	18 7/8	19	25 1/2 x 27 3/4
A36PTE	26,500			25 1/2	42 7/16	18 7/8	18 7/8	

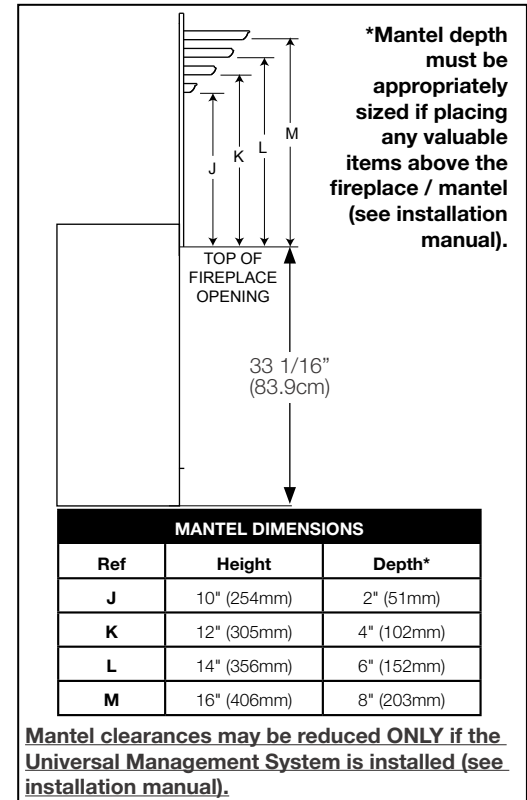
Dimensions



Appliance Location



Combustible Mantel Clearances



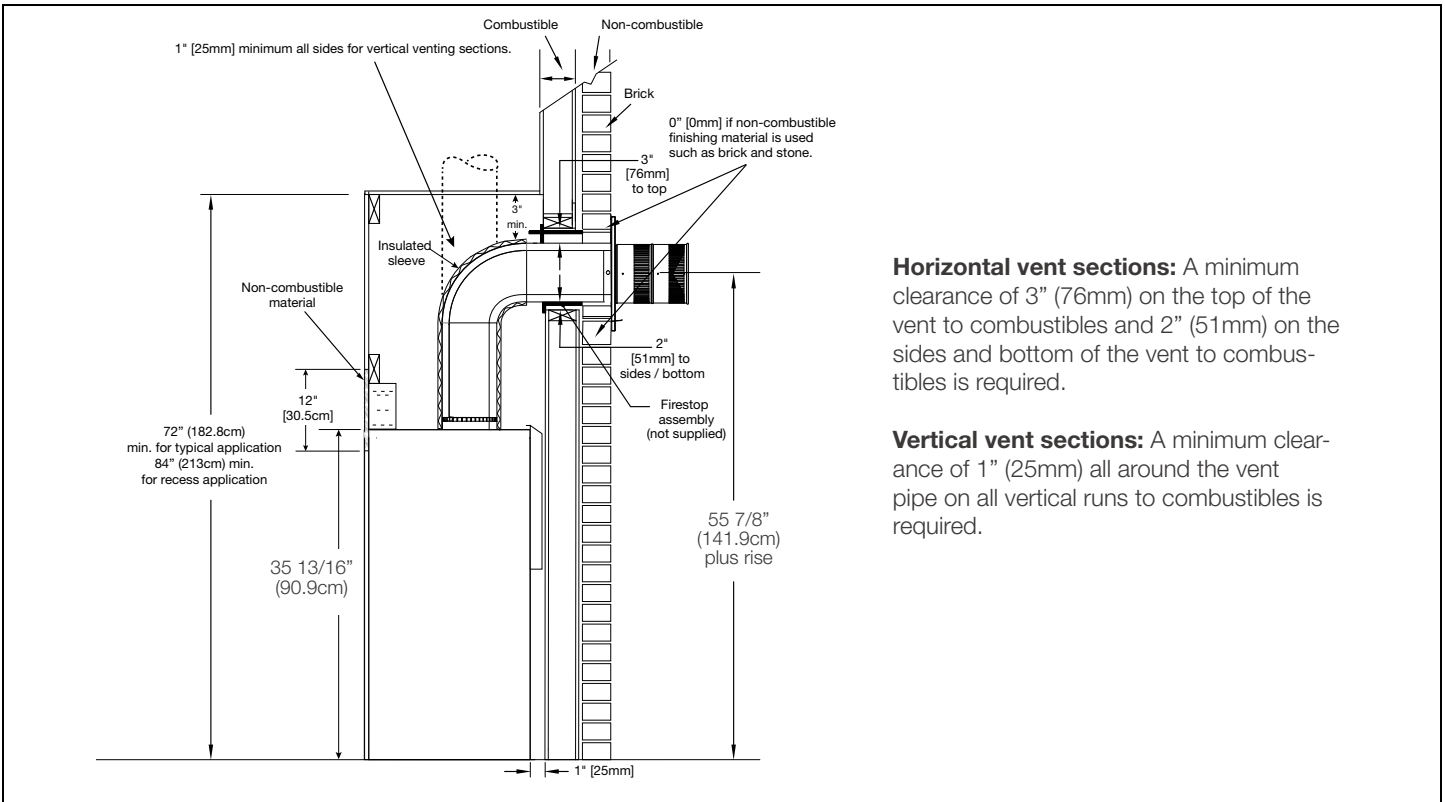
W415-4133 / 01.13.23

ALTITUDE™ 36 DIRECT VENT GAS FIREPLACE



Product information provided is not complete and is subject to change without notice. Please consult the installation manual for the most up to date installation information.

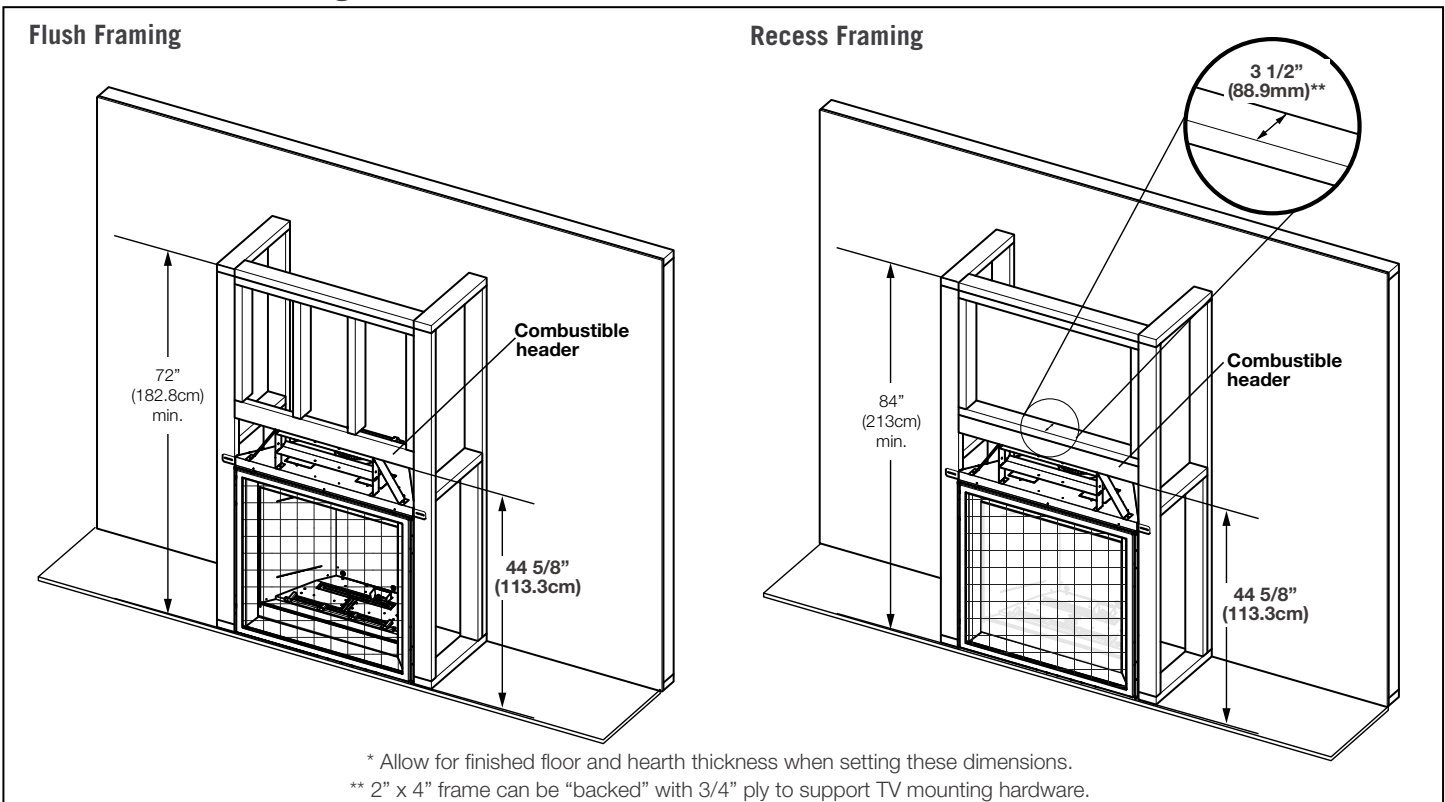
Wall Penetration



Horizontal vent sections: A minimum clearance of 3" (76mm) on the top of the vent to combustibles and 2" (51mm) on the sides and bottom of the vent to combustibles is required.

Vertical vent sections: A minimum clearance of 1" (25mm) all around the vent pipe on all vertical runs to combustibles is required.

Flush & Recessed Framing



* Allow for finished floor and hearth thickness when setting these dimensions.

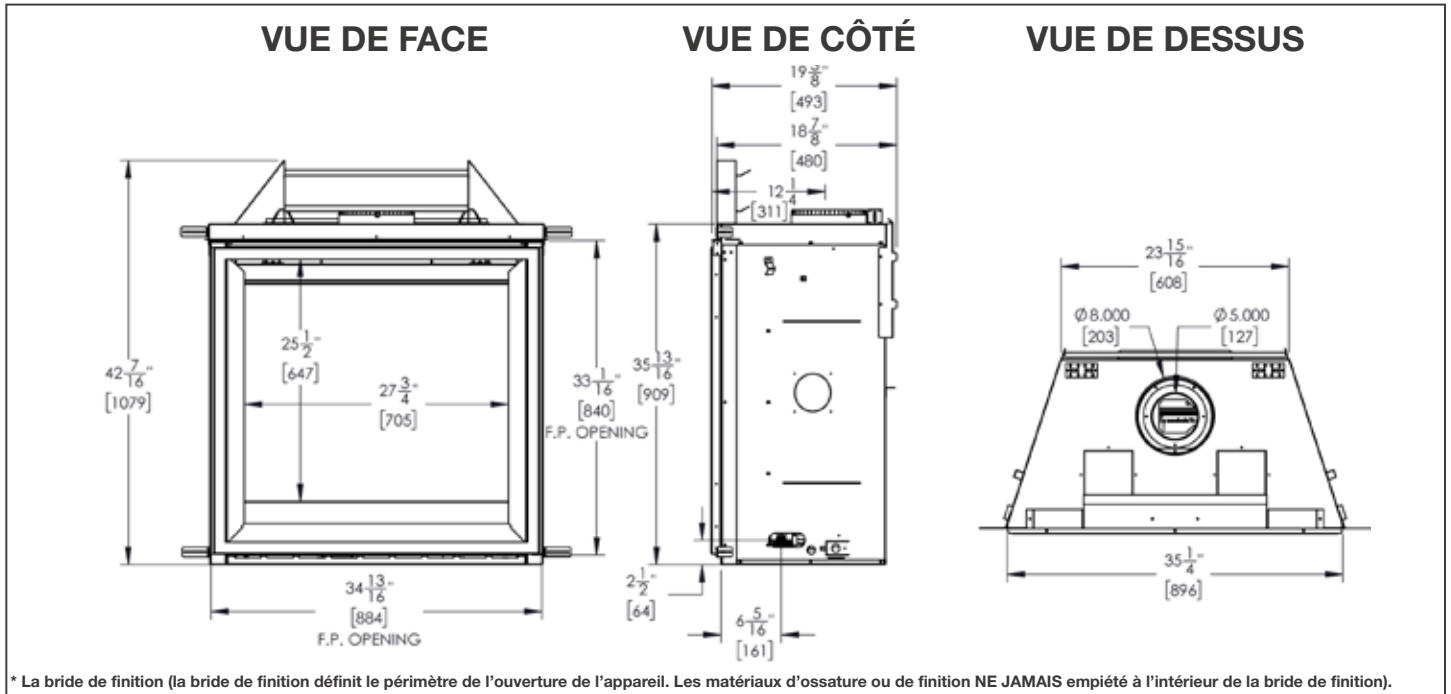
** 2" x 4" frame can be "backed" with 3/4" ply to support TV mounting hardware.

W415-4133 / 01.13.23

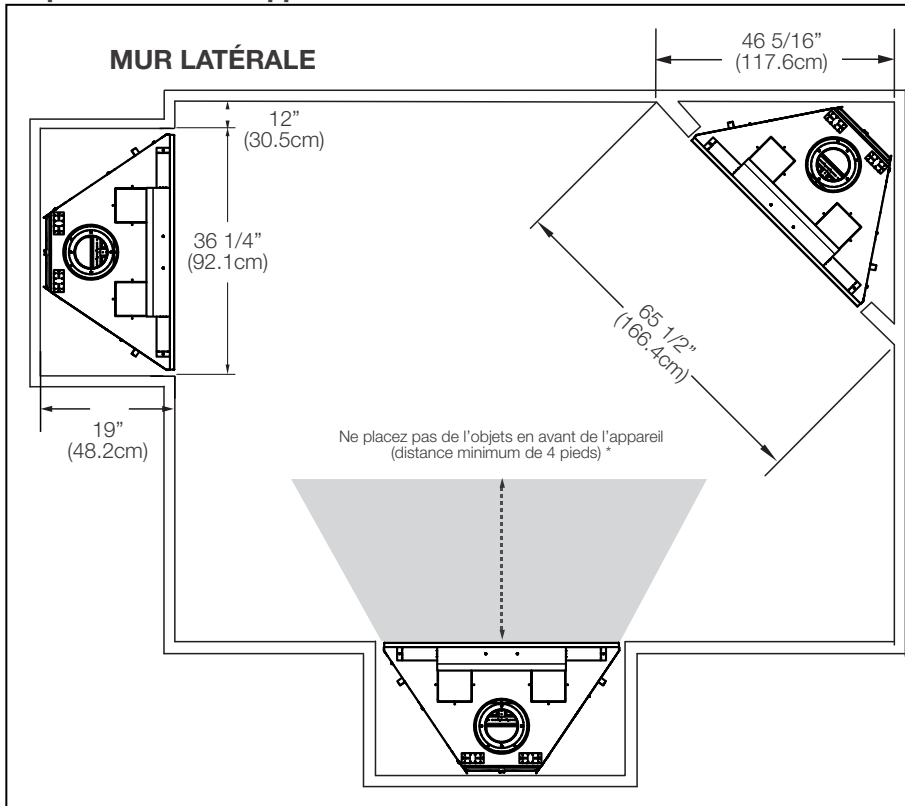
Spécifications

Modèle	BTU	Largeur		Hauteur		Profondeur		Dimensions de Vision
		Actual	Framing	Actual	Framing	Actual	Framing	
A36NTE	27 500	34 13/16	36 1/4	42 7/16	44 5/8	18 7/8	19	25 1/2 x 27 3/4
A36PTE	26 500							

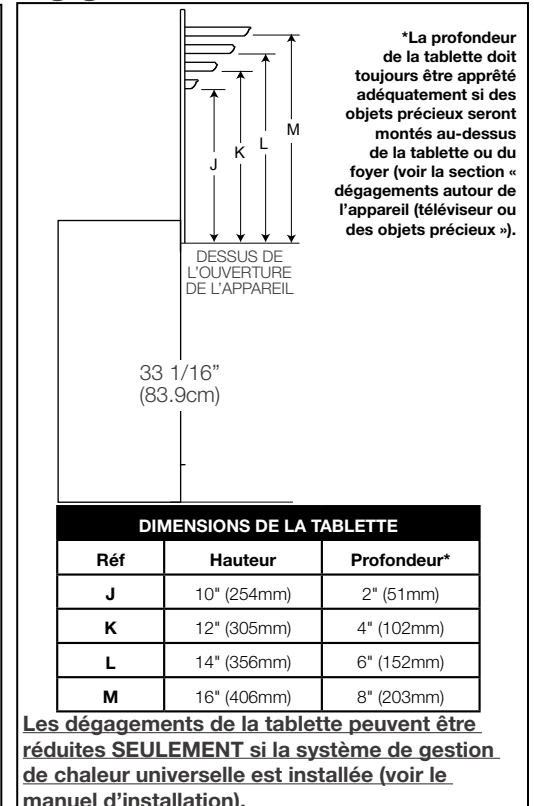
Dimensions



Emplacement de l'Appareil

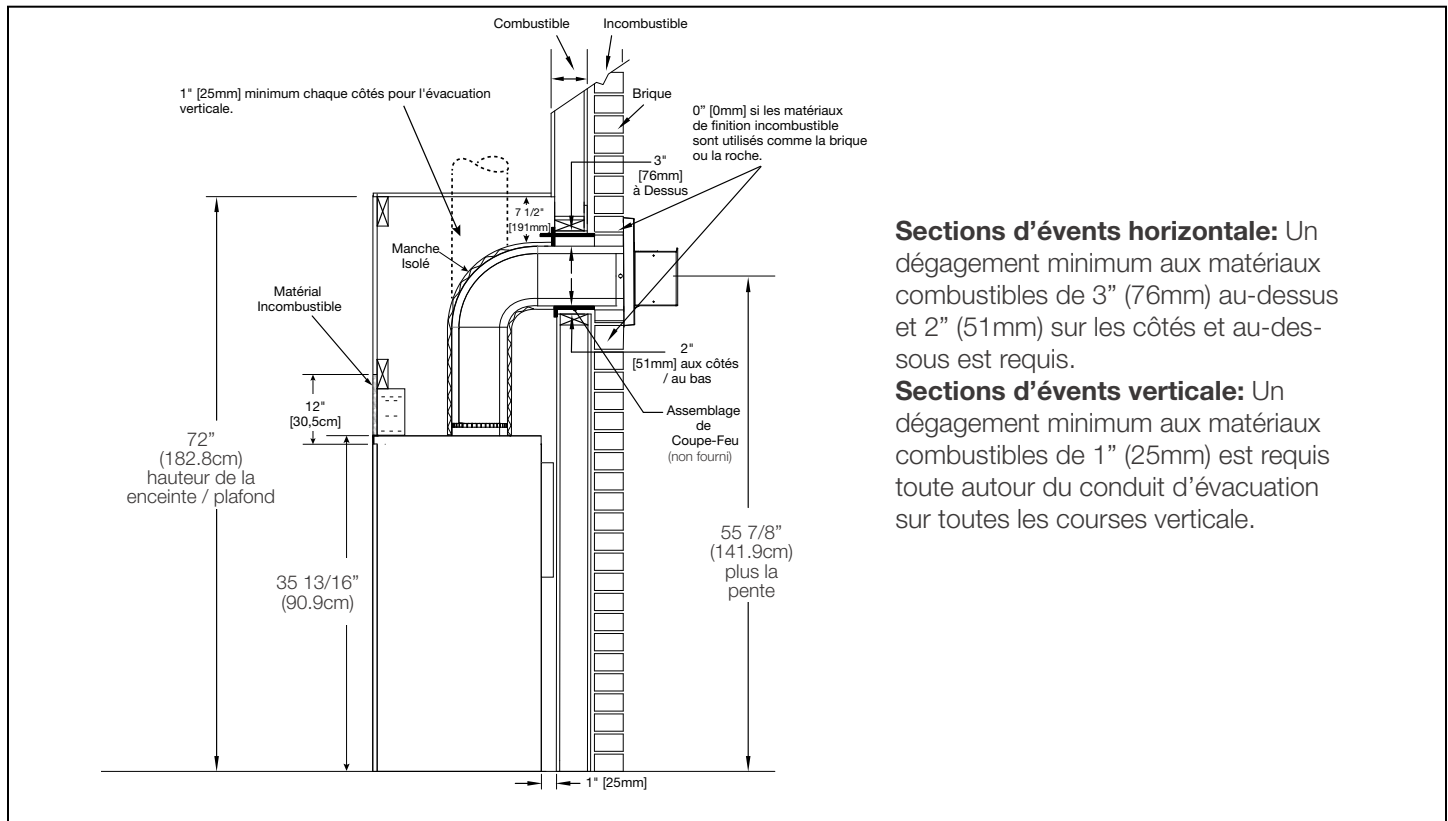


Dégagements Combustible de la Tablette



L'information du produit fourni n'est pas complet et est sujet de changer sans préavis. Consultez le manuel d'installation pour information d'installation actuel.

Pénétration du Mur



Encadrement Affleuré et Encastré

