

NAPOLEON

GAS BURNING INSERTS & VENTED LOG SETS



GAS BURNING INSERTS & VENTED LOG SETS
napoleon.com



Find your happy (fire)place.

Throughout the ages, people have gathered around fires to share in life's greatest joys. There's just something about the glow of flickering flames that makes special moments feel even warmer.

A Napoleon fireplace is uniquely designed to brighten the vibe of any room in your house. Napoleon has an incredible range of designer options to fit any vision.

A fire not only raises the warmth and ambiance of a room, it can raise the value of your home. A fireplace offers some of the highest returns of any remodeling project. And that should make you feel good all over.

And so you can keep enjoying that positive glow for years and years to come, every Napoleon fireplace is backed by the President's Limited Lifetime Warranty.

- Oakville™ 3 - GD13 4 - 5
- Oakville™ 3 Glass - GDIG3 6 - 7
- Oakville™ X3 - GDIX3 8 - 9
- Oakville™ X4 - GDIX4 10 - 11
- Inspiration™ ZC - GDIZC (USA only) 12 - 13
- Fiberglow™ Log Series - GL18/24/30 14 - 15
- Napoleon's Outstanding Features 16 - 17
- Detailed Specifications & Line Drawings 18 - 19

See your dream fireplace come to life in front of your eyes! Scan here to visit Napoleon's Fireplace Design Studio and build your custom fireplace with available design options.



Cover Photo - Oakville™ X4 shown with Large 4-Sided Gunmetal Faceplate and 4-Sided Backerplate



Napoleon's Hot Spots Research Study delivers insights on key areas of the home. In particular, how to help you add relaxation, social interaction and functionality to rooms to enhance your memorable moments.

Throughout this brochure we will share some of our insights with you.



Oakville™ X3 shown with Small Arched 4-Sided Black Faceplate and Large 3-Sided Backerplate

Oakville™ 3

Style, Comfort and Efficiency

The Napoleon Oakville™ 3 Gas Fireplace Insert offers many standard features including a premium SPLIT OAK log set and "H" style burner that produces a full firebox of flames! The clean face design, flush finish accessories and endless design opportunities makes this perfect for smaller living spaces. The Oakville™ 3 is great for home owners who want the cost saving benefits of Zone Heating (heating the room you use the most) plus the benefit of replacing an old drafty masonry fireplace with an efficient heating source.

Features & Options



Premium Split Oak Log Set (included)



Small 3-Sided Faceplates
Available in 4 finishes*
For use with the 3-sided backerplates



Small 4-Sided Faceplates
Available in 4 finishes*
For use with the 3 or 4-sided backerplates



Large 3-Sided Faceplates
Available in 4 finishes*
For use with the 3-sided backerplates



Large 4-Sided Faceplates
Available in 4 finishes*
For use with the 4-sided backerplate



Small Arched 4-Sided Faceplates
Available in 4 finishes*
For use with the 3-sided backerplates



Cast Iron Surround



3-Sided Backerplates
Available in black
Available in Small, Medium & Large



4-Sided Backerplate
Available in Large



*Four Finish Options
Charcoal, Copper, Gun Metal and Black





GDI3-1
Up to 24,500 BTU's
Viewing Area: 22 11/16" W x 15" H
For more detailed specifications
on this unit, see page 18

Oakville™ 3 shown with Large 4-Sided Black Faceplate, Large 3-Sided Backerplate and Westminister™ Brick Panels.



MIRRO-FLAME™ Porcelain Reflective Radiant Panels (optional)



Old Town Red™ Brick Panels (optional)

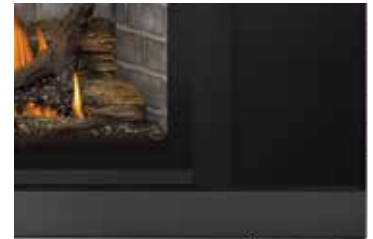


Westminster™ Brick Panels (optional)



Newport™ Standard Brick Panels (optional)

Choice of one panel to complete the unit is mandatory.



Riser Box (optional)



Blower Kit (optional)



Remote Controls (optional)

Oakville™ 3 Glass

Economical Modern Elegance

With all the features of the Oakville™ 3 plus Napoleon's exclusive NIGHT LIGHT™ and MIRRO-FLAME™ Porcelain Reflective Radiant Panels, the Oakville™ 3 Glass is the perfect solution for an economical heating source complemented with the modern elegance of a sparkling Topaz CRYSTALINE™ ember bed. A multitude of decorative designer accessories are also available to match any room in your home. Heating smarter and saving energy doesn't have to mean compromising great design.

Features & Options



Topaz CRYSTALINE™ Ember Bed (included)
Glass Embers also available in: Amber, Black, Blue, Clear and Red



Clear Glass Beads (optional)
Glass Beads also available in: Amber, Black, Blue and Clear



Small 3-Sided Faceplates
Available in 4 finishes*
For use with the 3-sided backerplates



Small 4-Sided Faceplates
Available in 4 finishes*
For use with the 3 or 4-sided backerplates



Large 3-Sided Faceplates
Available in 4 finishes*
For use with the 3-sided backerplates



Large 4-Sided Faceplates
Available in 4 finishes*
For use with the 4-sided backerplate



Small Arched 4-Sided Faceplates
Available in 4 finishes*
For use with the 3-sided backerplates



Cast Iron Surround



3-Sided Backerplates
Available in black
Available in Small, Medium & Large



4-Sided Backerplate
Available in Large



*Four Finish Options
Charcoal, Copper, Gun Metal and Black





GDIG3-1

Up to 24,000 BTU's
Viewing Area: 22 11/16" W x 15" H
For more detailed specifications
on this unit, see page 18

Oakville 3 Glass shown with Small 3-Sided Black Faceplate, Large 3-Sided Backerplate and MIRRO-FLAME™ Porcelain Reflective Radiant Panels.



MIRRO-FLAME™ Porcelain Reflective Radiant Panels (included)



Riser Box (optional)



Blower Kit (included)



eFIRE Enabled With App (included)



Remote Control (included)

Oakville™ X3

Radiant Warm Glow

The Oakville™ X3 is a deluxe Gas Fireplace Insert which offers the same features as the Oakville™ 3, as well as a thermostatic remote, an exclusive NIGHT LIGHT™ that radiates a warm glow throughout the room, even when the fireplace is off, and additional BTU's for added heat. Directional baffles increase air flow to help drive the heat into your home for maximum efficiency. The perfect solution for replacing and updating an inefficient old masonry setting. PLUS this insert comes equipped with eFIRE Bluetooth technology for your added convenience.

Features & Options



Premium Split Oak Log Set
(included)



Small 3-Sided Faceplates
Available in 4 finishes*
For use with the 3-sided backerplates



Small 4-Sided Faceplates
Available in 4 finishes*
For use with the 3 or 4-sided backerplates



Large 3-Sided Faceplates
Available in 4 finishes*
For use with the 3-sided backerplates



Large 4-Sided Faceplates
Available in 4 finishes*
For use with the 4-sided backerplate



Small Arched 4-Sided Faceplates
Available in 4 finishes*
For use with the 3-sided backerplates



Cast Iron Surround



3-Sided Backerplates
Available in black
Available in Small, Medium & Large



4-Sided Backerplate
Available in Large



*Four Finish Options
Charcoal, Copper, Gun Metal and Black





GDIX3-1

Up to 30,000 BTU's
 Viewing Area: 22 11/16" W x 15" H
 For more detailed specifications
 on this unit, see page 18

Oakville™ X3 shown with Large 4-Sided Black Faceplate and MIRRO-FLAME™ Porcelain Reflective Radiant Panels.



MIRRO-FLAME™ Porcelain Reflective Radiant Panels (optional)



Old Town Red™ Brick Panels (optional)

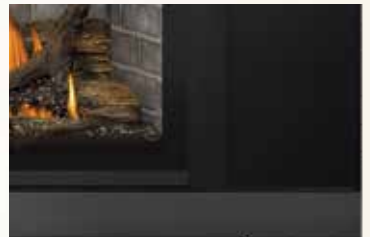


Westminster™ Brick Panels (optional)



Newport™ Standard Brick Panels (optional)

Choice of one panel to complete the unit is mandatory.



Riser Box (optional)



Blower Kit (included)



Remote Control (included)



eFIRE Enabled With App (included)

Oakville™ X4

Stunning Triple Flame Pattern

The largest in the Oakville™ Series, the impressive Oakville™ X4 Gas Fireplace Insert has an exclusive dual burner split flow system that results in a firebox filled with a stunning triple flame pattern, and allows the option of independently operating the front and rear burners from 16,000 to 40,000 BTU's. A superior heat circulating blower comes included with this model and when paired with the Oakville™'s air flow improvement directional baffles, generates maximum blower efficiency. A stunning triple flame and massive 518 sq. in. viewing area makes this fireplace insert a perfect choice for larger rooms where a passion for luxury is evident.

Features & Options



Premium Split Oak Log Set (included)



Small 3-Sided Faceplates
Available in 4 finishes*
For use with the 3-sided backerplates



Small 4-Sided Faceplates
Available in 4 finishes*
For use with the 3 or 4-sided backerplates



Large 3-Sided Faceplates
Available in 4 finishes*
For use with the 3-sided backerplates



Large 4-Sided Faceplates
Available in 4 finishes*
For use with the 4-sided backerplate



Small Arched 4-Sided Faceplates
Available in 4 finishes*
For use with the 3-sided backerplates



3-Sided Backerplates
Available in black
Available in Small, Medium & Large



4-Sided Backerplate
Available in Large



*Four Finish Options
Charcoal, Copper, Gun Metal and Black





GDIX4-1

Up to 40,000 BTU's

Viewing Area: 27 3/4" W x 18 11/16" H

For more detailed specifications on this unit, see page 18



Napoleon's Hot Spots Research Study divulges how over 90% of people surveyed strongly desire a fireplace in the family / living room.

The Oakville™ X4 shown with Large 4-Sided Gunmetal Faceplate and 4-Sided Backerplate



MIRRO-FLAME™ Porcelain Reflective Radiant Panels (optional)



Old Town Red™ Brick Panels (optional)

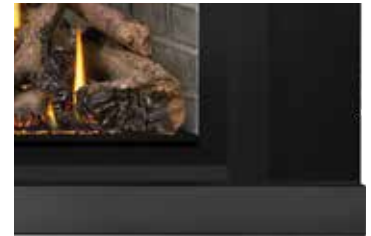


Westminster™ Brick Panels (optional)



Newport™ Standard Brick Panels (optional)

Choice of one panel to complete the unit is mandatory.



Riser Box (optional)



Blower Kit (included)



Remote Control (included)



eFIRE Enabled With App (included)

Inspiration™ ZC

Smallest Fireplace Opening, Large Viewing Area

The multi-level advanced burner technology of the Inspiration™ ZC produces beautiful, realistic YELLOW DANCING FLAMES® and the exclusive PHAZER® log set and charcoal ember bed are so realistic, they will be mistaken for a real wood fire. This award-winning gas insert is designed to fit the smallest fireplace openings but offers a large ceramic glass viewing area. The Inspiration™ ZC comes complete with a heat activated variable speed blower system making it the perfect gas insert for any room in your home.

(only available in USA)

Features & Options



Andirons Painted Black



F45 & F60 Remote Controls On/Off



Cast Iron Surround



Decorative Sandstone Brick Panels



MIRRO-FLAME™ Porcelain Reflective Radiant Panels



Painted Black Surround



Brushed Stainless Surround



Contemporary Black Trim



Textured Satin Black 3-Sided Aluminum Trim



Black 3-Sided Flashing



Black 4-Sided Flashing





GDIZC

Up to 24,000 BTU's

Viewing Area: 25" W x 14 1/2" H

For more detailed specifications on this unit, see page 19

Fiberglow™ Vented Gas Log Sets

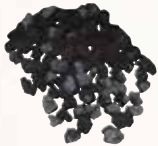
Ambiance Your Home Deserves

No need to split and haul wood to your masonry fireplace, simply add a realistic Napoleon Gas Log Set. In today's demanding society where life never seems to slow down, we crave the simple pleasures that bring back relaxation, comfort and treasured times with family and friends. Napoleon's gas log sets feature an electronic ignition, a clean burning infrared radiant heat burner system and are available in three sizes.

Features & Options



F45 & F60 Remote Controls On/Off



Lava Rocks / Cinders (included)



Cast Iron Grate (included)



GL18E - 18" Log Set

Up to 55,000 BTU's
16" H x 20 3/8" W x 13 1/4" D



GL24E - 24" Log Set

Up to 60,000 BTU's
16" H x 26" W x 13 1/4" D



GL30E - 30" Log Set

Up to 65,000 BTU's
16" H x 30" W x 13 1/4" D

For more detailed specifications on these units, see page 19

***VENT FREE LOG SETS ALSO AVAILABLE.**
Vent free appliances not approved in Canada and some states.





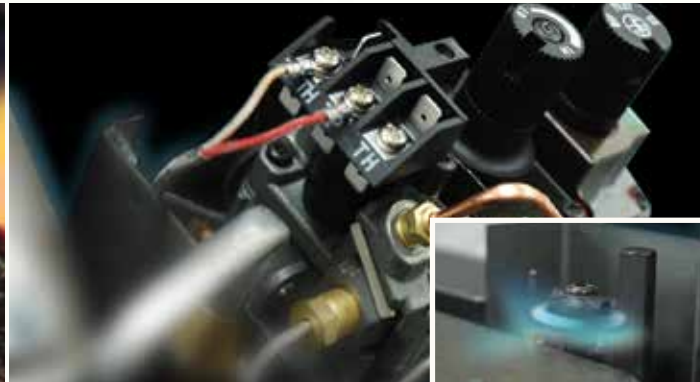
Fiberglow™ 18 shown with Grate, Andirons, Lava Rocks and Cinders.



Fiberglow™ 30 shown with Grate, Andirons, Lava Rocks and Cinders.

Outstanding Features

of Napoleon's Advanced Technology



Advanced Burner Technology

Napoleon's sophisticated burner system offers superior flame technology. Strategically placed burner ports create the most realistic **YELLOW DANCING FLAMES**® in the industry.

Finely Tuned Precision Valves

Surrounded with a protective cast aluminum jacket, the precision valves allow for ultimate reliability and 100% **SAFE GUARD**™ gas control system.

Minimum 30% savings on heating costs with Zone Heating



Zone Heating means you are heating the rooms that you use the most with an alternate heat source, like a Napoleon gas fireplace insert. Zone Heating is the obvious solution for families concerned about rising fuel costs.

Outstanding Craftsmanship

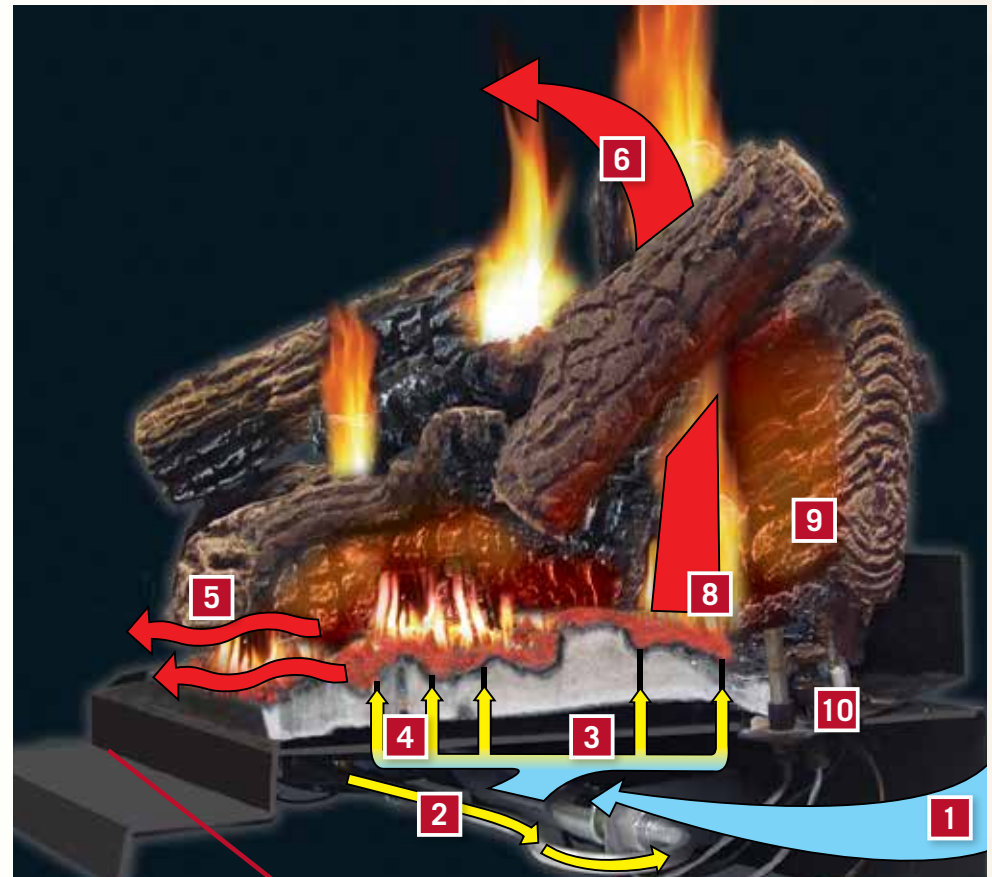
Fine details are designed into every aspect of Napoleon fireplaces and are individually handcrafted with pride of excellence to last a lifetime.

Safety Screens

Napoleon, leaders in design & technology have developed premium safety screens that are minimally visible and therefore aesthetically pleasing for every gas appliance to ensure ultimate safety and peace of mind for you and your family.

Outstanding Features of Napoleon's Fiberglow™ Gas Log Sets

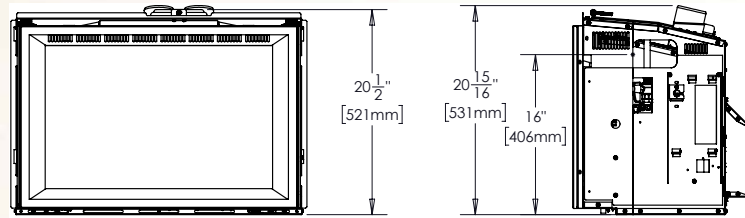
1. Air flows from the air intake opening.
2. Natural gas or propane flow into a precisely calibrated safety valve.
3. Air and fuel mix within the venturi tube.
4. The perfect blend of fuel and air mixture travels through the burner ports, strategically placed to begin the process of creating the most realistic flames in the industry.
5. Infrared heat from the exclusive PHAZERAMIC™ burner and ember bed provides up to 65,000 BTU's (GL30E).
6. Infrared heat technology and curved rear log design directs heat back into the room.
7. Controls are hidden from view but easy to access. The added feature of an on/off switch is conveniently located at the front side.
8. Flame sensor provides 100% SAFE GUARD™ system, quickly and automatically shutting off the gas supply for your peace of mind.
9. Electronic ignition with battery back-up ensures reliability without the need for electricity.
10. Ignition system is easy to operate with a digital remote control, wall switch or wall thermostat.



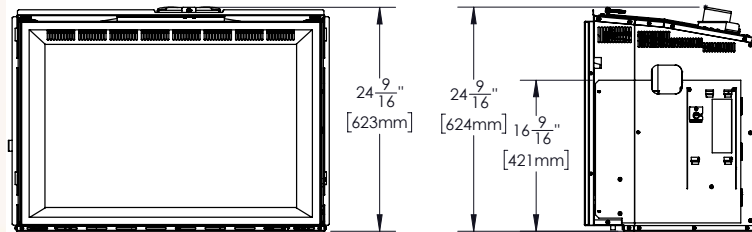
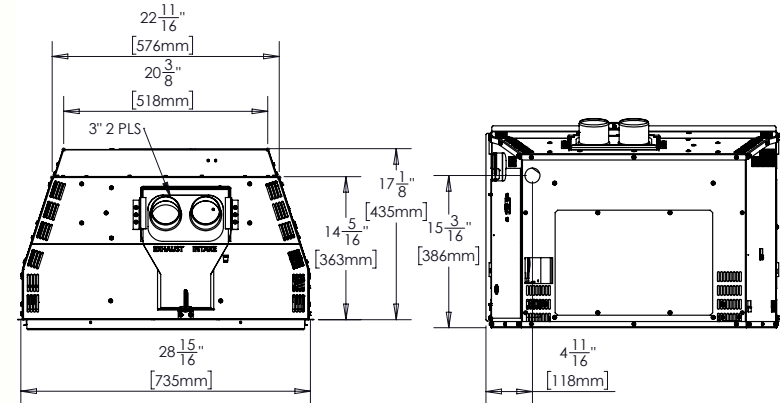
Oakville™ 3, 3G, X3 & X4

Shown on pages 4 - 11

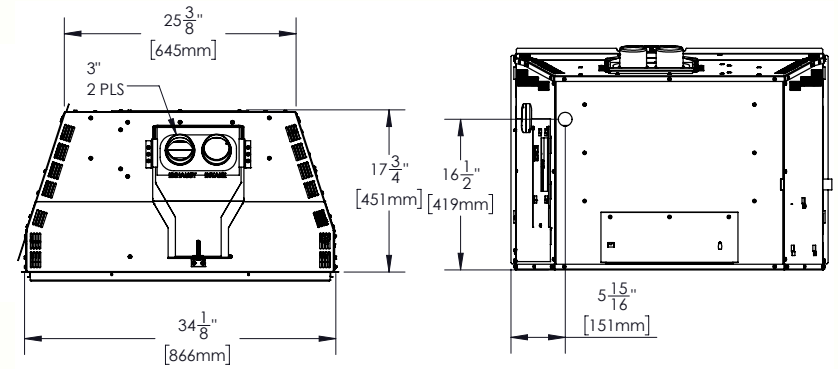
*Accessories may change unit dimensions



GDI3-1, GDIG3-1 & GDIX3-1



GDIX4-1



Model	BTU's (Input) NG	Venting 3" x 3"	Height		Front Width		Depth		Glass Type	Viewing Area		Efficiencies		Blower	Mobile Home Certified	Electronic Ignition
			Actual	Minimum Opening	Actual	Minimum Opening	Actual	Minimum Opening		Height	Width	EnerGuide	Steady State			
GDI3-1	24,500	Top	20 1/2"	21"	28 15/16"	29"	14 5/16"	14 3/8" *	Ceramic	15"	22 3/4"	55%	55.22%	Optional	Yes	Yes
GDIG3-1	24,000	Top	20 1/2"	21"	28 15/16"	29"	17 1/8"	17 1/8"	Ceramic	15"	22 3/4"	61.7%	66.42%	Included	Yes	Yes
GDIX3-1	30,000	Top	20 1/2"	21"	28 15/16"	29"	17 1/8"	17 1/8"	Ceramic	15"	22 3/4"	61.8%	66.84%	Included	Yes	Yes
GDIX4-1	40,000	Top	24 9/16"	24 3/4"	34 1/8"	34 5/16"	17 3/4"	17 3/4"	Ceramic	18 11/16"	27 3/4"	61.5%	66.23%	Included	Yes	Yes

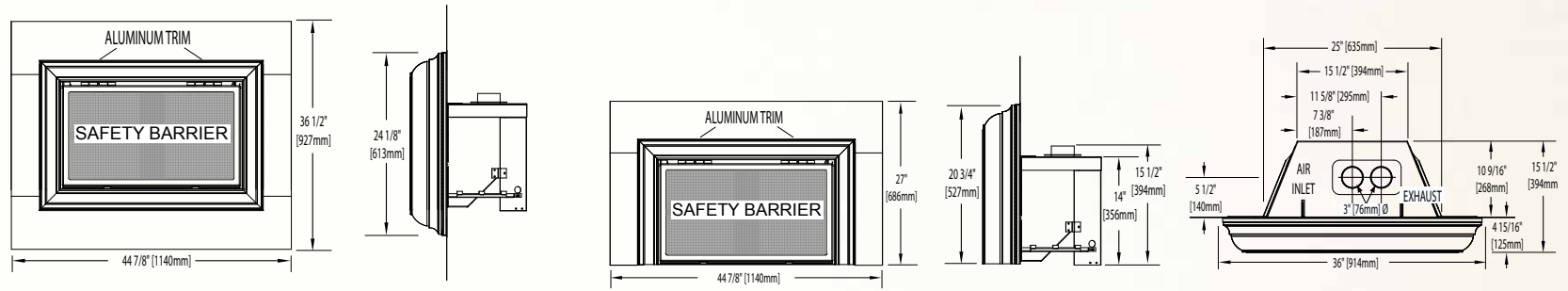
* Must add 4" (102mm) for optional blower
Certified under Canadian and American National Standards.

Figures may vary with individual conditions such as floor plan layout, insulation value/heat loss of the house and geographical location.
Measurements to be used as a guide only. Consult your owner's manual for complete and up-to-date installation instructions and proper clearances to combustible materials.

Inspiration™ ZC (US only)

Shown on pages 12 - 13

*Accessories may change unit dimensions



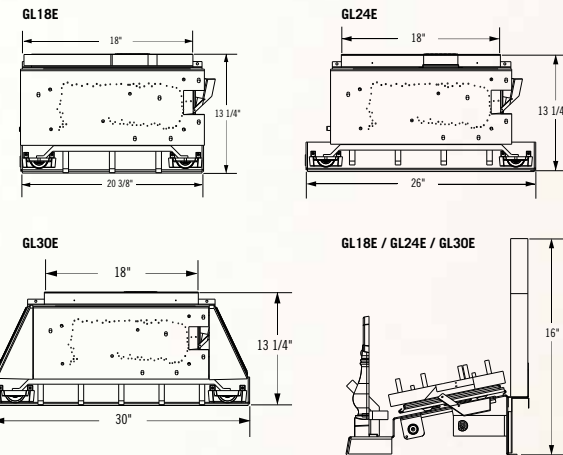
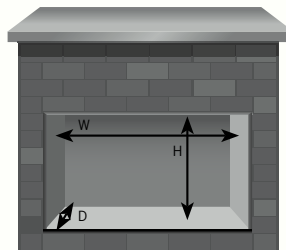
Model	BTU's (Input)		Venting	Height			Front Width		Depth		Glass Type	Viewing Area		Efficiencies			Blower	Mobile Home Certified	Electronic Ignition
	Natural Gas	Propane		Actual (Three-Sided)	Actual (Four-Sided)	Minimum Opening	Actual	Minimum Opening	Actual	Minimum Opening		Height	Width	EnerGuide	AFUE	Steady State			
GDIZC	14 - 24,000	15 - 24,000	Top	20 3/4"	24 1/8"	14 1/2"	36"	25"	15 1/2"	11"	Ceramic	15 5/8"	28 1/8"	65.5%	65%	85%	Included	Yes	No

Certified under Canadian and American National Standards.

Fiberglow™ Vented Gas Log Sets

Shown on pages 14 - 15

Model	Minimum Size Fireplace Opening		
	Height*	Width	Depth
18" GL18E	18"	22"	14"
24" GL24E	20"	28"	14"
30" GL30E	22"	34"	14"



*Allow 4-6" additional height for optimum flame appearance. Certified under Canadian and American National standards: CSA 2.26, ANSI Z21.60 decorative gas appliances for installation in solid-fuel burning appliances.

Figures may vary with individual conditions such as floor plan layout, insulation value/heat loss of the house and geographical location. Measurements to be used as a guide only. Consult your owner's manual for complete and up-to-date installation instructions and proper clearances to combustible materials.

NAPOLEON

CELEBRATING OVER 40 YEARS OF HOME COMFORT PRODUCTS



napoleon.com

24 Napoleon Road, Barrie, Ontario, Canada L4M 0G8
103 Miller Drive, Crittenden, Kentucky, USA 41030
7200 Trans Canada Highway, Montreal, Quebec, Canada H4T 1A3

Tel: 1-866-820-8686



Authorized Dealer

Due to room reflections and printing processes, actual colors of fireplaces, finishes and accessories may vary slightly. Consult your owner's manual for complete installation instructions, accurate framing dimensions and proper clearances to combustible material. Check all local and national building codes. All specifications are subject to change without prior notice due to on-going product improvements. Products may not be exactly as shown. Napoleon is a registered trademark of Wolf Steel Ltd. © Wolf Steel inc.

Printed in Canada
ADB RN1-GINS 07/2022