

INSTALLER: Leave these instructions with the appliance this terminal is serving.

CONSUMER: Retain these instructions for future reference. These instructions are to be used in conjunction with the appliance and PVA instructions.

ENGLISH

FRENCH PG. 29

INSTALLATION MANUAL

WOLF STEEL LTD.

Gas Power Vent (GPV)

The GPV is a Direct Vent Terminal designed to allow installation of gas appliances where typical vent configurations cannot be achieved.

GENERAL INFORMATION

These installation instructions must be used in conjunction with the appliance and appropriate PVA adapter kit installation instructions. Clearances listed in these instructions supersede those in the appliance's installation instructions.

Power venting of direct vent appliances may result in the reduction of efficiencies by as much as ten percent. Consider this in making any venting and heating decisions in any installation application.

Selecting and installing the appliance

When selecting a gas appliance for use with the GPV, take into consideration the various requirements and limitations in the venting installation section for the following models:

Models equipped with an Intermittent Pilot Ignition (IPI)

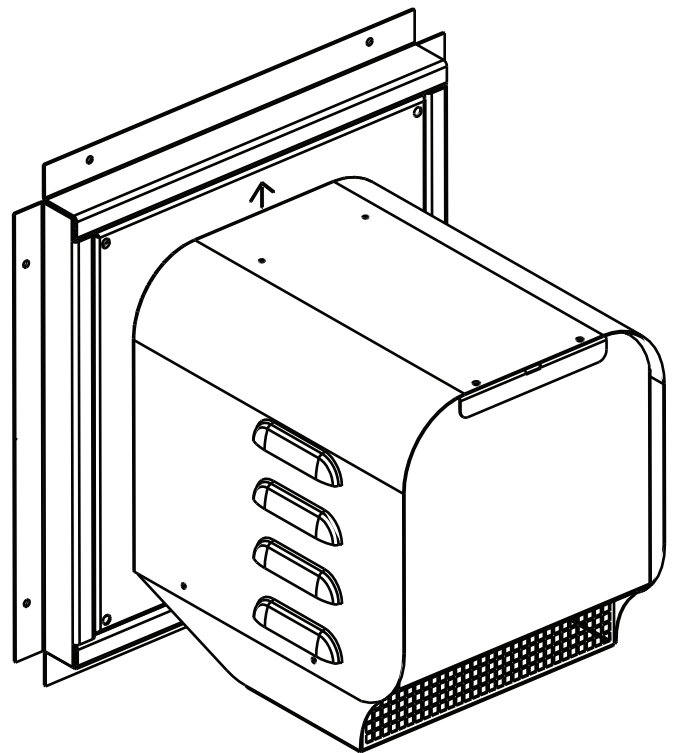
It is recommended that the GPV be used with a gas appliance equipped with an Intermittent Pilot Ignition (IPI). Downward vertical vent runs are permitted with an IPI system. See venting section in appropriate PVA installation instructions.

Models equipped with Millivolt / Standing Pilot

Downward vertical vent runs are not permitted with a standing pilot system. See venting section in appropriate PVA installation instructions.

INSTALLATION TO BE DONE BY A QUALIFIED INSTALLER to conform with local codes. In absence of local codes, install to the current National Building Code of Canada or to regional building codes in the United States. It must be electrically connected and grounded in accordance with local codes. In the absence of local codes, use the current CSA C22.1 Canadian Electrical Code in Canada or the ANSI/NFPA 70 Electrical Code in the United States.

The GPV operates on 120 VAC 60 Hz electrical service which is supplied at the firebox junction box.



**CERTIFIED TO:
CANADIAN AND AMERICAN NATIONAL STANDARDS:
CSA 2.22 AND ANSI Z21.50
FOR VENTED DECORATIVE GAS APPLIANCES
CSA 2.33 AND ANSI Z21.88
FOR VENTED GAS FIREPLACE HEATERS**



Wolf Steel Ltd., 24 Napoleon Rd., Barrie, ON, L4M 0G8 Canada / 103 Miller Drive, Crittenden, Kentucky, USA, 41030
Phone 1 (866) 820-8686 • www.napoleon.com • hearth@napoleon.com

table of contents

1.0	venting	2
1.1	installation overview	3
1.2	vent terminal clearances	4
1.3	vent lengths	5
1.4	power vent terminal	5
1.4.1	terminal installation	5
1.5	firestop venting installation	6
1.6	adding vent length	6
1.6.1	power vent installation	7
1.6.2	initial firing procedures	8
1.6.3	electrical connection	8
1.6.4	hard wiring connection	8
1.6.5	receptacle wiring diagram	8
1.6.6	electrical box installation	9
1.7	restrictor plate installation	9
1.8	wiring diagram and installation	9
1.8.1	SIT IPI Proflame 0 880/886 for single pole switch or optional remote control	10
1.8.2	SIT IPI 885 Proflame 1 equipped with a remote control	11
1.8.3	SIT IPI 885 Proflame 1 not equipped with a remote control	12
1.8.4	SIT IPI Proflame 2 control system	13
1.8.5	SIT IPI Proflame 2 control system (for use with PVALX3 / PVALX5)	14
1.8.6	SIT millivolt 820	16
1.8.7	SIT IPI Proflame 2 for single pole switch	17
1.8.8	SIT millivolt 820 Nova and equipped with optional remote control	18
1.8.9	SIT IPI 880/886 Proflame	19
1.8.10	SIT IPI 880/886 for single pole switch or optional remote control	20
1.8.11	dexen IPI 6003-3V	21
1.8.12	dexen IPI 6003-3V requiring a single pole switch or optional remote control	22
1.8.13	dexen H3V requiring a single pole switch or optional remote control	23
2.0	adjustments	24
2.1	venturi adjustments	24
3.0	replacements	25
4.0	troubleshooting	26

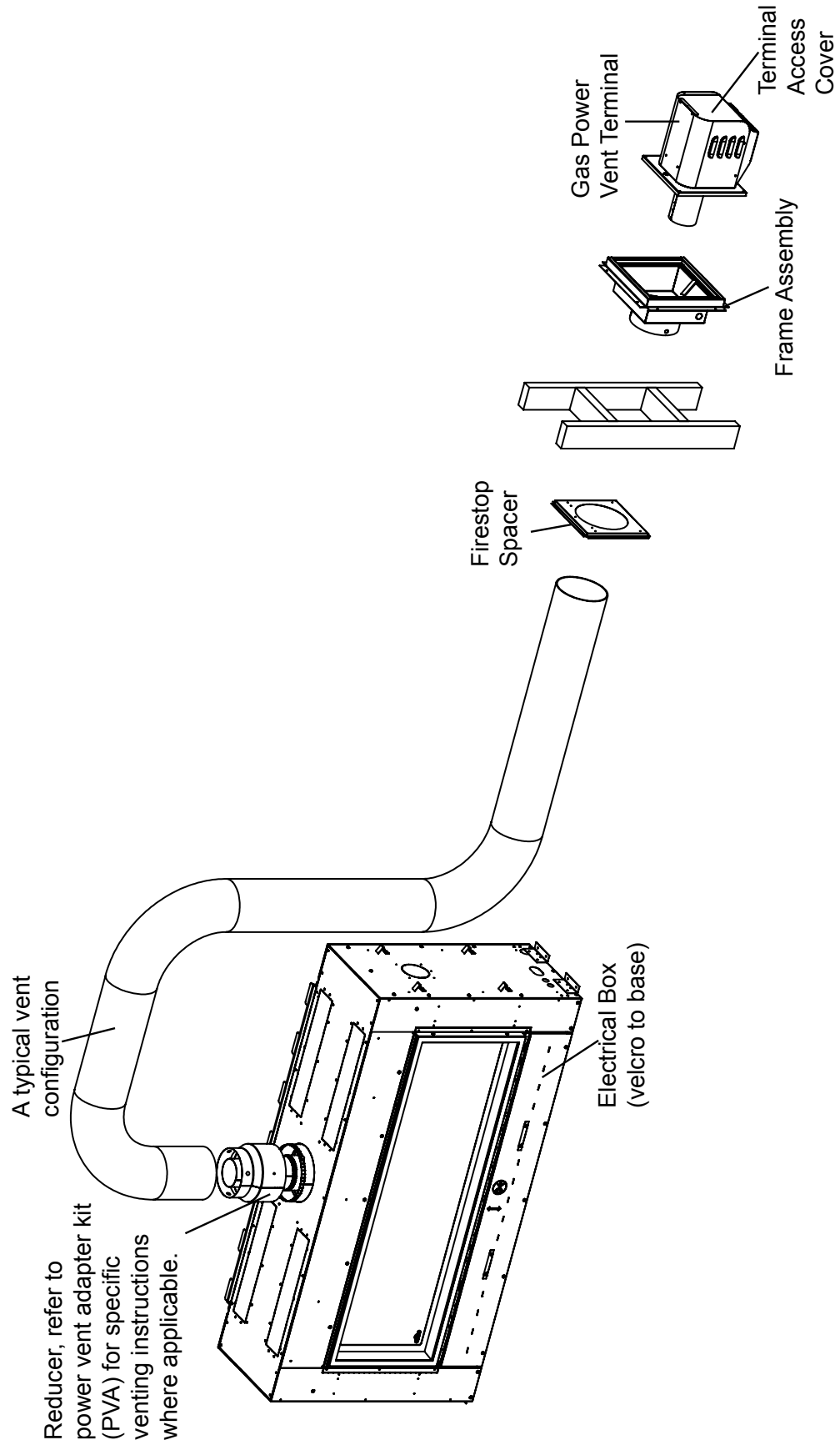
NOTE: Changes, other than editorial, are denoted by a vertical line in the margin.

1.0 venting

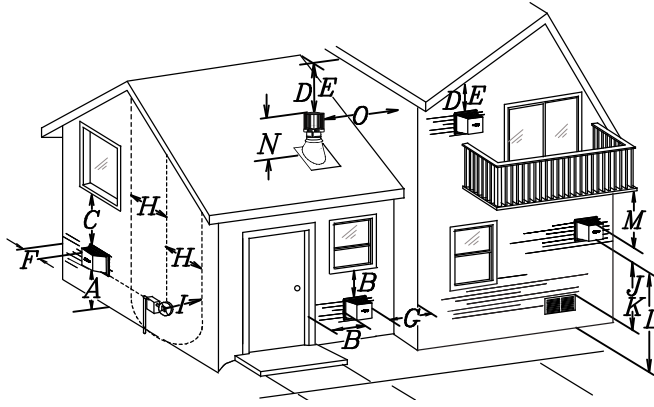
There are specific adaptors and venting requirements for each appliance, refer to your power vent adaptor leaflet for more information.

For complete installation instructions, visit the Professionals Support Center website.

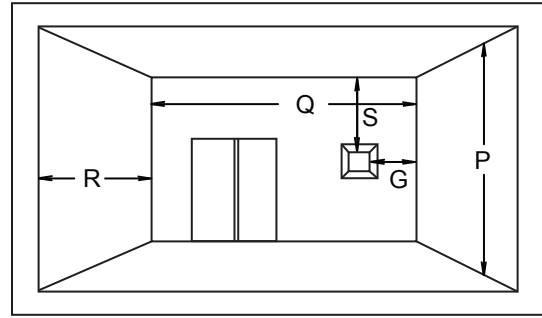
1.1 installation overview



1.2 vent terminal clearances



COVERED BALCONY APPLICATIONS ††*



$Q_{MIN} = 3 \text{ feet}$ (0.9m)	$R_{MAX} = 2 \times Q_{ACTUAL}$	$R_{MAX} \leq 15 \text{ feet}$ (4.6m)
--------------------------------------	---------------------------------	--

	INSTALLATIONS		note:
	CANADA	U.S.A.	
A	12" (304.8mm)	12" (304.8mm)	Clearance above grade, veranda porch, deck or balcony.
B	12" (304.8mm) ^Δ	9" (228.6mm) ^Δ	Clearance to windows or doors that open.
C	12" (304.8mm)*	12" (304.8mm)*	Clearance to permanently closed windows.
D	18" (457.2mm)**	18" (457.2mm)**	Vertical clearance to ventilated soffits located above the terminal within a horizontal distance of 2' (0.6m) from the center line of the terminal.
E	12" (304.8mm)**	12" (304.8mm)**	Clearance to unventilated soffit.
F	0" (0mm)	0" (0mm)	Clearance to an outside corner wall.
G	0" (0mm)	0" (0mm)	Clearance to an inside non -combustible corner wall or protruding non -combustible obstructions (chimney, etc.).
	2" (50.8mm)	2" (50.8mm)	Clearance to an inside combustible corner wall or protruding combustible obstructions (vent chase, etc.).
H	3' (0.9m)	3' (0.9m)***	Clearance to each side of the center line extended above the meter / regulator assembly to a maximum vertical distance of 15' (4.6m).
I	3' (0.9m)	3' (0.9m)***	Clearance to a service regulator vent outlet.
J	12" (304.8mm)	9" (228.6mm)	Clearance to a non-mechanical air supply inlet to the building or a combustion air inlet to any other appliance.
K	6' (1.8m)	3' (0.9m)	Clearance to a mechanical air supply inlet.
L	7' (2.1m) ‡	7' (2.1m)***	Clearance above a paved sidewalk or paved driveway located on public property.
M	12" (304.8mm) ††	12" (304.8mm)***	Clearance under a veranda, porch or deck.
N	12" (304.8mm)	12" (304.8mm)	Clearance above the roof.
O	2' (0.6m) †*	2' (0.6m) †*	Clearance from an adjacent wall including neighbouring buildings.
P	8' (2.4m)	8' (2.4m)	Roof must be non -combustible without openings.
Q	3' (0.9m)	3' (0.9m)	See chart for wider wall dimensions.
R	6' (1.8m)	6' (1.8m)	See chart for deeper wall dimensions. The terminal shall not be installed on any wall that has an opening between the terminal and the open side of the structure.
S	12" (304.8mm)	12" (304.8mm)	Clearance under a covered balcony

Δ The terminal shall not be located less than 6 feet (1.8m) under a window that opens on a horizontal plane in a structure with three walls and a roof.

* Recommended to prevent condensation on windows and thermal breakage

** It is recommended to maximize the distance to vinyl clad soffits.

*** This is a recommended distance. For additional requirements check local codes.

‡ A vent shall not terminate where it may cause hazardous frost or ice accumulations on adjacent property surfaces..

†† Permitted only if the veranda, porch, or deck is fully open on a minimum of two sides beneath the floor.

†* Recommended to prevent recirculation of exhaust products. For additional requirements check local codes.

††* Permitted only if the balcony is fully open on a minimum of one side.

1.3 vent lengths

REFER TO POWER VENT ADAPTER KIT (PVA) FOR SPECIFIC VENTING INSTRUCTIONS.

NOTE: If equipped, ACS switch must be disabled if there is any downward venting. Downward venting is not allowed with appliances that use standing pilots.

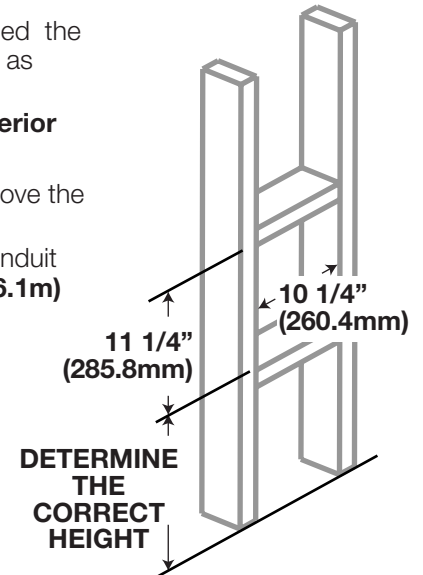
1.4 power vent terminal

1.4.1 terminal installation

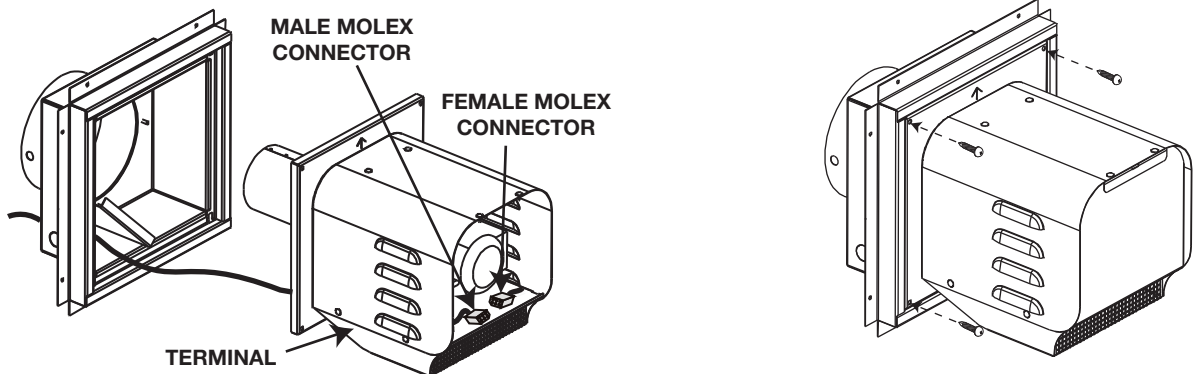
This application occurs when venting through an exterior wall. Having determined the correct height for the terminal location, cut and frame a hole in the exterior wall as illustrated to accommodate the GPV.

NOTE: Do not fill the air space between the firestop spacer and the exterior wall with any type of insulating material (i.e., spray foam).

- A. Remove the electrical access plate from the frame assembly, then remove the knock out from this plate.
- B. Insert the wiring through the electrical access plate and engage the conduit bushing. Re-secure this plate. **NOTE: The GPV includes a 20 foot (6.1m) wire harness cable. If this cable does not reach the appliance, then it may be cut and a splice added.** These connections must conform with local codes or, in the absence of local codes, use the current CSA C22.1 Canadian Electrical Code in Canada or the ANSI/NFPA 70 National Electrical Code in the United States.
- C. Remove terminal access cover, see "INSTALLATION OVERVIEW" for location and route cable through terminal.
- D. Assemble gas power vent terminal to frame assembly.
- E. Connect the male and female connectors.
- F. Replace terminal access cover.



NOTE: Where possible, it is strongly recommended to have an access panel inside the building for servicing the appliance.



1.5 firestop venting installation

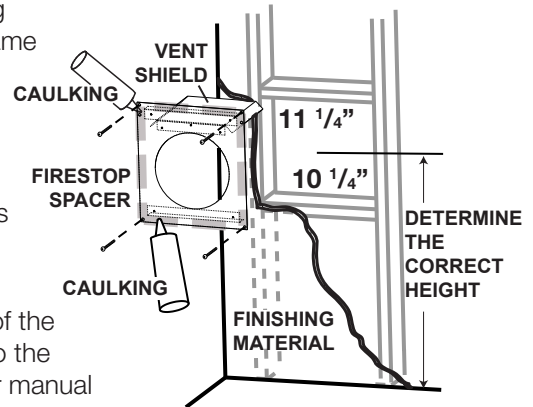
! WARNING

- The firestop assembly must be installed with the vent shield on top.
- Do not fill the cavity between the pipe and the framing with any type of material.
- Terminals must not be recessed into a wall or siding more than the depth of the return flange or the mounting plate.

This application occurs when venting through an exterior wall. Having determined the correct height for the air terminal location, cut and frame a hole in the exterior wall as illustrated to accommodate the firestop assembly. Dry fit the firestop assembly before proceeding to ensure the brackets on the rear surface fit to the inside surface of the horizontal framing.

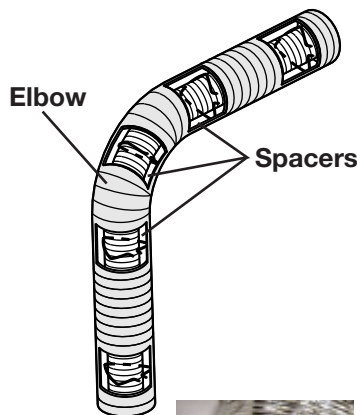
The length of the vent shield may be cut shorter for combustible walls that are less than 8 1/2" thick but the vent shield must extend the full depth of the combustible wall.

- Apply a bead of caulking (not supplied) around the corner edge of the inside surface of the firestop assembly, fit the firestop assembly to the hole and secure using the 4 screws W570-0026 (supplied in your manual baggie).
- Once the vent pipe is installed in its final position, apply high temperature sealant W573-0007 (not supplied) between the pipe and the firestop.



! WARNING

- Do not allow the inner flex pipe to bunch up on horizontal or vertical runs and elbows. Keep it pulled tight.
- Spacers are attached to the inner flex pipe at predetermined intervals to maintain an even air gap to the outer flex pipe. This gap is required for safe operation. A spacer is required at the start, middle, and end of each elbow to ensure this gap is maintained. These spacers must not be removed.

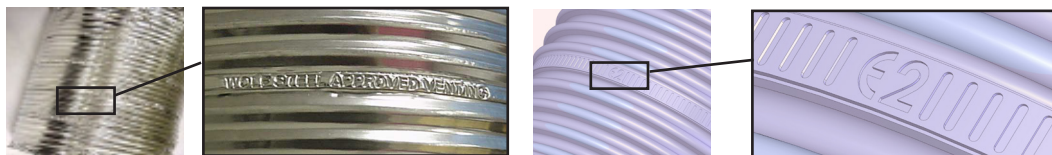


For safe and proper operation of the appliance, follow the venting instructions exactly.

The vent system must be supported approximately every 3 feet (0.9m) for both vertical and horizontal runs. Use Wolf Steel Ltd. support ring assembly or equivalent noncombustible strapping to maintain the minimum clearance to combustibles for both vertical and horizontal runs.

All inner flex pipe and outer flex pipe joints may be sealed using high temperature red RTV silicone W573-0002 (not supplied) or the high temperature sealant W573-0007 Mill Pac (not supplied). However, the high temperature sealant W573-0007 Mill Pac (not supplied) must be used on the joint connecting the inner flex pipe and the exhaust flue collar.

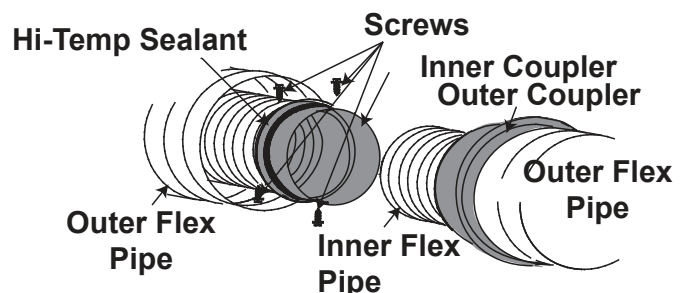
Use only approved flexible vent pipe kits marked:



“Wolf Steel Approved Venting” or “E2” as identified by the stamp only on the flex pipes.

1.6 adding vent length

If more vent pipe needs to be used to reach the fireplace, couple them together as illustrated. The vent system must be supported approximately every 3 feet for both vertical and horizontal runs. Use noncombustible strapping to maintain the minimum clearance to combustibles.



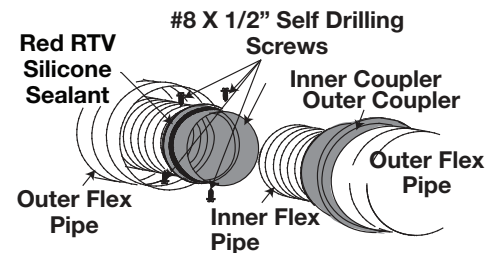
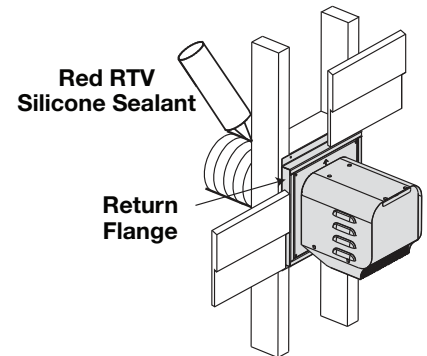
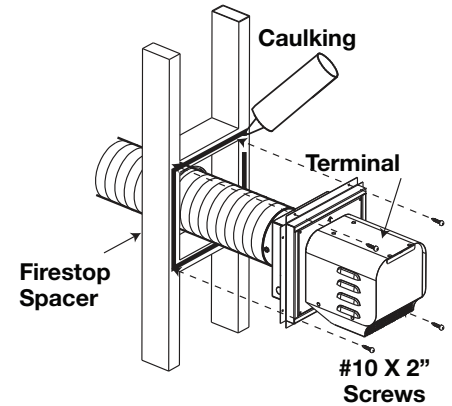
1.6.1 power vent installation

- A. Stretch the inner flex pipe to the required length taking into account the additional length needed for the finished wall surface. Slip the vent pipe a minimum of 3" (76.2mm) over the inner sleeve of the terminal and secure with a minimum of three #8 screws. Apply a heavy bead of red RTV silicone sealant (W573-0002) (not supplied).
- B. Using the outer flex pipe, slide over the outer combustion air sleeve of the terminal and secure with a minimum of three #8 screws. Seal using red RTV silicone sealant (W573-0002) (not supplied).
- C. Apply a bead of caulking (not supplied) to the framed opening and secure the terminal. Ensure the arrows stamped into the frame assembly are pointing upwards.

note:

For firestop spacer installation instructions, see PVA kit or the appliance Installation Manual.

- D. Route venting through framed opening and firestop spacer to the appliance.
- E. The terminal mounting plate may be recessed into the exterior wall or siding no greater than the depth of its return flange.
- F. If more vent pipe needs to be used to reach the appliance, couple them together as illustrated. The vent system must be supported approximately every 3 feet (0.9m) for both vertical and horizontal runs. Use noncombustible strapping to maintain the minimum clearance to combustibles.
- G. Install the reducer (if required) or vent to the appliance and properly secure and seal using Mill Pac sealant (W573-0007) (not supplied).



1.6.2 initial firing procedures

⚠ WARNING

- Always light the pilot whether for the first time or if the gas supply has run out with the glass door opened or removed. Purge should be performed by a qualified service technician. Assure that a continuous gas flow is at the burner before closing the door. Ensure adequate ventilation.

In some instances the system may not light pilot/burner with the door open/removed. Partially blocking the exhaust flue collar will allow the safety pressure switch to activate and allow gas flow to the pilot during the initial test firing.

1.6.3 electrical connection

⚠ WARNING

- Do not use this appliance if any part has been under water. Call a qualified service technician immediately to have the appliance inspected for damage to the electrical circuit.
- Risk of electrical shock or explosion. Do not wire 110V to the valve or to the appliance wall switch. Incorrect wiring will damage controls.
- All wiring should be done by a qualified electrician and shall be in compliance with local codes. In the absence of local codes, use the current CSA22.1 Canadian Electric Code in Canada or the current National Electric Code ANSI/NFPA NO. 70 in the United States.
- Always light the pilot whether for the first time or if the gas supply has run out, with the glass door opened or removed.

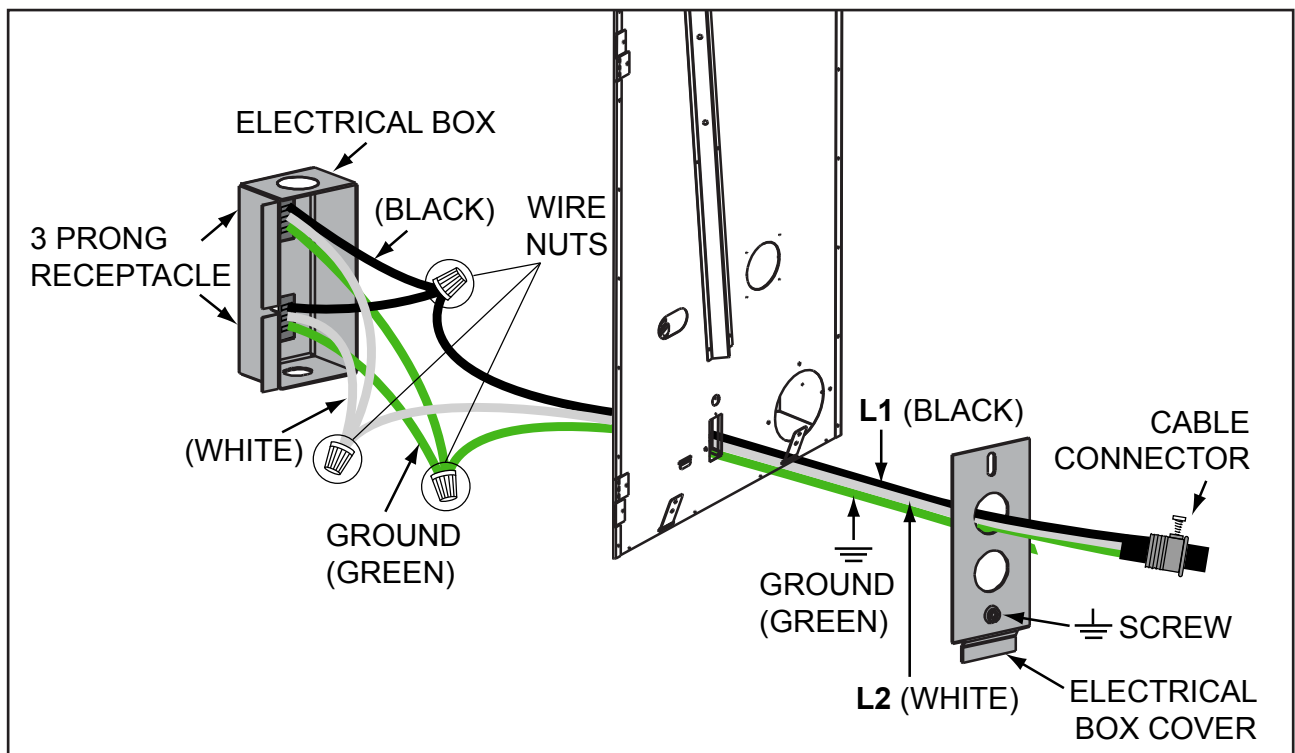
1.6.4 hard wiring connection

It is necessary to hard wire this appliance.

Permanently framing the appliance with an enclosure, requires the appliance junction box to be hard wired.

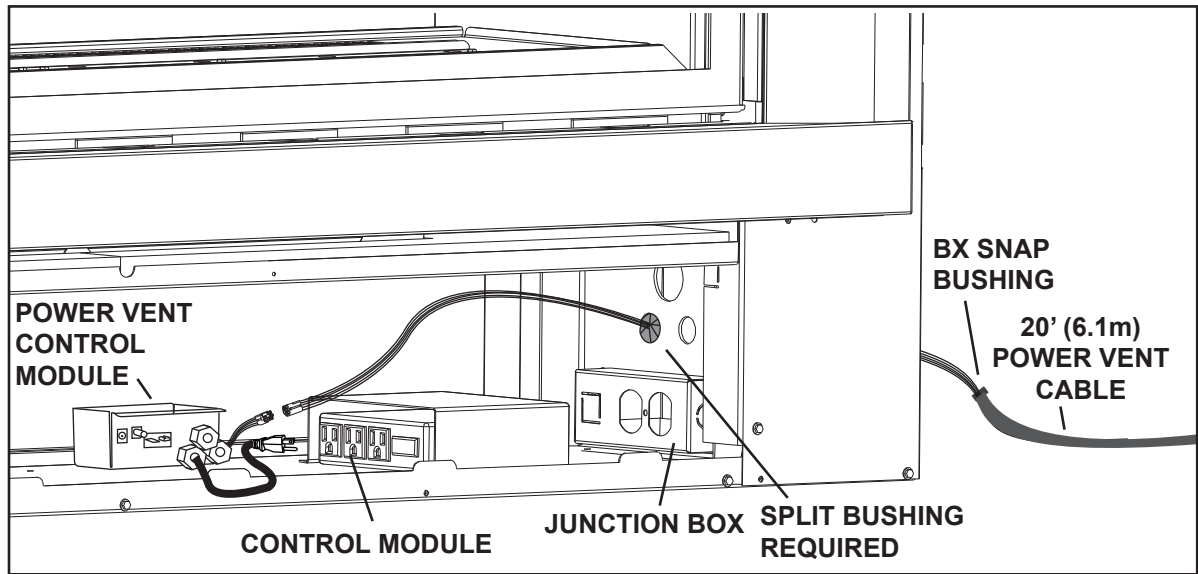
This appliance must be electrically connected and grounded in accordance with local codes. In the absence of local codes, use the current CSA C22.1 Canadian electrical code in Canada or the ANSI/NFPA 70-1996 national electrical code in the United States.

1.6.5 receptacle wiring diagram



1.6.6 electrical box installation

NOTE: Before finishing in the appliance, the power vent must be installed.



- A. Start by removing the pre-finishing access panel or opening lower louvre.
- B. Position the Power Vent Control Module in a convenient location (not on top of the heat shield in the LHD50) and Velcro it to the base of the appliance.
- C. Slide the 20' (6.1m) power vent cable through the right side of the appliance and connect the box connector to the side panel, see "installation overview" section for illustration.
- D. Feed the wires through the inside panel, slide the split bushing over the coated wires and snap into the 7/8" (22.2mm) hole to protect the wires as illustrated. Attach the connections as per the appropriate wiring diagram. See "wiring diagram and installation" section.
- E. Plug the power vent control module into either the appliance junction box or the control module, if equipped.

1.7 restrictor plate installation

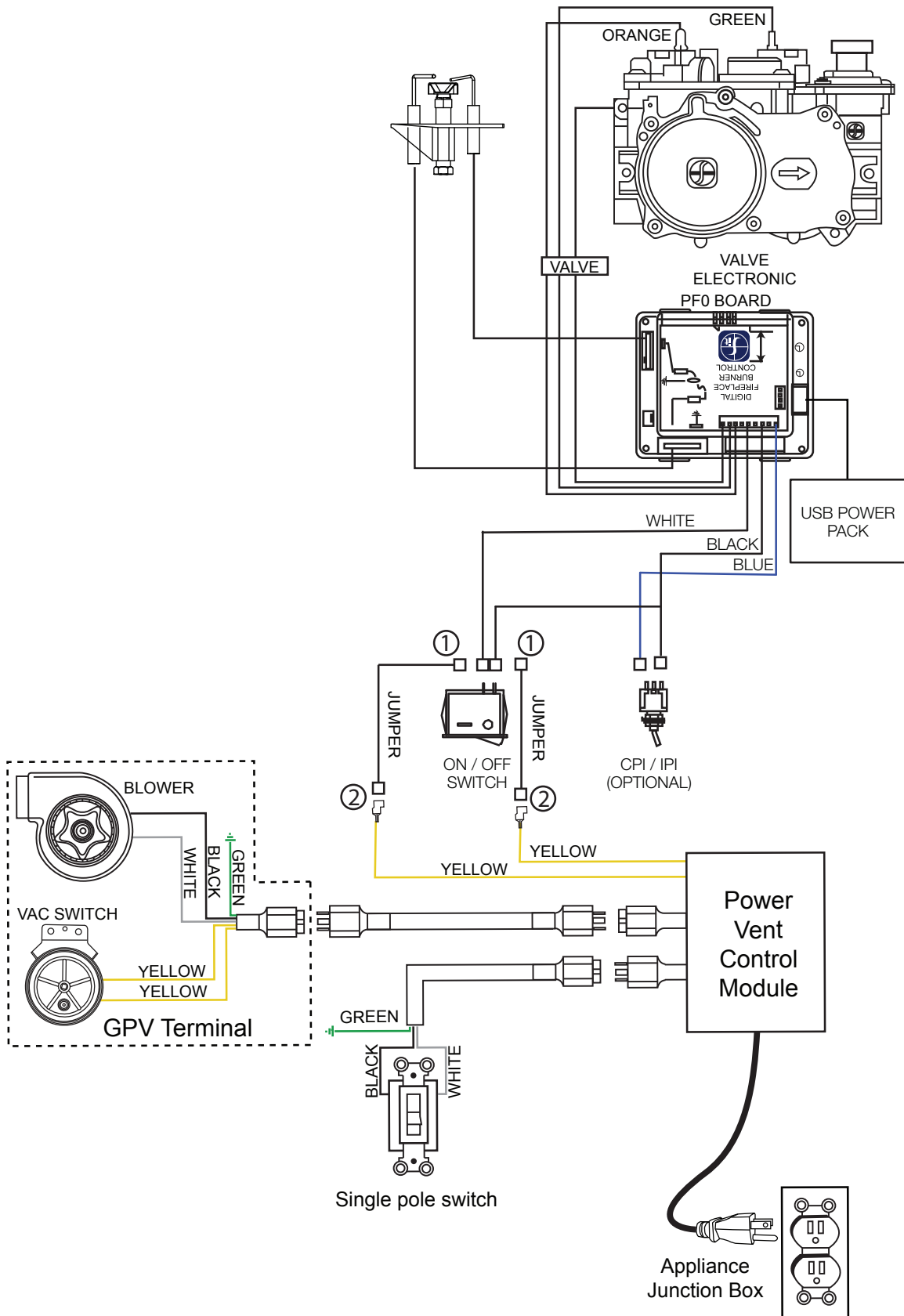
REFER TO PVA KIT FOR APPLIANCE SPECIFIC INSTRUCTIONS.

1.8 wiring diagram and installation

Connect the wiring to the power vent termination as outlined in the previous section, and connect the wiring to the appliance as outlined in the schematic below. Ensure that the proper clearances are maintained for the wiring and conduit. When installing the wiring it must never run above the vent run and it must be a minimum 1" (25.4mm) from all venting.

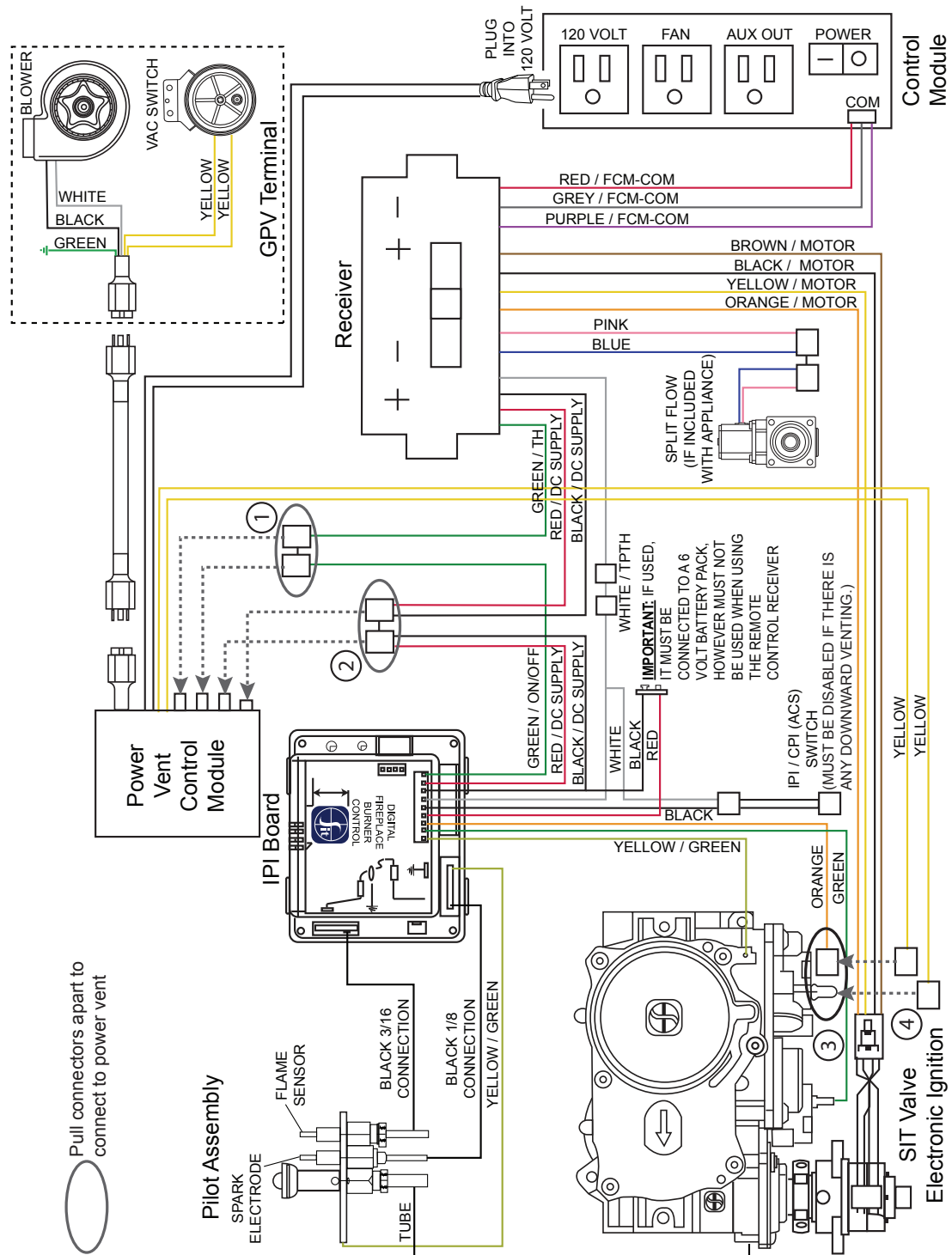
NOTE: The GPV includes a 20 foot (6.1m) wire harness. If this harness does not reach the appliance, then it may be cut and a splice added. These connections must conform with local codes or, in the absence of local codes, use the current CSA C22.1 Canadian Electrical Code in Canada or the ANSI/NFPA 70 National Electrical Code in the United States.

1.8.1 SIT IPI Proflame 0 880/886 for single pole switch or optional remote control



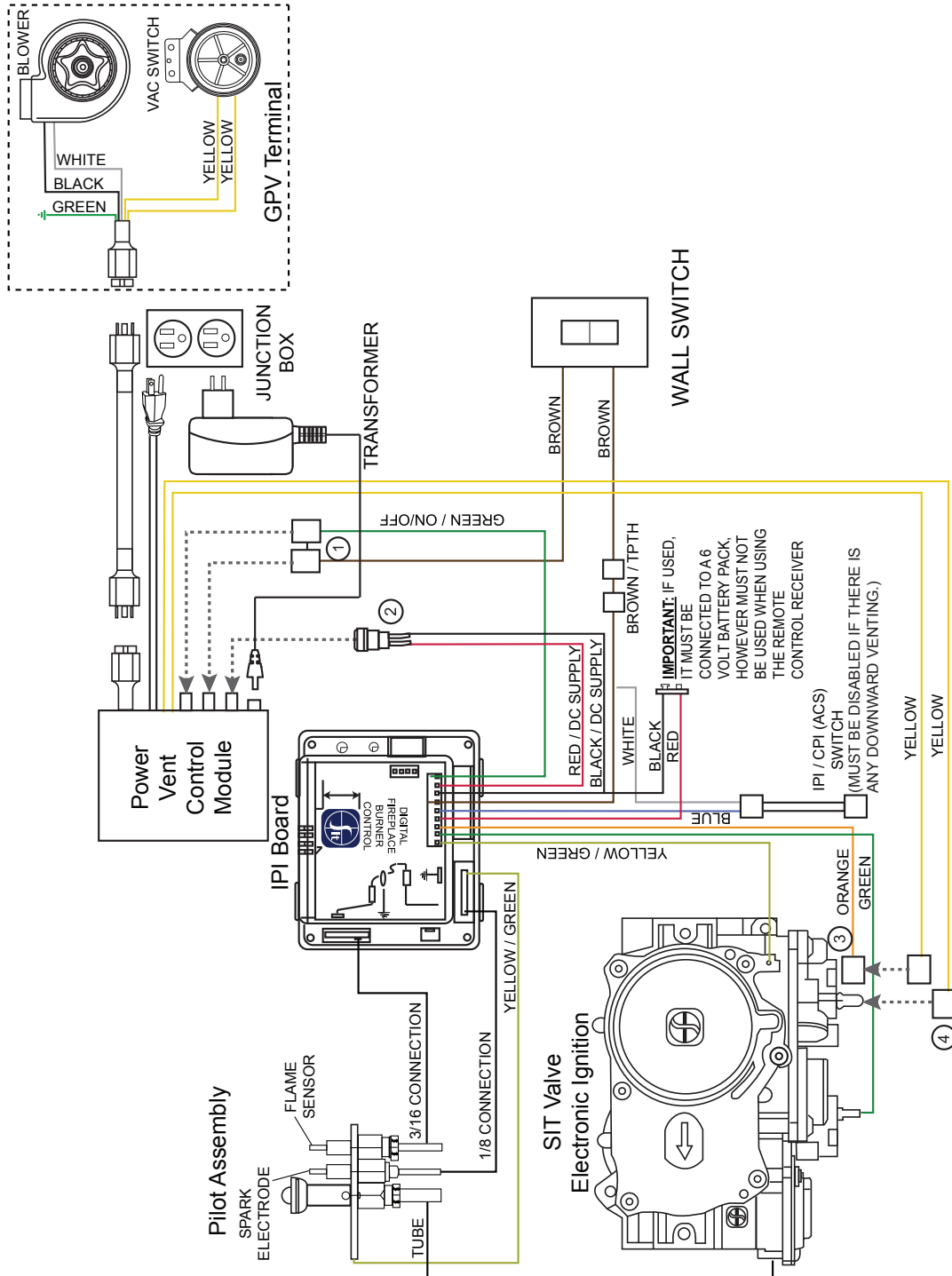
1.8.2 SIT IPI 885 Proflame 1 equipped with a remote control

1. Disconnect the wires labeled ON/OFF (White/Green) and TH (Green). Reconnect them to the corresponding male/female connectors on the Power vent control module.
2. Disconnect the two D/C (Red/Black) wires from each other and reconnect them to the corresponding D/C connectors on the Power vent control module.
3. Disconnect the Orange wire from the gas valve and reconnect it to the Yellow wire (female connector) from the Power vent control module.
4. Connect the remaining Yellow wire (male connector) from the Power vent control module to the tab on the gas valve where the Orange wire was removed.



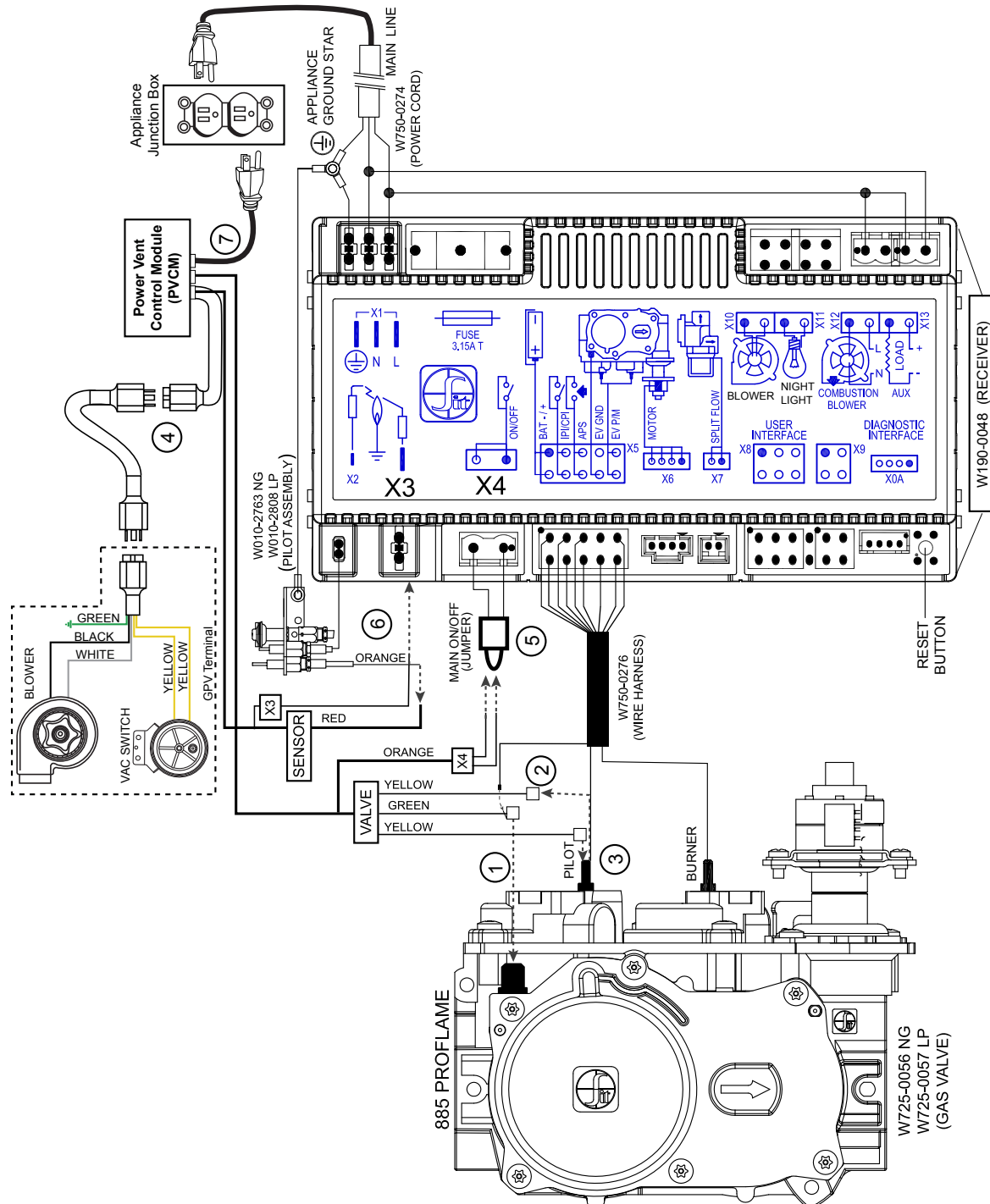
1.8.3 SIT IPI 885 Proflame 1 not equipped with a remote control

1. Disconnect the wires labeled ON/OFF (Green) from the switch wire (Brown). Reconnect them to the corresponding male/female connectors on the Power vent control module.
2. Disconnect the two D/C (Red/Black) wires from each other and reconnect them to the corresponding D/C connectors on the Power vent control module.
3. Disconnect the Orange wire from the gas valve and reconnect it to the Yellow wire (female connector) from the Power vent control module.
4. Connect the remaining Yellow wire (male connector) from the Power vent control module to the tab on the gas valve where the Orange wire was removed.
5. Plug in the transformer and the Power vent control module.



1.8.4 SIT IPI Proflame 2 control system

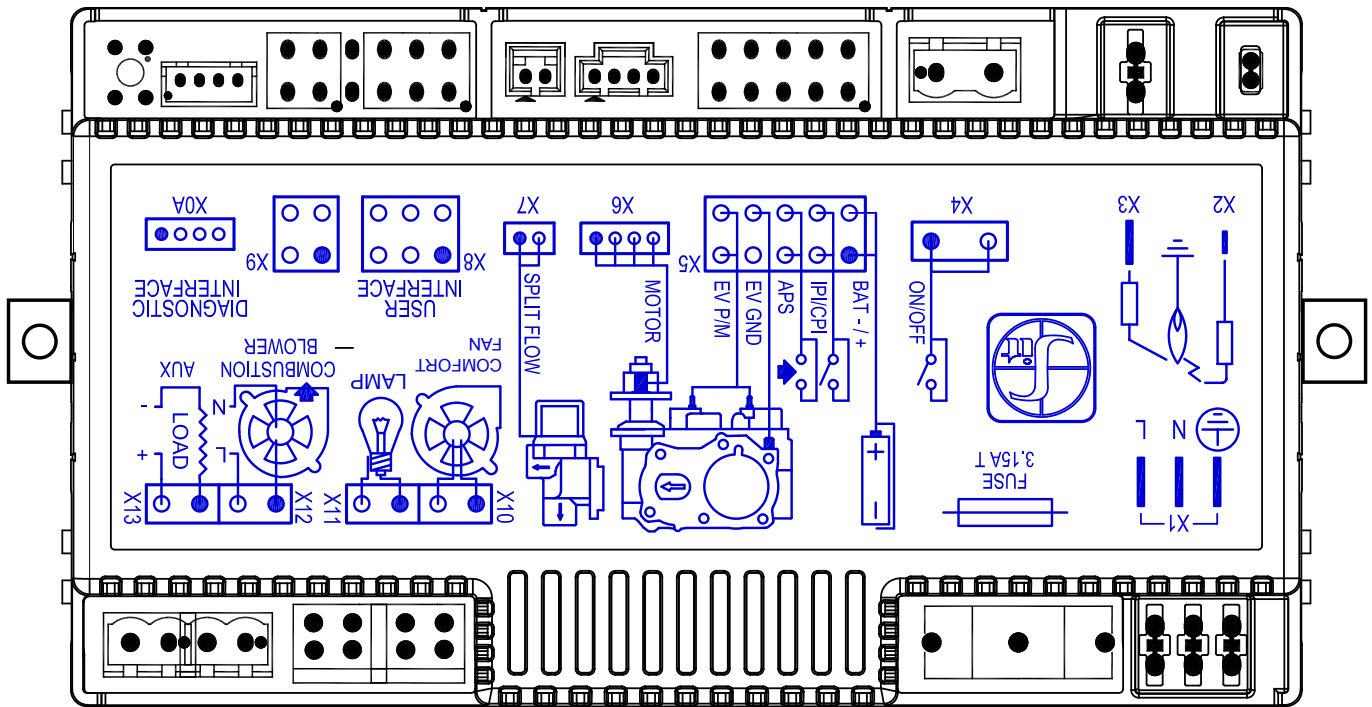
1. Disconnect the (yellow/green) ground wire from the valve and connect it to the (green) ground wire, with piggy back connector, from the PVCM and then reconnect to the valve.
2. Disconnect the (orange) wire from the valve and connect it to the (yellow) wire, with male end, from the PVCM.
3. Connect the other (yellow) wire from the PVCM to the valve.
4. Connect the wire harness from the GPV terminal to the harness from the PVCM.
5. Disconnect the MAIN ON/OFF (JUMPER) from "X4" and discard. Connect the (orange) wire from the PVCM to the "X4" location on the receiver.
6. Disconnect the (orange) sensor wire from "X3" of the receiver and connect it to the (red) sensor wire from the PVCM. Connect the (red) lead from the PVCM to "X3" of the receiver. Ensure all connections are tight.
7. Plug in the power cord from the PVCM.



1.8.5 SIT IPI Proflame 2 control system (for use with PVALX3 / PVALX5)

Control Board Installation

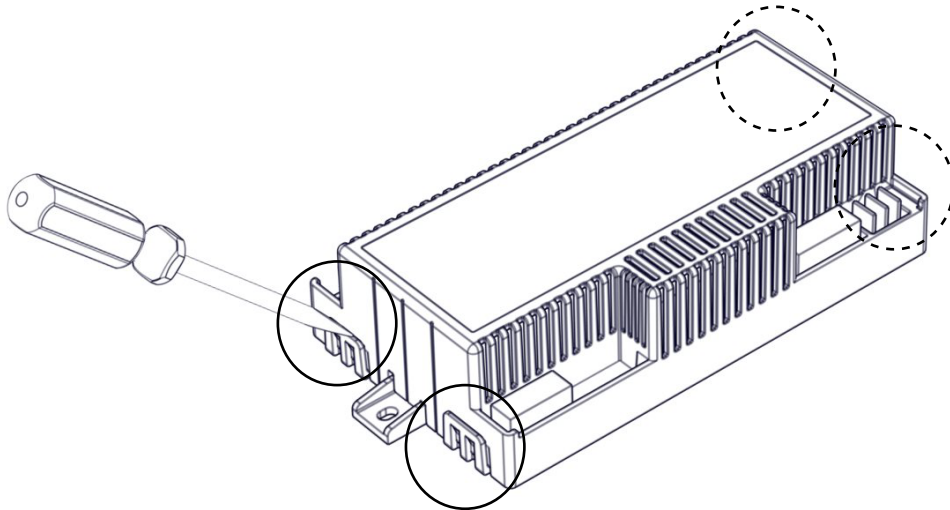
1. Identify all wires to avoid confusion when reinstalling the control board. Disconnect all wires from control board.



note:

Wire connections will only fit in designated locations.

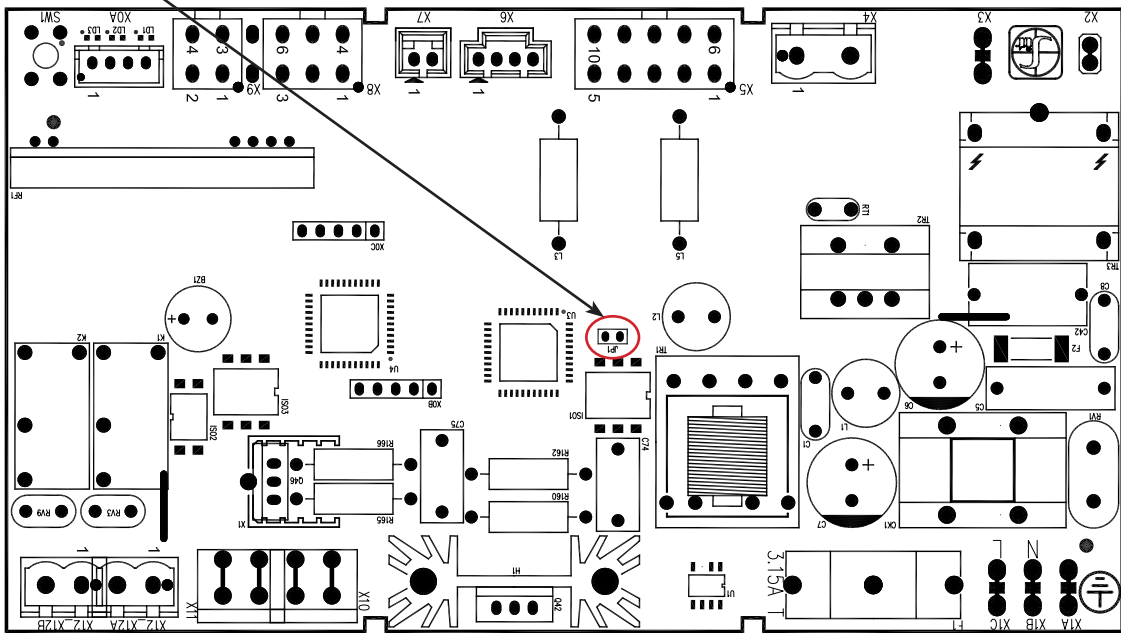
2. Using a flat head screwdriver carefully release the 4 tabs (2 per side) to remove the top cover from the control board.



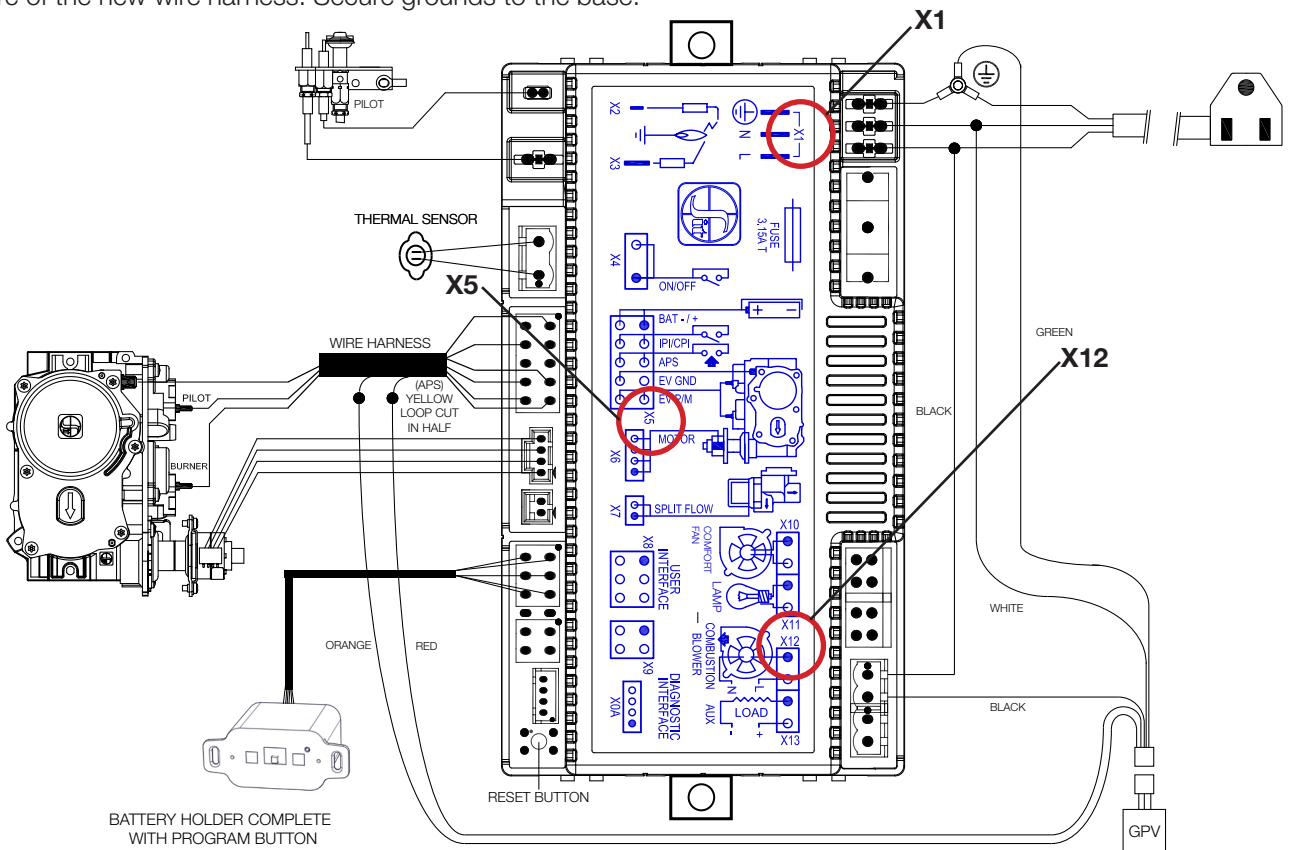
note:

It may be easier to remove the control board from the appliance.

1. Remove the jumper (JP1) from the control board. (This activates the power vent function).



2. Replace the control board cover and all wire harness connections **except** for the power cord (x1), it will be replaced with the new wire harness (provided).
3. Connect the new wire harness in locations (x1) and (x12) as shown on the top of the control board.
4. Cut the yellow wire loop (APS) located in (x5) and connect one end to the orange wire and the other end to the red wire of the new wire harness. Secure grounds to the base.



5. Connect the other end to the wire harness provided with the GPV.
6. Test your appliance by turning it on using the remote.

note:

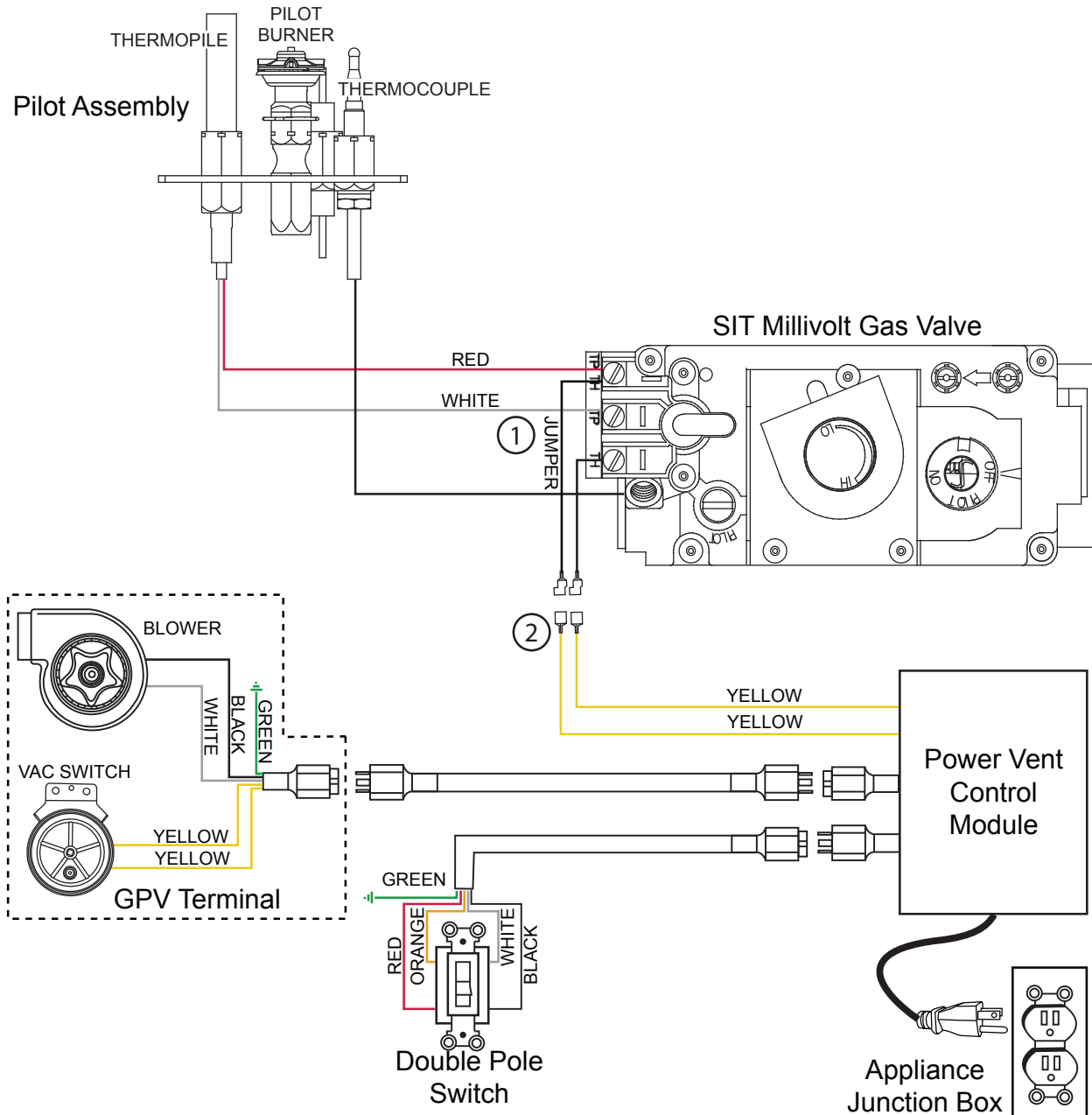
There is a 15 second pre-purge before the burner will light and a 120 second post-purge once the appliance is turned off before the blower stops.

1.8.6 SIT millivolt 820

NOTE: Must use double pole switch (supplied) with specific power vent adaptor kit.

NOTE: Downward venting is not allowed with appliances that use a standing pilot.

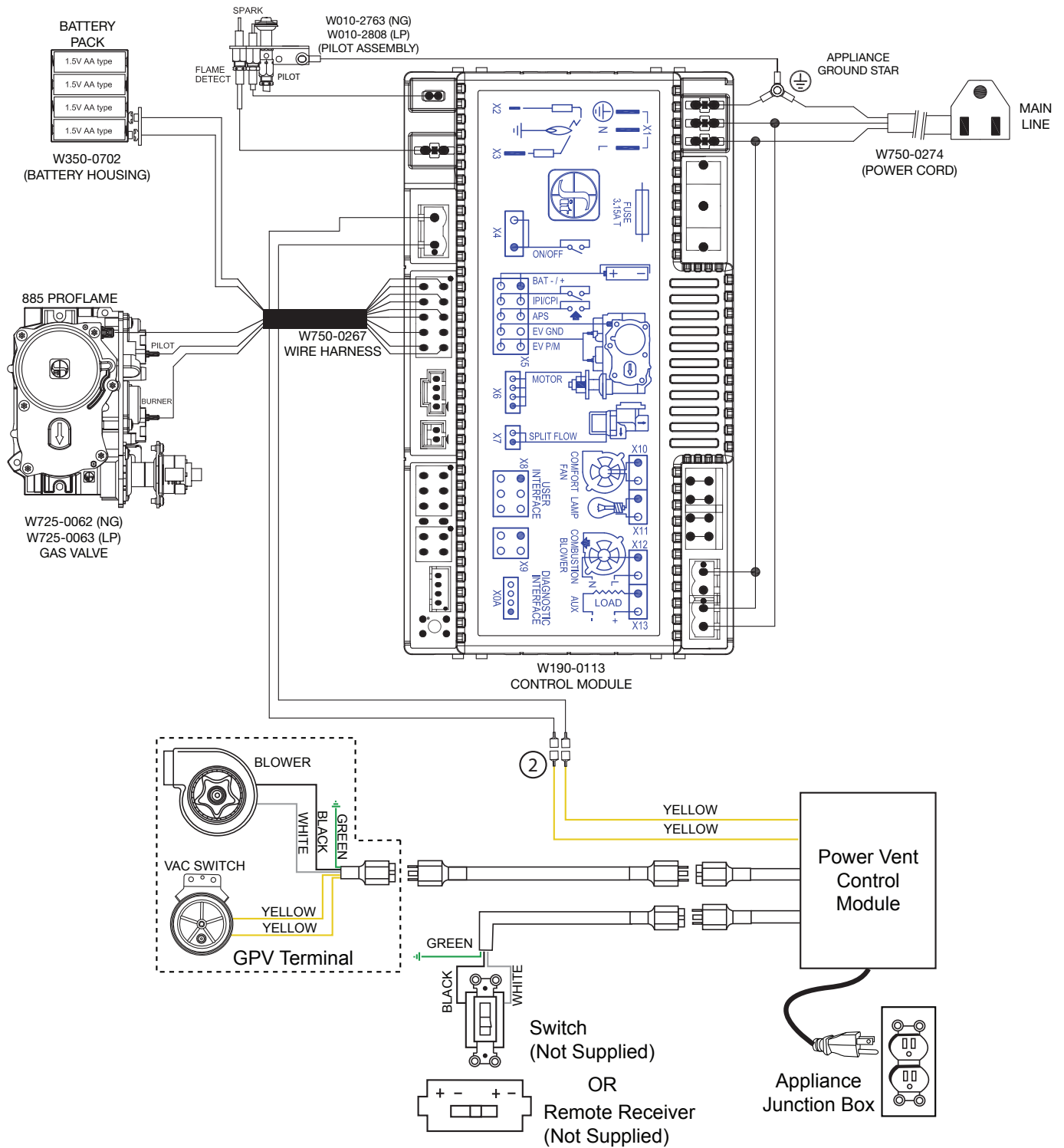
1. Connect the jumper wires to tabs TP/TH and TH on the gas valve.
2. Connect the jumper wire to the two Yellow wires from the Power vent control module.



IMPORTANT: A RECEPTACLE MAY NEED TO BE INSTALLED AS A POWER SOURCE FOR THE GPV.

1.8.7 SIT IPI Proflame 2 for single pole switch

NOTE: Downward venting is not allowed with appliances that use standing pilots.

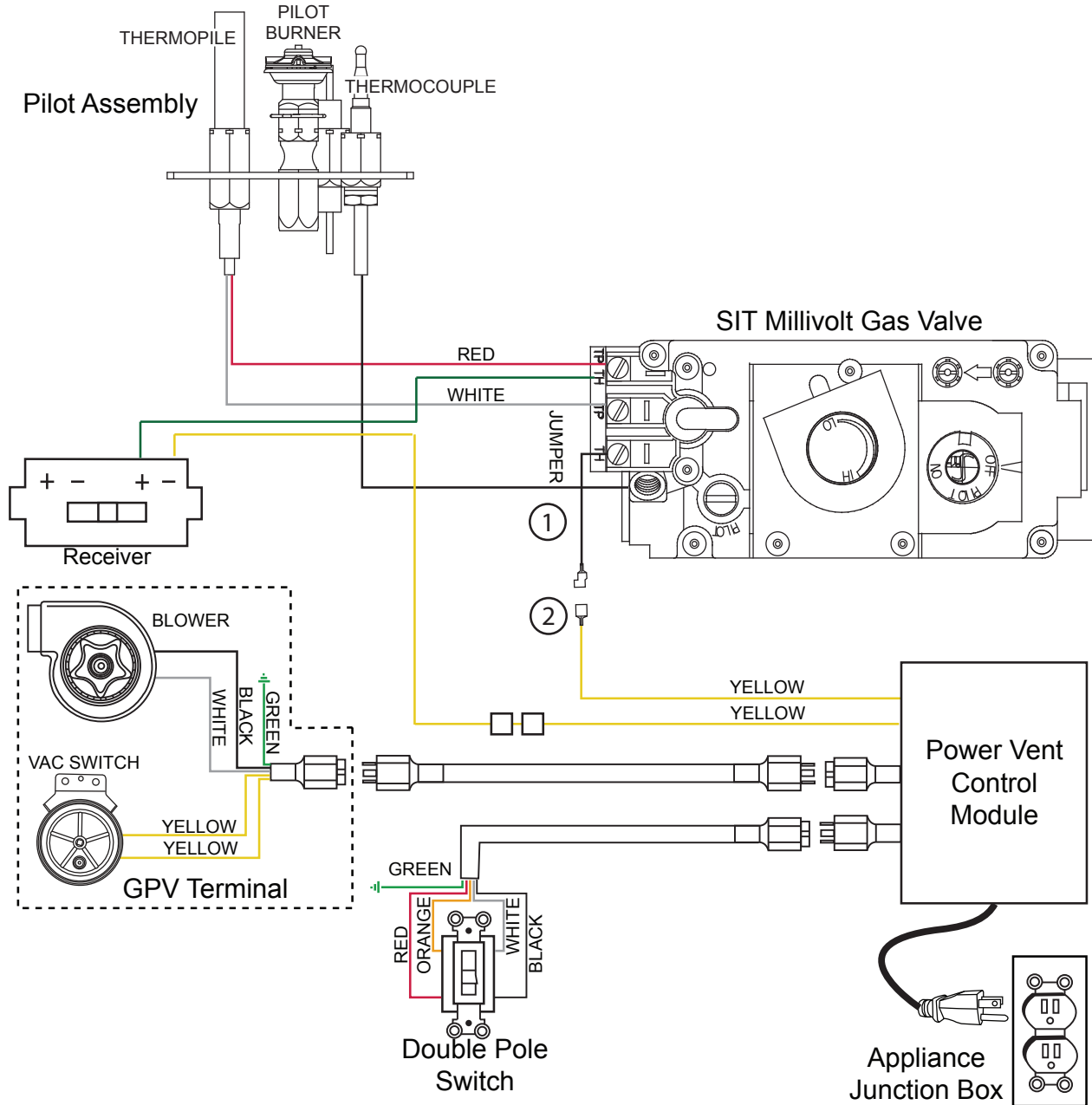


1. Connect the two yellow wires from the PVCN to the wires coming off the 'X4' MAIN ON/OFF (jumper).

1.8.8 SIT millivolt 820 Nova and equipped with optional remote control

NOTE: Must use double pole switch (supplied) with specific power vent adaptor kits.

NOTE: Downward venting is not allowed with appliances that use standing pilots.

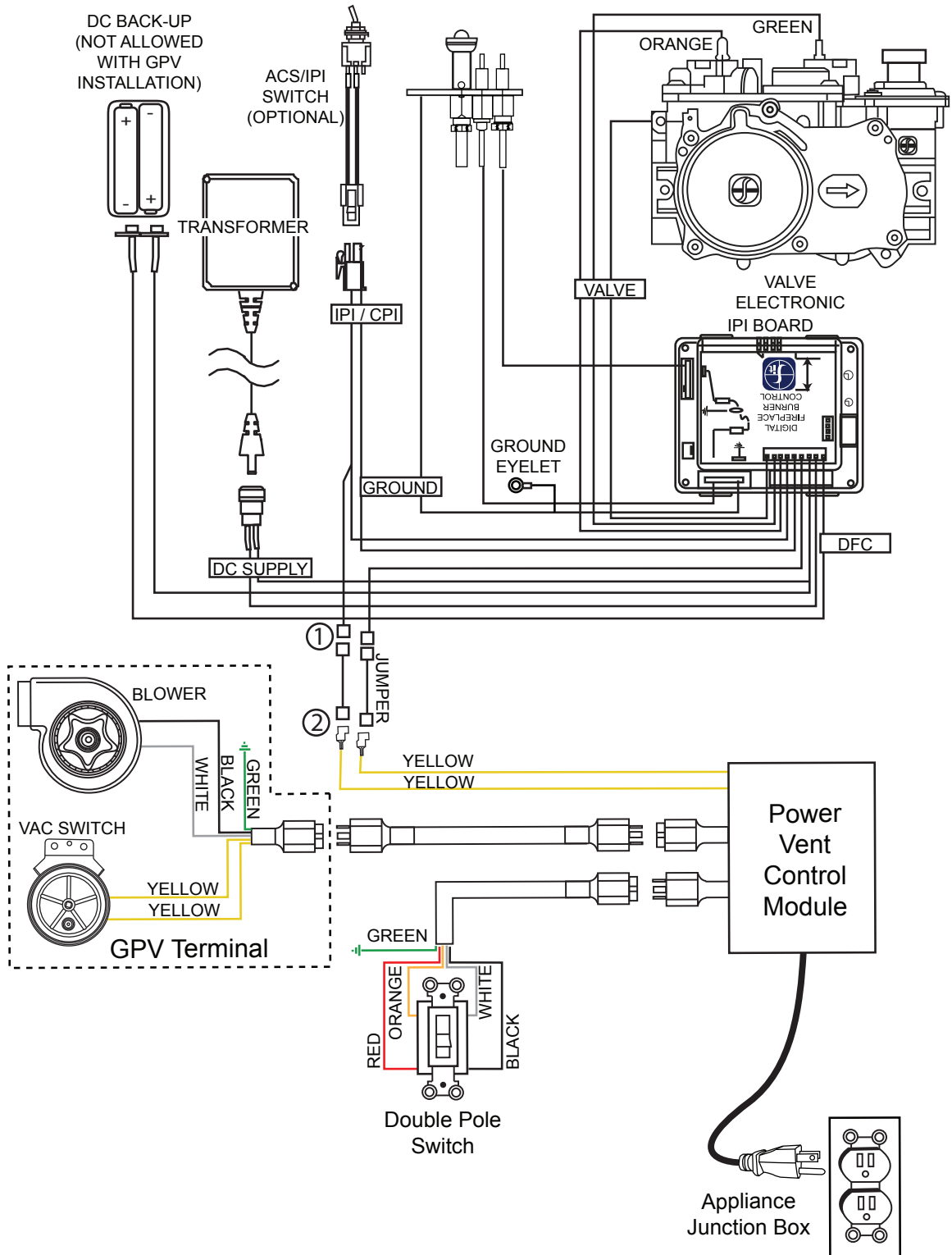


1. Disconnect one of the two wires from the receiver to the valve. Connect it to one of the yellow wires from the power vent control module.
2. Connect a jumper wire to the valve where the receiver wire was disconnected and to the other yellow wire from the power vent control module.

1.8.9 SIT IPI 880/886 Proflame

NOTE: Must use double pole switch (supplied) with specific power vent adaptor kit.

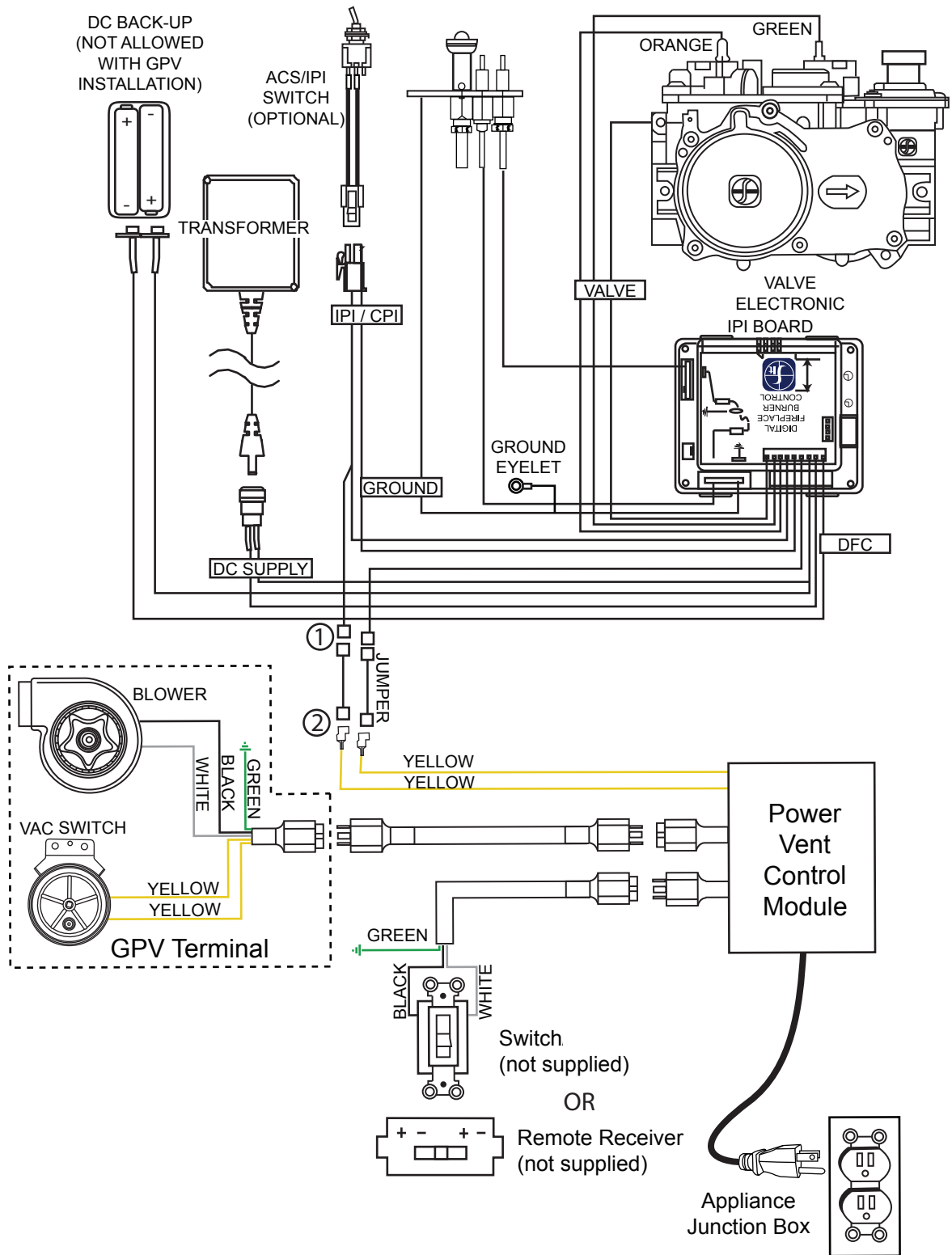
1. Connect the jumper wires to the wire labeled ON/OFF (Green/White) and the wire labelled TH (Green).
2. Connect the other end of the jumper wires to the Yellow wires from the Power vent control module.



IMPORTANT: A receptacle may need to be installed as a power source for the GPV.

1.8.10 SIT IPI 880/886 for single pole switch or optional remote control

1. Connect the jumper wires to the wire labeled ON/OFF (Green/White) and the wire labeled TH (Green).
2. Connect the other end of the jumper wires to the Yellow wires from the Power vent control module.



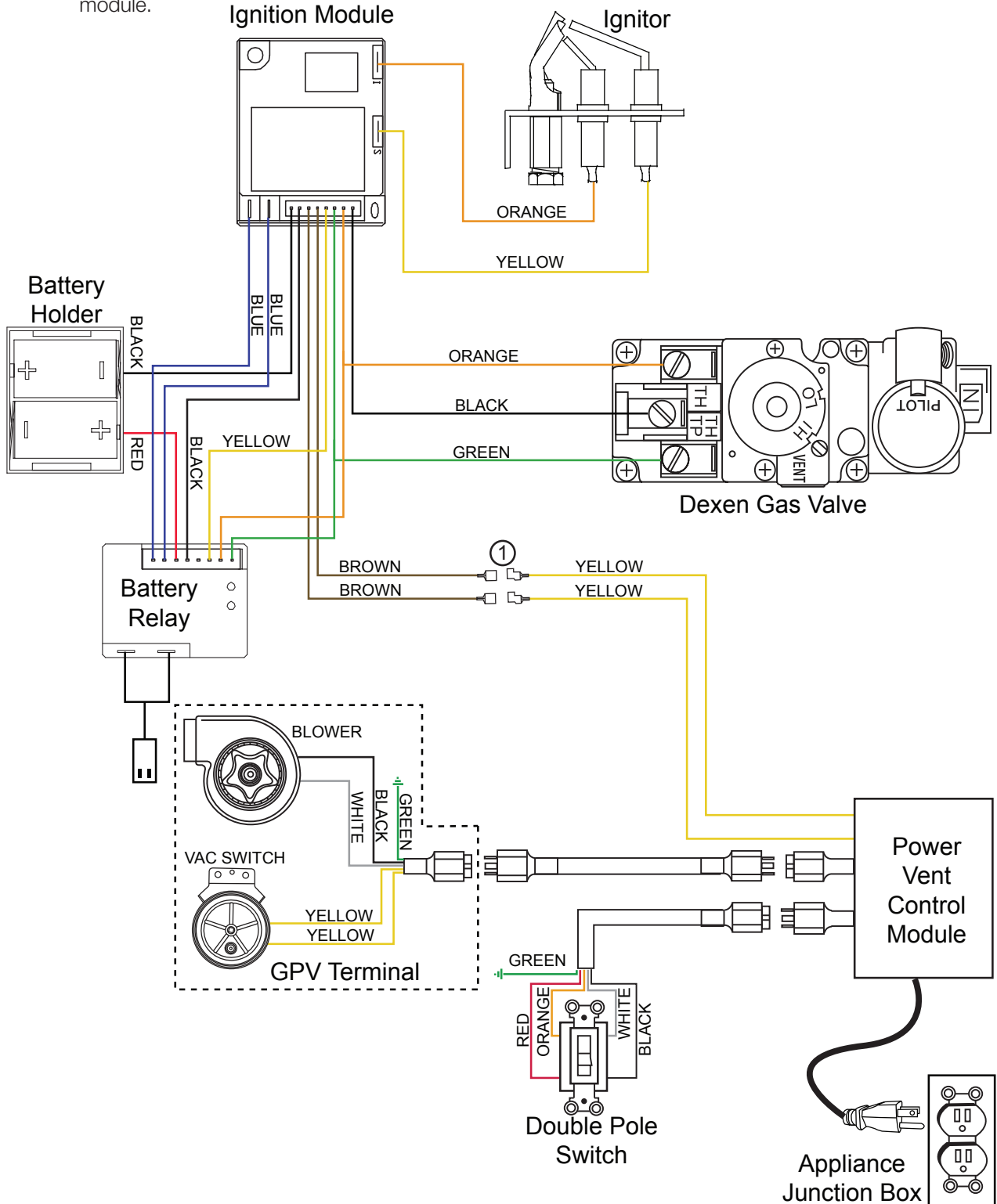
IMPORTANT: A receptacle may need to be installed as a power source for the GPV.

1.8.11 dexen IPI 6003-3V

NOTE: Must use double pole switch (supplied) with specific power vent adaptor kit.

NOTE: Downward venting is not allowed with appliances that use a standing pilot.

1. Connect the Brown wires from the Ignition module to the yellow wires from the Power vent control module.

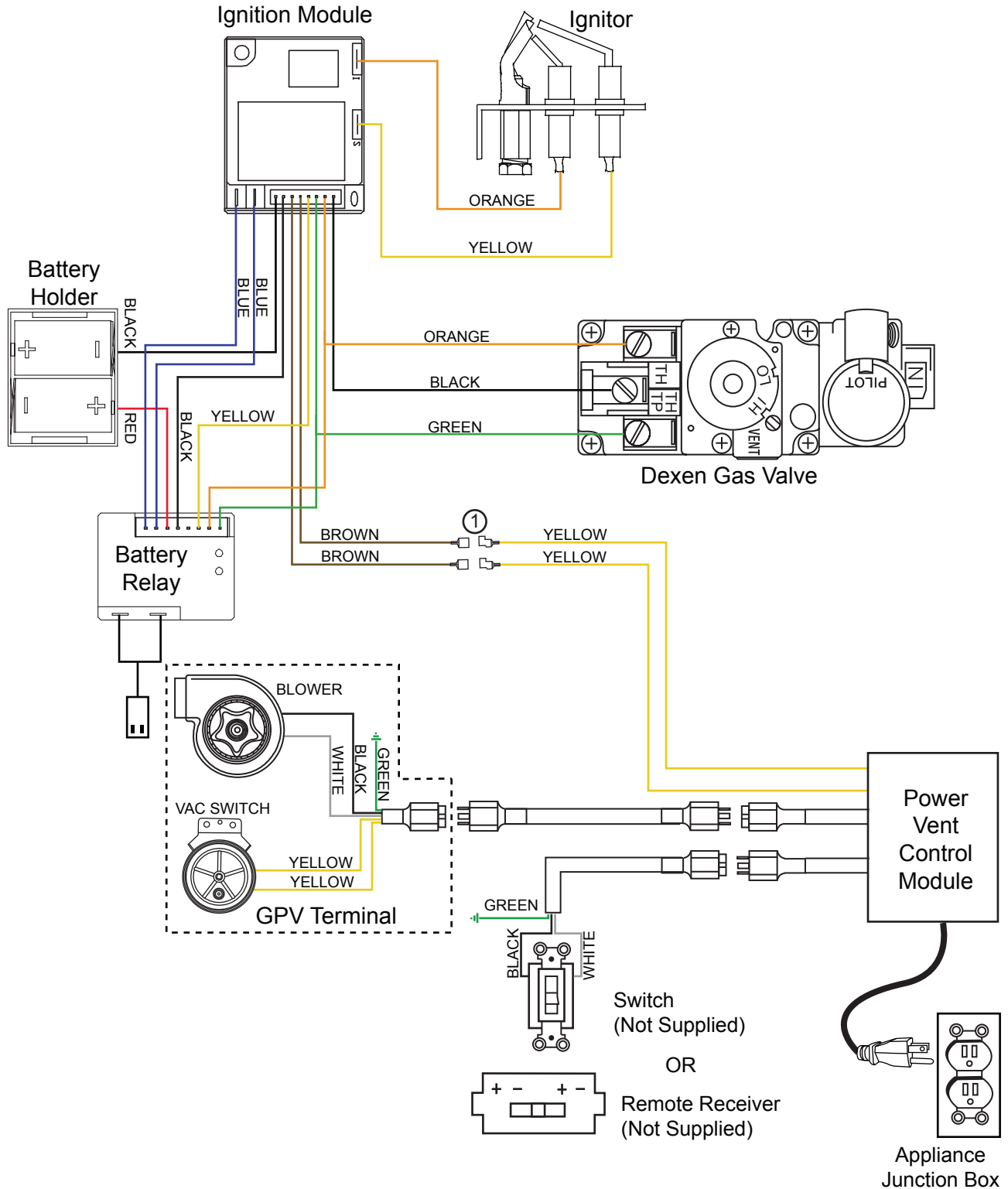


IMPORTANT: A receptacle may need to be installed as a power source for the GPV.

1.8.12 dexen IPI 6003-3V requiring a single pole switch or optional remote control

NOTE: Downward venting is not allowed with appliances that use a standing pilot.

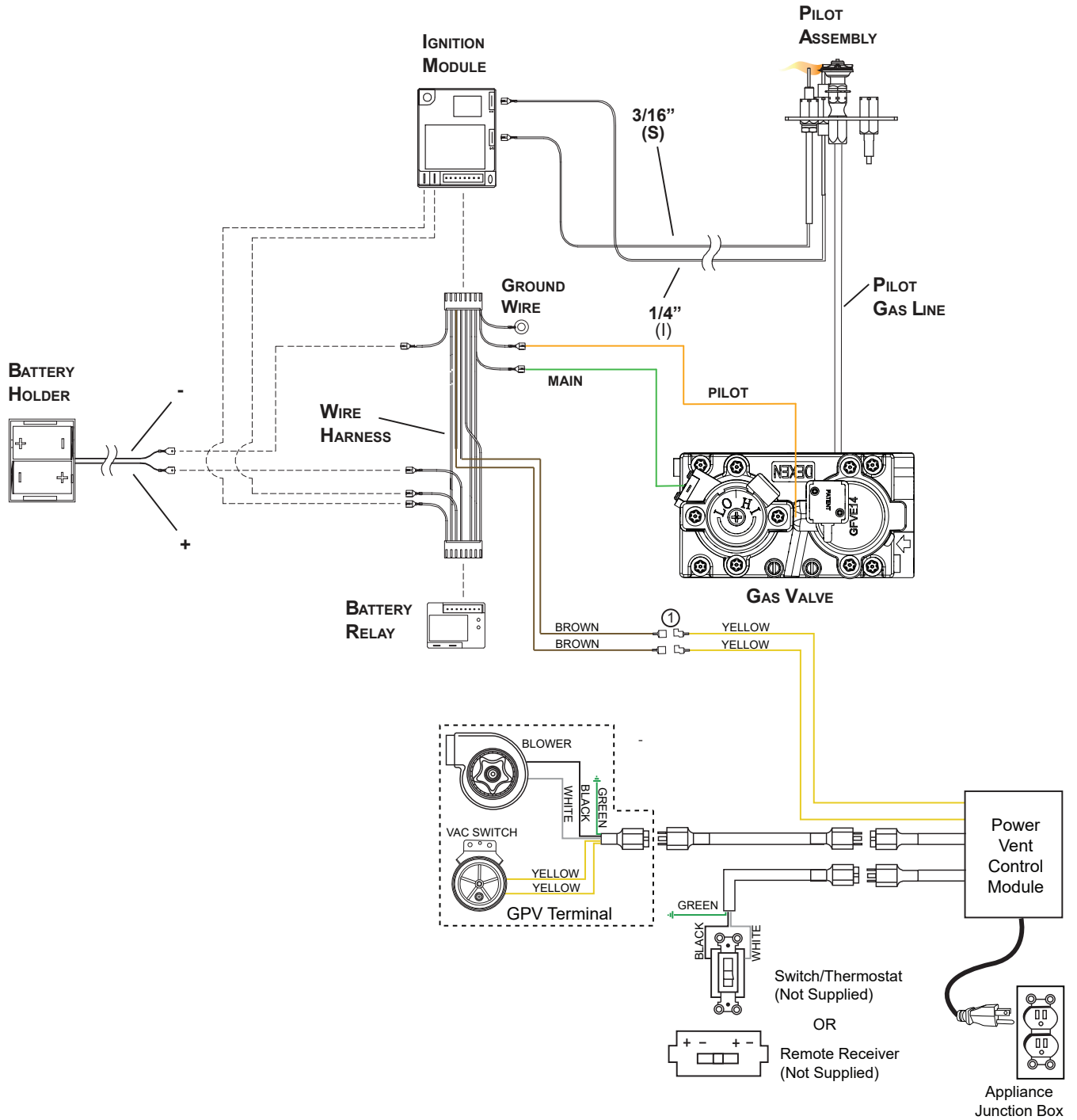
1. Connect the Brown wires from the Ignition module to the yellow wires from the Power vent control module.



1.8.13 dexen H3V requiring a single pole switch or optional remote control

NOTE: Downward venting is not allowed with appliances that use a standing pilot.

1. Connect the Brown wires from the Ignition module to the yellow wires from the Power vent control module.



2.0 adjustments

2.1 venturi adjustments

This appliance has an air shutter that has been factory set open according to the chart below:

Regardless of venturi orientation, closing the air shutter will cause a more yellow flame, but can lead to carbonization. Opening the air shutter will cause a more blue flame, but can cause flame lifting from the burner ports. The flame may not appear yellow immediately; allow 15 to 30 minutes for the final flame colour to be established.

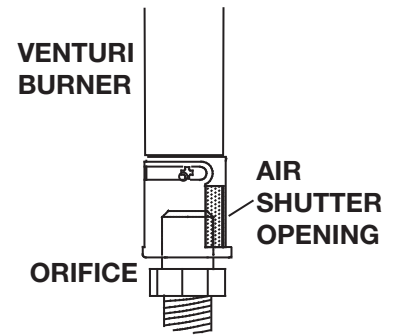
AIR SHUTTER ADJUSTMENT MUST ONLY BE DONE BY A QUALIFIED INSTALLER.

note:

It is important that the orifice is securely inserted into the venturi.

note:

Refer to your manual for the proper air shutter setting.



3.0 replacements

! WARNING

- Failure to position the parts in accordance with this manual or failure to use only parts specifically approved with this appliance may result in property damage or personal injury.

Contact your dealer for questions concerning prices and policies on replacement parts. Normally, all parts can be ordered through your Authorized dealer / distributor.

For warranty replacement parts, a photocopy of the original invoice will be required to honour the claim.

When ordering replacement parts always give the following information:

- Model & Serial Number of appliance
- Installation date of appliance
- Part number
- Description of part
- Finish

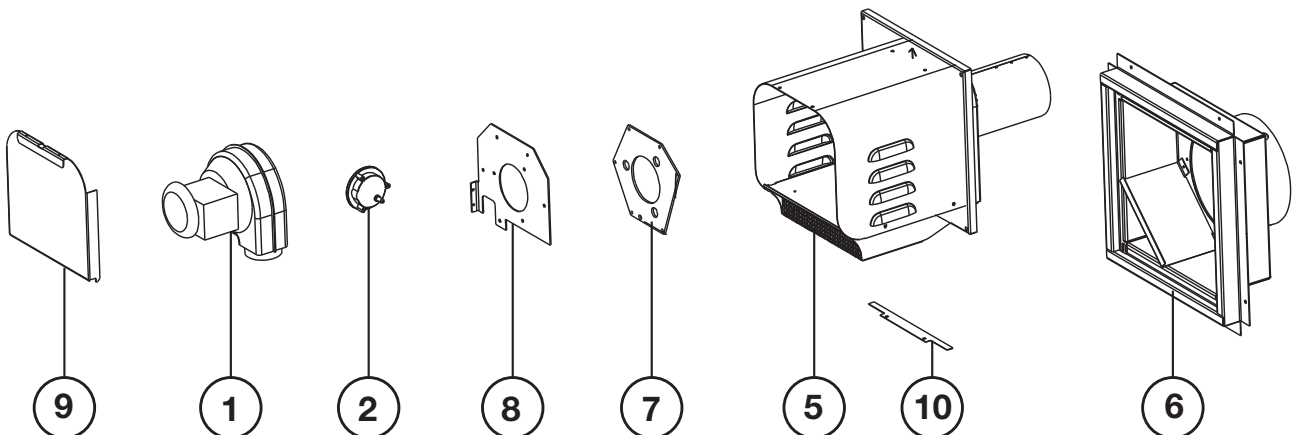
Parts, part numbers, and availability are subject to change without notice.

Parts identified as stocked will be delivered within 2 to 5 business days for most delivery destinations.

Parts not identified as stocked will be delivered within a 2 to 4 week period, for most cases.

Parts identified as 'SO' are special order and can take up to 90 days for delivery.

Ref.	Description	Part Number	Stocked
1	Blower	W062-0026	
2	Switch, vacuum	W660-0056	Yes
3*	Wire harness, terminal	W750-0195	
4*	20' (9.1m) wire harness cable	W750-0209	
5	Pewter main body	W010-1924PW	
6	Pewter frame	W010-1925PW	Yes
7	Blower Gasket	W290-0138	
8	Blower mounting plate	W500-0716	
9	Pewter access cover	W200-0256PW	
10	Dilution air plate	W500-0419	
11*	Hose	W345-0003	



4.0 troubleshooting

WARNING

- Always light the pilot whether for the first time or if the gas supply has run out, with the glass door open or removed.
- In some instances the system may not light pilot/burner with the door open/removed. Partially blocking the exhaust flue collar will allow the safety pressure switch to activate and allow gas flow to the pilot during the initial test firing.

SYMPTOM	PROBLEM	TEST SOLUTION
Main burner flame is a blue lazy transparent flame.	Leak in exhaust vent.	- Check exhaust vent pipe and all connection seals.
	Incorrect installation.	- Refer to PVA kit for appliance specific restrictor.
Carbon is being deposited on glass or combustion chamber surfaces.	Air shutter has become blocked or incorrect setting.	- Ensure air shutter opening is free of lint or other obstructions or has correct setting.
	Flame is impinging on the logs or combustion chamber.	- Check that the media is correctly positioned. - Open air shutter to increase the primary air. - Check the input rate: Check the manifold pressure and orifice size as specified by the rating plate values. - Check that the door gasket is not broken or missing and that the seal is tight. - Check that both 4" (101.6mm) and 7" (177.8mm) vent liners are free of holes and well sealed at all joints. - Check that the proper restrictor is used
White / Grey film forms.	Sulphur from fuel is being deposited on glass, logs or combustion chamber surfaces.	- Clean the glass with a gas appliance glass cleaner. DO NOT CLEAN GLASS WHEN HOT. - If deposits are not cleaned off regularly, the glass may become permanently marked.
Exhaust fumes smelled in room, headaches.	Appliance is spilling.	- Check door seal and relief flap seal. - Check that the paint curing process is complete.
Main burner will not light.	Main door is not installed.	- Install main door.
Main burner flames are very aggressive.	No restrictor.	- Add restrictor. - Remove dilution air restrictor plate on the power vent.
Main burner won't light.	Vacuum switch not activated.	- Remove blockage. In really cold conditions, ice buildup may occur on the terminal and should be removed as required. - Test vacuum switch and replace as required.

IMPORTANT: Prove all systems check before completely enclosing appliance.

WOLF STEEL ^{LTD.}

24 Napoleon Road, Barrie, Ontario, Canada L4M 0G8
103 Miller Drive, Crittenden, Kentucky, USA 41030
7200 Trans Canada Highway, Montreal, Quebec, Canada H4T 1A3

Tel: 1-866-820-8686

INSTALLATEUR: Laissez ce manuel avec l'appareil qui utilise cette terminaison.

PROPRIÉTAIRE: Conservez ce manuel pour consultation ultérieure. Ces instructions doivent être utilisées conjointement avec celles de l'appareil et les instructions du PVA.

FRANÇAIS



MANUEL D'INSTALLATION

La terminaison à évacuation mécanique GPV est conçu pour permettre l'installation d'appareils au gaz à évacuation directe à des endroits où les configurations d'évacuation typiques ne sont pas possibles.

Terminaison à Évacuation Mécanique (GPV)

INFORMATION GÉNÉRALE

Ces instructions d'installation doivent être utilisées conjointement avec celles de l'appareil et de l'adaptateur PVA approprié. Les dégagements listés dans ces instructions remplacent ceux indiqués dans les instructions d'installation de l'appareil.

En ajoutant une terminaison à évacuation mécanique à un appareil à évacuation directe, l'efficacité de l'appareil pourrait être réduite jusqu'à dix pour cent. Dans n'importe quel type d'installation, tenez compte de ceci lorsque vous choisissez un appareil et un système d'évacuation.

Choix et installation du foyer

Quand vous choisissez un appareil au gaz sur lequel sera installé une terminaison GPV, tenez compte des diverses exigences et contraintes décrites dans la section d'installation d'évacuation des modèles suivantes:

Les modèles équipés d'un allumage intermittent de la veilleuse (IPI)

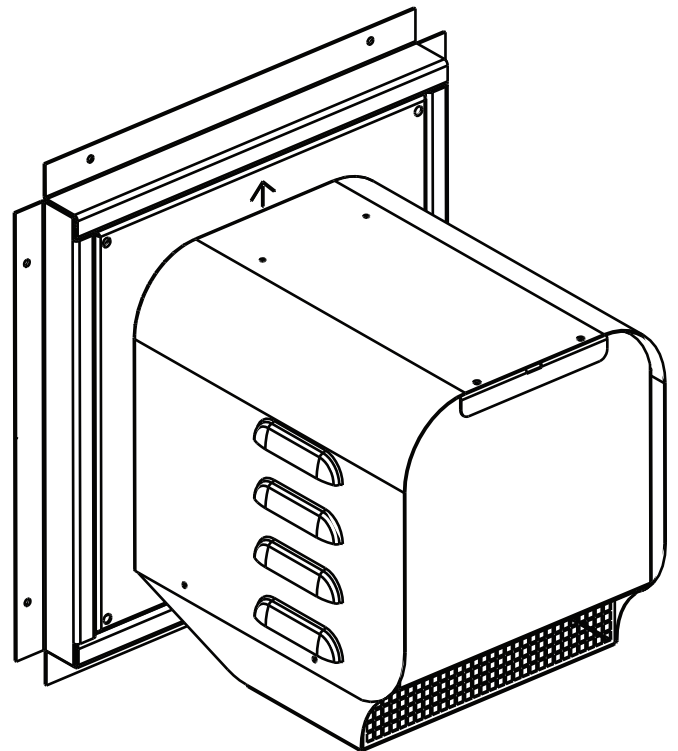
Il est conseillé d'utiliser la terminaison GPV avec un appareil au gaz muni d'un allumage intermittent de la veilleuse (IPI). Les courses d'évacuation verticales descendantes sont permises avec un système IPI. Référez-vous à la section d'évacuation dans les instructions d'installation de l'adaptateur PVA approprié.

Les modèles équipés d'une veilleuse Millivolt / permanente

Les courses d'évacuation verticales descendantes ne sont pas permises avec un système de veilleuse permanente. Référez-vous à la section d'évacuation dans les instructions d'installation de l'adaptateur PVA approprié.

L'INSTALLATION DOIT ÊTRE FAITE PAR UN INSTALLATEUR QUALIFIÉ en se conformant aux codes locaux. En l'absence de codes locaux, l'installation doit être conforme au code National du bâtiment dans sa version pour le Canada ou aux codes du bâtiment régionaux pour les États-Unis. L'installation doit être raccordée électriquement et mise à la terre conformément aux codes locaux. En l'absence de codes locaux, utilisez la version courante du Code Canadien de l'électricité CSA C22.1 au Canada ou le National Electrical Code ANSI/NFPA 70 aux États-Unis.

La terminaison GPV fonctionne à partir d'une alimentation électrique de 120 VAC 60 Hz qui est fournie par la boîte de dérivation de l'appareil.



**CERTIFIÉ SELON LES NORMES NATIONALES
CANADIENNES ET AMÉRICAINES:
CSA 2.22 ET ANSI Z21.50
POUR LES APPAREILS À GAZ DÉCORATIF À ÉVACUATION
CSA 2.33 ET ANSI Z21.88
POUR FOYER AU GAZ À ÉVACUATION**



Wolf Steel Ltd., 24 Napoleon Rd., Barrie, ON, L4M 0G8 Canada / 103 Miller Drive, Crittenden, Kentucky, USA, 41030
Phone 1 (866) 820-8686 • www.napoleon.com • hearth@napoleon.com

table des matières

1.0	évacuation	30
1.1	vue d'ensemble d'installation	31
1.2	dégagements de la terminaison à évacuation mécanique	32
1.3	longueurs des conduits d'événements	33
1.4	terminaison évacuation mécanique	33
1.4.1	installation de la terminaison	33
1.5	installation de l'évacuation et de l'espaceur coupe-feu	34
1.6	ajout de longueur d'événement	34
1.6.1	installation des conduits d'événement et de la terminaison	35
1.6.2	procédures pour la première utilisation	35
1.6.3	branchement électrique	36
1.6.4	branchement par câble	36
1.6.5	schéma de câblage	36
1.6.6	installation du boîtier électrique	37
1.7	installation de la plaque de restriction	37
1.8	schéma de câblage et installation	37
1.8.1	soupape SIT IPI PF0 880/886 avec un interrupteur unipolaire ou télécommande	38
1.8.2	SIT IPI 885 Proflame 1 équipé avec une télécommande	39
1.8.3	SIT IPI 885 Proflame 1 non équipé avec une télécommande	40
1.8.4	SIT IPI Proflame 2 système de contrôle	41
1.8.5	SIT IPI Proflame 2 système de contrôle (pour utilisation avec PVALX3 / PVALX5)	42
1.8.6	soupape millivolt SIT 820	44
1.8.7	SIT IPI Proflame 2 avec un interrupteur unipolaire	45
1.8.8	soupape millivolt SIT 820 Nova fourni avec une télécommande optionnel	46
1.8.9	SIT IPI 880/886 Proflame	47
1.8.10	soupape SIT IPI 880/886 avec un interrupteur unipolaire ou télécommande optionnel	48
1.8.11	soupape dexten IPI 6003-3V	49
1.8.12	soupape dexten IPI 6003-3V nécessitant un interrupteur unipolaire ou télécommande optionnel	50
1.8.13	soupape dexten H3V nécessitant un interrupteur unipolaire ou télécommande optionnel	51
2.0	réglages	52
2.1	réglage du venturi	52
3.0	rechanges	53
4.0	guide de dépannage	54

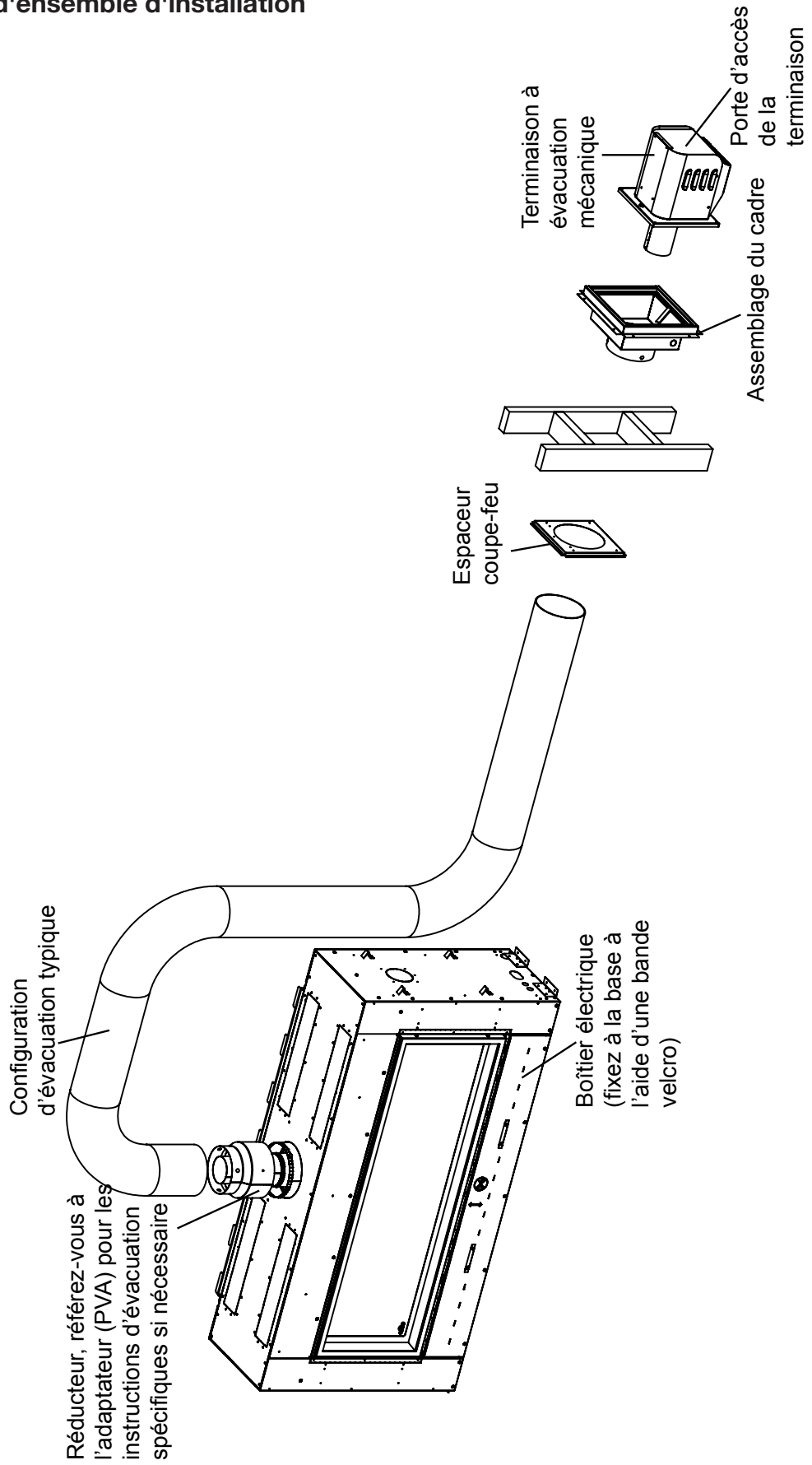
NOTE: Les modifications, autres qu'éditoriales, sont indiquées par une ligne verticale dans la marge.

1.0 évacuation

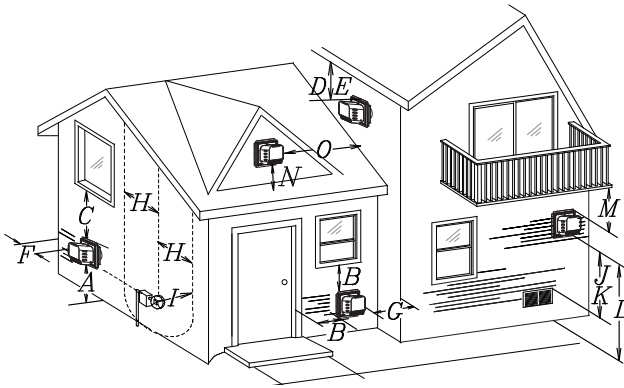
Les adaptateurs et les contraintes d'évacuations sont spécifiques à chaque appareil, référez-vous au feuillet de la terminaison mécanique pour plus d'information.

Pour les instructions d'installation complètes, consultez le site web du fabricant de votre appareil.

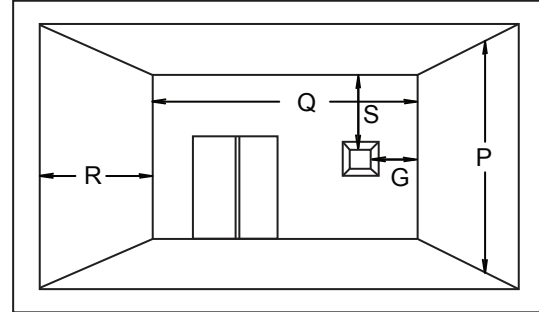
1.1 vue d'ensemble d'installation



1.2 dégagements de la terminaison à évacuation mécanique



APPLICATIONS POUR BALCON COUVERT ††*



$$Q_{\text{MIN}} = 3 \text{ pieds (0,9m)} \quad R_{\text{MAX}} = 2 \times Q_{\text{RÉELLE}} \quad R_{\text{MAX}} \leq 15 \text{ pieds (4,6m)}$$

INSTALLATION			
CANADA	É.-U.		
A	12" (304.8mm)	12" (304.8mm)	Dégagement au-dessus du sol, d'une véranda, d'une terrasse en bois ou d'un balcon.
B	12" (304.8mm) ^Δ	9" (228.6mm) ^Δ	Dégagement des fenêtres ou des portes qui ouvrent.
C	12" (304.8mm)*	12" (304.8mm)*	Dégagement des fenêtres fermées en permanence.
D	18" (457.2mm)**	18" (457.2mm)**	Dégagement vertical d'un soffite ventilé situé au-dessus de la terminaison si la distance horizontale est de moins de 2' (0.6m) de la ligne médiane de la terminaison.
E	12" (304.8mm)**	12" (304.8mm)**	Dégagement d'un soffite non ventilé.
F	0" (0mm)	0" (0mm)	Dégagement des murs faisant coin extérieur.
G	0" (0mm)	0" (0mm)	Dégagement des murs extérieurs incombustibles faisant coin intérieur ou aux obstructions incombustibles (cheminée, etc.).
	2" (50.8mm)	2" (50.8mm)	Dégagement des murs extérieurs combustibles faisant coin intérieur ou aux obstructions combustibles (habillage extérieur, etc.).
H	3' (0.9m)	3' (0.9m)***	Dégagement horizontal de chaque côté depuis la ligne verticale tirée du centre d'un ensemble de régulateur/compteur pour une distance verticale maximale de 15' (4.6m).
I	3' (0.9m)	3' (0.9m)***	Dégagement de l'évent du régulateur
J	12" (304.8mm)	9" (228.6mm)	Dégagement d'une prise d'air de ventilation non mécanique de la maison ou d'une prise d'air de combustion de tout autre appareil.
K	6' (1.8m)	3' (0.9m)	Dégagement d'une prise d'air mécanique.
L	7' (2.1m) ‡	7' (2.1m)***	Dégagement au-dessus d'un trottoir ou d'une entrée pavée situés sur une propriété publique.
M	12" (304.8mm)††	12" (304.8mm)***	Dégagement sous une véranda ou une terrasse en bois.
N	12" (304.8mm)	12" (304.8mm)	Dégagement au-dessus du toit.
O	2' (0.6m) †*	2' (0.6m) †*	Dégagement des murs adjacents, incluant les maisons voisines.
P	8' (2.4m)	8' (2.4m)	Le toit doit être incombustible et sans ouvertures.
Q	3' (0.9m)	3' (0.9m)	Voir le tableau pour les dimensions d'un mur plus large
R	6' (1.8m)	6' (1.8m)	Voir le tableau pour les dimensions d'un mur plus profond. La terminaison ne doit pas être installée sur quelconque mur ayant une ouverture entre la terminaison et le côté ouvert de la structure.
S	12" (304.8mm)	12" (304.8mm)	Dégagement sous un balcon couvert.

Δ Pour les structures comportant trois murs et un toit, la terminaison doit être située à plus de 6 pieds (1.8m) sous une fenêtre s'ouvrant sur un plan horizontal.

* Recommandé afin de prévenir la formation de buée dans les fenêtres et les cassures thermiques.

** Il est recommandé d'utiliser un protecteur de chaleur et de maximiser la distance au soffite de plastique.

*** Ceci est une distance recommandée. Vérifiez les codes locaux pour connaître les contraintes additionnelles.

‡ Une terminaison d'évacuation ne doit pas être installée à un endroit où elle pourrait causer une formation dangereuse de givre ou de glace sur les surfaces d'une propriété adjacente.

†† Permis seulement si la véranda ou la terrasse en bois sont complètement ouverts sur un minimum de deux côtés sous le plancher.

†* Recommandé afin d'éviter la recirculation des produits d'échappement. Vérifiez les codes locaux pour connaître les contraintes additionnelles.

††* Permis seulement si le balcon est complètement ouvert sur au moins un côté.

1.3 longueurs des conduits d'évents

RÉFÉREZ-VOUS À L'ADAPTATEUR PVA POUR LES INSTRUCTIONS D'ÉVACUATION SPÉCIFIQUES.

NOTE: Si équipé, l'interrupteur anticondensation (ACS) doit être désactivé dans le cas d'un système à évacuation descendante. Les systèmes à évacuation descendante ne sont pas permis avec des appareils qui utilisent une veilleuse permanente.

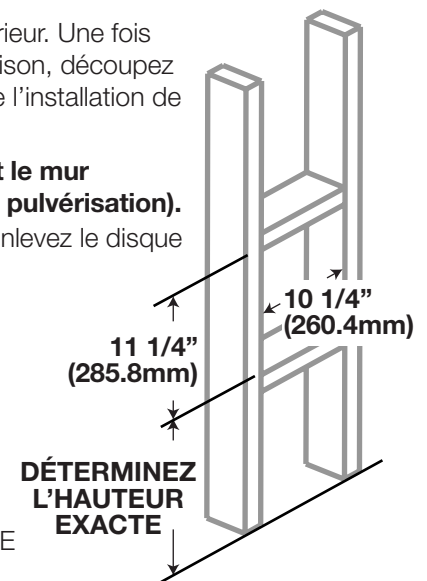
1.4 terminaison évacuation mécanique

1.4.1 installation de la terminaison

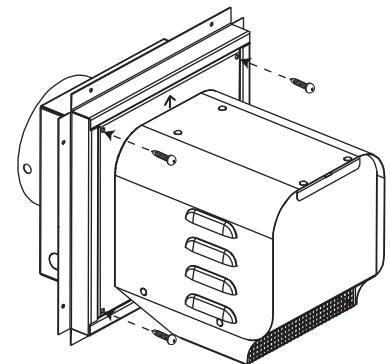
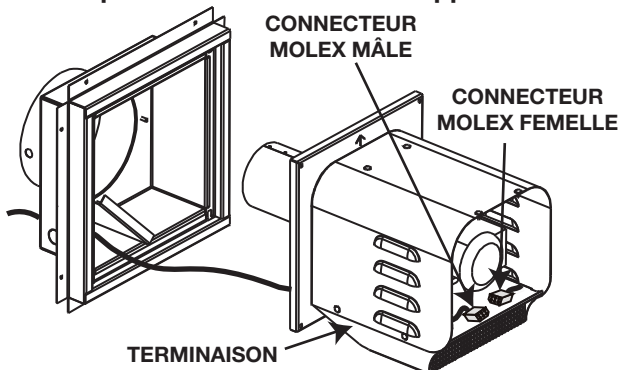
Cette configuration s'applique lorsque le conduit d'évent traverse un mur extérieur. Une fois que vous aurez déterminé la hauteur exacte pour l'emplacement de la terminaison, découpez et charpentez une ouverture dans le mur extérieur tel qu'illustré pour permettre l'installation de la terminaison GPV.

REMARQUE: Ne remplir pas l'espace d'air entre l'espaceur coupe-feu et le mur extérieur avec n'importe quel type de matériaux isolant (e.x., mousse de pulvérisation).

- A. Enlevez la plaque d'accès électrique de l'assemblage du cadre. Ensuite, enlevez le disque poinçonné de la plaque.
- B. Insérez le filage à travers la plaque d'accès électrique et engagez la bague du conduit. Réinstallez la plaque. **REMARQUE:** La terminaison GPV comprend un harnais de fils d'une longueur 20 pieds (6.1m). Si le harnais n'est pas assez long pour atteindre l'appareil, vous pouvez le couper et ajouter une jonction de fils. Ces connexions doivent être conformes aux codes locaux. En l'absence de codes locaux, utilisez la version courante du Code canadien de l'électricité CSA C22.1 au Canada ou le National Electrical Code ANSI /NFPA 70 aux États-Unis.
- C. Enlevez la plaque d'accès de la terminaison, référez-vous à la section «VUE D'ENSEMBLE DE L'INSTALLATION» pour l'emplacement, et passez le câble à travers la terminaison.
- D. Insérez la terminaison mécanique dans l'assemblage du cadre.
- E. Raccordez les connecteurs mâle et femelle.
- F. Réinstallez la plaque d'accès de la terminaison.



REMARQUE: Si possible, nous vous conseillons fortement d'avoir un panneau d'accès à l'intérieur du bâtiment pour faire l'entretien de l'appareil.



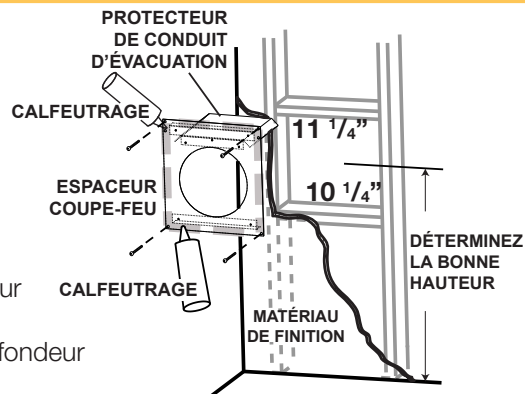
1.5 installation de l'évacuation et de l'espaceur coupe-feu

⚠ AVERTISSEMENT

- L'espaceur coupe-feu doit être installé avec l'écran de protection orienté vers le haut.
- Ne remplissez pas l'espace entre le conduit d'évent et le manchon de l'espaceur coupe-feu avec aucun type de matériau.
- Les terminaisons doivent pas être enchaîssées dans le mur ou le revêtement extérieur plus que l'épaisseur de la bride de la plaque de montage.

Cette configuration s'applique lorsque le conduit d'évent traverse un mur extérieur. Une fois que vous aurez déterminé la hauteur exacte pour l'emplacement de la terminaison, découpez et charpentez une ouverture dans le mur extérieur tel qu'illustré pour permettre l'installation de l'espaceur coupe-feu. Avant de continuer, placez l'espaceur coupe-feu dans l'ouverture pour vous assurer que les supports sur la surface arrière soient placés à l'intérieur de la pièce de charpente horizontale.

Le protecteur de conduit d'évacuation peut être coupé plus court pour les murs combustibles dont l'épaisseur est moins de 8 1/2" mais le protecteur de conduit d'évacuation doit se prolonger sur toute la profondeur du mur combustible.

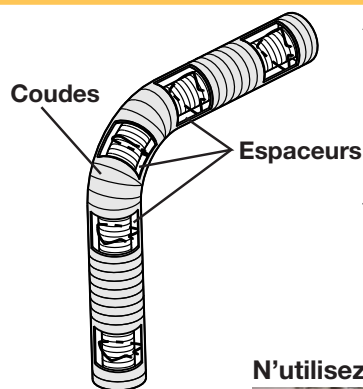


A. Appliquez un joint de calfeutrage (non fourni) tout autour de la bordure de la face intérieure de l'espaceur, installez l'espaceur dans le trou et fixez à l'aide des quatre vis W570-0026 (fournies dans le sac de votre manuel).

B. Une fois que le conduit d'évent est en place, appliquez du scellant à haute température W573-0007 (non fourni) entre le conduit d'évent et l'espaceur coupe-feu.

⚠ AVERTISSEMENT

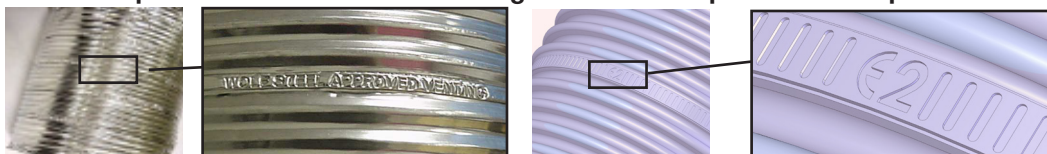
- Ne laissez pas la gaine flexible se tasser contre les courses horizontales ou verticales et les coudes. Gardez-la tendue.
- Des espaceurs sont fixés à la gaine flexible à intervalles prédéterminés afin de garder un espace vide avec le conduit extérieur. Pour que le fonctionnement soit sécuritaire, un espace vide est requis. Un espaceur est requis au début, au milieu et à la fin de chaque coude afin de maintenir cet espace vide. N'enlevez pas ces espaceurs.



Afin d'assurer une opération sécuritaire et adéquate de l'appareil, vous devez observer les instructions d'évacuation à la lettre.

Le système d'évacuation doit être soutenu à peu près tous les 3 pieds (0,9m) de courses verticales et horizontales. Utilisez l'ensemble de support mural Wolf Steel ou des supports incombustibles équivalents afin de conserver le dégagement minimal aux matériaux combustibles pour les courses verticales et horizontales. Tous les joints des conduits intérieurs et extérieurs peuvent être scellés avec du scellant de silicone rouge à haute température W573-0002 (non fourni) ou du scellant noir à haute température Mill Pac W573-0007 (non fourni) à l'exception du raccordement du conduit d'évacuation à la buse de l'appareil qui doit être scellé avec le scellant Mill Pac.

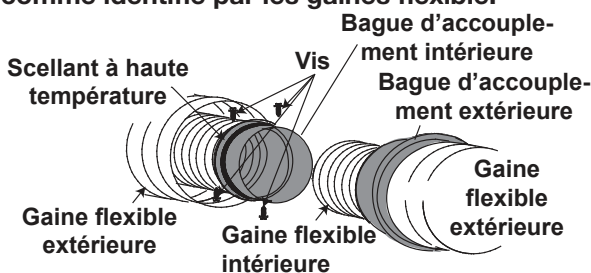
N'utilisez que les ensembles certifiés de gaines flexibles portant l'inscription:



« Wolf Steel Approved Venting » « E2 » comme identifié par les gaines flexibles.

1.6 ajout de longueur d'évent

Si plus de sections de gaine doivent être utilisées pour atteindre le foyer, raccordez-les ensemble tel qu'illustré. Les courses horizontales et verticales du système d'évacuation doivent être supportées à chaque 3 pieds approximativement. Utilisez des supports incombustibles afin de maintenir le dégagement minimal aux matériaux combustibles.

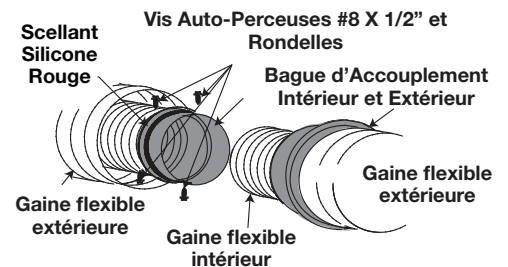
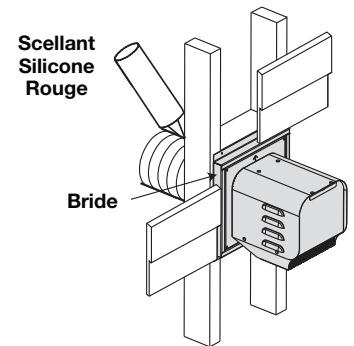
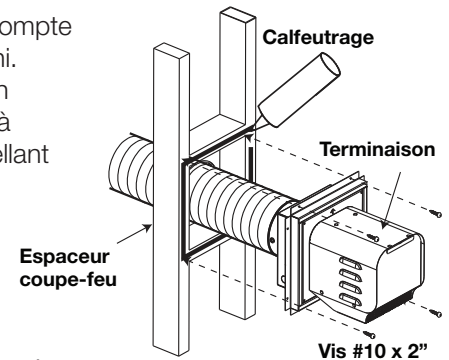


1.6.1 installation des conduits d'évent et de la terminaison

- A.** Étirez la gaine flexible intérieure à la longueur requise en tenant compte de la longueur additionnelle nécessaire pour la surface du mur fini. Glissez la gaine flexible sur le manchon intérieur de la terminaison en assurant un chevauchement minimal de 3" (76.2mm) et fixez à l'aide d'au moins trois vis #8. Appliquez un généreux joint de scellant silicone rouge (W573-0002) (non fourni).
- B.** Installez la gaine flexible extérieure en la glissant sur le manchon extérieur de la terminaison et fixez à l'aide d'au moins trois vis #8. Scellez avec du scellant silicone rouge (W573-0002) (non fourni).
- C.** Appliquez un joint de calfeutrage (non fourni) à l'ouverture charpentée et fixez la terminaison. Assurez-vous que les flèches estampillées sur l'assemblage du cadre pointent vers le haut.

NOTE : Pour les instructions d'installation de l'espaceur coupe-feu, référez-vous à l'ensemble PVA ou au manuel d'installation de l'appareil.

- D.** Faites passer les conduits d'évent à travers l'ouverture charpentée et l'espaceur coupe-feu jusqu'à l'appareil.
- E.** La plaque de montage de la terminaison peut-être enchâssée dans le mur ou le revêtement extérieur jusqu'à l'épaisseur de la bride.
- F.** Si plus de sections de gaine doivent être utilisées pour atteindre l'appareil, raccordez-les ensemble tel qu'illustré. Les courses horizontales et verticales du système d'évent doivent être supportées à chaque 3 pieds (0.9m) approx. Utilisez des supports incombustibles afin de maintenir le dégagement minimal aux matériaux combustibles.
- G.** Installez le réducteur (si nécessaire) ou les conduits d'évent à l'appareil et scellez et fixez adéquatement utilisant le scellant à haute température Mill Pac W573-0007 (non fourni).



1.6.2 procédures pour la première utilisation

⚠ AVERTISSEMENT

- Allumez toujours la veilleuse, que ce soit pour la première fois ou lorsque l'approvisionnement en gaz est épuisé, avec la porte vitrée ouverte ou retirée. Les conduites de gaz doivent être purgées par un technicien de service qualifié. Assurez-vous que l'arrivée de gaz au brûleur est continue avant de fermer la porte. Assurez-vous que la circulation est adéquate.

Dans certains cas, le système n'allumera pas la veilleuse si la porte est ouverte/retirée. En bloquant partiellement la buse, l'interrupteur de pression s'activera et permettra un apport de gaz à la veilleuse lors de la première utilisation.

1.6.3 branchement électrique

! AVERTISSEMENT

- N'utilisez pas cet appareil si une partie quelconque a été submergée. Contactez immédiatement un technicien de service qualifié pour inspecter l'appareil pour des dommages au circuit électrique.
- Risque de chocs électriques ou d'explosion. Ne branchez pas le 110 V à la soupape ou à l'interrupteur mural de l'appareil. Un branchement électrique incorrecte endommagera les contrôles.
- Cet appareil doit être raccordé électriquement par un électricien qualifié conformément aux codes locaux. En l'absence de codes locaux, utilisez la version courante du Code Canadien de l'Électricité CSA22.1 ou le National Electrical Code ANSI/NFPA NO. 70 aux États-Unis.
- Allumez toujours la veilleuse, que ce soit pour la première fois ou lorsque l'approvisionnement en gaz est épuisé, avec la porte vitrée ouverte ou retirée.

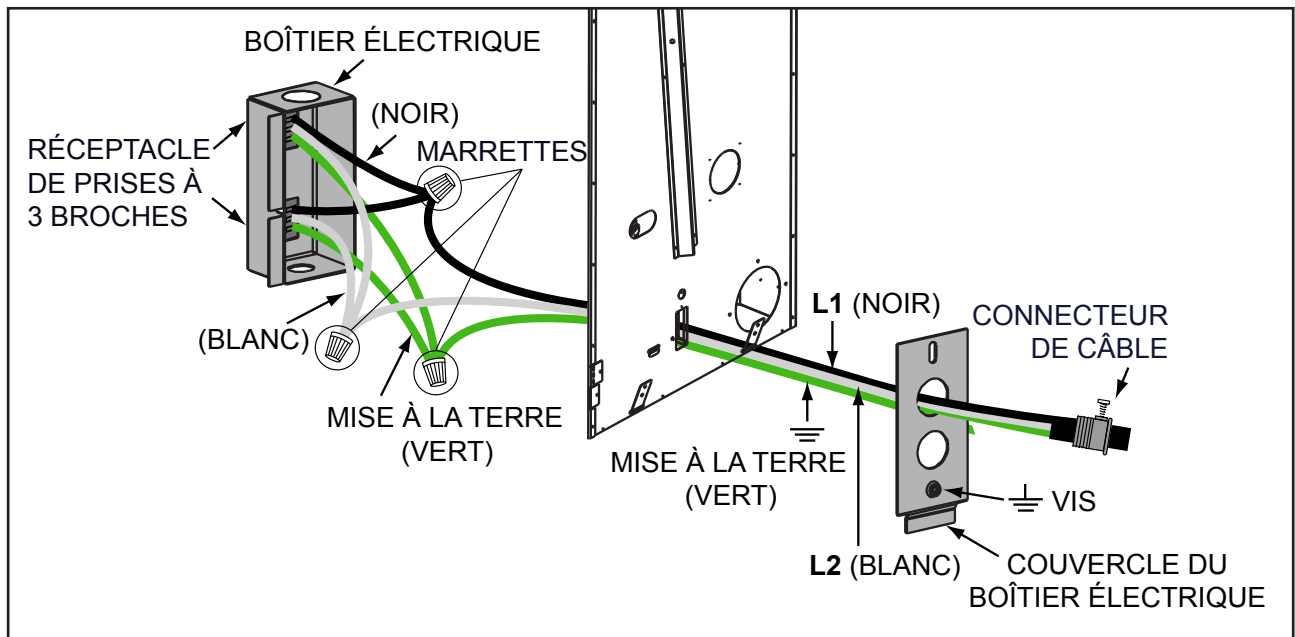
1.6.4 branchement par câble

Vous devez effectuer un branchement par câble avec cet appareil.

Une charpente permanente servant à encastrer l'appareil nécessite un branchement par câble de la boîte de dérivation de l'appareil.

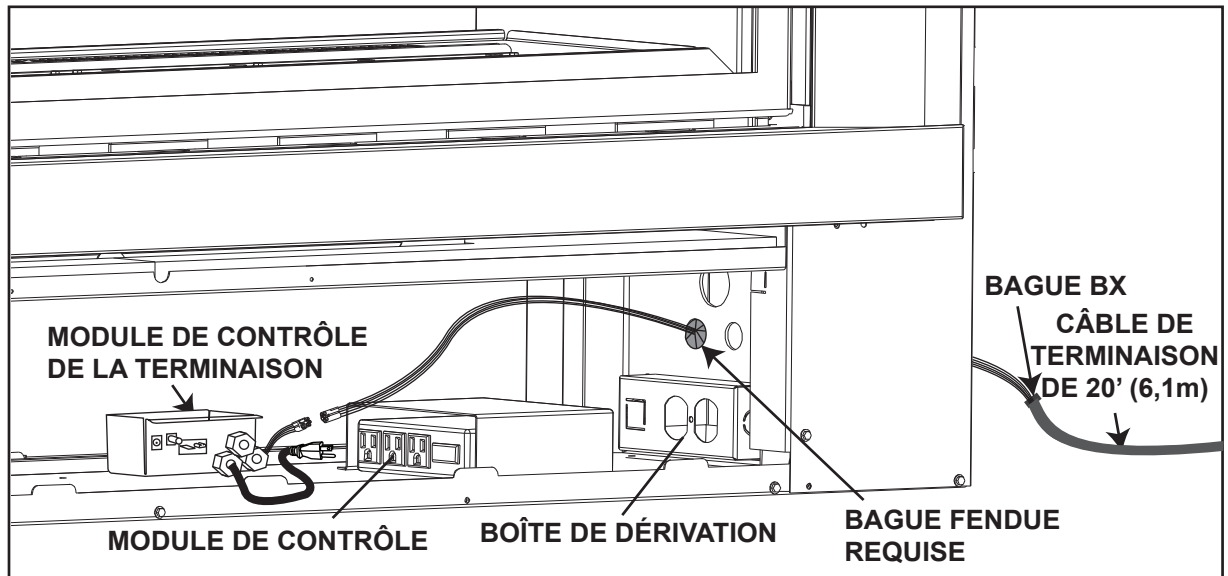
Cet appareil doit être raccordé électriquement et mis à la terre conformément aux codes locaux. En l'absence de codes locaux, utilisez la version courante du Code canadien de l'électricité CSA C22.1 au Canada ou le National Electrical Code ANSI / NFPA 70-1996 aux États-Unis.

1.6.5 schéma de câblage



1.6.6 installation du boîtier électrique

NOTE: La terminaison à évacuation mécanique doit être installée avant de terminer l'installation de l'appareil.



- A. Commencez par enlever le panneau d'accès de pré-installation ou par ouvrir les persiennes inférieures.
- B. Positionnez le module de contrôle de la terminaison dans un endroit pratique (ne le placez pas sur le dessus du protecteur de chaleur pour LHD50) et attachez-le à la base de l'appareil à l'aide d'une bande velcro.
- C. Glissez la câble de la terminaison de 20 pieds (6,1m) à travers le côté droit de l'appareil et branchez le connecteur de boîte au panneau latéral, voir la section « vue d'ensemble de l'installation » pour une illustration.
- D. Passez les fils à travers le panneau latéral, glissez la bague fendue par-dessus les fils et enclenchez dans le trou de 7/8 po (22,2mm) pour protéger les fils tel qu'illustré. Branchez les connexions selon le schéma de câblage approprié, voir la section « schéma de câblage et installation ».
- E. Branchez le module de contrôle de la terminaison soit dans la boîte de dérivation ou dans le module de contrôle de l'appareil, s'il y a lieu.

1.7 installation de la plaque de restriction

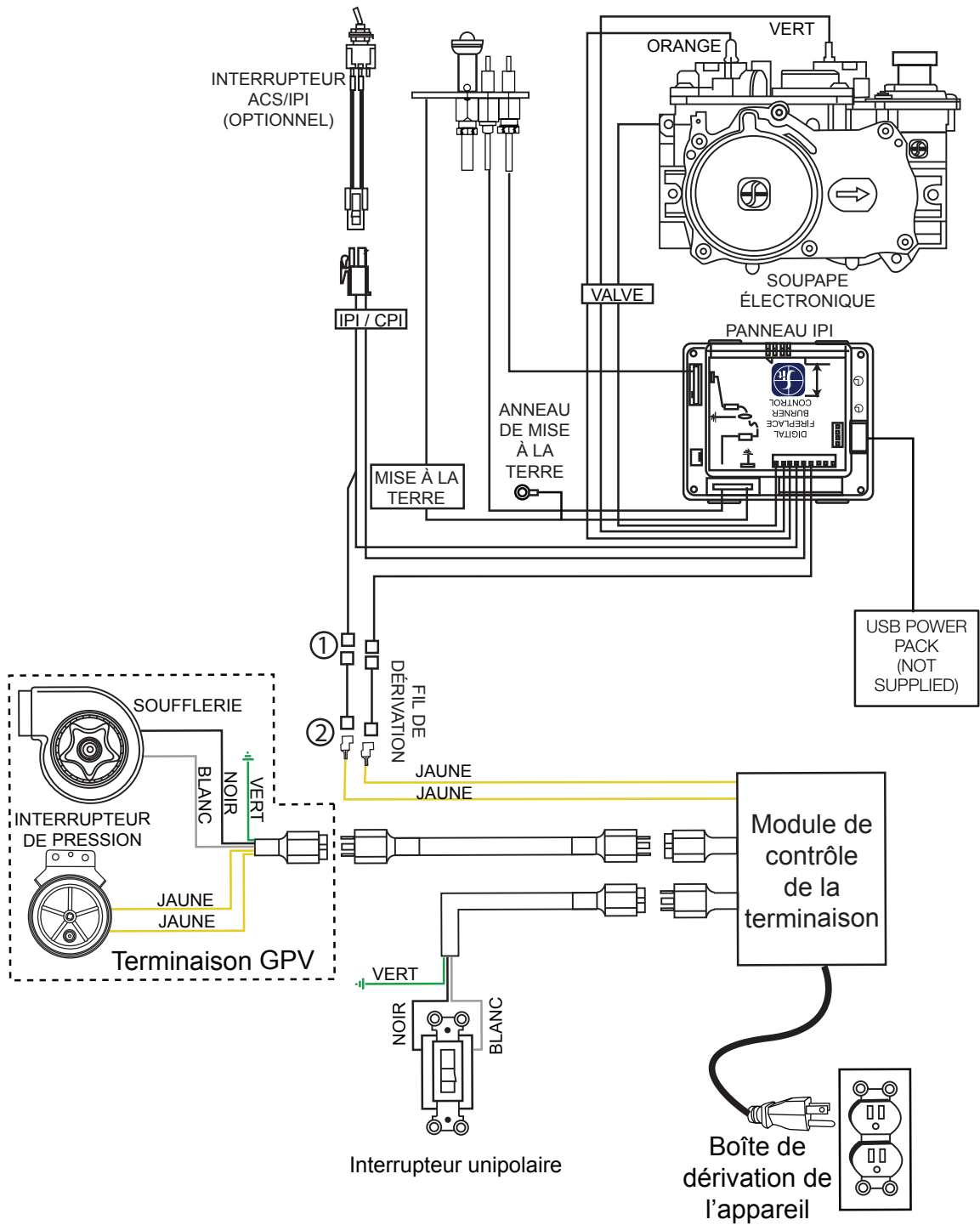
RÉFÉREZ-VOUS À L'ENSEMBLE PVA POUR LES INSTRUCTIONS SPÉCIFIQUES À UN APPAREIL.

1.8 schéma de câblage et installation

Raccordez le filage à la terminaison à évacuation mécanique tel que décrit dans la section précédente et raccordez le filage à l'appareil selon le schéma ci-dessous. Assurez-vous que les dégagements adéquats sont conservés pour le filage et le conduit. Quand vous installez le filage, il ne doit jamais passer au-dessus de la course de conduit et il doit se retrouver à au moins 1" (25,4mm) de toute évacuation.

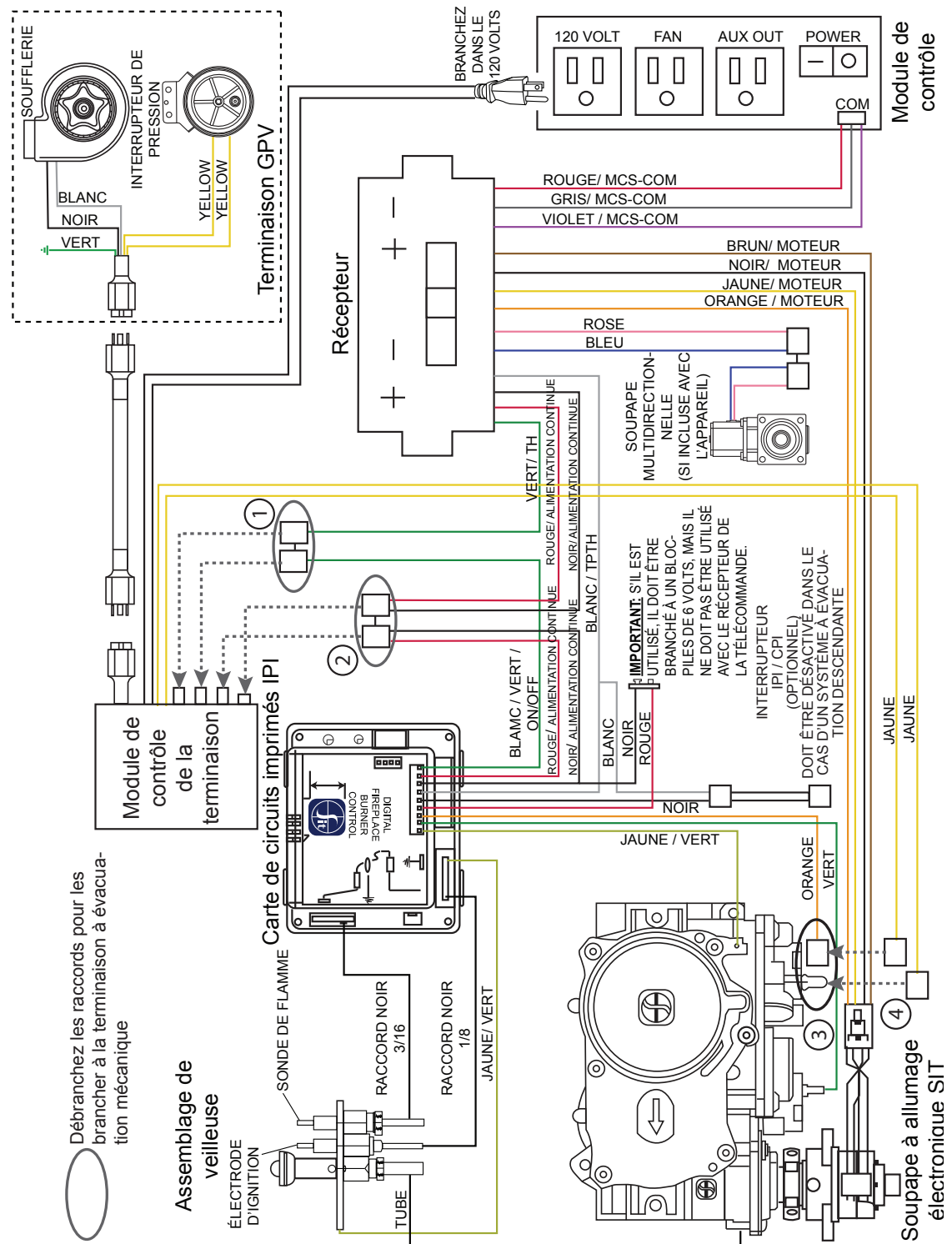
NOTE: La terminaison GPV comprend un harnais de fil de 20 pieds (6,1m). Si ce harnais n'est pas assez long pour atteindre l'appareil, vous pouvez le couper et ajouter une jonction de fil. Ces connexions doivent être conformes aux codes locaux. En l'absence de codes locaux, utilisez la version courante du Code canadien de l'électricité CSA C22.1 au Canada ou le National Electrical Code ANSI /NFPA 70 aux États-Unis.

FR 1.8.1 soupape SIT IPI PF0 880/886 avec un interrupteur unipolaire ou télécommande



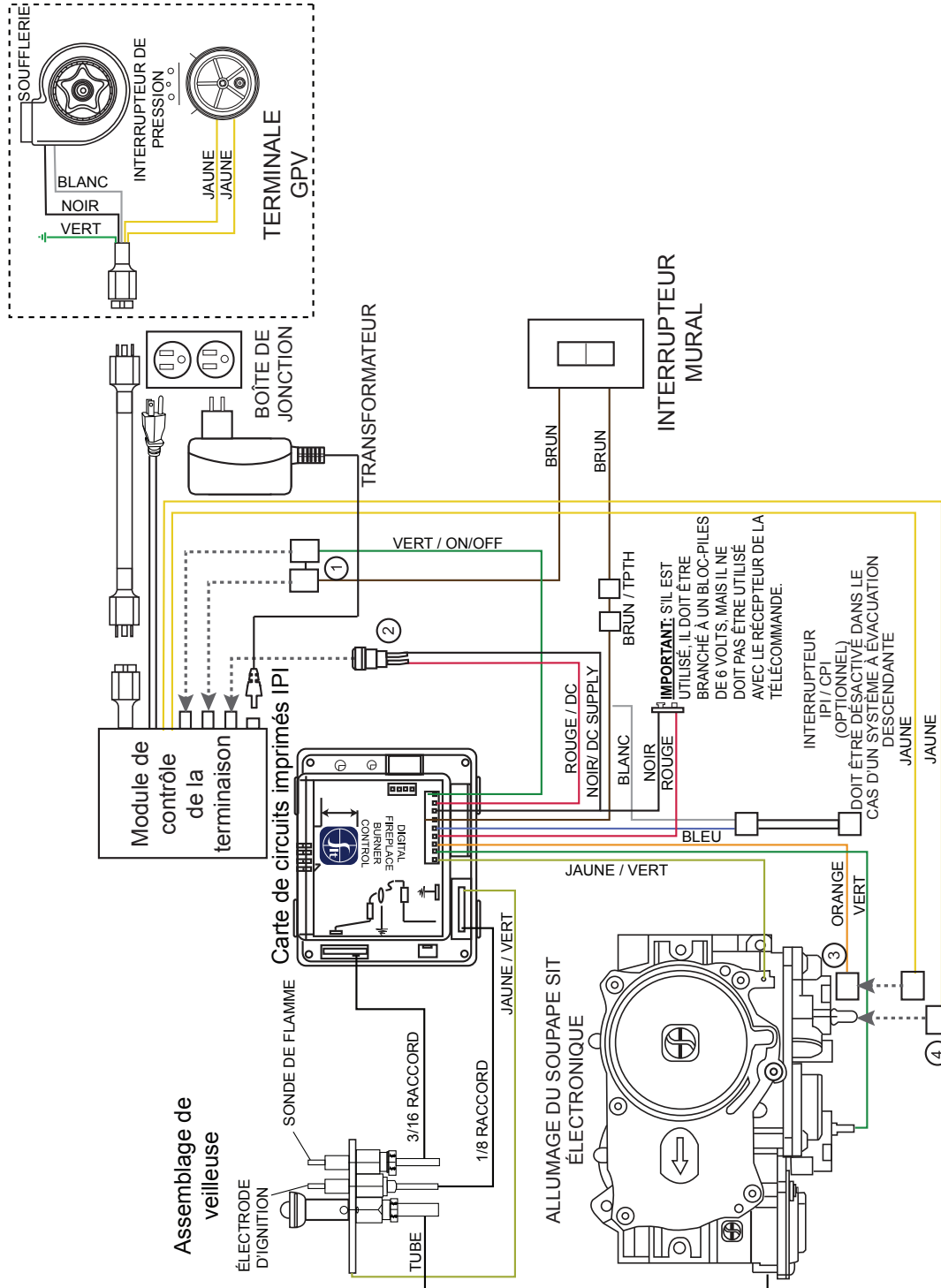
1.8.2 SIT IPI 885 Proflame 1 équipé avec une télécommande

1. Débranchez les fils identifiés MARCHE/ARRÊT (blanc/vert) et TH (vert). Rebranchez-les aux connecteurs mâle/femelle sur le module de contrôle de la terminaison.
2. Débranchez les 2 fils CC (rouge/noir) l'un de l'autre et rebranchez-les aux connecteurs CC correspondants sur le module de contrôle de la terminaison.
3. Débranchez le fil orange de la soupape de gaz et rebranchez-le au fil jaune (connecteur femelle) du module de contrôle de la terminaison.
4. Branchez le fil jaune restant (connecteur mâle) du module de contrôle de la terminaison à la borne sur la soupape de gaz où le fil orange a été retiré.



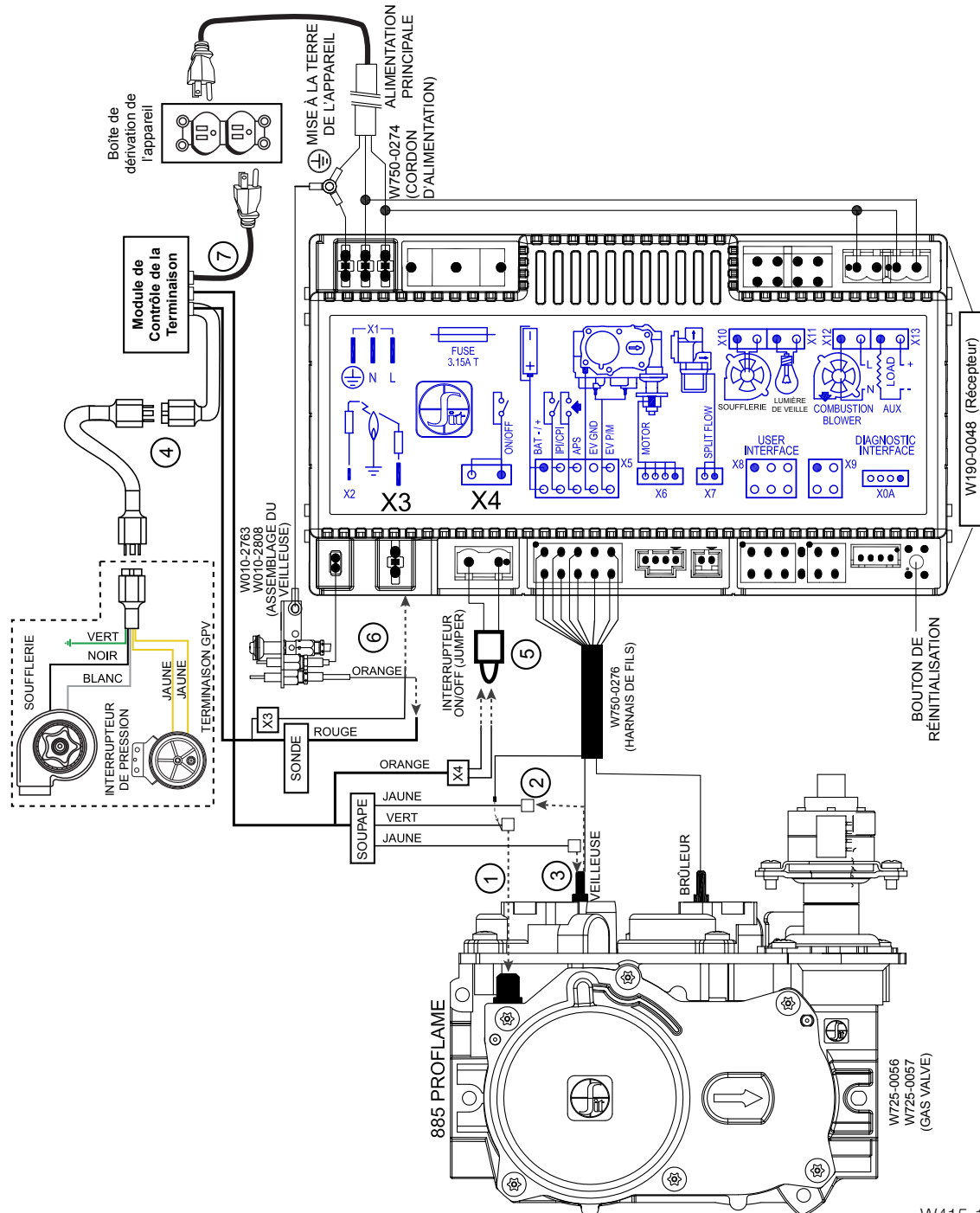
1.8.3 SIT IPI 885 Proflame 1 non équipé avec une télécommande

1. Débranchez les fils identifiés MARCHE/ARRÊT (vert) du fil de l'interrupteur (brun). Rebranchez-les aux connecteurs mâle/femelle sur le module de contrôle de la terminaison.
2. Débranchez les 2 fils CC (rouge/noir) l'un de l'autre et rebranchez-les aux connecteurs CC correspondants sur le module de contrôle de la terminaison.
3. Débranchez le fil orange de la soupape de gaz et rebranchez-le au fil jaune (connecteur femelle) du module de contrôle de la terminaison.
4. Branchez le fil jaune restant (connecteur mâle) du module de contrôle de la terminaison à la borne sur la soupape de gaz où le fil orange a été retiré.
5. Branchez le transformateur et le module de contrôle de la terminaison.



1.8.4 SIT IPI Proflame 2 système de contrôle

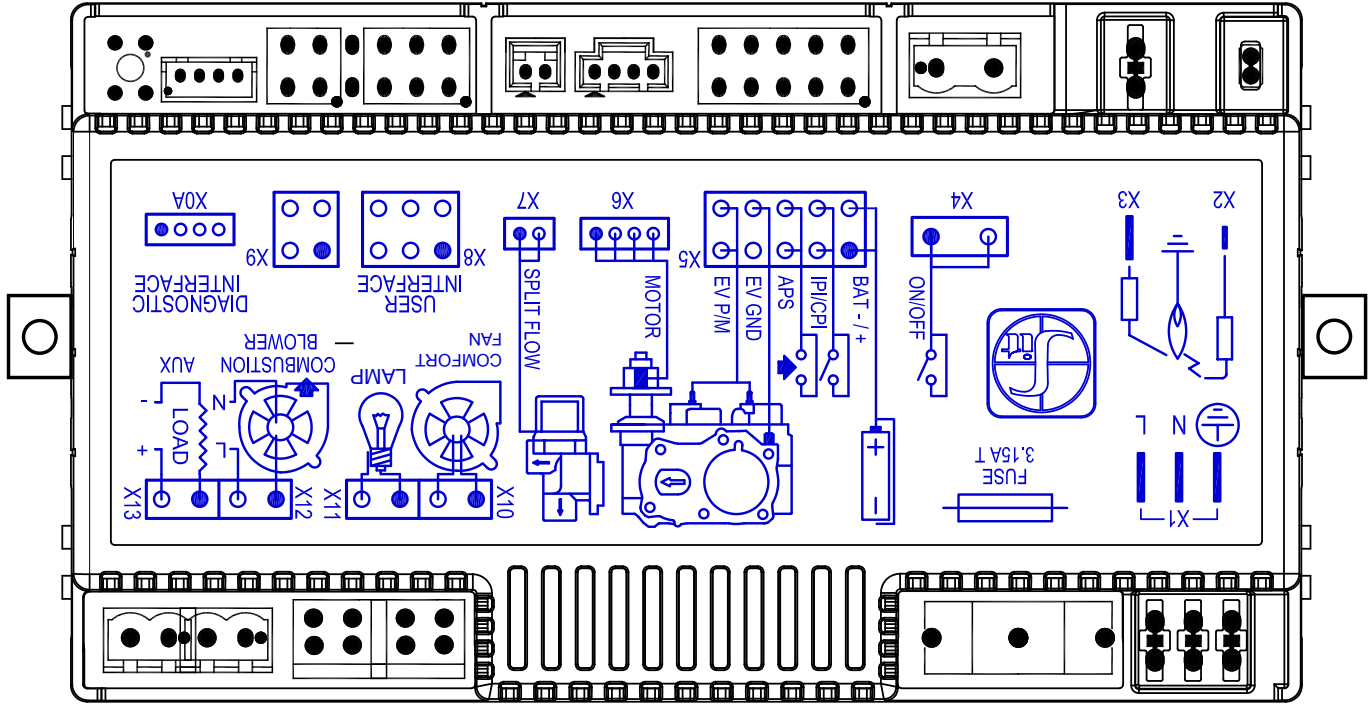
1. Débranchez le fil de mise à la terre (jaune/vert) de la soupape et, à l'aide d'un connecteur siamois, branchez-le au fil de mise à la terre (vert) du module de contrôle de la terminaison puis rebranchez-le à la soupape.
2. Débranchez le fil (orange) de la soupape et branchez-le à l'extrémité mâle du fil (jaune) du module de contrôle de la terminaison.
3. Branchez l'autre fil (jaune) du module de contrôle de la terminaison à la soupape.
4. Branchez le harnais de fils de la terminaison à évacuation mécanique GPV au harnais de fils du module de contrôle de la terminaison.
5. Débranchez l'INTERRUPTEUR ON/OFF (JUMPER) de l'emplacement « X4 » et jetez-le. Branchez le fil (orange) du module de contrôle de la terminaison à l'emplacement « X4 » du récepteur.
6. Débranchez le fil (orange) du capteur de l'emplacement « X3 » du récepteur et branchez-le au fil (rouge) du capteur du module de contrôle de la terminaison. Branchez le fil (rouge) du module du contrôle de la terminaison à l'emplacement « X3 » du récepteur.
7. Branchez le cordon d'alimentation du module de contrôle de la terminaison.



FR **1.8.5 SIT IPI Proflame 2 système de contrôle (pour utilisation avec PVALX3 / PVALX5)**

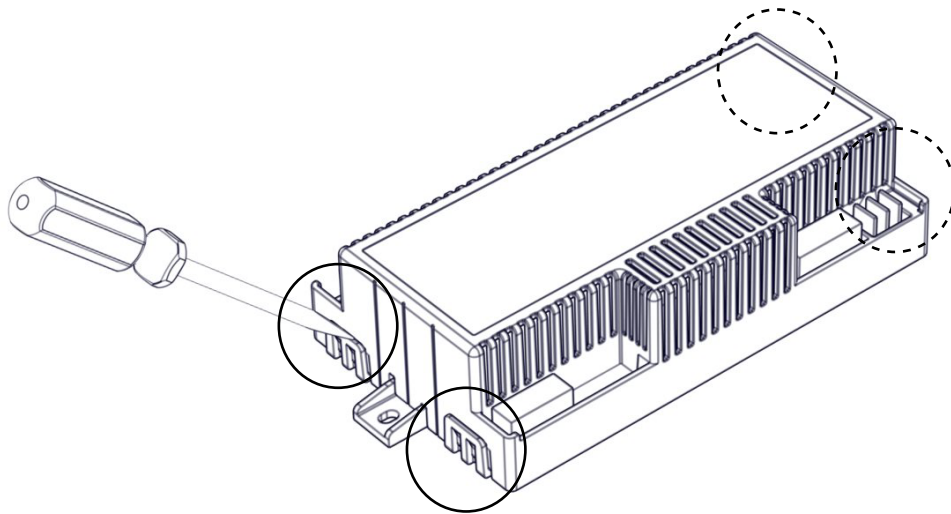
Installation du Panneau de Contrôle

1. Identifié toutes les fils pour prévenir confusion lorsque le panneau de contrôle doit être réinstallé. Débranchez toutes les fils du panneau de contrôle.

**note:**

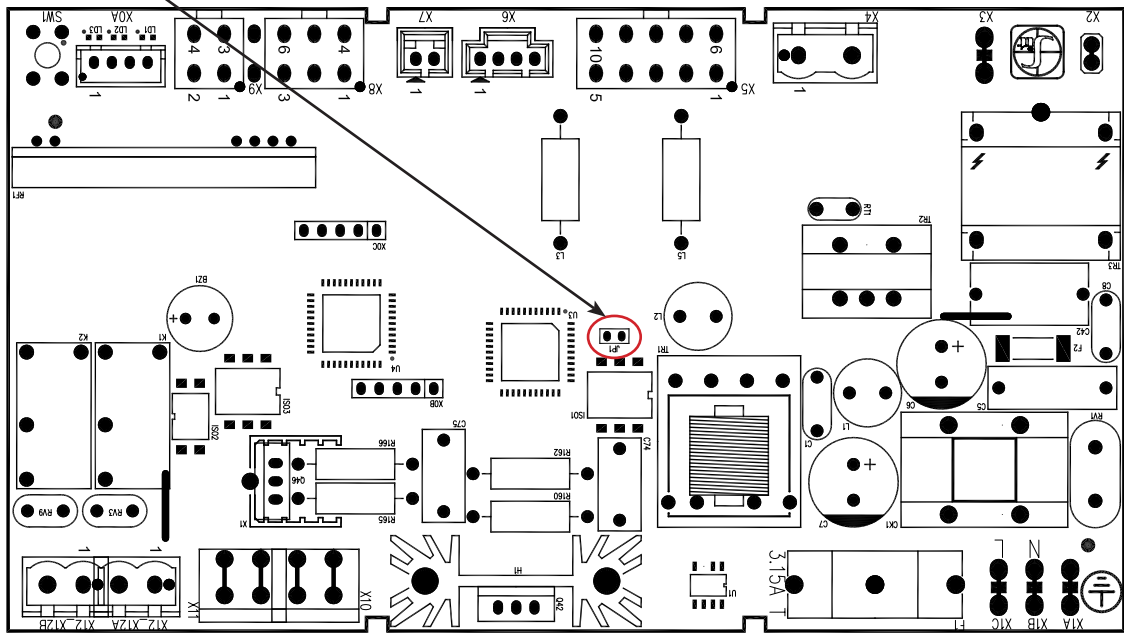
Connexions des câbles ne rentrera pas dans des endroits désignés.

2. Avec l'aide d'un tournevis à tête plate, soigneusement relâcher les 4 pattes (2 par côté) pour enlever le couvercle du panneau de contrôle.

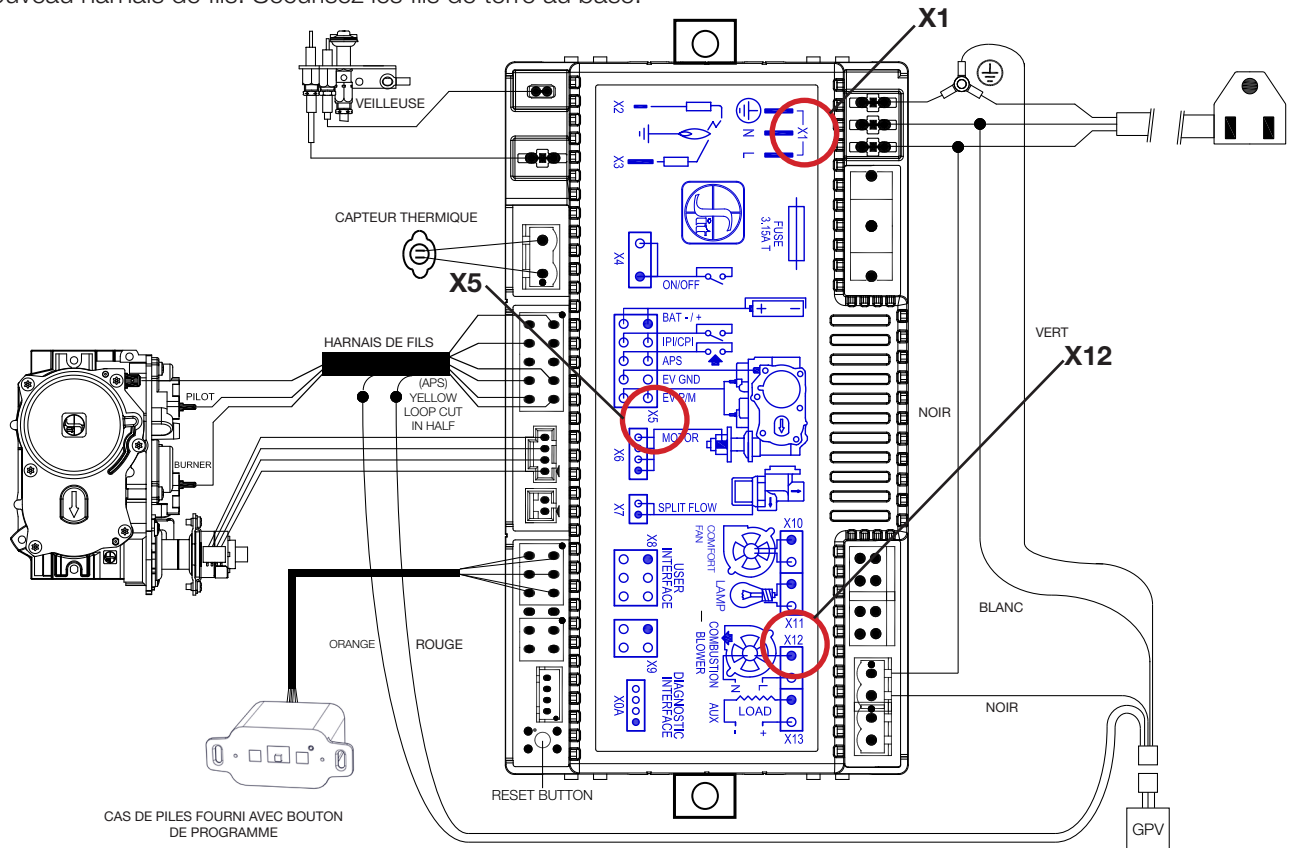
**note:**

Il peut être plus facile d'enlever le panneau de contrôle.

1. Enlever le fil de dérivation (JP1) du panneau de contrôle. (Cela activera le fonction du terminaison mécanique).



2. Remplacer le couvercle du panneau de contrôle et toutes les connexions de fils **sauf** le cordon d'alimentation (x1); cela sera remplacé avec le nouveau harnais de fils (fourni).
3. Branchez le nouveau harnais de fils dans les locations (x1) et (x12) comme illustré sur le haut du panneau de contrôle.
4. Coupez le boucle de fil jaune (APS) situé dans (x5) et branchez un côté au fil orange et l'autre côté au fil rouge sur le nouveau harnais de fils. Sécurisez les fils de terre au base.



5. Branchez l'autre côté au harnais de fils fourni avec le GPV.
6. Testez votre appareil en le tournant par utilisation du télécommande.

note:

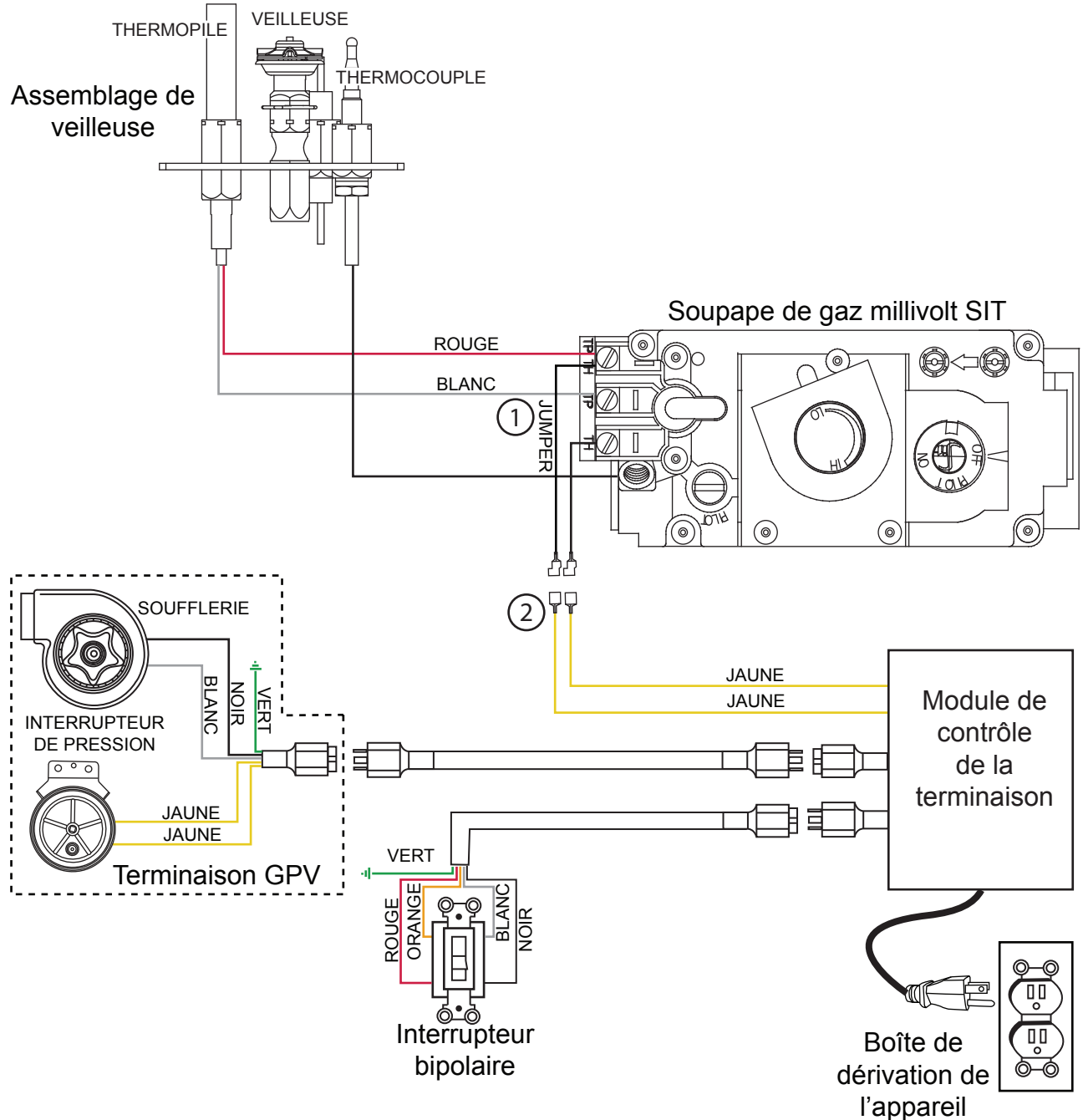
Il y a une deuxième purge de 15 secondes préalable avant que le brûleur s'allume et une purge après 120 seconds quand l'appareil est éteint avant l'arrêt de la soufflerie.

1.8.6 soupape millivolt SIT 820

NOTE: Vous devez utiliser l'interrupteur bipolaire (fourni) avec l'adaptateur de terminaison mécanique spécifique.

NOTE: Les systèmes à évacuation descendante ne sont pas permis avec des appareils qui utilisent une veilleuse permanente.

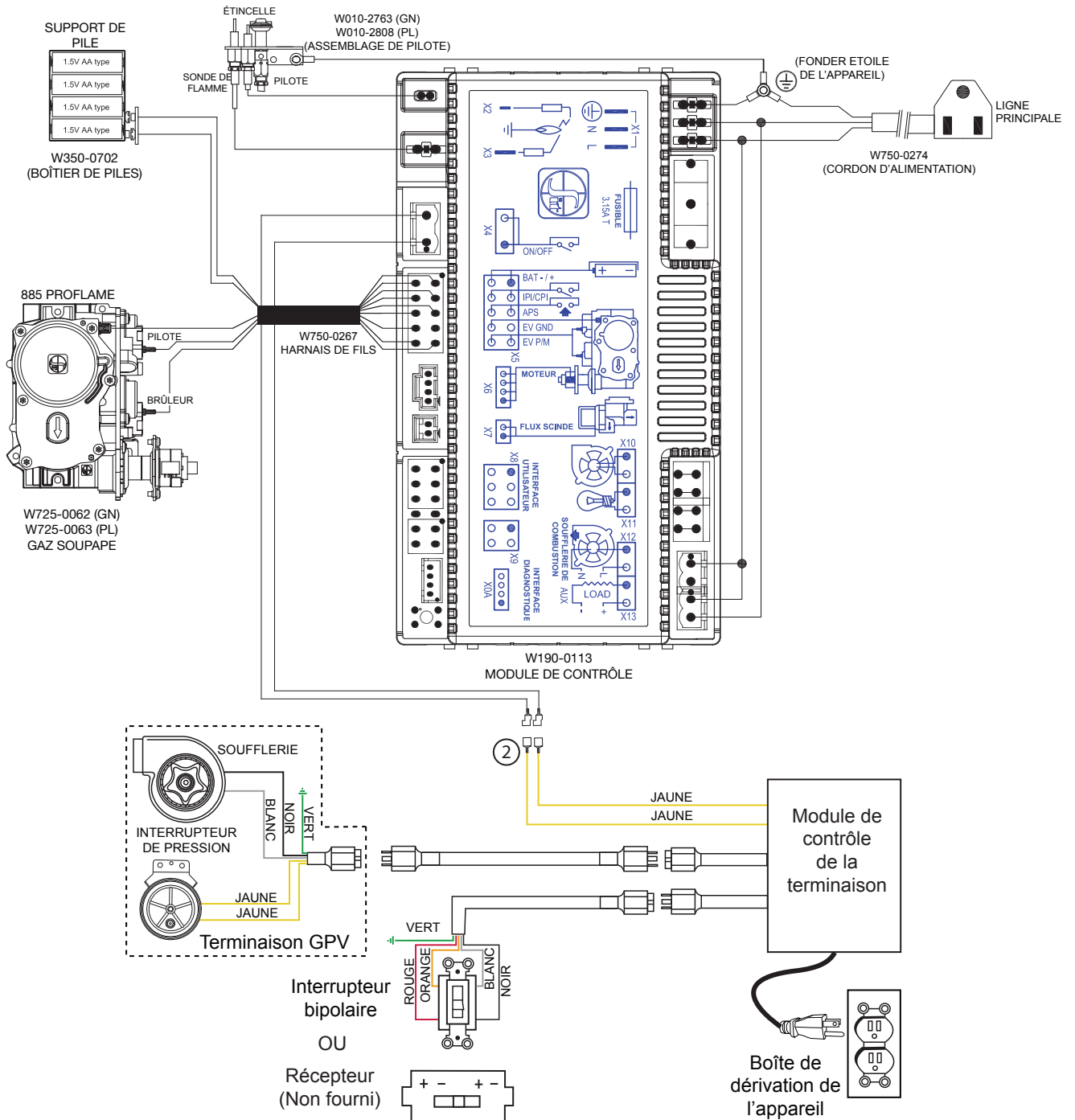
1. Branchez le fil de dérivation aux bornes TP/TH et TH de la soupape de gaz.
2. Branchez le fil de dérivation aux 2 fils jaune du module de contrôle de la terminaison.



IMPORTANT: Un réceptacle devra possiblement être installé comme source d'alimentation pour la terminaison à évacuation mécanique.

1.8.7 SIT IPI Proflame 2 avec un interrupteur unipolaire

NOTE: Les systèmes à évacuation descendante ne sont pas permis avec des appareils qui utilisent une veilleuse permanente.

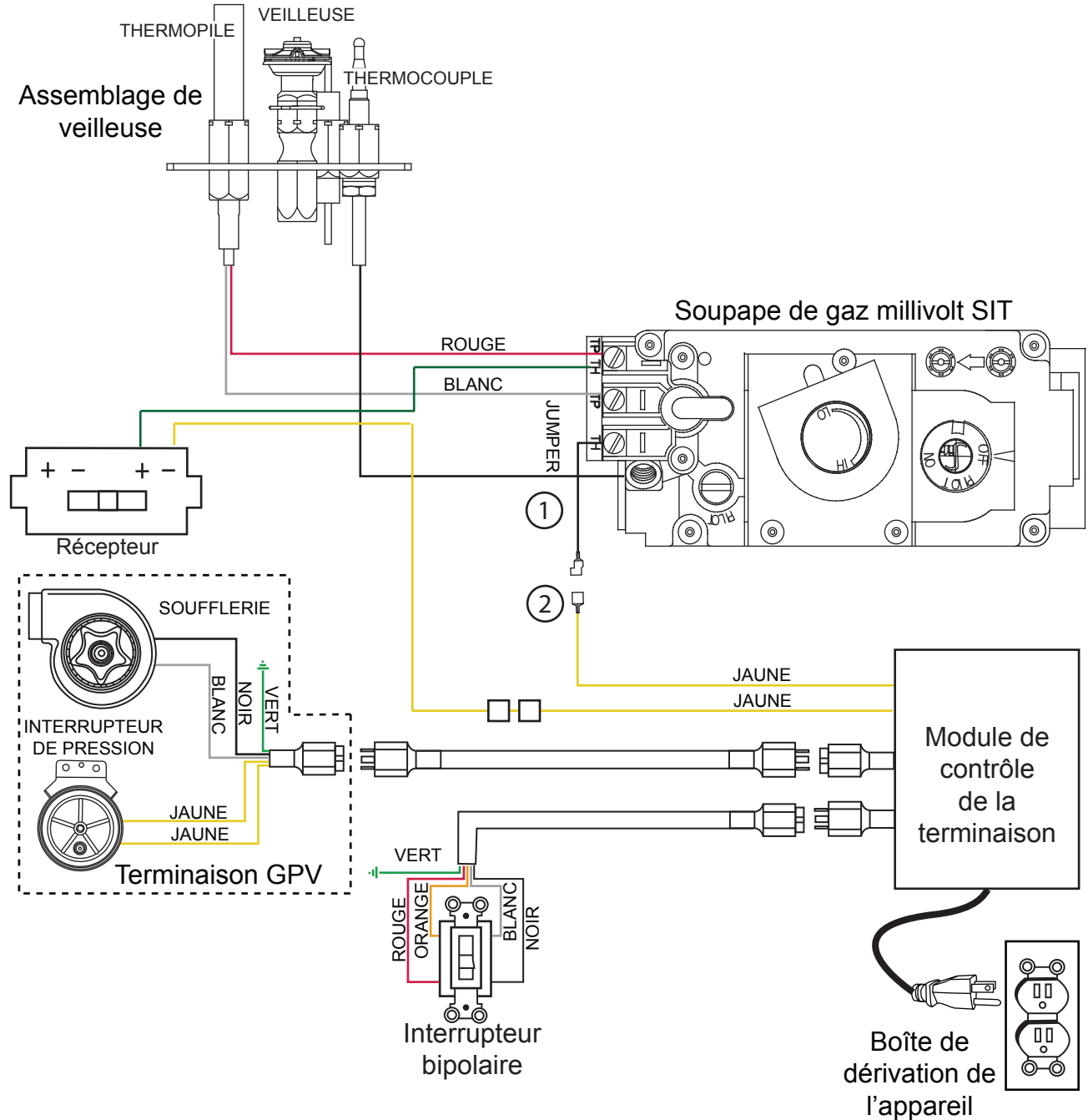


1. Branchez les deux fils jaune du module de contrôle de la terminaison aux fils de dérivation reliés à « X4 » MAIN ON/OFF.

1.8.8 soupape millivolt SIT 820 Nova fourni avec une télécommande optionnel

NOTE: Vous devez utiliser l'interrupteur bipolaire (fourni) avec l'adaptateur de terminaison mécanique spécifique.

NOTE: Les systèmes à évacuation descendante ne sont pas permis avec des appareil qui utilisent une veilleuse permanente.

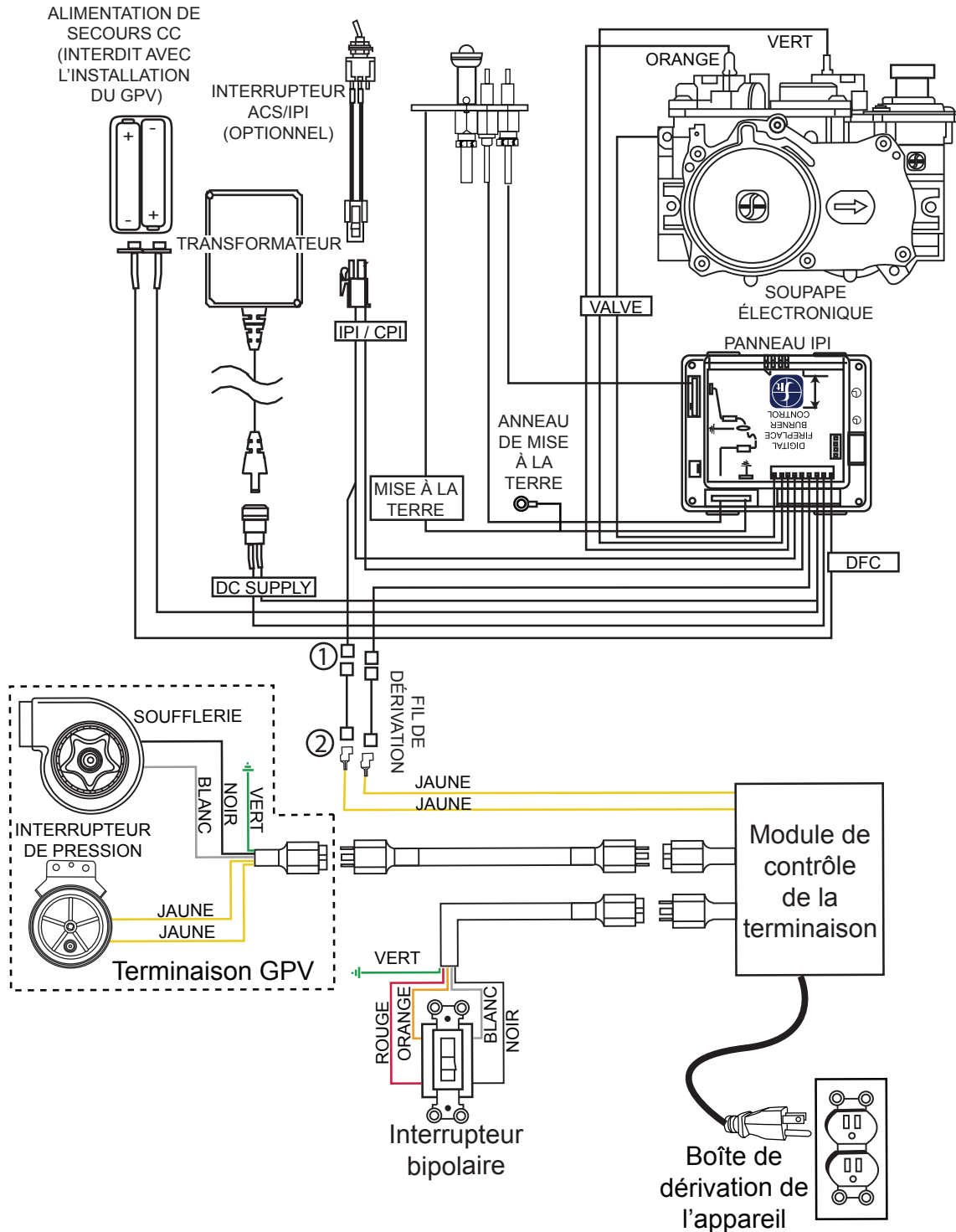


1. Débranchez un des deux fils du récepteur reliés à la soupape, puis branchez-le à un des fils jaunes du module de contrôle de la terminaison.
2. Branchez un fil de dérivation à la soupape, là où vous avez débranché le fil du récepteur, ainsi qu'à l'autre fil jaune du module de contrôle de la terminaison.

1.8.9 SIT IPI 880/886 Proflame

NOTE: Vous devez utiliser l'interrupteur bipolaire (fourni) avec l'adaptateur de terminaison mécanique spécifique.

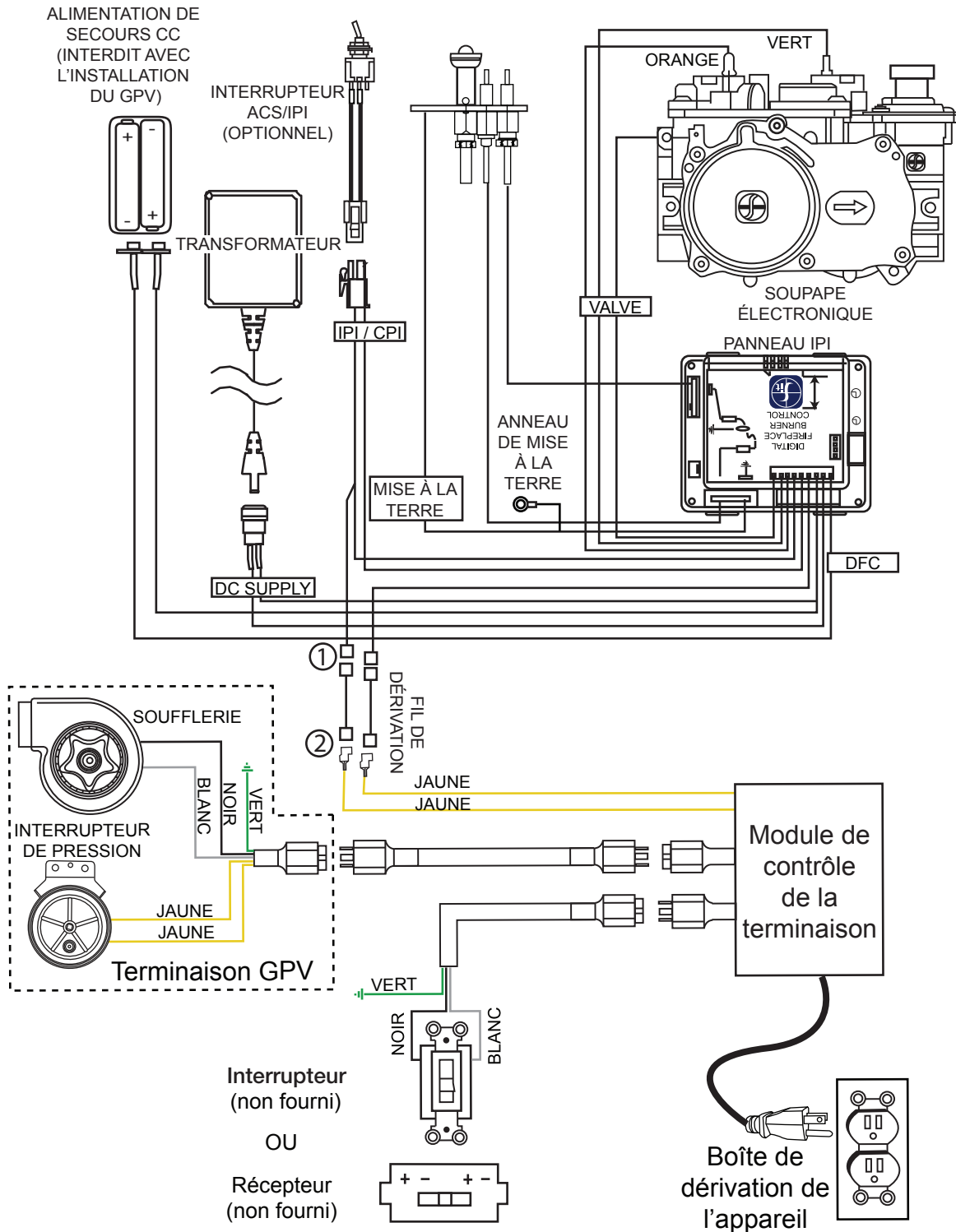
1. Branchez les fils de dérivation au fil identifié MARCHE/ARRÊT (vert/blanc) et au fil identifié TH (vert).
2. Branchez l'autre bout des fils de dérivation aux fils jaunes du module de contrôle de la terminaison.



IMPORTANT: Un réceptacle devra possiblement être installé comme source d'alimentation pour la terminaison à évacuation mécanique.

1.8.10 soupape SIT IPI 880/886 avec un interrupteur unipolaire ou télécommande optionnel

1. Branchez les fils de dérivation au fil étiqueté ON/OFF (vert/blanc) et au fil étiqueté TH (vert).
2. Branchez l'autre extrémité des fils de dérivation aux fils jaunes du module de contrôle de la terminaison.



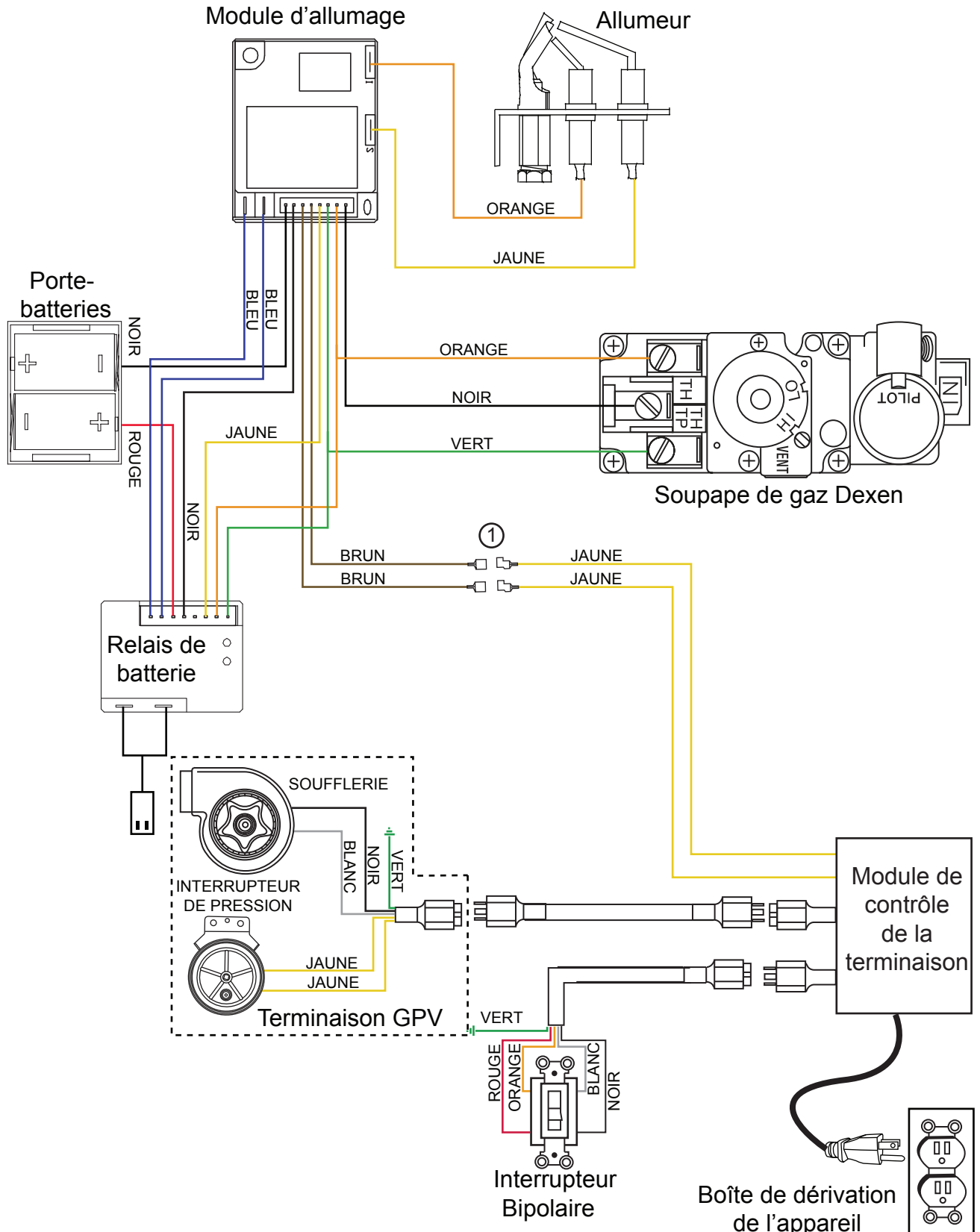
IMPORTANT: Un réceptacle devra possiblement être installé comme source d'alimentation pour la terminaison à évacuation mécanique.

1.8.11 soupape dexten IPI 6003-3V

NOTE: Vous devez utiliser l'interrupteur bipolaire (fourni) avec l'adaptateur de terminaison mécanique FR spécifique.

NOTE: Les systèmes à évacuation descendante ne sont pas permis avec des appareils qui utilisent une veilleuse permanente.

1. Branchez les fils bruns du module d'allumage aux fils jaunes du module de contrôle de la terminaison.

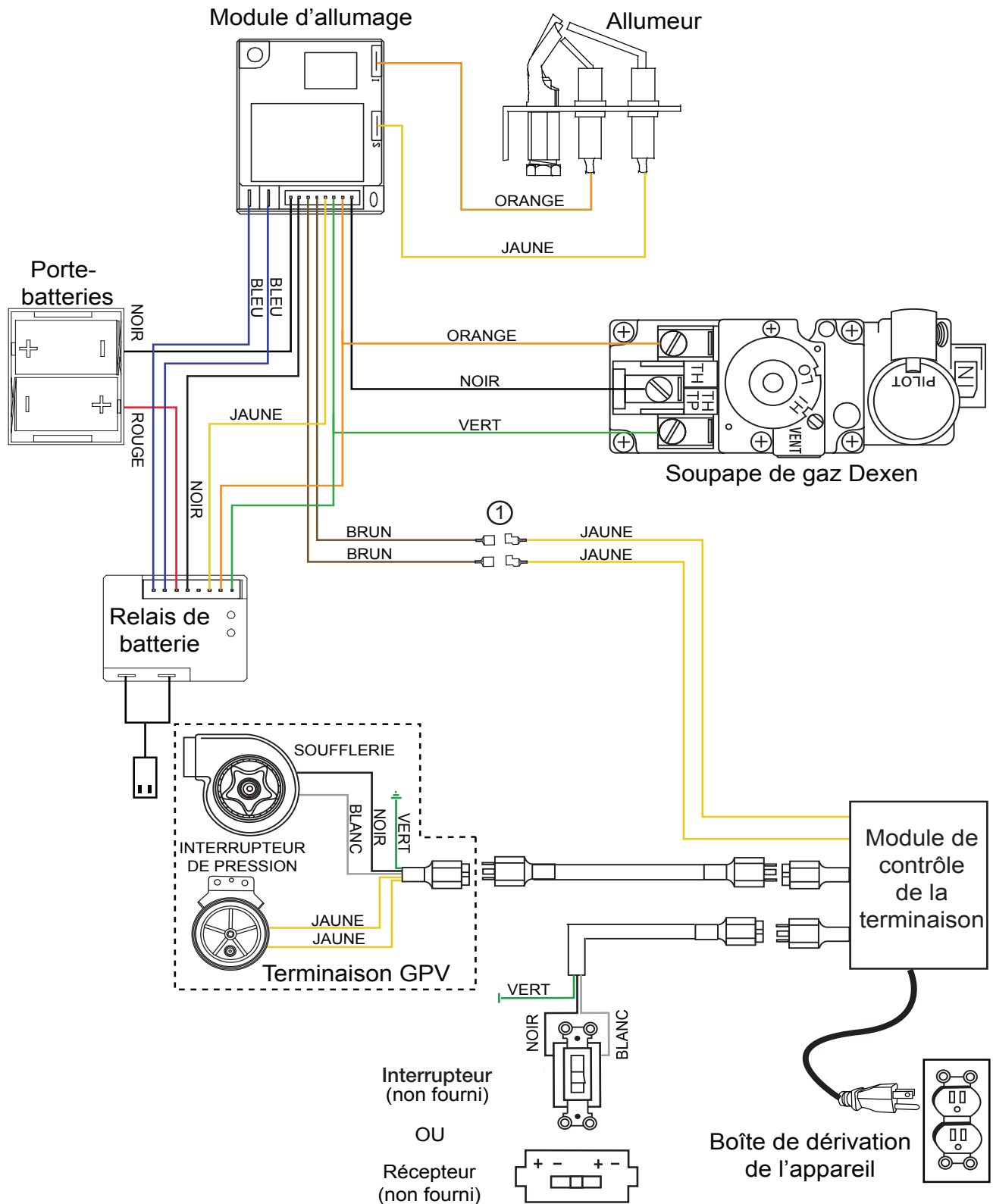


IMPORTANT: Un réceptacle devra possiblement être installé comme source d'alimentation pour la terminaison à évacuation mécanique.

1.8.12 soupape dexten IPI 6003-3V nécessitant un interrupteur unipolaire ou télécommande optionnel

NOTE: Les systèmes à évacuation descendante ne sont pas permis avec des appareils qui utilisent une veilleuse permanente.

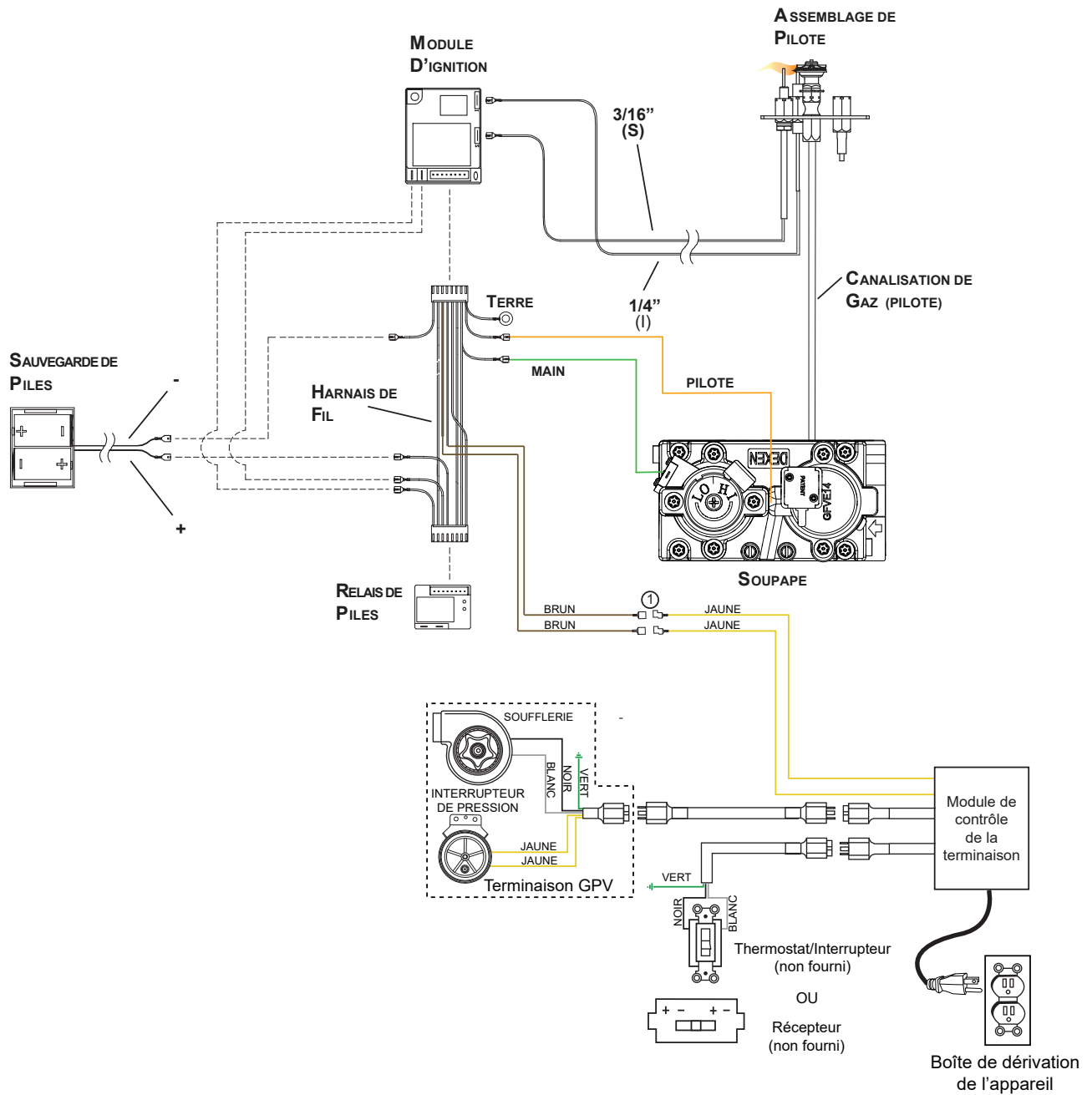
1. Branchez les fils bruns du module d'allumage aux fils jaunes du module de contrôle de la terminaison.



1.8.13 soupape dexten H3V nécessitant un interrupteur unipolaire ou télécommande optionnel

NOTE: Les systèmes à évacuation descendante ne sont pas permis avec des appareils qui utilisent une veilleuse permanente.

1. Branchez les fils bruns du module d'allumage aux fils jaunes du module de contrôle de la terminaison.



2.0 réglages

2.1 réglage du venturi

L'ouverture du volet d'air a été pré réglée en usine selon le tableau ci-dessous:

Indépendamment de l'orientation du venturi, plus le volet est fermé, plus la flamme est jaune et aura tendance à causer des dépôts de carbone. Plus le volet est ouvert, plus la flamme est bleue et plus elle a tendance à se détacher des orifices du brûleur. La flamme peut ne pas être jaune immédiatement; allouez de 15 à 30 minutes pour que la couleur finale de la flamme se stabilise.

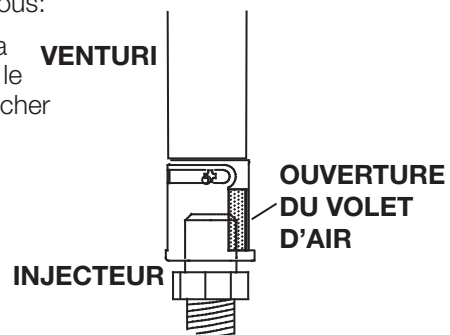
LE RÉGLAGE DU VOLET D'AIR DOIT ÊTRE EXÉCUTÉ PAR UN TECHICIEN OU INSTALLATEUR QUALIFIÉ.

note:

Il est important que l'injecteur soit correctement inséré dans le venturi.

note:

Consultez votre manuel pour le réglage du venturi correcte.



3.0 rechanges

! AVERTISSEMENT

- Omettre de positionner les pièces conformément à ce manuel ou d'utiliser uniquement des pièces spécifiquement approuvées pour cet appareil peut causer des dommages matériels ou des blessures corporelles.

Contactez votre détaillant pour les questions concernant les prix et la disponibilité des pièces de remplacement. Normalement, toutes les pièces peuvent être commandées chez votre détaillant autorisé.

Pour un remplacement de pièce sous garantie, une photocopie de la facture originale sera requise afin de pouvoir honorer la demande.

Lorsque vous commandez des pièces, donnez toujours l'information suivante:

- Modèle et numéro de série de l'appareil
- Date d'installation de l'appareil
- Numéro de la pièce
- Description de la pièce
- Fini

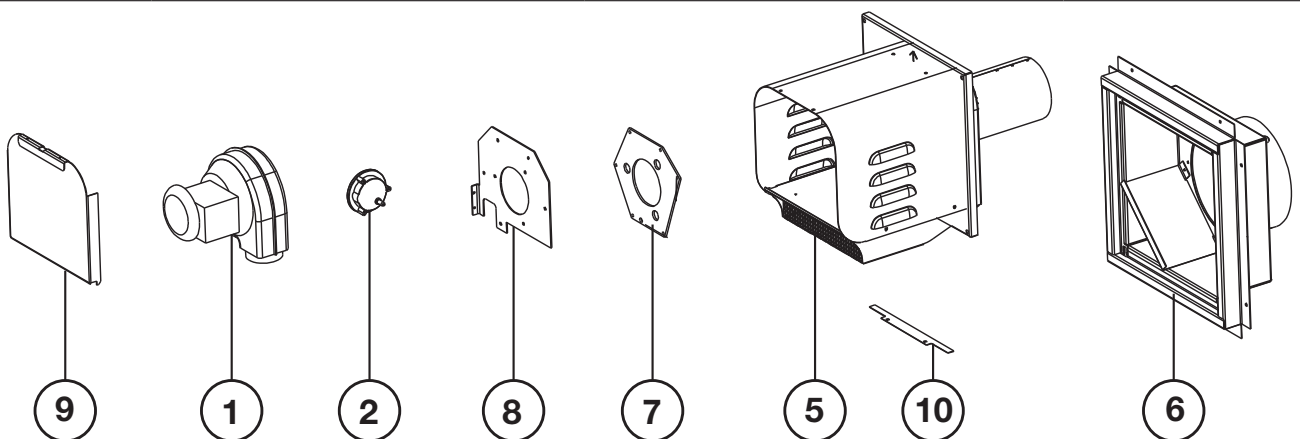
Pièces, numéro des pièces et s'il soit disponible peut changer sans préavis.

Parties identifiées comme garnie seront livrés dans 2 à 5 jours pour la plupart des destinations de livraison.

Pièces non identifiées que stockés seront livrés dans un délai de 2 à 4 semaines pour la plupart des cas.

Pièces identifiées comme « SO » sont commande spéciale et peuvent prendre jusqu'à 90 jours pour la livraison.

Réf.	Description	No. de pièce	En Stock
1	Soufflerie	W062-0026	
2	Interrupteur de pression	W660-0056	Oui
3*	Harnais de fils, terminaison	W750-0195	
4*	Harnais de fils de 20' (9,1m) allant de l'appareil à la terminaison	W750-0209	
5	Boîtier en étain	W010-1924PW	
6	Cadrage en étain	W010-1925PW	Oui
7	Joint d'étanchéité de la soufflerie	W290-0138	
8	Plaque de support de la soufflerie	W500-0716	
9	Couvercle d'accès en étain	W200-0256PW	
10	Plaque d'air de dilution	W500-0419	
11*	Tuyau	W345-0003	



4.0 guide de dépannage

FR

AVERTISSEMENT

- Allumez toujours la veilleuse, que ce soit pour la première fois ou lorsque l'approvisionnement en gaz est épuisé, avec la porte vitrée ouverte ou retirée.
- Dans certains cas, le système n'allumera pas la veilleuse si la porte est ouverte/retirée. En bloquant partiellement la buse, l'interrupteur de pression s'activera et permettra un apport de gaz à la veilleuse lors de la première utilisation.

Symptôme	Problème	Solution
La flamme du brûleur principal est bleue, paresseuse et transparente.	Fuite au niveau de conduit d'évacuation.	- Vérifiez le conduit d'évacuation et l'étanchéité des joints.
	Installation incorrecte.	- Référez-vous à l'ensemble PVA pour la plaque de restriction spécifique à un appareil.
Du carbone se dépose sur la vitre ou les parois de la chambre de combustion.	Le volet d'air est bloqué ou au mauvais réglage.	- Assurez-vous que l'ouverture du volet d'air n'est pas bloquée par des fibres ou autres obstructions et qu'il est au bon réglage.
	La flamme effleure les bûches ou les parois de la chambre de combustion.	- Vérifiez si les composants décoratifs sont positionnés correctement. - Augmentez l'ouverture du volet d'air pour augmenter le volume d'air primaire. - Vérifiez le débit d'alimentation: vérifiez que la pression du collecteur et la grandeur de l'injecteur sont telles que spécifiées sur la plaque d'homologation. - Vérifiez si les joints de la porte ne sont pas brisés ou manquants et qu'ils sont étanches. - Vérifiez que les deux conduits d'évent de 4" (101,6mm) et 7" (177,8mm) ne sont pas troués et qu'ils sont bien scellés à tous les joints. - Vérifiez que la plaque de restriction adéquate est utilisée.
Une pellicule blanche ou grise se forme.	Le soufre du combustible se dépose sur la vitre, les bûches ou les parois de la chambre de combustion.	- Nettoyez la vitre avec un nettoyeur recommandé. NETTOYER PAS LORSQU'ELLE EST CHAUD. - Si vous ne nettoyez pas les dépôts régulièrement, la vitre risque de rester marquée en permanence
On détecte l'odeur des gaz de combustion dans la pièce; maux de tête.	L'appareil refoule les gaz de combustion dans la pièce.	- Vérifiez tous les joints scellés et la plaque d'expansion.. - Vérifiez si le processus d'évaporation des peintures et lubrifiants interne de l'appareil est terminé.
Le brûleur principal ne s'allume pas.	La porte principale n'est pas installée.	- Installez la porte principale.
Les flammes du brûleur principal sont très actives.	Pas de plaque de restriction.	- Ajoutez une plaque de restriction. - Retirez la plaque de restriction de la terminaison à évacuation mécanique.
Le brûleur principal ne s'allume pas.	L'interrupteur de pression n'est pas activé.	- Enlevez ce qui obstrue. Dans les conditions de froid extrême, une accumulation de glace peut se former sur la terminaison et devrait être enlevée lorsque nécessaire. - Testez l'interrupteur de pression et remplacez-le, si nécessaire.

IMPORTANT: Vérifiez tous les systèmes avant d'enfermer l'appareil complètement.

WOLF STEEL ^{LTD.}

24 Napoleon Road, Barrie, Ontario, Canada L4M 0G8
103 Miller Drive, Crittenden, Kentucky, USA 41030
7200 Trans Canada Highway, Montreal, Quebec, Canada H4T 1A3

Tel: 1-866-820-8686