

# ASCENT™ ELECTRIC FIREPLACE WITH HEATER



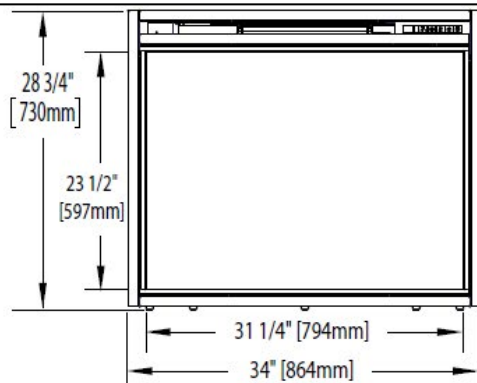
## Specifications

Model	BTU	Width		Height		Depth		Glass
		Actual	Framing	Actual	Framing	Actual	Framing	
NEFB33H	5,000	34	33 1/4	28 3/4	28 3/8	9 3/4	10	23 1/2 X 31 1/4
NEFB40H	5,000	40 3/8	39 1/2	32	31 5/8	14	14 1/2	26 3/4 X 40 3/8

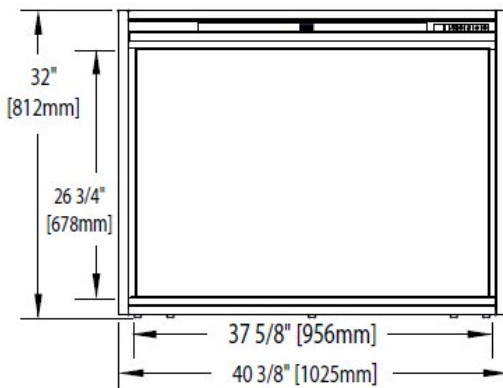
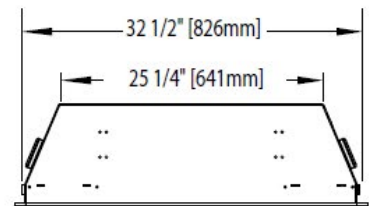
## Overview



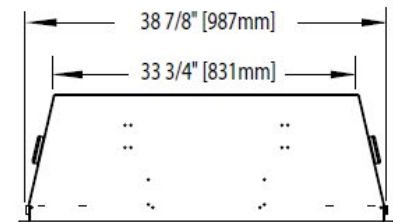
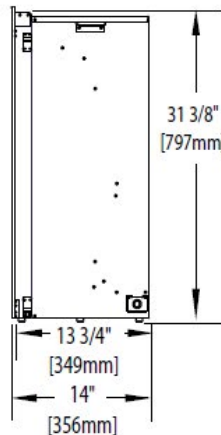
## Dimensions



**NEFB33H ILLUSTRATED**



**NEFB40H ILLUSTRATED**



Product information provided is not complete and is subject to change without notice. Please consult the installation manual for the most up to date installation information.

## Clearances

### Minimum Fireplace Clearances

MINIMUM CLEARANCE TO COMBUSTIBLES			
Measurements are taken from the glass front.			
Bottom	0"	Top	1" (25mm) to 2" (51mm) mantel
Sides	0"	Top	5" (127mm) to ceiling
Back	0"		

**NOTE:** The power switch is located on the upper right hand side of the appliance. Always ensure that access to this switch remains accessible.

**MINIMUM MANTEL CLEARANCES**

**⚠ WARNING**

WHEN USING PAINT OR LACQUER TO FINISH THE MANTEL, THE PAINT OR LACQUER MUST BE HEAT RESISTANT TO PREVENT DISCOLOURATION.

	NEFB33H	NEFB40H
A	28 1/8" (715mm)	31 3/8" (797mm)

### Appliance Installation

- Place a cloth (not supplied) onto the mantel (Fig. 1) to prevent the appliance from scratching the mantel surface.
- With two people, lift the appliance up and insert into the opening, leave space between the appliance and floor base in order to not scratch the floor surface. Do not push or slide the bottom of the appliance on the floor base (Fig. 1).
- Set the appliance down and into place and remove the cloth (Fig. 2).

### Framing

	NEFB33H	NEFB40H
A	10" (254mm)	14 1/2" (368mm)
B	33 1/4" (844mm)	39 1/2" (1003mm)
C	28 3/8" (720mm)	31 5/8" (801mm)
J	44 1/2" (1130mm)	60 3/4" (1543mm)
K	31 1/2" (800mm)	43" (1092mm)
L	31 1/2" (800mm)	43" (1092mm)

- Once the rough opening has been prepared, and the power has been routed to the right side of the recess, the appliance may be installed.
- The electrical connection must be made prior to placing the appliance into position. (See "HARD WIRING INSTALLATION" section). Have two people lift the appliance up and insert into the opening of the wall.
- To secure the appliance to the wall, remove the glass door (See "GLASS DOOR REMOVAL AND INSTALLATION" section) and log / grate / ember bed (See "LOG, GRATE AND EMBER BED ASSEMBLY REMOVAL" section).
- Level the appliance and use the 4 screws (#8 x 1 1/4") provided to secure the appliance to the wall studs, refer to Figure 2.
- Install the brick panels (see "BRICK PANEL INSTALLATION AND REMOVAL" section), log / grate and ember bed assembly and the glass door to the appliance.

**NOTE:** In order to avoid the possibility of exposed insulation or vapour barrier coming in contact with the appliance body, it is recommended that the walls of the appliance enclosure be "finished" (ie. drywall/sheetrock), as you would finish any other outside wall of a home. This will ensure that clearance to combustibles is maintained within the cavity.