



INSTALLATION AND OPERATION MANUAL

Riverside™ Series (GSS36CFE Illustrated)

SAFETY INFORMATION

! WARNING

If the information in these instructions are not followed exactly, a fire or explosion may result causing property damage, personal injury or loss of life. Read the installation, operating and maintenance instructions thoroughly before installing or servicing this equipment.

- Do not store or use gasoline or other flammable vapors and liquids in the vicinity of this or any other appliance.
- An LP-cylinder not connected for use shall not be stored in the vicinity of this or any other appliance.

WHAT TO DO IF YOU SMELL GAS:

- Do not try to light any appliance.
- Shut off gas to the appliance.
- Extinguish any open flame.
- If odour continues, leave the area immediately.
- Do not touch any electrical switch; do not use any phone in your building.
- Immediately call your gas supplier from a neighbour's phone. Follow the gas supplier's instructions.
- If you cannot reach your gas supplier, call the fire department.

Failure to follow these instructions could result in fire or explosion, which could cause property damage, personal injury, or death.

- Installation and service must be performed by a qualified installer, service agency, or the gas supplier.

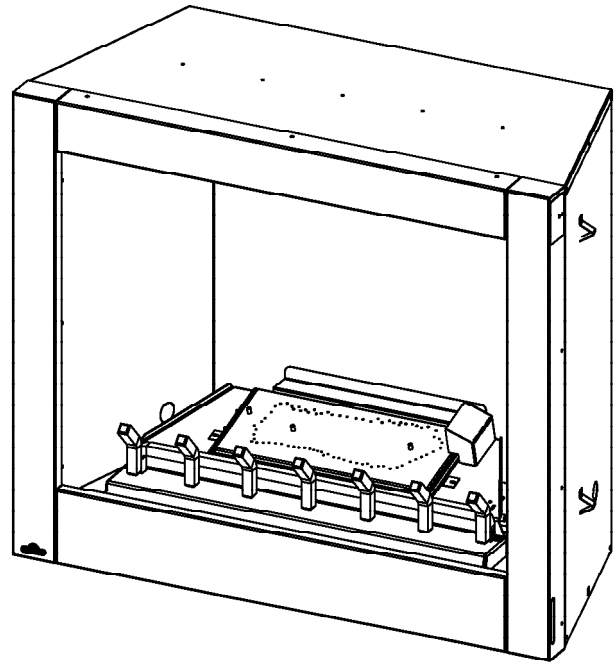
This appliance is only for use with the type of gas indicated on the rating plate. This appliance is not convertible for use with other gases, unless a certified kit is used.

INSTALLER:

Leave this manual with the appliance

CONSUMER:

Retain this manual for future reference



FOR OUTDOOR USE ONLY

CERTIFIED TO THE CANADIAN AND AMERICAN NATIONAL STANDARDS:
ANSI Z21.97 AND CSA 2.41 FOR OUTDOOR DECORATIVE GAS APPLIANCES

 DANGER	CARBON MONOXIDE HAZARD This appliance can produce carbon monoxide which has no odor.
	Using it in an enclosed space can kill you. Never use this appliance in an enclosed space such as a camper, tent, car or home.

DECORATIVE PRODUCT: NOT FOR USE AS A HEATING APPLIANCE.

APPLY SERIAL NUMBER LABEL FROM CARTON

Serial No. X X X X X 0 0 0 0 0 0 <input type="text"/>
MODEL NO.



▲ DANGER! FLAMMABLE GAS UNDER PRESSURE.
LEAKING LP-GAS MAY CAUSE A FIRE OR EXPLOSION
IF IGNITED CAUSING SERIOUS BODILY INJURY OR DEATH.
CONTACT LP GAS SUPPLIER FOR REPAIRS, OR DISPOSAL OF THIS
CYLINDER OR UNUSED LP-GAS.

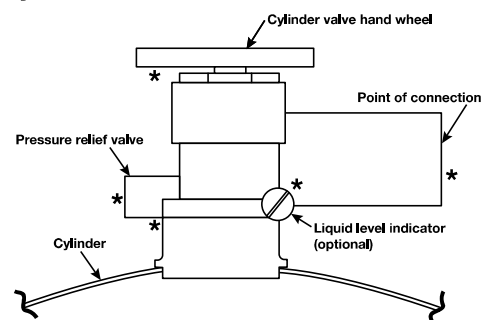
▲ WARNING! FOR OUTDOOR USE ONLY. *
DO NOT USE OR STORE CYLINDER IN A BUILDING, GARAGE, OR
ENCLOSED AREA.

▲ WARNING:

- Know the odour of LP-gas. If you hear, see, or smell leaking LP-gas, immediately get everyone away from the cylinder and call the Fire Department. Do not attempt repairs.
- Caution your LP-gas supplier to:
 - (a) be certain cylinder is purged of trapped air prior to first filling;
 - (b) be certain not to overfill the cylinder;
 - (c) be certain cylinder requalification date is checked.
- LP-gas is heavier than air and may settle in low places while dissipating.
- Contact with the liquid contents of cylinder will cause freeze burners to the skin.
- Do not allow children to tamper or play with cylinder.
- When not connected for use, keep cylinder valve turned off. Self-contained appliances shall be limited to a cylinder of 30lb capacity or less.
- Do not use, store, or transport cylinder where it would be exposed to high temperatures. Relief valve may open allowing a large amount of flammable gas to escape.
- When transporting, keep cylinder secured in an upright position with cylinder valve turned off.

WHEN CONNECTING FOR USE:

- Use only in compliance with applicable codes.
- Read and follow manufacturer's instructions.
- Consult manufacturer's instructions concerning the cylinder connection provided with your appliance.
- Be sure regulator vent is not pointing up.
- Turn off all valves on the appliance.
- Do not check for gas leaks with a match or open flame. Apply soapy water at areas marked "X". Open cylinder valve. If bubble appears, close valve and have LP-gas service person make needed repairs. Also, check appliance valves and connections to make sure they do not leak before lighting appliance.
- Light appliance(s) following manufacturer's instructions.
- When appliance is not in use, keep the cylinder valve closed.



WARNING

- **This appliance is hot when operated and can cause severe burns if contacted.**
- **Any changes or alterations to this appliance or its controls can be dangerous and is prohibited.**
- Do not operate appliance before reading and understanding operating instructions. Failure to operate appliance according to operating instructions could cause fire or injury.
- Ensure the glass door is opened or removed when lighting the pilot for the first time and when the gas supply has run out.
- Risk of fire or asphyxiation, do not operate appliance with fixed glass removed and never obstruct the front opening of the appliance.
- Do not connect 110 volts to the control valve, with the exception of models; GSST8 and GT8.
- Risk of burns. The appliance should be turned off and cooled before servicing.
- Do not install damaged, incomplete or substitute components.
- Risk of cuts and abrasions. Wear protective gloves, protective footwear, and safety glasses during installation. Sheet metal edges may be sharp.
- Do not burn wood or other materials in this appliance.
- Provide adequate ventilation and combustion air. Provide adequate accessibility clearance for servicing and operating the appliance.
- High pressure will damage valve. Disconnect gas supply piping before pressure testing gas line at test pressures above 1/2 psig. Close the manual shut-off valve before pressure testing gas line at test pressures equal to or less than 1/2 psig (35mb).
- The appliance must not be operated at temperatures below freezing (32°F / 0°C). Allow the appliance to warm to above freezing prior to operation, with the exception of models; GSS36, GSS42; these appliances are suitable for 0°F / -18°C.
- **Children and adults should be alerted to hazards of high surface temperature and should stay away to avoid burns or clothing ignition.**
- **Young children should be carefully supervised when they are in the same room as the appliance. Toddlers, young children and others may be susceptible to accidental contact burns. A physical barrier is recommended if there are at risk individuals in the house. To restrict access to an appliance or stove, install an adjustable safety gate to keep toddlers, young children and other at risk individuals out of the room and away from hot surfaces.**
- **Clothing or other flammable material should not be placed on or near the appliance.**
- **Due to high temperatures, the appliance should be located out of traffic and away from furniture and draperies.**
- Furniture or other objects must be kept a minimum of 4 feet (1.22m) away from the front of the appliance.
- Ensure you have incorporated adequate safety measure to protect infants/toddlers from touching hot surfaces.
- Even after the appliance is off, it will remain hot for an extended period of time.
- Check with your local hearth specialty dealer for safety screens and hearth guards to protect children from hot surfaces. These screens and guards must be fastened to the floor.
- **Any safety screen, guard or barrier removed for servicing the appliance, must be replaced prior to operating the appliance.**
- It is imperative that the control compartments, burners and circulating blower and its passageway in the appliance and venting system are kept clean. The appliance and its venting system should be inspected before use and at least annually by a qualified service person. More frequent cleaning may be required due to excessive lint from carpeting, bedding material, etc. The appliance area must be kept clear and free from combustible materials, gasoline and other flammable vapors and liquids.
- If the appliance shuts off, do not re-light until you provide fresh air. If appliance keeps shutting off, have it serviced. Keep burner and control compartment clean.
- Under no circumstances should this appliance be modified.
- Do not allow wind or fans to blow directly into the appliance. Avoid any drafts that alter burner flame patterns.



DANGER



HOT GLASS WILL CAUSE BURNS.

DO NOT TOUCH GLASS UNTIL COOLED.


NEVER ALLOW CHILDREN TO TOUCH GLASS.

A barrier designed to reduce the risk of burns from the hot viewing glass is provided with this appliance and must be installed for the protection of children and other at-risk individuals.


! WARNING

- Do not use a blower insert, heat exchanger insert or other accessory not approved for use with this appliance.
- This appliance must not be connected to a chimney flue pipe serving a separate solid fuel burning appliance.
- Do not use this appliance if any part has been under water. Immediately call a qualified service technician to inspect the appliance and to replace any part of the control system and any gas control which has been under water.
- Do not operate the appliance with the glass door removed, cracked or broken. Replacement of the glass should be done by a licensed or qualified service person, if equipped.
- Do not strike or slam shut the appliance glass door, if equipped.
- **Only doors / optional fronts certified with the appliance are to be installed on the appliance.**
- Keep the packaging material out of reach of children and dispose of the material in a safe manner. As with all plastic bags, these are not toys and should be kept away from children and infants.
- Carbon or soot should not occur in a vent free appliance as it can distribute into the living area of your home. If you notice any signs of carbon or soot, immediately turn off your appliance and arrange to have it serviced by a qualified technician before operating it again.
- If equipped, the screen must be in place (closed) when the appliance is in operation.
- When equipped with pressure relief doors, they must be kept closed while the appliance is operating to prevent exhaust fumes containing carbon monoxide, from entering into the home. Temperatures of the exhaust escaping through these openings can also cause the surrounding combustible materials to overheat and catch fire.
- Carbon monoxide poisoning may lead to death; early signs of carbon monoxide poisoning resemble the flu, with headache, dizziness and/or nausea. If you have these signs, the appliance may not be working properly. Get fresh air at once! Have appliance serviced. Some people; pregnant women, persons with heart or lung disease, anemia, those under the influence of alcohol, those at high altitudes are more affected by carbon monoxide than others. Failure to keep the primary air opening(s) of the burner(s) clean may result in sooting and property damage.
- As with any combustion appliance, we recommend having your appliance regularly inspected and serviced as well as having a Carbon Monoxide Detector installed in the same area to defend you and your family against Carbon Monoxide (not applicable for outdoor appliances).
- Ensure clearances to combustibles are maintained when building a mantel or shelves above the appliance. Elevated temperatures on the wall or in the air above the appliance can cause melting, discolouration or damage to decorations, a TV or other electronic components.
- **For appliances equipped with a safety barrier; if the barrier becomes damaged, the barrier shall be replaced with the manufacturer's barrier for this appliance.**
- **Installation and repair should be done by a qualified service person. It is imperative that control compartments, burners and circulating air passageways of the appliance be kept clean.**
- For outdoor products only: this appliance must not be installed indoors or within any structure that prevents or inhibits the exhaust gases from dissipating in the outside atmosphere.
- If applicable, the millivolt version of this appliance uses and requires a fast acting thermocouple. Replace only with a fast acting thermocouple supplied by Wolf Steel Ltd.

! WARNING: This product can expose you to chemicals including lead and lead compounds, which are known to the State of California to cause cancer, and chemicals including carbon monoxide, which are known to the State of California to cause birth defects or other reproductive harm. For more information, go to www.P65Warnings.ca.gov.




WARNING



FIRE RISK HAZARD / DELAYED IGNITION

High supply pressure will damage the valve / controls.



Disconnect the appliance main gas valve/control from the supply piping when pressure testing that system at pressures in excess of 1/2 psi (3.5 kPa).

Isolate the appliance with its shut off valve during any pressure testing of the supply piping at pressures equal to or less than 1/2 psi (3.5 kPa).

1.0	general information	6
1.1	combustion and ventilation air	6
1.2	rates and efficiencies	7
1.3	installation overview	7
1.4	hardware list	8
1.5	rating plate information	9
2.0	dimensions	10
3.0	location	11
4.0	framing	12
4.1	gas inlet locations	12
4.2	minimum framing dimensions	13
4.3	minimum enclosure clearances	14
4.4	minimum clearance to combustible enclosures	15
4.5	steel header installation	16
5.1	hard wiring connection	17
5.2	receptacle wiring diagram	17
5.0	electrical information	17
5.3	wiring diagram	18
5.4	transmitter installation and operation	19
5.5	control module operation	20
6.0	gas installation	21
6.1	propane cylinder specifications	21
6.2	propane gas cylinder mounting	21
7.0	operation	22
8.0	nailing tabs and strips	23
8.1	nailing tab installation (located in manual baggie)	23
8.2	nailing strip installation	23
9.0	finishing	24
9.1	birch wood log placement (BLKO36)	24
9.2	oak wood log placement (OLKO36)	26
9.3	minimum mantel clearances	28
9.4	logo placement	28
10.0	adjustments	29
10.1	venturi adjustment	29
10.2	flame characteristics	29
10.3	check pressure readings	30
11.0	maintenance	31
12.0	replacement parts	32
12.1	overview and valve train assembly	33
13.0	accessories	34
14.0	troubleshooting	35
15.0	warranty	38
16.0	service history	39

note:

The information throughout this manual is believed to be correct at the time of printing. Wolf Steel Ltd. reserves the right to change or modify any information within this manual at any time without notice. Changes, other than editorial are denoted by a vertical line in the margin.

general information

Installer, please fill out the following information:

Customer: _____
 Address: _____
 Date of Installation: _____
 Location of Appliance: _____
 Installer: _____
 Dealer/Distributor Contact Number: _____
 Serial #: _____

Model:

Natural Gas: GSS36CFNE

Propane: GSS36CFPE

1.0 general information

When the appliance is installed at elevations above 4,500ft (1372m), and in the absence of specific recommendations from the local authority having jurisdiction, the certified high altitude input rating shall be reduced at the rate of 4% for each additional 1,000ft (305m). Expansion / contraction noises during heating up and cooling down cycles are normal and to be expected. Change in flame appearance from “HI” to “LO” is more evident in natural gas than in propane.

It is highly recommended to protect the logs from moisture (i.e. rain, snow). Cover the enclosure opening when not in use.

This appliance is only for use with the type of gas indicated on the rating plate. This appliance is not convertible for use with other gases, unless a certified kit is used.

The protective wrap on plated parts is best removed when the assembly is at room temperature but this can be improved if the assembly is warmed, using a hair dryer or similar heat source. The protective wrap must be removed before operating the appliance.

This appliance is a decorative product. It is not a source of heat and not intended to burn solid fuel.



Batteries must be disposed of according to the local laws and regulations. Some batteries may be recycled, and may be accepted for disposal at your local recycling center. Check with your municipality for recycling instructions.

1.1 combustion and ventilation air

This appliance is intended for installation on an outdoor patio or in your yard. It must never be installed inside the warm air envelope of your structure.

It is highly recommended that this appliance be installed in a “sheltered” area. Direct wind will cause an erratic flame and possible pilot or main burner outage.

An erratic flame could also lead to excessive carboning (black soot) which is not a safety issue but is visually undesirable.

Typical installation may include covered patio, screened porch, gazebo or on an outside wall of a house.

If installing a propane appliance, the propane cylinder must always be on the exterior of such a structure.

Ensure the area has adequate ventilation.

important:

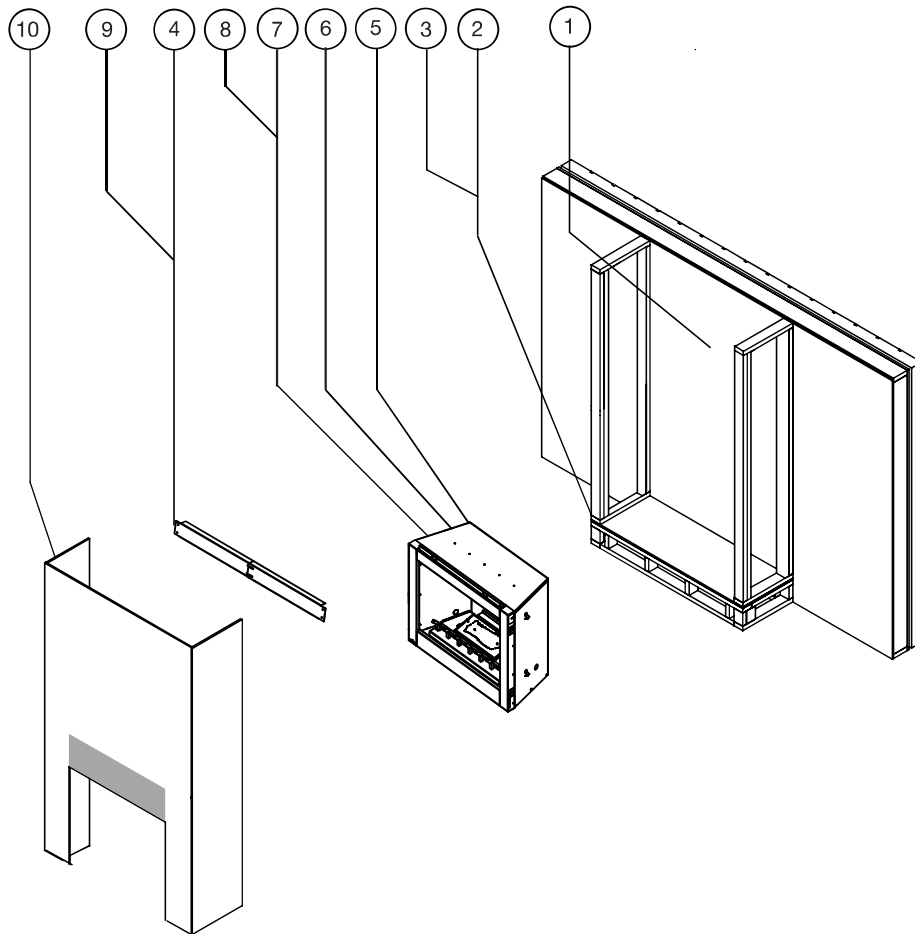
Some components and/or media are packaged separately and must be installed in accordance with the information in this manual.

1.2 rates and efficiencies

For your satisfaction, this appliance has been test-fired to assure its operation and quality.

	Natural Gas	Propane
Altitude (FT)	0-4,500	
Max. Input (BTU/HR)	40,000	
Min. Inlet Gas Supply Pressure	4.5" (11mb) w.c.	11" (27mb) w.c.
Max. Inlet Gas Supply Pressure	13" (32mb) w.c.	
Manifold Pressure (Under Flow Conditions)	3.5" (9mb) w.c.	10" (25mb) w.c.

1.3 installation overview



1. Determine the final location of the appliance (see "location" section).
2. Determine the most appropriate gas inlet location (see "gas inlet location" section).
3. Plan out appliance enclosure, framing, fronts, accessories, etc.
4. Install rough framing (see "framing" section).
5. Install all electrical wirings (refer to "electrical information" section).
6. Install gas lines (see "gas installation" section).
7. Test appliance.
8. Install nailing tabs (see "nailing tab installation" section).
9. Complete framing (see "framing" section).
10. Complete finishing (see "finishing" section).

! WARNING

- Never obstruct the front opening of the appliance.
- Objects placed in front of the appliance must be kept a minimum of 48" (121.9cm) from the front face of the appliance.
- Fire risk. Explosion hazard.
- High pressure will damage valve. Disconnect gas supply piping before pressure testing gas line at test pressures above 1/2 PSIG. Close the manual shut-off valve before pressure testing gas line at pressures equal to or less than 1/2PSIG (35mb).
- Use only Wolf Steel approved optional accessories and replacement parts with this appliance. Using non-listed accessories (blowers, doors, louvres, trims, gas components, venting components, etc.) could result in a safety hazard and will void the warranty and certification.

THIS GAS APPLIANCE SHOULD BE INSTALLED AND SERVICED BY A QUALIFIED INSTALLER

to conform with local codes. Installation practices vary from region to region and it is important to know the specifics that apply to your area, for example in Massachusetts State:

- The appliance off valve must be a "T" handle gas cock.
- The flexible connector must not be longer than 36" (91.4cm).

The installation must conform with local codes or, in absence of local codes, the National Gas and Propane Installation Code CSA B149.1 in Canada, or the National Fuel Gas Code, ANSI Z223.1 / NFPA 54 in the United States.

The appliance and its individual shutoff valve must be disconnected from the gas supply piping system during any pressure testing of that system at test pressures in excess of 1/2 psig (35 mb). The appliance must be isolated from the gas supply piping system by closing its individual manual shutoff valve during any pressure testing of the gas supply piping system at test pressures equal to or less than 1/2 psig (35 mb). When installed with a blower or fan, the junction box must be electrically connected and grounded in accordance with local codes. In the absence of local codes, use the current CSA C22.1 Canadian Electrical Code in Canada or the ANSI / NFPA 70 National Electric Code in the United States. In the case where the blower is equipped with a power cord it must be connected into a properly grounded receptacle. The grounding prong must not be removed from the cord plug.

When the appliance is installed directly on combustible material other than wood flooring, the appliance shall be installed on a metal or wood panel extending the full width and depth.

Solid fuels shall not be burned in this appliance.

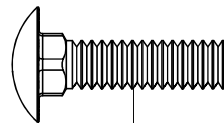


We suggest that our gas hearth products be installed and serviced by professionals who are certified in the U.S. by the National Fireplace Institute® (NFI) as NFI Gas Specialists

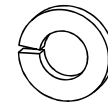
1.4 hardware list



1



2



3

	DESCRIPTION	PART NUMBER	QUANTITY
1	Nut, Hex #10-24	W450-0014	3
2	Bolt, #10-24 Carriage	W065-0027	3
3	Washer, 1/4 Lock	W735-0001	3

note:

Only fasteners supplied with the appliance are illustrated.

1.5 rating plate information

Certified to Canadian and American National Standards: **CSA 2.22-XXXX / ANSI Z21.50-XXXX for Vented Decorative Gas Appliances**
 Certifié selon les normes Nationales Canadiennes et Américaines: **CSA 2.22-XXXX / ANSI Z21.50-XXXX pour les Appareils à gaz décoratif à évacuation**

Direct vent, vented gas fireplaces. Approved for bedroom, bathroom and bed-sitting room installation, Suitable for mobile home installation, if installed in accordance with the current standard CAN / CSA Z240MH Series gas equipped mobile homes in Canada, or, in the United States, the *Manufactured Home Construction and Safety Standard, Title 24 CFR, Part 3280*. When this US Standard is not applicable, use the *Standard for Fire Safety Criteria for Manufactured Home Installations, Sites and Communities, ANSI / NFPA 501A*. This appliance must be installed in accordance with local codes, if any; if none, follow the current ANSI Z223.1 or CSA B149. **For use with barrier WXXX-XXXX. Follow installation instructions.**
 Foyer à gaz ventilé, Homologué pour installation dans une chambre à coucher, une salle de bain et un studio, Approprié pour installation dans une maison mobile si son installation conforme aux exigences de la norme CAN / CSA Z240MH Série de maisons mobile équipées au gaz en vigueur au Canada, ou, aux États-Unis selon la norme *24 CFR, Part 3280, Manufactured Home Construction and Safety Standard*. Dans le cas où cette norme d'États-Unis n'est pas pertinente, utiliser la norme *NFPA 501A, Fire Safety Criteria for Manufactured Home Installations, Sites and Communities*. Installer l'appareil selon les codes ou règlements locaux ou, en l'absence de tels règlements, selon les codes d'installation ANSI Z223.1 ou CSA B149 en vigueur. **Utiliser uniquement avec l'écran WXXX-XXXX. Suivre les instructions d'installation.**

9700539 (WSL) 4001658 (NAC) 4001657 (NGZ) 4001659 (WUSA)

MODEL / MODÈLE
 XXXX XXXX XXXX XXXX
 XXXX XXXX XXXX XXXX

Altitude 0-XXXXft (0-XXXXm) XXXX XXXX XXXX XXXX
 Input XX,XXX XX,XXX XX,XXX XX,XXX
 Reduced input XX,XXX XX,X% XX,XXX XX,X%

Manifold Pressure: 3.5" w.c. (NG) **Manifold Pressure:** 10" w.c. (P)
Minimum Supply Pressure: 4.5" w.c. (NG) **Minimum Supply Pressure:** 11" w.c. (P)
Maximum Supply Pressure: 7" w.c. (NG) **Maximum Supply Pressure:** 13" w.c. (P)

Pression au Collecteur: 3.5" d'une colonne d'eau (GN) **Pression au Collecteur:** 10" d'une colonne d'eau (P)
Pression d'Alimentation Min: 4.5" d'une colonne d'eau (GN) **Pression d'Alimentation Min:** 11" d'une colonne d'eau (P)
Pression d'Alimentation Max: 7" d'une colonne d'eau (GN) **Pression d'Alimentation Max:** 13" d'une colonne d'eau (P)
 ** Maximum inlet pressure not to exceed 13". ** Pression d'alimentation maximale ne doit pas dépasser 13".

Minimum clearance to combustible materials: **Dégagements minimaux des matériaux combustibles:**
 Top, sides & back: per standoff spacers for framing and finishing materials. For non-combustible framing and finishing materials, see installation manual.
 Dessus, côtés et arrière: selon les espaces de dégagements pour les matériaux d'ossature selon le manuel du propriétaire pour les matériaux de finition, pour les matériaux de finition, voir le manuel d'installation.
 Top X" **Dessus X"**
 Floor X" **Plancher X"**
 Sides X" **Côtés X"**
 Back X" **Arrière X"**
 Vent top X" **Dessus du conduit d'évent X"**
 Vent sides & bottom X" **Côtés et dessous du conduit d'évent X"**
 Recessed depth X" **Profondeur d'encastrement X"**
 *** Mantel X" from appliance opening ***** Tablette X" de l'ouverture de l'appareil**
 ** Maximum horizontal extension: X" **** Extension horizontale maximale: X"**
 See installation manual for greater extensions, minimum vent lengths and maximum vent lengths. **Référez au manuel d'installation pour des extensions plus grandes, les longueurs d'évacuation minimales et maximales.**
 Electrical rating: 110V, 60Hz, Less than 12 ampere. **Spécifications électriques: 110V, 60Hz, Moins de 12 ampère.**

VENTED DECORATIVE GAS APPLIANCE: NOT A SOURCE OF HEAT, NOT INTENDED FOR USE AS A HEATING APPLIANCE, NOT FOR USE WITH SOLID FUEL.
APPAREIL À GAZ DÉCORATIF À ÉVACUATION: N'EST PAS UNE SOURCE DE CHALEUR; N'EST PAS DESTINÉ À ÊTRE UTILISÉ COMME UN APPAREIL DE CHAUFFAGE; NE CONVIENT PAS AUX COMBUSTIBLES SOLIDES.

FOR USE WITH GLASS DOORS CERTIFIED WITH THIS APPLIANCE ONLY. POUR UTILISATION UNIQUEMENT AVEC LES PORTES EN VERRE CERTIFIÉES AVEC L'APPAREIL.

For natural gas when equipped with No. XX drill size orifice.
 For propane when equipped with No. XX drill size orifice.
 Convient au gaz naturel quand l'appareil est muni d'un injecteur de diamètre no. XX.
 Convient au propane quand l'appareil est muni d'un injecteur de diamètre no. XX.

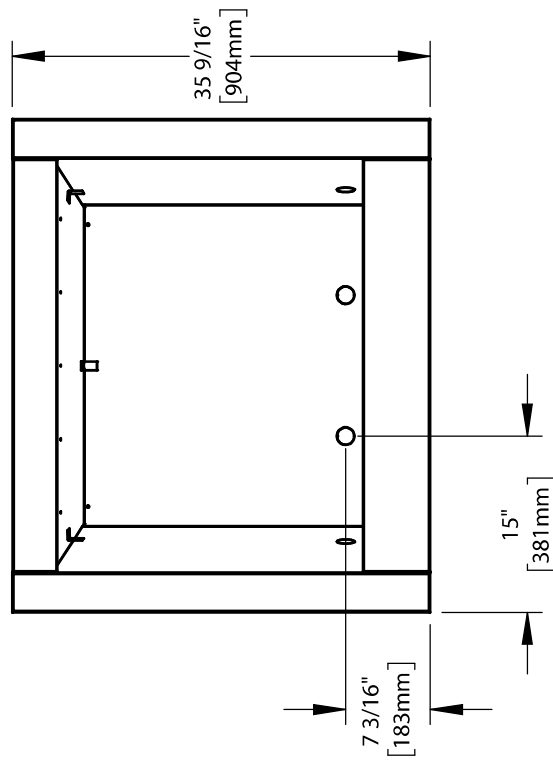
WARNING: Do not add any material to the appliance which will come in contact with the flames, other than that supplied by the manufacturer with the appliance.
AVERTISSEMENT: N'ajoutez pas à cet appareil aucun matériau devant entretenir contact avec les flammes autre que celui qui est fourni avec cet appareil par le fabricant.
 The appliance must be vented using the appropriate Napoleon vent kits. See installation manual for venting specifications. Proper reinstallation and resealing is necessary after servicing the vent-air intake system.
 L'appareil doit être ventilé à l'aide de l'ensemble d'évacuation propre à Napoleon. Référez au manuel d'installation pour les spécifications d'évacuation. Il est nécessaire de bien réinstaller et resceller l'évacuation après avoir exécuté l'entretien du système de prise d'air.

Serial Number / N° de Série: **XXXX** **W385-XXXX**

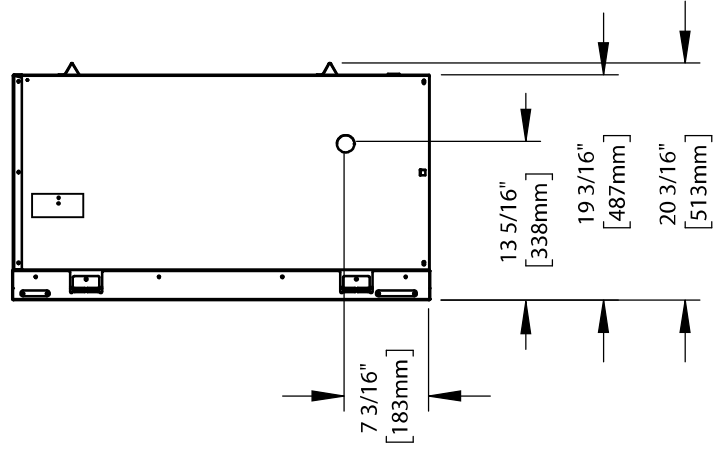
WOLF STEEL LTD. 24 Napoleon Road, Barrie, ON, L4M 0G8 Canada

note:
 The rating plate must remain with the appliance at all times. It must not be removed.

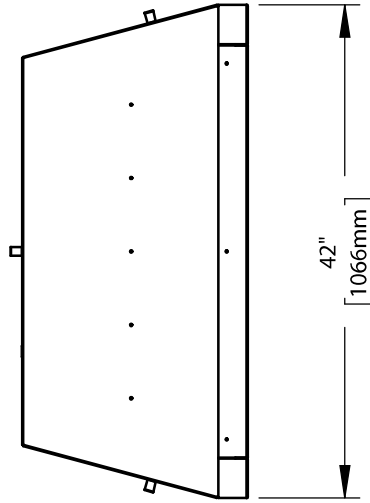
front view



right side view



top view



It is important when selecting a location for your appliance to ensure clearances to adjacent combustibles are met. This appliance is intended for installation on an outdoor patio or in your yard. It is highly recommended that this appliance be installed in a sheltered area (following the guidelines outlined below). Direct wind will cause an erratic flame and possible pilot or main burner outage. An erratic flame could also lead to excessive carboning (black soot), which is not a safety issue but is visually undesirable.

note:

When choosing a location for your appliance, care must be taken to avoid areas where excessive moisture or running water may be a problem.

Any enclosure (shelter) in which the appliance is used must comply with one of the following:

With walls on all sides, but at least one permanent opening at ground level and no overhead cover (FIG. 1).

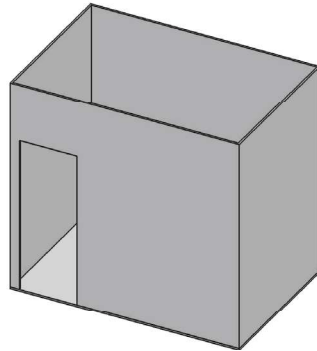


FIG. 1

Within a partial enclosure which includes an overhead cover and no more than two sidewalls. These sidewalls may be parallel, as in a breezeway, or at right angles to each other (FIG. 2).

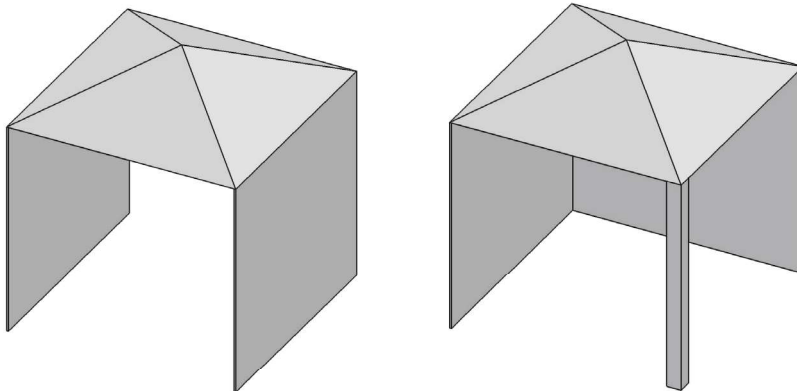


FIG. 2

Within a partial enclosure which includes an overhead cover and three sidewalls, as long as 30 percent or more of the horizontal periphery of the enclosure is permanently open (FIG.3).

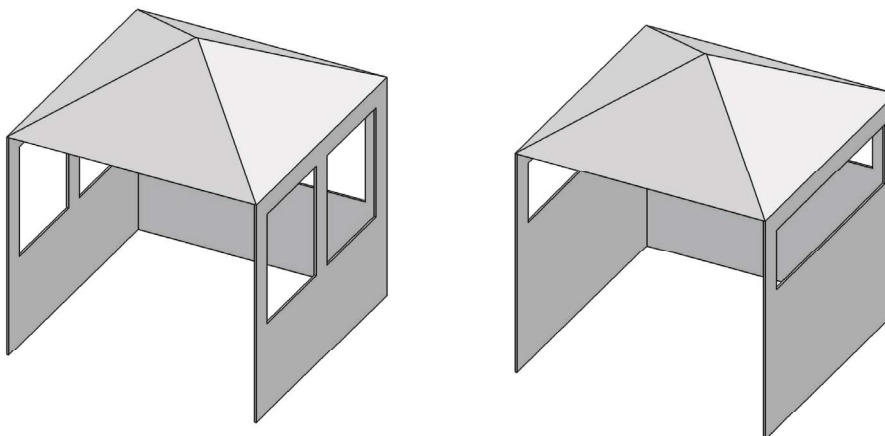


FIG. 3

4.0 framing

note:

When using optional finishing accessories, the framing dimensions and finishing materials may differ from what is outlined in the section below; refer to the leaflet instructions supplied in the accessory kit for specific framing and finishing specifications.

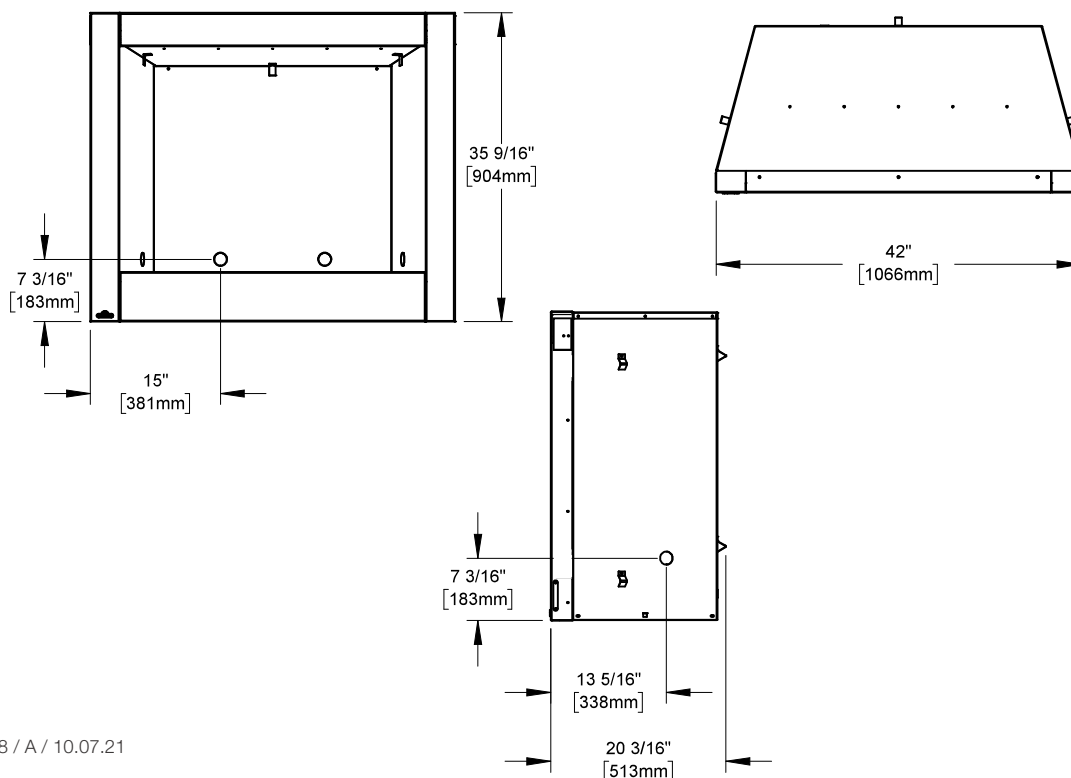
! WARNING

- Risk of fire!
- In order to avoid the possibility of exposed insulation or vapour barrier coming in contact with the appliance body, it is recommended that the walls of the appliance enclosure be “finished” (i.e. drywall / sheetrock), as you would finish any other outside wall of a home. This will ensure that clearance to combustibles is maintained within the cavity.
- Do not notch the framing around the appliance stand offs. Failure to maintain air space clearance may cause over heating and fire. Prevent contact with sagging or loose insulation or framing and other combustible materials. Block opening into the chase to prevent entry of blown-in insulation. Make sure insulation and other materials are secured.
- When constructing the enclosure, allow for finishing material thickness to maintain clearances. Framing or finishing material closer than the minimums listed must be constructed entirely of non-combustible materials. Materials consisting entirely of steel, iron, brick, tile, concrete, slate, glass or plasters, or any combination thereof are suitable. Materials that are reported as passing ASTM E136, standard test method for behaviour of materials in a vertical tube furnace at 1382°F (750°C) and UL763 shall be considered non-combustible materials.
- Minimum clearance to combustibles must be maintained or a serious fire hazard could result.
- The appliance requires a minimum enclosure height. Measure from the appliance base.
- If steel stud framing kits with cement board are provided, or specified in the installation instructions, they must be installed.
- If specified in the installation instruction, finishing must be done using a non-combustible board, ceramic tile, marble, etc. Do **NOT** use wood or drywall. Any fire rated drywall is **not** acceptable.

It is recommended that the walls of the appliance enclosure be finished. This would ensure that clearance to combustibles is maintained within the cavity. It is best to frame your appliance after it is positioned. Use 2x4's and frame to local building codes.

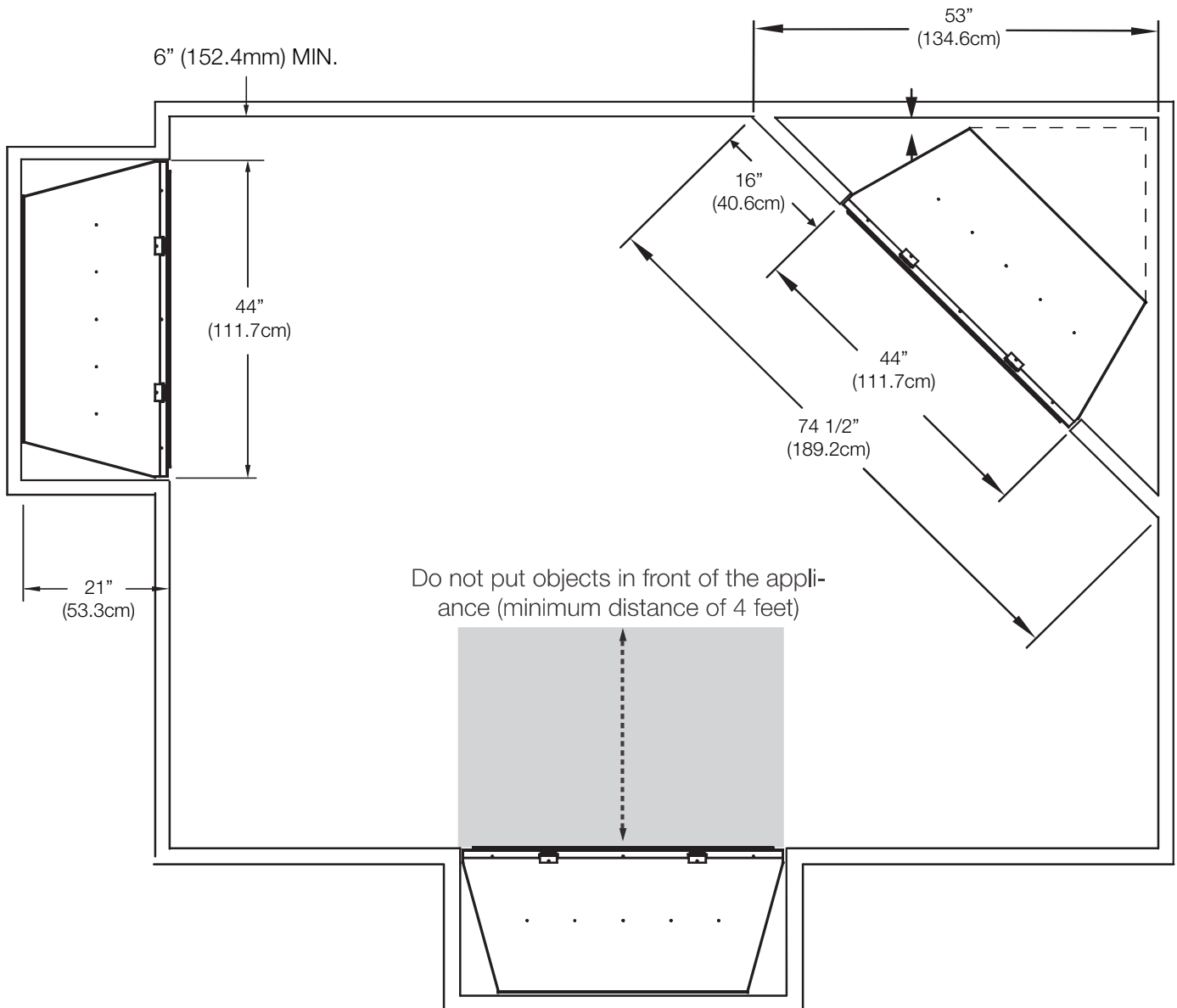
4.1 gas inlet locations

There are five gas inlet locations on the ventless firebox enclosure: one on each side of the appliance, two at the rear, and one on the bottom. Use the following illustrations to identify the preferred inlet and then remove the corresponding knock out.

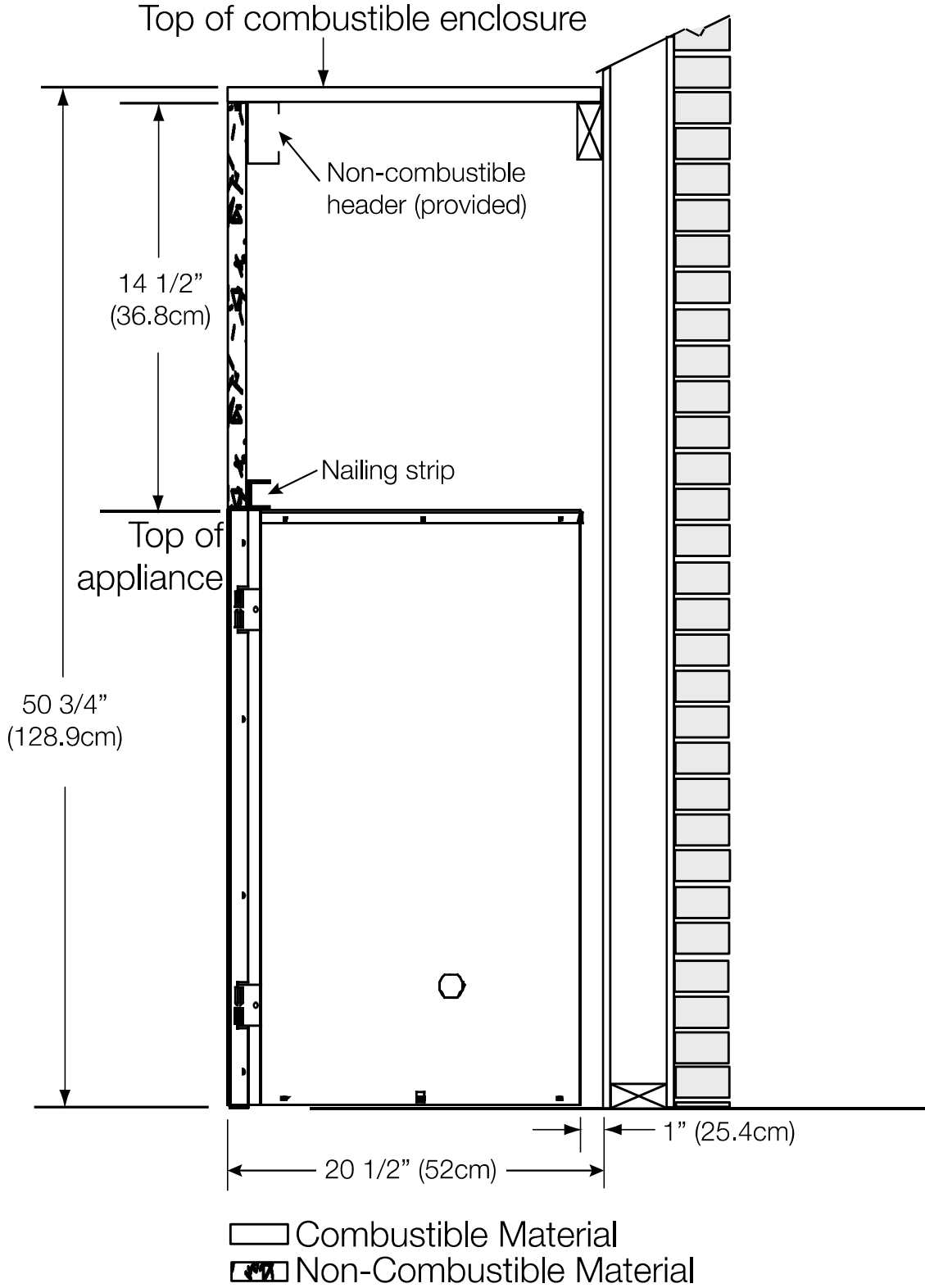


4.2 minimum framing dimensions

Minimum clearance to combustibles construction from appliance and vent surfaces:	
Framing	0" (0mm) to stand-offs (rear and sides only) Use a combustible header for the top and two side combustible studs
Finishing	1" (25mm) to back and sides
Non-combustible finishing	14 1/2" (36.8cm) from the top of the appliance
Recessed depth	20 1/2" (52cm)
Enclosure top	50 3/4" (128.9cm) from bottom of appliance
Clearance to ceiling	72" (182.8cm) from bottom of appliance.

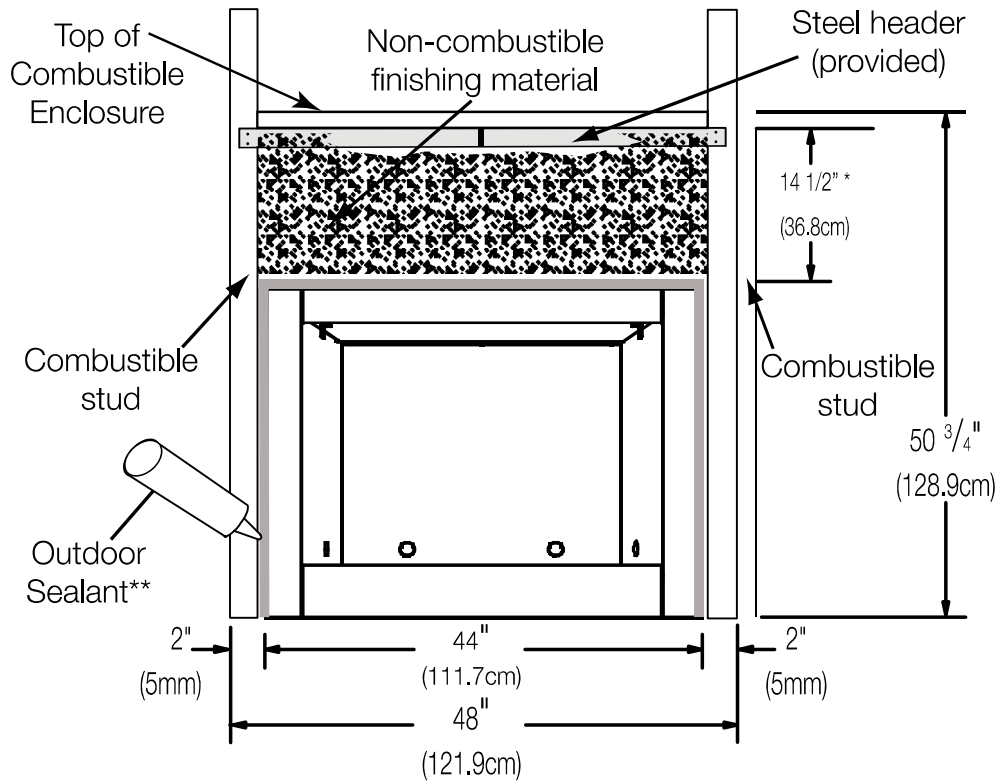


4.3 minimum enclosure clearances



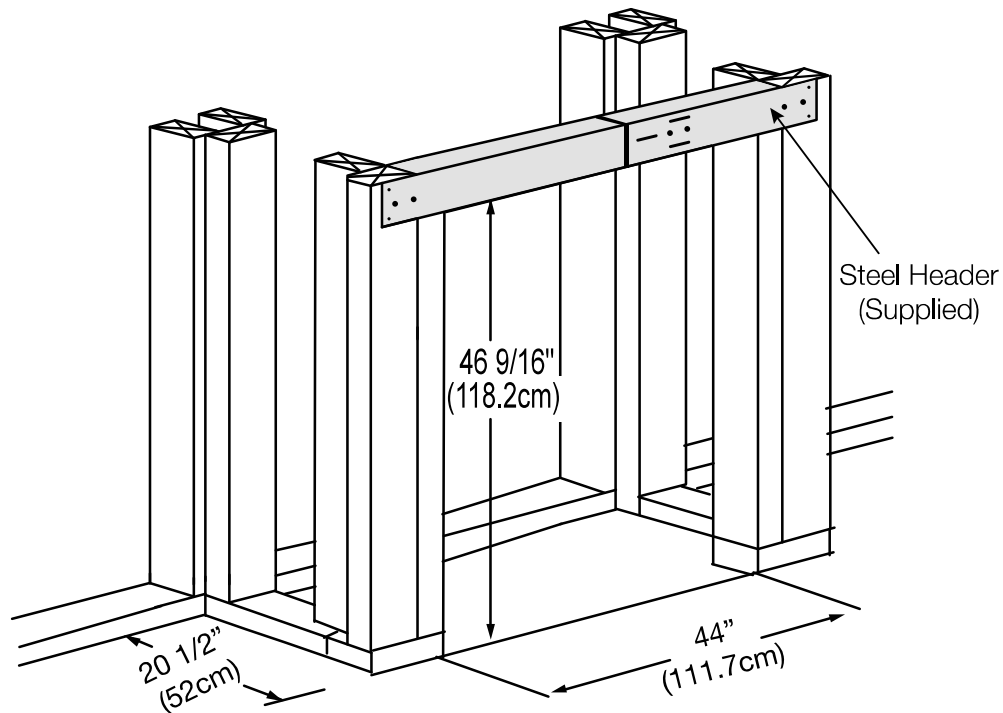
This appliance requires a minimum enclosure height of 50 3/4" (128.9cm).
 For temperature requirements, the enclosure space around and above the appliance must be left unobstructed.

4.4 minimum clearance to combustible enclosures



* From top of appliance.

** An outdoor sealant must be used along the edge of the appliance and the non-combustible material to keep water from entering the chase.



4.5 steel header installation

1. Slide the 2 steel header pieces together, ensuring to align the 3 slots (FIG. 4).

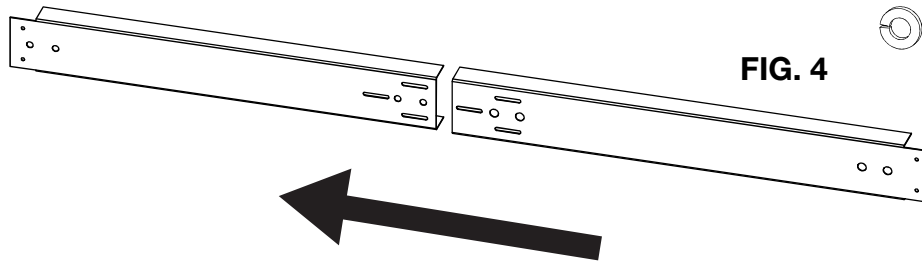


FIG. 4

 Type 1 (x3)

 Type 2 (x3)

 Type 3 (x3)

2. Insert the 3 supplied bolts (Type 2) through the 3 slots (FIG. 5).

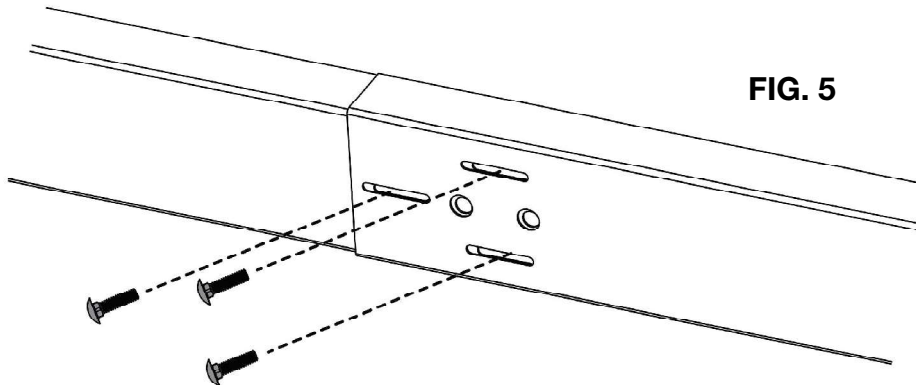


FIG. 5

3. Secure the 3 nuts (Type 1) and the 3 washers (Type 3) to the back of the bolts (FIG. 6).

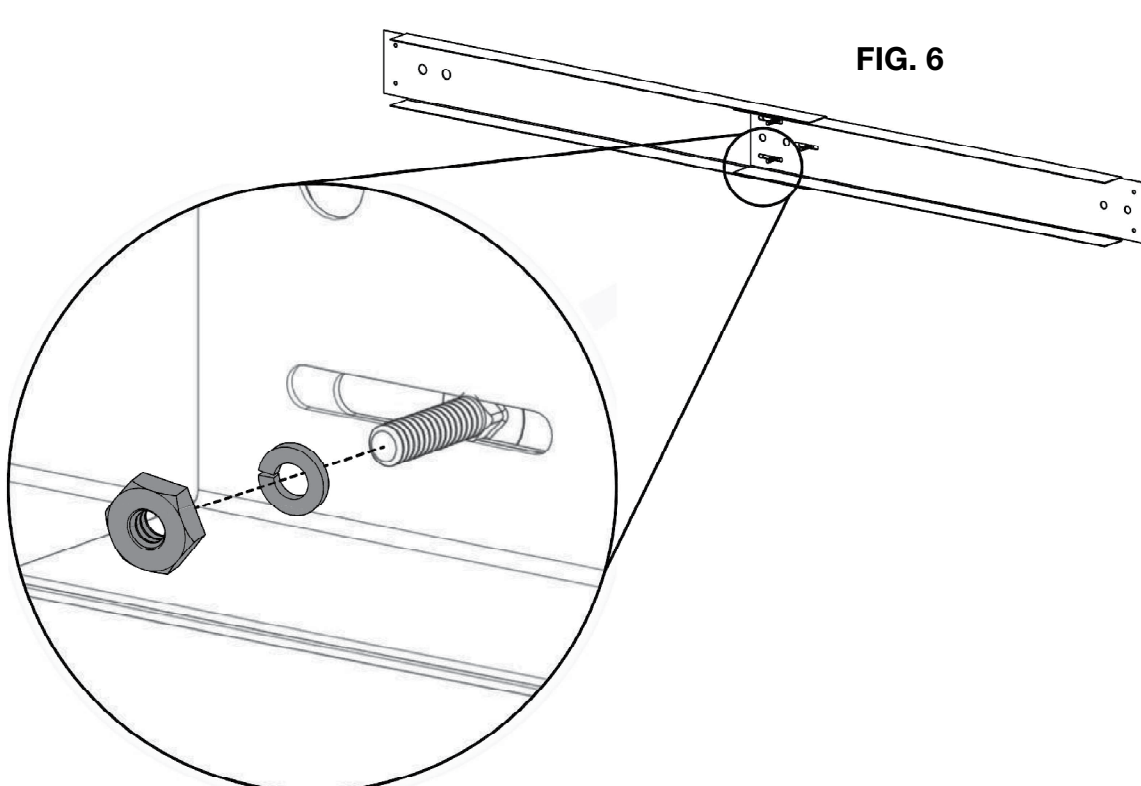


FIG. 6

Reverse Side View

5.1 hard wiring connection

It is necessary to hard wire this appliance.

This appliance must be electrically connected and grounded in accordance with local codes. In the absence of local codes, use the current CSA C22.1 Canadian Electrical Code in Canada or the ANSI/NFPA 70 National Electrical Code in the United States.

5.2 receptacle wiring diagram

! WARNING

- Do not use this appliance if any part has been under water. Call a qualified service technician immediately to have the appliance inspected for damage to the electrical circuit.
- Risk of electrical shock or explosion. Do not wire 110V to the valve or to the appliance wall switch. Incorrect wiring will damage controls.
- All wiring should be done by a qualified electrician and shall be in compliance with local codes. In the absence of local codes, use the current CSA22.1 Canadian Electric Code in Canada or the current National Electric Code ANSI/NFPA NO. 70 in the United States.

- Remove the two screws that secure the junction box assembly to the outer shell on the left side of the appliance and remove the junction box assembly.
- Remove the one screw that secures the junction box to the junction box plate and slide off the clip.
- Route the supply wire through the 7/8" (22.2mm) hole of the junction box plate with a box connector (not supplied).
- Connect the 120 volt supply wire to the receptacle as per the current CSA C22.1 Canadian Electrical Code in Canada or the current ANSI/NFPA 70 National Electrical Code in the United States.
- Once the wiring is complete, re-install the junction box to the junction box plate and re-secure the screw that was removed in step B.
- Re-install the junction box assembly by reversing step A making sure all plugs are secure in the junction box.

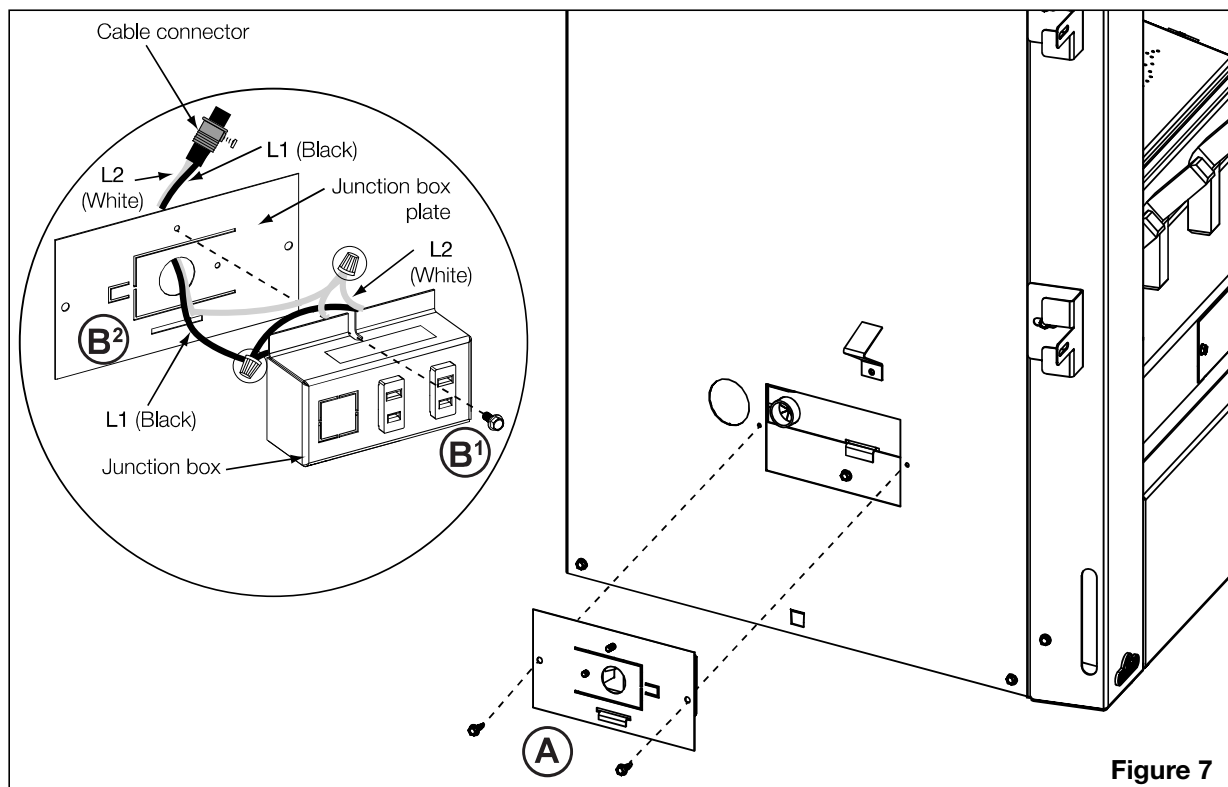


Figure 7

⚠ WARNING

- Do not wire 110 volts to the valve or wall switch.

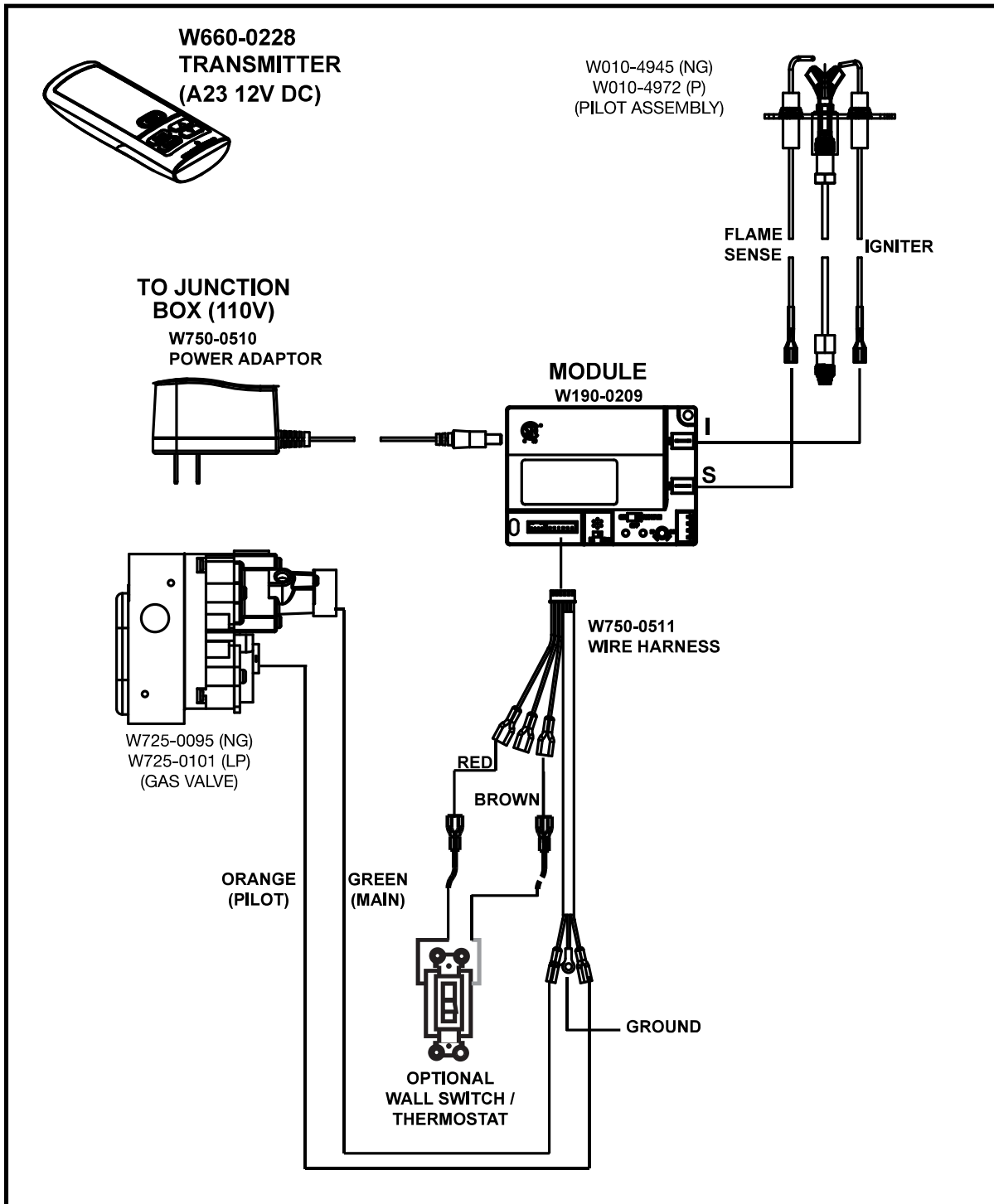


Figure 8

5.4 transmitter installation and operation

A transmitter comes standard with this appliance and can be found in the manual baggie. This control is designed to turn your appliance “ON” and “OFF”.

Placement of the transmitter may affect performance. This control should be in the same space as the appliance and used to operate the appliance only when it is within sight. The control must be placed within 30 feet of the appliance and under weather resistant cover when used in exterior applications.

! WARNING

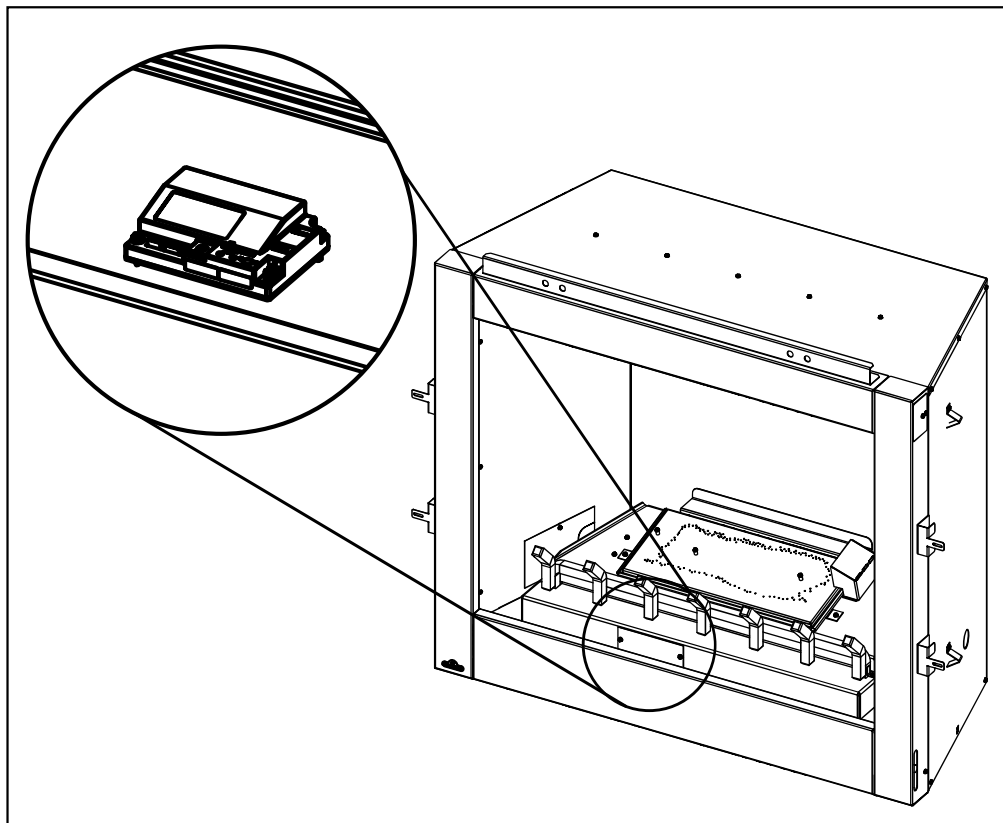
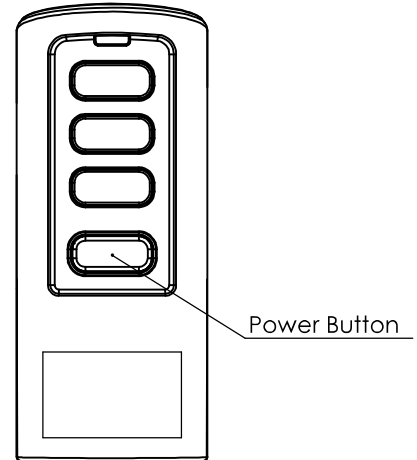
- Risk of burns! Ensure appliance is cool before starting this process.

Initializing the transmitter for the first time:

- Remove the battery cover from the back of the transmitter and install A23 battery as indicated (+/-)
- Locate the control module in the appliance (**Figure 10**).
- Move the ON/OFF/REMOTE selector switch to the REMOTE position. Control module will beep once when ready (**Figure 9**).
- Using a small item (such as a paper clip) press and release the “LEARN” button located near the selector switch (**Figure 9**).
- The control module will beep once and the “STATUS” light will blink green for 10 seconds.
- While the light is blinking, press the power button on the transmitter. The module will beep twice to indicate that the connection is successful.

note:

To clear the memory of the control module, use a paper clip to press and release the “LEARN” button. The module will beep once and the “STATUS” light will blink green for 10 seconds. Do not press any buttons on the transmitter during this period and the memory will be cleared.



(Figure 10)

! WARNING

- **Risk of Explosion! DO NOT** reset the module more than once within a five-minute time period. Gas may accumulate in firebox. Call a qualified service technician.

Figure 9

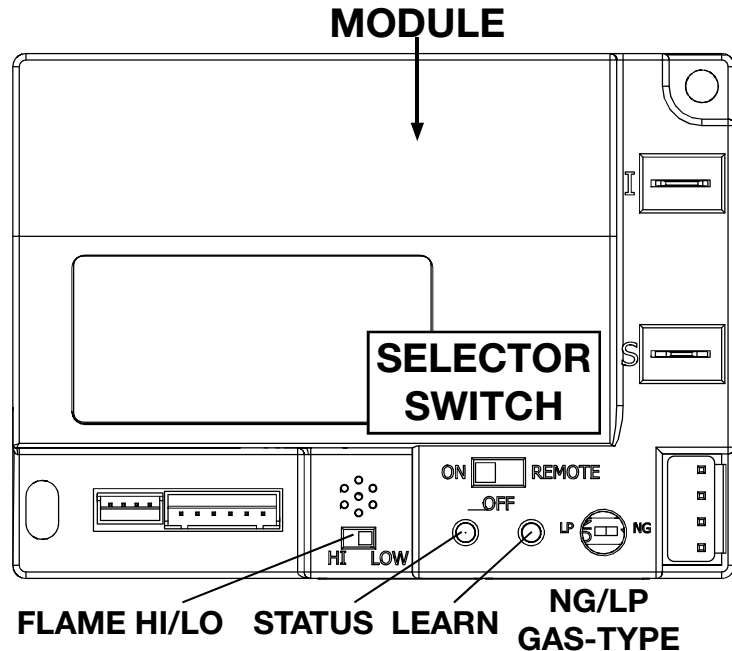
1. The control module has an ON/OFF/REMOTE selector switch that must be set (see Figure 9).

OFF Position: Appliance will ignore all power inputs and will not respond to any commands from a wall switch or transmitter. The unit should be in the OFF position during installation, service, fuel conversion, and if the control goes into LOCK-OUT mode as a result of an error code.

ON Position: Appliance will ignite and run continuously. This mode of operation is primarily used for initial installation.

REMOTE Position: Appliance will initiate commands from an optional wall switch and/or the wireless transmitter.

2. If you intend to use both an optional wired wall switch and the transmitter to operate your fireplace, the wall switch will override any commands given by the transmitter.
3. **Module Reset:** This module may lock-out under certain conditions. When this occurs, the appliance will not ignite or respond to commands. The module will go into lock-out mode by emitting three audible beeps, then continuously displaying a RED/GREEN error code at its status indicator LED.



- Turn the gas manual shut-off valve clockwise to the “OFF” position. (Shut-off valve is located on the flex connector).
 - Set the module selector switch to the OFF position.
 - Wait five (5) minutes to allow possible accumulated gas to clear.
 - Turn the manual shut-off valve counterclockwise to the “ON” position
 - Set the module selector switch to ON or REMOTE position.
 - Start the appliance.
4. **Setting the Child Lock:** Slide the battery cover down from the back of the transmitter. Slide the child lock switch to enable or disable the child lock feature.

note:

No functions will be usable until child lock feature is disabled.

WARNING

- Risk of fire, explosion, or asphyxiation. Ensure there are no ignition sources such as sparks or open flames.
- Support gas control when attaching gas supply pipe to prevent damaging gas line.
- Purging of the gas supply line should be performed by a qualified service technician. Ensure that a continuous gas flow is at the burner before closing the door. Ensure adequate ventilation. For gas and electrical locations, see “appliance dimensions” section.
- All gas connections must be contained within the appliance when complete.
- High pressure will damage valve. Disconnect gas supply piping before testing gas line at test pressures above 1/2 PSIG.
- Valve settings have been factory set, do not change.

Installation and servicing to be done by a qualified installer.

- Move the appliance into position and secure.
- If equipped with a flex connector, the appliance is designed to accept a 1/2” (13mm) gas supply. Without the connector, it is designed to accept a 3/8” (9.5mm) gas supply. The appliance is equipped with a manual shut off valve to turn off the gas supply to the appliance.
- Connect the gas supply in accordance to local codes. In the absence of local codes, install to the current CAN/CSA-B149.1 Installation Code in Canada or to the current National Fuel Gas Code, ANSI Z223.1 / NFPA 54 in the United States.
- When flexing any gas line, support the gas valve so that the lines are not bent or kinked.
- The gas line flex-connector should be installed to provide sufficient movement for shifting the burner assembly on its side to aid with servicing components.
- Check for gas leaks by brushing on a soap and water solution. **Do not use open flame.**

After installing the electrical wiring and gas lines, ensure to test the appliance before finishing the framing and finishing the appliance.

6.1 propane cylinder specifications

WARNING

- If these instructions are not followed exactly, a fire causing death or serious injury may occur.
- A fire will result if the gas supply hose makes contact with the underside of the appliance.

A dented or rusty cylinder may be hazardous and should be checked by your propane supplier. Never use a cylinder with a damaged valve. The propane gas supply cylinder must be constructed and marked in accordance with the U.S. D.O.T. Specifications for Propane Gas Cylinders or the Standard for Cylinders, Spheres and Tubes for Transportation of Dangerous Good and Commission, CAN/CSA-B339, as applicable.

This appliance has been designed for use with a 20lb (9.1kg) or 30lb (13.6kg) size propane cylinder only (not supplied).

The propane gas supply cylinder must be provided with a cylinder-connection device compatible with the connection for the appliance. The propane cylinder must be provided with a shut-off valve terminating in a propane cylinder valve type QCC1, and a safety relief device having direct communication with the vapour space of the cylinder. The cylinder supply system must be arranged for vapour withdrawal and the cylinder shall include a collar to protect the cylinder valve. The propane gas cylinder must be provided with a listed overfill protection device (OPD). Do not store a spare propane gas cylinder under or near this appliance. Never fill the cylinder beyond 80 percent full.

Use only the pressure regulator and hose assembly provided with this appliance. Replacement pressure regulators and hose assemblies must be specified by the manufacturer. The regulator supplies a pressure of 11 inches water column to the appliance and has a QCC1 type fitting. Cylinders to be used with this appliance must be supplied with QCC1 cylinder valve. A QCC1 cylinder has a positive seating connection, which will not allow gas flow until a positive seal has been achieved. It is also equipped with an excess flow device. In order to attain full flow to the appliance, the valve must be in the off position when the cylinder valve is turned on.

6.2 propane gas cylinder mounting

To prevent the propane gas cylinder from tipping over, ensure the cylinder support ring is on a level surface. Place the cylinder into the support ring and tighten the thumb screw to secure.

7.0 operation

WARNING

- If you do not follow these instructions exactly, a fire or explosion may result causing property damage, personal injury, or loss of life.
- If applicable, always light the pilot whether for the first time or if the gas supply has run out with the glass door opened or removed.

Ensure that a continuous gas flow is at the burner before installing the door. When lit for the first time, the appliance will emit an odor for a few hours. This is a normal temporary condition caused by the “burn-in” of paints and lubricants used in the manufacturing process and will not occur again. After extended periods of non-operation, such as, following a vacation or warm weather season, the appliance may emit a slight odor for a few hours. This is caused by dust particules in the heat exchanger burning off. In both cases, open a window to sufficiently ventilate the room.

FOR YOUR SAFETY READ BEFORE LIGHTING

- Do not turn on if children or other at risk individuals are near the appliance.
- This appliance is equipped with an ignition device which automatically lights the pilot. Do not try to light the pilot by hand.
- Before operating, smell all around the appliance area for gas and next to the floor because some gas is heavier than air and will settle on the floor.
- Do not use this appliance if any part has been under water. Immediately call a qualified service technician to inspect the appliance and replace any part of the control system and any gas control which has been underwater.

WHAT TO DO IF YOU SMELL GAS

- Turn off all gas to the appliance.
- Open windows.
- Do not try to light any appliance.
- Do not touch any electric switch; do not use any phone in your building
- Immediately call your gas supplier from a neighbour's phone. Follow the gas supplier's instructions.
- If you cannot reach your gas supplier, call the fire department.

LIGHTING INSTRUCTIONS

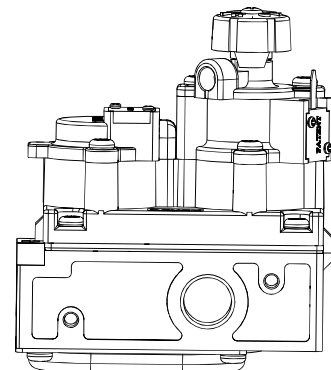
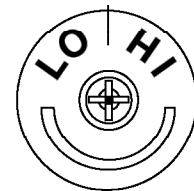
note:

This appliance is equipped with an ignition device which automatically lights the pilot. Do not try to light the pilot by hand.

- Stop! Read the above safety information on this label.
- Remove batteries from the transmitter and set thermostat to lowest setting, if equipped.
- Turn off all electrical power to the appliance.
- Open the glass door, if equipped.
- Turn the manual shut-off valve clockwise to the “OFF” position. (Shut-off valve is located on the flex connector).
- Wait five (5) minutes to clear out any gas. If you smell gas including near the floor, **STOP!** Follow the instructions above in the “WHAT TO DO IF YOU SMELL GAS” section. If you don't smell gas; close the glass door and go to the next step.
- Turn the manual shut-off valve counter clockwise to the “ON” position.
- Turn on all electrical power to the appliance and re-install the batteries into the transmitter. Set thermostat to desired setting, if equipped.
- Turn on the remote wall switch to the appliance.
- If the appliance will not operate, follow instructions “TO TURN OFF GAS” and call your service technician or gas supplier.

TO TURN OFF GAS

- Set thermostat to lowest setting, if equipped.
- Turn off the remote wall switch to the appliance.
- Turn off all electric power to the appliance if service is to be performed.
- Turn manual shutoff valve clockwise to the “OFF” positon. Do not force.

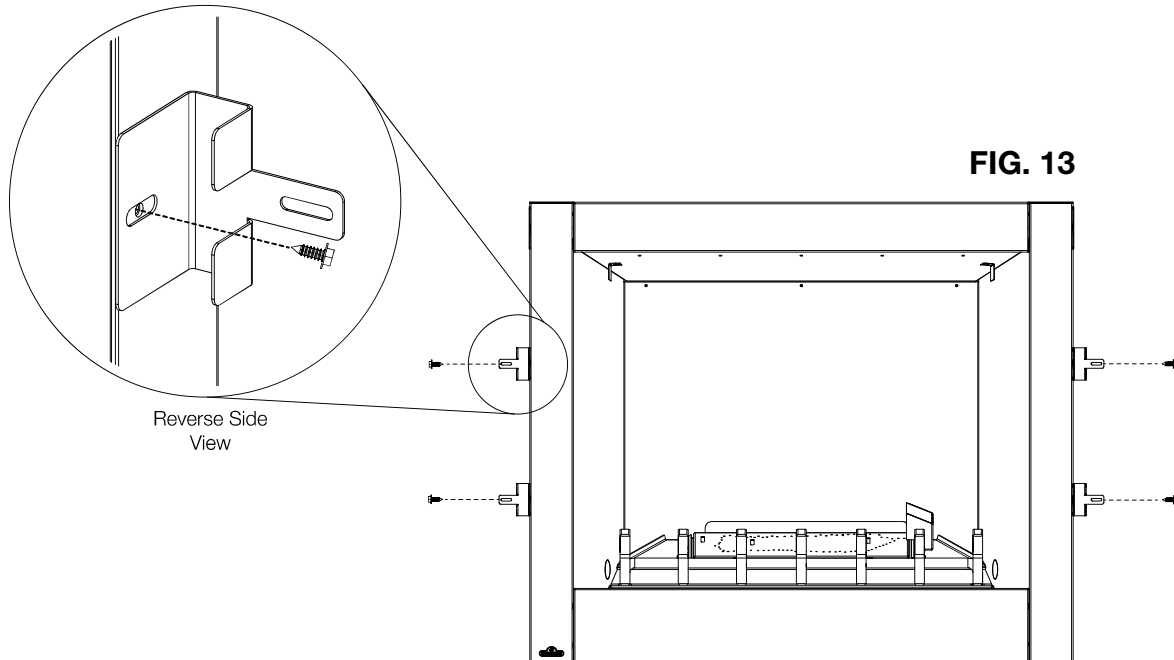


8.1 nailing tab installation (located in manual baggie)

1. To install the appliance face flush with the finished surface, position the framework to accommodate the thickness of the finished surface.
2. Remove the 4 screws (FIG. 13).
3. Install the 4 nailing brackets on both sides of the appliance, and secure to the 2x4 framing.

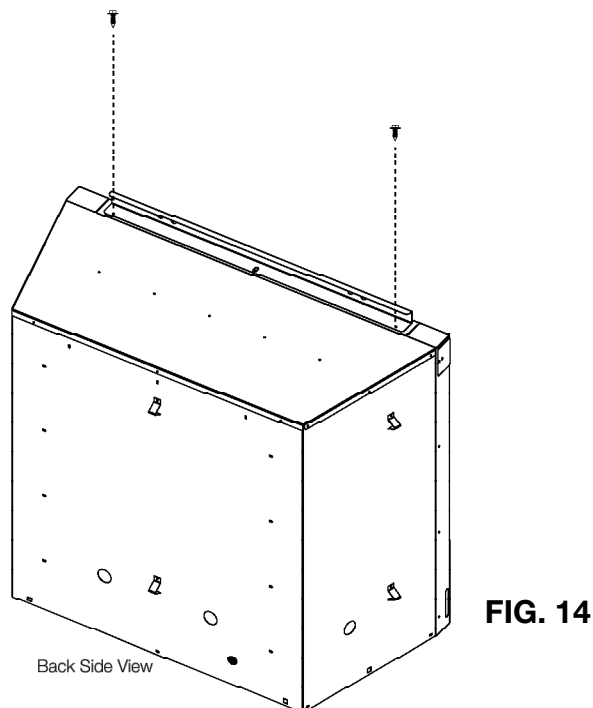
note:

The tabs will facilitate the installation of either a 1/2" (12.7mm) or 3/4" (19.1mm) finished surface thickness.



8.2 nailing strip installation

1. Remove the nailing strip from the back side of the carton sleeve.
2. Remove the 2 screws from the outer top edges of the nailing strip.
3. Place the nailing strip in place and secure with the 2 previously removed screws (FIG. 14).



9.0 finishing

9.1 birch wood log placement (BLK036)

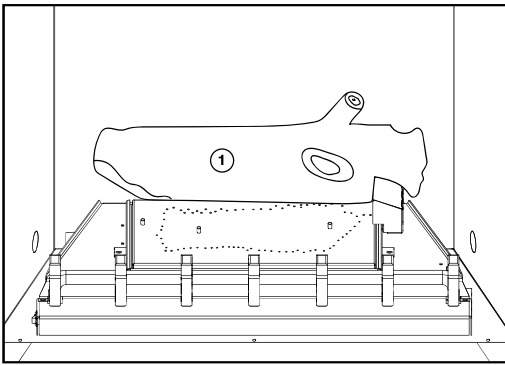
! WARNING

- Failure to position the logs in accordance with these diagrams or failure to use only logs specifically approved with this appliance may result in property damage or personal injury.
- Logs must be placed in their exact location in the appliance. Do not modify the proper log positions, since appliance may not function properly and delayed ignition may occur.
- The logs are fragile and should be handled with care.

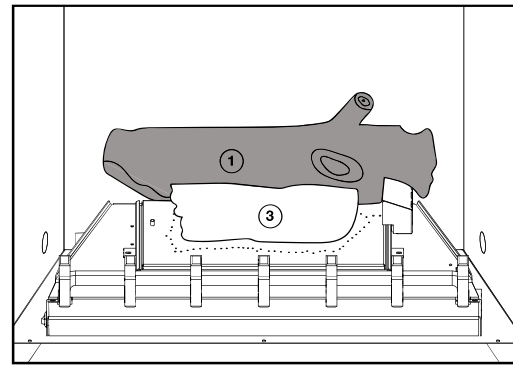
PHAZER™ logs and glowing embers, exclusive to Napoleon, provide a unique and realistic glowing effect that is different in every installation. Take the time to carefully position the glowing embers for a maximum glowing effect. Log colours may vary. During the initial use of the appliance, the colours will become more uniform as colour pigments burn in during the heat-activated curing process. Blocked burner ports can cause an incorrect flame pattern.

note:

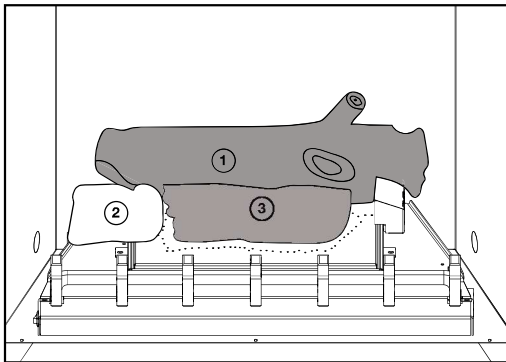
Log numbers are located on the bottom or back of the logs.



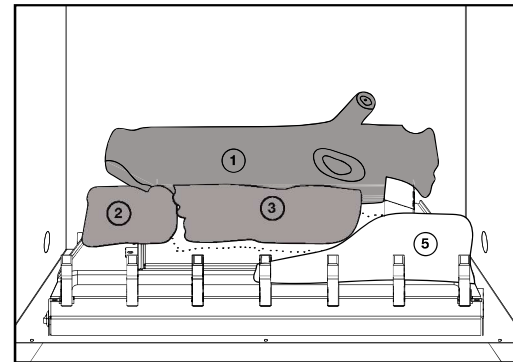
- 1.** Place log #1 on the rear bracket, ensuring the notch on the right side of the log fits around the pilot shield. Do not cover any burner ports.



- 2.** Place the two holes in log #3 on the two studs located in the center of the burner. Do not cover any burner ports.

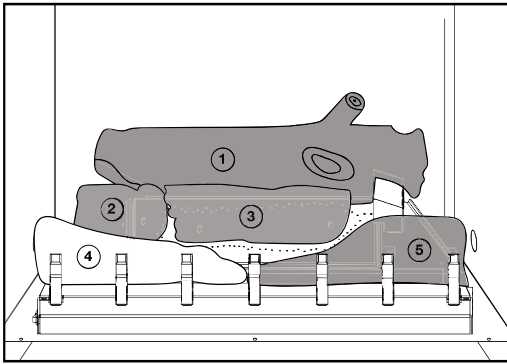


- 3.** Place the hole in log #2 on the stud located on the left side of the burner.

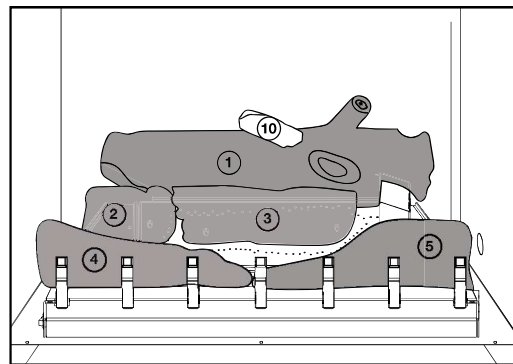


- 4.** Place log #5 along the front right side of the grate and then pull it forward, ensuring the log notches align with the grate posts.

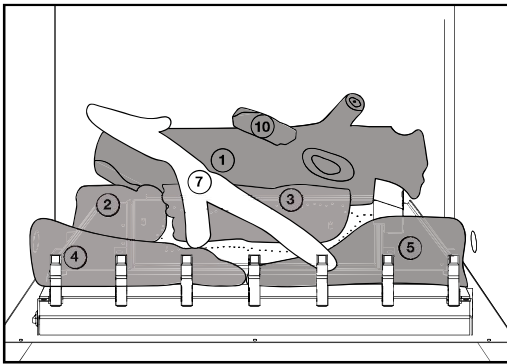
Continued on next page →



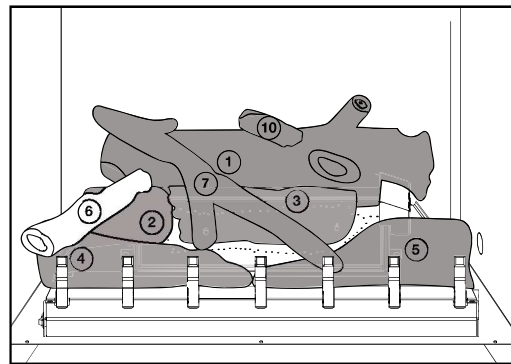
5. Place log #4 along the front left side of the grate and then pull it forward, ensuring the log notches align with the grate posts.



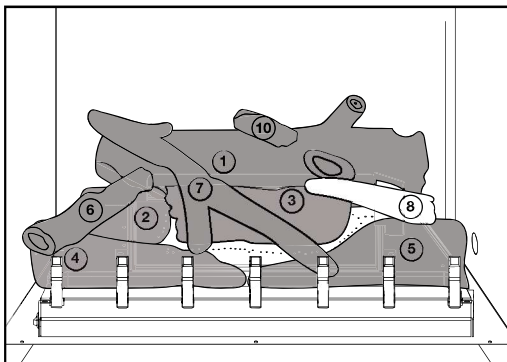
6. Place log #10 on the top notch of log #1.



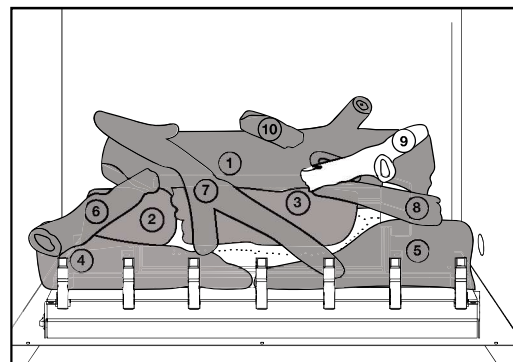
7. Place log #7 crosswise, ensuring the top rests on the top left notch of log #1 and the bottom rests on the top left notch of log #5.



8. Place log #6 crosswise, ensuring the top rests on the top center notch of log #2 and the bottom rests on the top left notch of log #4. Log #6 should touch the front face of log #1.



9. Place log #8 crosswise, ensuring the top rests on the top right notch of log #3 and the bottom rests on the top center notch of log #5. The thin end of log #8 should face inwards.



10. Place log #9 crosswise, ensuring the top rests on the top right notch of log #1 and the bottom rests on the top left notch of log #8.

9.2 oak wood log placement (OLKO36)

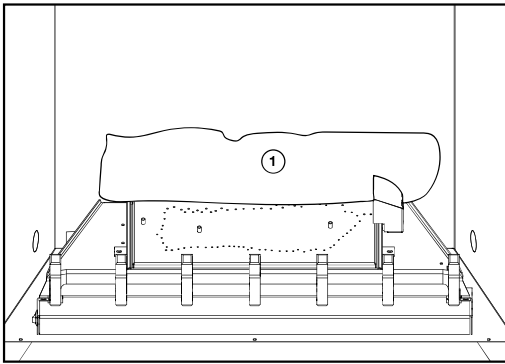
! WARNING

- Failure to position the logs in accordance with these diagrams or failure to use only logs specifically approved with this appliance may result in property damage or personal injury.
- Logs must be placed in their exact location in the appliance. Do not modify the proper log positions, since appliance may not function properly and delayed ignition may occur.
- The logs are fragile and should be handled with care.

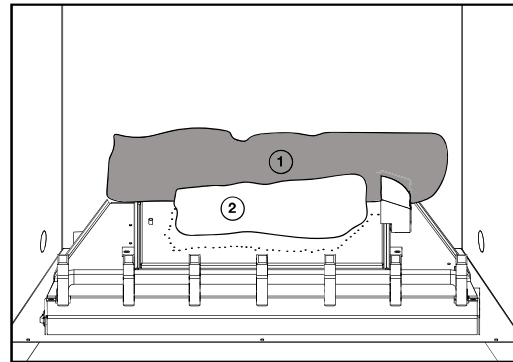
PHAZER™ logs and glowing embers, exclusive to Napoleon, provide a unique and realistic glowing effect that is different in every installation. Take the time to carefully position the glowing embers for a maximum glowing effect. Log colours may vary. During the initial use of the appliance, the colours will become more uniform as colour pigments burn in during the heat-activated curing process. Blocked burner ports can cause an incorrect flame pattern.

note:

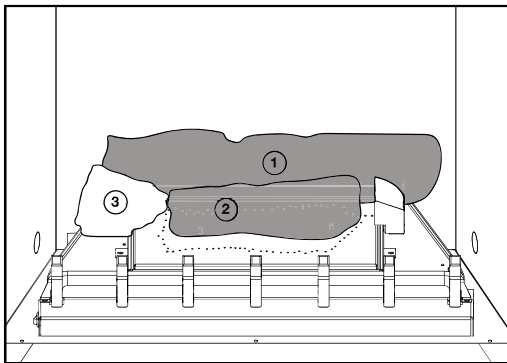
Log numbers are located on the bottom or back of the logs.



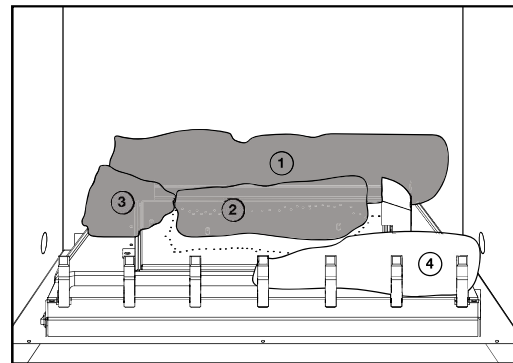
1. Place log #1 on the rear bracket, ensuring the notch on the right side of the log fits around the pilot shield. Do not cover any burner ports.



2. Place the two holes in log #2 on the two studs located in the center of the burner, ensuring the light beige-coloured end of log #2 faces to the right. Do not cover any burner ports.

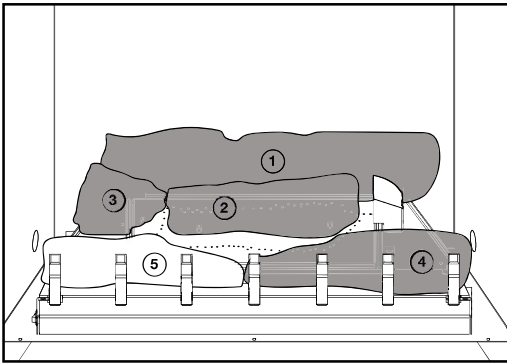


3. Place the hole in log #3 on the stud located on the left side of the burner.

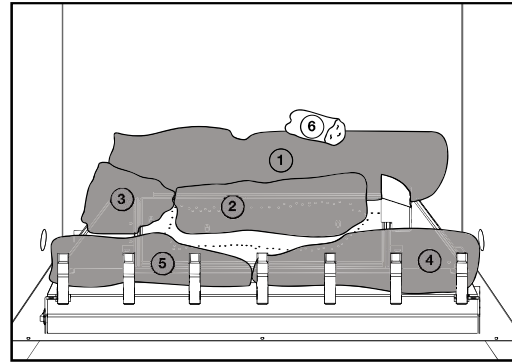


4. Place log #4 along the front right side of the grate and then pull it forward, ensuring the log notches align with the grate posts.

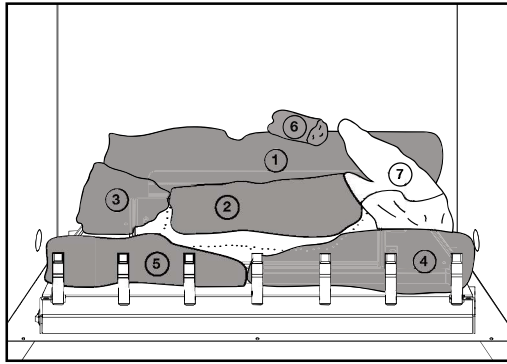
Continued on next page →



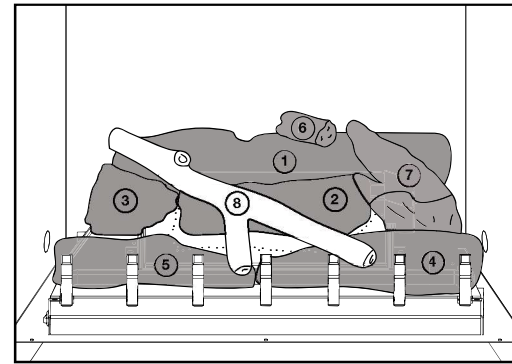
5. Place log #5 along the front left side of the grate and then pull it forward, ensuring the log notches align with the grate posts.



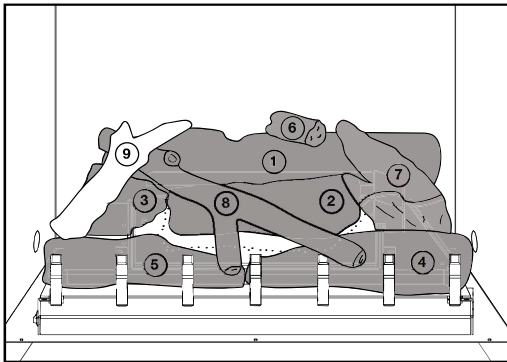
6. Place log #6 on the top notch of log #1, ensuring the charcoal end of log #6 faces forward.



7. Place log #7 crosswise, ensuring the top rests on the top right notch of log #1 and the bottom rests on the rear notch of log #4.



8. Place log #8 crosswise, ensuring the top rests on the top left notch of log #1, and the bottom rests on both the top left notch of log #4 and the top right notch of log #5.



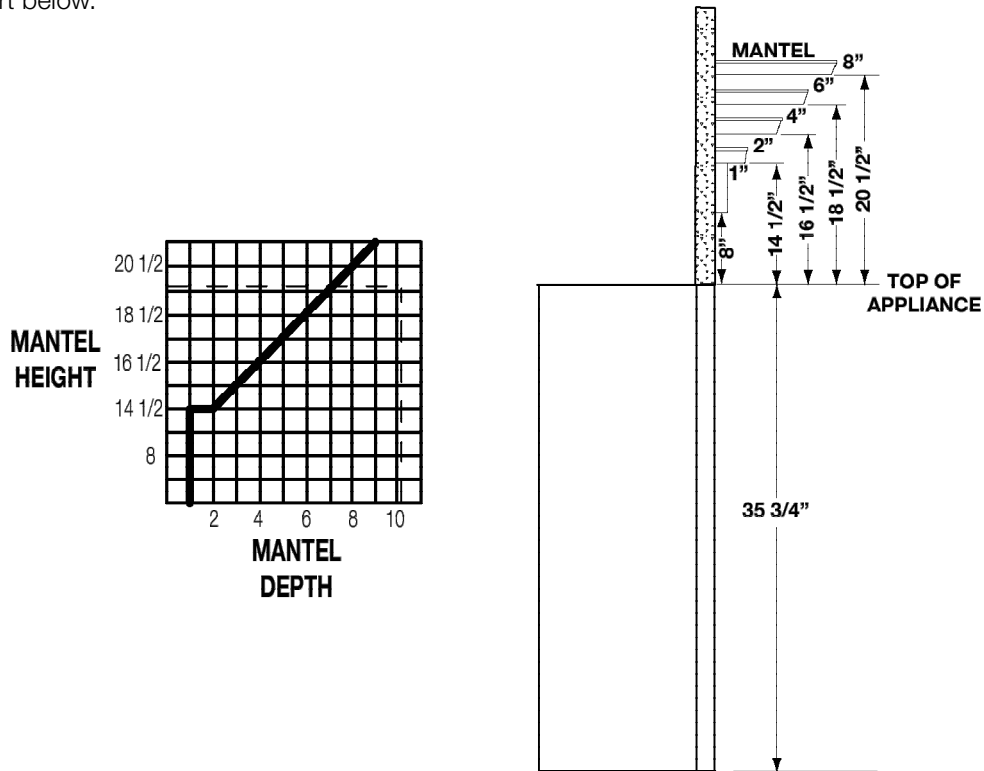
9. Place log #9 crosswise, ensuring the top rests on the top left notch of log #8 and the bottom rests on the top left notch of log #5.

! WARNING

- Risk of fire! Maintain all specified air space clearances to combustibles. Failure to comply with these instructions may cause a fire or cause the appliance to overheat. Ensure all clearances (i.e. back, side, top, vent, mantel, front, etc.) are clearly maintained.
- Never obstruct the front opening of the appliance.
- When using paint or lacquer to finish the mantel, the paint or lacquer must be heat resistant to prevent discolouration.

9.3 minimum mantel clearances

We recommend all mantels be made from non-combustible material. However, if using combustible materials, follow the chart below.

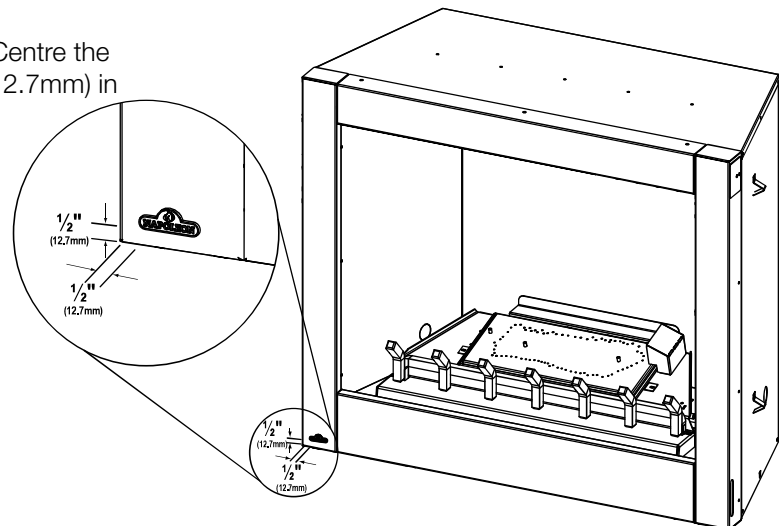


note:

Mantel temperatures will rise above normal temperatures and may be hot to touch.

9.4 logo placement

Remove the backing of the logo supplied. Centre the logo on the front of the appliance and 1/2" (12.7mm) in from the left side, as shown.



10.1 venturi adjustment

! WARNING

- Carbon can be distributed in surrounding living area if the air shutter is improperly adjusted.

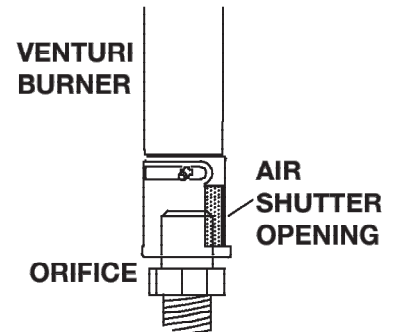
This appliance has an air shutter that has been factory set open according to the chart below:

Regardless of venturi orientation, closing the air shutter will cause a more yellow flame, but can lead to carbonization. Opening the air shutter will cause a more blue flame, but can cause flame lifting from the burner ports. The flame may not appear yellow immediately; allow 15 to 30 minutes for the final flame colour to be established.

AIR SHUTTER ADJUSTMENT MUST ONLY BE DONE BY A QUALIFIED INSTALLER.

note:

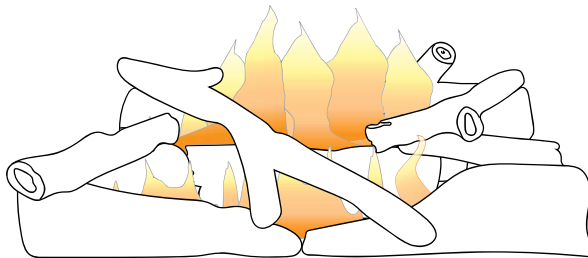
It is important that the orifice is securely inserted into the venturi.



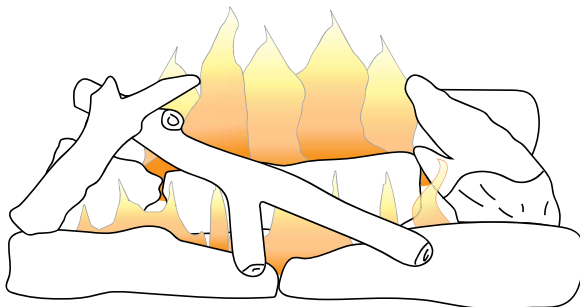
VENTURI ADJUSTMENT CHART	
NG	1/8" (3.1mm)
P	3/16" (4.7mm)

10.2 flame characteristics

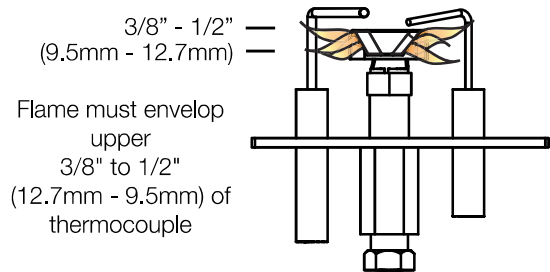
It's important to periodically perform a visual check of the pilot and burner flames. Compare them to the illustration provided. If any flames appear abnormal, call a service person.



Birch Log Set BLK036



Oak Log Set OLK036



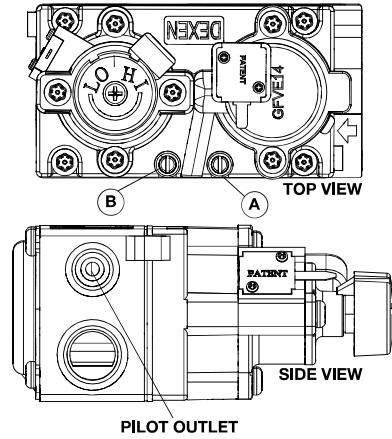
10.3 check pressure readings

Inlet pressure can be checked by turning screw (A) counter-clockwise 2 or 3 turns and then placing pressure gauge tubing over the test point. Gauge should read as described on the chart below. Check pressure with main burner operating on "HI".

Outlet pressure can be checked the same as above using screw (B). Gauge should read as described on the chart below. Check pressure with main burner operating on "HI".

After taking pressure readings, be sure to turn screws clockwise firmly to reseal. Do not overtorque.

Leak test with a soap and water solution.



Pressure	Natural Gas (inches)	Natural Gas (millibars)	Propane (inches)	Propane (millibars)
Inlet	*7" (minimum 4.5")	17.4mb (minimum 11.2mb)	13" (minimum 11")	32.4mb (minimum 27.4mb)
Outlet	3.5"	8.7mb	10"	24.9mb

***Maximum inlet pressure not to exceed 13"**

WARNING

- Turn off the gas and electrical power before servicing the appliance.
- Appliance may be hot. Do not service until appliance has cooled.
- Do not use abrasive cleaners on glass.
- Do not paint the pilot assembly.

This appliance and its venting system should be inspected before use and at least annually by a qualified service person. The following suggested checks should be performed by a qualified technician. The appliance area must be kept clear and free of combustible materials, gasoline, or other flammable vapors and liquids. The flow of combustion and ventilation air must not be obstructed.

note:

Caution: Label all wires prior to disconnection when servicing controls. Wiring errors can cause improper and dangerous operation. Verify proper operation after servicing.

1. In order to properly clean the burner and pilot assembly, remove the logs, rocks and/or glass to expose both assemblies.
2. Keep the control compartment, media, burner, air shutter opening and the area surrounding the appliance clean by vacuuming or brushing, at least once a year.
3. Check to see that all burner ports are burning. Clean out any of the ports which may not be burning or are not burning properly.
4. Check to see that the pilot flame is large enough to engulf the flame sensor and/or thermocouple / thermopile as well as it reaches the burner.
5. If your appliance is equipped with a safety barrier, cleaning may be necessary due to excessive lint / dust from carpeting, pets, etc. simply vacuum using the brush attachment.
6. If your appliance is equipped with relief doors, ensure the system performs effectively. Check that the gasket is not worn or damaged. Replace if necessary.
7. Replace the cleaned logs, rocks or glass. Failure to properly position the media may cause carboning which can be distributed in the surrounding living area, inside the firebox and on exterior surfaces surrounding vent termination.
8. Check to see that the main burner ignites completely on all ports when turned on. A 5 to 10 second total light-up period is satisfactory. If ignition takes longer, consult your local authorized dealer / distributor.
9. Visually inspect the appliance for carbon build up. Using a small whisk or brush, brush off the carbon and vacuum up or sweep into garbage.
10. **This step is not applicable for Vent Free appliances:** Check to see that the appliance is venting correctly. Ensure chimney system is safe and unobstructed. (If for any reason the vent air intake system is disassembled, re-install and re-seal per the instructions provided for the initial installation).

Stainless steel tends to oxidize or stain in the presence of chlorides and sulfides, particularly in coastal areas and other harsh environments, such as the warm, highly humid atmosphere around pools and hot tubs. These stains could be perceived as rust, but can be easily removed or prevented. To provide stain prevention and removal, wash all stainless steel surfaces every 3-4 weeks or as often as required with fresh water and/or stainless steel cleaner.

CLEANING THE STAINLESS STEEL SURFACE:

Do not use abrasive cleaners or steel wool on the stainless steel parts. Doing so will scratch the finish. Surfaces should be cleaned with warm soapy water while the metal is still warm to the touch. To clean stainless surfaces, use a stainless steel or non-abrasive cleaner. Always wipe in the direction of the grain. Over time, stainless steel parts discolour when heated, usually to a golden or brown hue. This discolouration is normal and does not affect the performance of the appliance.

We recommend that the burner be inspected semi-annually by a qualified technician. The burner must be replaced prior to the appliance being put into operation if it is evident that the burner is damaged. Use only replacement parts as supplied by the appliance manufacturer.

12.0 replacement parts

WARNING

- Failure to position the parts in accordance with this manual or failure to use only parts specifically approved with this appliance may result in property damage or personal injury.
- **This is a fast acting thermocouple. It is an integral safety component. Replace only with a fast acting supplied by Wolf Steel Ltd.

Contact your dealer for questions concerning prices and policies on replacement parts. Normally, all parts can be ordered through your Authorized dealer / distributor.

For warranty replacement parts, a photocopy of the original invoice will be required to honour the claim.

When ordering replacement parts always give the following information:

- Model & Serial Number of appliance
- Installation date of appliance
- Part number
- Description of part
- Finish

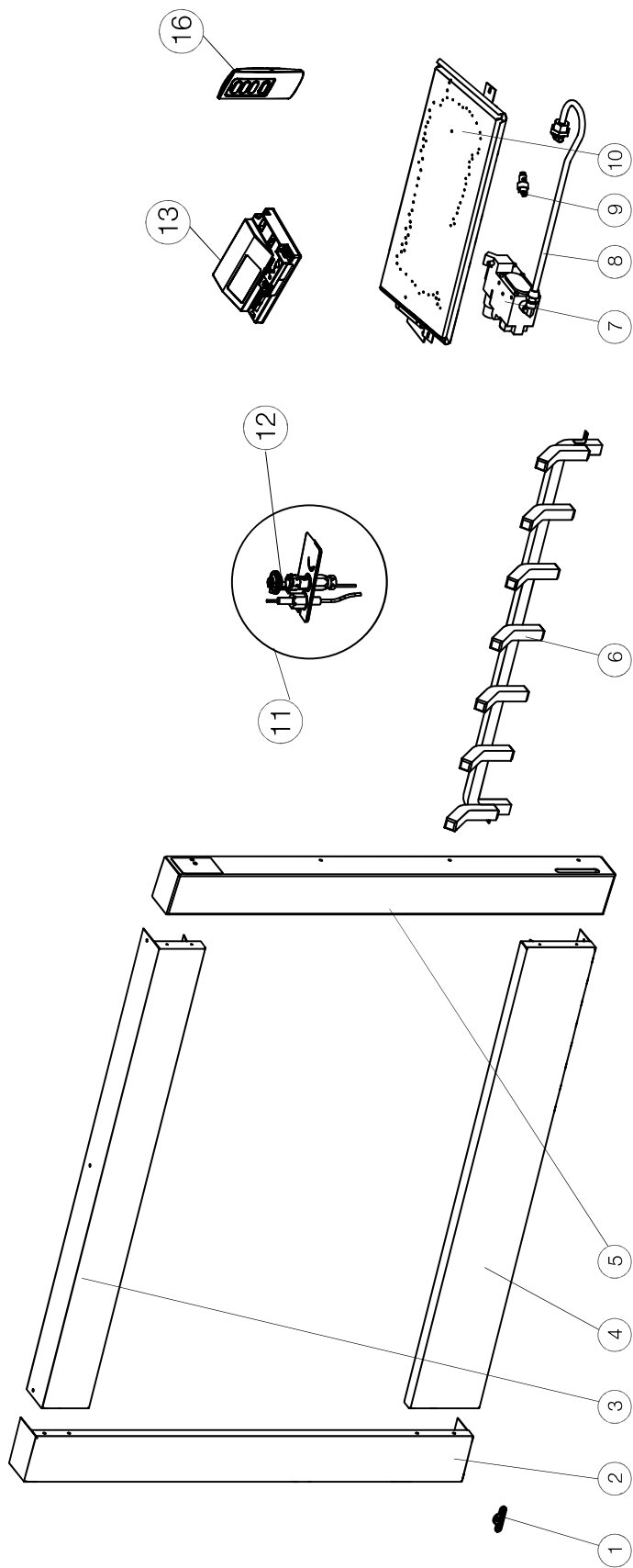
Parts, part numbers, and availability are subject to change without notice.

Parts identified as stocked will be delivered within 2 to 5 business days for most delivery destinations.

Parts not identified as stocked will be delivered within a 2 to 4 week period, for most cases.

Parts identified as 'SO' are special order and can take up to 90 days for delivery

12.1 overview and valve train assembly

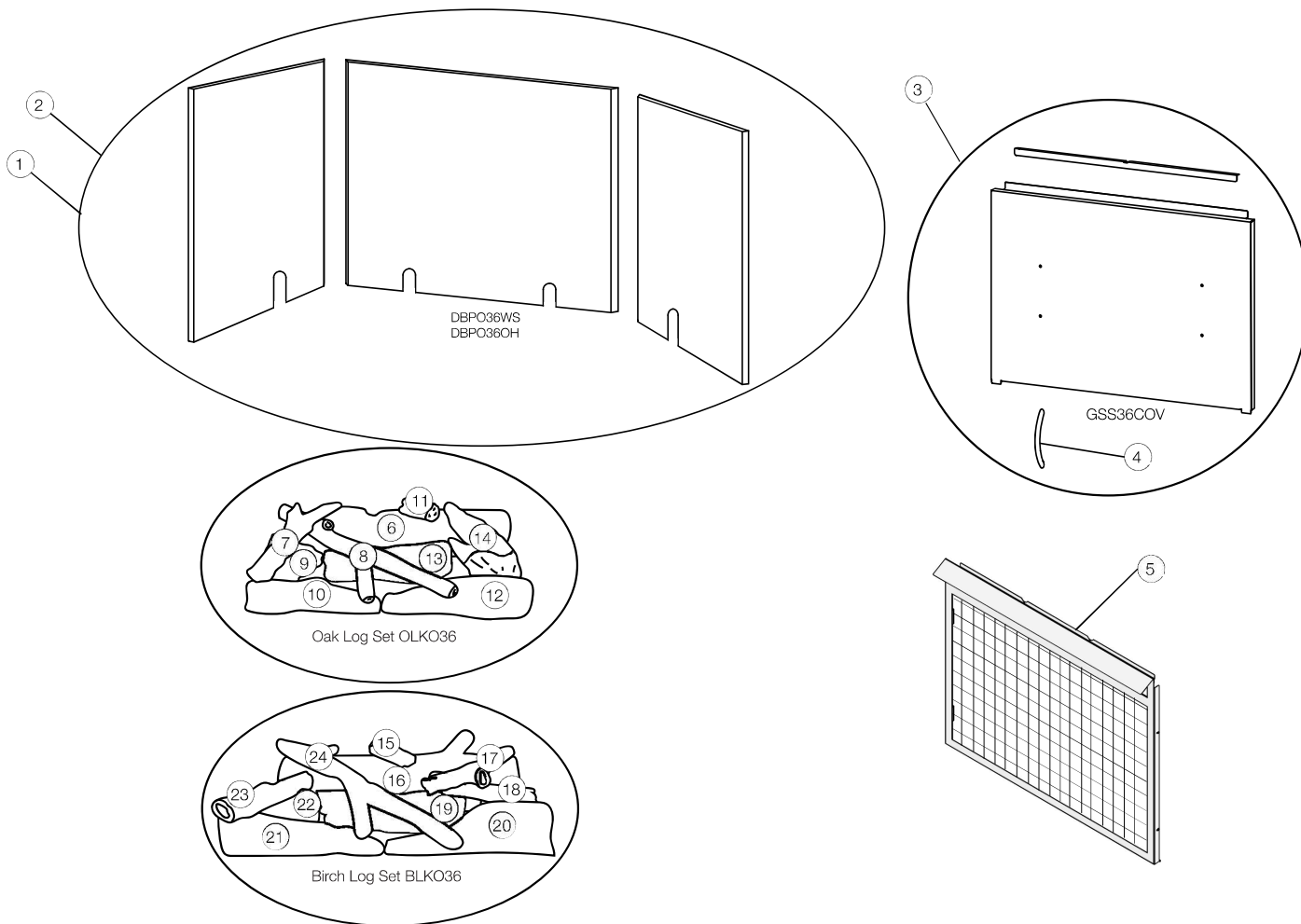


Items may not appear exactly as illustrated

Ref. No.	Part number	Description	Stocked
1	W385-2010	Napoleon logo	Yes
2	W280-0397	Left side frame	
3	W280-0396	Top frame	
4	W280-0395	Bottom frame	
5	W280-0398	Right side frame	
6	W010-3962	Log grate	
7	W725-0095	Valve (NG)	Yes
7	W725-0101	Valve (P)	Yes
8	W432-0078	Manifold pipe	Yes
9	W456-0032	60° burner orifice #32 (NG)	Yes

Ref. No.	Part number	Description	Stocked
9	W456-0048	60° burner orifice #48 (P)	Yes
10	W010-4359	Burner pan assembly	
11	W010-4945	Pilot assembly (NG)	Yes
11	W010-4972	Pilot assembly (P)	Yes
12	W455-0071	Pilot injector (NG)	Yes
12	W455-0049	Pilot injector (P)	Yes
13	W190-0209	Control board (Dexen)	
14*	W750-0510	Power cord	
15*	W750-0511	Wire harness	
16	W660-0228	Transmitter	

13.0 accessories



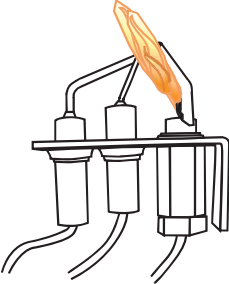
Items may not appear exactly as illustrated

Ref. No.	Part number	Description	Stocked
1	DBPO36WS	Decorative Bricks, Westminster	
2	DBPO36OH	Decorative Bricks, Old Town Red	
3	GSS36COV	Seasonal cover kit	
4	N325-0049-SER	Door handle (X2)	Yes
5	GSS36SCN	Safety barrier assembly	
6	W135-0668	Log, rear (OLKO36)	
7	W135-0776	Log, left crossover (OLKO36)	
8	W135-0775	Log, centre crossover (OLKO36)	
9	W135-0670	Log, mid left (OLKO36)	
10	W135-0672	Log, front left (OLKO36)	
11	W135-0773	Log, rear top (OLKO36)	
12	W135-0671	Log, front right (OLKO36)	

Ref. No.	Part number	Description	Stocked
13	W135-0669	Log, mid centre (OLKO36)	
14	W135-0774	Log, right crossover (OLKO36)	
15	W135-0777	Log, rear crossover (BLKO36)	
16	W135-0751	Log, birch rear (BLKO36)	
17	W135-0759	Log, left crossover (BLKO36)	
18	W135-0758	Log, middle right crossover (BLKO36)	
19	W135-0753	Log, birch middle centre (BLKO36)	
20	W135-0755	Log, birch front right (BLKO36)	
21	W135-0754	Log, birch front left (BLKO36)	
22	W135-0752	Log, birch middle left (BLKO36)	
23	W135-0756	Log, birch crossover left (BLKO36)	
24	W135-0757	Log, LH crossover to front (BLKO36)	
25*	W175-0743	Conversion kit (NG to P)	
26*	W175-0744	Conversion kit (P to NG)	

WARNING

- Always light the pilot whether for the first time or if the gas supply has run out, with the glass door open or removed.
- Turn off gas and electrical power before servicing the appliance.
- Appliance may be hot. Do not service until appliance has cooled.
- Do not use abrasive cleaners

symptom	problem	test solution															
Main burner flame is a blue, lazy, transparent flame. (This is not applicable in outdoor appliances)	Blockage in vent.	- Remove blockage. In really cold conditions, ice buildup may occur on the terminal and should be removed as required. (To minimize this from reoccurring, the vent lengths that pass through unheated spaces (attics, garages, crawl spaces) should be wrapped with an insulated mylar sleeve).															
	Incorrect installation.	- Refer to "venting" section to ensure correct installation.															
Flames are consistently too large or too small. Carboning occurs.	Appliance is over-fired or under-fired.	- Check pressure readings: Inlet pressure can be checked by turning screw (A) counter-clockwise 2 or 3 turns and then placing pressure gauge tubing over the test point. Gauge should read as described on the chart below. Check that main burner is operating on 'HI'. Outlet pressure can be checked the same as above using screw (B). Gauge should read as described on the chart below. Check that main burner is operating on 'HI'. After taking pressure readings, be sure to turn screws clockwise firmly to reseal. DO NOT OVER TORQUE. Leak test with a soap and water solution.															
																	
		<table border="1"> <thead> <tr> <th>Pressure</th> <th>Natural Gas (inches)</th> <th>Natural Gas (millibars)</th> <th>Propane (inches)</th> <th>Propane (millibars)</th> </tr> </thead> <tbody> <tr> <td>Inlet</td> <td>*7" (minimum 4.5")</td> <td>17.4mb (minimum 11.2mb)</td> <td>13" (minimum 11")</td> <td>32.4mb (minimum 27.4mb)</td> </tr> <tr> <td>Outlet</td> <td>3.5"</td> <td>8.7mb</td> <td>10"</td> <td>24.9mb</td> </tr> </tbody> </table> <p style="text-align: center;">*Maximum inlet pressure not to exceed 13" w.c.</p>	Pressure	Natural Gas (inches)	Natural Gas (millibars)	Propane (inches)	Propane (millibars)	Inlet	*7" (minimum 4.5")	17.4mb (minimum 11.2mb)	13" (minimum 11")	32.4mb (minimum 27.4mb)	Outlet	3.5"	8.7mb	10"	24.9mb
Pressure	Natural Gas (inches)	Natural Gas (millibars)	Propane (inches)	Propane (millibars)													
Inlet	*7" (minimum 4.5")	17.4mb (minimum 11.2mb)	13" (minimum 11")	32.4mb (minimum 27.4mb)													
Outlet	3.5"	8.7mb	10"	24.9mb													
	Air shutter improperly adjusted.	- Return air shutter to specified opening, see " venturi adjustments " section in the installation manual.															
Carbon is being deposited on glass, logs, rocks, media, or combustion chamber surfaces.	Air shutter is blocked.	- Ensure air shutter opening is free of lint or other obstructions.															
	Flame is impinging on the glass, logs, rocks, media or combustion chamber.	- Ensure the media is positioned correctly in the appliance. - Open air shutter to increase the primary air. - Check the input rate: check the manifold pressure and orifice size as specified by the rating plate. - Ensure door gaskets are not broken or missing and the seal is tight. - Ensure vent liners are free of holes and well sealed at all joints. - Check that minimum rise per foot (meters) has been adhered to for any horizontal venting.															
White / grey film forms.	Sulphur from fuel is being deposited on glass, logs, or combustion chamber surfaces.	- Clean the glass with a recommended gas fireplace glass cleaner. DO NOT CLEAN GLASS WHEN HOT. - If deposits are not cleaned off regularly, the glass may become permanently marked.															
Exhaust fumes smelled in room, headaches.	Appliance is spilling. (This is not applicable in outdoor appliances).	- Check door seal. - Check for exhaust damage. - Check that venting is installed correctly. - Room is in negative pressure; increase fresh air supply.															

symptom	problem	test solution
Pilot will not light. Makes noise with no spark at pilot burner.	Wiring: short, loose, or damaged connections (poor flame rectification).	<ul style="list-style-type: none"> - Verify the thermocouple/sensor is clean and the wiring is undamaged. - Verify the interrupter block is not damaged or too tight. Verify connections from pilot assembly are tight; also verify the connections are not grounding out to any metal. (Remember, the flame carries the rectification current, not the gas. If flame lifts from pilot hood, the circuit is broken. A wrong orifice or too high of an inlet pressure can cause the pilot flame to lift)*. The sensor rod may need cleaning.
	No signal from remote with no pilot ignition.	<ul style="list-style-type: none"> - Reprogram receiver code. - Replace receiver.
	Poor grounding.	<ul style="list-style-type: none"> - Verify the valve and pilot assembly is properly grounded
	Improper switch wiring.	<ul style="list-style-type: none"> - Troubleshoot the system with the simplest on/off switch.
	Dirty, painted, or damaged pilot and/or dirty sensor rod.	<ul style="list-style-type: none"> - Clean sensor rod with a green Scotch-Brite™ pad to remove any contamination that may have accumulated. Verify continuity with multimeter with ohms set at the lowest range.
Pilot sparks but will not light.	Gas supply.	<ul style="list-style-type: none"> - Verify that the incoming gas line ball valve is "open". - Verify that the inlet pressure reading is within acceptable limits, inlet pressures must not exceed 13" W.C.
	Out of propane gas.	<ul style="list-style-type: none"> - Fill the tank.
	Pilot supply line may contain air.	<ul style="list-style-type: none"> - Repeat ignition process several times or purge the pilot supply line.
	Incorrect wiring / grounding.	<ul style="list-style-type: none"> - Ensure correct polarity of wiring of thermocouple (if equipped). - Verify pilot assembly/valve are properly grounded.
	Receiver (if equipped).	<ul style="list-style-type: none"> - Reset program: hold reset button on receiver and wait for 2 beeps. Release after second beep. Press small flame button on remote within 20 seconds, you will hear an additional beep (this signals a successful reset). - Replace receiver.
	Valve.	<ul style="list-style-type: none"> - Check valve and replace if necessary (Do not to overtighten thermocouple).
Burner continues to spark and pilot lights but main burner does not light.	Short or loose connection in sensor rod.	<ul style="list-style-type: none"> - Verify all connections. Verify the connections from the pilot assembly are tight. Also, verify these connections are not grounding out to any metal.
	Dirty, painted, or damaged pilot assembly components.	<ul style="list-style-type: none"> - Clean using a green Scotch-Brite™ pad to remove any contamination that may have accumulated on the sensor rod, pilot hood, ignitor, or flame sensor. Verify continuity with multimeter with ohms set at the lowest range.
Remote and / or receiver is not functioning properly (if applicable).	Receiver or remote has low battery.	<ul style="list-style-type: none"> - Replace batteries.
	Appliance functions but does not respond to receiver / remote.	<ul style="list-style-type: none"> - Ensure appliance is being operated by the same device that turned it on. Remote controls function if appliance has turned on by remote. Receiver controls function if appliance was burned on by receiver.
	Error with synchronizing.	<ul style="list-style-type: none"> - Reset receiver and remote.
	Remote too far away from receiver.	<ul style="list-style-type: none"> - Refer to "wiring diagram" section.
	Wire connector pins are bent.	<ul style="list-style-type: none"> - Straighten pins.
	Valve wiring is damaged.	<ul style="list-style-type: none"> - Replace valve harness.

symptom	problem	test solution
Flames are very aggressive.	Door is ajar.	- Ensure door is secured properly.
	Venting action is too great.	- Check to ensure venting is properly sealed or restrict vent exit with restrictor plate (not available in all appliances).
Appliance won't perform any functions	No power to the system.	- Check breaker to verify it is in the "on" position. - Ensure module is wired to power correctly.
	Receiver switch in wrong position (if equipped).	- Verify that the 3-position switch on the receiver is in the remote position (middle).
	On/off switch in wrong position.	- Verify that the switch is in the "on" position.
	Transmitter isn't operational (if required).	- Check battery power and battery orientation.
Light won't function (if applicable).	Light bulb burnt out.	- Change the bulb.
	Light harness damaged.	- Replace the harness.
	Switch in wrong position.	- Ensure switch is in "on" position.
	No power to lights.	- Ensure power transformer is plugged into junction box and lights are wired correctly.
Blower won't function (if applicable).	Blower kit not wired correctly.	- Ensure blower is wired correctly (see "optional blower installation" section).
	Variable speed switch in wrong position.	- Turn switch away from "off" position.
	Thermal disc not hot enough to operate blower.	- Thermal disk must reach 32°C (90°F) before blower will operate. Ensure switch surface is tight to hot metal surface.

15.0 warranty

NAPOLEON gas appliances are manufactured under the strict Standard of the world recognized ISO 9001 : 2015 Quality Management System.

NAPOLEON products are designed with superior components and materials, assembled by trained craftsmen who take great pride in their work. The burner and valve assembly are leak and test-fired at a quality test station. Once assembled, the complete appliance is thoroughly inspected by a qualified and authorized installer, service agency, or supplier before packaging to ensure that you, the customer, receives the quality product that you expect from NAPOLEON.

Napoleon Gas Appliance 5 Year Limited Warranty

All stainless steel components of your new NAPOLEON gas appliance are warranted against defects for five years.

Electrical (110V) components and wearable parts are covered and NAPOLEON will provide replacement parts free of charge during the first year of the limited warranty. This covers: gas valves, logs, and gasketing.*

Labour related to warranty repair is covered free of charge during the first year. Repair work, however, requires the prior approval of an authorized company official. Labour costs to the account of NAPOLEON are based on a predetermined rate schedule and any repair work must be done through an authorized NAPOLEON dealer.

* Construction of models vary. Warranty applies only to components included with your specific appliance.

Conditions and Limitations

NAPOLEON warrants its products against manufacturing defects to the original purchaser only. Registering your warranty is not necessary. Simply provide a proof of purchase along with the model number and serial number of the appliance to make a warranty claim. Provided that the purchase was made through an authorized NAPOLEON dealer your appliance is subject to the following conditions and limitations:

Warranty coverage begins on the date of original installation.

This limited warranty applies only while the appliance remains at the site of original installation, and only if the unit is installed in Canada or the United States.

This factory warranty is non-transferable and may not be extended whatsoever by any of our representatives.

Installation must be done in accordance with the installation instructions included with the product and all local and national building and fire codes.

This limited warranty does not cover damages caused by misuse, lack of maintenance, accident, alterations, abuse, or neglect and parts installed from other manufacturers will nullify this warranty.

This limited warranty further does not cover any scratches, dents, corrosion, or discolouring caused by excessive heat, abrasive and chemical cleaners, mechanical breakage of logs and embers.

In the first year only, this warranty extends to the repair or replacement of warranted parts which are defective in material or workmanship provided that the product has been operated in accordance with the operation instructions and under normal conditions.

After the first year, with respect to this Limited Warranty, NAPOLEON may, at its discretion, fully discharge all obligations with respect to this warranty by refunding to the original warranted purchaser the wholesale price of any warranted but defective part(s).

After the first year, NAPOLEON will not be responsible for installation, labour, or any other costs or expenses related to the reinstallation of a warranted part, and such expenses are not covered by this warranty.

Notwithstanding any provisions contained in this Limited Warranty, NAPOLEON'S responsibility under this warranty is defined as above and it shall not in any event extend to any incidental, consequential, or indirect damages.

This warranty defines the obligations and liability of NAPOLEON with respect to the NAPOLEON gas appliance and any other warranties expressed or implied with respect to this product; its components or accessories are excluded.

This limited warranty does not cover damages resulting from the use of components not supplied with the appliance or the use of fuel other than those specified.

Any damages to appliance due to weather, long periods of dampness, condensation, damaging chemicals, or cleaners will not be the responsibility of NAPOLEON.

NAPOLEON reserves the right to have its representative inspect any product or part thereof prior to honouring any warranty claim.

The manufacturer may require that defective parts or products be returned or that digital pictures be provided to support the claim. Returned products are to be shipped prepaid to the manufacturer for investigation. If a product is found to be defective, the manufacturer will repair or replace such defect.

Before shipping your appliance or defective components, your dealer must obtain an authorization number. Any merchandise shipped without authorization will be refused and returned to sender.

Shipping costs are not covered under this warranty.

Additional service fees may apply if you are seeking warranty service from a dealer.

Travel, diagnostic tests, shipping, and other related charges are not covered by this warranty.

All specifications and designs are subject to change without prior notice due to on-going product improvements. Napoleon is a registered trademark of Wolf Steel Ltd.

Appliance Service History

This appliance must be serviced annually depending on usage.

Date	Dealer Name	Service Technician Name	Service Performed	Special Concerns

NAPOLEON CELEBRATING OVER 40 YEARS OF HOME COMFORT PRODUCTS



7200, Route Transcanadienne, Montréal, Québec H4T 1A3
24 Napoleon Road, Barrie, Ontario, Canada L4M 0G8
214 Bayview Drive, Barrie, Ontario, Canada L4N 4Y8
103 Miller Drive, Crittenden, Kentucky, USA 41030
De Riemsdijk 22, 4004 LC Tiel, The Netherlands

Phone: 1-866-820-8686
napoleon.com



MANUEL D'INSTALLATION ET D'OPÉRATION

Séries Riverside^{MD} (GSS36CFE Illustré)

CONSIGNES DE SÉCURITÉ

! AVERTISSEMENT

Si ces instructions ne sont pas suivies à la lettre, un incendie ou une explosion pourraient s'ensuivre, causant des dommages matériels, des blessures corporelles ou des pertes de vie. Veuillez lire attentivement les instructions d'installation, d'utilisation, et d'entretien avant d'installer ou de réparer ce matériel.

- N'entreposez pas et n'utilisez pas d'essence ou autre liquides et vapeurs inflammables à proximité de cet appareil ou tout autre appareil.
- Une bouteille de propane qui n'est pas raccordée en vue de son utilisation, ne doit pas être entreposée dans le voisinage de cet appareil ou de tout autre appareil.

S'IL Y A UNE ODEUR DE GAZ:

- N'allumez aucun appareil.
- Coupez le gaz vers l'appareil.
- Éteignez toute flamme nue.
- Si l'odeur persiste, quittez immédiatement la zone.
- Ne touchez à aucun interrupteur électrique; n'utilisez aucun téléphone dans votre immeuble.
- Appelez immédiatement votre fournisseur de gaz d'un téléphone voisin. Suivez ses instructions.
- Si vous ne pouvez pas rejoindre votre fournisseur de gaz, appelez le service des incendies.

Le non-respect de ces instructions peut entraîner un incendie ou une explosion, ce qui peut entraîner des dommages matériels, des blessures corporelles ou la mort.

- L'installation et l'entretien doivent être faits par un installateur qualifié, une agence d'entretien, ou le fournisseur.

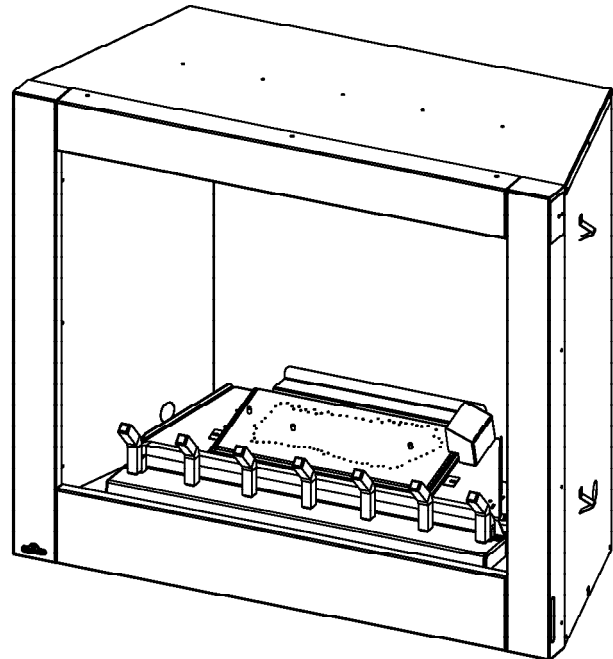
Cet appareil doit être utilisé uniquement avec le type de gaz indiqué sur la plaque d'homologation. Cet appareil ne peut être converti à d'autres gaz, sauf si une trousse de conversion est utilisée.

INSTALLATEUR:

Laissez ce manuel avec l'appareil

PROPRIÉTAIRE:

Conservez ce manuel pour consultation ultérieure.



POUR USAGE EXTÉRIEUR SEULEMENT

HOMOLOGUÉ SELON LES NORMES:
ANSI Z21.97 ET CSA 2.41 POUR LES APPAREILS
À GAZ DÉCORATIF EXTÉRIEUR

<p>DANGER</p>	<p>MONOXYDE DE CARBONE Cet appareil peut produire du monoxyde de carbone, un gaz inodore.</p>
	<p>L'utilisation de cet appareil dans des espaces clos peut entraîner la mort. Ne jamais utiliser cet appareil dans un espace clos comme un véhicule de camping, une tente, une automobile ou une maison.</p>

PRODUIT DÉCORATIF: NE PAS UTILISER COMME APPAREIL DE CHAUFFAGE.



▲ **DANGER!** GAZ INFLAMMABLE SOUS PRESSION.

UNE FUITE DE GPL PEUT CAUSER UN INCENDIE OU UNE EXPLOSION SI ENFLAMMÉE ENTRAÎNANT DES BLESSURES CORPORELLES GRAVES OU LA MORT. COMMUNIQUER AVEC LE FOURNISSEUR DE GPL POUR LES RÉPARATIONS OU POUR DISPOSER DE CETTE BOUTEILLE OU DU GPL NON UTILISÉ.

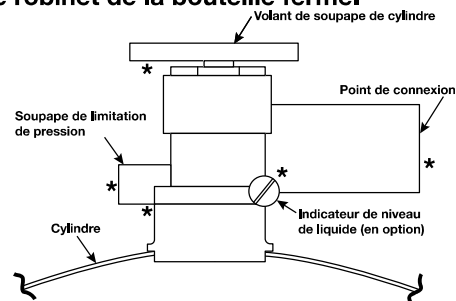
▲ **AVERTISSEMENT!** POUR USAGE À L'EXTÉRIEUR SEULEMENT *
N'UTILISEZ PAS NI ENTREPOSER LA BOUTEILLE DANS UN BÂTIMENT, UN GARAGE OU UN ENDROIT FERMÉ.

▲ AVERTISSEMENT:

- Connaissiez l'odeur du GPL. Si vous entendez, voyez ou sentez une fuite de GPL, éloignez immédiatement tout le monde de la bouteille et appelez les pompiers. N'essayez pas de réparer.
- Avertissez votre fournisseur de GPL de:
- (a) la bouteille de certian est purgée de l'air emprisonné avant le premier remplissage;
- (b) être certain de ne pas trop remplir la bouteille;
- (c) s'assurer que la date de requalification des bouteilles est vérifiée.
- Le GPL est plus lourd que l'air et peut se déposer dans des endroits bas tout en se dissipant.
- Le contact avec le contenu liquide du cylindre provoquera le gel des brûleurs sur la peau.
- Ne laissez pas les enfants toucher ou jouer avec la bouteille.
- Lorsqu'il n'est pas connecté pour l'utilisation, gardez la valve de la bouteille fermée. Les appareils autonomes doivent être limités à une bouteille d'une capacité de 30 lb ou moins.
- Ne pas utiliser, stocker ou transporter la bouteille dans un endroit où elle serait exposée à des températures élevées. La soupape de décharge peut s'ouvrir et permettre à une grande quantité de gaz inflammable de s'échapper.
- Lors du transport, maintenez la bouteille fixée en position verticale avec la valve de la bouteille fermée.

LORS DE LA CONNEXION POUR L'UTILISATION :

- Utilisez uniquement en conformité avec les codes applicables.
- Lisez et suivez les instructions du fabricant.
- Consultez les instructions du fabricant concernant le raccordement du cylindre fourni avec votre appareil.
- Assurez-vous que l'évent du régulateur ne pointe pas vers le haut.
- Fermez toutes les vannes de l'appareil.
- Ne vérifiez pas les fuites de gaz avec une allumette ou une flamme nue. Appliquez de l'eau savonneuse sur les zones marquées «X». Ouvrez la valve de la bouteille. Si une bulle apparaît, fermez la vanne et demandez à un technicien de service de GPL d'effectuer les réparations nécessaires.
- Vérifiez également les vannes et les raccords de l'appareil pour vous assurer qu'ils ne fuient pas avant d'allumer l'appareil.
- Allumez les appareils en suivant les instructions du fabricant.
- Lorsque l'appareil n'est pas utilisé, gardez le robinet de la bouteille fermé.



AVERTISSEMENT

- **Cet appareil est chaud lorsqu'il fonctionne et peut causer de graves brûlures en cas de contact.**
- **Toute modification apportée à cet appareil ou aux contrôles peut être dangereuse et est interdit.**
- Ne faites pas fonctionner l'appareil avant d'avoir lu et compris les instructions d'opération. Omettre d'utiliser l'appareil selon les instructions d'opération pourrait causer un incendie ou des blessures.
- **S'assurez que la porte vitrée est ouvert ou retirée de l'appareil lorsque vous allumer le pilote pour la première fois et lorsque le gaz est épuisé.**
- **Risque d'incendie ou d'asphyxie, ne faites pas fonctionner l'appareil avec la vitre retirée et jamais obstruer l'ouverture sur le devant de l'appareil.**

AVERTISSEMENT



LA VITRE CHAUDE CAUSERA DES BRÛLURES.

NE PAS TOUCHER LA VITRE AVANT QU'ELLE AIT REFROIDI.

NE JAMAIS LAISSER LES ENFANTS TOUCHER LA VITRE.

Une barrière conçu à réduire le risque de brûlures causées par le verre chaud est fourni avec l'appareil et doit être installé pour la protection des enfants et d'autres personnes à risque.

- Ne branchez pas la soupape à du courant 110 volts, avec les exception de modèles; GSST8 et GT8.
- Risque de brûlures. L'appareil doit être éteint et refroidi avant d'effectuer un entretien.
- N'installez pas de composants endommagés ou incomplets ni des composants substitués.
- Risque de coupures et d'éraflures. Portez des gants protecteurs, des chaussures de protection et des lunettes de sécurité lors de l'installation. Les bordures des pièces de métal peuvent être coupantes.
- Ne brûlez pas de bois ou autres matériaux dans cet appareil.
- Assurez-vous d'une quantité suffisante d'air de combustion et de ventilation. Prévoyez un accès suffisant pour entretenir et opérer l'appareil.
- **Haute pression endommagera la soupape. Débrancher la tuyauterie d'alimentation en gaz avant de tester la pression de ligne de gaz à la pression d'essai au-dessus de 1/2 psig. Fermer l'arrêt manuel du soupape avant de tester la pression de ligne de gaz à la pression égale ou inférieure à 1/2 psig (35mb).**
- L'appareil ne doit pas être utilisé au températures au-dessous de zero (32°F / 0°C). Permettre à l'appareil pour réchauffer au-dessus de zero avant le fonctionnement, avec l'exception de modèles; GSS36, GSS42; ces appareil sont adaptés pour 0°F / -18°C.
- **Les enfants et les adultes devraient être informés des dangers que posent les températures de surface élevées et se tenir à distance afin d'éviter des brûlures ou que leurs vêtements ne s'enflamment.**
- **Les jeunes enfants doivent être surveillés attentivement lorsqu'ils sont dans la même pièce que l'appareil. Les jeunes enfants et autres personnes à risque sont sujets aux brûlures accidentelles. Une barrière de protection est recommandée si des individus à risque se trouvent dans la maison. Afin de restreindre l'accès à l'appareil, installez une barrière de protection ajustable pour garder les jeunes enfants ou autres personnes à risque hors de la pièce et loin des surfaces chaudes.**
- **Les vêtements et autres matériaux combustibles ne doivent pas être posés sur l'appareil ou à proximité.**
- **En raison des températures élevées, l'appareil devrait être placé loin des endroits passants et loin des meubles et des rideaux.**
- Les meubles ou autres objets doivent être gardés à une distance d'au moins 4 pieds (1.22m) du devant de l'appareil.
- Assurez-vous de disposer de mesures de sécurité adéquates pour empêcher les jeunes enfants de toucher aux surfaces chaudes.
- Même une fois que l'appareil est éteint, l'appareil demeurera chaud pendant un temps prolongé.
- Consultez votre détaillant local de l'appareil pour connaître les écrans de protection et les protection du foyer offerts pour protéger les enfants des surfaces chaudes. Ces écrans de protection et les protection du foyer doivent être fixés au plancher.
- **Tout écrans de protection, garde ou barrière enlevés pour faire l'entretien devront être remis en place avant d'utiliser l'appareil.**
- Il est primordial de garder propres les compartiments de contrôle, les brûleurs, la soufflerie, les bouches d'air de l'appareil ainsi que le système d'évacuation. L'appareil et son système d'évacuation doivent être inspectés avant la première utilisation et au moins une fois l'an par un spécialiste en entretien. Un entretien plus fréquent pourrait être nécessaire en raison des peluches provenant des tapis, literie, etc. L'emplacement de l'appareil doit être gardé libre de tous matériaux combustibles, essence ou autres liquides et vapeurs inflammables.
- Si l'appareil s'éteint, n'allume pas l'appareil jusqu'à ce que vous donner de l'air frais. Si l'appareil continue de s'éteindre, faire réparer. Garder propres le brûleur et le compartiment de contrôle.
- Cet appareil ne devra être modifié en aucun cas.
- Ne laissez pas les ventilateurs souffler directement sur l'appareil. Empêchez les courants d'air de modifier l'apparence de la flamme.

AVERTISSEMENT

- N'utilisez pas une soufflerie intégrée, un échangeur de chaleur intégré ni un autre accessoire non approuvé pour cet appareil.
- Cet appareil ne doit pas être raccordé au conduit d'une cheminée desservant un autre appareil de chauffage à combustible solide.
- N'utilisez pas cet appareil si une partie quelconque a été submergée. Contactez immédiatement un technicien de service qualifié pour inspecter l'appareil et pour remplacer toute pièce du système de contrôle et du contrôle du gaz qui aurait été submergée.
- Ne pas opérer l'appareil lorsque la porte vitrée est enlevée, fissurée ou brisée. Le remplacement de la vitre devra être effectué par un technicien de service certifié ou qualifié, si équipé.
- Ne frappez pas et ne claquez pas la porte vitrée de l'appareil, si équipé.
- **Seulement les portes/façades certifiées pour l'appareil peuvent être utilisées avec cet appareil.**
- Gardez les matériaux d'emballage hors de la portée des enfants et mettez ces matériaux au rebut de façon sécuritaire. Comme tous les emballages de plastique, ces matériaux ne sont pas des jouets et doivent demeurer hors de la portée des enfants et des bébés.
- Le carbone ou la suie ne doit pas se produire dans un appareil sans événement car il peut être distribué dans une zone habitable de votre maison. Si vous remarquez des signes de carbone ou de suie, éteignez immédiatement votre appareil et arrangez-le pour le faire entretenir par un technicien qualifié avant de l'actionner à nouveau.
- Si équipé, l'écran doivent être (fermez) en place pendant le fonctionnement de l'appareil.
- Lorsque l'appareil est muni de portes d'évacuation de pression, elles doivent demeurer fermées pendant le fonctionnement de l'appareil afin d'empêcher les gaz de combustion contenant du monoxyde de carbone de s'infiltrer dans la maison. La température des gaz de combustion s'échappant par ces ouvertures peut aussi causer les matériaux combustibles avoisinants à surchauffer et à prendre feu.
- **L'empoisonnement au monoxyde de carbone peut conduire à la mort; les premiers signes d'une intoxication au monoxyde de carbone ressemblent à la grippe, avec céphalées, vertiges et/ou des nausées. Si vous présentez ces signes, l'appareil peut ne pas fonctionner correctement. Obtenir l'air frais! Faire réparer l'appareil. Certaines personnes, les femmes enceintes, les personnes ayant une maladie cardiaque ou pulmonaire, anémie, ceux sous l'influence de l'alcool, ceux à haute altitude sont plus touchés par le monoxyde de carbone que d'autres. Défaut de garder l'ouverture d'air primaire(s) du brûleur(s) propre peut entraîner la formation de suies et dommages à la propriété.**
- Comme dans le cas de tout appareil à combustion, il est recommandé de faire inspecter et entretenir votre appareil régulièrement. De même, installez un détecteur de monoxyde de carbone dans la pièce pour vous protéger, ainsi que votre famille, contre les intoxications (pas applicable pour les appareils pour l'extérieur).
- Assurez-vous que les distances requises pour les dégagements aux matériaux combustibles sont respectées lorsque vous installez une tablette décorative ou des tablettes au-dessus de l'appareil. En raison des températures élevées, un téléviseur ou d'autres composants électroniques pourraient être endommagés prématurément ou ils pourraient fondre, se déformer ou se décolorer.
- **Pour les appareils avec une barrière; si la barrière est endommagée, elle devra être remplacée par la barrière conçu par le fabricant pour cet appareil.**
- **L'installation et la réparation devraient être effectuées par un technicien qualifié. Il est impératif que les compartiments de contrôle, le brûleur et les passages de circulation d'air soient gardés propres afin de fournir une combustion et une circulation d'air adéquates.**
- Produits pour l'extérieur seulement: Cet appareil ne doit pas être installé à l'intérieur ni dans une structure qui empêche la dissipation des gaz de combustion dans l'environnement extérieur.
- S'il y a lieu, la version de millivolt de cet appareil utilise et requiert un thermocouple à action rapide. Remplacez uniquement par un thermocouple à action rapide de Wolf Steel Itée.

 AVERTISSEMENT: Ce produit peut vous exposer à des substances chimiques incluant le plomb et les composés de plomb qui, selon l'État de Californie, causeraient le cancer, et des substances chimiques incluant le monoxyde de carbone qui, selon d'État de Californie, causeraient des malformations congénitales ou autres dangers pour la reproduction. Pour de plus amples renseignements, visitez le www.P65Warnings.ca.gov.

 AVERTISSEMENT/ADVERTENCIA 	
<p>RISQUE D'INCENDIE / RETARD D'ALLUMAGE</p> <p>Une pression d'alimentation élevée peut endommager la soupape et ses composantes.</p> <p>Débrancher la soupape de gaz de la ligne d'alimentation en gaz pendant les essais de pression de ce système lorsque les pressions excèdent 1/2 lb/po2 (3,5 kPa).</p> <p>Isoler l'appareil en fermant la soupape d'arrêt pendant tout essai de pression du système d'alimentation en gaz lorsque les pressions sont de 1/2 lb/po2 (3,5 kPa) ou moins.</p>	<p>RIESGO DE INCENDIO/PELIGRO DE ENCENDIDO DEMORADO</p> <p>El suministro a alta presión dañará la válvula/los controles.</p> <p>Desconectar la válvula/el control principal de gas del aparato del caño de suministro cuando se compruebe la presión del sistema a más de 1/2 psi (3,5 kPa).</p> <p>Aislar el aparato con su válvula de cierre durante cualquier comprobación de la presión de la cañería de suministro a una presión igual o inferior a 1/2 psi (3,5 kPa).</p>

1.0	information générales	46
1.1	air comburant et de ventilation	46
1.2	taux et efficacités	47
1.3	vue d'ensemble d'installation	47
1.4	liste des pièces	48
1.5	plaque d'homologation	49
2.0	dimensions	50
3.0	emplacement	51
4.0	ossature	52
4.1	emplacement de l'entrée du gaz	52
4.2	dimensions minimales de l'encadrement	53
4.3	dégagements minimaux de l'enceinte	54
4.4	dégagements minimaux de l'enceinte combustibles	55
4.5	l'installation du linteau en acier	56
5.0	information électrique	57
5.1	connexion de câblage dur	57
5.2	schéma de câblage du récipient	57
5.3	schéma de câblage	58
5.4	installation et opération de la télécommande	59
5.5	opération du module de contrôle	60
6.0	installation du gaz	61
6.1	spécifications de la bouteille de propane	61
6.2	montage de bouteille de gaz propane	61
7.0	opération	62
8.0	pattes de clouage et bande de clouage	63
8.1	installation des pattes de clouage (situé dans le sac manuel)	63
8.2	installation de la bande de clouage	63
9.0	finitions	64
9.1	disposition de bûches en bouleau (BLKO36)	64
9.2	disposition de bûches en chêne (OLKO36)	66
9.3	dégagements minimaux de la tablette	68
9.4	mis en place du logo	68
10.0	réglages	69
10.1	réglage du venturi	69
10.2	caractéristiques de la flamme	69
10.3	vérification de la pression	70
11.0	entretien	71
12.0	pièces de rechange	72
12.1	vue d'ensemble et de l'assemblage de la soupape	73
13.0	accessoires	74
14.0	guide de dépannage	75
15.0	garantie	78
16.0	historique d'entretien	79

note:

L'information contenue dans ce manuel est jugée correcte au moment de l'impression. Wolf Steel Ltd. se réserve le droit de modifier ou de modifier toute information contenue dans ce manuel à tout moment sans préavis. Les modifications, autres que les éditoriaux, sont désignées par une ligne verticale dans la marge.

information générale

FR

Installateur, veuillez remplir les informations suivants:

Client: _____
Adresse: _____
Date d'Installation: _____
Location de l'Appareil: _____
Installateur: _____
Numéro de Contact
du Détaillant/Distributeur: _____
de Série: _____

Modèle:

Naz Naturel: GSS36CFNE

Propane: GSS36CFPE

1.0 information générales

Lorsque l'appareil est installé à une altitude de plus de 4 500 pieds (1372m), et en l'absence de recommandations particulières de l'autorité compétente locale, l'indice certifié du débit à haute altitude devra être réduit au taux de 4% pour chaque 1 000 pieds (305m) supplémentaire. Les bruits causés par l'expansion et la contraction lors des cycles de chauffage et de refroidissement sont tout à fait normaux et il faut s'y attendre. Le changement de l'aspect de la flamme de « HI » à « LO » est plus évident pour le gaz naturel que pour le propane.

Il est fortement recommandée de protéger les bûches contre l'humidité (c.à.d. pluie, neige, etc.). Recouvrez l'ouverture de l'appareil lorsqu'il n'est pas en fonction.

Cet appareil est conçu pour fonctionner avec le type de combustible indiqué sur la plaque d'homologation. Cet appareil ne peut être converti à une autre type de combustible à moins d'utiliser un ensemble de conversion certifié.

L'enveloppe protectrice sur les pièces plaquées est mieux retirée lorsque l'assemblage est à température ambiante, mais cela peut être amélioré si l'assemblage est réchauffé, en utilisant un sèche-cheveux ou une source de chaleur similaire. L'enveloppe protectrice doit être retiré avant d'utiliser l'appareil.

Cet appareil est un produit décoratif. L'appareil n'est pas une source de chaleur et un combustible solide ne doit pas être utilisé avec cet appareil.



Les piles doivent être mises au rebut conformément aux lois et à la réglementation locales. Certaines piles peuvent être recyclées dans votre centre de recyclage local. Renseignez-vous auprès de votre municipalité au sujet des directives de recyclage.

1.1 air comburant et de ventilation

Cet appareil est conçu pour être installé à l'extérieur tel que sur un patio ou dans votre cour. Il ne doit jamais être installé à l'intérieur d'une structure fermée et étanche.

Il est fortement recommandé d'installer cet appareil dans un endroit protégé. Les vents directs causeront des flammes irrégulières et possiblement des pannes de veilluese et de brûleur principal.

Des flammes irrégulières peuvent aussi causer des dépôts de carbone excessifs (suie noire). Cette condition ne compromet pas la sécurité de l'appareil, mais est visuellement indésirable.

Des installations typiques peuvent comprendre des patios recouverts, des vérandas avec moustiquaires, des gazebos, ou des installations contre le mur extérieur de la maison.

Si vous installez un appareil alimenté au propane, le réservoir de propane doit toujours être situé à l'extérieur de la structure.

Assurez-vous que l'endroit possède une ventilation adéquate.

important:

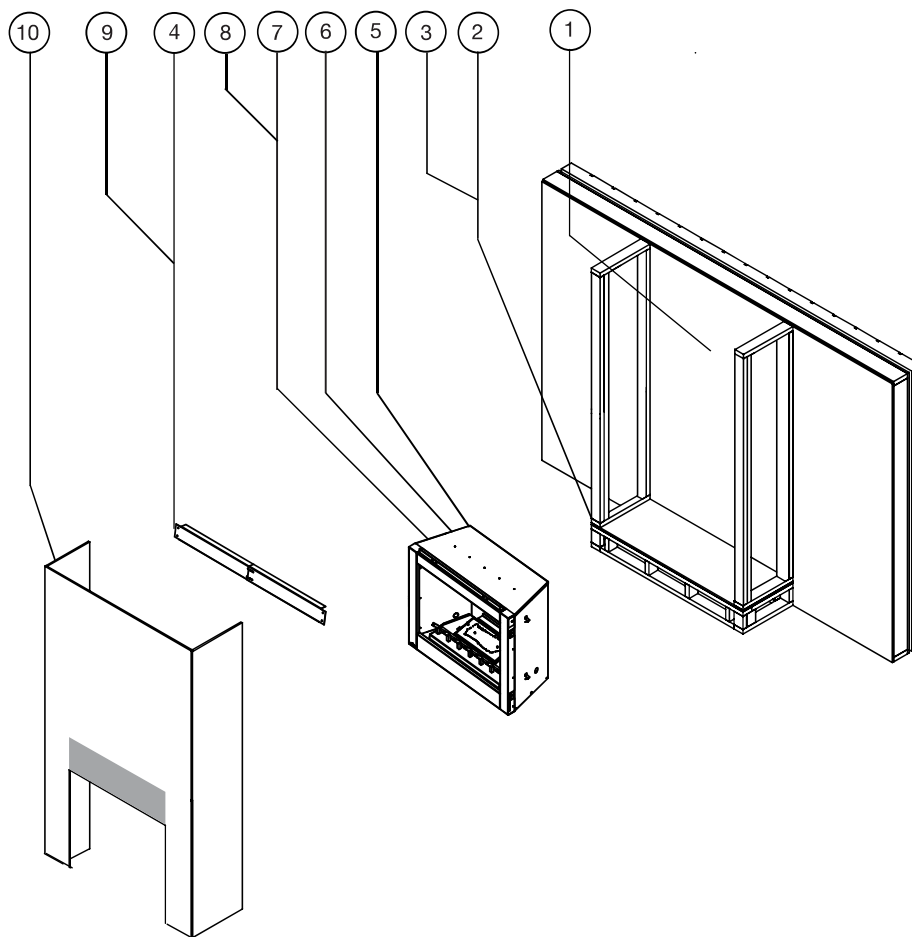
Certains composants et ensembles décoratifs sont emballés séparément, et doivent être installés conformément aux directives de ce manuel.

1.2 taux et efficacités

Pour votre satisfaction, cet appareil a été mis à l'essai pour confirmer son fonctionnement et sa qualité.

	Gaz Naturel	Propane
Altitude (Pl)	0-4 500	
Début Maximale (BTU/HR)	40 000	
Pression Minimale d'Alimentation en Gaz	4,5" (11mb) w.c.	11" (27mb) w.c.
Pression Maximale d'Alimentation en Gax	13" (32mb) w.c.	
Pression au Collecteur Lorsque la Gaz Circule	3,5" (9mb) w.c.	10" (25mb) w.c.

1.3 vue d'ensemble d'installation



1. Placez l'appareil dans le position finale (voir la section « emplacement »).
2. Déterminez l'emplacement de l'entrée du gaz le plus approprié (voir la section « emplacement de l'entrée du gaz »).
3. Déterminez l'enceinte de l'appareil, l'encadrement, façades, accessoires, etc.
4. Installez l'encadrement approximatif (voir la section « encadrement »).
5. Installez toutes câblages électrique (voir la section « information électrique »).
6. Installez les conduites de gaz (voir la section « branchement du gaz »).
7. Testez l'appareil.
8. Installez les pattes de clouage (voir la section « installation des pattes de clouage »).
9. Complétez l'encadrement (voir la section « encadrement »).
10. Complétez les finitions (voir la section « finitions »).

! AVERTISSEMENT

- N'obstruez jamais l'ouverture de l'appareil.
- Les objets placés devant l'appareil doivent être gardés à une distance d'au moins 48" (121.9cm) de la face vitrée de l'appareil.
- Risque d'incendie ou d'explosion.
- Les pressions élevées endommageront la soupape. L'alimentation en gaz doit être débranchée pendant les essais de pression de ce système lorsque les pressions d'essai excèdent 1/2LB/PO² (3,5KPA). Fermez la soupape d'arrêt manuelle pendant tout essai de pression du système d'alimentation en gaz lorsque la pression est de 1/2LB/PO² (3,5mb) ou moins.
- N'utilisez que les accessoires optionnels et les pièces de rechange approuvés par Wolf Steel Ltd. pour cet appareil. L'utilisation d'accessoires non listés (soufflerie, portes, persiennes, moulures, composants de gaz, composants d'évacuation, etc.) pourrait être non-sécuritaire et annulera la garantie et la certification.

CET APPAREIL AU GAZ DEVRAIT ÊTRE INSTALLÉ ET ENTRETENU PAR UN INSTALLATEUR QUALIFIÉ

en se conformant aux codes locaux. Les pratiques d'installation peuvent varier d'une région à l'autre. Il est donc important de connaître les normes spécifiques qui s'appliquent à votre région. Par exemple dans l'état du Massachusetts:

- La soupape d'arrêt doit être un robinet à gaz avec une poignée en T.
- Le raccord flexible ne doit pas mesurer plus que 36 pouces (0.91m).

L'installation doit se conformer aux codes locaux ou, en l'absence de codes locaux, l'installation doit être conforme au Code d'installation du gaz naturel et du propane CSA B149.1 au Canada, ou au National Fuel Gas Code, ANSI Z223.1/ NFPA 54 aux États-Unis.

L'alimentation en gaz de l'appareil doit être débranchée pendant les essais de pression de ce système lorsque les pressions d'essai excèdent 1/2 lb/po² (3,5 kpa). Fermez la soupape d'arrêt manuelle pendant tout essai de pression du système d'alimentation en gaz lorsque la pression est de 1/2 lb/po² (3,5 mb) ou moins. Si la soufflerie ou ventilateur est installer la boîte de dérivation doit être branchée au circuit électrique et mise à la terre conformément aux codes locaux. En l'absence de codes locaux utilisez la version courante du Code Canadien de l'Électricité CSA C22.1 au Canada ou le National Electrical Code ANSI/NFPA 70 aux États-Unis. Dans le cas où le soufflerie est équipé d'un cordon d'alimentation il doit être connecté à une réceptacle correctement mise à la terre. La fiche de mise à la terre ne doit pas être retiré du cordon d'alimentation.

Lorsque l'appareil est installé directement sur une surface combustible autre que le bois, l'appareil devra être monté sur un panneau continu de métal ou de bois se prolongeant sur toute la largeur et la profondeur.

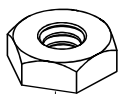
Les combustibles solides ne doivent pas être brûlés dans cet appareil.



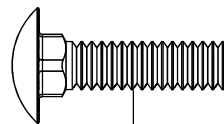
NATIONAL FIREPLACE INSTITUTE
NFI
CERTIFIED
www.nficertified.org

Nous suggérons que nos appareils au gaz soient installés et que l'entretien soit effectué par des professionnels certifiés par le National Fireplace Institute® (NFI) comme spécialiste du gaz NFI.

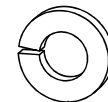
1.4 liste des pièces



1



2



3

	DESCRIPTION	NO. DE PIÈCE	QUANTITÉ
1	Écrou, Hexagonale #10-24	W450-0014	3
2	Boulon, #10-24 Chariot	W065-0027	3
3	Rondelle, 1/4 Verrou	W735-0001	3


note:

Seulement les attaches fournies avec l'appareil sont illustrées.

1.5 plaque d'homologation

Certified to Canadian and American National Standards: **CSA 2.22-XXXX / ANSI Z21.50-XXXX for Vented Decorative Gas Appliances**
 Certifié selon les normes Nationales Canadiennes et Américaines: **CSA 2.22-XXXX / ANSI Z21.50-XXXX pour les Appareils à gaz décoratif à évacuation**

Direct vent, vented gas fireplaces. Approved for bedroom, bathroom and bed-sitting room installation. Suitable for mobile home installation, if installed in accordance with the current standard CAN / CSA Z240MH Series gas equipped mobile homes in Canada, or, in the United States, the *Manufactured Home Construction and Safety Standard, Title 24 CFR, Part 3280*. When this US Standard is not applicable, use the *Standard for Fire Safety Criteria for Manufactured Home Installations, Sites and Communities, ANSI / NFPA 501A*. This appliance must be installed in accordance with local codes, if any; if none, follow the current ANSI Z223.1 or CSA B149. **For use with barrier WXXX-XXXX. Follow installation instructions.**
 Foyer à gaz ventilé, Homologué pour installation dans une chambre à coucher, une salle de bain et un studio. Appropriate pour installation dans une maison mobile si son installation conforme aux exigences de la norme CAN / CSA Z240MH Séries de maisons mobile équipées au gaz en vigueur au Canada, ou, aux États-Unis selon la norme *24 CFR, Part 3280, Manufactured Home Construction and Safety Standard*. Dans le cas où cette norme d'États-Unis n'est pas pertinente, utiliser la norme *NFPA 501A, Fire Safety Criteria for Manufactured Home Installations, Sites and Communities*. Installer l'appareil selon les codes ou règlements locaux ou, en l'absence de tels règlements, selon les codes d'installation ANSI Z223.1 ou CSA B149 en vigueur. **Utiliser uniquement avec l'écran WXXX-XXXX. Suivre les instructions d'installation.**

 **REFERENCE 161746**

9700539 (WSL) 4001658 (NAC) 4001657 (NGZ) 4001659 (WUSA)

MODEL / MODÈLE

<input type="checkbox"/> XXXX	<input type="checkbox"/> XXXX	<input type="checkbox"/> XXXX	<input type="checkbox"/> XXXX
<input type="checkbox"/> XXXX	<input type="checkbox"/> XXXX	<input type="checkbox"/> XXXX	<input type="checkbox"/> XXXX

Altitude Input XX,XXX 0-XXXXft (0-XXXXm) XX,XXX XX,XXX XX,XXX
 Reduced Input P4 XX,XXX% XX,XXX% XX,XXX% XX,XXX% XX,XXX%

Manifold Pressure: 3.5" w.c. (NG) 10" w.c. (P) 11" w.c. (P) 13" w.c. (P)
 Minimum Supply Pressure: 4.5" w.c. (NG) 10" w.c. (P) 11" w.c. (P) 13" w.c. (P)
 Maximum Supply Pressure: 7" w.c. (NG) 10" w.c. (P) 11" w.c. (P) 13" w.c. (P)

Pression au Collecteur: 3.5" d'une colonne d'eau (GN) 10" d'une colonne d'eau (P) 11" d'une colonne d'eau (P) 13" d'une colonne d'eau (P)
 Pression d'Alimentation Min.: 4.5" d'une colonne d'eau (GN) 10" d'une colonne d'eau (P) 11" d'une colonne d'eau (P) 13" d'une colonne d'eau (P)
 Pression d'Alimentation Max.: 7" ** d'une colonne d'eau (GN) 10" d'une colonne d'eau (P) 11" d'une colonne d'eau (P) 13" d'une colonne d'eau (P)

** Maximum inlet pressure not to exceed 13". Pression d'alimentation maximale ne doit pas dépasser 13".
Minimum clearance to combustible materials: **Dégagements minimaux des matériaux combustibles:**
 Top, sides & back: per standoff spacers for framing and finishing materials. For non-combustible framing and finishing materials, see installation manual. Dessus, côtés et arrière: selon les espacements de dégagements pour les matériaux de finition.
 Top X" Dessus X"
 Floor X" Plancher X"
 Sides X" Côtés X"
 Back X" Arrière X"
 Vent 1/8" X" Dessus du conduit d'évent X"
 Ventsides & bottom X" Côtés et dessous du conduit d'évent X"
 Recessed depth X" Profondeur d'encastrement X"
 *** Mantel X" from appliance opening *** Tablette X" de l'ouverture de l'appareil
 *** Maximum horizontal extension: X". See installation manual for greater extension, minimum vent lengths and maximum vent lengths. *** L'extension horizontale maximale: X". Référez au manuel d'installation pour des extensions plus grandes, les longueurs d'évacuation minimales et maximums.
 Electrical rating: 115V, 60Hz, Less than 12 ampere. Spécifications électriques: 115V, 60Hz, Moins de 12 ampère.

VENTED DECORATIVE GAS APPLIANCE: NOT A SOURCE OF HEAT, NOT INTENDED FOR USE AS A HEATING APPLIANCE, NOT FOR USE WITH SOLID FUEL.
APPAREIL À GAZ DÉCORATIF À ÉVACUATION: N'EST PAS UNE SOURCE DE CHALEUR; N'EST PAS DESTINÉ À ÊTRE UTILISÉ COMME UN APPAREIL DE CHAUFFAGE; NE CONVIENT PAS AUX COMBUSTIBLES SOLIDES.

FOR USE WITH GLASS DOORS CERTIFIED WITH THIS APPLIANCE ONLY. POUR UTILISATION UNIQUEMENT AVEC LES PORTES EN VERRE CERTIFIÉES AVEC L'APPAREIL.

For natural gas when equipped with No. XX drill size orifice.
 For propane when equipped with No. XX drill size orifice.
 Convient au gaz naturel quand l'appareil est muni d'un injecteur de diamètre no. XX.
 Convient au propane quand l'appareil est muni d'un injecteur de diamètre no. XX.

WARNING: Do not add any material to the appliance which will come in contact with the flames, other than that supplied by the manufacturer with the appliance.
AVERTISSEMENT: N'ajoutez pas à cet appareil aucun matériau devant entrer en contact avec les flammes autre que celui qui est fourni avec cet appareil par le fabricant.
 The appliance must be vented using the appropriate Napoleon vent kit. See installation manual for venting specifications. Proper reinstallation and resealing is necessary after servicing the vent-air intake system.
 L'appareil doit être ventilé à l'aide de l'ensemble d'évacuation propre à Napoleon. Référez au manuel d'installation pour les spécifications d'évacuation. Il est nécessaire de bien réinstaller et resceller l'évacuation après avoir exécuté l'entretien du système de prise d'air.

Serial Number / N° de Série: **XXXX** **W385-XXXX**

WOLF STEEL LTD., 24 Napoleon Road, Barrie, ON, L4M 0G8 Canada

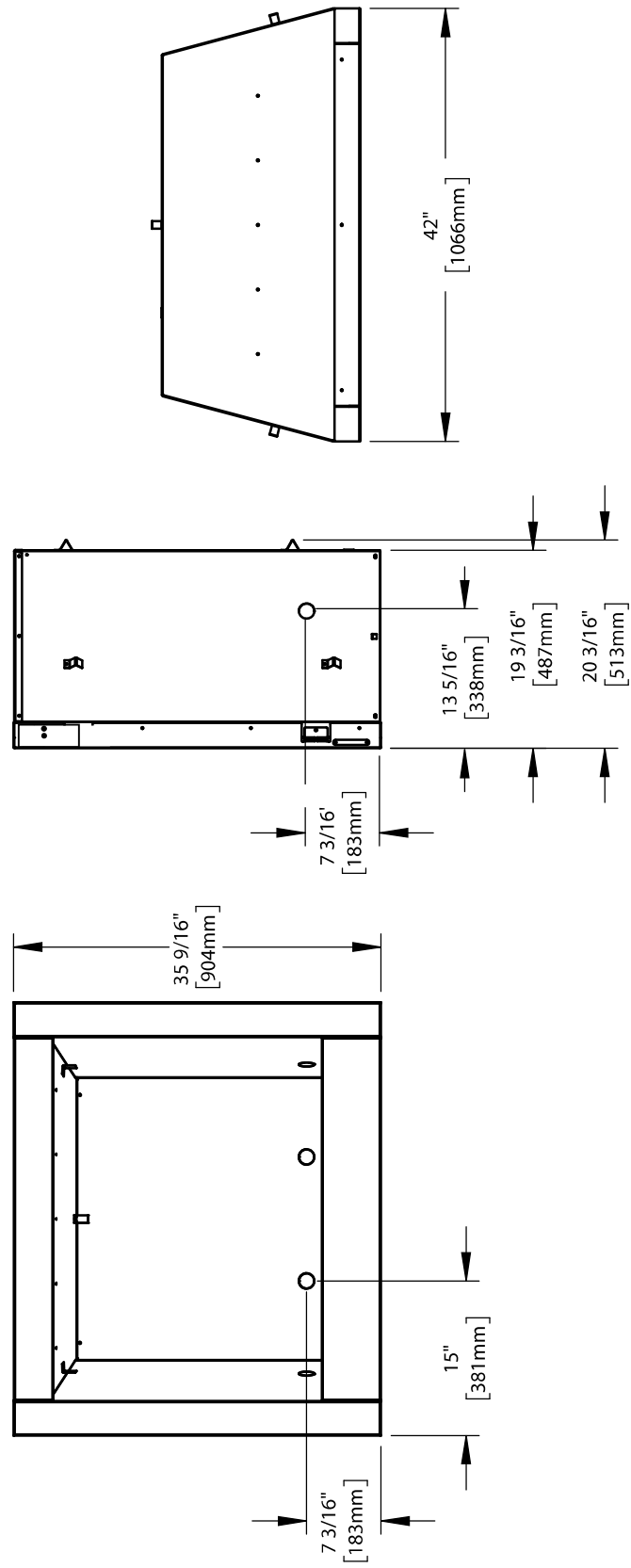
Cette illustration est à titre de référence seulement. Consultez la plaque d'homologation pour obtenir l'information précise.

note:
 La plaque d'homologation doit rester avec l'appareil à tout instant. Il ne doit pas être enlevé.

2.0 dimensions

FR

vue de face vue de côté droit vue de dessus



Lors du choix d'un emplacement de votre l'appareil extérieur, il est important d'assurer que le dégagement près des matériaux combustibles adjacents est respecté. Cet appareil est conçu pour être installé sur votre terrasse ou dans votre cour arrière. Il est fortement recommandé que cet appareil soit installé dans un endroit couvert (selon les directive énoncées ci-dessous). Un vent direct provoquera une flamme irrégulière et possiblement une panne de veilleuse ou de brûleur. Une flamme irrégulière pourrait également entraîner des dépôts de carbone excessifs (suie noir). Cela n'affecte pas la sécurité, mais est visuellement indésirable.

note:

Lorsque vous choisissez un emplacement pour votre appareil, prenez soin d'éviter les endroits trop humides ou à proximité de sources d'eau courantes.

Tout enceinte (abri) dans laquelle l'appareil est utilisé doit être conforme à l'un des éléments suivants:

Installation à l'intérieur d'une enceinte qui comporte des murs de chaque côté, mais au moins une ouverture permanente au niveau du sol et aucun recouvrement sur le dessus (FIG. 1).

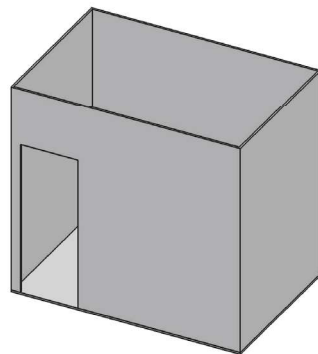


FIG. 1

Installation à l'intérieur d'une enceinte partielle qui comprend un recouvrement sur le dessus et deux murs latéraux au maximum. Ces murs peuvent être parallèles l'un par rapport à l'autre, comme dans un passage couvert, ou former un angle droit (FIG. 2).

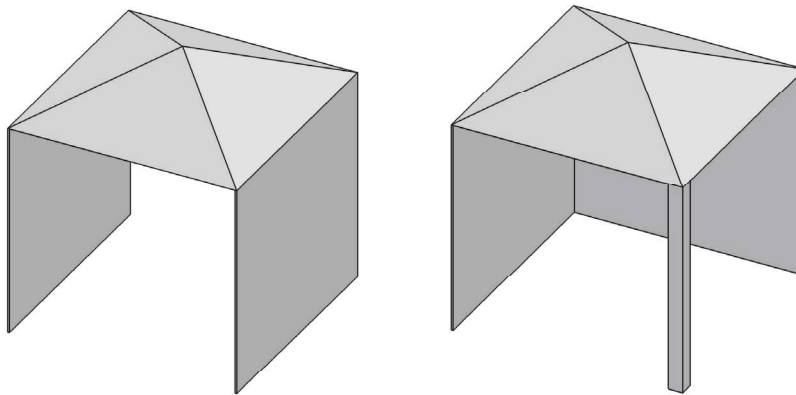


FIG. 2

L'installation à l'intérieur d'une enceinte partielle qui comprend un recouvrement sur les dessus et trois murs latéraux, dans la mesure où 30 pour cent plus de la périphérie horizontale de l'enceinte est ouverte en permanence (FIG. 3).

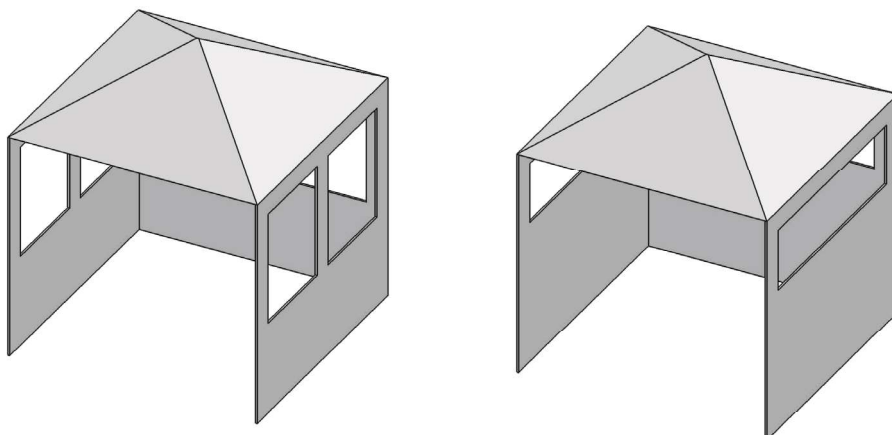


FIG. 3

4.0 ossature

FR

note:

Lorsque vous installez les accessoires de finition optionelles, les dimensions de l'ossature et les matériaux de finition peuvent différer de ce qui est décrit dans ces instructions ci-dessous, voir les instructions fournies dans le trousse de l'accessoire pour les spécifications détaillées.

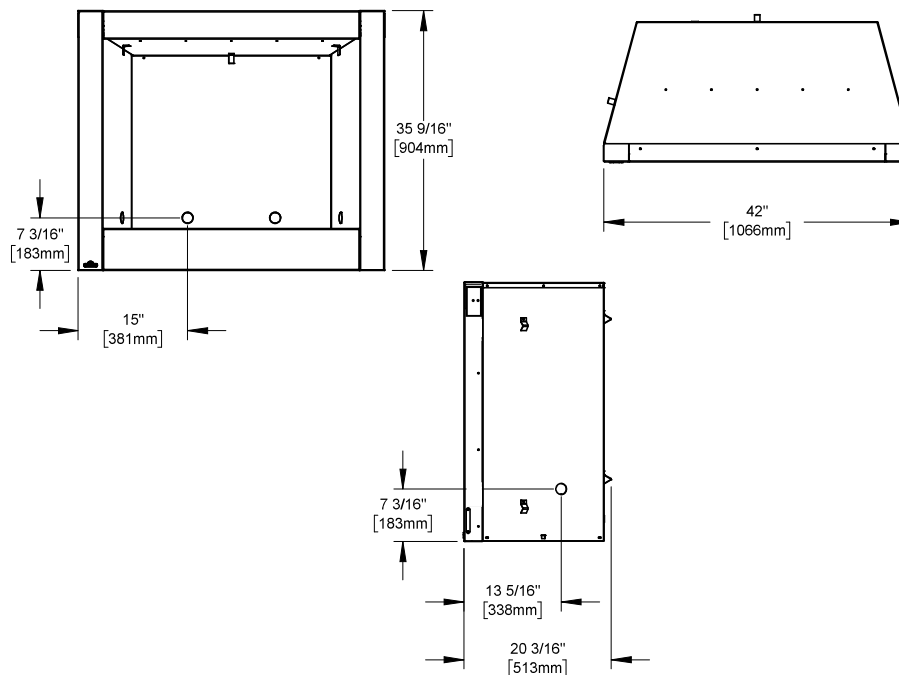
! AVERTISSEMENT

- Risque d'incendie!
- Afin d'éviter la possibilité que de l'isolation ou un coupe-vapeur entrent en contact avec l'extérieur du caisson, il est conseillé d'installer l'appareil contre des murs finis (C.-À-D. panneau de gypse) comme tout autre mur de la maison. Ceci assurera que les dégagements aux matériaux combustibles est maintenu.
- Ne faites pas d'entailles à l'ossature autour des espaceurs. Ne pas maintenir les dégagements peut causer une surchauffe et un incendie. Empêchez tout contact avec de l'isolant qui s'affaisse, avec l'ossature ou avec tout autre matériau combustible. Bloquez l'entrée de l'enceinte pour empêcher l'infiltration d'isolant soufflé. Assurez-vous que l'isolation et les autres matériaux sont bien fixés.
- Lorsque vous construisez l'enceinte, prévoyez l'épaisseur des matériaux de finition pour maintenir les dégagements. Si l'ossature ou les matériaux de finition se trouvent à une distance inférieure à celle indiquée, ils doivent être faits d'acier, de fer, de brique, de tuile, de béton, d'ardoise, de verre ou de plâtre, ou d'une combinaison de ces matériaux sont appropriés. Les matériaux répondant à la norme ASTM E 136, méthode de test standard du comportement des matériaux dans une fournaise avec tube vertical à 1382°F (750°C), et à la norme UL763 sont considérés comme étant des matériaux non combustibles.
- Afin d'éviter un risque d'incendie, les dégagements minimaux aux matériaux combustibles doivent être maintenus.
- L'enceinte de l'appareil doit respecter la hauteur minimale requise. Mesurez à partir de la base de l'appareil.
- Si des ensembles de montants en acier avec panneau de ciment sont fournis, ou spécifié dans les instructions d'installation, ils doivent être installés.
- Si spécifié dans les instructions d'installation, les matériaux de finition doivent être non-combustibles placer éclat avec le face de l'appareil étendue du sommet de l'appareil comme le conseil de ciment, le carreau en céramique, le marbre, etc. N'utilisé pas des bûches ou le cloison sèche. N'importe quel feu à évalué du cloison sèche n'est pas acceptable.

Il est recommandé d'installer l'appareil contre des murs finis. Ceci assurera que les dégagements aux matériaux combustibles sont maintenus dans la cavité. Il est recommandé d'encadrer votre appareil après son positionnement. Utilisez les 2x4s et suivez les codes locaux.

4.1 emplacement de l'entrée du gaz

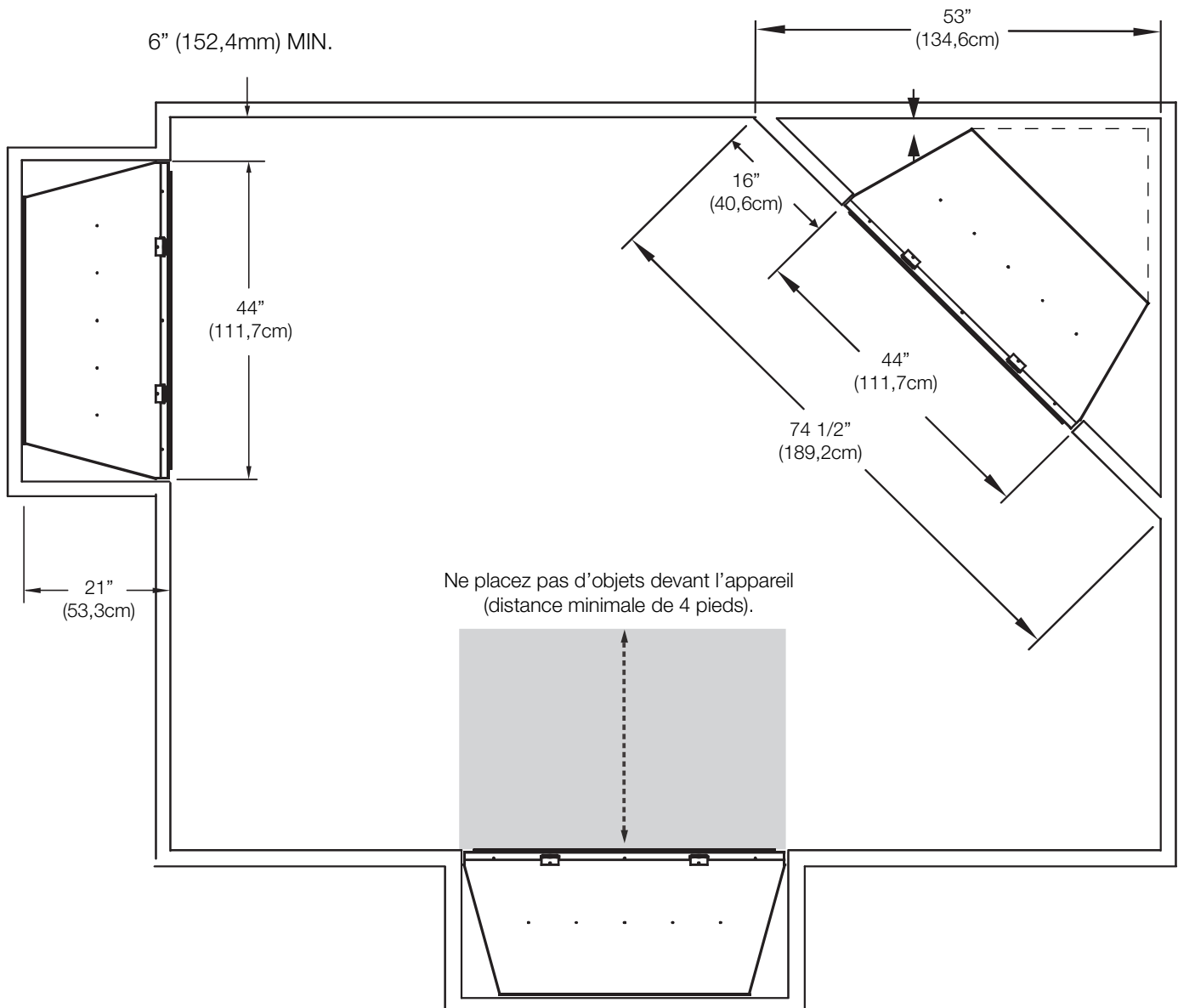
Le caisson compte cinq emplacements pour l'entrée du gaz. Un de chaque côté de l'appareil, deux à l'arrière, et l'autre à la base. À l'aide des illustrations suivantes, déterminez l'emplacement idéal, puis enlevez la plaque poinçonnée.

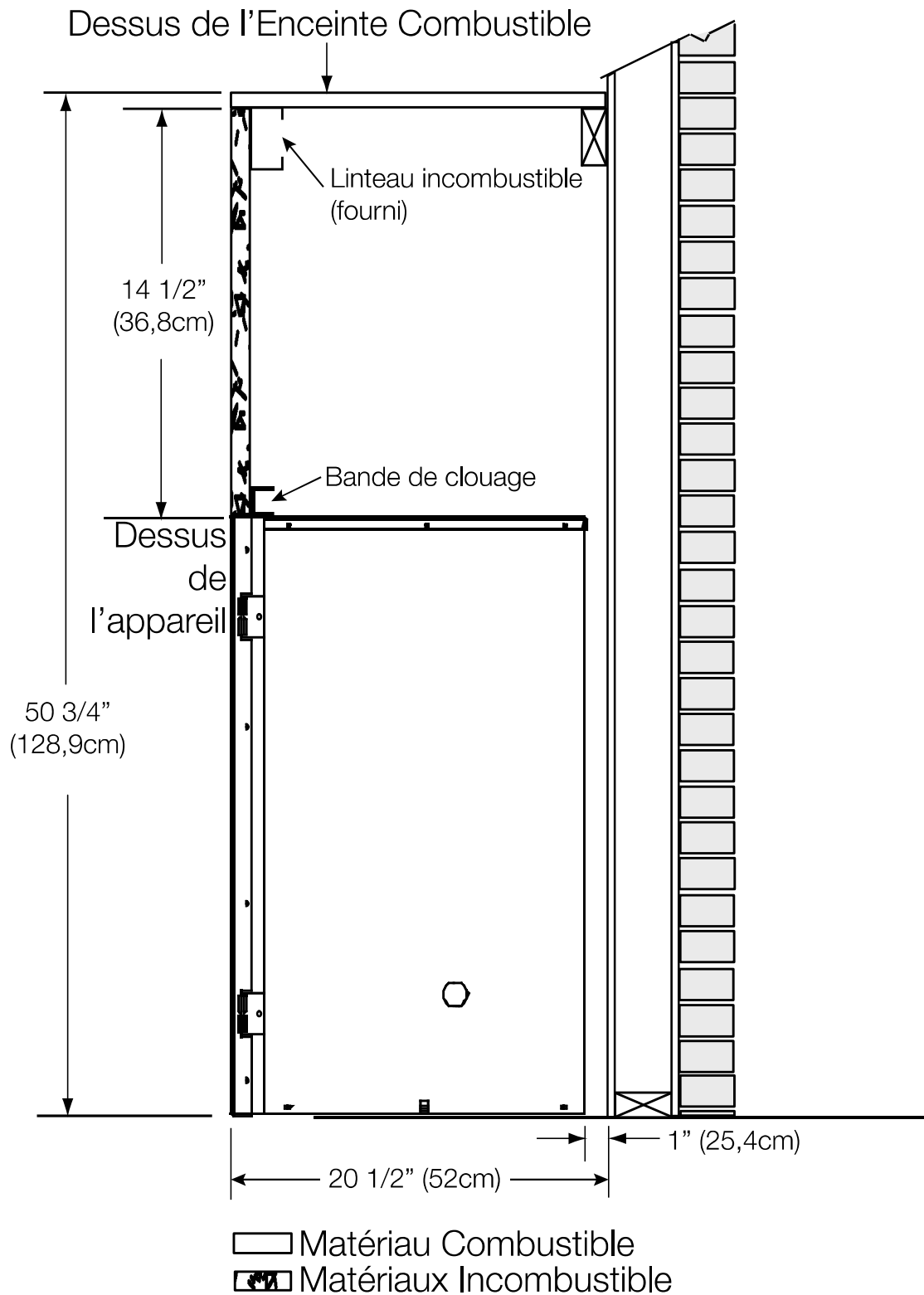


4.2 dimensions minimales de l'encadrement

Dégagements minimaux de l'appareil et des surfaces d'évacuation aux matériaux combustibles:

Encadrement	0" (0mm) aux espaceurs (à l'arrière et sur les côtés seulement). Utilisez un linteau en acier dans le haut et deux montants en acier sur les côtés.
Finitions	1" (25mm) à l'arrière et sur les côtés.
Encadrement incombustible	14 1/2" (36,8cm) du dessus et les côtés.
Profondeur de l'encave	20 1/2" (52cm)
Haut de l'enceinte	50 3/4" (128,9cm) du bas de l'appareil
Dégagement du plafond	72" (182,8cm) du bas de l'appareil

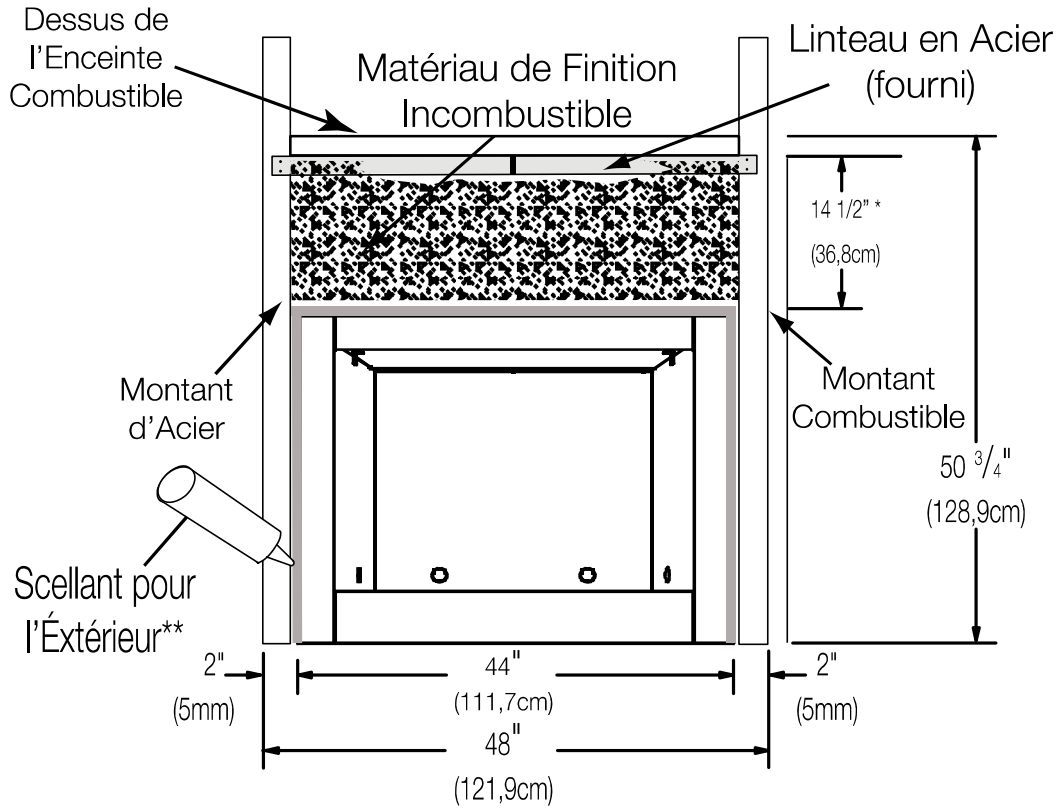




L'enceinte de l'appareil doit avoir une hauteur minimale de 50 3/4" (128,9cm).

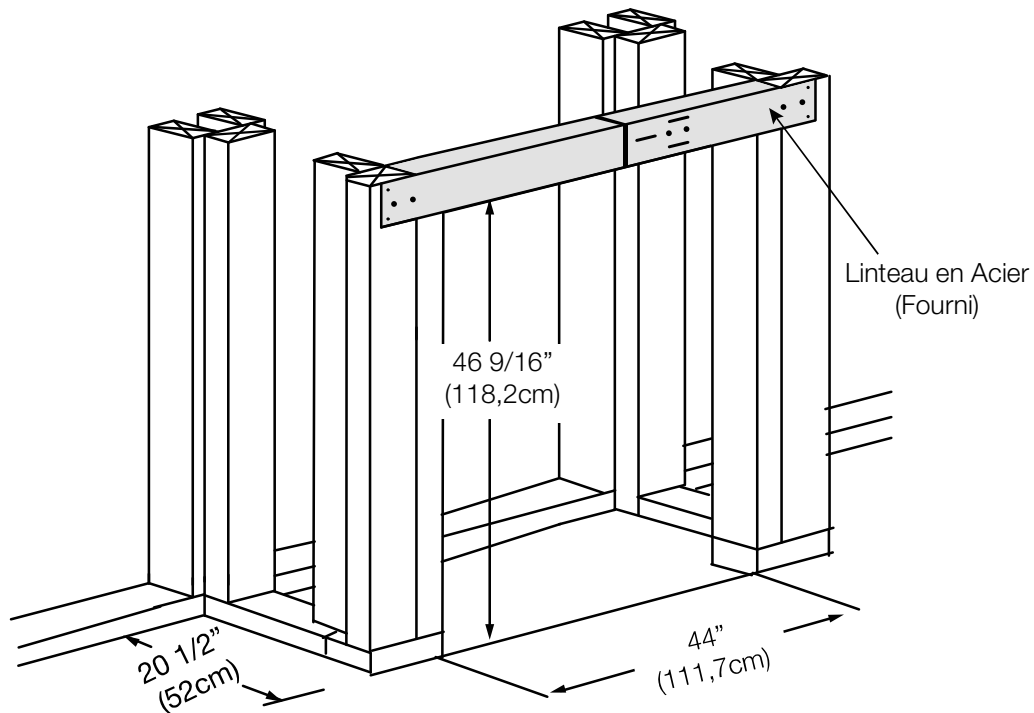
Afin de respecter les contraintes de température, l'espace à l'intérieur de l'enceinte, autour de l'appareil et au-dessus doit demeurer sans obstructions.

4.4 dégagements minimaux de l'enceinte combustibles



* Du dessus de l'appareil.

** Pour empêcher la pénétration d'eau dans l'enceinte, vous devez appliquer un scellant pour l'extérieur tout autour de l'appareil et le long des matériaux incombustibles.



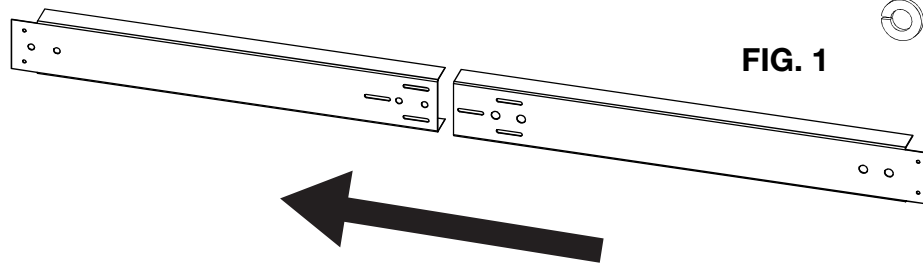
4.5 l'installation du linteau en acier

1. Faites glisser les 2 pièces du linteau en acier ensemble. Assurez-vous d'aligner les 3 fentes. (FIG. 1).

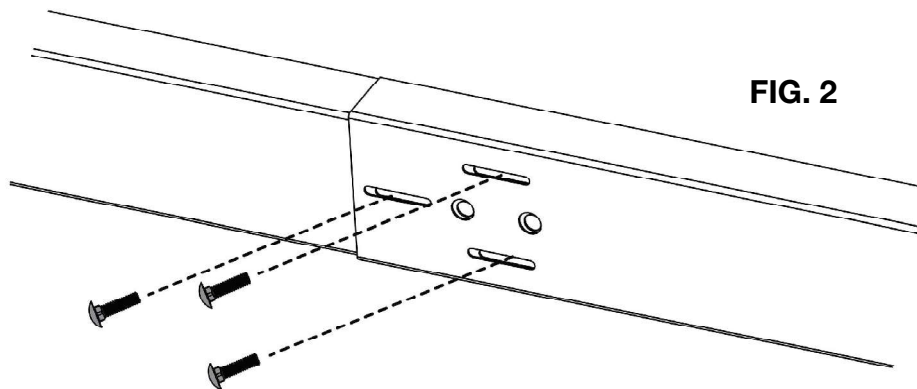
 Type 1 (x3)

 Type 2 (x3)

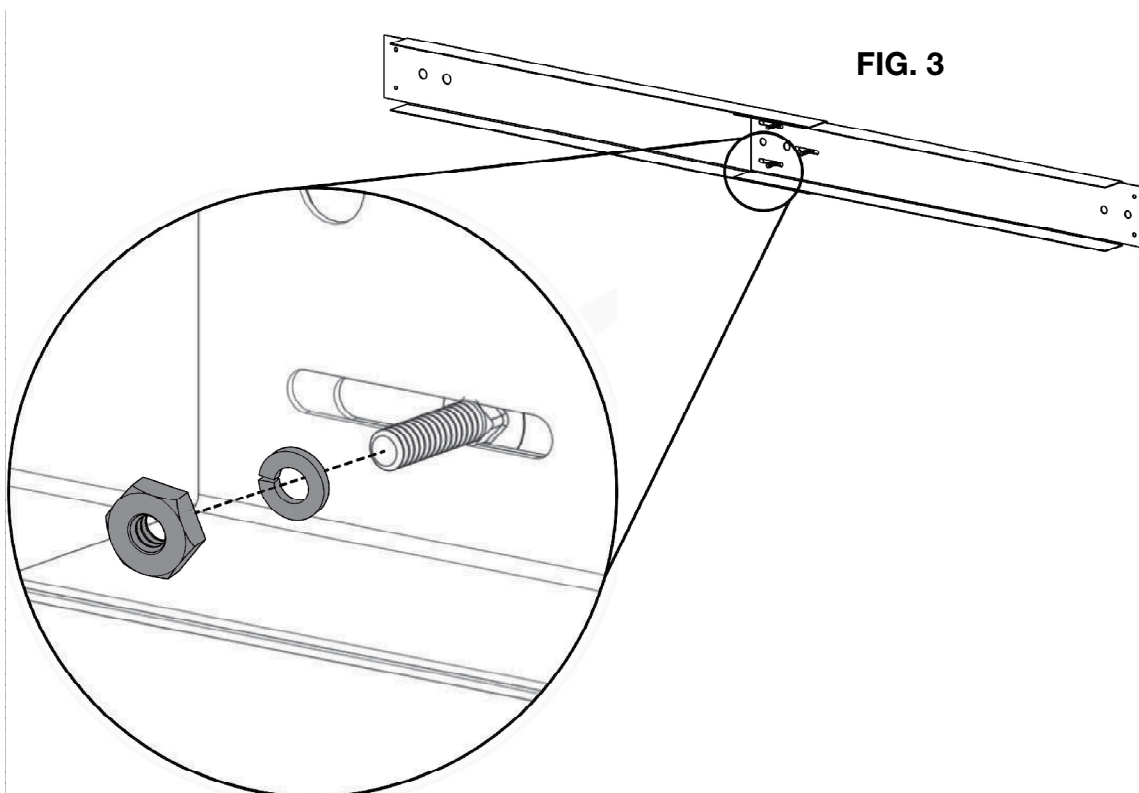
 Type 3 (x3)



2. Insérez les 3 boulons fournis (Type 2) dans les 3 fentes (FIG. 2).



3. Fixez les 3 écrous (Type 1) et les 3 rondelles (Type 3) à l'arrière des boulons (FIG. 3).



Vue de Côté Arrière

5.1 connexion de câblage dur

Vous devez effectuer un brachement par câble avec cet appareil.

Une charpente permanente servant à encastrer l'appareil nécessite un brachement par câble de la boîte de dérivation de l'appareil. Cet appareil doit être raccordé électriquement et mis à la terre conformément aux codes locaux. En l'absence de codes locaux, utilisez la version courante du Code Canadien de l'Électricité CSA C22.1 au Canada ou le National Electrical Code ANSI / NFPA aux États-Unis.

5.2 schéma de câblage du réceptacle

! AVERTISSEMENT

- N'utilisez pas cet appareil si une partie quelconque a été submergée. Contactez immédiatement un technicien de service qualifié pour inspecter l'appareil pour des dommages au circuit électrique.
- Risque de chocs électriques ou d'explosion. Ne branchez pas le 110 V à la soupape ou à l'interrupteur mural de l'appareil. Un branchement électrique incorrecte endommagera les contrôles.
- Cet appareil doit être raccordé électriquement par un électricien qualifié conformément aux codes locaux. En l'absence de codes locaux, utilisez la version courante du Code Canadien de l'Électricité CSA22.1 ou le National Electrical Code ANSI/NFPA NO. 70 aux États-Unis.

- Retirez les deux vis sécurisant l'assemblage du boîte jonction à la couche extérieure sur le côté gauche de l'appareil puis retirez-le.
- Retirez la seul vis sécurisant la boîte jonction à la plaque de boîte jonction puis glissez-le hors du pince.
- Faites passer le fil d'alimentation à travers le trou de 7/8 po (22,2 mm) de la plaque de la boîte de jonction avec un connecteur de boîte (non fourni).
- Branchez the 120 volt supply wire to the receptacle selon la version courante du Code Canadien de l'Électricité CSA C22.1 Canadian Electrical Code ou le National Electrical Code ANSI/NFPA N°.70 aux États-Unis.
- Lorsque le câblage est complet, réinstallez la plaque jonction à la plaque de boîte jonction puis résécurisez le vis enlever dans étape B.
- Réinstallez l'assemblage de boîte jonction en renversant étape A. Assurez-vous que toutes les prises sont sécurisés sur le boîte jonction.

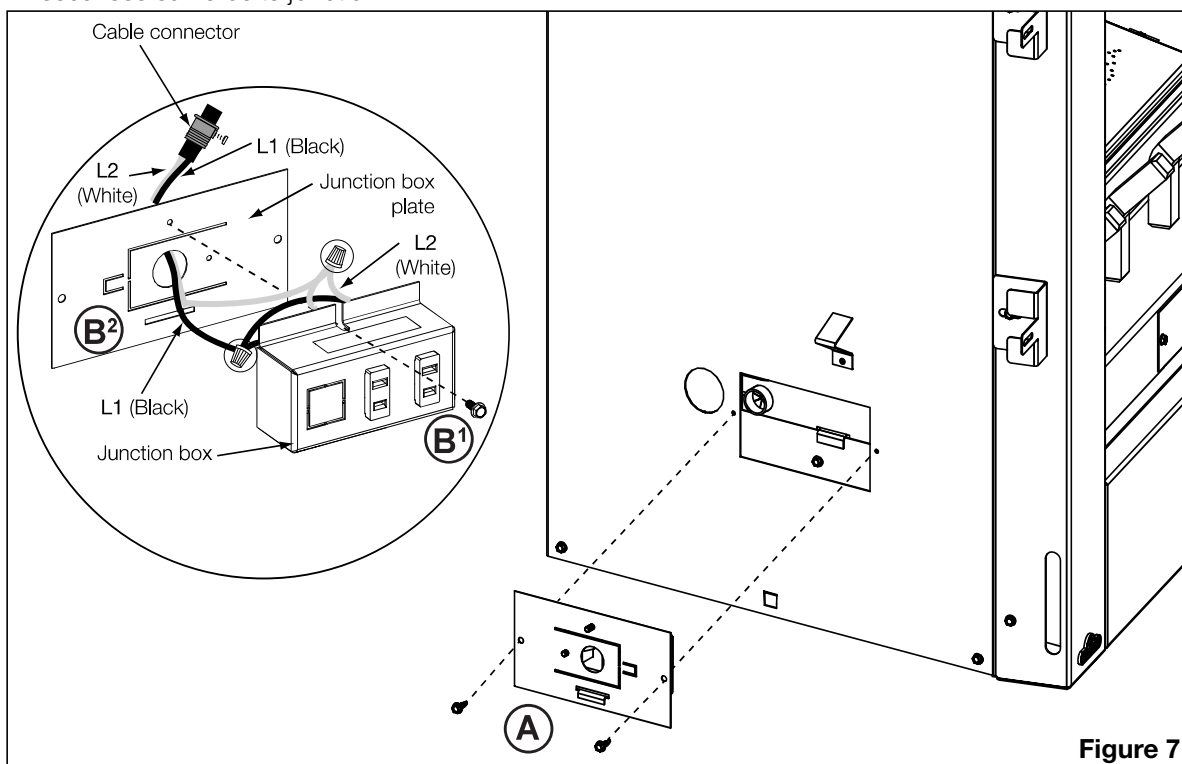


Figure 7

⚠ AVERTISSEMENT

- Ne raccordez pas l'interrupteur mural ou la soupape de gaz à l'alimentation électrique (110V).

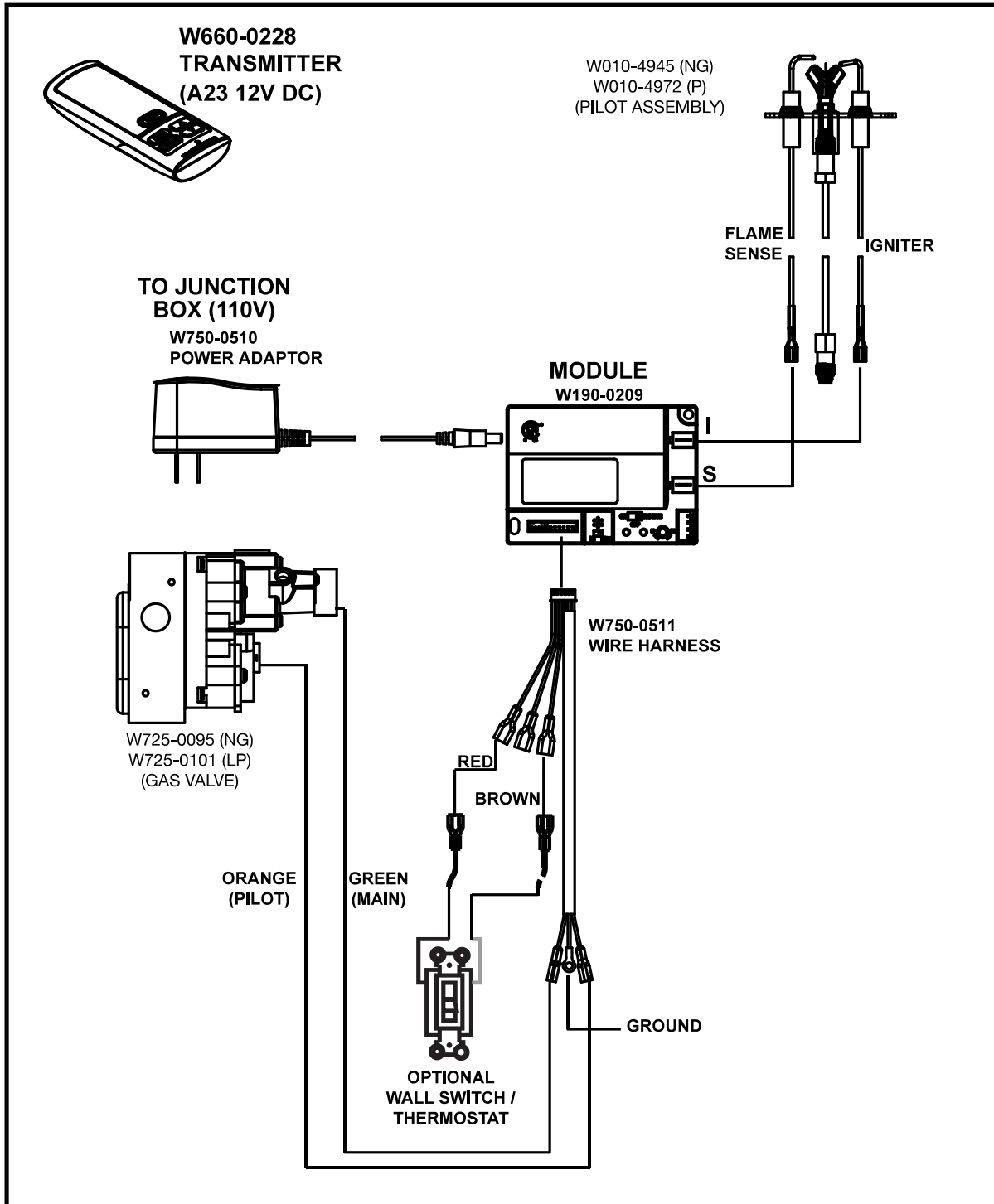


Figure 8

5.4 installation et opération de la télécommande

Une télécommande est livrée en standard avec cet appareil et se trouve dans le sac manuel. Cette contrôle est conçue pour allumer (« ON ») et éteindre (« OFF ») votre appareil.

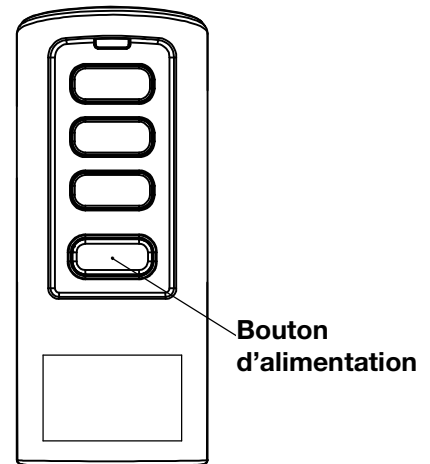
Le placement de la télécommande peut affecter les performances. Cet contrôle doit se trouver dans le même espace que l'appareil et être utilisée pour faire fonctionner l'appareil uniquement lorsqu'il est en vue. La contrôle doit être placée à moins de 30 pieds de l'appareil et sous un couvercle résistant aux intempéries lorsqu'elle est utilisée dans des applications extérieures.

! AVERTISSEMENT

- Risque de brûlure! Assurez que l'appareil est refroidi avant de commencer cet processus.

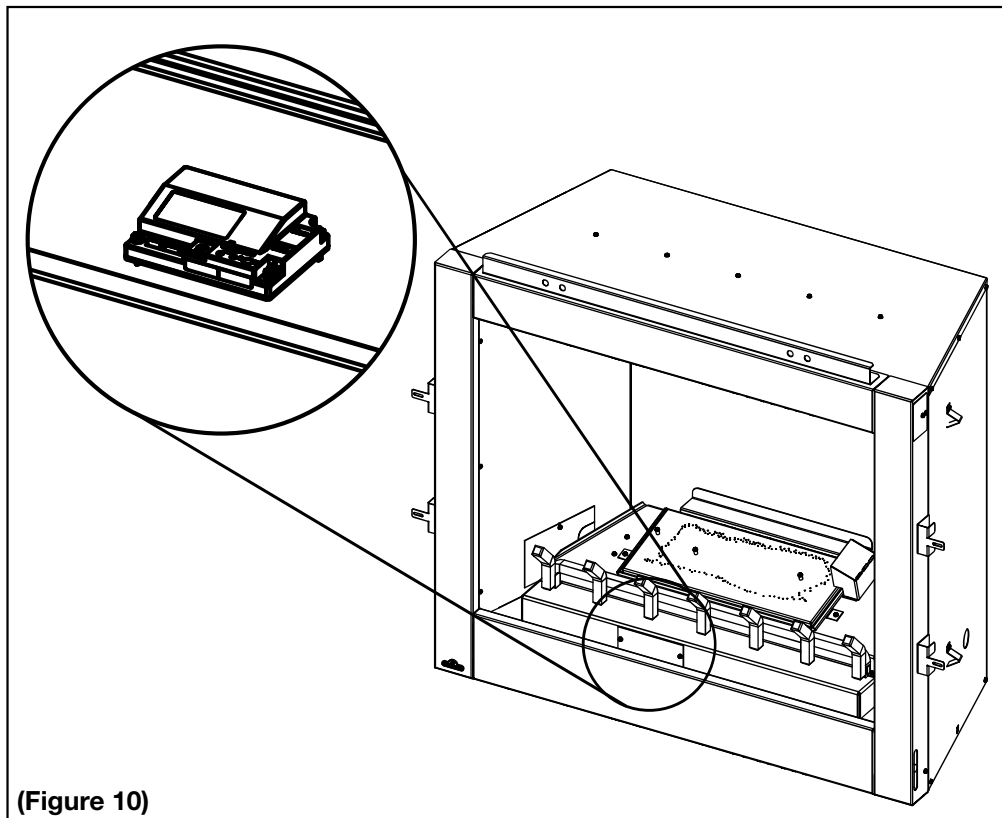
Initialisation de la télécommande pour la première fois:

- Retirez la couvercle de piles de l'arrière de la télécommande et installez les piles A23 comme indiqué (+/-)
- Localisez le module de contrôle de l'appareil (**Figure 10**).
- Glissez le commutateur de la télécommande à la position « REMOTE ». Le module de contrôle émettra un bip pour signaler qu'il est prêt (**Figure 9**).
- À l'aide d'un itème petit (comme un trombone) appuyez et relâchez le bouton « LEARN » situé près de l'interrupteur (**Figure 9**).
- Le module de contrôle émettra un bip et le feu « STATUS » clignotera vert pour 10 secondes.
- Lorsque le feu se clignote, appuyez sur le bouton d'alimentation sur la télécommande. Le module émettra deux bips pour signaler qu'il est maintenant prêt à communiquer avec la télécommande.



note:

Pour dégager la mémoire du module de contrôle, appuyez et relâchez le bouton « LEARN » à l'aide d'un trombone. Le module émettra un bip et le feu « STATUS » clignotera vert pour 10 secondes. Ne pas appuyez sur aucun boutons sur la télécommande durant ce temps et la mémoire devrait être dégager.



(Figure 10)

! AVERTISSEMENT

- **Risque d'explosion! NE PAS** réinitialisez le module plus d'une fois dans une période de cinq minutes. Le gaz peut s'accumuler dans la chambre de combustion. Appelez un technicien de service qualifié.

Figure 9

1. Le module de contrôle est équipé avec un interrupteur « ON / OFF / REMOTE » qui doit être régler (**Figure 9**).

Position « OFF »: L'appareil ignorera entrées électrique et ne pas répondra aucuns commandes de l'interrupteur mural ni la télécommande. L'appareil devrait être à la position « OFF » pendant l'installation, l'entretien, le conversion du type de gaz et si le contrôle se mise en mode « LOCK-OUT » du fait d'un code d'erreur.

Position « ON »: L'appareil s'allumera and se marchera continuellement. Cet mode opération est utilisé principalement for l'installation initiale.

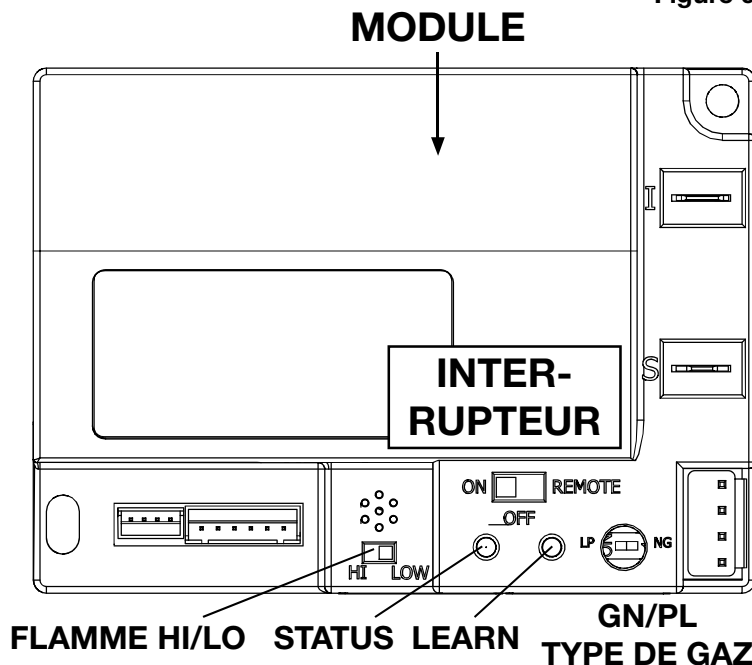
Position « REMOTE »: L'appareil amorcera les commandes de l'interrupteur mural optionnel et/ou la télécommande sans fil.

2. Si vous désiré d'utiliser l'interrupteur mural optionnel (câblé) et la télécommande pour faire fonctionner l'appareil, l'interrupteur mural outrepassera toutes commandes donnée de la télécommande.

3. **Réinitialisation du Module:** Ce module peut se mise en mode de verrouillage sous certaines conditions. Lorsque cela se produit, l'appareil ne s'allume pas et ne répond pas aux commandes. Le module passera en mode de verrouillage en émettant trois bips sonores, puis en affichant en continu un code d'erreur ROUGE / VERT sur son indicateur LED d'état (« STATUS »).

- Tournez le bouton de contrôle de gaz vers le droite à « OFF ». (Elle est située sur le connecteur flexible).
- Réglez l'interrupteur du module à la position « OFF ».
- Attendez cinq (5) minutes pour que le gaz puisse s'échapper.
- Tournez soupape fermeture manuelle vers le gauche à « ON ».
- Réglez l'interrupteur du module à la position « ON » ou « REMOTE ».
- Démarrez l'appareil.

4. **Réglage de Verrouillage pour Enfant:** Glissez le couvercle de pile vers le bas de l'arrière de la télécommande. Glissez le commutateur de verrouillage pour enfant pour activer ou désactiver le fonction.



note:

Aucune fonction ne sera utilisable tant que la fonction de verrouillage pour enfant n'est pas désactivée.

AVERTISSEMENT

- Risque d'incendie, d'explosion, ou d'asphyxie. Assurez-vous qu'il n'y ait aucune source d'allumage comme des étincelles ou une flamme nue.
- Soutenez le contrôle du gaz lorsque vous attachez le tuyau pour éviter de plier la conduite de gaz.
- Allumez toujours la veilleuse, que ce soit pour la première fois ou lorsque l'approvisionnement en gaz est épuisé, avec la porte vitrée ouverte ou retirée. La purge doit être effectuée par un technicien qualifié. Assurez-vous que l'arrivée de gaz au brûleur est continue avant de fermer la porte. Assurez-vous d'une ventilation adéquate. Pour les emplacements de l'entrée du gaz et de l'entrée électrique, voir la section « dimensions ».
- Lorsque le branchement est terminé, tous les raccords de gaz doivent se trouver à l'intérieur de l'appareil.
- Les pressions élevées endommageront la soupape. L'alimentation en gaz doit être débranchée pendant les essais de pression de ce système lorsque les pressions d'essai excèdent 1/2LB/PO² (3,5KPA).
- Les réglages de la soupape ont été faits en usine. Ne les modifiez pas.

L'installation et l'entretien doivent être effectués par un installateur qualifié.

- Mettez l'appareil en place et fixez-le.
- Si l'appareil est muni d'un raccord flexible, celui-ci est conçu pour recevoir une conduite de gaz de 1/2" (13mm). Sans raccord flexible, l'appareil est conçu pour recevoir une conduite de gaz de 3/8" (9,5mm). L'appareil est muni d'une soupape d'arrêt manuelle pour fermer l'alimentation en gaz.
- Branchez le gaz en conformité avec les codes locaux. En l'absence de codes locaux, l'installation doit être conforme au code d'installation du gaz CAN/CSA-B149.1 dans sa version pour le Canada ou le National Fuel Gas Code, ANSI Z223.1 / NFPA 54 pour les États-Unis.
- Lorsque vous manipulez des conduites de gaz, soutenez la soupape de gaz pour éviter que les conduites ne se plient.
- Le raccord flexible de l'alimentation en gaz devrait être suffisamment mobile pour permettre de placer l'assemblage du brûleur sur le côté.
- Vérifier pour des fuites de gaz en appliquant une solution d'eau savonneuse. **N'utilisez pas une flamme nue.**

Après avoir installé le câblage électrique et les conduites de gaz, assurez-vous de tester l'appareil avant de finir l'ossature et la finition de l'appareil.

6.1 spécifications de la bouteille de propane

AVERTISSEMENT

- Si ces instructions ne sont pas suivies à la lettre, un incendie peut entraîner la mort ou des blessures graves.
- Un incendie se produira si le tuyau d'alimentation en gaz entre en contact avec le dessous de l'appareil.

Une bouteille bosselée ou rouillée peut être dangereuse et doit être vérifiée par votre fournisseur de propane. N'utilisez jamais une bouteille avec une valve endommagée. La bouteille d'alimentation en gaz propane doit être construite et marquée conformément au U.S. D.O.T. Spécifications pour les bouteilles de gaz propane ou la Norme pour les bouteilles, sphères et tubes pour le transport des marchandises dangereuses et la commission, CAN / CSA-B339, selon le cas.

Cet appareil a été conçu pour être utilisé avec une bouteille de propane de 20 lb (9,1 kg) ou 30 lb (13,6 kg) uniquement (non fournie). La bouteille d'alimentation en gaz propane doit être munie d'un dispositif de raccordement de bouteille compatible avec le raccordement de l'appareil. La bouteille de propane doit être munie d'un robinet d'arrêt se terminant par un robinet de bouteille de propane de type QCC1 et d'un dispositif de décharge de sécurité ayant une communication directe avec l'espace vapeur de la bouteille. Le système d'alimentation de la bouteille doit être aménagé pour le retrait de la vapeur et la bouteille doit comprendre un collier pour protéger le robinet de la bouteille. La bouteille de gaz propane doit être équipée d'un dispositif anti-débordement (OPD) homologué. Ne stockez pas une bouteille de gaz propane de rechange sous ou à proximité de cet appareil. Ne remplissez jamais la bouteille à plus de 80%.

N'utilisez que le régulateur de pression et le flexible fournis avec cet appareil. Les régulateurs de pression et les flexibles de remplacement doivent être spécifiés par le fabricant. Le régulateur fournit une pression de 11 pouces de colonne d'eau à l'appareil et dispose d'un raccord de type QCC1. Les bouteilles à utiliser avec cet appareil doivent être fournies avec le robinet de bouteille QCC1. Une bouteille QCC1 a une connexion de siège positive, qui ne permettra pas l'écoulement de gaz jusqu'à ce qu'un joint positif ait été atteint. Il est également équipé d'un dispositif d'excès de débit. Afin d'atteindre le plein débit vers l'appareil, la soupape doit être en position d'arrêt lorsque la soupape de la bouteille est ouverte.

6.2 montage de bouteille de gaz propane

Pour éviter que la bouteille de gaz propane ne bascule, assurez-vous que l'anneau de support de la bouteille est sur une surface plane. Placez le cylindre dans l'anneau de support et serrez la vis à oreilles pour le fixer.

7.0 opération

FR

! AVERTISSEMENT

- Si ces instructions ne sont pas suivies à la lettre, un incendie ou une explosion pourraient s'ensuivre, causant des dommages matériels, des blessures corporelles ou des pertes de vie.
- Si applicable, allumez toujours la veilleuse, que ce soit pour la première fois ou lorsque l'approvisionnement en gaz est épuisé, avec la porte vitrée ouverte ou retirée.

Assurez-vous que l'arrivée de gaz au brûleur est continue avant d'installer la porte. Lorsqu'il est allumé pour la première fois, l'appareil dégagera une légère odeur pendant quelques heures. Cela est une condition normale temporaire causée par le conditionnement des bûches et l'évaporation des peintures et lubrifiants internes utilisés dans le processus de fabrication; elle ne se reproduira plus. Après de longues périodes sans utiliser l'appareil, comme à la suite de vacances ou à la fin de l'été, il se peut qu'une légère odeur se dégage pendant quelques heures. Ceci est causé par des particules de poussière brûlant dans l'échangeur de chaleur. Dans les deux cas, ouvrez une fenêtre pour aérer la pièce.

POUR VOTRE SÉCURITÉ, LISTEZ CE QUI SUIT AVANT D'ALLUMER L'APPAREIL:

- Ne pas allumer si des enfants ou d'autres individus à risque sont à proximité de la veilleuse.
- Cet appareil est équipé d'un dispositif d'allumage qui allume automatiquement la veilleuse. N'essayez pas de l'allumer manuellement.
- Avant d'allumer, sentez autour de l'appareil et près du plancher afin de vous assurer qu'il n'y a pas de fuite de gaz. Certains gaz sont plus lourds que l'air et se déposeront au niveau du plancher.
- N'utilisez pas cet appareil si une partie quelconque a été submergée. Contactez immédiatement un technicien qualifié pour l'inspecter et pour remplacer toute pièce du système de contrôle du gaz qui aurait été submergée.

QUE FAIRE SI VOUS DÉTECTEZ UNE ODEUR DE GAZ

- Coupez l'alimentation en gaz à l'appareil.
- Ouvrez les fenêtres.
- N'allumez aucun appareil.
- Ne touchez à aucun interrupteur électrique; n'utilisez aucun téléphone dans votre immeuble.
- De la maison d'un voisin, appelez immédiatement votre fournisseur de gaz et suivez ses instructions.
- Si vous ne pouvez pas rejoindre votre fournisseur de gaz, appelez le service des incendies.

INSTRUCTIONS D'ALLUMAGE

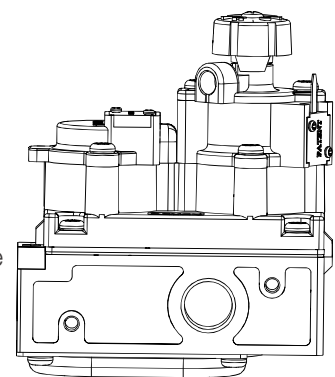
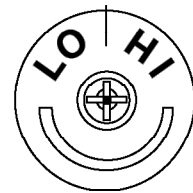
note:

Cet appareil est équipé d'un dispositif d'allumage qui s'allume automatiquement la veilleuse. N'essayez pas de l'allumer manuellement.

- A.** Arrêtez! Lisez les consignes de sécurité ci-dessus.
- B.** Enlevez tous les piles de la télécommande et régler le thermostat au réglage minimum, si équipé.
- C.** Coupez l'alimentation électrique à l'appareil.
- D.** Ouvrir la porte de l'appareil, si équipé.
- E.** Tournez le bouton de contrôle du gaz vers la droite à « OFF ». (Elle est situé sur le connecteur flexible).
- F.** Attendez cinq (5) minutes pour que le gaz puisse s'échapper. Si vous détectez une odeur de gaz, incluant au niveau du plancher, **ARRÊTEZ!** et suivez les instructions ci-dessus « QUE FAIRE SI VOUS DÉTECTEZ UNE ODEUR DE GAZ ». Continuez à l'étape suivante si vous ne sentez pas de gaz.
- G.** Tournez le soupape fermeture manuelle vers la gauche à « ON ».
- H.** Rétablissez l'alimentation électrique à l'appareil et installez les piles dans le télécommande, si équipé. Régler le thermostat à la position désirée, si équipé.
- I.** Tournez l'interrupteur murale de l'appareil à la position « ON ».
- J.** Si l'appareil ne fonctionne pas, suivre les instructions de « couper l'alimentation de gaz » et puis appelez votre technicien de service ou fournisseur de gaz.

COUPEZ L'ALIMENTATION DE GAZ

- A.** Régler le thermostat à la réglage le plus bas, si équipé.
- B.** Tournez l'interrupteur murale de l'appareil à la position « OFF ».
- C.** Coupez l'alimentation électrique à l'appareil si un travail d'entretien doit être faites.
- D.** Tournez le soupape fermeture manuelle vers la gauche « OFF ». Ne forcez pas.



8.0 pattes de clouage et bande de clouage

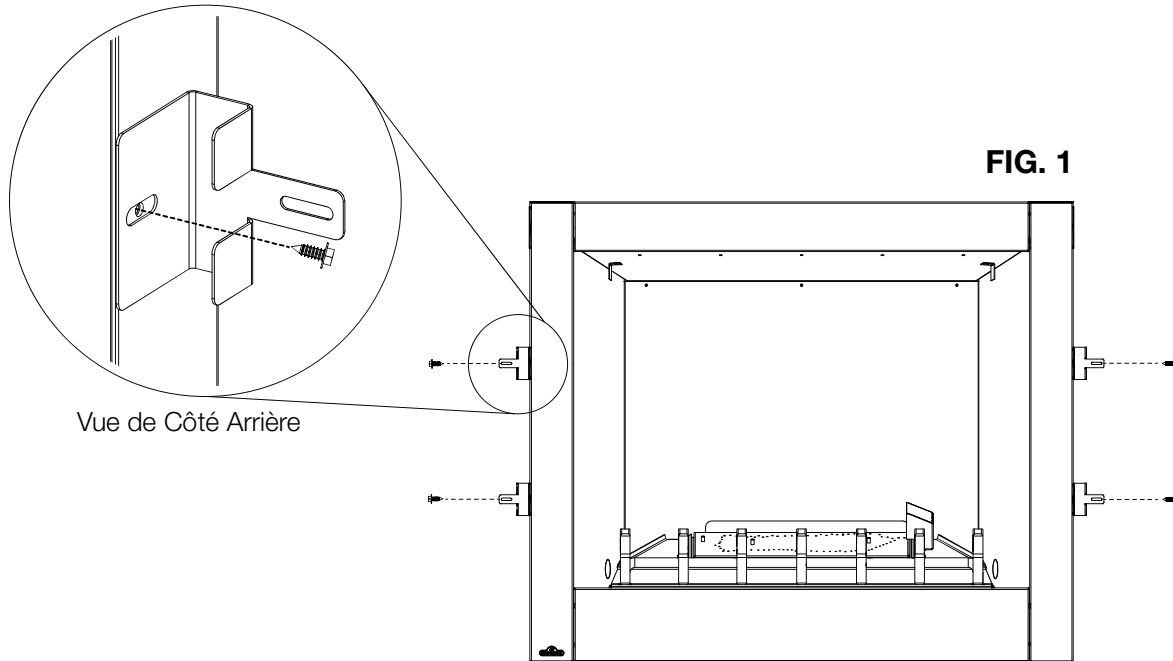
FR

8.1 installation des pattes de clouage (situé dans le sac manuel)

1. Pour installer la façade de l'appareil à égalité avec la surface finie, positionnez les montants de l'encadrement de façon à prévoir l'épaisseur de la surface finie.
2. Retirez les 4 vis (FIG. 1).
3. Installez les 4 supports de clouage des deux côtés de l'appareil, et fixez-les à l'ossature 2x4.

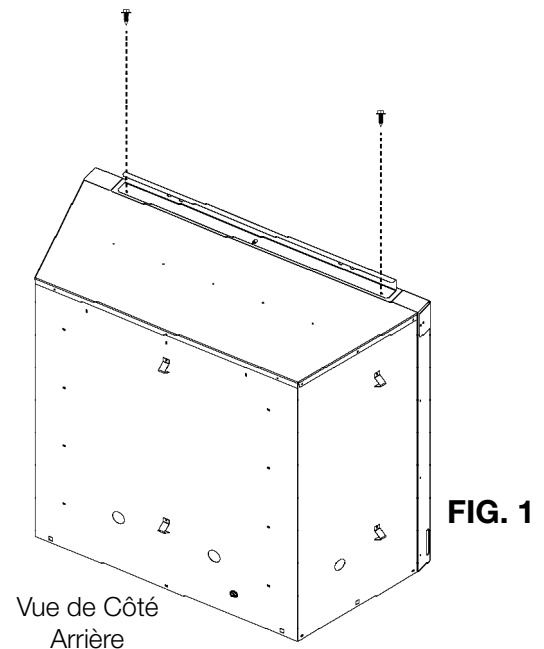
note:

Les pattes de clouage faciliteront l'installation d'une surface de finition de 1/2" (12,7mm) ou de 3/4" (19,1mm) d'épaisseur.



8.2 installation de la bande de clouage

1. Enlevez la bande de clouage à l'arrière du manchon de carton.
2. Retirez les 2 vis des bords supérieurs extérieurs de la bande de clouage.
3. Placez la bande de clouage en place et la fixer avec les vis retirées précédemment (FIG. 1).



9.0 finitions

FR

9.1 disposition de bûches en bouleau (BLKO36)

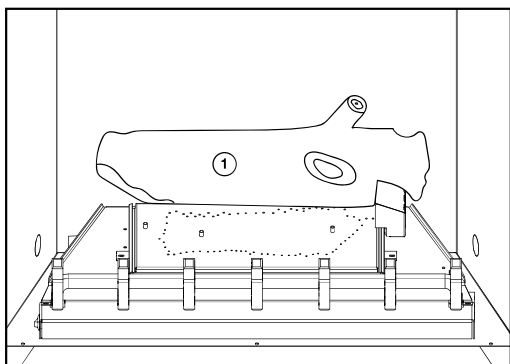
! AVERTISSEMENT

- Omettre de positionner les bûches conformément aux schémas ou omettre d'utiliser uniquement des bûches spécifiquement approuvées pour cet appareil peut causer des dommages matériels ou des blessures corporelles.
- Les bûches doivent être placées correctement à l'intérieur de l'appareil. Ne changez pas la position des bûches car l'appareil risque de ne pas fonctionner adéquatement et un retard d'allumage risque de se produire.
- Les bûches sont fragiles et devraient être manipulées avec soin.

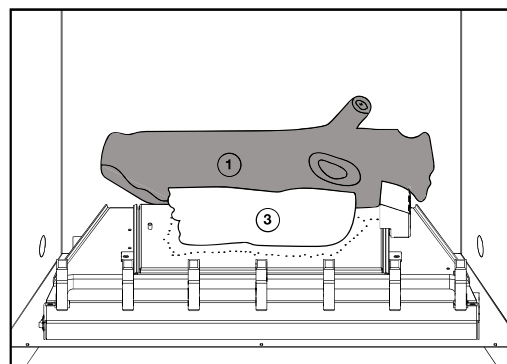
Les bûches **PHAZER™** et les braises incandescentes, exclusives aux appareils Napoléon, créent un effet incandescent réaliste et unique qui est différent dans chaque installation. Prenez le temps de bien installer les braises incandescentes pour obtenir le meilleur effet possible. La couleur des bûches peut varier. Lors de la première utilisation de l'appareil, les couleurs deviendront plus uniformes à mesure que leurs pigments seront « absorbés » pendant le procédé de « cuisson ». Ports de brûleurs bloqués peuvent provoquer une flamme irrégulière.

note:

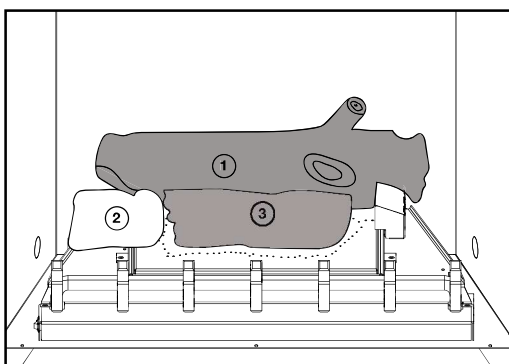
Les numéros de bûches sont situés sur le fond ou à l'arrière des bûches.



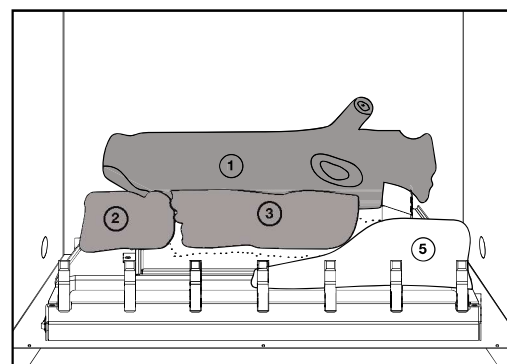
1. Placez la bûche #1 sur le support arrière, en vous assurant que l'encoche sur le côté droit de la bûche soit ajustée autour de l'écran de la veilleuse. Ne couvrez pas les orifices du brûleur.



2. Placez les deux trous de la bûche #3 sur les deux tiges situées au centre du brûleur. Ne couvrez pas les orifices du brûleur.

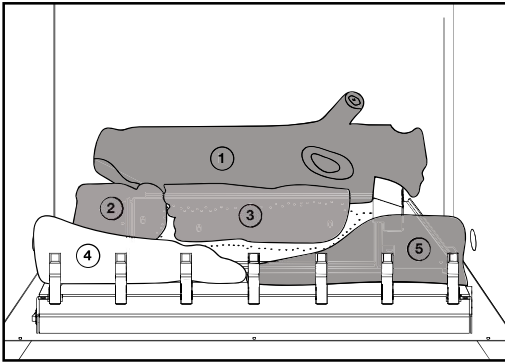


3. Placez le trou de la bûche #2 sur la tige située du côté gauche du brûleur.

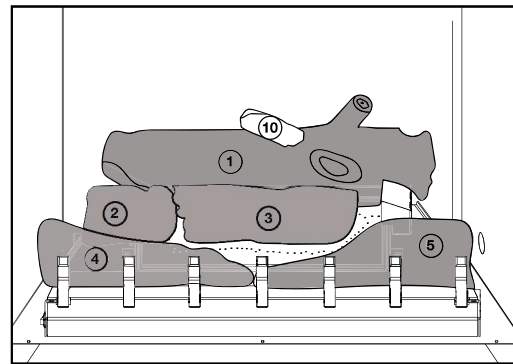


4. Placez la bûche #5 le long du côté avant droit du chenet, puis tirez-la vers l'avant en vous assurant que les encoches de la bûche soient alignées avec les tiges du chenet.

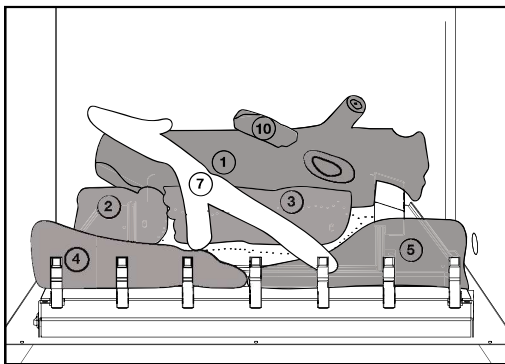
Continue sur la prochaine page →



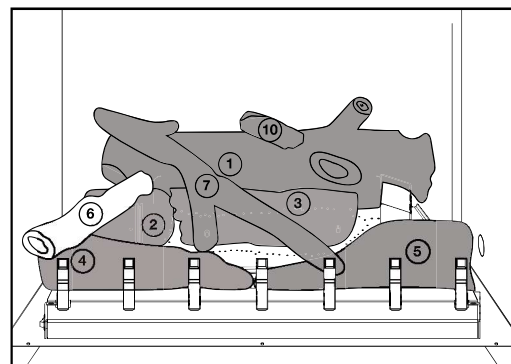
5. Placez la bûche #4 le long du côté avant gauche du chenet, puis tirez-la vers l'avant en vous assurant que les encoches de la bûche soient alignées avec les tiges du chenet.



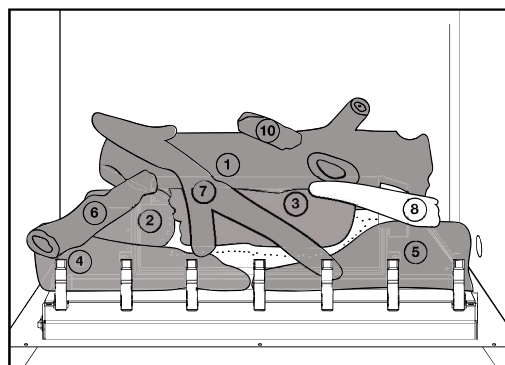
6. Placez la bûche #10 sur l'encoche supérieure de la bûche #1.



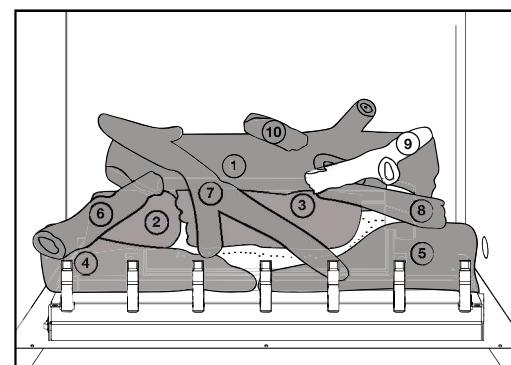
7. Placez la bûche #7 en travers, en vous assurant que le haut s'appuie sur l'encoche supérieure gauche de la bûche #1 et le bas, sur l'encoche supérieure gauche de la bûche #5.



8. Placez la bûche #6 en travers, en vous assurant que le haut s'appuie sur l'encoche supérieure du centre de la bûche #2 et le bas, sur l'encoche supérieure gauche de la bûche #4. La bûche #6 devrait toucher la face avant de la bûche #1.



9. Placez la bûche #8 en travers, en vous assurant que le haut s'appuie sur l'encoche supérieure droite de la bûche #3 et le bas, sur l'encoche supérieure centrale de la bûche #5. L'extrémité mince de la bûche #8 doit faire face vers l'intérieur.



10. Placez la bûche #9 en travers, en vous assurant que le haut s'appuie sur l'encoche supérieure droite de la bûche #1 et le bas, sur l'encoche supérieure gauche de la bûche #8.

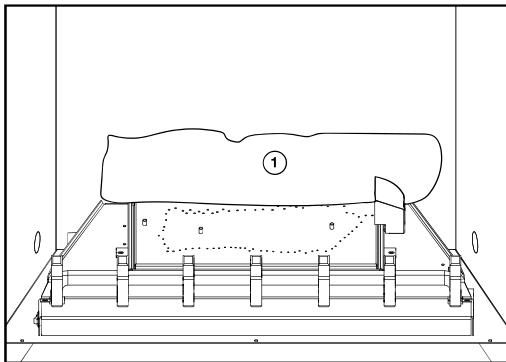
! AVERTISSEMENT

- Omettre de positionner les bûches conformément aux schémas ou omettre d'utiliser uniquement des bûches spécifiquement approuvées pour cet appareil peut causer des dommages matériels ou des blessures corporelles.
- Les bûches doivent être placées correctement à l'intérieur de l'appareil. Ne changez pas la position des bûches car l'appareil risque de ne pas fonctionner adéquatement et un retard d'allumage risque de se produire.
- Les bûches sont fragiles et devraient être manipulées avec soin.

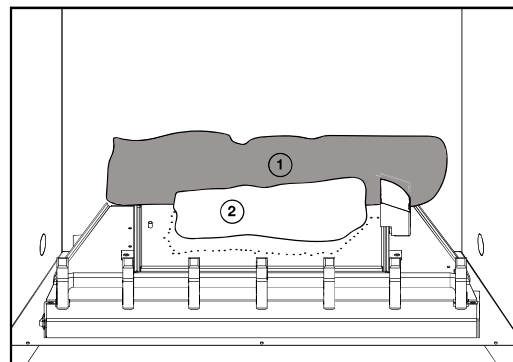
Les bûches **PHAZER™** et les braises incandescentes, exclusives aux appareils Napoléon, créent un effet incandescent réaliste et unique qui est différent dans chaque installation. Prenez le temps de bien installer les braises incandescentes pour obtenir le meilleur effet possible. La couleur des bûches peut varier. Lors de la première utilisation de l'appareil, les couleurs deviendront plus uniformes à mesure que leurs pigments seront « absorbés » pendant le procédé de « cuisson ». Ports de brûleurs bloqués peuvent provoquer une flamme irrégulière.

note:

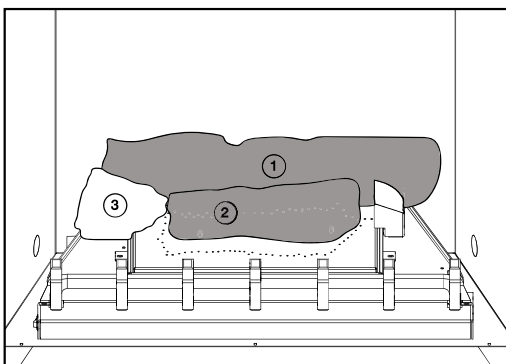
Les numéros de bûches sont situés sur le fond ou à l'arrière des bûches.



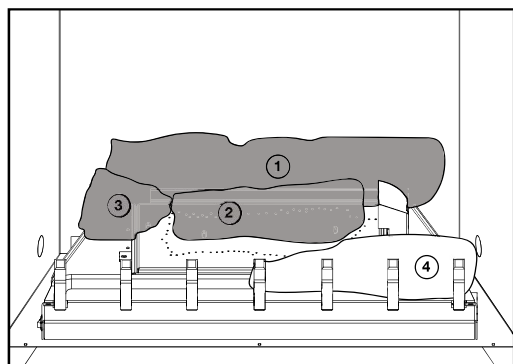
1. Placez la bûche #1 sur le support arrière, en vous assurant que l'encoche sur le côté droit de la bûche soit ajustée autour de l'écran de la veilleuse. Ne couvrez pas les orifices du brûleur.



2. Placez les deux trous de la bûche #2 sur les deux tiges situées au centre du brûleur. Assurez-vous que l'extrémité beige clair est tournée vers la droite. Ne couvrez pas les orifices du brûleur.

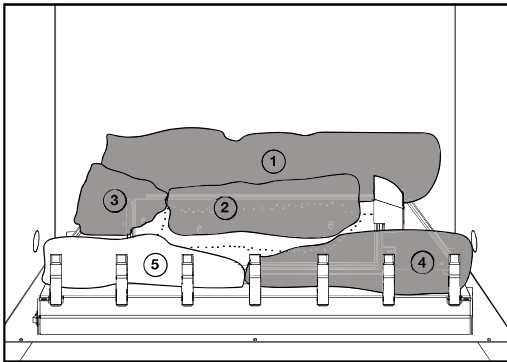


3. Placez le trou de la bûche #3 sur la tige située du côté gauche du brûleur.

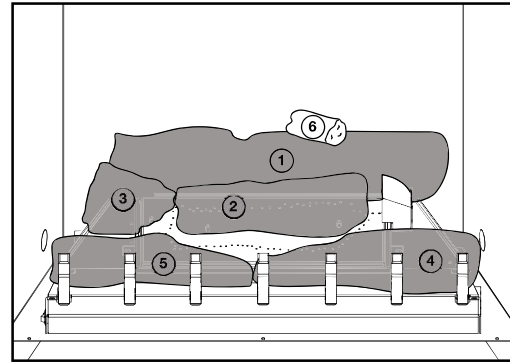


4. Placez la bûche #4 le long du côté avant droit du chenet, puis tirez-la vers l'avant en vous assurant que les encoches de la bûche soient alignées avec les tiges du chenet.

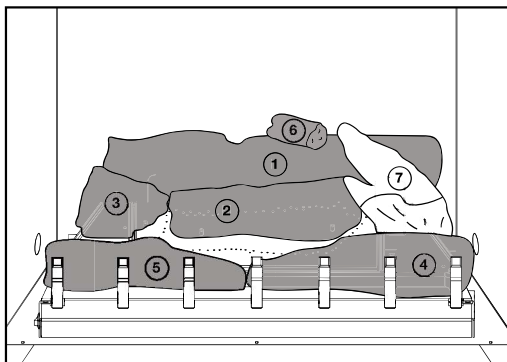
Continue sur la prochaine page →



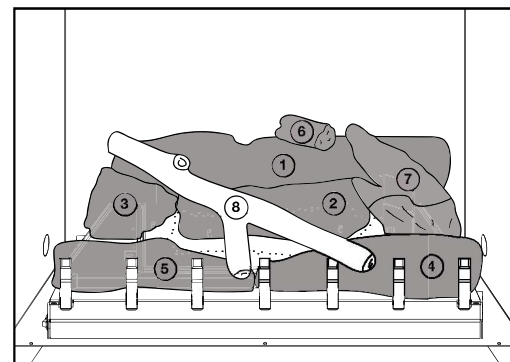
- 5.** Placez la bûche #5 le long du côté avant gauche du chenet, puis tirez-la vers l'avant en vous assurant que les encoches de la bûche soient alignées avec les tiges du chenet.



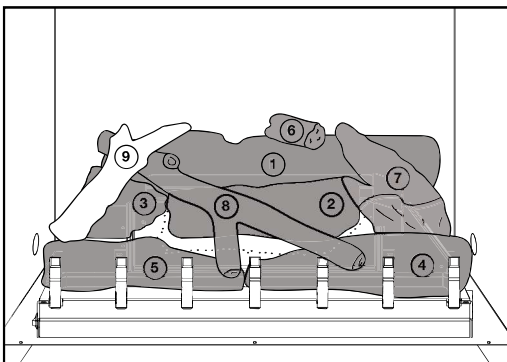
- 6.** Placez la bûche #6 sur l'encoche supérieure de la bûche #1. Assurez-vous que l'extrémité du charbon de bois est tournée vers l'avant.



- 7.** Placez la bûche #7 en travers, en vous assurant que le haut s'appuie sur l'encoche supérieure droite de la bûche #1 et le bas, sur l'encoche arrière de la bûche #4.



- 8.** Placez la bûche #8 en travers, en vous assurant que le haut s'appuie sur l'encoche supérieure gauche de la bûche #1 et le bas, sur l'encoche supérieure gauche de la bûche #4, et sur l'encoche supérieure droite de la bûche #5.



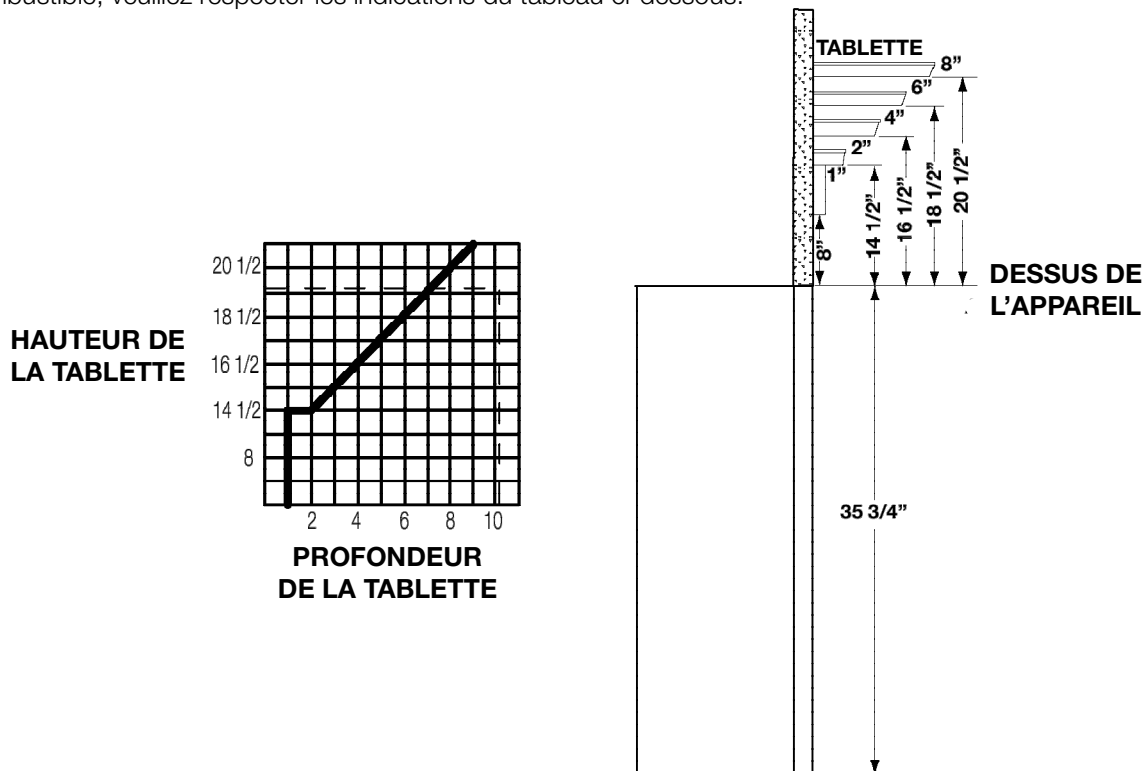
- 9.** Placez la bûche #9 en travers, en vous assurant que le haut s'appuie sur l'encoche supérieure gauche de la bûche #8 et le bas, sur l'encoche supérieure gauche de la bûche #5.

! AVERTISSEMENT

- Risque d'incendie. Conservez tous les dégagements aux matériaux combustibles spécifiées. Ne pas respecter ces instructions peut causer un incendie ou une surchauffe. Assurez-vous que tous les dégagements (arrière, côtés, dessus, évents, tablette, façade, etc.) sont respectés à la lettre..
- Ne jamais obstruer l'ouverture avant de l'appareil.
- Lorsque vous utilisez de la peinture ou du vernis comme finition pour votre tablette, assurez-vous qu'ils soient résistants à la chaleur afin de prévenir la décoloration.

9.3 dégagements minimaux de la tablette

Nous vous recommandons d'installer une tablette fait d'un matériau incombustible. Si le matériau est combustible, veuillez respecter les indications du tableau ci-dessous.

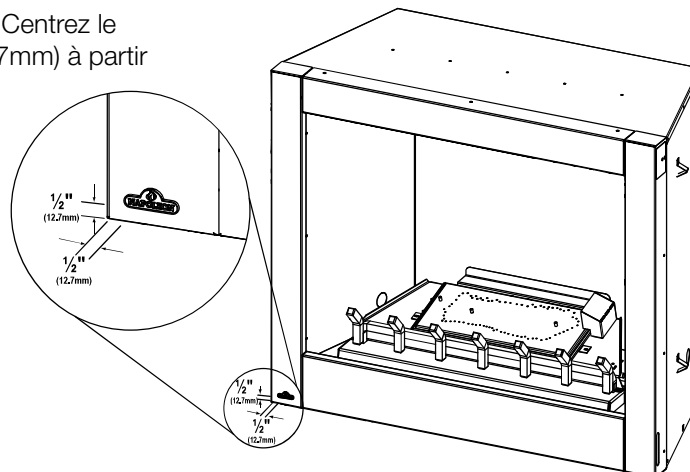


note:

La tablette atteindra une température au-delà de la normale, alors elle pourra être chaude au toucher.

9.4 mis en place du logo

Retirez le papier dorsal du logo fourni. Centrez le logo sur l'avant de l'appareil, 1/2" (12,7mm) à partir de la gauche, comme illustré.



10.1 réglage du venturi

! AVERTISSEMENT

- Du carbone peut se déposer dans des endroits de séjour avoisinants si le volet d'air n'est pas bien réglé.

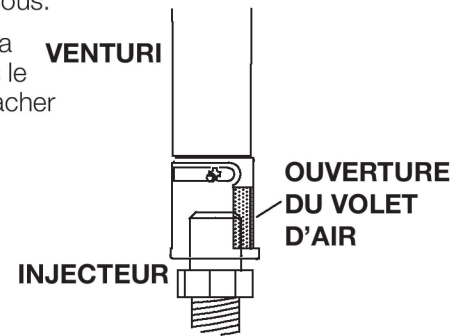
L'ouverture du volet d'air a été pré réglée en usine selon le tableau ci-dessous:

Indépendamment de l'orientation du venturi, plus le volet est fermé, plus la flamme est jaune et aura tendance à causer des dépôts de carbone. Plus le volet est ouvert, plus la flamme est bleue et plus elle a tendance à se détacher des orifices du brûleur. La flamme peut ne pas être jaune immédiatement; allouez de 15 à 30 minutes pour que la couleur finale de la flamme se stabilise.

LE RÉGLAGE DU VOLET D'AIR DOIT ÊTRE EXÉCUTÉ PAR UN TECHICIEN OU INSTALLATEUR QUALIFIÉ.

note:

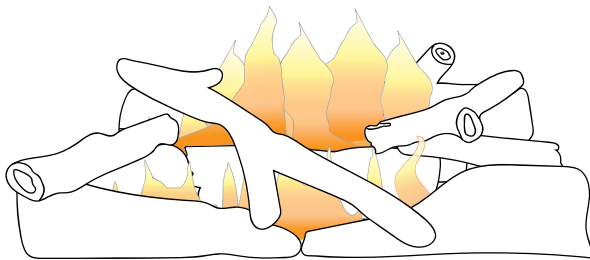
Il est important que l'injecteur soit correctement inséré dans le venturi.



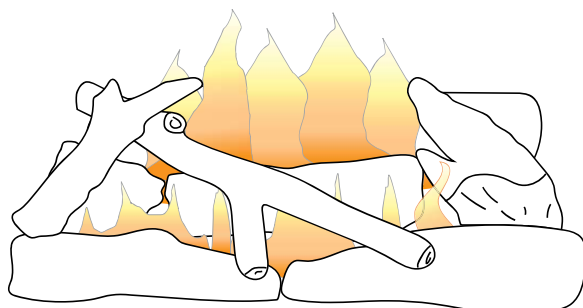
RÉGLAGE DU VENTURI	
GN	1/8" (3,1mm)
P	3/16" (4,7mm)

10.2 caractéristiques de la flamme

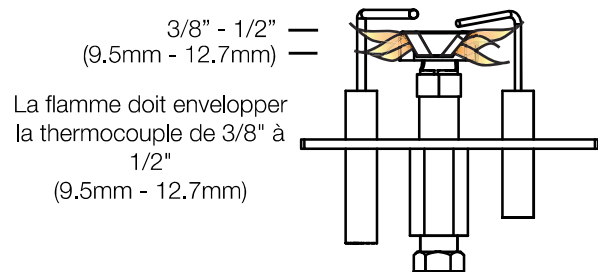
Il est important d'effectuer périodiquement une inspection visuelle de la flamme de la veilleuse et du brûleur. Comparez-les à ces illustrations. Si des flammes paraissent anormales, contactez un technicien de service.



**Disposition de Bûches
en Bouleau
BLKO36**



**Disposition de Bûches
en Chêne
OLKO36**



La flamme doit envelopper la thermocouple de 3/8" à 1/2"

(9.5mm - 12.7mm)

réglages

FR

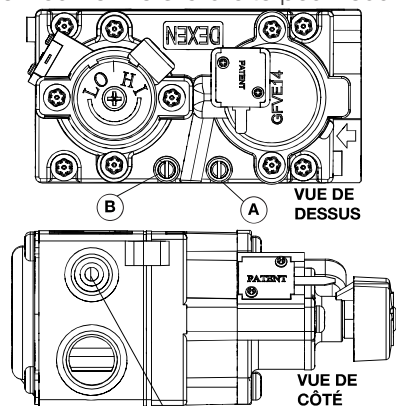
10.3 vérification de la pression

Ajustez la vis de la veilleuse pour obtenir une flamme de taille normale. Tournez vers la droite pour réduire l'apport de gaz.

Vérifiez la pression:

Pour vérifier la pression d'arrivée, tournez la vis (A) vers la gauche deux à trois tours puis emboîtez le tube du manomètre sur la pointe d'essai. Le manomètre doit indiquer la pression comme décrit sur le diagramme ci-dessous. Vérifier la pression avec brûleur principal sur « HI ».

La vérification de la pression de sortie s'effectue comme ci-dessus en utilisant la vis (B). Le manomètre doit indiquer la pression comme décrit sur le diagramme ci-dessous. Vérifier la pression avec le brûleur principale sur « HI ».



Après avoir pris la lecture des pressions, assurez-vous de tourner fermement les vis vers la droite pour sceller. Ne serrez pas trop fort.

Vérifiez pour des fuites en appliquant une solution d'eau savonneuse.

Pression	Gaz Naturel (pouces)	Gaz Naturel (millibars)	Propane (pouces)	Propane (millibars)
Arrivée	*7" (minimum 4,5")	17,4mb (minimum 11,2mb)	13" (minimum 11")	32,4mb (minimum 27,4mb)
Sortie	3,5"	8,7mb	10"	24,9mb

*** Pression d'alimentation maximale ne devait pas dépasser 13"**

AVERTISSEMENT

- Coupez l'alimentation en gaz et l'alimentation électrique avant de procéder à l'entretien de l'appareil.
- L'appareil peut être chaud. Attendez qu'il soit refroidi avant d'en faire l'entretien.
- N'utilisez pas de produits abrasifs.
- Ne peindre pas l'assemblage de la veilleuse.

Cet appareil et son système d'évacuation devraient être inspectés avant la première utilisation et au moins une fois l'an par un technicien de service qualifié. Les vérifications suggérées doivent être effectuées par un technicien qualifié. L'espace entourant l'appareil doit être gardé propre et libre de matériaux combustibles, d'essence ou d'autres liquides et vapeurs inflammables. Les apports d'air comburant et d'air de connection ne doivent pas être obstrués.

note:

Attention: Lors de l'entretien des contrôles, assurez-vous d'identifier chacun des fils avant de les débrancher. Une réinstallation incorrecte des fils peut occasionner un mauvais fonctionnement et être dangereuse.

1. Pour nettoyer le brûleur principal et la veilleuse adéquatement, il faut retirer les bûches, les roches ou la vitre afin de dégager les deux ensembles.
2. Gardez le compartiment des contrôles, les composants décoratifs, le brûleur, le volet d'air et l'espace entourant les bûches propres en brossant ou en passant l'aspirateur au moins une fois l'an.
3. Assurez-vous que tous les orifices des brûleurs produisent des flammes. Nettoyez tous les orifices qui n'ont pas de flamme ou dont la flamme ne brûle pas adéquatement.
4. Assurez-vous que la flamme de la veilleuse est assez puissante pour envelopper la sonde de flamme et/ou le thermocouple/thermopile et qu'elle atteigne le brûleur.
5. Si votre appareil est fourni avec une écran de protection, le nettoyage peut être nécessaire en raison d'un excès de poussière / peluches des tapis, animaux, etc. utilisez un l'attachement du brosse sur aspirateur pour nettoyer l'écran.
6. Si votre appareil est fourni avec les détendeur de portes assurez-vous que le système fonctionne efficacement. Assurez que le joint d'étanchéité n'est pas usé ou endommagé. Remplacer si nécessaire.
7. Remettez en place les bûches, les roches ou la vitre nettoyées, si équipé. Omettre de positionner les composants décoratifs adéquatement peut causer des dépôts de carbone qui peuvent se déposer à l'intérieure de la chambre de combustion et sur les surfaces extérieures entourant d'évent.
8. Vérifiez si le brûleur principal allume sur tous les orifices lorsque le bouton de contrôle du gaz est à « ON ». Un temps d'allumage total de 5 à 10 secondes est satisfaisant. Si l'allumage prend plus de temps, consultez votre revendeur agréé ou du distributeur.
9. Inspectez visuellement l'appareil pour des dépôts de carbone. À l'aide d'une balayette ou d'une brosse, enlevez le carbone et aspirez-le avec un aspirateur ou mettez-le au rebut.
10. **Cette étape n'est pas pour les appareils d'événements libres:** Vérifiez que l'appareil correctement mise à l'événement. Vérifiez que le système de cheminée est sûr et accessible. (Si pour auqu'un raison le système d'air est démonter, installez et scellé conformément aux instructions d'installation fournies).

L'acier inoxydable a tendance à s'oxyder ou à tacher en présence de chlorures et de sulfures, particulièrement dans les zones côtières ainsi que dans les environnements chauds et humides tels que les piscines et les spas. Ces taches, considérées parfois comme de la rouille, peuvent être évitées et éliminées facilement. Pour ce faire, lavez les surfaces en acier inoxydable toutes les 3 à 4 semaines ou aussi souvent que nécessaire avec de l'eau fraîche ou un nettoyant à acier inoxydable.

NETTOYAGE DE LA SURFACE EN ACIER INOXYDABLE :

N'utilisez pas de produits abrasifs ou de laine d'acier sur les pièces en acier inoxydable de votre appareil, ils égratigneront le fini. Les surfaces doivent être nettoyées avec de l'eau chaude savonneuse quand le métal est encore chaud au toucher. Pour nettoyer les surfaces en acier inoxydable, utilisez un nettoyant sans abrasif ou à acier inoxydable et frottez toujours dans le sens du grain. Les pièces en acier inoxydable vont décolorer de façon permanente sous l'effet de la chaleur pour habituellement prendre une teinte dorée ou brune. Cette décoloration est normale et n'affectera pas la performance de l'appareil.

Nous recommandons que le brûleur soit inspecté deux fois par an par un technicien qualifié. Le brûleur doit être remplacé avant l'appareil mis en service s'il est évident que le brûleur est endommagé. Utilisez seulement des pièces de rechange tel que fourni par le fabricant de l'appareil.

12.0 pièces de rechange

FR

AVERTISSEMENT

- Omettre de positionner les pièces conformément à ce manuel ou d'utiliser uniquement des pièces spécifiquement approuvées pour cet appareil peut causer des dommages matériels ou des blessures corporelles.
- ****Ceci est un thermocouple à action rapide qui constitue un composant essentiel de sécurité. Remplacez uniquement par un thermocouple à action rapide de Wolf Steel.**

Contactez votre détaillant pour les questions concernant les prix et la disponibilité des pièces de remplacement. Normalement, toutes les pièces peuvent être commandées chez votre détaillant autorisé.

Pour un remplacement de pièce sous garantie, une photocopie de la facture originale sera requise afin de pouvoir honorer la demande.

Lorsque vous commandez des pièces, donnez toujours l'information suivante:

- Modèle et numéro de série de l'appareil
- Date d'installation de l'appareil
- Numéro de la pièce
- Description de la pièce
- Fini

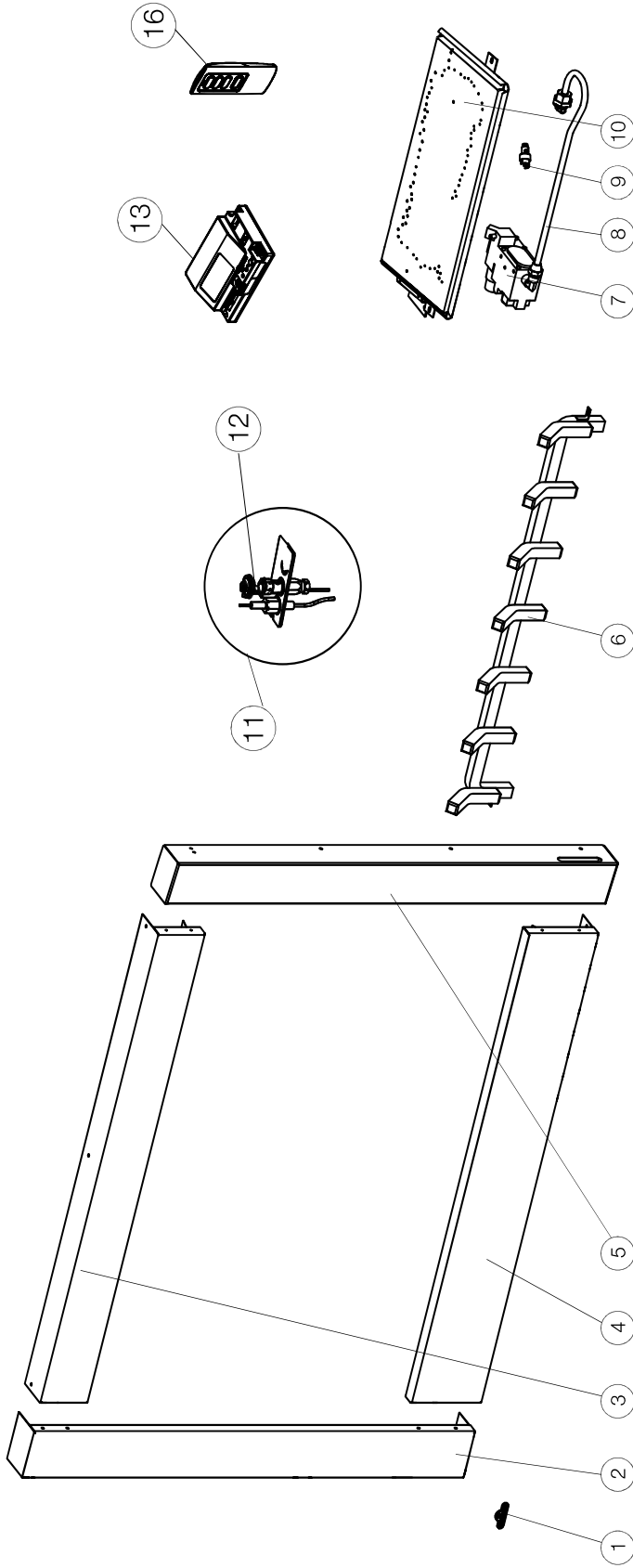
Pièces, numéro des pièces et s'il soit disponible peut changer sans préavis.

Parties identifiées comme garnie seront livrés dans 2 à 5 jours pour la plupart des destinations de livraison.

Pièces non identifiées que stockés seront livrés dans un délai de 2 à 4 semaines pour la plupart des cas.

Pièces identifiées comme « SO » sont commande spéciale et peuvent prendre jusqu'à 90 jours pour la livraison.

12.1 vue d'ensemble et de l'assemblage de la soupape

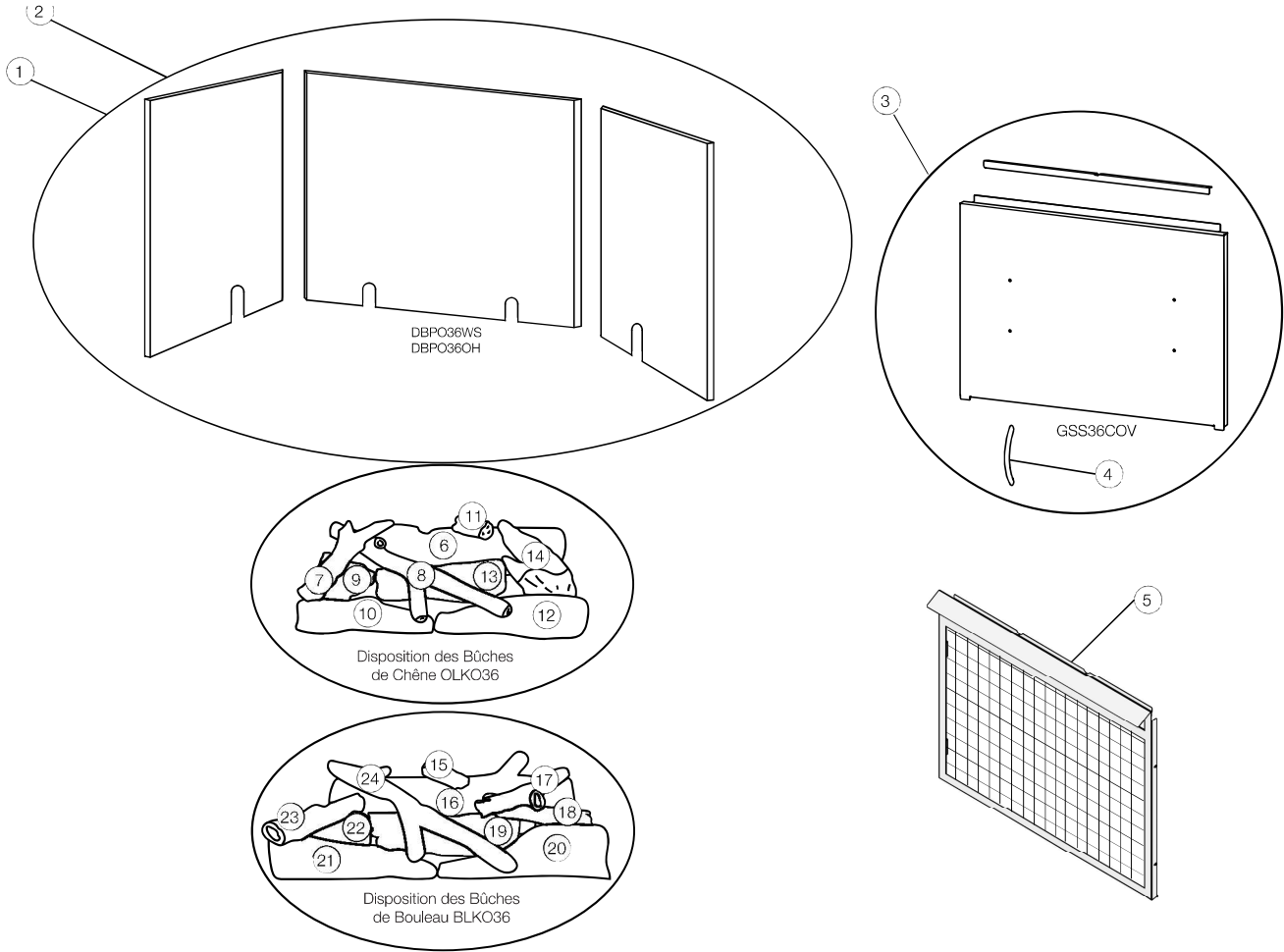


Ces articles peuvent différer de celles illustrées.

Réf.	No. de pièce	Description	En stock
1	W385-2010	Logo Napoléon	Oui
2	W280-0397	Châssis latérale gauche	
3	W280-0396	Châssis supérieure	
4	W280-0395	Châssis inférieure	
5	W280-0398	Châssis latérale droite	
6	W010-3962	Grille	
7	W725-0028	Soupape (GN)	Oui
7	W725-0101	Soupape (P)	Oui
8	W432-0078	Connecteur	Oui
9	W456-0032	Injecteur du brûleur 60° #32 (GN)	Oui
9	W456-0048	Injecteur du brûleur 60° #48 (P)	Oui
10	W010-4359	Assemblage de brûleur	
11	W010-4945	Ensemble de veilleuse (GN)	Oui
11	W010-4972	Ensemble de veilleuse (P)	Oui
12	W455-0071	Injecteur de veilleuse (GN)	Oui
12	W455-0049	Injecteur de veilleuse (P)	Oui
13	W190-0209	Module de contrôle (Dexen)	Oui
14*	W750-0510	Cordon d'alimentation	
15*	W750-0511	Harnais de fils	
16*	W660-0228	Télécommande	

13.0 accessoires

FR

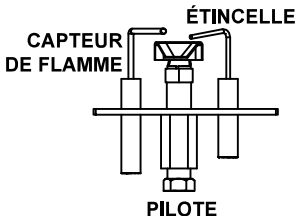


Ces articles peuvent différer de celles illustrées.

Réf.	No. de pièce	Description	En stock	Réf.	No. de pièce	Description	En stock
1	DBPO36WS	Briques décoratives, Westminster		13	W135-0669	Bûche, centre de milieu (OLKO36)	
2	DBPO36OH	Briques décoratives, Vieille Ville Rouge		14	W135-0774	Bûche, croisement droite (OLKO36)	
3	GSS36COV	Kit de couverture saisonnière		15	W135-0777	Bûche, croisement arrière (BLKO36)	
4	N325-0049-SER	Pignées de porte (X2)	Oui	16	W135-0751	Bûche, bouleau arrière (BLKO36)	
5	GSS36SCN	Assemblage de barrière de protection		17	W135-0759	Bûche, croisement gauche (BLKO36)	
6	W135-0668	Bûche, arrière (OLKO36)		18	W135-0758	Bûche, croisement central à droite (BLKO36)	
7	W135-0776	Bûche, croisement gauche (OLKO36)		19	W135-0753	Bûche, bouleau centre de milieu (BLKO36)	
8	W135-0775	Bûche, croisement centrale (OLKO36)		20	W135-0755	Bûche, bouleau avant droite (BLKO36)	
9	W135-0670	Bûche, central gauche (OLKO36)		21	W135-0754	Bûche, bouleau avant gauche (BLKO36)	
10	W135-0672	Bûche, avant gauche (OLKO36)		22	W135-0752	Bûche, bouleau central gauche (BLKO36)	
11	W135-0773	Bûche, dessus arrière (OLKO36)		23	W135-0756	Bûche, bouleau croisement gauche (BLKO36)	
12	W135-0671	Bûche, avant droite (OLKO36)		24	W135-0757	Bûche, CG croisement à l'avant (BLKO36)	
				25*	W175-0743	Ensemble de conversion (NG à P)	
				26*	W175-0744	Ensemble de conversion (P à NG)	

! AVERTISSEMENT

- Allumez toujours la veilleuse, que ce soit pour la première fois ou lorsque l'approvisionnement en gaz est épuisé, avec la porte vitrée ouverte ou retirée.
- Coupez l'alimentation en gaz et l'alimentation électrique avant de procéder à l'entretien de l'appareil.
- L'appareil peut être chaud. N'effectuez aucun entretien jusqu'à ce que l'appareil soit refroidi.
- N'utilisez pas de nettoyeurs abrasifs

symptôme	problème	solution															
La flamme du brûleur principal est bleue, paresseuse et transparente (Ce n'est pas applicable dans les appareils d'extérieur)	Système d'évacuation bloqué.	- Enlevez ce qui obstrue. Dans des conditions de froid extrême, une accumulation de glace peut se former sur la terminaison et devrait être enlevée lorsque nécessaire. (Pour minimiser les chances que cela survienne de nouveau, il est recommandé que les événements qui passent à travers des espaces non chauffés [greniers, garages, espaces réduits] soient recouverts d'un manchon isolant en mylar).															
	Installation incorrecte.	- Voir la section « évacuation » pour vérifier le bon emplacement des collets de solin.															
Les flammes sont régulièrement trop grandes ou trop petites. Il se produit des dépôts de carbone.	La pression du gaz est trop faible ou trop forte.	- Vérifiez la pression: Pour vérifier la pression d'arrivée, tournez 2 ou 3 fois la vis (A) vers la gauche, puis emboîtez le tube du manomètre sur la pointe d'essai. Le manomètre doit indiquer la pression comme décrit sur le diagramme ci-dessous. Assurez-vous que le brûleur principal fonctionne à « HI ». La pression de sortie peut être vérifiée de la même façon en utilisant la vis (B). Le manomètre doit indiquer la pression comme décrit sur le diagramme ci-dessous. Assurez-vous que le brûleur principal fonctionne à « HI ». Après avoir pris la lecture des pressions, assurez-vous de tourner fermement les vis vers la droite pour sceller. NE SERREZ PAS TROP FORT. Vérifiez pour des fuites en appliquant une solution d'eau savonneuse.															
																	
		<table border="1"> <thead> <tr> <th>Pression</th> <th>Gaz Naturel (pouces)</th> <th>Gaz Naturel (millibars)</th> <th>Propane (pouces)</th> <th>Propane (millibars)</th> </tr> </thead> <tbody> <tr> <td>Arrivée</td> <td>*7" (minimum 4,5")</td> <td>17,4mb (minimum 11,2mb)</td> <td>13" (minimum 11")</td> <td>32,4mb (minimum 27,4mb)</td> </tr> <tr> <td>Sortie</td> <td>3,5"</td> <td>8,7mb</td> <td>10"</td> <td>24,9mb</td> </tr> </tbody> </table> <p>*Pression d'alimentation maximale ne doivent pas dépasser 13"</p>	Pression	Gaz Naturel (pouces)	Gaz Naturel (millibars)	Propane (pouces)	Propane (millibars)	Arrivée	*7" (minimum 4,5")	17,4mb (minimum 11,2mb)	13" (minimum 11")	32,4mb (minimum 27,4mb)	Sortie	3,5"	8,7mb	10"	24,9mb
Pression	Gaz Naturel (pouces)	Gaz Naturel (millibars)	Propane (pouces)	Propane (millibars)													
Arrivée	*7" (minimum 4,5")	17,4mb (minimum 11,2mb)	13" (minimum 11")	32,4mb (minimum 27,4mb)													
Sortie	3,5"	8,7mb	10"	24,9mb													
	Le volet d'air est réglé incorrectement.	- Voir la section « réglage du venturi » pour le réglage de l'ouverture du volet d'air dans le manuel d'installation.															
Du carbone se dépose sur la vitre, les bûches, les roches, les composants décoratifs ou les parois de la chambre de combustion.	Le volet d'air est bloqué.	- Assurez-vous que l'ouverture du volet d'air n'est pas bloquée par des fibres ou autres obstructions.															
	Le flamme effleure la vitre, les bûches, les roches, les composants décoratifs ou les parois de la chambre de combustion.	- Vérifiez si les composants décoratifs sont positionnés correctement. - Augmentez l'ouverture du volet d'air pour augmenter le volume d'air primaire. - Vérifiez le débit d'alimentation: vérifiez que la pression du collecteur et la grandeur de l'injecteur soient telles que spécifiées sur la plaque d'homologation. - Vérifiez si les joints d'étanchéité de la porte ne sont pas brisés ni manquants et qu'ils sont étanches. - Vérifiez que les deux conduits d'évent ne soient pas troués et qu'ils soient bien scellés à tous les joints. - Vérifiez si l'élévation minimale par pied (mètre) est conforme pour toute évacuation horizontale.															
Une pellicule blanche ou grise se forme.	Le soufre du combustible se dépose sur la vitre, les bûches ou les parois de la chambre de combustion.	- Nettoyez la vitre avec un nettoyeur recommandé. NETTOYER PAS LORSQU'ELLE EST CHAUDE. - Si vous nettoyez pas les dépôts régulièrement, la vitre risque de rester marquée en permanence.															
On détecte l'odeur des gaz de combustion dans la pièce, maux de tête.	L'appareil refoule les gaz de combustion dans la pièce. (Ce n'est pas applicable dans les appareils d'extérieur).	- Vérifiez tous les joints scellés de la porte.															
		- Vérifiez si la cheminée ne serait pas bloquée.															
		- Vérifiez que les conduits d'évents sont installés correctement. - La pièce est sous pression négative; augmentez l'apport d'air frais.															

symptôme	problème	solution
La veilleuse ne s'allume pas. Il y a du bruit mais aucune étincelle au brûleur de la veilleuse.	Câblage: pénurie, connexion desserrée (rectification de la flamme pauvres).	<ul style="list-style-type: none"> - Vérifiez qu'il n'y a pas de connexions desserrées du thermocouple ni sonde de flamme. - Vérifiez l'interrupteur de bloc n'est pas endommagé ou trop serré. Vérifiez si les connexions de l'assemblage de la veilleuse sont serrées; vérifiez aussi si ces connexions ne causent pas de mise à la terre au niveau du métal. (Souvenez-vous que la flamme transporte le courant redresseur et non le gaz. Si la flamme se détache de la hotte, le circuit est rompu. Un mauvais injecteur ou une pression d'arrivée trop élevée peut causer la flamme de la veilleuse à se détacher)*. La tige de la sonde a possiblement besoin d'être nettoyée.
	Aucun signal du télécommande avec ignition du veilleuse.	<ul style="list-style-type: none"> - Reprogrammer le code du récepteur. - Remplacer le récepteur.
	Connexion desserrée.	<ul style="list-style-type: none"> - Vérifiez qu'il n'y ait pas de connexions desserrées de courts-circuits dans le filage du soupape ni de l'assemblage de la veilleuse.
	Filage d'interrupteur inapproprié.	<ul style="list-style-type: none"> - Réparez le système avec un simple interrupteur marche/arrêt.
	Composants de veilleuse sale, peint ou endommagée.	<ul style="list-style-type: none"> - Nettoyez la tige de la sonde avec une toile d'émeri (Scotch-Brite™) afin d'enlever toute contamination qui ait pu s'accumuler sur la tige de la sonde. Vérifiez la continuité avec un multimètre réglé sur Ohms au calibre le plus bas.
Étincelle à la veilleuse mais celle-ci ne s'allume pas.	Alimentation en gaz.	<ul style="list-style-type: none"> - Vérifiez si la soupape à bille du conduit d'arrivée du gaz est « ouverte ». - Vérifiez si la pression d'arrivée est dans les limites acceptables. La pression d'arrivée ne doit pas excéder 13" de colonne d'eau (32,4mb).
	Plus de propane.	<ul style="list-style-type: none"> - Remplissez le réservoir.
	La ligne d'alimentation de la veilleuse peut contenir l'air.	<ul style="list-style-type: none"> - Répétez le processus d'étincelles plusieurs fois ou purger la conduite d'alimentation de la veilleuse.
	Le module n'est pas mis à la terre.	<ul style="list-style-type: none"> - Assurez le bon polarité du thermocouple (si fourni). - Vérifiez si les assemblages de la veilleuse et de la soupape sont bien mis à la terre.
	Récepteur (si équipé).	<ul style="list-style-type: none"> - Réinitialisez la programme: tenir le bouton de réinitialiser sur le récepteur attendre pour 2 bips. Relâcher le bouton après la deuxième bip. Pendant 20 secondes, appuyez sur le bouton de la télécommande accompagné d'une petite flamme, vous entendrez une bip additionnelle (cela confirmant que le code est réglé). - Remplacez le récepteur.
	Soupape.	<ul style="list-style-type: none"> - Vérifiez le soupape et remplacer si nécessaire (attention à ne pas trop serrer le thermocouple).
Continue de produire des étincelles et la veilleuse s'allume mais le brûleur principal ne s'allume pas.	Court-circuit ou connexion desserrée dans la tige de la sonde.	<ul style="list-style-type: none"> - Vérifiez toutes connexions. Vérifiez si les connexions de l'assemblage de la veilleuse sont serrées; vérifiez aussi si ces connexions ne causent pas de mise à la terre au niveau du métal.
	Composants de veilleuse sale, peint ou endommagée.	<ul style="list-style-type: none"> - Nettoyez la tige de la sonde avec une toile d'émeri (Scotch-Brite™) afin d'enlever toute contamination qui ait pu s'accumuler sur la tige de la sonde. Vérifiez la continuité avec un multimètre réglé sur Ohms au calibre le plus bas.
Interrupteur mural est en position « off »; la brûleur s'allume.	L'interrupteur mural est monté à l'envers.	<ul style="list-style-type: none"> - Inverse.
	Interrupteur mural et/ou le fil est relié à la terre.	<ul style="list-style-type: none"> - Remplacer. - Vérifier la masse (court); réparer ou remplacer les fils.
	Câble défectueux.	<ul style="list-style-type: none"> - Remplacer.

symptôme	problème	solution
Le télécommande ne fonctionne pas correctement.	La télécommande s'allume mais aucune étincelle ou flamme. (La télécommande est verrouillée).	- Réinitialiser en tournant l'alimentation « off » puis « on ». note: Si les piles de sauvegarde sont installés, ils doivent être enlevés pour programmer le télécommande.
	Les piles du récepteur ou télécommande sont faibles.	- Remplacez les piles.
	Erreur de synchronisation.	- Réinitialiser le télécommande et le récepteur.
	Le télécommande est trop loin du récepteur.	- Voir la section « schéma de câblage ».
	Les broches de connecteur de fils sont courbés.	- Redresser les fils.
	Câblage de la soupape est endommagée	- Remplacez la soupape.
Lumières ou la soufflerie ne fonctionnent pas (si équipé).	L'interrupteur de contrôle est à la mauvaise position.	- Vérifiez que l'interrupteur « on/off » est en position « I », ce qui indique le fonctionnement.
	L'interrupteur « COM » est débranché.	- Vérifiez que l'interrupteur « COM » est branché à l'avant du module de contrôle.
Les flammes sont très actives.	La porte est ouvert.	- Assurez-vous que la porte est bien fermée.
	Forte action de ventilation.	- Assurez-vous que l'évacuation est adéquatement scellée ou étranglez la sortie de l'évacuation avec la plaque de restriction. (La plaque de restriction n'est pas disponible pour toutes modèles).
L'appareil n'effectue aucune fonction.	Pas de puissance au système.	- Vérifiez que le disjoncteur est dans la position « on » position.
	L'interrupteur du récepteur est à la mauvaise position (si équipé).	- Vérifiez que le récepteur est dans la position « milieu ».
	La télécommande ne fonctionne pas.	- Vérifiez les pile ainsi que leur orientation.

15.0 garantie

FR

Les produits NAPOLÉON sont fabriqués conformément aux normes strictes du Système de Gestion de la Qualité mondialement reconnu ISO 9001 : 2015.

Les produits NAPOLÉON sont conçus avec des composants et des matériaux de qualité supérieure, assemblés par des artisans qualifiés qui sont fiers de leur travail. Le brûleur et le montage de la soupape subissent un test de détection de fuite et d'allumage à une station de test de qualité. Une fois assemblé, chaque appareil est soigneusement inspecté par un technicien qualifié avant d'être emballé pour garantir que vous, le client, recevez le produit de qualité dont vous attendez de NAPOLÉON.

Garantie Limitée de 5 ans des Appareils au Gaz Napoléon

Tous les composants en acier inoxydable de votre nouvel appareil au gaz NAPOLÉON sont garantis contre les défauts pour une période de cinq ans.

Les composants électriques (110V) et les pièces soumises à l'usure sont couverts et NAPOLÉON fournira gratuitement les pièces de rechange durant la première année de la garantie limitée. Ceci couvre: les soupapes de gaz, les bûches et les joints d'étanchéité.*

Les coûts de main-d'oeuvre relatifs aux réparations garanties sont couverts gratuitement durant la première année. Cependant, les travaux de réparation nécessitent l'approbation préalable d'un représentant autorisé de la compagnie. Les coûts de main-d'oeuvre à la charge de NAPOLÉON sont basés sur un programme de tarifs prédéterminé et tout travail de réparation doit être accompli par l'entremise d'un représentant autorisé NAPOLÉON.

*La fabrication de chaque modèle varie. La garantie s'applique uniquement aux composants disponibles avec votre appareil.

Conditions et Limitations

NAPOLÉON garantit ses produits contre les défauts de fabrication à l'acheteur d'origine seulement. L'enregistrement de la garantie n'est pas nécessaire. Fournissez simplement une preuve d'achat ainsi que le modèle et le numéro de série afin d'effectuer une réclamation de garantie. NAPOLÉON se réserve le droit de demander à son représentant d'inspecter tous produits ou pièces avant d'honorer toute réclamation. L'achat doit avoir été fait par l'entremise d'un détaillant NAPOLÉON autorisé et sous réserve des conditions et limitations suivantes:

La couverture de la garantie débute à partir de la date d'installation originale.

Cette garantie limitée s'applique seulement lorsque l'appareil demeure à l'endroit d'installation d'origine et seulement si l'appareil est installé au Canada ou aux États-Unis.

Cette garantie du fabricant n'est pas transférable et ne peut être prolongée par aucun de nos représentants.

L'installation doit être faite conformément aux instructions d'installation incluses avec le produit et à tous les codes d'incendie et de construction locaux et nationaux.

Cette garantie limitée ne couvre pas les dommages causés par un mauvais usage, un manque d'entretien, un accident, des altérations, des abus ou de la négligence et l'installation de pièces d'autres fabricants annulera cette garantie.

Cette garantie limitée ne couvre pas non plus les égratignures, les bossellements, la corrosion ou la décoloration causés par une chaleur excessive, des produits d'entretien chimiques et abrasifs, le bris par manipulation des bûches et des braises.

Au cours de la première année seulement, cette garantie s'applique à la réparation ou au remplacement des pièces garanties dont les matériaux ou la fabrication sont défectueux à la condition que le produit ait été utilisé conformément aux instructions de fonctionnement et dans des conditions normales.

~~Après la première année, concernant cette Garantie Limitée, NAPOLÉON peut, à sa discrétion, se libérer entièrement de toutes obligations en ce qui concerne cette garantie en remboursant à l'acheteur d'origine le prix de gros de toute pièce(s) garantie qui est défectueuse.~~

Après la première année, NAPOLÉON ne sera pas responsable de l'installation, de la main-d'oeuvre ou autres dépenses relatives à la réinstallation d'une pièce garantie et de telles dépenses ne sont pas couvertes par cette garantie.

Nonobstant toutes les dispositions contenues dans cette Garantie Limitée, la responsabilité de NAPOLÉON sous cette garantie est définie comme ci-dessus et elle ne s'appliquera à aucun dommage accidentel, consécutif ou indirect.

Cette garantie définit l'obligation et la responsabilité de NAPOLÉON en ce qui concerne l'appareil au gaz Napoléon et toute autre garantie énoncée ou implicite en ce qui concerne ce produit, ses composants ou accessoires est exclue.

Cette garantie limitée ne couvre pas les dommages causés par l'utilisation de composants qui ne sont pas fournis avec l'appareil, ou l'utilisation d'un combustible autre que celui spécifié.

Tous dommages causés à l'appareil par les intempéries, de longues périodes d'humidité, la condensation, les produits chimiques ou produits d'entretien nuisibles ne seront pas la responsabilité de NAPOLÉON.

La facture ou sa copie sera requise ainsi qu'un numéro de série et un numéro de modèle lors d'une réclamation auprès de votre représentant autorisé. La carte d'enregistrement de garantie doit être retournée dans les quatorze jours pour enregistrer la garantie.

NAPOLÉON se réserve le droit de demander à son représentant d'inspecter tout produit ou pièce avant d'honorer toute réclamation.

Le fabricant peut exiger que les pièces défectueuses ou les produits soient retournés ou que des photos numériques soient fournies pour valider la réclamation. Les produits retournés doivent être expédiés port payé au fabricant pour une inspection en usine. Si un produit est déclaré défectueux, le fabricant le réparera ou le remplacera.

Avant d'expédier votre appareil ou les pièces défectueuses, votre détaillant doit obtenir un numéro d'autorisation. Toute marchandise expédiée à notre usine sans autorisation sera refusée et retournée à l'expéditeur.

Les coûts d'expédition ne sont pas couverts par cette garantie.

~~Des frais de service supplémentaires peuvent être appliqués si vous cherchez à obtenir des services au titre de la garantie auprès d'un détaillant.~~

Les frais de déplacement pour de tests de diagnostic, d'expédition et autres frais afférents ne sont pas couverts par cette garantie.

Toutes les spécifications et les conceptions sont sujettes à modifications sans préavis en raison des améliorations constantes apportées aux produits. Napoléon est une marque de commerce déposée de Wolf Steel Ltée.

Historique de service de l'appareil

Cet appareil doit être entretenu annuellement selon son usage.

Date	Détaillant	Nom du Technicien	Travail Effectué	Problèmes Particuliers

NAPOLÉON CÉLÈBRE PLUS DE 40 ANS D'EXISTENCE CONSCRÉS À LA CONCEPTION DE PRODUITS DE CONFORT



7200, Route Transcanadienne, Montréal, Québec H4T 1A3
24 Napoleon Road, Barrie, Ontario, Canada L4M 0G8
214 Bayview Drive, Barrie, Ontario, Canada L4N 4Y8
103 Miller Drive, Crittenden, Kentucky, USA 41030
De Riemsdijk 22, 4004 LC Tiel, Pays-Bas

Téléphone: 1-866-820-8686

napoleon.com