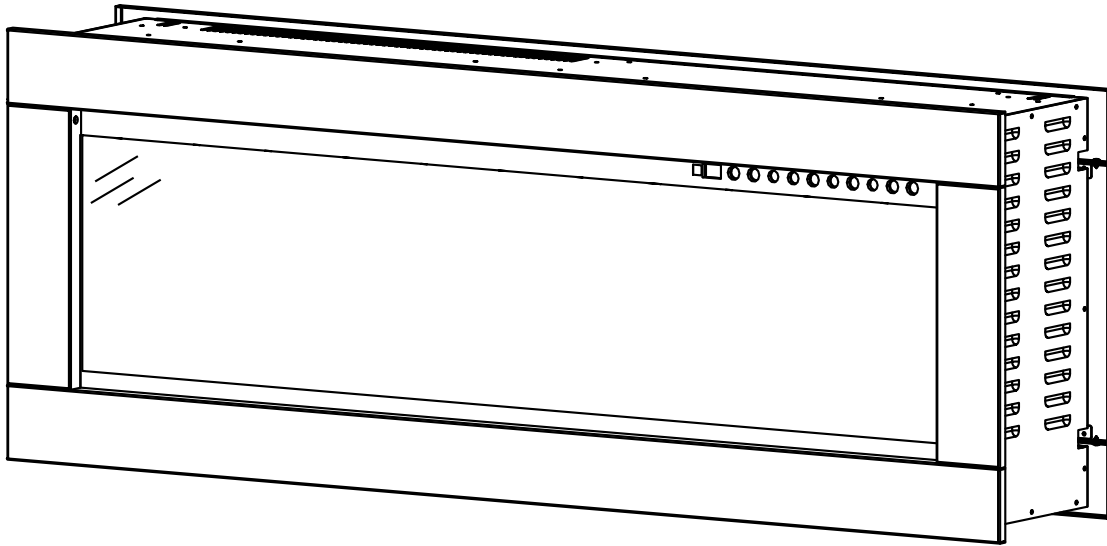




INSTALLATION AND OPERATION MANUAL

CLEARion™ Elite
(NEFBD50HE Illustrated)



SAFETY INFORMATION

⚠ WARNING

FIRE OR EXPLOSION HAZARD

If the information in these instructions are not followed exactly, a fire or explosion may result causing property damage, personal injury, or loss of life.

- Do not store or use gasoline or other flammable vapors and liquids in the vicinity of this or any other appliance.

INSTALLER:

Leave this manual with the appliance

CONSUMER:

Retain this manual for future reference



This appliance has a remote that requires button batteries that are hazardous to young children.

FOR INDOOR USE ONLY

CERTIFIED TO THE CANADIAN AND AMERICAN NATIONAL STANDARDS:
CSA C22.2 NO. 46 / UL 2021



Wolf Steel Ltd., 24 Napoleon Rd., Barrie, ON, L4M 0G8 Canada / 103 Miller Drive, Crittenden, Kentucky, USA, 41030
Phone 1 (866) 820-8686 • www.napoleon.com • hearth@napoleon.com

! WARNING

- **If equipped with a heater, this appliance can be hot when operated and can cause severe burns if contacted.**
- Do not operate appliance before reading and understanding operating instructions. Failure to operate appliance according to operating instructions could cause fire or injury.
- Do not install damaged, incomplete or substitute components.
- Do not burn wood or other materials in this appliance.
- All electric appliances have hot and arcing or sparking parts inside. Do not use it in areas where a gas line, paint or flammable liquids are present.
- Any safety screen or guard removed for servicing must be replaced prior to operating the appliance.
- It is imperative that the control compartments, circulating blower and its passageway in the appliance are kept clean. The appliance should be inspected before use and at least annually by a qualified service person. More frequent cleaning may be required due to excessive lint from carpeting, bedding material, etc. The appliance area must be kept clear and free from combustible materials, gasoline and other flammable vapors and liquids.
- Under no circumstances should this appliance be modified.
- Do not use this appliance if any part has been under water. Immediately call a qualified service technician to inspect the appliance and to replace any part of the control system which has been under water.
- If equipped with a glass door, do not operate the appliance with the glass door removed, cracked or broken. Replacement of the glass should be done by a licensed or qualified service person. Do not strike or slam shut the appliance glass door.
- Keep the packaging material out of reach of children and dispose of the material in a safe manner. As with all plastic bags, these are not toys and should be kept away from children and infants.
- Servicing should be done only while the appliance is disconnected from the power supply circuit.
- Do not operate this appliance with a damaged cord or plug after the appliance malfunctions, has been dropped or damaged in any manner. Return appliance to authorized service facility for examination, electrical or mechanical adjustment, or repair.
- Do not use outdoors.
- When installing this appliance in a room where water is present, the installation must comply with codes recognizing the increased hazard of electrical shock and electrocution.

note:

This appliance is NOT suitable for installation in a bathroom.

- Connect to properly grounded circuit.
- Do not insert or allow foreign objects to enter any ventilation or exhaust opening as this may cause an electric shock or fire, or damage the appliance.
- It is normal for your electric appliance to produce noise, especially when installed in a quiet space such as a bedroom.

 **WARNING**

- To prevent a possible fire, do not block air intakes or exhaust in any manner. Do not use on soft surfaces, like a carpet, where openings may become blocked.
- These appliances are tested and listed for use only with the optional accessories listed in these instructions. Use of optional accessories not specifically tested for this appliance could void the warranty and/or result in a safety hazard.

For appliances equipped with a heater:

- Risk of burns. Power to the appliance should be turned off and the appliance allowed to cool before servicing. To disconnect power to the appliance, turn controls to off, then remove plug from outlet.
- Young children should be carefully supervised when they are in the same room as the appliance. Toddlers, young children and others may be susceptible to accidental contact burns. A physical barrier is recommended if there are at risk individuals in the house. To restrict access to an appliance or stove, install an adjustable safety gate to keep toddlers, young children and other at risk individuals out of the room and away from hot surfaces.
- Clothing or other flammable material should not be placed on or near the appliance.
- Due to high temperatures, the appliance should be located out of traffic and away from furniture and draperies.
- Ensure you have incorporated adequate safety measure to protect infants/toddlers from touching hot surfaces.
- Even after the appliance is off, the glass and/or screen will remain hot for an extended period of time.
- Check with your local hearth specialty dealer for safety screens and hearth guards to protect children from hot surfaces. These screens and guards must be fastened to the floor.
- Ensure clearances to combustibles are maintained when building a mantel or shelves above the appliance. Elevated temperatures on the wall or in the air above the appliance can cause melting, discolouration or damage to decorations, a TV or other electronic components.


 **WARNING:** This product can expose you to chemicals including lead and lead compounds, which are known to the State of California to cause cancer, and chemicals including BBP and DEHP, which are known to the State of California to cause birth defects or other reproductive harm. For more information, go to www.P65Warnings.ca.gov.

table of contents

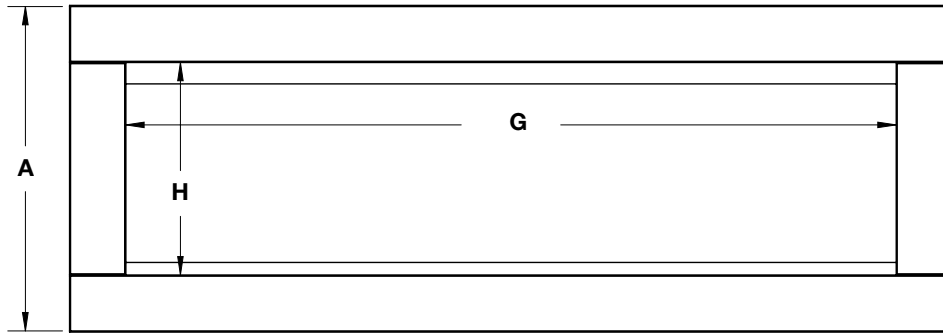
1.0	general information	5
1.1	dimensions	5
1.2	product information	6
1.3	general instructions	6
1.4	parts list	6
1.5	unpacking appliance	7
1.6	rating plate information	7
1.7	label location	8
1.8	magnetic buttons	8
2.0	installation	9
2.1	locating the appliance	9
2.2	grounding the appliance	10
2.3	minimum clearance to combustibles	10
2.4	minimum mantel clearances	10
2.5	framing	11
2.6	installing the appliance	12
3.0	electrical information	14
3.1	NEFBD50HE wiring diagram	14
3.2	NEFBD60HE wiring diagram	15
3.3	hard-wiring installation	16
3.4	120V hard-wire connection	17
3.5	240V hard-wire connection	18
4.0	finishing	19
4.1	front trim removal / installation	19
4.2	front glass removal / installation	19
4.3	media installation	20
4.3.1	log set and topaz glass installation	20
4.3.2	acrylic crystal media installation	20
5.0	operating instructions	21
5.1	main power button	21
5.2	operating touch panel and remote control	21
6.0	maintenance	24
6.1	cleaning	24
6.2	remote battery installation	25
7.0	replacement parts	26
7.1	NEFBD50HE overview	27
7.2	NEFBD60HE overview	28
8.0	accessories	29
8.1	NEFBD50HE accessories	29
8.2	NEFBD60HE accessories	30
9.0	troubleshooting	31
10.0	warranty	33

note:

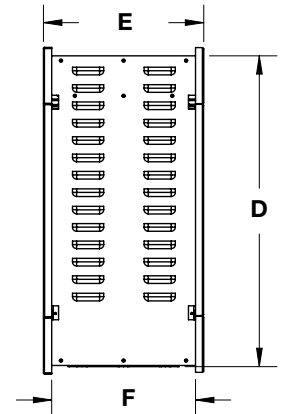
The information throughout this manual is believed to be correct at the time of printing. Wolf Steel Ltd. reserves the right to change or modify any information within this manual at any time without notice. Changes, other than editorial, are denoted by a vertical line in the margin.

1.1 dimensions

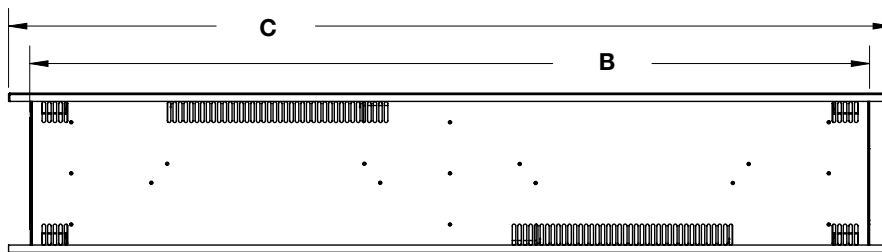
front view



right side view



top view



	A	B	C	D	E	F	G	H
NEFBD50HE	18 3/8" (467mm)	47 9/16" (1208mm)	50" (1270mm)	17 5/8" (447mm)	9 1/16" (231mm)	8 1/8" (207mm)	43 5/8" (1108mm)	12 1/16" (306mm)
NEFBD60HE	20 7/16" (518mm)	57 1/2" (1461mm)	60" (1524mm)	19 5/8" (498mm)	9 3/16" (234)	8 3/16" (208)	53 1/2" (1359mm)	14" (356mm)

general information

1.2 product information

This appliance has been tested in accordance with the CSA Standards for fixed and location-dedicated electric room appliances in the United States and Canada. If you need assistance during installation, please contact your local dealer.

	NEFB50HE	NEFB60HE
Description	See-Thru Electric Appliance	
Type	Electric Appliance	
Voltage	120V AC / 240V AC	
Watts	MAX 1500W / 3000W	
Amps	Dedicated 15 AMP Grounded Circuit	
Net Weight	101.4 lbs (46kg)	130 lbs (59kg)
Gross Weight	131.2 lbs (59.5kg)	176.4 lbs (80kg)

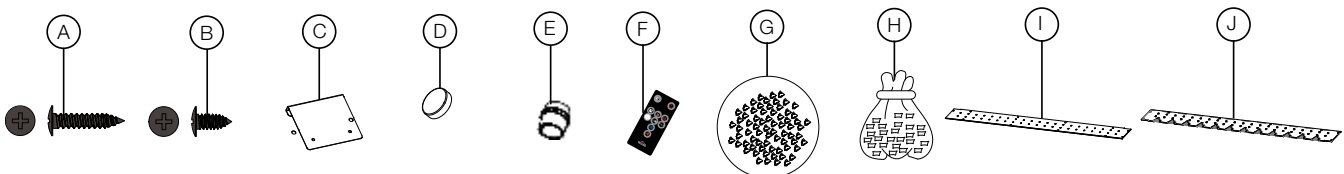
1.3 general instructions

- The appliance may emit a slight, harmless odour when first used. This odour is normal and it is caused by the initial heating of internal appliance elements and will not occur again.
- If your appliance does not emit heat when called for, consult the “operation” section of this manual for further information.
- Use with a CSA or UL certified surge protector.

This electric appliance meets the construction and safety standards of H.U.D. for application in manufactured homes when installed according to these instructions.

As with most electronic devices, your new electric appliance has been designed to operate at temperatures between 5°C (41°F) and 35°C (95°F). During the colder winter months, allow the appliance to reach room temperature before turning it on.

1.4 parts list

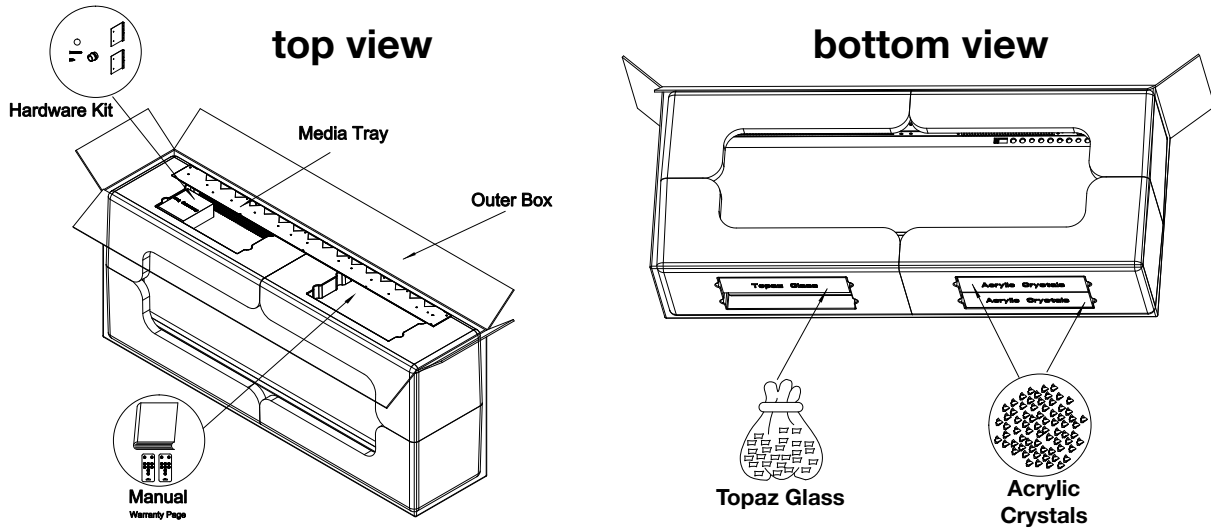


Ref.	Description	Quantity	
		NEFB50HE	NEFB60HE
A	Metal Screws (Black)	4	
B	Metal Screws (Black)	12	
C	Mounting Bracket	2	
D	Magnetic Buttons	8	
E	Strain Relief	1	
F	Remote Control	2	
G	Acrylic Crystals	3.5 lbs (1.6kg)	4.4 lbs (2kg)
H	Topaz Glass	3 lbs (1.4kg)	4 lbs (1.8kg)
I	Media Tray (Front)	1	
J	Media Tray (Back)	1	

1.5 unpacking appliance

! WARNING

- Ensure to carefully remove the appliance from the box.



note:

The appliance comes with medium density fibreboard (MDF board) installed on the sides. See “installing the appliance” section for more details about removal.

1.6 rating plate information

CERTIFIED UNDER CANADIAN AND AMERICAN NATIONAL STANDARD: CSA 22.2 NO. 46 AND UL 2021 / HOMOLOGUÉ SELON LES NORMES NATIONALES CANADIENNES ET AMÉRICAINES: CSA 22.2 NO. 46 ET UL 2021

ELECTRIC FIREPLACE. SUITABLE FOR BEDROOM AND BED-SITTING ROOM INSTALLATION. SUITABLE FOR MOBILE HOME INSTALLATION.

FOYER À ÉLECTRIQUE. HOMOLOGUÉ POUR INSTALLATION DANS UNE CHAMBRE À COUCHER, UNE SALLE DE BAIN ET UN STUDIO. APPROPRIÉ POUR INSTALLATION DANS UNE MAISON MOBILE.

MASTER CONTRACT: 161746 **CONTRACT-CADRE: 161746**
 NEFBD50HE CEFBD50HE

VOLTAGE: 120/240 V **TENSION: 120/240 V**
FREQUENCY: 60Hz **FRÉQUENCE: 60Hz**
POWER: 1500W/3000W **PUISSANCE: 1500W/3000W**
DATE CODE: **CODE DE DATE:**

DESIGNED IN NORTH AMERICA BY WOLF STEEL LTD. DÉSIGNÉ AMÉRIQUE DU NORD PAR WOLF STEEL LTD.
 MADE IN CHINA FABRIQUE EN CHINE

WOLF STEEL LTD.
 24 NAPOLEON ROAD,
 BARRIE, ON, L4M 0G8 CANADA

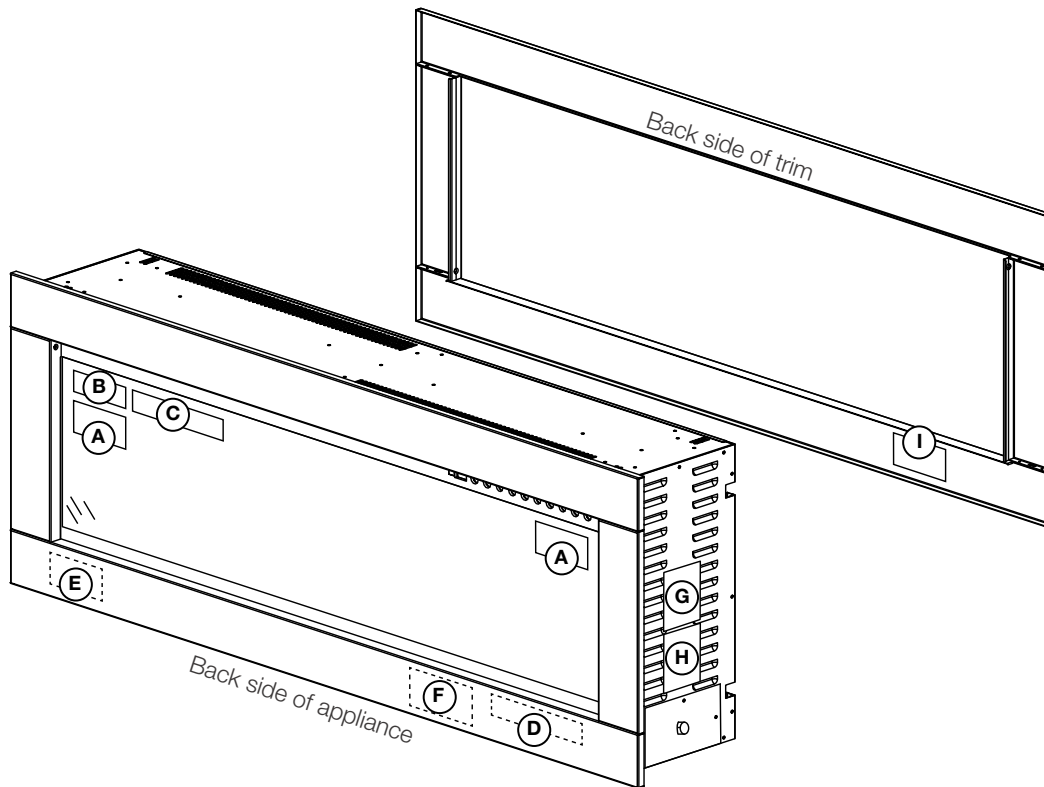
SERIAL NUMBER/NO. DE SERIE: NEFBD50HE W385-2408

This illustration is for reference only. Refer to the rating plate on the appliance for accurate information.

note:

The rating plate must remain with the appliance at all times. It must not be removed.

1.7 label location



Ref.	Part Number	Description
A*	W385-2235	Locker Label
B*	W385-2210	“Do Not Cover” Label
C*	W385-2017	“Hot Surface” Label
D**	W385-2163	Warning Label
E**	W385-2408	NEFBD50HE Rating Plate
	W385-2469	NEFBD60HE Rating Plate
F**	W385-2167	Caution Label
G	W385-4513	120V Hard-Wiring Label
H	W385-4514	240V Hard-Wiring Label
I***	W385-4515	NEFBD50HE Wiring Diagram
	W385-2477	NEFBD60HE Wiring Diagram

note:

Labels may not always appear exactly where they are illustrated.

* Labels located on front and back sides of glass.

** Label located behind trim on front and back sides of appliance.

*** Labels located on back side of trim.

1.8 magnetic buttons

Your appliance is equipped with magnetic buttons (see “parts list” and “replacement parts” sections for details). **The buttons are optional and for decorative purposes only.**

If using, place the magnetic buttons on the four corners of the appliance surround (**Fig. 1-1**). Avoid sliding as this can scratch the painted surface.

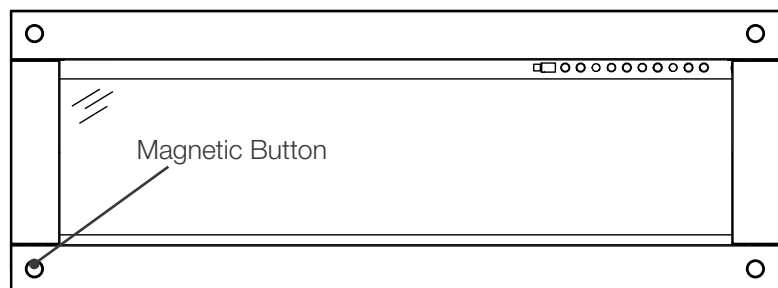


Fig. 1-1

! WARNING

- Risk of fire! The power cord must not be pinched against a sharp edge. Secure cord to avoid tripping or snagging to reduce the risk of fire, electric shock, or personal injury. Do not run cord under carpeting. Do not cover cord with throw rugs, runners, or similar items. Arrange cord away from traffic areas and where it will not be tripped over.
- Risk of fire! To prevent a possible fire, do not block air intake or exhaust in any manner. Do not use on soft surfaces where openings may become blocked.
- Risk of fire! Do not blow or place insulation against the appliance.
- This electric appliance is tested and listed for use only with the approved optional accessories. Use of optional accessories not specifically tested for this electric appliance could void the warranty and/or result in a safety hazard.
- If the information in these instructions is not followed exactly, a fire or explosion may result causing property damage, personal injury, or death. Do not store or use gasoline or other flammable vapors in the vicinity of this or any other appliance.
- This appliance is heavy. It is highly recommended that two people install this appliance.
- If your appliance is equipped with a heater, ensure the heater vents cannot, in any way, be covered as it may create a fire hazard.
- Do not run the power cord horizontally, directly below the appliance.

This is a see-thru electric appliance installed into a wall. Select a suitable location that is not susceptible to moisture and is away from drapes, furniture and high traffic areas.

note:

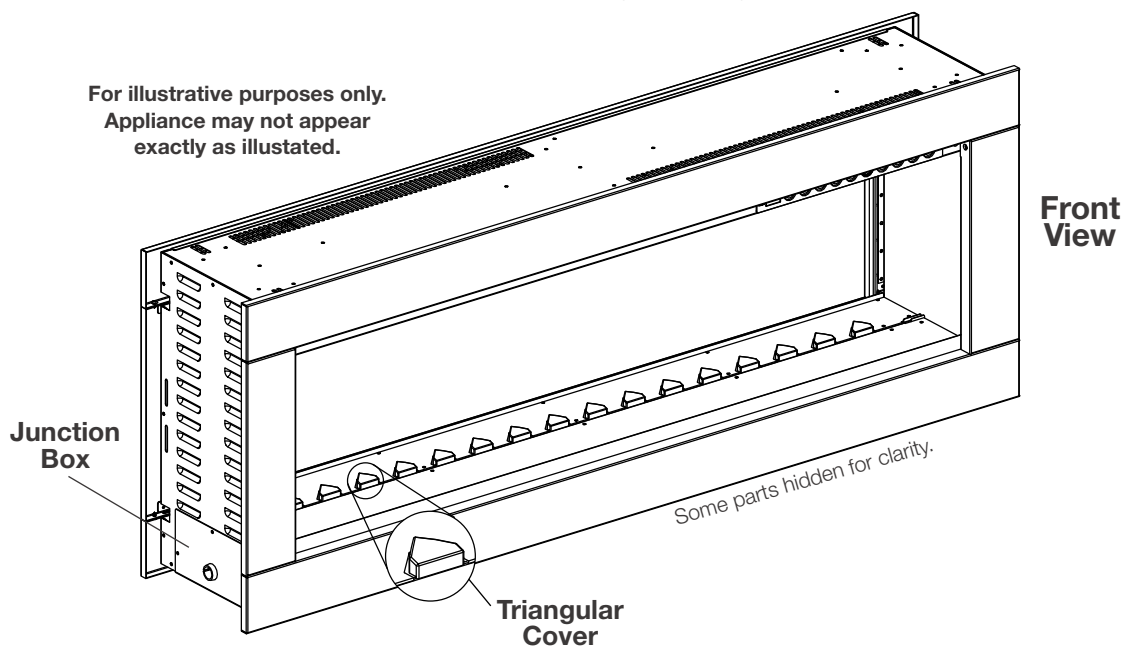
Follow all national and local electrical codes.

2.1 locating the appliance

! WARNING

- Due to high temperatures, this electric appliance should be located out of traffic. Keep combustible materials, such as furniture, pillows, bedding, papers, clothes, curtains, and similar items at least 36" (91.4cm) from the front of the appliance.
- Never locate this electric appliance where it may fall into a bathtub or other water container.
- Wear safety gloves and safety glasses for protection during installation and maintenance.
- To prevent contact with sagging or loose insulation, the electric appliance must not be installed against vapor barrier or exposed insulation. Localized overheating could occur and fire could result.
- Do not expose the electric appliance to the elements (such as rain, etc.).

To determine the front of the appliance, ensure the junction box is located on the left side of the appliance and the triangular covers are located on the other side of the firebox (see below).



installation

2.2 grounding the appliance

! WARNING

- This appliance is for use with 120 volts and 240 volts.
- A bonded/grounded power source is **mandatory** for this appliance.
- This appliance must be connected to a dedicated 15 amp circuit. The use of an extension cord is **NOT** permitted.

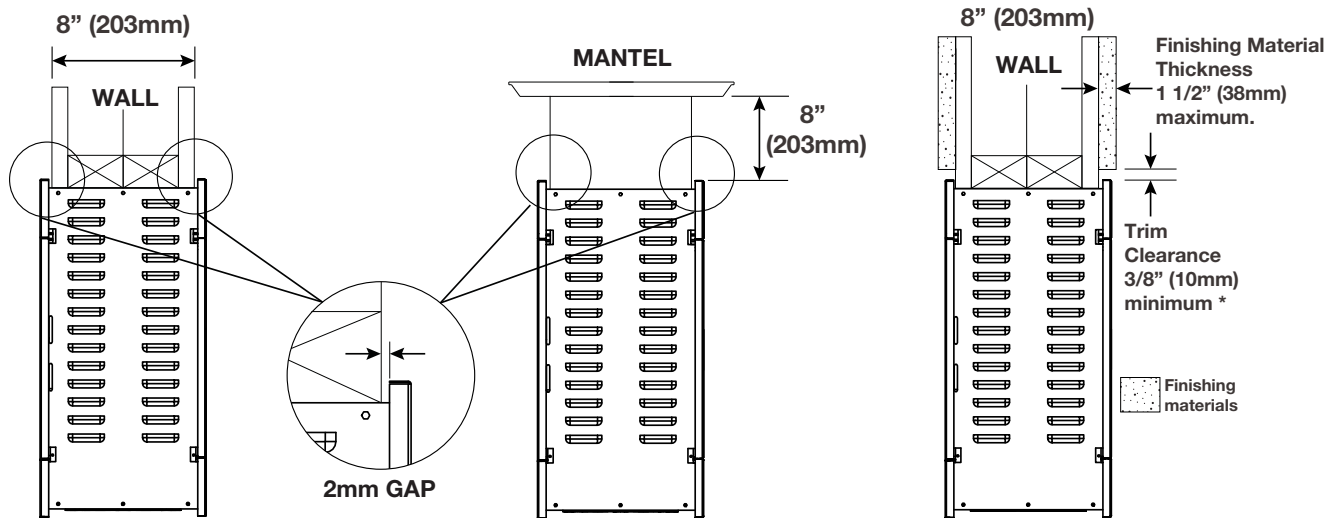
2.3 minimum clearance to combustibles

Measurements are taken from the front trim	
Bottom	0"
Sides	0"
Front / Back	36" (914mm)
Mantel	8" (203mm)

2.4 minimum mantel clearances

! WARNING

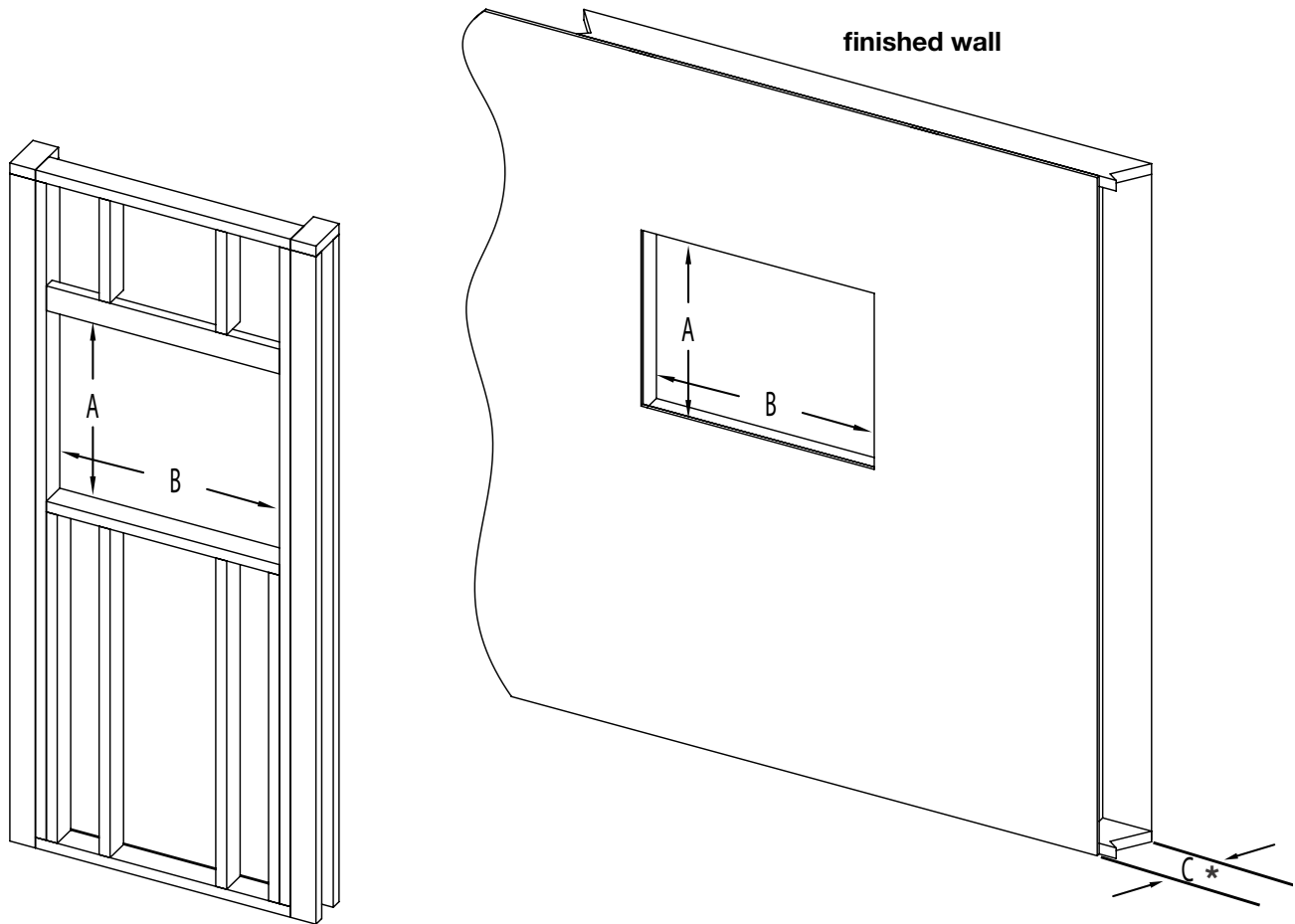
- When using paint or lacquer to finish the mantel, the paint or lacquer must be heat resistant to prevent discoloration.



note:

* If finishing materials are installed on top of the already 8" (203mm) wall, a 3/8" (10mm) clearance must be maintained at the top of the trim in order to service the appliance.

2.5 framing



	NEFBD50HE	NEFBD60HE
A	17 15/16" (456mm)	19 15/16 (506mm)
B	49" (1245mm)	59" (1497mm)
C	8" (203mm) max.	
	4 1/2" (114mm) ** min	

important:

* This measurement includes thickness of finishing materials.

** Deep trim accessory available for this thickness of wall (see "accessories" section).

installation

2.6 installing the appliance

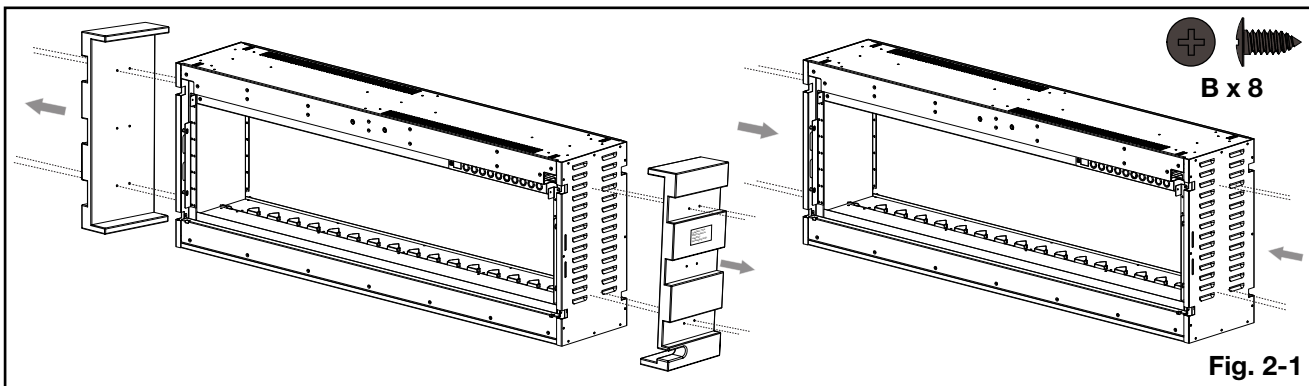
note:

It is recommended to have the walls of the appliance enclosure be finished (i.e. drywall) to avoid exposed insulation or vapour barrier coming in contact with the appliance. This will ensure clearance to combustibles is maintained.

Wall anchors are not required when screwing into the wall stud.

It is recommended to use a magnetic screwdriver bit during installation to prevent the screws from falling into the appliance.

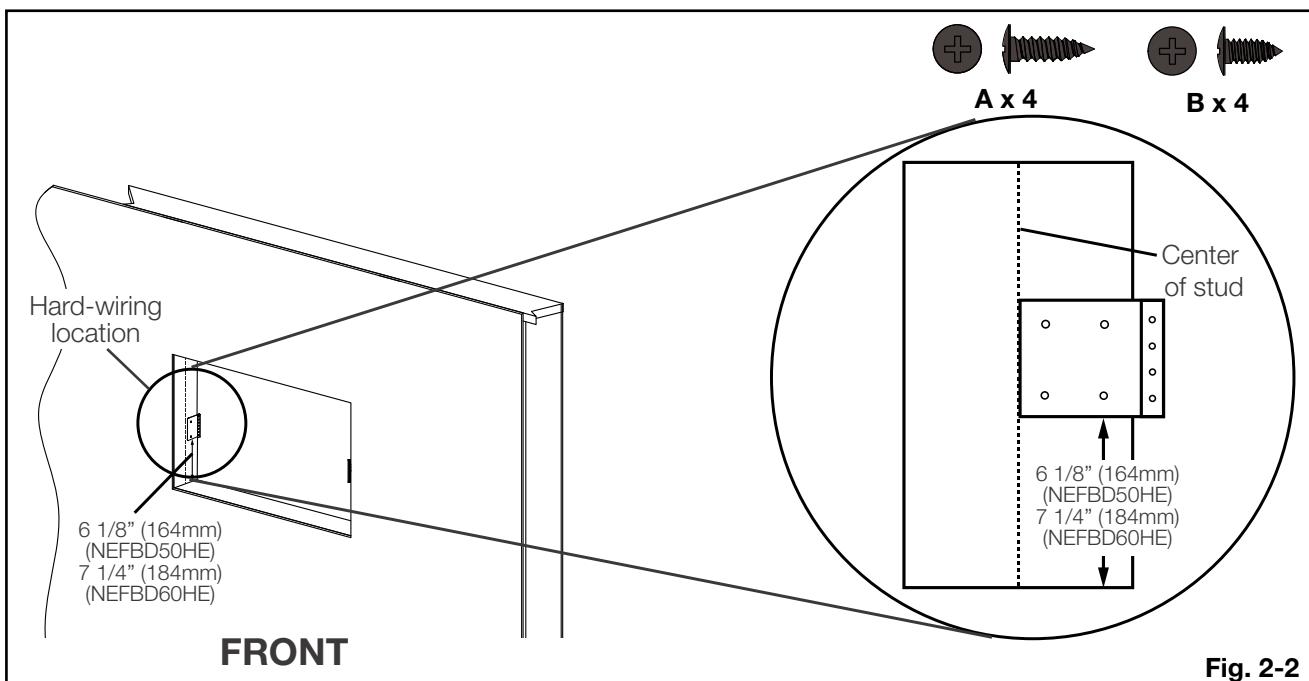
- A. Frame an opening (see “framing” section for details).
- B. Make hardwire connections on the left of the intended front side.
- C. Remove the front trims of the appliance (see “front trim removal / installation” section).
- D. Remove the front glass from the appliance (see “front glass removal / installation” section).
- E. Remove the 2 MDF support ends from the appliance by removing the screws. Discard both MDF boards. Use 4 new screws (supplied) on each side to cover MDF board screw holes (**Fig. 2-1**).



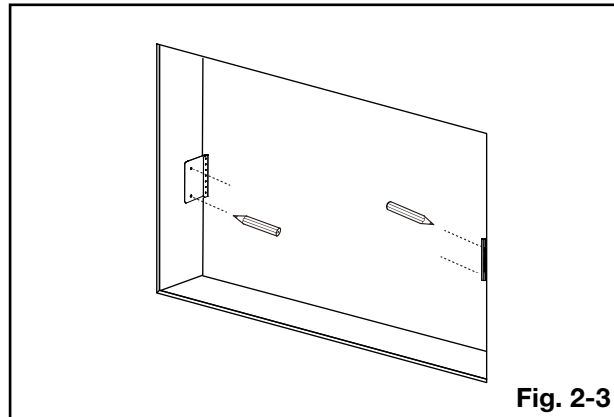
note:

Installation uses 2 mounting brackets in opposite corners. Looking at the stud from the centre of the opening, the brackets will extend out to the right (**Fig. 2-2**).

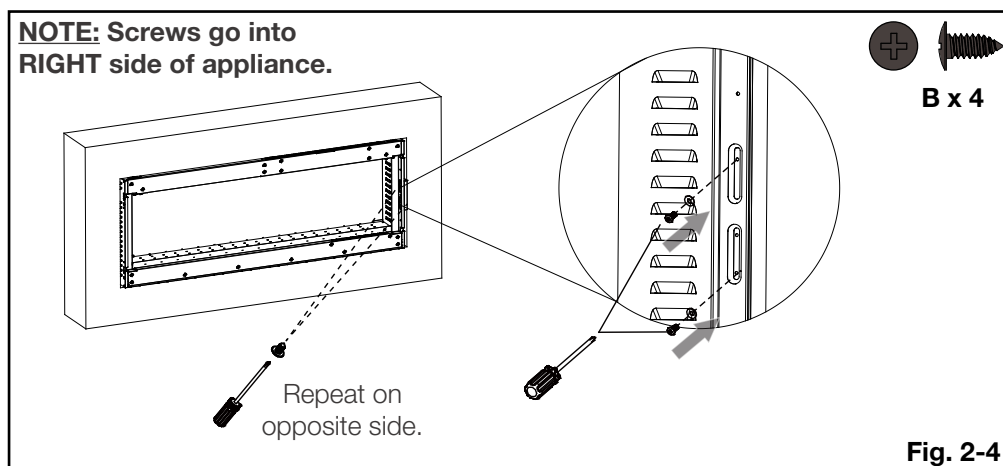
- F. Mark the centre of the wall depth on the vertical stud and install the mounting brackets by aligning the edge of the bracket with the centre marking. Measure 6 1/8" (164mm) (NEFBD50HE) / 7 1/4" (184mm) (NEFBD60HE) from the bottom of the bracket to the bottom of the opening (**Fig. 2-2**).



- G. Mark the holes for the mounting bracket. Ensure the marked holes are on opposite sides, as the brackets cannot be mounted on the same side (**Fig. 2-3**).



- H. Drill marked holes and secure the mounting brackets with screws (supplied).
- I. Locate the appliance to the opening and position so that the hard wiring connections can be made (see “hardwiring” section).
- J. Locate the appliance fully into the opening and position against the mounting brackets. Align the bracket screw hole with the slots in the side of the appliance and screw through the slots to secure the appliance into the mounting brackets. Repeat on opposite side (**Fig. 2-4**).



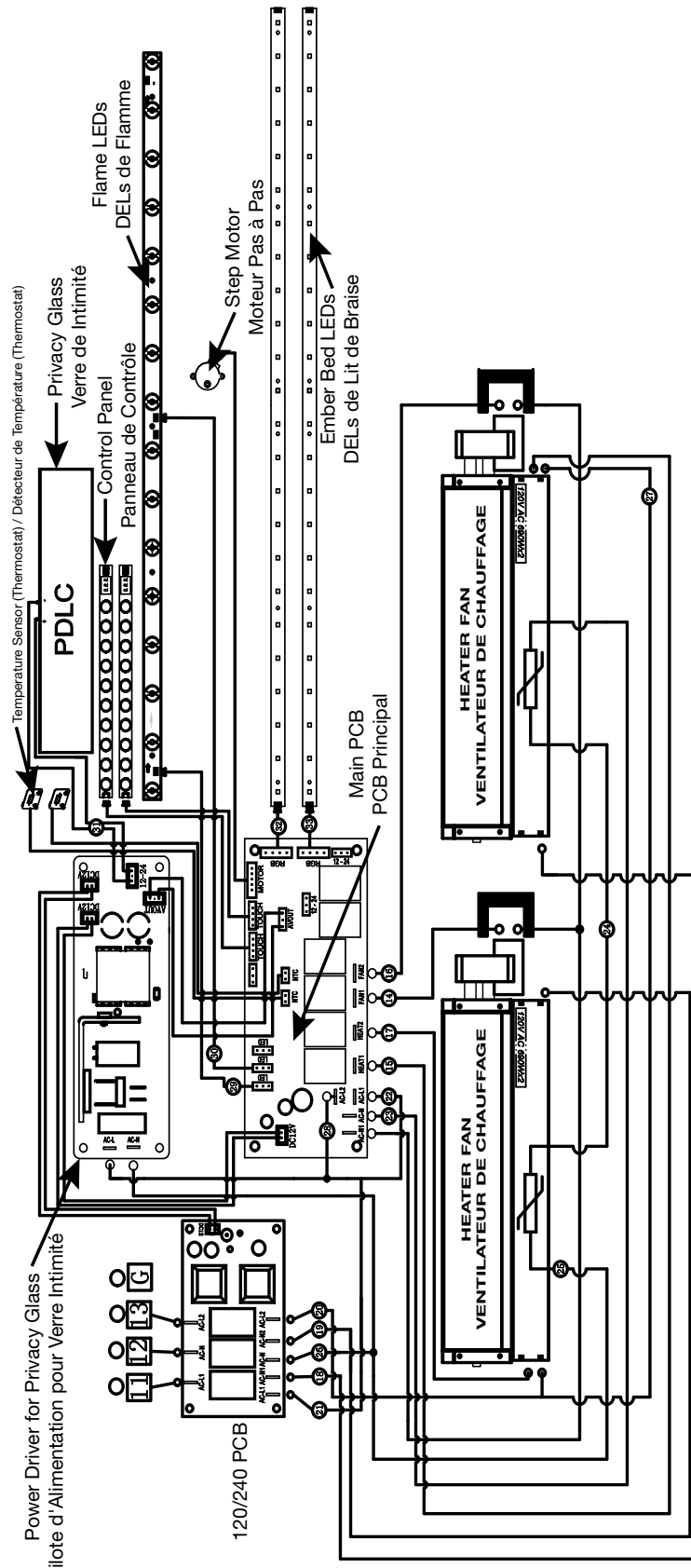
- K. Install media (see “media installation” section).
- L. Reinstall front glass and front trim (see “front glass removal / installation” and “front trim removal / installation” sections).

3.0 electrical information

3.1 NEFBD50HE wiring diagram

! WARNING

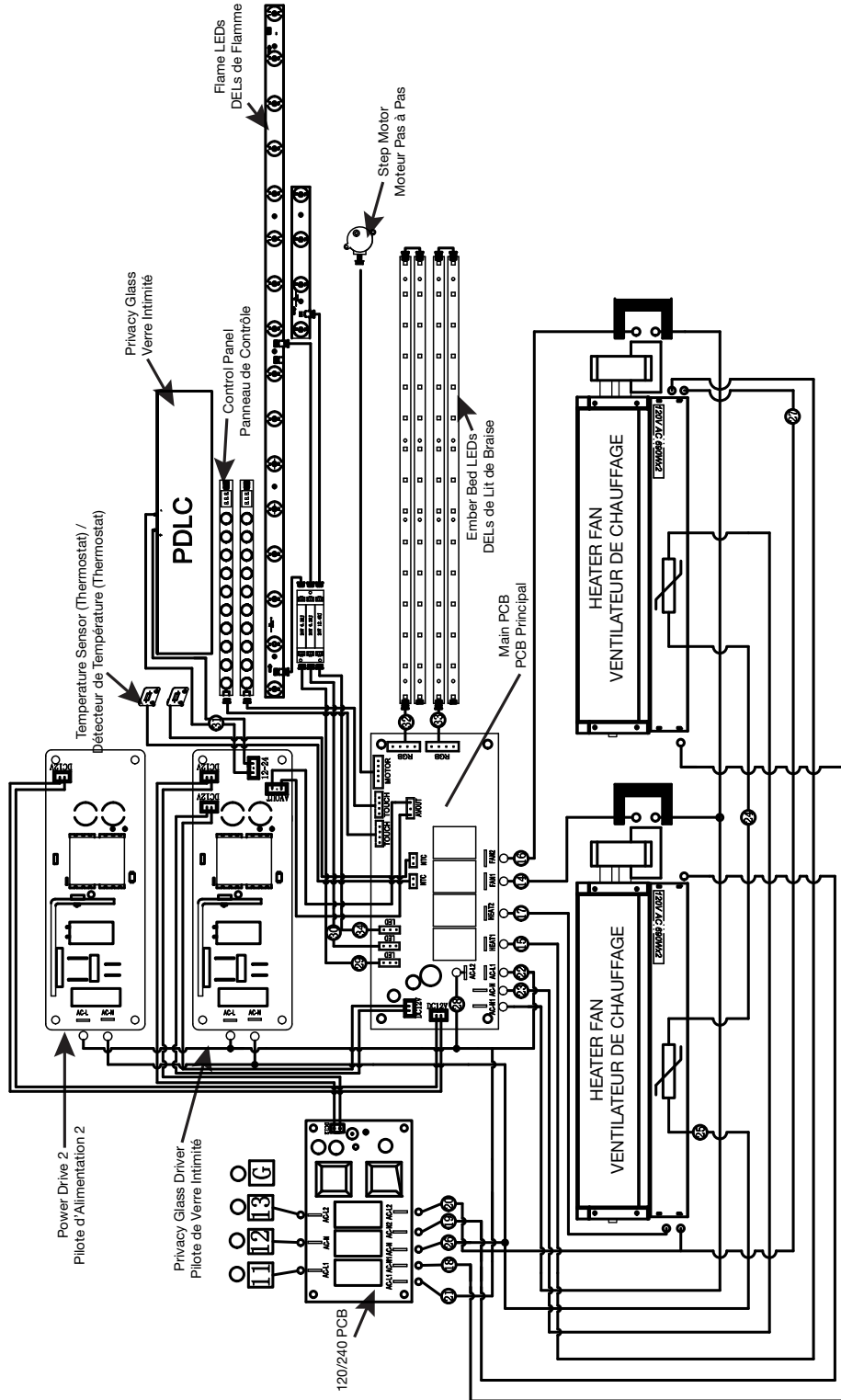
- Turn off the appliance completely and let cool before servicing. Only a qualified service person should service and repair this electric appliance.



3.2 NEFBD60HE wiring diagram

! WARNING

- Turn off the appliance completely and let cool before servicing. Only a qualified service person should service and repair this electric appliance.



electrical information

3.3 hard-wiring installation

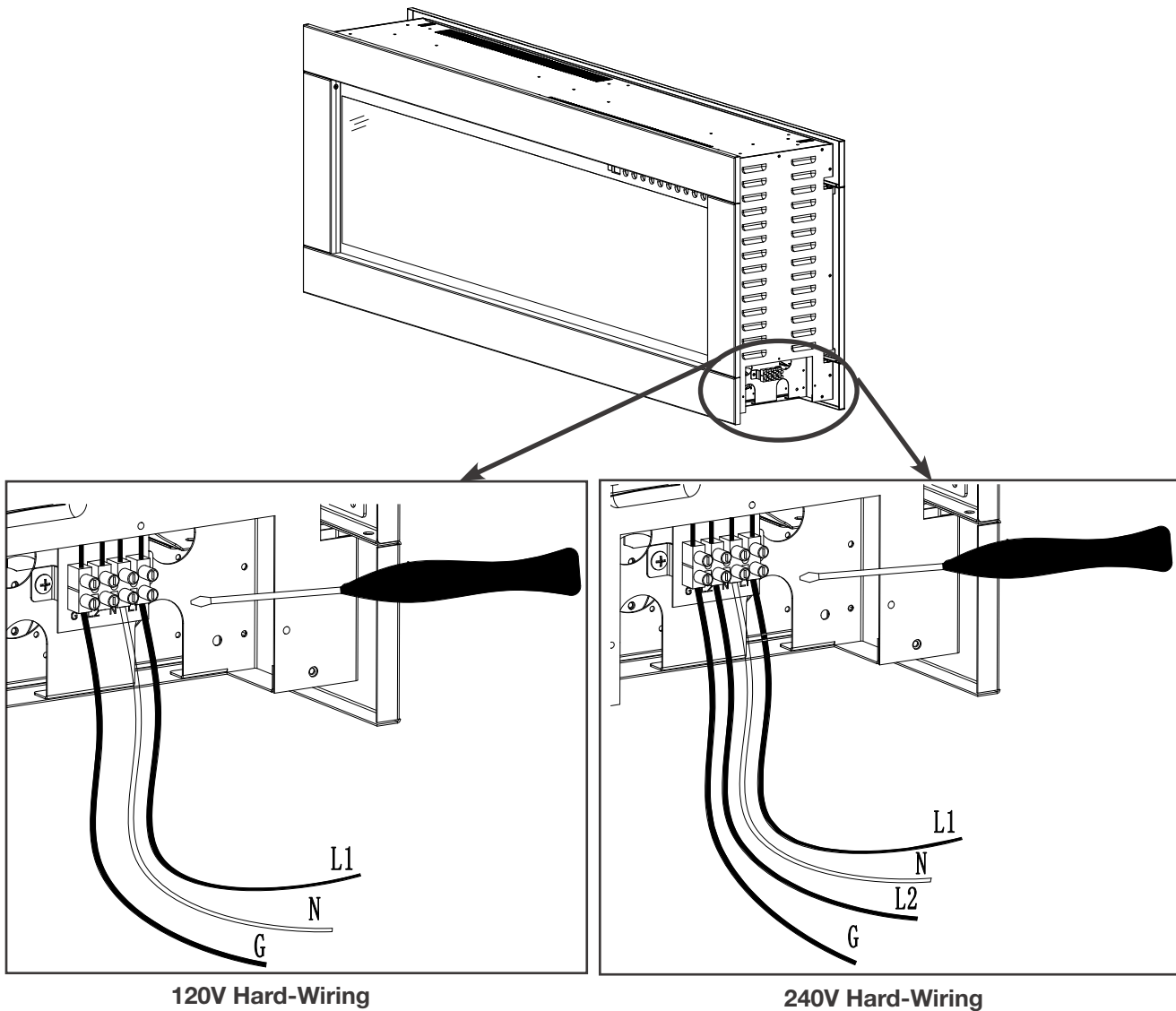
! WARNING

- Turn off the appliance completely and let cool before servicing. Only a qualified service person should service and repair this electric appliance.

Hard-Wiring Connection

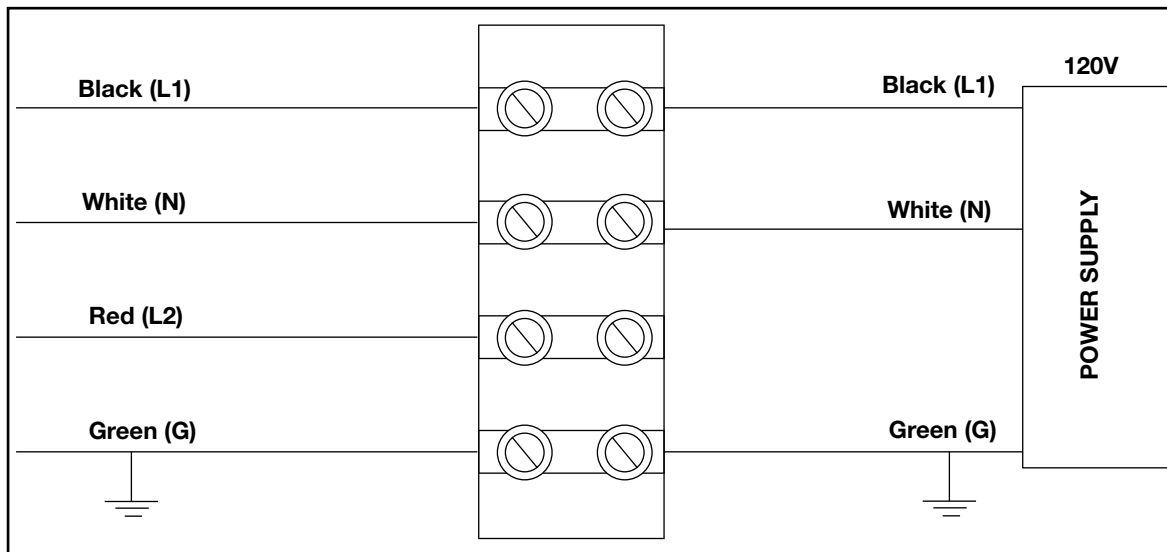
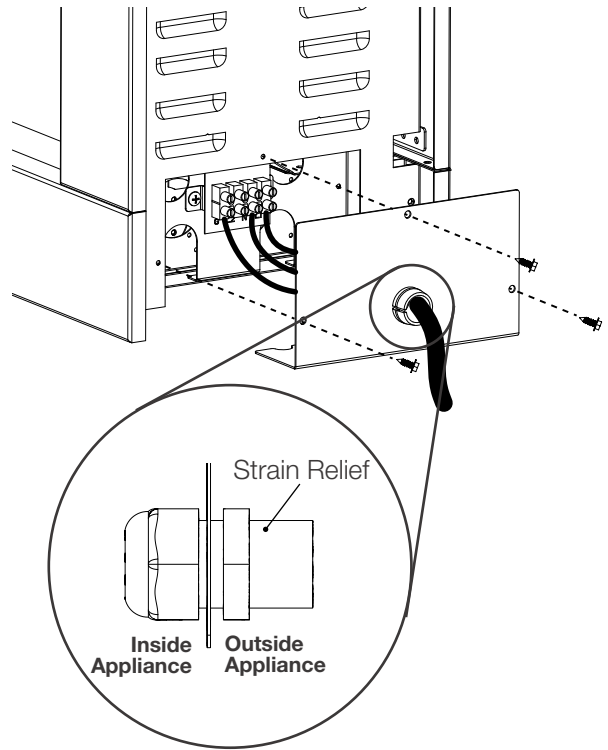
It is necessary to hard-wire this appliance. A qualified electrician must wire the appliance directly to the household wiring. The wire and power supply breaker must rated for 120V minimum 15 amps. Use 14AWG/2 for 120V and 14AWG/3 for 240V. This appliance requires a Neutral connection for both 120V and 240V connections. 120V components are still used on the 240V setting.

This appliance must be electrically connected and grounded in accordance with local codes, if hard-wired. In the absence of local codes, use the current CSA C22.1 CANADIAN ELECTRICAL CODE in Canada or the current ANSI/NFPA 70 NATIONAL ELECTRICAL CODE in the United States.



3.4 120V hard-wire connection

- A. Remove the cover plate by removing the 3 screws. Set screws aside.
- B. Add a strain relief and feed the supply wires through the 7/8" (22mm) hole from the terminal block. Use minimum 14AWG/2.
- C. Loosen the securing screws from the terminal block for the Green (G) wire. Insert Green (G) or bare copper wire from power supply to the designated (G) slots in the terminal block. Secure by tightening the screws on the (G) slots.
- D. Loosen the securing screws from the terminal block for the White (N) wire. Insert White (N) wire from power supply to the designated (N) slots in the terminal block. Secure by tightening the screws on the (N) slots.
- E. Loosen the securing screws from the terminal block for the Black (L1) wire. Insert Black (L1) wire from power supply to the designated (L1) slots in the terminal block. Secure by tightening the screws on the (L1) slots.
- F. Re-install cover plate.

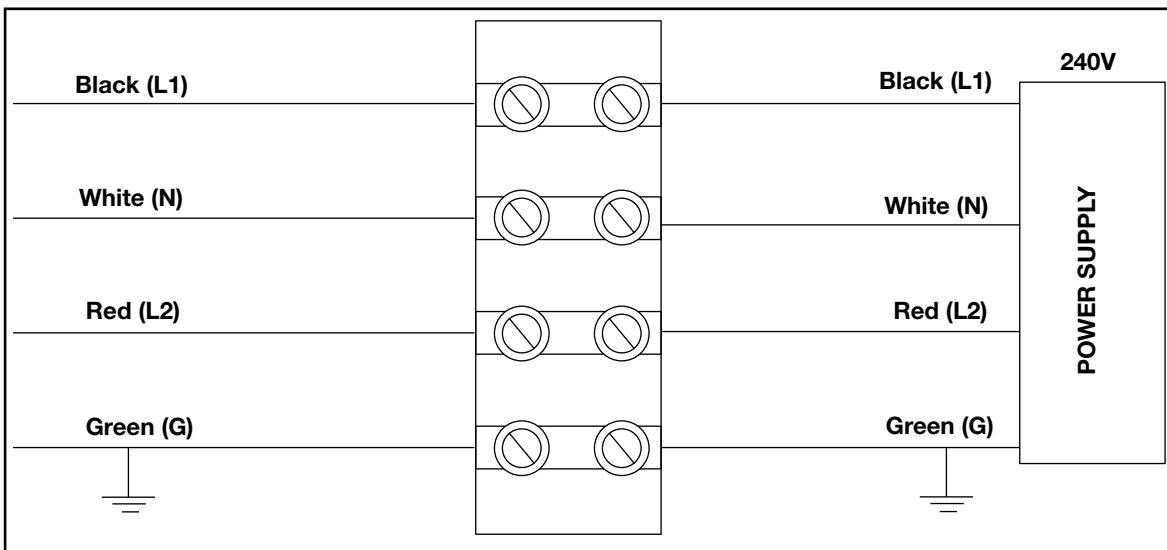
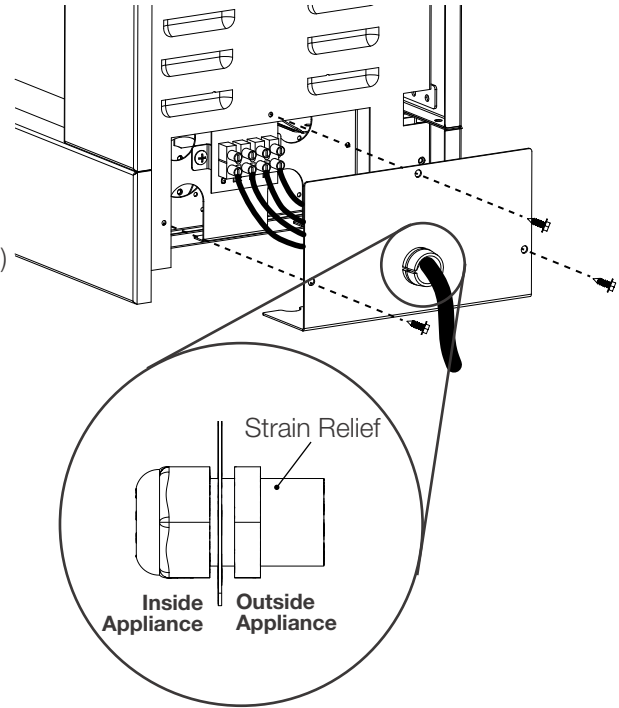


note:
 Leave enough wiring so that the appliance can be removed from the enclosure to access the hardwire connections.
 If 120V connections are wired incorrectly, the appliance will not function.

electrical information

3.5 240V hard-wire connection

- A. Remove the cover plate by removing the 3 screws. Set screws aside.
- B. Add a strain relief and feed the supply wires through the 7/8" (22mm) hole from the terminal block. Use minimum 14AWG/3.
- C. Loosen the securing screws from the terminal block for the Green (G) wire. Insert Green (G) or bare copper wire from power supply to the designated (G) slots in the terminal block. Secure by tightening the screws on the (G) slots.
- D. Loosen the securing screws from the terminal block for the White (N) wire. Insert White (N) wire from power supply to the designated (N) slots in the terminal block. Secure by tightening the screws on the (N) slots.
- E. Loosen the securing screws from the terminal block for the Black (L1) wire. Insert Black (L1) wire from power supply to the designated (L1) slots in the terminal block. Secure by tightening the screws on the (L1) slots.
- F. Loosen the securing screws from the terminal block for the Red (L2) wire. Insert Red (L2) wire from power supply to the designated (L2) slots in the terminal block. Secure by tightening the screws on the (L2) slots.
- G. Re-install cover plate.



note:

Leave enough wiring so that the appliance can be removed from the enclosure to access the hardwire connections.

If 240V connections are wired incorrectly, the appliance will not function and will emit an audible warning (i.e. beep).

4.1 front trim removal / installation

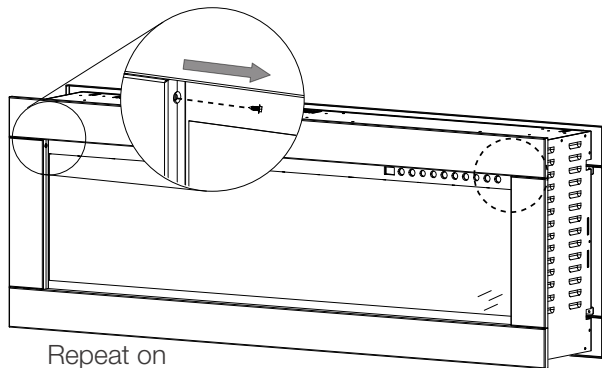
! WARNING

- Before the front trim or glass is removed or installed, unplug the appliance and wait until it is cool to the touch.
- Trim can be heavy and fragile. Handle with care.

note:

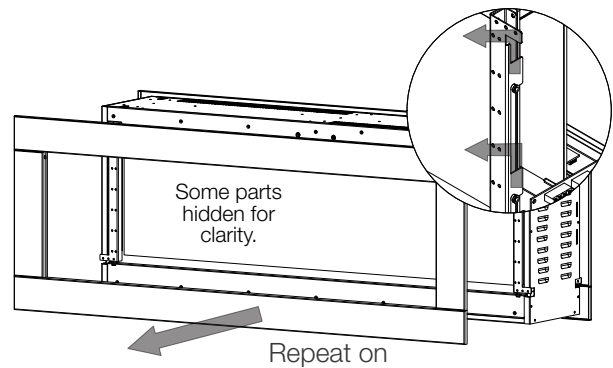
Removal / installation steps are the same for both sides of appliance (i.e. front and back).

- Remove the 2 screws holding the front trim in place (**Fig. 4-1**). Set screws aside.
- Have 2 people lift the front trim off the hooks located inside the firebox (**Fig. 4-2**). Place front trim face down on a soft, non-abrasive surface.
- Reverse these steps to install the front trim.



Repeat on opposite side.

Fig. 4-1

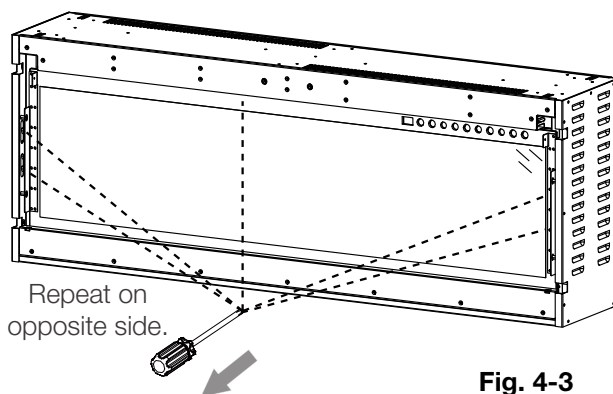


Repeat on opposite side.

Fig. 4-2

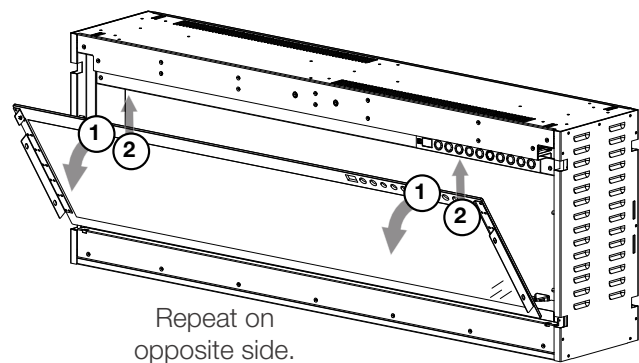
4.2 front glass removal / installation

- Remove the 5 screws holding the front glass in place (**Fig. 4-3**).
- Have 2 people lift the front glass up and out, pivoting it away from the side panels (**Fig. 4-4**). Place the front glass face down on a soft, non-abrasive surface.
- Reverse these steps to install the front glass.



Repeat on opposite side.

Fig. 4-3



Repeat on opposite side.

Fig. 4-4

finishing

4.3 media installation

There are 2 media options for this appliance: log set and acrylic crystals. The log set comes pre-installed with the appliance and has to be finished with topaz glass (see “log set and topaz glass installation” section). If desired, the log set and topaz glass can be switched out with acrylic crystals (see “acrylic crystal media installation” section).

4.3.1 log set and topaz glass installation

The log set comes pre-installed with the appliance and has to be finished with topaz glass. Carefully place the topaz glass between the log set (front and back sides) after framing the appliance and before installing the front glass.

note:

Do NOT cover triangular covers on the back side of the appliance (**Fig. 4-5**). Blocking the triangular covers with media will alter the flame appearance.

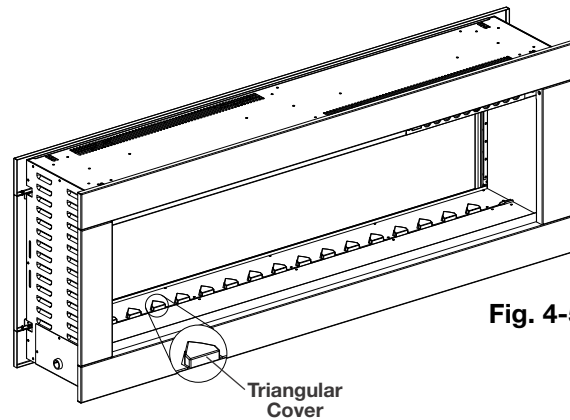


Fig. 4-5

4.3.2 acrylic crystal media installation

note:

Ensure to vacuum up any topaz glass or acrylic crystals outside the media tray area before operation.

Do NOT cover triangular covers on the back side of the appliance. Blocking the triangular covers with media will alter the flame appearance.

- A. Remove the topaz glass.
- B. Remove the screws from the log set base/media tray. Keep the screw with the log set for future use (**Fig. 4-6**).
- C. Remove the log set (**Fig. 4-7**).
- D. Install the media tray, ensuring to NOT re-install the screws as they can cause the media tray to bow when heated (**Fig. 4-8**).
- E. Carefully place the acrylic crystals into the media tray, creating an even layer from side to side.
- F. Reverse these steps to re-install the log set with topaz glass.

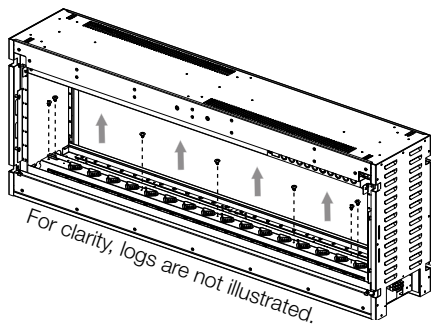


Fig. 4-6

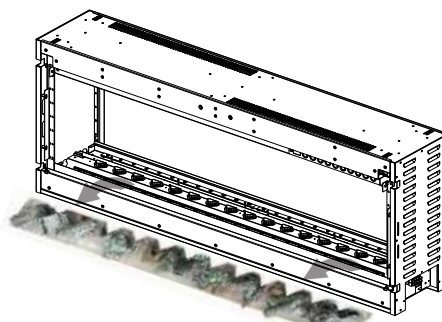


Fig. 4-7

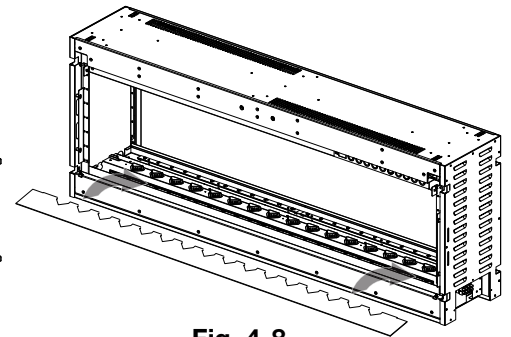


Fig. 4-8

! WARNING

- While the appliance is operating, do not remove the trim. This will cause the remote control and touch panel to malfunction.

Once the appliance has been hard-wired to a dedicated 120V/240V power supply, it is ready to operate.

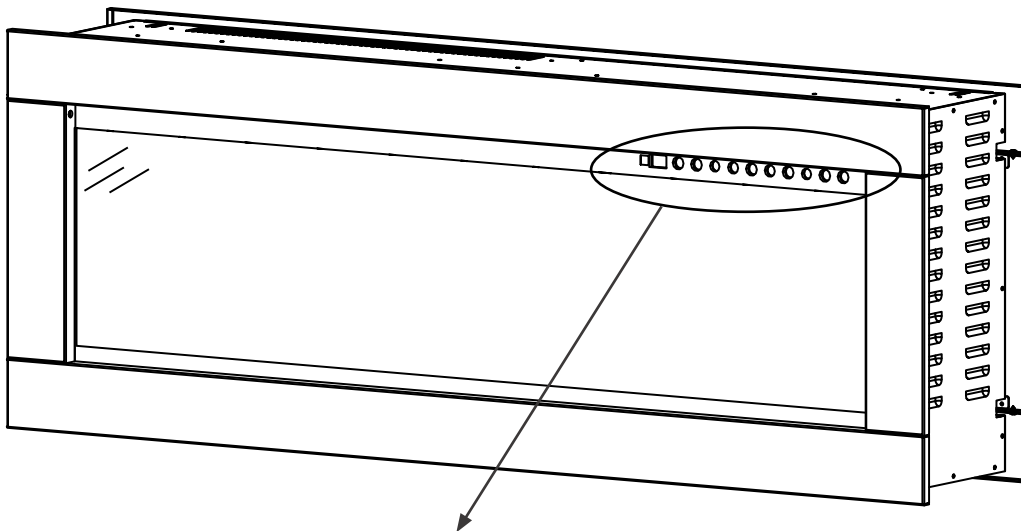
note:

Ensure the house circuit breakers for the power supply are turned on. In the event of a power failure, the appliance will lose its memory function and will reset to factory mode when the power returns.

5.1 main power button

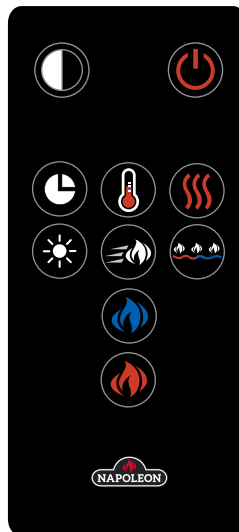
The main power button is located in the top right corner of the glass panel.

5.2 operating touch panel and remote control



touch panel

For illustrative purposes only. Touch panel may not always appear as illustrated.








remote control

note:






When only the **heat** is on (i.e. no flames, no ember bed lights, etc.), the display window will be dim and show H1 or the chosen temperature.

When only the **fan** is on (i.e. no flames, no ember bed lights, etc.), the display window will be dim and show FAN.

After the heater is turned off, the blower will continue running for 10 seconds. This helps to remove heat from the appliance and bring down its temperature.

Power		Turns appliance on and off.
Privacy Glass Control		Controls the privacy glass. Settings: G-1 - Half transparent mode (default) G-2 - Full transparent mode G-0 - No transparent mode Press and hold the button for 5 seconds to lock/unlock the privacy glass to G-0 status. When unlocked, the appliance will return to G-1 (default).
Orange Flame		Controls orange flame brightness. Settings: OF4 - Brightest flame OF3 - Bright flame OF2 - Dim flame OF1 - Dimmest flame OF0 - Flame off
Blue Flame		Controls blue flame brightness. Settings: BF4 - Brightest flame BF3 - Bright flame BF2 - Dim flame BF1 - Dimmest flame BF0 - Flame off
Ember Bed Brightness		Controls the brightness of the ember bed light. NOTE: If the ember bed colour is set to L16, the ember bed brightness setting cannot be changed. Settings: B-5 - Fade in and out B-4 - Brightest B-3 - Bright B-2 - Dim B-1 - Dimmest B-0 - Off

Continued on next page →

<p>Ember Bed Colour</p>		<p>Controls ember bed light settings.</p> <p>NOTE: Ember bed brightness must be between B-4 and B-1 to control ember bed colour.</p> <p>Settings: L01 - Orange L02 - Red L03 - Blue L04 - Yellow L05 - Green L06 - Purple L07 - Sky Blue L08 - Purple Red L09 - White L10 - Pink L11 - Yellow Green L12 - Ice Blue L13 - Orange Red L14 - Light Green L15 - Magenta L16 - Autocycle L17 - Lock a colour during L16 cycle</p>
<p>Flame Speed</p>		<p>Controls flame speed.</p> <p>Settings: S-3, S-4, S-5, S-1, S-2</p>
<p>Heater</p>		<p>Turns the heater and blower on/off.</p> <p>Settings: H-0 - Heater and blower off FAN - Blower on H-1 - Heater on (750W each side @ 120V / 1500W each side @ 240V) LOC - Lock-out of heater and thermostat</p> <p>NOTE: Child safety feature. Heater can be locked or unlocked by holding the button for 5 seconds. Heater and blower functions are disabled when it is locked. The "LO" will be displayed.</p> <p>NOTE: Each side of the appliance has an independent heater control.</p>
<p>Timer</p>		<p>Sets the timer.</p> <p>Settings: 30M, 1Hr, 2Hr, 3Hr, 4Hr, 5Hr, 6Hr, 7Hr, 8Hr.</p> <p>NOTE: The display will read "---" after completing the 9 timer settings.</p>
<p>Temperature Control</p>		<p>Sets desired temperature.</p> <p>Settings: 18°C (64°F), 19°C (66°F), 20°C (68°F), 21°C (70°F), 22°C (72°F), 23°C (74°F), 24°C (76°F), 25°C (78°), 26°C (80°F), 27°C (82°F), and OFF.</p> <p>To switch between °C and °F or vice versa, hold the temperature control button for 5 seconds.</p>

6.0 maintenance

6.1 cleaning

WARNING

- Always turn the heater off and unplug the power cord from the outlet before cleaning, performing maintenance, or moving this appliance. Failure to do so could result in electric shock, fire, or personal injury.
- Never immerse in water or spray with water. Doing so could result in electric shock, fire, or personal injury.

Metal:

- Buff using a soft cloth, slightly dampened with a citrus oil-based product.
- Do not use brass polish or household cleaners as these products will damage the metal trim.

Glass:

- Use a good quality cleaner sprayed onto the cloth or towel. Dry thoroughly with a paper towel or lint-free cloth.
- Never use abrasive cleaners, liquid sprays, or any cleaner that could scratch the surface.

Vents:

- Use a vacuum or duster to remove dust and dirt from the heater and vent areas.

Plastic:

- Wipe gently with a slightly damp cloth and a mild solution of dish soap and warm water.
- Never use abrasive cleaners, liquid sprays, or any cleaner that could scratch the surface.

6.2 remote battery installation

WARNING

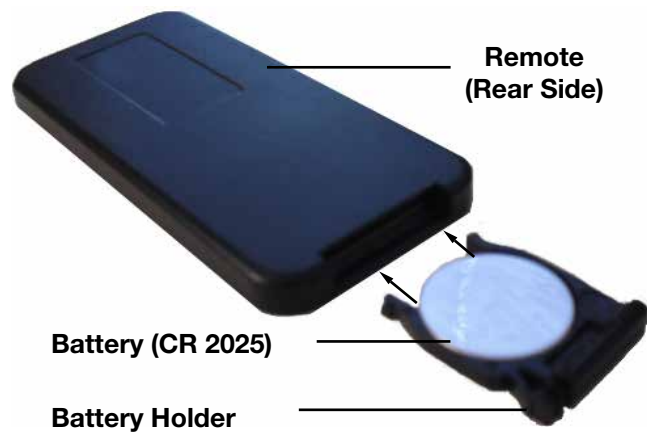
- This remote control requires button batteries that are hazardous to young children.
- **WARNING - KEEP BATTERIES OUT OF REACH OF CHILDREN!**
- Swallowing may lead to serious injury in as little as 2 hours or death, due to chemical burns and potential perforation of the oesophagus.
- If you suspect your child has swallowed or inserted a button battery, immediately seek urgent medical assistance.
- Examine devices and make sure the battery compartment is correctly secured (i.e. that the screw or other mechanical fastener is tightened). Do not use if compartment is not secure.
- Dispose of used button batteries immediately and safely. Flat batteries can still be dangerous.
- Tell others about the risk associated with button batteries and how to keep their children safe.



note:

The remote control has a removable plastic tab to prolong the battery life while shipping. Remove the tab for the remote control to function.

1. To replace the existing battery remove the battery holder.
2. To remove the battery holder turn remote onto rear side and press the left side lever towards the center while pulling the battery holder out using the slot provided.
3. Replace existing battery, type CR 2025, with a new battery and reinstall the battery holder into the remote by sliding it into position, as shown.



note:

The remote control must remain within 5 meters or 17 feet of the appliance to be effective. This range may be reduced when battery power is depleted. The remote control must be aimed at the bottom centre of the appliance for it to function most effectively.



Batteries must be disposed of according to the local laws and regulations. Some batteries may be recycled, and may be accepted for disposal at your local recycling center. Check with your municipality for recycling instructions.

7.0 replacement parts

WARNING

- Failure to position the parts in accordance with this manual or failure to use only parts specifically approved with this appliance may result in property damage or personal injury.

Contact your dealer for questions concerning prices and policies on replacement parts. Normally, all parts can be ordered through your Authorized dealer / distributor.

For warranty replacement parts, a photocopy of the original invoice will be required to honour the claim.

When ordering replacement parts always give the following information:

- Model & Serial Number of appliance
- Installation date of appliance
- Part number
- Description of part
- Finish

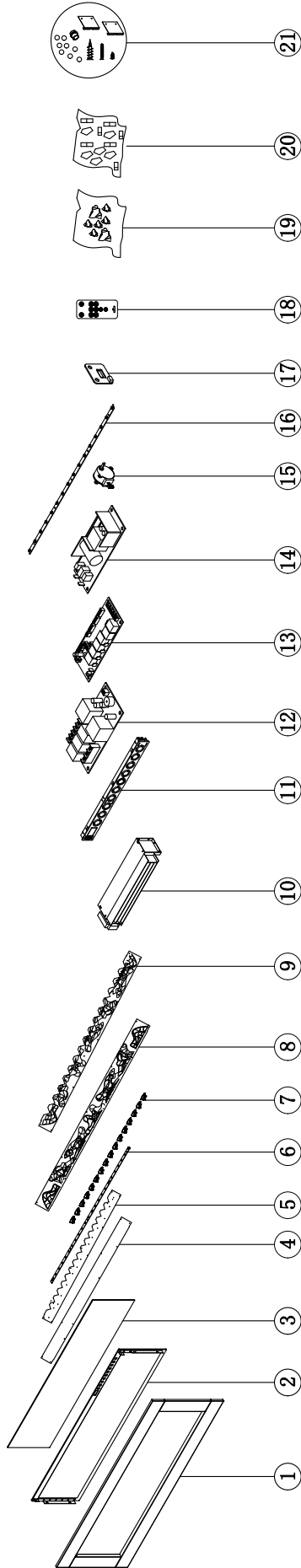
Parts, part numbers, and availability are subject to change without notice.

Parts identified as stocked will be delivered within 2 to 5 business days for most delivery destinations.

Parts not identified as stocked will be delivered within a 2 to 4 week period, for most cases.

Parts identified as 'SO' are special order and can take up to 90 days for delivery.

7.1 NEFBD50HE overview



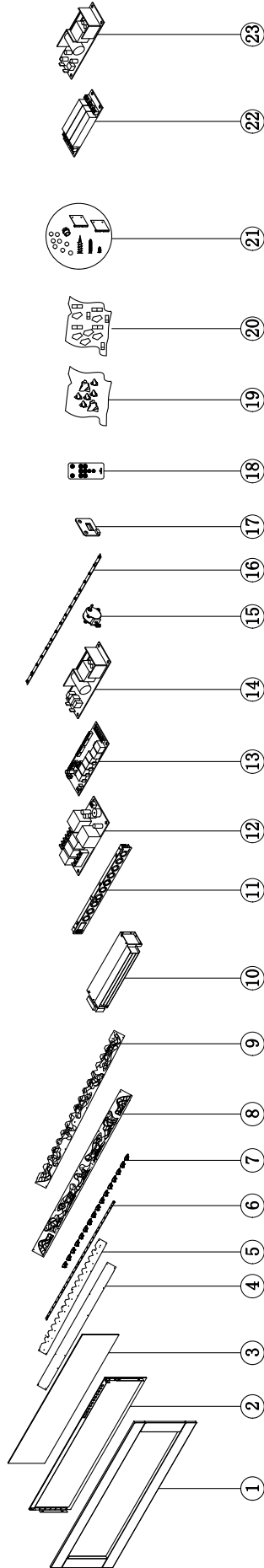
Items may not appear exactly as illustrated.

Ref. No.	Part No.	Qty.	Description	Stocked	Ref. No.	Part No.	Qty.	Description	Stocked
1	W715-1227-SER	2	Front trim, black	Yes	13	W190-0178-SER	1	Main PCB board	Yes
2	W300-0313-SER	2	Front glass	Yes	14	W190-0179-SER	1	Power driver for privacy glass	Yes
3	W300-0314-SER	1	Privacy glass	Yes	15	W435-0090-SER	1	Step motor	Yes
4	W497-1608-SER	1	Front, media tray holder	Yes	16	W405-0083-SER	1	LED light for flame	Yes
5	W497-1609-SER	1	Back, media tray holder	Yes	17	W690-0021	2	Thermostat	Yes
6	W405-0085-SER	2	LED ember bed light strip	Yes	18	W190-0181-SER	2	Remote control	Yes
7	W405-0084-SER	16	Triangular cover	Yes	19	W497-1610-SER	2	Acrylic crystals	Yes
8	W135-0936-SER	1	Front, log set assembly	Yes	20	W300-0315-SER	1	Topaz glass	Yes
9	W135-0937-SER	1	Back, log set assembly	Yes	21	W370-0191-SER	1	Hardware kits & wall mount bracket	Yes
10	W010-4656-SER	2	Heater and blower assembly	Yes	22 * **	W430-0023-SER	1	Magnetic buttons (x8)	Yes
11	W475-6144-SER	2	Touch-on control panel with receiver	Yes	23 *	W627-0042-SER	1	Reflector drum	Yes
12	W190-0180-SER	1	120V/240V wiring PCB board	Yes					

* Parts not illustrated.

** These magnetic buttons are for decorative purposes only. They are meant to be placed in the corners of the appliance surround (see "magnetic buttons" section for details).

7.2 NEFBD60HE overview



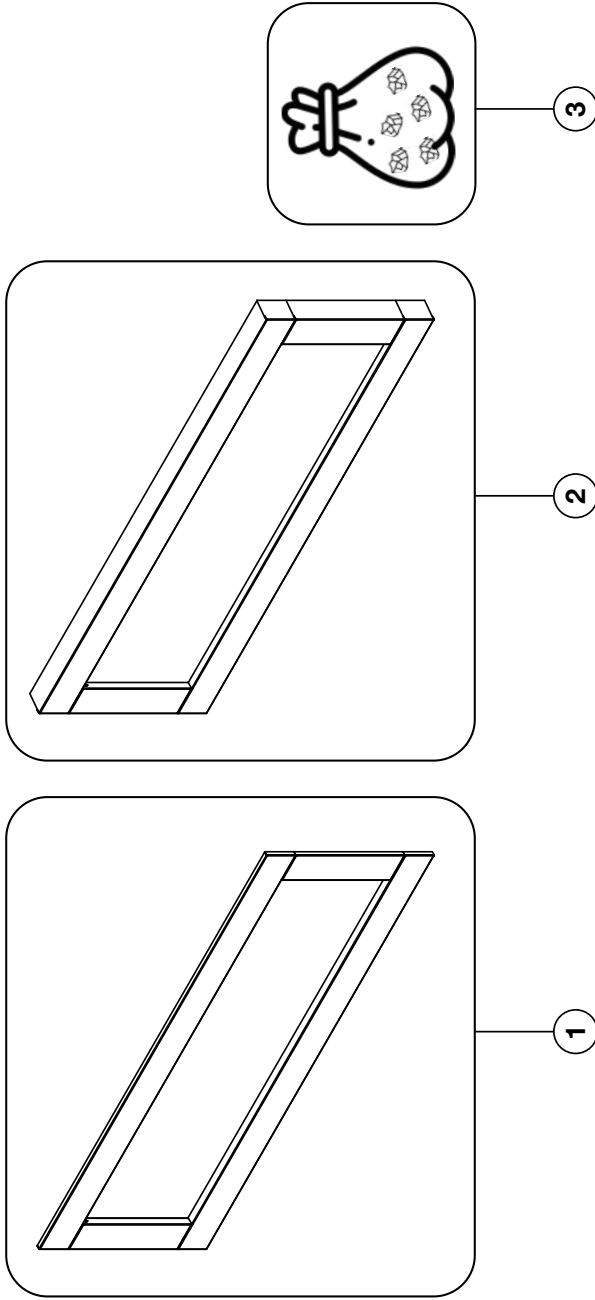
Items may not appear exactly as illustrated.

Ref. No.	Part No.	Qty.	Description	Stocked	Ref. No.	Part No.	Qty.	Description	Stocked
1	W715-1256-SER	2	Front trim, black	Yes	13	W190-0178-SER	1	Main PCB board	Yes
2	W300-0330-SER	2	Front glass	Yes	14	W190-0179-SER	1	Power driver for privacy glass	Yes
3	W300-0331-SER	1	Privacy glass	Yes	15	W435-0090-SER	1	Step motor	Yes
4	W497-1623-SER	1	Front, media tray holder	Yes	16	W405-0093-SER	1	LED light for flame	Yes
5	W497-1624-SER	1	Back, media tray holder	Yes	17	W690-0021	2	Thermostat	Yes
6	W405-0091-SER	2	LED ember bed light strip	Yes	18	W190-0181-SER	2	Remote control	Yes
7	W405-0092-SER	20	Triangular cover	Yes	19	W497-1625-SER	2	Acrylic crystals	Yes
8	W135-0992-SER	1	Front, log set assembly	Yes	20	W300-0332-SER	1	Topaz glass	Yes
9	W135-0993-SER	1	Back, log set assembly	Yes	21	W370-0191-SER	1	Hardware kits & wall mount bracket	Yes
10	W010-4656-SER	2	Heater and blower assembly	Yes	22	W190-0199-SER	1	Resistance board	Yes
11	W475-6144-SER	2	Touch-on control panel with receiver	Yes	23	W190-0200-SER	1	Power board 2	Yes
12	W190-0180-SER	1	120V/240V wiring PCB board	Yes	24 * **	W430-0023-SER	1	Magnetic buttons (x8)	Yes
					25 *	W527-0043-SER	1	Reflector drum	Yes

* Parts not illustrated.

** These magnetic buttons are for decorative purposes only. They are meant to be placed in the corners of the appliance surround (see "magnetic buttons" section for details).

8.1 NEFBD50HE accessories



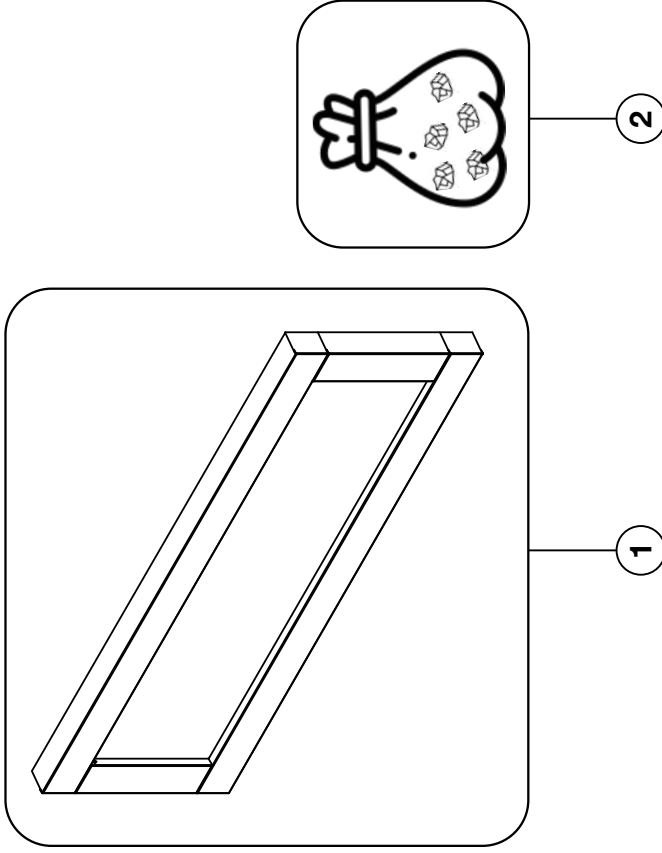
Items may not appear exactly as illustrated.

Ref. No.	Part No.	Description	Stocked
1	NEFBD50HE-SS-TRIM	Stainless steel trim (x2)	Yes
2 *	NEFBD50HE-SS-DTRM	Stainless steel deep trim (x2)	Yes
2 *	NEFBD50HE-DTRM	Black deep trim (x2)	Yes
3 **	W497-0067-SER	Bag of crystals, large	Yes

* For use with 4 1/2" (114mm) thick walls. For more information, see "framing" section.

** 5 crystals per bag. This appliance requires 2 bags.

8.2 NEFBD60HE accessories



Items may not appear exactly as illustrated.

Ref. No.	Part No.	Description	Stocked
1 *	NEFBD60HE-SS-DTRM	Stainless steel deep trim (x2)	Yes
1 *	NEFBD60HE-DTRM	Black deep trim (x2)	Yes
2 **	W497-1626-SER	Bag of crystals, large	Yes

* For use with 4 1/2" (114mm) thick walls. For more information, see "framing" section.

** 6 crystals per bag. This appliance requires 2 bags.

WARNING

- Turn off the appliance completely and let cool before servicing. Only a qualified service person should service and repair this electric appliance.

symptom	problem	solution
Appliance will not come on when power button/switch is put into the "on" position.	House circuit breaker has tripped.	Reset house circuit breaker.
	Hard-wire connections are not correct (if applicable).	See "hard-wiring installation" section.
	Appliance has overheated and safety thermal switch has tripped.	Unplug power or turn off the circuit breaker, allow appliance to cool for 15 minutes, then plug in the appliance or turn the breaker on.
	Main PCB board issue.	Inspect the circuit board and replace, if necessary.
Appliance turns off and will not turn on.	House circuit breaker has tripped.	Reset house circuit breaker.
	Appliance's fuse has blown.	Replace the fuse.
	Appliance has overheated and safety thermal switch has tripped.	Unplug power or turn off the circuit breaker, allow appliance to cool for 15 minutes to reset the thermal switch, then plug in the appliance or turn the breaker on.
Appliance has returned to default settings.	Power failure.	Re-program appliance to original settings (not applicable with all appliances).
Remote control does not work.	Low/dead batteries.	Replace batteries in remote control.
	Remote receiver malfunction.	Ensure remote receiver is not blocked. Replace control panel.
No warm air coming out of the appliance.	Heater setting not selected.	See "operation" section.
	Heater has been locked out.	See "operation" section.
	Room temperature is higher than appliance setting (if set to room temperature).	Reset temperature setting.
	Appliance has overheated and safety thermal switch has tripped.	Unplug power or turn off the circuit breaker. Allow for appliance to cool for 15 minutes.
	Hard-wire connections are not correct (if applicable).	See "hard-wiring installation" section.
	Heater issue.	Inspect the blower and heater and replace, if necessary.
Heater shuts off automatically.	Room is too warm.	The heater has a built-in thermostat so it will shut off automatically once the pre-set temperature is reached. It will also turn on automatically if the room temperature drops below the pre-set temperature.
Dim or no flame.	Flame brightness not selected.	See "operation" section.
	Flame LEDs issue.	Inspect the LED and replace, if necessary.
	Main PCB board issue.	Inspect the main PCB board and replace, if necessary.
Flame does not move.	Motor is stalled/malfunctioning.	Cycle on/off. If problem persists, consult dealer.

symptom	problem	solution
Ember bed is not glowing or dimming.	Brightness not selected.	See "operation" section.
	Ember LED issue.	Inspect the ember bed LEDs and replace, if necessary.
	Main PCB board issue.	Inspect the main PCB board and replace, if necessary.
LED flashing "OH".	Appliance has overheated and safety thermal switch has tripped.	Unplug power or turn off the circuit breaker. Allow appliance to cool for 15 minutes, then plug in the appliance or turn the breaker on. If problem persists, consults your dealer.
Alarm sounding when hooked up to 240V.	Hard wire installation not correct.	See "hard-wiring" section.

Napoleon electric appliances are manufactured under the strict Standard of the world recognized ISO 9001 : 2015 Quality Management System.

Napoleon products are designed with superior components and materials and assembled by trained craftsmen who take great pride in their work. Once assembled, the complete appliance is thoroughly inspected by a qualified and authorized installer, service agency, or supplier before packing to ensure that you, the customer, receive the quality product that you expect from **Napoleon**.

Napoleon Electric Appliance Premium Warranty

Electrical components and wearable parts are covered and **Napoleon** will provide replacement parts free of charge during the first 2 years of premium warranty. This covers: fan/heaters, motors, switches, nylon bearing components, remote controls, and LED lights.*

Light bulbs and fuses are **NOT** covered by the warranty.

In the first year only, any labour related to warranty repair is covered.

* Construction of models vary. Warranty applies only to components included with your specific appliance.

Conditions and Limitations

Napoleon warrants its products against manufacturing defects to the original purchaser only. Registering your warranty is not necessary. Simply provide your proof of purchase along with the model and serial number to make a warranty claim. Provided that the purchase was made through an authorized **Napoleon** dealer, your appliance is subject to the following conditions and limitations:

Warranty coverage begins on the date of original installation.

This factory warranty is non-transferable and may not be extended whatsoever by any of our representatives.

Installation must be done in accordance with the installation instructions included with the product and all local and national building and fire codes.

This premium warranty does not cover damages caused by misuse, lack of maintenance, accident, alterations, abuse, or neglect and parts installed from other manufacturers will nullify this warranty.

This premium warranty further does not cover any scratches, dents, corrosion, or discolouring caused by excessive heat, abrasive and chemical cleaners, nor chipping on porcelain enamel parts, mechanical breakage of PHAZER™ logs.

In the first 2 years only, this warranty extends to the repair or replacement of warranted parts which are defective in material or workmanship, provided that the product has been operated in accordance with the operation instructions and under normal conditions.

After the first year, **Napoleon** will not be responsible for installation, labour, or any other expenses related to the reinstallation of a warranted part, and such expenses are not covered by this warranty. Notwithstanding any provisions contained in the Premium Warranty, **Napoleon** responsibility under this warranty is defined as above, and it shall not in any event extend to any incidental, consequential, or indirect damages.

This warranty defines the obligations and liability of **Napoleon** with respect to the **Napoleon** electric appliance and any other warranties expressed or implied with respect to this product; its components or accessories are excluded.

Napoleon neither assumes, nor authorizes any third party to assume, on its behalf, any other liabilities with respect to the sale of this product.

Any damages to appliance, brass trim or other component due to water, weather damage, long periods of dampness, condensation, damaging chemicals, or cleaners will not be the responsibility of **Napoleon**.

Napoleon reserves the right to have its representative inspect any product or part thereof prior to honouring any warranty claim.

All parts replaced under the Premium Warranty Policy are subject to a single claim.

All parts replaced under the warranty will be covered for a period of 90 days from the date of their installation.

The manufacturer may require that defective parts or products be returned or that digital pictures be provided to support the claim. Returned products are to be shipped prepaid to the manufacturer for investigation. If a product is found to be defective, the manufacturer will repair or replace such defect.

Before shipping your appliance or defective components, your dealer must obtain an authorization number. Any merchandise shipped without authorization will be refused and returned to sender.

Shipping costs are not covered under this warranty.

Additional service fees may apply if you are seeking warranty service from a dealer.

All specifications and designs are subject to change without prior notice due to on-going product improvements. **Napoleon** is a registered trademark of Wolf Steel Ltd.

NAPOLEON CELEBRATING OVER 40 YEARS OF HOME COMFORT PRODUCTS



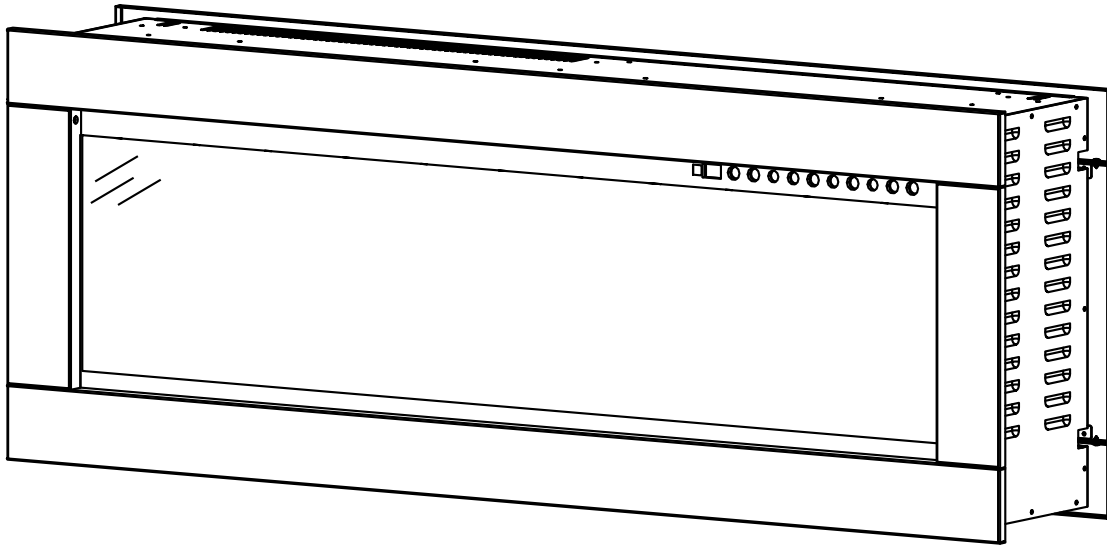
7200, Route Transcanadienne, Montréal, Québec H4T 1A3
24 Napoleon Road, Barrie, Ontario, Canada L4M 0G8
214 Bayview Drive, Barrie, Ontario, Canada L4N 4Y8
103 Miller Drive, Crittenden, Kentucky, USA 41030
De Riemsdijk 22, 4004 LC Tiel, The Netherlands

Phone: 1-866-820-8686
napoleon.com



MANUEL D'INSTALLATION ET D'OPÉRATION

CLEARion^{MD} Elite
(NEFBD50HE Illustré)



CONSIGNES DE SÉCURITÉ

AVERTISSEMENT

RISQUE D'INCENDIE OU D'EXPLOSION

Si ces instructions ne sont pas suivies à la lettre, un incendie pourrait s'ensuivre causant des dommages matériels, des blessures corporelles ou des pertes de vie.

- N'entreposez pas et n'utilisez pas d'essence ou autres liquides et vapeurs inflammables à proximité de cet appareil ou tout autre appareil.

INSTALLATEUR:

Laissez ce manuel avec l'appareil

PROPRIÉTAIRE:

Conservez ce manuel pour consultation ultérieure.



Cet appareil dispose d'une télécommande qui nécessite des piles à bouton qui sont dangereuses pour les jeunes enfants.

POUR L'UTILISATION INTÉRIEUR SEULEMENT

**CERTIFIÉ SELON LES NORMES NATIONALES CANADIENNES ET AMÉRICAINES:
CSA C22.2 NO. 46 / UL 2021**



Wolf Steel Ltd., 24 Napoleon Rd., Barrie, ON, L4M 0G8 Canada / 103 Miller Drive, Crittenden, Kentucky, USA, 41030
Téléphone 1 (866) 826 8686 • www.napoleon.com • hearth@napoleon.com

AVERTISSEMENT

- **Si équipé avec un chauffage, cet appareil peut être chaud lorsqu'il fonctionne et peut causer de graves brûlures en cas de contact.**
- Ne faites pas fonctionner l'appareil avant d'avoir lu et compris les instructions d'utilisation. L'incapacité de respecter les instructions pourrait causer un incendie ou des blessures corporelles.
- N'installez pas de composants endommagés ou incomplets, ni des composants de substitution.
- Ne brûlez pas de bois ou autres matériaux dans cet appareil.
- Tous les appareils électriques contiennent des composants internes qui deviennent chauds et qui produisent des étincelles. N'utilisez pas cet appareil dans des endroits où de l'essence, des peintures ou d'autres liquides inflammables sont présents.
- Les grillages de sécurités ou écrans enlevés pour faire l'entretien devront être remis en place avant d'utiliser l'appareil.
- Il est primordial de garder propres les compartiments de contrôle, les brûleurs, la soufflerie, les bouches d'air de l'appareil ainsi que le système d'évacuation. L'appareil et son système d'évacuation doivent être inspectés avant la première utilisation et au moins une fois l'an par un spécialiste en entretien. Un entretien plus fréquent pourrait être nécessaire en raison des peluches provenant des tapis, literie, etc. L'emplacement de l'appareil doit être gardé libre de tous matériaux combustibles, essence ou autres liquides et vapeurs inflammables.
- Cet appareil ne devra être modifié en aucun cas.
- N'utilisez pas cet appareil si une partie quelconque a été submergée. Contactez immédiatement un technicien de service qualifié pour inspecter l'appareil et pour remplacer toute pièce du système de contrôle qui aurait été submergée.
- Si équipé avec une porte vitrée, n'opérer pas l'appareil lorsque la porte vitrée est enlevée, fissurée ou brisée. Le remplacement de la vitre devra être effectué par un technicien de service certifié ou qualifié.
- Si équipé avec un porte vitrée, ne frappez pas et ne claquez pas la porte vitrée de l'appareil.
- Les matériaux d'emballage doivent être gardés hors de la portée des enfants et mis au rebut de façon sécuritaire. Comme tous les emballages de plastique, ceux-ci ne sont pas des jouets et doivent demeurer hors de la portée des enfants et des bébés.
- L'entretien ne doit être effectué que lorsque l'appareil est débranché du circuit électrique.
- N'utilisez pas l'appareil si le cordon d'alimentation ou la fiche sont endommagés, s'il ne fonctionne pas bien, ou s'il a été échappé ou endommagé d'une quelconque façon. Retournez l'appareil à un centre de service autorisé pour une inspection, des ajustements électriques ou mécaniques ou une réparation.
- N'utilisez pas cet appareil à l'extérieur.
- Lorsque vous installez cet appareil dans une pièce où l'eau est présente, l'installation doit se conformer aux codes reconnaissant le risque accru de décharge électrique et d'électrocution.

note:

Cet appareil NE PEUT PAS être installé dans une salle de bain.

- Connectez à un circuit mis à la terre correctement.
- N'insérez pas d'objets dans les ouvertures d'entrée d'air ou de sortie d'air puisque cela risque d'endommager l'appareil ou causer des chocs électriques ou un incendie.
- Il est normal que votre appareil électrique produise du bruit, surtout s'il est installé dans un endroit calme comme un chambre à coucher.

! AVERTISSEMENT

- Pour prévenir les risques d'incendie, ne bloquez pas les entrées d'air et les sorties d'air de quelque manière que ce soit. Ne placez pas cet appareil sur une surface molle telle qu'un tapis où les ouvertures pourraient se bloquer.
- Cet appareil a été testé et homologué pour usage avec les accessoires optionnels listés dans ce manuel uniquement. L'utilisation d'accessoires optionnels qui n'ont pas été spécifiquement testés pour cet appareil électrique annulera la garantie de l'appareil et/ou présentera des risques pour la sécurité.

Pour les appareil équipé avec chauffage:

- Risque de brûlures. L'appareil doit être éteint et refroidi avant d'effectuer l'entretien. Pour débrancher l'appareil, mettez d'abord les boutons de contrôle à « OFF » puis retirez la fiche de la prise de courant.
- Les jeunes enfants doivent être supervisés attentivement lorsqu'ils sont dans la même pièce que l'appareil recommandés s'il y a dans la maison des individus à risque. Les jeunes enfants et autres personnes sont sujets aux brûlures accidentelles. Une barrière de protection est recommandée s'il y a dans la maison des individus à risque. Afin de restreindre l'accès à l'appareil, installez une barrière de protection ajustable pour garder les jeunes enfants ou autres personnes à risque hors de la pièce et loin des surfaces chaudes.
- Les vêtements et autres matériaux combustibles ne doivent pas être posés sur l'appareil ou à proximité.
- En raison des températures élevées, l'appareil devrait être placé loin des endroits passants et loin des meubles et des rideaux.
- Assurez-vous de disposer de mesures de sécurité adéquates pour empêcher les jeunes enfants de toucher aux surfaces chaudes.
- Même lorsque l'appareil est éteint, la porte et l'écran demeureront chauds pendant un bon moment.
- Consultez votre détaillant local de foyer pour connaître les grillages de sécurité et les écrans offerts pour protéger les enfants des surfaces chaudes. Ces grillages de sécurité et ces écrans doivent être fixés au plancher.
- Assurez-vous de respecter les dégagements aux matériaux combustibles lorsque vous installez un manteau ou des tablettes au-dessus de l'appareil. Les téléviseurs et autres composants électroniques soumis à des températures élevées peuvent fondre, se déformer, se décolorer et entraîner des défaillances prématurées de ces appareils.

! AVERTISSEMENT: Ce produit peut vous exposer à des substances chimiques incluant le plomb et les composés de plomb qui, selon l'État de Californie, causeraient le cancer, et des substances chimiques incluant le BBP et DEHP qui, selon d'État de Californie, causeraient des malformations congénitales ou autres dangers pour la reproduction. Pour de plus amples renseignements, visitez le www.P65Warnings.ca.gov.

table de matières

FR

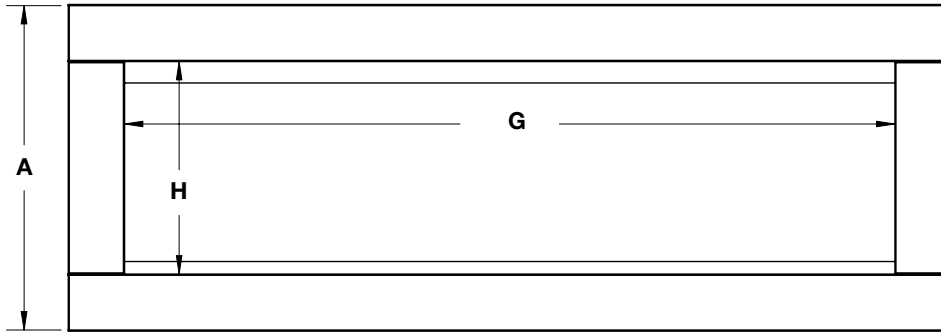
1.0	information générale	39
1.1	dimensions	39
1.2	homologations	40
1.3	instructions générales	40
1.4	liste de pièces	40
1.5	déballage de l'appareil	41
1.6	information à propos de la plaque d'homologation	41
1.7	emplacement des étiquettes	42
1.8	boutons magnétiques	42
2.0	installation	43
2.1	emplacement de l'appareil	43
2.2	mise à terre de l'appareil	44
2.3	dégagements minimaux aux combustibles	44
2.4	dégagements minimaux de la tablette	44
2.5	ossature	45
2.6	installation de l'appareil	46
3.0	information électrique	48
3.1	schéma de câblage NEFBD50HE	48
3.2	schéma de câblage NEFBD60HE	49
3.3	installation de branchement par câble	50
3.4	branchement par câble 120V	51
3.5	branchement par câble 240V	52
4.0	finitions	53
4.1	enlèvement / installation de garniture avant	53
4.2	enlèvement / installation de verre avant	53
4.3	installation de média	54
4.3.1	ensemble de bûches et installation de verre topaz	54
4.3.2	installation de cristaux acrylique	54
5.0	instructions de fonctionnement	55
5.1	bouton d'alimentation principal	55
5.2	utilisation de panneau tactile et télécommande	55
6.0	entretien	58
6.1	nettoyage	58
6.2	installation des piles de la télécommande	59
7.0	pièces de rechange	60
7.1	vue d'ensemble de NEFBD50HE	61
7.2	vue d'ensemble de NEFBD60HE	62
8.0	accessoires	63
8.1	accessoires de NEFBD50HE	63
8.2	accessoires de NEFBD60HE	64
9.0	guide de dépannage	65
10.0	garantie	67

note:

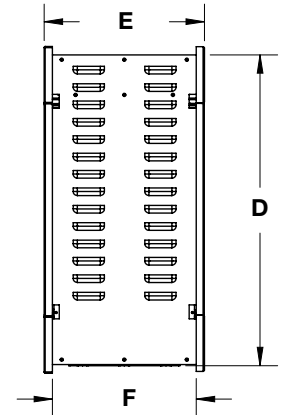
L'information contenue dans ce manuel est jugée correcte au moment de l'impression. Wolf Steel Ltée. se réserve le droit de modifier ou de modifier toute information contenue dans ce manuel à tout moment sans préavis. Les modifications, autre que les éditoriaux, sont désignées par une ligne verticale dans la marge.

1.1 dimensions

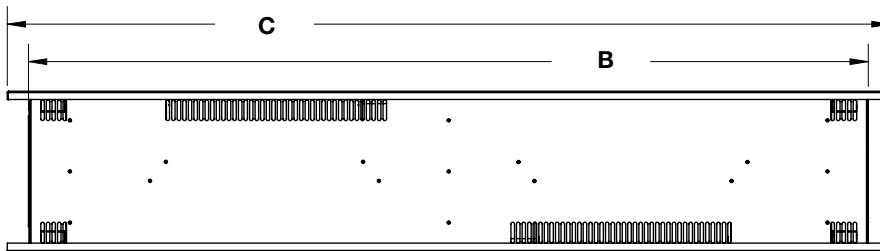
vue de face



vue de côté droite



vue de dessus



	A	B	C	D	E	F	G	H
NEFBD50HE	18 3/8" (467mm)	47 9/16" (1208mm)	50" (1270mm)	17 5/8" (447mm)	9 1/16" (231mm)	8 1/8" (207mm)	43 5/8" (1108mm)	12 1/16" (306mm)
NEFBD60HE	20 7/16" (518mm)	57 1/2" (1461mm)	60" (1524mm)	19 5/8" (498mm)	9 3/16" (234)	8 3/16" (208)	53 1/2" (1359mm)	14" (356mm)

information générale

FR

1.2 homologations

Cet appareil a été testé selon les normes CSA pour les appareils électriques installés de façon permanentes aux États-Unis et au Canada. Si vous avez besoin d'assistance durant l'installation, veuillez contacter votre détaillant local.

	NEFBD50HE	NEFBD60HE
Description	Appareil Électrique Voir à Travers	
Type	Appareil Électrique	
Tension	120V AC / 240V AC	
Puissance	MAX 1500W / 3000W	
Ampères	15 AMP circuit mis à la terre dédié	
Poids Net	101,4 lbs (46kg)	130 lbs (59kg)
Poids Brut	131,2 lbs (59,5kg)	176,4 lbs (80kg)

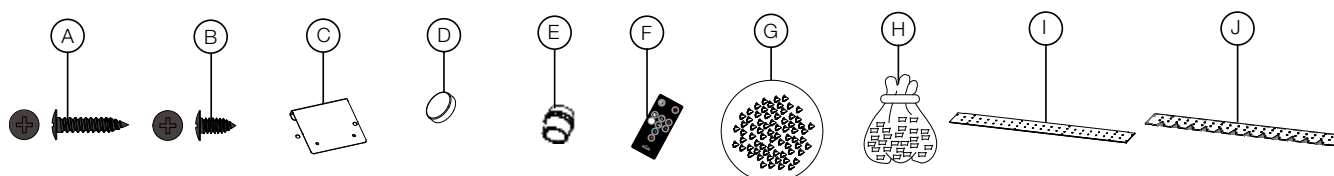
1.3 instructions générales

- Il est possible que l'appareil dégage une légère odeur inoffensive lors de la première utilisation. Cela est une condition normale causée par le chauffage initial des éléments de l'appareil. Elle ne se reproduira plus.
- Si votre appareil n'émet pas de chaleur lorsqu'il est sollicité, consultez la section « fonctionnement » de ce manuel pour de plus amples renseignements.
- Utilisez avec un limiteur de surtension certifié CSA ou UL.

Cet appareil électrique répond aux normes de construction et de sécurité du H.U.D. pour des applications dans des maisons préfabriquées lorsque installé selon ces instructions.

Comme avec la plupart des appareils électroniques, votre nouveau appareil électrique a été conçu pour fonctionner à des températures comprises entre 5°C (41°F) et 35°C (95°F). Pendant les mois froids de l'hiver, la cheminée permet d'atteindre la température ambiante avant de l'allumer.

1.4 liste de pièces

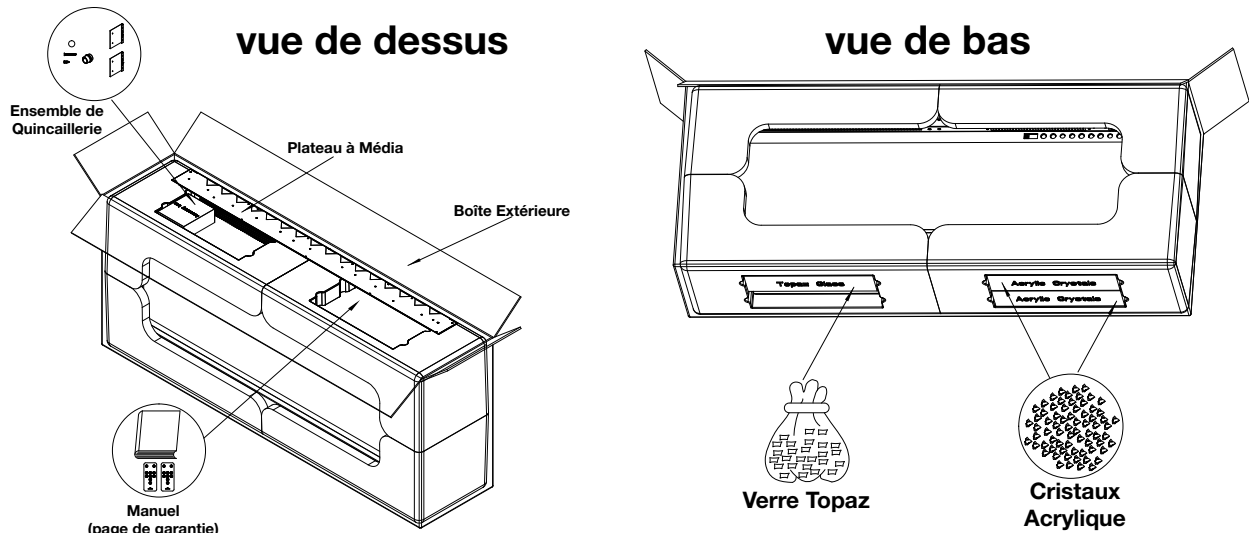


Réf.	Description	Quantité	
		NEFBD50HE	NEFBD60HE
A	Vis Métalliques (Noir)	4	
B	Vis Métalliques (Noir)	12	
C	Support de Montage	2	
D	Bouton Magnétique	8	
E	Soulagement de Traction	1	
F	Télécommande	2	
G	Cristaux Acryliques	3,5 lbs (1,6kg)	4,4 lbs (2kg)
H	Verre Topaz	3 lbs (1,4kg)	4 lbs (1,8kg)
I	Support de Média (Avant)	1	
J	Support de Média (Arrière)	1	

1.5 déballage de l'appareil

⚠ AVERTISSEMENT

- Assurez-vous de soigneusement retirer l'appareil de la boîte.



note:

L'appareil est livré avec un panneau de fibre de densité moyenne (panneau MDF) installé sur les côtés. Voir la section « installation de l'appareil » pour plus de détails à propos de l'enlèvement.

1.6 information à propos de la plaque d'homologation

CERTIFIED UNDER CANADIAN AND AMERICAN NATIONAL STANDARD: CSA 22.2 NO. 46 AND UL 2021 / HOMOLOGUÉ SELON LES NORMES NATIONALES CANADIENNES ET AMÉRICAINES: CSA 22.2 NO. 46 ET UL 2021

ELECTRIC FIREPLACE. SUITABLE FOR BEDROOM AND BED-SITTING ROOM INSTALLATION. SUITABLE FOR MOBILE HOME INSTALLATION.

FOYER À ÉLECTRIQUE. HOMOLOGUÉ POUR INSTALLATION DANS UNE CHAMBRE À COUCHER, UNE SALLE DE BAIN ET UN STUDIO. APPROPRIÉ POUR INSTALLATION DANS UNE MAISON MOBILE.

MASTER CONTRACT: 161746 **CONTRACT-CADRE: 161746**
 NEFBD50HE **MODEL** CEFBD50HE

VOLTAGE: 120/240 V **TENSION: 120/240 V**
FREQUENCY: 60Hz **FRÉQUENCE: 60Hz**
POWER: 1500W/3000W **PUISSANCE: 1500W/3000W**
DATE CODE: **CODE DE DATE:**

DESIGNED IN NORTH AMERICA BY WOLF STEEL LTD. DÉSIGNÉ AMÉRIQUE DU NORD PAR WOLF STEEL LTD.
 MADE IN CHINA FABRIQUE EN CHINE

WOLF STEEL LTD.
 24 NAPOLEON ROAD,
 BARRIE, ON, L4M 0G8 CANADA

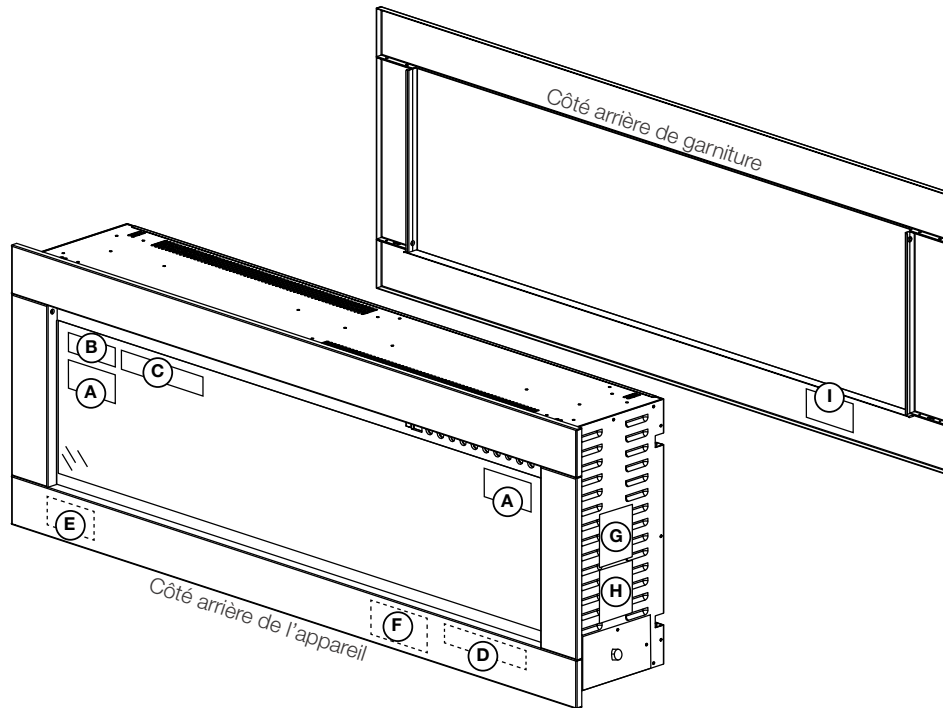
SERIAL NUMBER/NO. DE SERIE: NEFBD50HE W385-2408

Cette illustration est à titre d'illustration seulement. Consultez la plaque d'homologation pour obtenir l'information précise.

note:

La plaque d'homologation doit rester avec l'appareil à tout instant. Elle ne doit pas être enlevée.

1.7 emplacement des étiquettes



Réf.	No. de Pièce	Description
A*	W385-2235	Étiquette de Casier
B*	W385-2210	« Ne Pas Couvrir »
C*	W385-2017	« Surface Chaude »
D**	W385-2163	Avertissement
E**	W385-2408	Plaque d'Homologation de NEFBD50HE
	W385-2469	Plaque d'Homologation de NEFBD60HE
F**	W385-2167	Avertissement
G	W385-4513	Branchement par Câble 120V
H	W385-4514	Branchement par Câble 240V
I***	W385-4515	NEFBD50HE Schéma de Câblage
	W385-2477	NEFBD60HE Schéma de Câblage

note:

L'emplacement des étiquettes peut différer quelque peu de l'illustration.

* Les étiquettes sont situées sur les côtés avant et arrière du verre.

** L'étiquette située à l'arrière de la garniture sur les côtés avant et arrière de l'appareil.

*** Les étiquettes sont situées sur le côté arrière de la garniture.

1.8 boutons magnétiques

Votre appareil est équipé avec les boutons magnétique (voir la section « liste de pièces » et « pièces de rechange » pour les détails).

Les boutons sont optionnels et sont à des fins décoratives seulement.

Si en utilisant, placez les boutons magnétiques sur les quatre coins de la façade de l'appareil (**Fig. 1-1**). Évitez de les faire glisser car cela peut rayer la surface peinte.

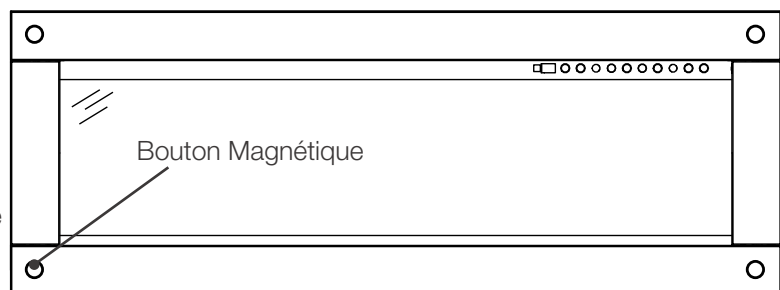


Fig. 1-1

! AVERTISSEMENT

- Risque d'incendie! Le cordon d'alimentation ne doit pas être coincé contre une arrête vive. Fixez le cordon pour éviter les chutes ou les accrochages afin de réduire le risque d'incendie, de choc électrique ou de blessures corporelles. Ne passez pas le cordon d'alimentation sous un tapis. Ne recouvrez pas le cordon avec des carpettes, des tapis de couloir ou autres revêtements similaires. Évitez de placer le cordon dans un endroit passant ou à un endroit où il risque de causer des chutes.
- Risque d'incendie! Pour prévenir les risques d'incendie, ne bloquez pas les entrées d'air et les sorties d'air de quelque manière que ce soit. Ne placez pas cet appareil sur une surface molle où les ouvertures pourraient se bloquer.
- Risque d'incendie! Ne soufflez pas ou ne placez pas d'isolant contre l'appareil.
- Cet appareil électrique a été testé et homologué pour usage avec les accessoires optionnels listés dans ce manuel uniquement. L'utilisation d'accessoires optionnels qui n'ont pas été spécifiquement testés pour cet appareil électrique annulera la garantie de l'appareil et/ou présentera des risques pour la sécurité.
- Si ces instructions ne sont pas suivies à la lettre, un incendie ou une explosion pourraient s'ensuivre, causant des dommages matériels, des blessures corporelles ou des pertes de vie. N'entrez pas et n'utilisez pas d'essence ou autres vapeurs inflammables à proximité de cet appareil ou tout autre appareil.
- Étant donné la lourdeur de cet appareil, il est recommandé que deux personnes en fassent l'installation.
- Si votre appareil est équipé avec chauffage, assurez-vous que les ouvertures de la chauffage ne peut pas, dans aucune façon, être recouverts car il peut provoquer un incendie.
- N'exécutez pas le cordon d'alimentation horizontalement, directement en dessous de l'appareil.

Votre appareil électrique est transparent et installé dans un mur. Sélectionnez un endroit approprié qui ne soit pas susceptible d'être humide et qu'il soit éloigné des rideaux, des meubles, et des zones à fort trafic.

note:

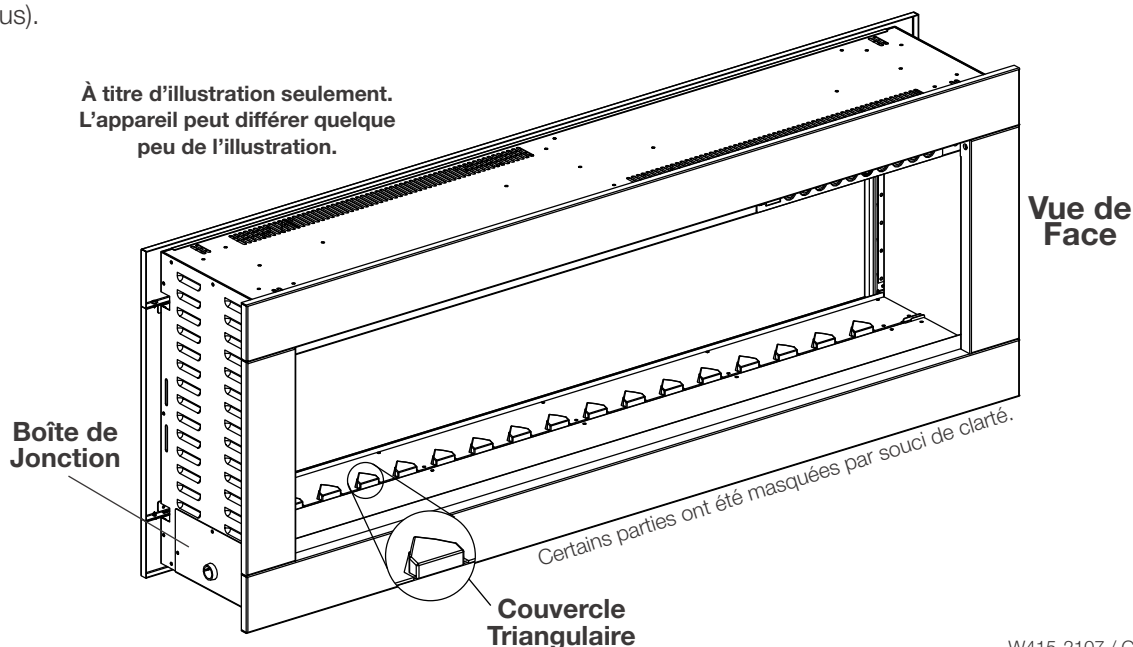
Suivez tous les codes électriques nationaux et locaux.

2.1 emplacement de l'appareil

! AVERTISSEMENT

- En raison des températures élevées, cet appareil électrique doit être situé hors de circulation. Conservez des matériaux combustibles tels que des meubles, des coussins, des litières, des papiers, des vêtements, et des rideaux à au moins 36" (91,4cm) de l'avant de l'appareil.
- Ne placez jamais cet appareil électrique là où il peut tomber dans une baignoire ou au autre contenant de l'eau.
- Portez des gants de sécurité et des lunettes de sécurité pour la protection pendant l'installation et l'entretien.
- Pour éviter tout contact avec une isolation affaissé ou perdue, l'appareil électrique ne doit pas être installé contre un pare-vapeur ou un isolant exposé. Une surchauffage localisée pourrait se produire et un incendie pourrait en résulter.
- N'exposez pas l'appareil électrique aux éléments (c.à.d. la pluie, la neige, etc.).

Pour déterminer l'avant de l'appareil, assurez-vous que la boîte de jonction est située sur le côté gauche de l'appareil et que les couvercles triangulaires sont situés sur le côté opposé de la chambre de combustion (voir ci-dessous).



installation

FR

2.2 mise à terre de l'appareil

! AVERTISSEMENT

- Cet appareil est pour utilisation avec 120V et 240V.
- Une prise de courant électrique mise à la terre est **obligatoire** avec cet appareil.
- Cet appareil doit être connecté à un circuit de 15 ampères. L'utilisation d'un cordon d'extension **N'EST PAS** autorisée.

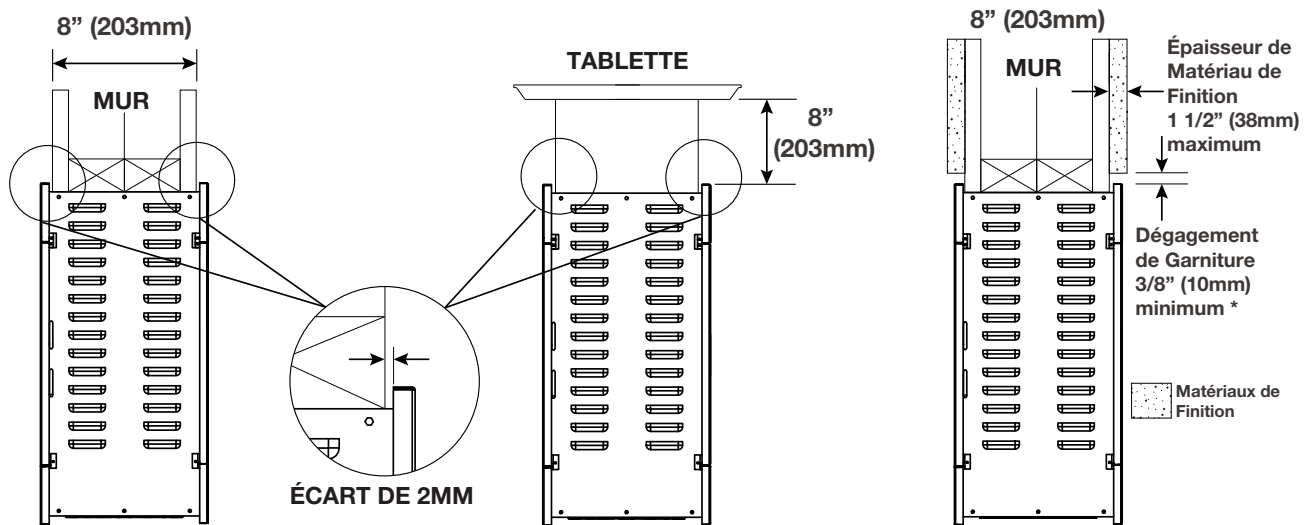
2.3 dégagements minimaux aux combustibles

Les mesures sont prises de la garniture avant	
Bas	0"
Côtés	0"
Avant / Arrière	36" (914mm)
Tablette	8" (203mm)

2.4 dégagements minimaux de la tablette

! AVERTISSEMENT

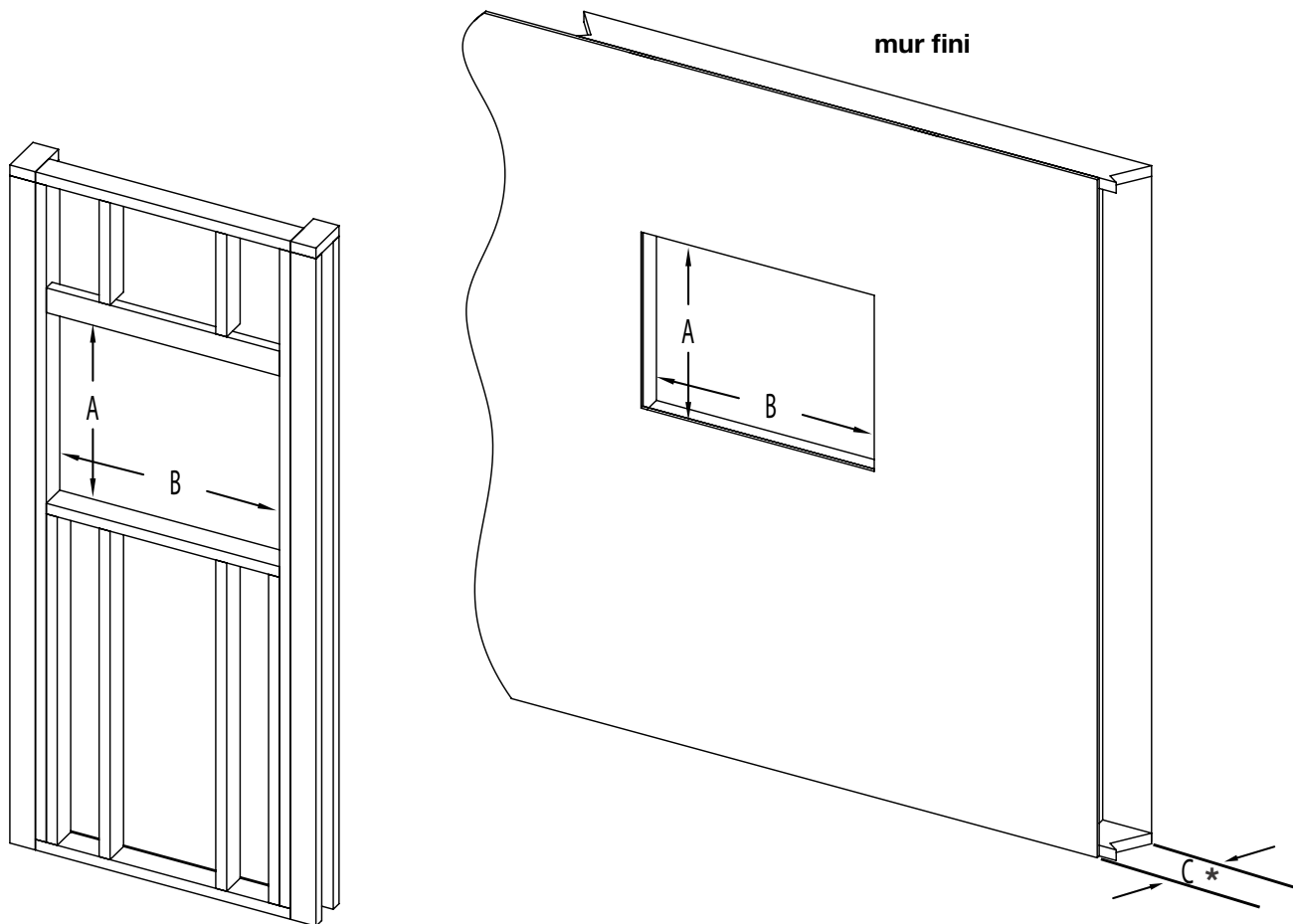
- Lors de l'utilisation de peinture ou de laque pour finir la tablette, la peinture ou la laque doit être résistante à la chaleur pour éviter la décoloration.



note:

* Si les matériaux de finitions sont installés au dessus du mur existante de 8" (203mm), un dégagement de 3/8" (10mm) doit être maintenu au dessus de la garniture afin de réviser l'appareil.

2.5 ossature



	NEFBD50HE	NEFBD60HE
A	17 15/16" (456mm)	19 15/16 (506mm)
B	49" (1245mm)	59" (1497mm)
C	8" (203mm) max.	
	4 1/2" (114mm) ** min	

important:

* Cette mesure comprend l'épaisseur de matériau de finition.

** Accessoire de garniture profonde disponible pour cet épaisseur de mur (voir la section « accessoires »).

installation

FR

2.6 installation de l'appareil

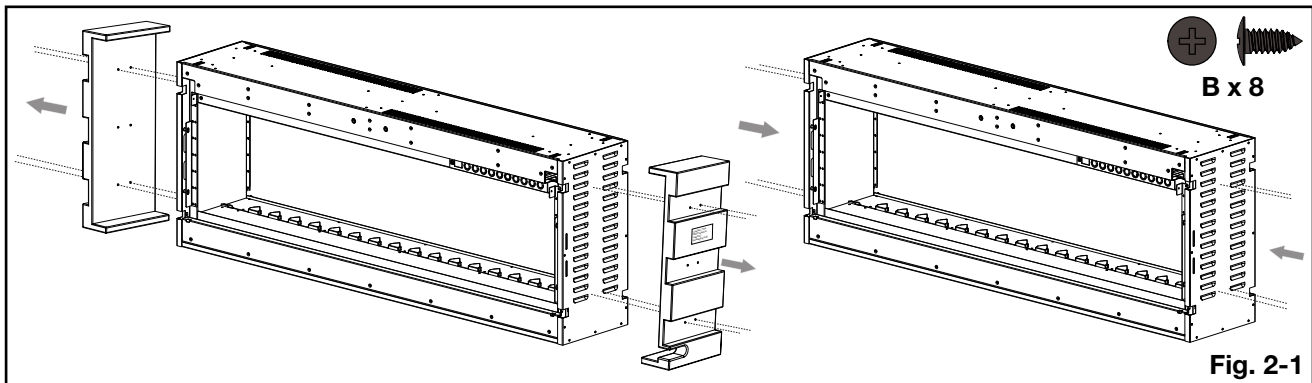
note:

Il est recommandé de terminer les parois de l'enceinte de l'appareil afin d'éviter que des isolants exposés ou une pare-vapeur n'entre pas en contact avec l'appareil. Cela garantira l'entretien des combustibles.

Les ancres murales ne sont pas nécessaires lors du vissage dans le goujon du mur.

Il est recommandé d'utiliser un embout de tournevis magnétique lors de l'installation pour éviter que les vis ne tombent pas dans l'appareil.

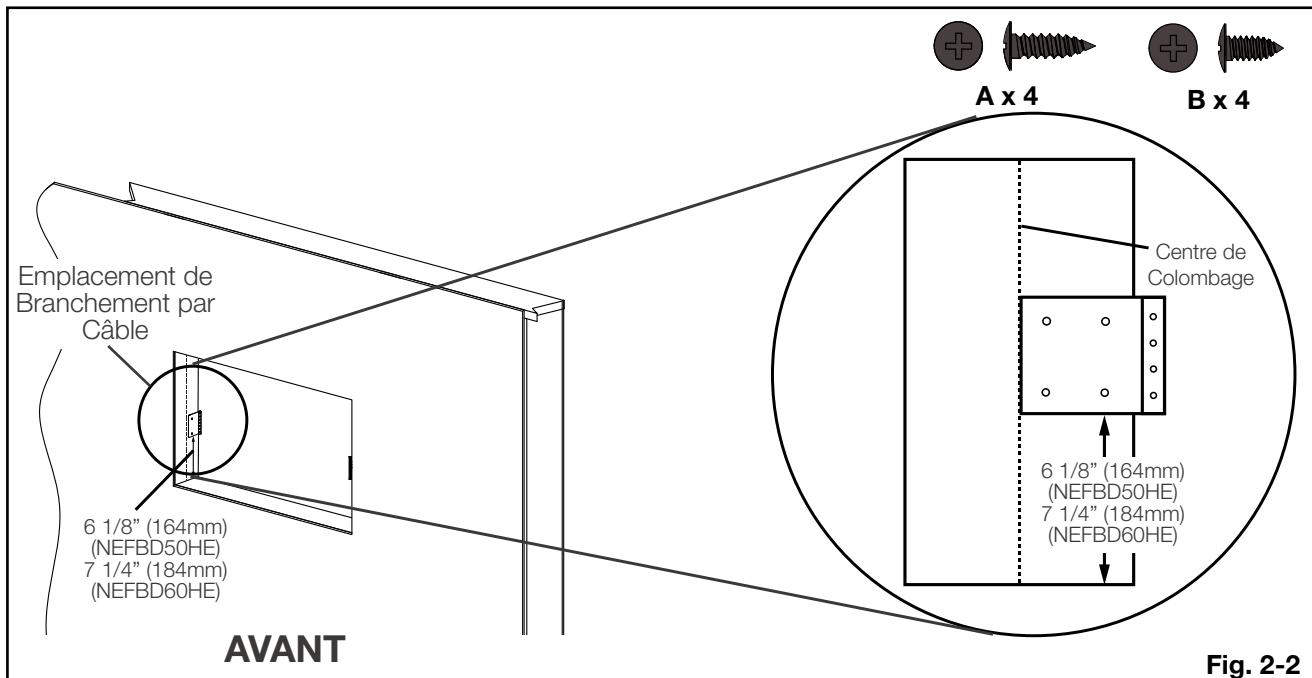
- A. Cadrez une ouverture (voir la section « ossature » pour plus de détails).
- B. Faites les connexions de branchement de câblage sur le côté gauche du côté avant prévu.
- C. Retirez les garnitures avant de l'appareil (voir la section « enlèvement / installation de garniture avant »).
- D. Retirez le verre avant de l'appareil (voir la section « enlèvement / installation de verre avant »).
- E. Retirez les 2 panneaux MDF de l'appareil en retirant les vis. Jetez les deux panneaux MDF. Utilisez 4 nouvelle vis (fournies) sur chaque côté afin de couvrir les trous des vis des panneaux MDF (**Fig. 2-1**).



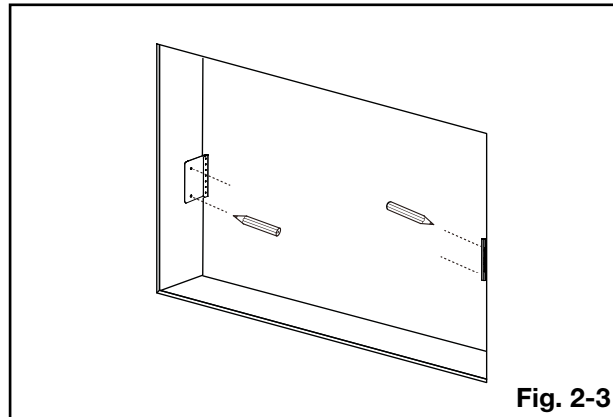
note:

L'installation utilise 2 supports de montage dans les coins opposés. En regardant le colombage du centre de l'ouverture, les supports vont étendre au droit (**Fig. 2-2**).

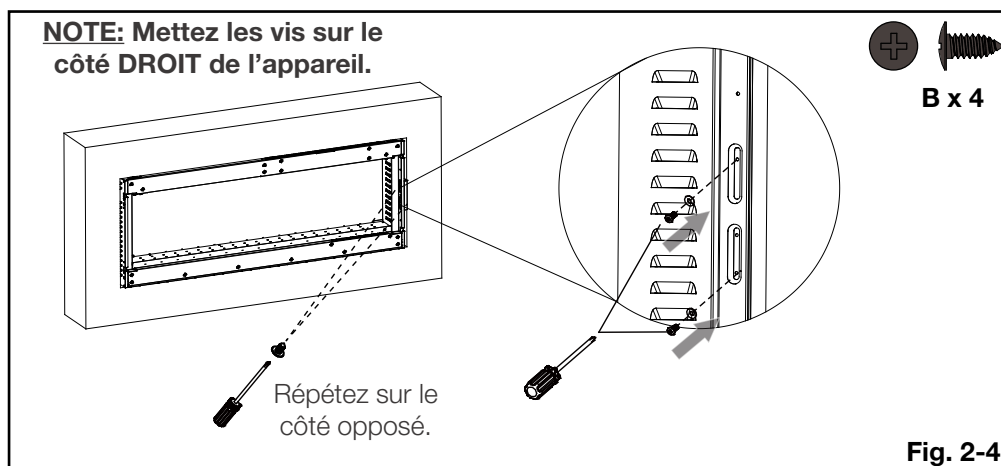
- F. Marquez le centre du profondeur du mur sur le colombage vertical et installez les supports de montage en alignant le bord du support avec le marquage du centre. Mesurez 6 1/8" (164mm) (NEFBD50HE) / 7 1/4" (184mm) (NEFBD60HE) du bas du support au bas de l'ouverture (**Fig. 2-2**).



- G.** Marquez les trous pour le support de montage. Assurez-vous que les trous marqués sont sur côtés opposés parce que les supports ne peuvent pas être montés sur le même côté (**Fig. 2-3**).


Fig. 2-3

- H.** Percez les trous marqués et fixez les supports de montage avec vis (fournies).
- I.** Localisez l'appareil à l'ouverture et le placez afin que les connexions de branchement par câble peuvent être faire (voir la section « branchement par câble »).
- J.** Localisez l'appareil complètement dans l'ouverture et le placez contre les supports de montage. Alignez le trou de vis du support avec les fentes sur le côté de l'appareil, puis percez à travers les fentes afin de fixer l'appareil dans les supports de montage. Répétez sur le côté opposé (**Fig. 2-4**).


Fig. 2-4

- K.** Installez le média (voir la section « installation de média »).
- L.** Réinstallez le verre avant et la garniture avant (voir la sections « enlèvement / installation de verre avant » et « enlèvement / installation de garniture avant »).

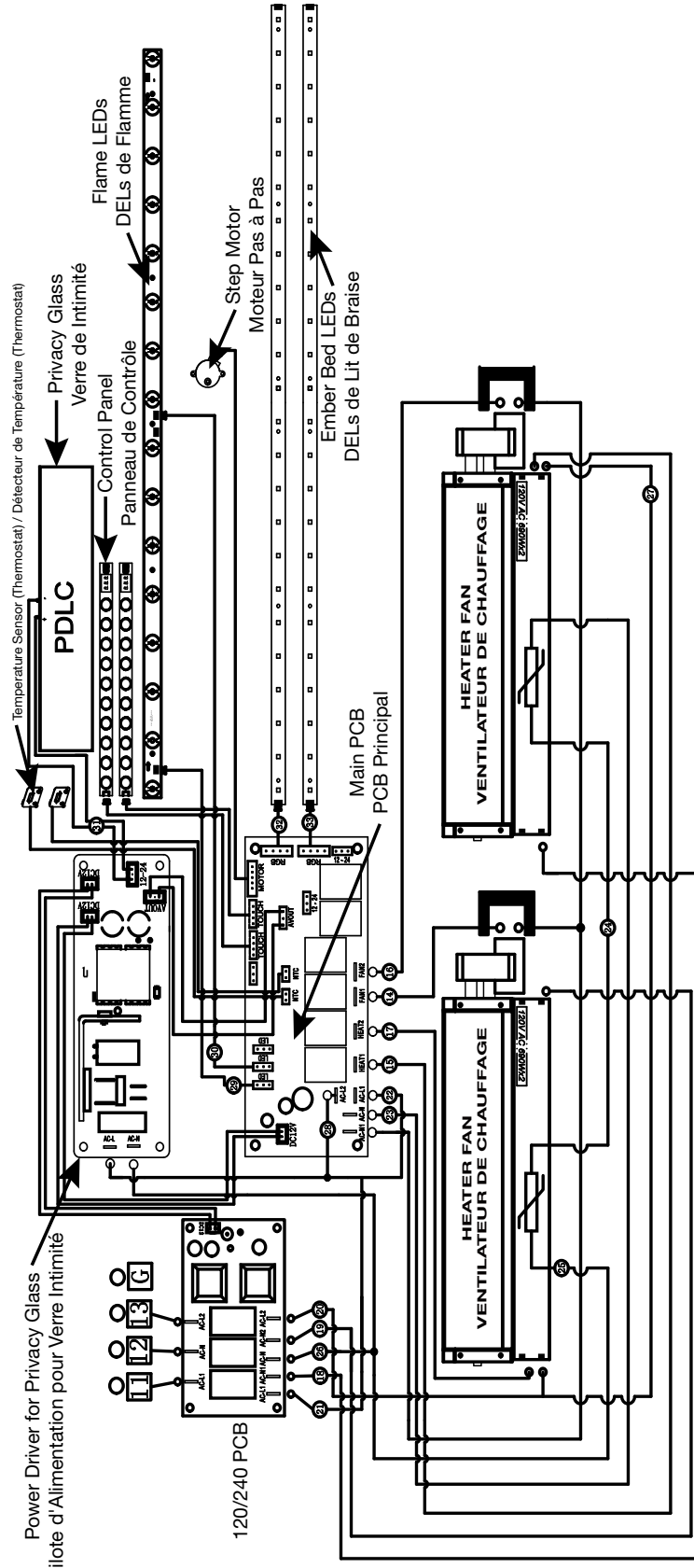
3.0 information électrique

FR

3.1 schéma de câblage NEFBD50HE

! AVERTISSEMENT

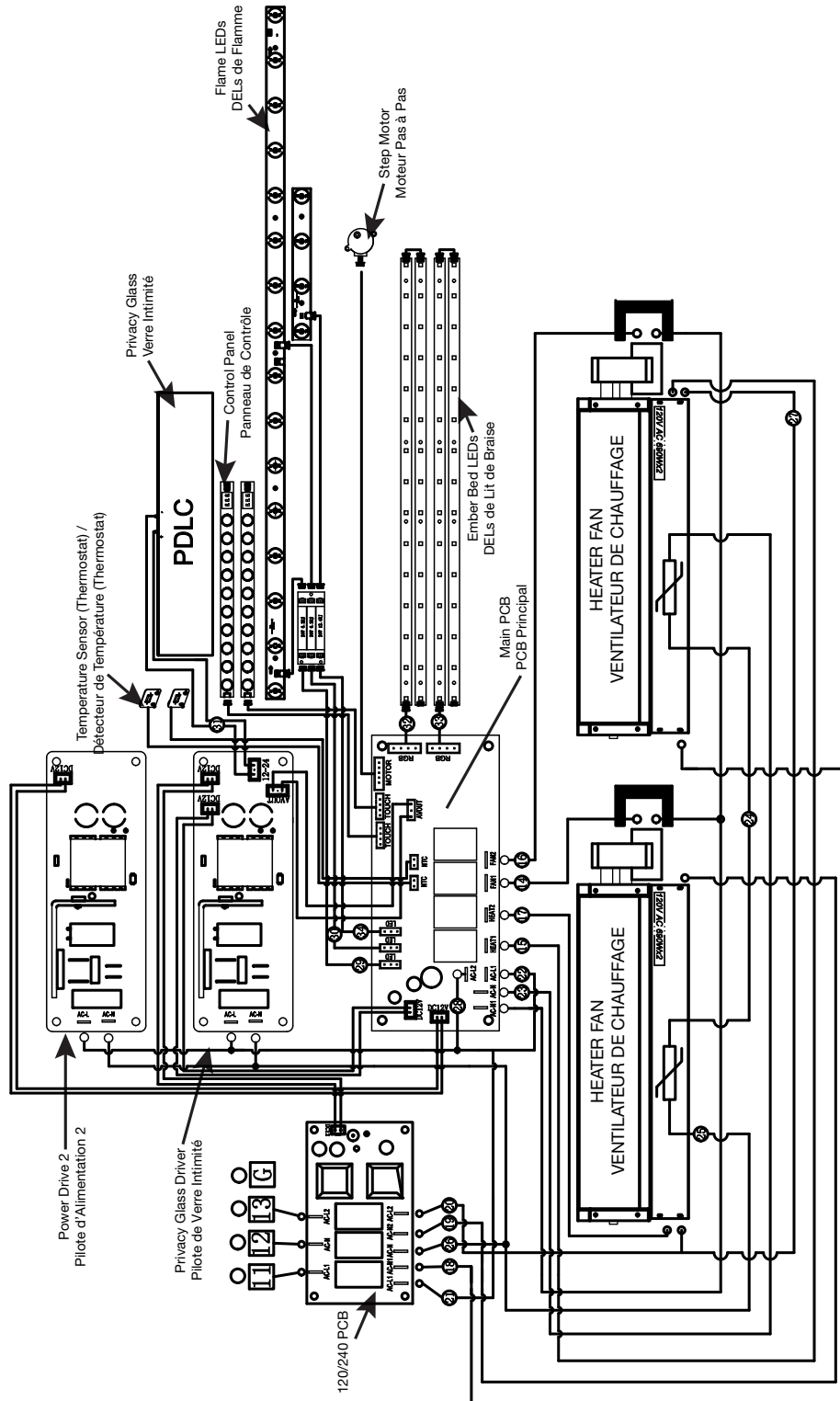
- Éteignez complètement l'appareil et laissez refroidir avant de procéder à l'entretien. Seul un technicien qualifié doit réparer cet appareil électrique.



3.2 schéma de câblage NEFBD60HE

! AVERTISSEMENT

- Éteignez complètement l'appareil et laissez refroidir avant de procéder à l'entretien. Seul un technicien qualifié doit réparer cet appareil électrique.



3.3 installation de branchement par câble

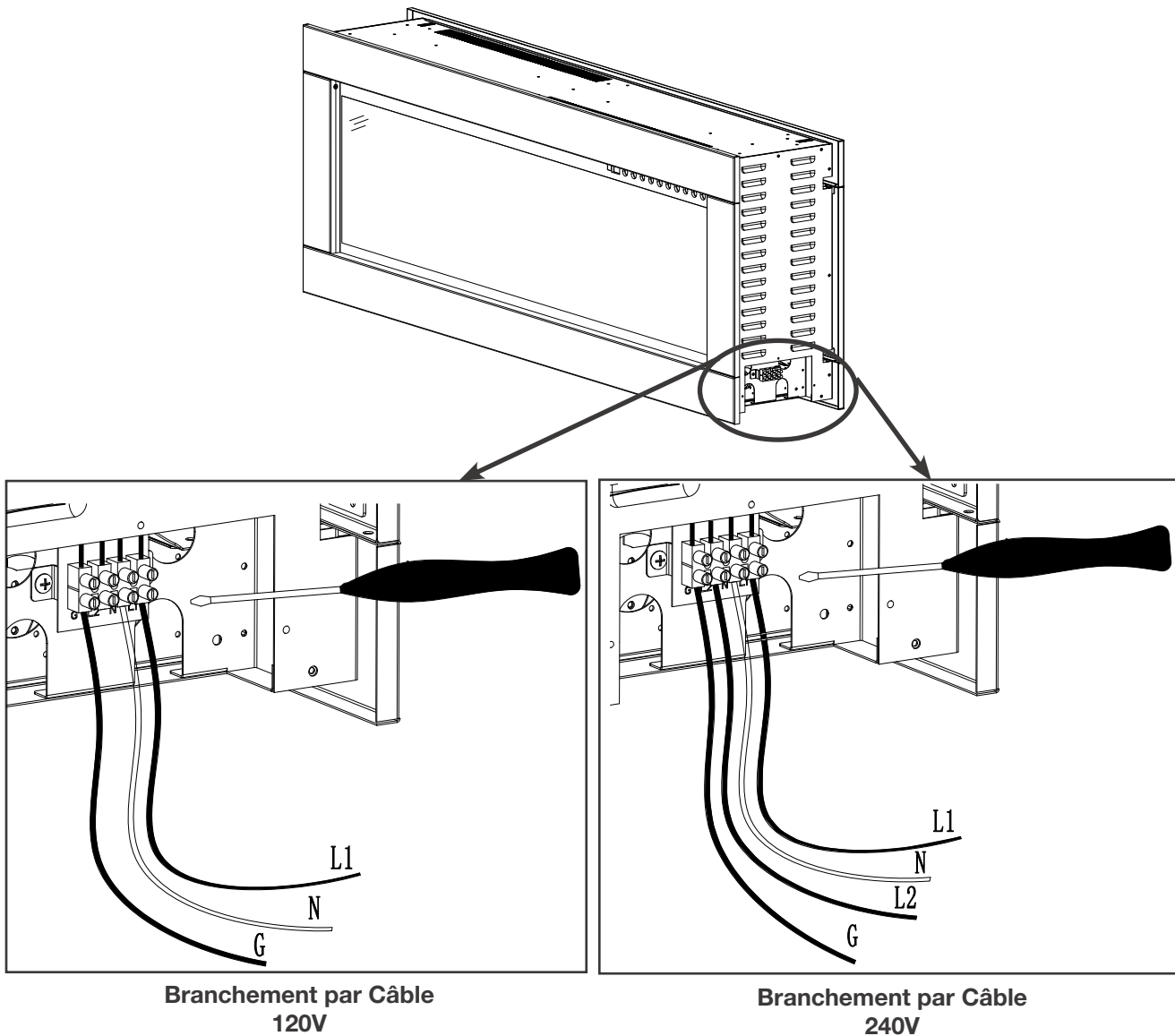
⚠ AVERTISSEMENT

- Coupez l'alimentation électrique à l'appareil et laissez-le refroidir avant d'effectuer un entretien. Seulement un technicien de service qualifié peut effectuer l'entretien ou la réparation de cet appareil électrique.

Branchement par Câble

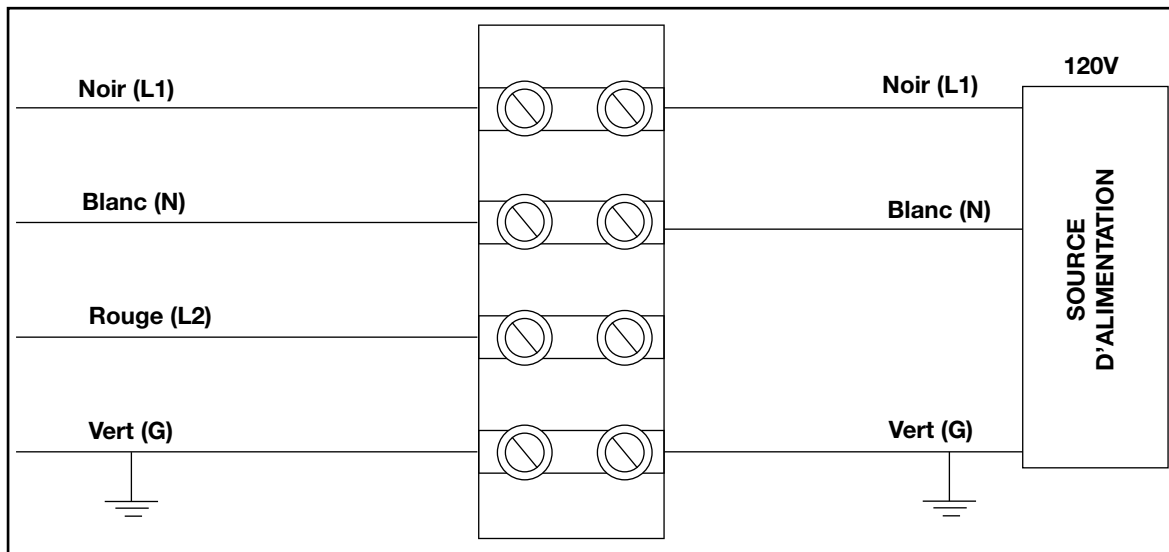
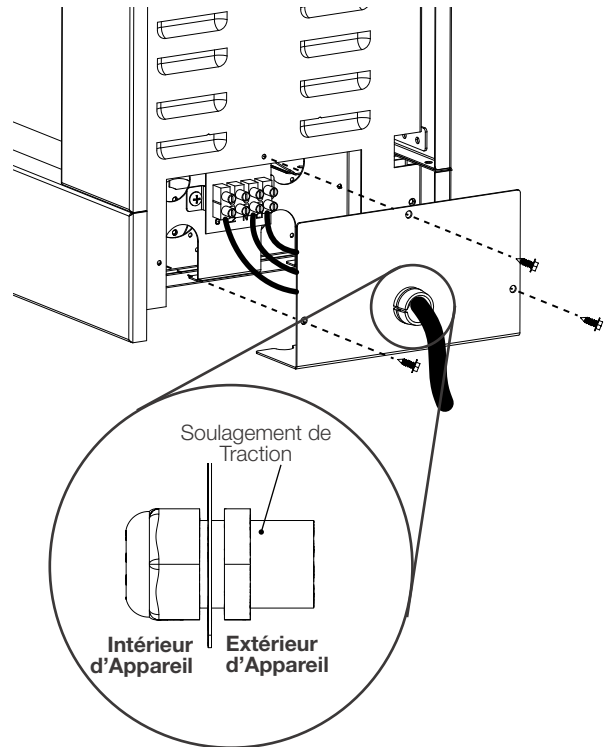
Il est nécessaire de câbler cet appareil. Un électricien qualifié doit câbler l'appareil directement au câblage du ménage. Le fil et le disjoncteur d'alimentation doivent être évalués pour un minimum de 120V, 15 ampères. Utilisez 14AWG/2 pour 120V et 14AWG/3 pour 240V. Cet appareil requiert une connexion Neutre pour les deux connexions 120V et 240V. Les composants 120V sont encore utilisés sur le réglage 240V.

Cet appareil doit être connecté électriquement et mis à la terre conformément aux codes locaux, s'il est câblé. En l'absence de codes locaux, utilisez le CODE ÉLECTRIQUE CANADIEN CSA C22.1 actuel au Canada ou le CODE ÉLECTRIQUE NATIONAL ANSI/NFPA 70 aux États-Unis.



3.4 branchement par câble 120V

- A. Retirez la plaque de recouvrement en retirant les 3 vis. Mettez de côté les vis.
- B. Ajoutez un soulagement de traction et mettez les fils d'alimentation au travers le trou de 7/8" (22mm) du bloc terminal. Utilisez un minimum de 14AWG/2.
- C. Desserrez la vis de sécurité du bloc terminal pour le fil Vert (G). Insérez le fil Vert (G) ou le fil cuivre à nu de source d'alimentation aux fentes designés (G) dans le bloc terminal. Fixez-les en serrant les vis dans les fentes (G).
- D. Desserrez la vis de sécurité du bloc terminal pour le fil Blanc (N). Insérez le fil Blanc (N) de source d'alimentation aux fentes designés (N) dans le bloc terminal. Fixez-les en serrant les vis dans les fentes (N).
- E. Desserrez la vis de sécurité du bloc terminal pour le fil Noir (L1). Insérez le fil Noir (L1) de source d'alimentation aux fentes designés (L1) dans le bloc terminal. Fixez-les en serrant les vis dans les fentes (L1).
- F. Réinstallez la plaque de recouvrement.



note:

Laissez un câblage suffisant pour retirer l'appareil de l'enceinte pour accéder les connexions de câblage d'ur.

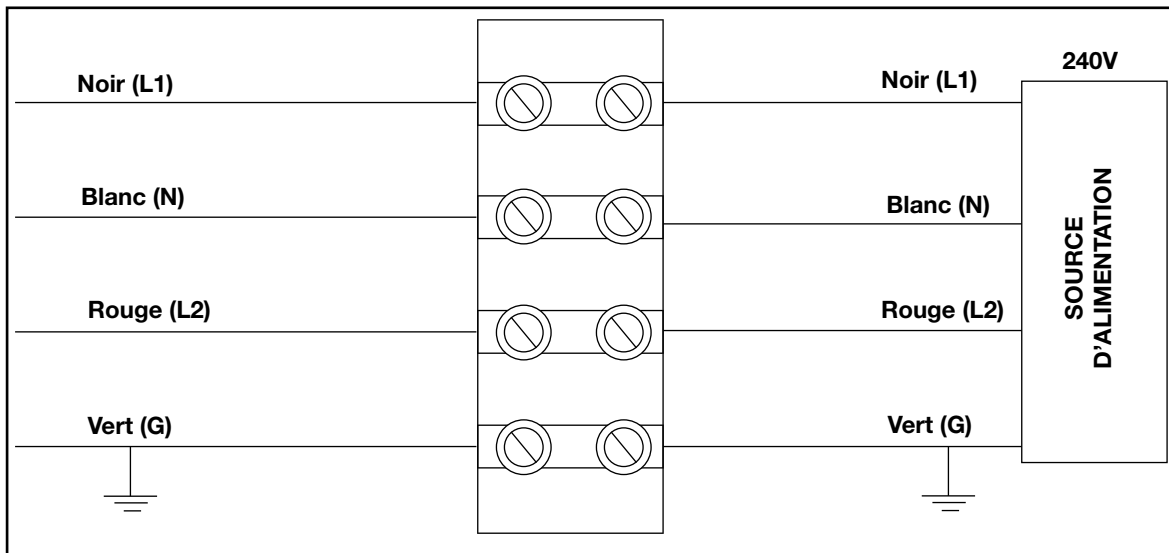
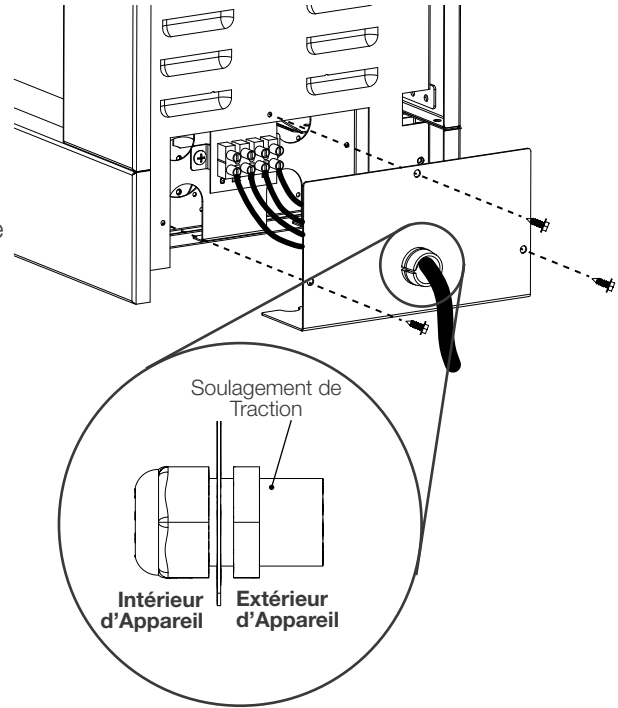
Si les connexions 120V ne sont pas câblés correctement, l'appareil ne fonctionne pas.

information électrique

FR

3.5 branchement par câble 240V

- A. Retirez la plaque de recouvrement en retirant les 3 vis. Mettez de côté les vis.
- B. Ajoutez un soulagement de traction et mettez les fils d'alimentation au travers le trou de 7/8" (22mm) du bloc terminal. Utilisez un minimum de 14AWG/3.
- C. Desserrez la vis de sécurité du bloc terminal pour le fil Vert (G). Insérez le fil Vert (G) ou le fil cuivre à nu de source d'alimentation aux fentes designés (G) dans le bloc terminal. Fixez-les en serrant les vis dans les fentes (G).
- D. Desserrez la vis de sécurité du bloc terminal pour le fil Blanc (N). Insérez le fil Blanc (N) de source d'alimentation aux fentes designés (N) dans le bloc terminal. Fixez-les en serrant les vis dans les fentes (N).
- E. Desserrez la vis de sécurité du bloc terminal pour le fil Noir (L1). Insérez le fil Noir (L1) de source d'alimentation aux fentes designés (L1) dans le bloc terminal. Fixez-les en serrant les vis dans les fentes (L1).
- F. Desserrez la vis de sécurité du bloc terminal pour le fil Rouge (L2). Insérez le fil Rouge (L2) de source d'alimentation aux fentes designés (L2) dans le bloc terminal. Fixez-les en serrant les vis dans les fentes (L2).
- G. Réinstallez la plaque de recouvrement.



note:

Laissez un câblage suffisant pour retirer l'appareil de l'enceinte pour accéder les connexions de câblage d'ûr.

Si les connexions 240V ne sont pas câblés correctement, l'appareil ne fonctionne pas et va émettre un avertissement audible (c.à.d. un bip).

4.1 enlèvement / installation de garniture avant

! AVERTISSEMENT

- Avant que la garniture ou le verre avant ne soit enlevé ou installé, débranchez l'appareil et attendez qu'il soit frais pour le toucher.
- La garniture peut être lourde et fragile. Manipulez avec soin.

note:

Les étapes d'enlèvement / installation sont les mêmes pour les deux côtés de l'appareil (c.à.d. avant et arrière).

- Retirez les 2 vis servant à fixer la garniture avant en place (**Fig. 4-1**). Mettez de côté les vis.
- Demandez à deux personnes de soulever la garniture avant des crochets situés à l'intérieur de la chambre de combustion (**Fig. 4-2**). Placez la garniture avant face vers le bas sur une surface douce et non-abrasive.
- Inversez ces étapes afin d'installer la garniture avant.

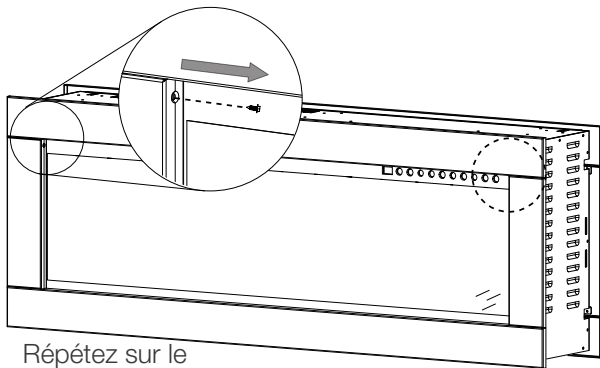


Fig. 4-1

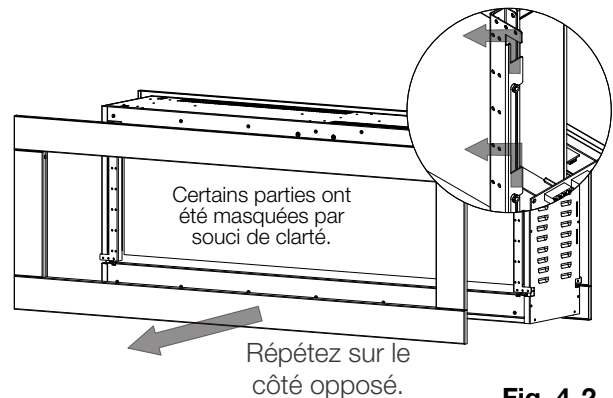


Fig. 4-2

4.2 enlèvement / installation de verre avant

- Retirez les 5 vis servant à fixer le verre avant en place (**Fig. 4-3**).
- Demandez à 2 personnes de soulever le verre avant vers le haut puis vers l'extérieur en le pivotant loin des panneaux latéraux (**Fig. 4-4**). Placez le verre avant face vers le bas sur une surface douce et non-abrasive.
- Inversez ces étapes afin d'installer le verre avant.

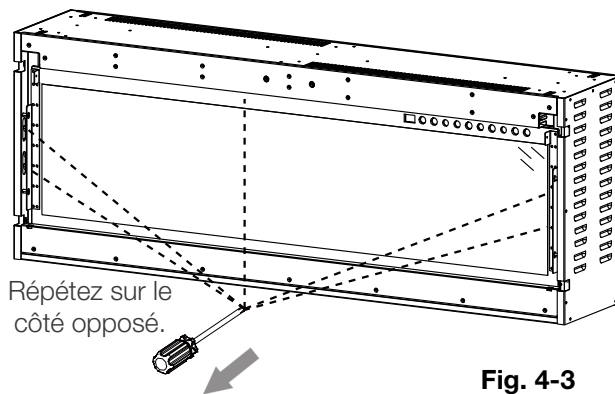


Fig. 4-3

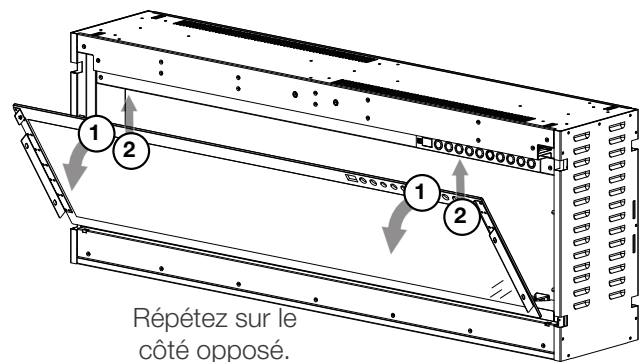


Fig. 4-4

4.3 installation de média

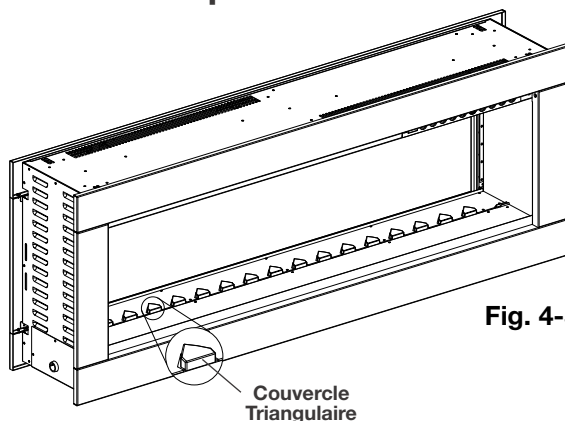
Il existe deux options de médias pour cet appareil: l'ensemble de bûches et les cristaux acrylique. L'ensemble de bûches est préinstallé avec l'appareil et doit être fini avec verre topaz (voir la section « ensemble de bûches et installation de verre topaz »). Si vous le souhaitez, l'ensemble de bûches et le verre topaz peut être changé avec des cristaux acrylique (voir la section « installation de cristaux en acrylique »).

4.3.1 ensemble de bûches et installation de verre topaz

L'ensemble de bûches est préinstallé avec l'appareil et doit être fini avec verre topaz. Soigneusement placez le verre topaz entre l'ensemble de bûche (côtés avant et arrière) après avoir encadré l'appareil et avant d'installer le verre avant.

note:

NE COUVREZ PAS les couvercles triangulaires à l'arrière de l'appareil (**Fig. 4-5**). Le blocage des couvercles triangulaires avec des milieux modifie l'apparence de la flamme.


Fig. 4-5

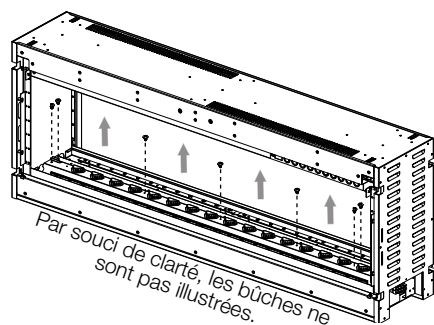
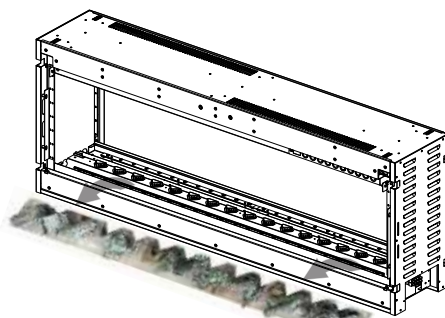
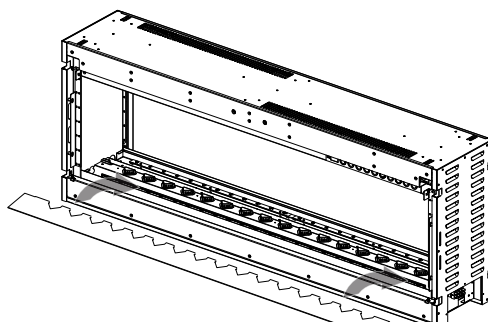
4.3.2 installation de cristaux acrylique

note:

Assurez-vous d'aspirer tout verre topaz ou cristaux acrylique à l'extérieur de la zone du plateau de support avant l'opération.

NE COUVREZ PAS les couvercles triangulaires à l'arrière de l'appareil. Le blocage des couvercles triangulaires avec des milieux modifie l'apparence de la flamme.

- A. Retirez le verre topaz.
- B. Retirez les vis de la base/le plateau à média de l'ensemble de bûche. Gardez les vis avec l'ensemble de bûche pour usage ultérieur (**Fig. 4-6**).
- C. Retirez l'ensemble de bûche (**Fig. 4-7**).
- D. Installez le plateau à média. Assurez-vous de NE RÉINSTALLER PAS les vis parce-qu'elles peuvent faire plier le plateau à média lorsqu'il est chauffé (**Fig. 4-8**).
- E. Soigneusement placez les cristaux acrylique dans le plateau à média, en créant une couche uniforme d'un côté à l'autre.
- F. Inversez ces étapes pour réinstaller l'ensemble de bûche avec verre topaz.


Fig. 4-6

Fig. 4-7

Fig. 4-8

! AVERTISSEMENT

- Pendant que l'appareil fonctionne, ne retirez pas le panneau de verre. Cela entraînera une défaillance de la télécommande et du panneau tactile.

Une fois que l'appareil a été câblé à une source d'alimentation 120V/240V dédié, il est prêt à fonctionner.

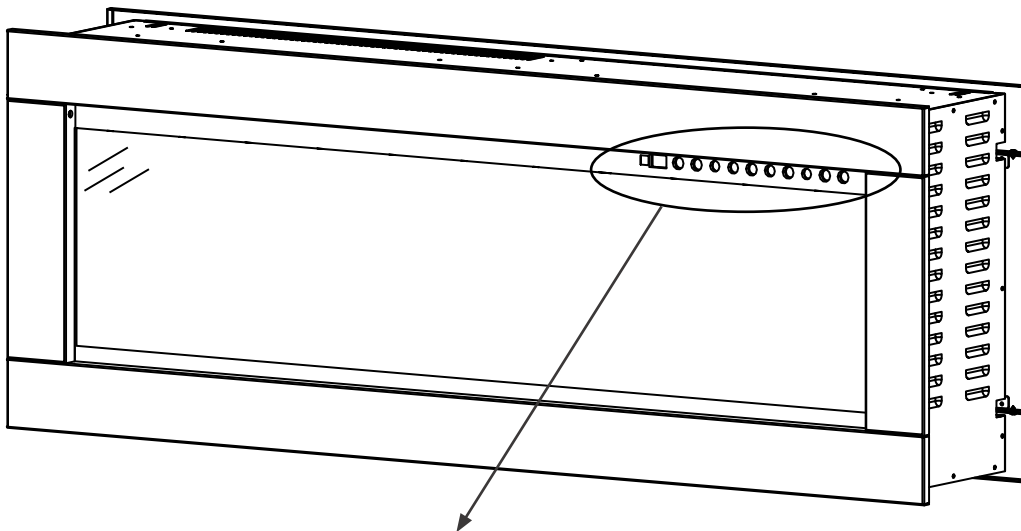
note:

Assurez-vous que les disjoncteurs de la maison de l'alimentation sont allumés. En cas de panne de courant, l'appareil perd sa fonction de mémoire et se réinitialise en mode d'usine lorsque l'alimentation revient.

5.1 bouton d'alimentation principal

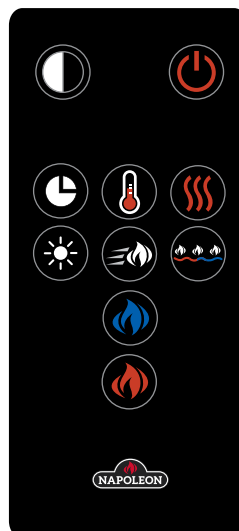
Le bouton d'alimentation principal est situé dans le coin supérieur à gauche du panneau verre.

5.2 utilisation de panneau tactile et télécommande



panneau tactile

À titre d'illustration seulement. Le panneau tactile peut différer quelque peu de l'illustration.



télécommande

instructions de fonctionnement






FR

note:






Lorsque **la chaleur** est allumée seulement (c.à.d. pas de flammes, pas de lumières de lit de braises, etc.), la fenêtre d'affichage sera sombre et indiquera H1 ou la température souhaité.

Lorsque **le ventilateur** est allumé seulement (c.à.d. pas de flammes, pas de lumières de lit de braise), la fenêtre d'affichage sera sombre et indiquera FAN.

Après que la chaleur est éteint, le ventilateur continuera à fonctionner pendant 10 seconds. Cela enlève la chaleur et abaisse la température de l'appareil.

Alimentation		Allume / éteint l'appareil
Contrôle de Verre Intimité		Contrôle le verre intimité. Réglages: G-1 - Mode semi-transparent (défaut) G-2 - Mode totalement transparent G-0 - Pas de mode transparent Appuyez et maintenez le bouton pendant 5 seconds de verrouiller/deverrouiller le verre intimité à état G-0. Lorsqu'il est deverrouillé, l'appareil reviendra à G-1 (défaut).
Flamme Orange		Contrôle la luminosité de la flamme orange. Réglages: OF4 - Flamme la plus brillante OF3 - Flamme brillant OF2 - Flamme faible OF1 - Flamme la plus faible OF0 - Flamme éteint
Flamme Bleu		Contrôle la luminosité de la flamme bleu. Réglages: BF4 - Flamme la plus brillante BF3 - Flamme brillante BF2 - Flamme faible BF1 - Flamme la plus faible BF0 - Flamme éteint
Luminosité de Lit de Braise		Contrôle la luminosité de la lumière du lit de braise. NOTE: Si la couleur du lit de braise est réglée à L16, la réglage de la luminosité du lit de braise ne peut pas être modifié. Réglages: B-5 - Disparaître par intermittence B-4 - La plus brillante B-3 - Brillante B-2 - Faible B-1 - La plus faible B-0 - Éteint

Continue sur la prochaine page →

<p>Couleur de Lit de Braise</p>		<p>Contrôle les réglages de la lumière de lit de braise.</p> <p>NOTE: Luminosité du lit de braise doit être réglée entre B-4 et B-1 pour contrôler la couleur du lit de braise.</p> <p>Réglages: L01 - Orange L02 - Rouge L03 - Bleu L04 - Jaune L05 - Vert L06 - Violet L07 - Bleu de Ciel L08 - Violet Rouge L09 - Blanc L10 - Rose L11 - Jaune Vert L12 - Bleu Glacial L13 - Orange Rouge L14 - Vert Faible L15 - Magenta L16 - Cycle automatique L17 - Verrouiller une couleur penant cycle L16</p>
<p>Vitesse de la Flamme</p>		<p>Contrôle la vitesse de la flamme.</p> <p>Réglages: S-3, S-4, S-5, S-1, S-2</p>
<p>Chauffage</p>		<p>Allume/éteint le chauffage et ventilateur.</p> <p>Réglages: H-0 - Chauffage et ventilateur éteint FAN - Ventilateur allume H-1 - Chauffage allume (750W chaque côté @ 120V / 1500W chaque côté @ 240V) LOC - Verrouillage de chauffage et thermostat</p> <p>NOTE: Fonction de sécurité enfant. Le radiateur peut être verrouillé ou déverrouillé en maintenant le bouton enfoncé pendant 5 secondes. Les fonctions de chauffage et de ventilation sont désactivées lorsqu'il est verrouillé. Le "LO" s'affichera.</p> <p>NOTE: Chaque côté de l'appareil a un verrou de chauffage indépendant.</p>
<p>Minuterie</p>		<p>Contrôle la minuterie.</p> <p>Réglages: 30M, 1Hr, 2Hr, 3Hr, 4Hr, 5Hr, 6Hr, 7Hr, 8Hr.</p> <p>NOTE: L'affichage va montrer « --- » après avoir complété les 9 réglages de la minuterie.</p>
<p>Contrôle de Température</p>		<p>Contrôle la température souhaité.</p> <p>Réglages: 18°C (64°F), 19°C (66°F), 20°C (68°F), 21°C (70°F), 22°C (72°F), 23°C (74°F), 24°C (76°F), 25°C (78°), 26°C (80°F), 27°C (82°F), et OFF.</p> <p>Pour changer entre °C et °F ou vice versa, appuyez et maintenez le bouton de contrôle de température pendant 5 seconds.</p>

6.0 entretien

FR

6.1 nettoyage

AVERTISSEMENT

- Toujours désactivez le chauffage et débranchez le cordon d'alimentation de nettoyage, d'entretien, ou de délocalisation. Le non-respect de cette précaution peut resulter en choc électrique, incendie, ou dommages corporels.
- Ne jamais immergez dans l'eau ou vaporisez avec de l'eau. Cela pourrait entraîner dans choc électrique, feu, ou dommages corporels.

Métal:

- Polissez à l'aide d'un chiffon doux et humidifié un peu avec un produit à base d'huile d'agrumes.
- N'utilisez pas du polissage de laiton ou des nettoyeurs ménagers parce-que ces produits endommageront la garniture en métal.

Verre:

- Utilisez un nettoyant de bon qualité sur un chiffon ou serviette. Essuyez à fond avec une serviette en papier ou un chiffon non pelucheux.
- Ne jamais utilisez les nettoyeurs abrasifs, les sprays liquides, ou tout nettoyant qui peut gratter la surface.

Évents:

- Utilisez un aspirateur ou chiffon d'enlever la poussière et la saleté du chauffage et les zones d'évents.

Plastique:

- Essuyez doucement avec un chiffon humidifié et une mélange doux de porte-savon et de l'eau chaud.
- Ne jamais utilisez les nettoyeurs abrasifs, les sprays liquides, ou tout nettoyant qui peut gratter la surface.

6.2 installation des piles de la télécommande

! AVERTISSEMENT

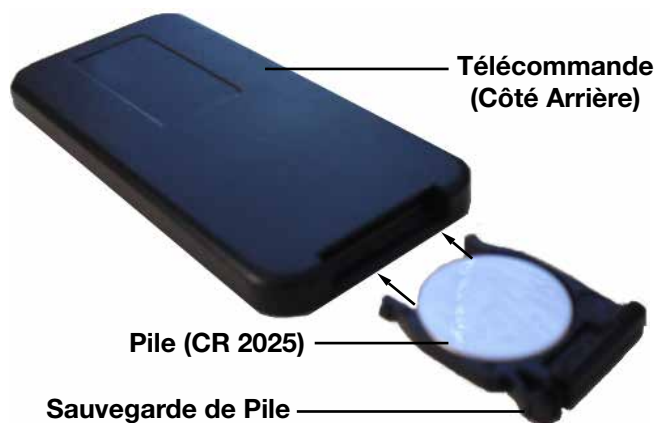
- Cette télécommande nécessite des piles boutons qui sont dangereuses pour les jeunes enfants.
- **AVERTISSEMENT - GARDEZ LES PILES DE LA PORTÉE DES ENFANTS!**
- L'ingestion peut entraîner des blessures graves dans moins de 2 heures ou la mort, en raison des brûlures chimiques et de la perforation potentielle de l'oesophage.
- Si vous pensez que votre enfant a avalé ou inséré une pile bouton, recherchez immédiatement une assistance médicale urgente.
- Examinez les appareils et assurez-vous que le compartiment de la pile est bien fixé (c.à.d. que la vis ou autre attache mécanique est serrée). N'utilisez pas si le compartiment n'est pas sécurisé.
- Éliminez les piles bouton usagées immédiatement et en toute sécurité. Les piles plates peuvent encore être dangereuses.
- Renseignez-vous sur les risques associés aux piles bouton et la façon de garder leurs enfants en sécurité.



note:

La télécommande dispose d'une languette en plastique amovible pour prolonger la durée de vie de la pile pendant l'expédition. Retirez la languette de la télécommande pour fonctionner.

1. Pour remplacer la pile existante, retirez la sauvegarde de pile.
2. Pour retirez la sauvegarde de pile, tournez la télécommande vers l'arrière et appuyez sur le levier latéral gauche vers le centre tout en tirant la sauvegarde de pile à l'aide de la fente fournie.
3. Remplacez la pile existante, type CR 2025, avec une pile nouvelle et réinstallez la sauvegarde de pile dans la télécommande en la glissant en position, comme illustré.



note:

La télécommande doit rester à moins de 5 mètres ou 17 pieds de l'appareil pour être efficace. Cette plage peut être réduite lorsque l'autonomie de la pile est épuisée. La télécommande doit être dirigée vers le centre inférieure de l'appareil pour qu'elle fonctionne le plus efficacement.



Les piles doivent être mises au rebut conformément aux lois et à la réglementation locales. Certaines piles peuvent être recyclées et acceptées dans votre centre de recyclage local. Renseignez-vous auprès de votre municipalité au sujet des directives de recyclage.

7.0 pièces de rechange

FR

AVERTISSEMENT

- Omettre de positionner les pièces conformément à ce manuel ou d'utiliser uniquement des pièces spécifiquement approuvées pour cet appareil peut causer des dommages matériels ou des blessures corporelles.

Contactez votre détaillant pour les questions concernant les prix et la disponibilité des pièces de remplacement. Normalement, toutes les pièces peuvent être commandées chez votre détaillant autorisé.

Pour un remplacement de pièce sous garantie, une photocopie de la facture originale sera requise afin de pouvoir honorer la demande.

Lorsque vous commandez des pièces, donnez toujours l'information suivante:

- Modèle et numéro de série de l'appareil
- Date d'installation de l'appareil
- Numéro de la pièce
- Description de la pièce
- Fini

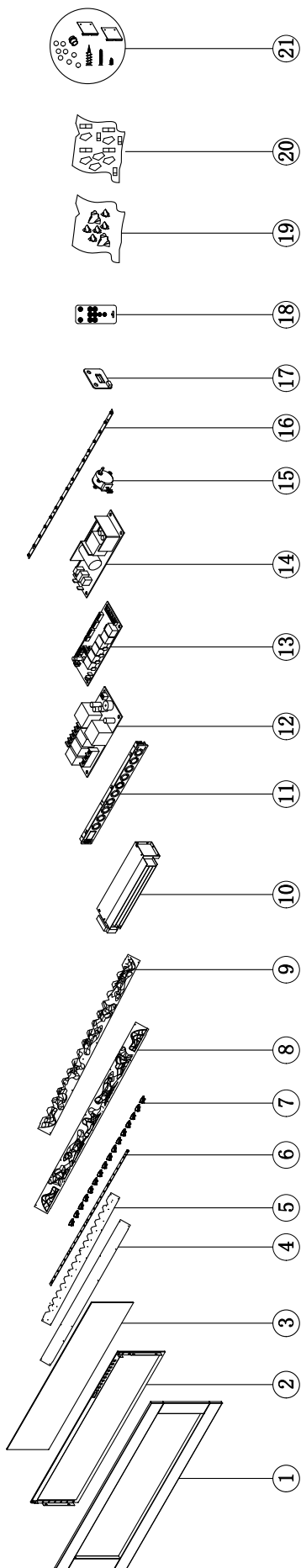
Pièces, numéro des pièces et s'il soit disponible peut changer sans préavis.

Parties identifiées comme garnie seront livrés dans 2 à 5 jours pour la plupart des destinations de livraison.

Pièces non identifiées que stockés seront livrés dans un délai de 2 à 4 semaines pour la plupart des cas.

Pièces identifiées comme « SO » sont commande spéciale et peuvent prendre jusqu'à 90 jours pour la livraison.

7.1 vue d'ensemble de NEFB50HE



Ces articles peuvent différer de ceux illustrés.

Réf.	No. de Pièce	Qté.	Description	En Stock	Réf.	No. de Pièce	Qté.	Description	En Stock
1	W715-1227-SER	2	Garniture avant, noir	Oui	13	W190-0178-SER	1	Planche PCB principale	Oui
2	W300-0313-SER	2	Verre avant	Oui	14	W190-0179-SER	1	Moteur pour verre intimité	Oui
3	W300-0314-SER	1	Verre intimité	Oui	15	W435-0090-SER	1	Moteur pas à pas	Oui
4	W497-1608-SER	1	Avant, plateau à média	Oui	16	W405-0083-SER	1	Lumière DEL pour flamme	Oui
5	W497-1609-SER	1	Arrière, plateau à média	Oui	17	W690-0021	2	Thermostat	Oui
6	W405-0085-SER	2	Bande de lumière DEL de lit de braise	Oui	18	W190-0181-SER	2	Télécommande	Oui
7	W405-0084-SER	16	Couvercle triangulaire	Oui	19	W497-1610-SER	2	Cristaux acryliques	Oui
8	W135-0936-SER	1	Avant, ensemble de bûche	Oui	20	W300-0315-SER	1	Verre topaz	Oui
9	W135-0937-SER	1	Arrière, ensemble de bûche	Oui	21	W370-0191-SER	1	Ensemble de quincaillerie & support de montage	Oui
10	W010-4656-SER	2	Assemblage de chauffage et ventilateur	Oui	22 * **	W430-0023-SER	1	Boutons magnétiques (x8)	Oui
11	W475-6144-SER	2	Panneau d'affichage tactile avec récepteur	Oui	23 *	W527-0042-SER	1	Baril de réflecteur	Oui
12	W190-0180-SER	1	Planche de câblage PCB120V/240V	Oui					

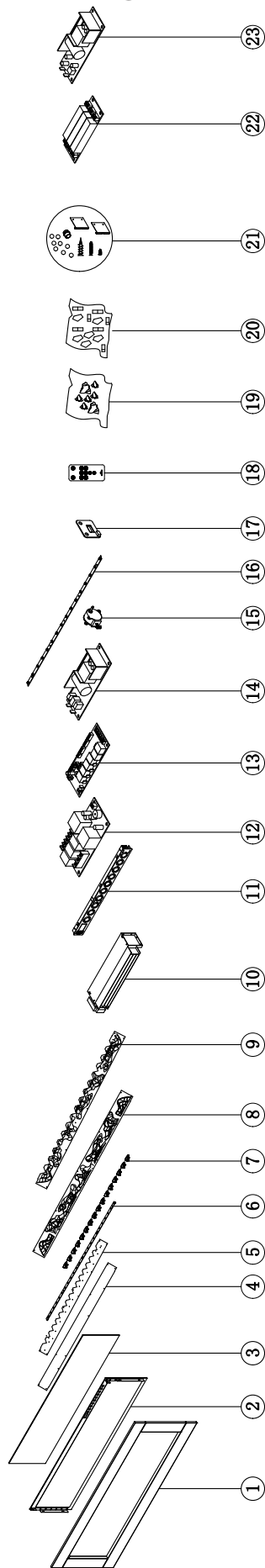
* Parties non illustrés.

** Ces boutons magnétiques sont à des fins décoratives seulement. Ils doivent être placés dans les coins de la façade de l'appareil (voir la section « boutons magnétiques » pour détails).

7.2 vue d'ensemble de NEFBD60HE

FR

pièces de rechange



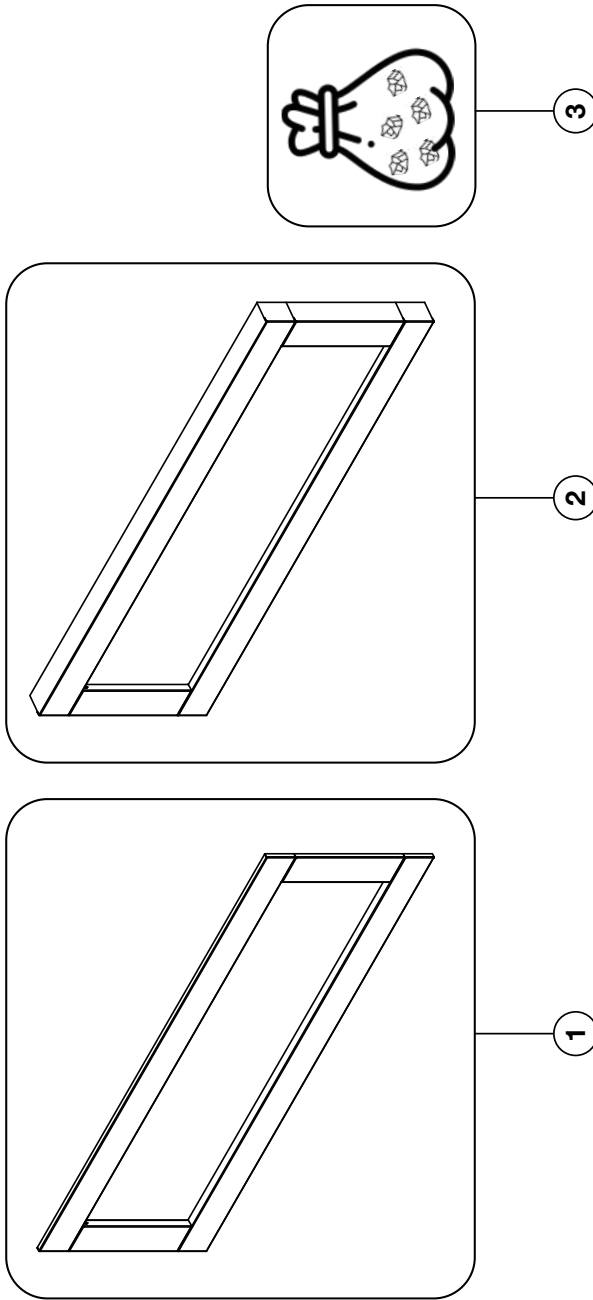
Ces articles peuvent différer de ceux illustrés.

Réf.	No. de Pièce	Qté.	Description	En Stock	Réf.	No. de Pièce	Qté.	Description	En Stock
1	W715-1256-SER	2	Garniture avant, noir	Oui	13	W190-0178-SER	1	Planche PCB principale	Oui
2	W300-0330-SER	2	Verre avant	Oui	14	W190-0179-SER	1	Moteur pour verre intimité	Oui
3	W300-0331-SER	1	Verre intimité	Oui	15	W435-0090-SER	1	Moteur pas à pas	Oui
4	W497-1623-SER	1	Avant, plateau à média	Oui	16	W405-0093-SER	1	Lumière DEL pour lumière	Oui
5	W497-1624-SER	1	Arrière, plateau à média	Oui	17	W690-0021	2	Thermostat	Oui
6	W405-0091-SER	2	Bande de lumière DEL de lit de braise	Oui	18	W190-0181-SER	2	Télécommande	Oui
7	W405-0092-SER	20	Couvercle triangulaire	Oui	19	W497-1625-SER	2	Cristaux acryliques	Oui
8	W135-0992-SER	1	Avant, ensemble de bûche	Oui	20	W300-0332-SER	1	Verre topaz	Oui
9	W135-0993-SER	1	Arrière, ensemble de bûche	Oui	21	W370-0191-SER	1	Ensemble de quincaillerie & support de montage	Oui
10	W010-4656-SER	2	Assemblage de chauffage et ventilateur	Oui	22	W190-0199-SER	1	Planche de résistance	Oui
11	W475-6144-SER	2	Panneau d'affichage tactile avec récepteur	Oui	23	W190-0200-SER	1	Planche d'alimentation 2	Oui
12	W190-0180-SER	1	Planche de câblage PCB 120V/240V	Oui	24 * **	W430-0023-SER	1	Boutons magnétiques (x8)	Oui
					25 *	W527-0043-SER	1	Baril de réflecteur	Oui

* Parties non illustrés.

** Ces boutons magnétiques sont à des fins décoratives seulement. Ils doivent être placés dans les coins de la façade de l'appareil (voir la section « boutons magnétiques » pour détails).

8.1 accessoires de NEFBD50HE



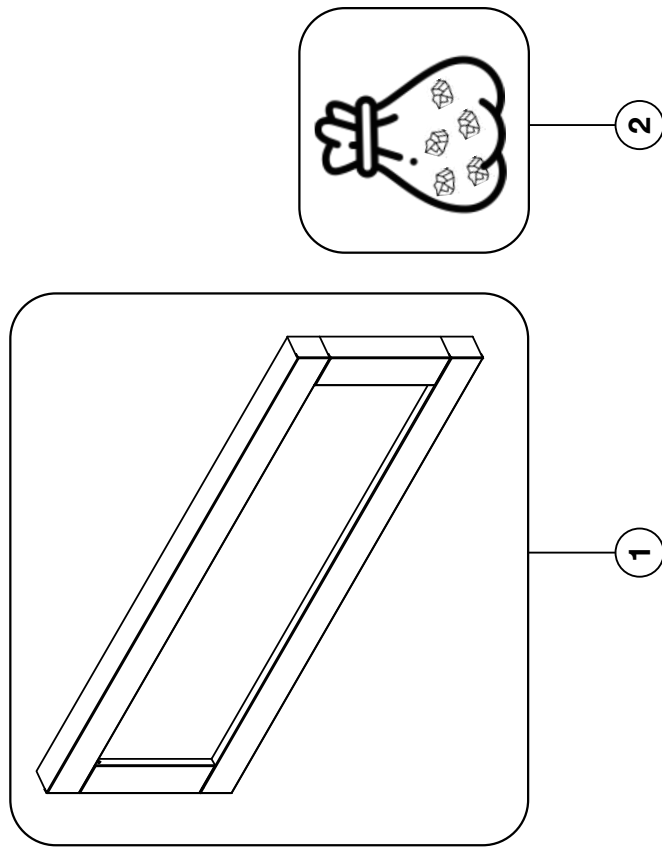
Ces articles peuvent différer de ceux illustrés.

Réf.	No. de Pièce	Description	En Stock
1	NEFBD50HE-SS-TRIM	Garniture en acier inoxydable (x2)	Oui
2 *	NEFBD50HE-SS-DTRM	Garniture profonde en acier inoxydable (x2)	Oui
2 *	NEFBD50HE-DTRM	Garniture profonde noir (x2)	Oui
3 **	W497-0067-SER	Sac de cristaux, grand	Oui

* Pour utilisation avec les murs 4 1/2" (114mm) en épaisseur. Pour plus d'information, voir la section « ossature ».

** 5 cristaux par sac. Cet appareil nécessite 2 sacs.

8.2 accessoires de NEFBD60HE



Ces articles peuvent différer de ceux illustrés.

Réf.	No. de Pièce	Description	En Stock
1 *	NEFBD60HE-SS-DTRM	Garniture profonde en acier inoxydable (x2)	Oui
1 *	NEFBD60HE-DTRM	Garniture profonde noire (x2)	Oui
2 **	W497-1626-SER	Sac de cristaux, grand	Oui

* Pour utilisation avec les murs 4 1/2" (114mm) en épaisseur. Pour plus d'information, voir la section « ossature ».

** 6 cristaux par sac. Cet appareil nécessite 2 sacs.

AVERTISSEMENT

- Coupez l'alimentation électrique à l'appareil et laissez-le refroidir avant d'effectuer un entretien. Seulement un technicien de service qualifié peut effectuer l'entretien ou la réparation de cet appareil électrique.

symptôme	problème	solution
L'appareil ne s'allume pas lorsque l'interrupteur est mis à « on ».	L'appareil n'est pas branché dans une prise de courant.	Vérifiez la prise, et branchez dans l'appareil si nécessaire.
	Branchement par câble sont incorrectes.	Voir la section « branchement par câble ».
	L'appareil a surchauffé et le dispositif de sécurité a entraîné le déclenchement de l'interrupteur thermique.	Débranchez l'appareil et le disjoncteur, laissez-le refroidir pendant 15 minutes, puis branchez l'appareil ou allumez le disjoncteur.
	Issue avec le panneau PCB principal.	Inspectez la carte de circuit imprimé et remplacez-le si nécessaire.
L'appareil s'éteint et ne se rallume pas.	Le disjoncteur de la maison s'est déclenché.	Réinitialisez le disjoncteur.
	Le fusible de l'appareil a éteint.	Remplacez le fusible.
	L'appareil a surchauffé et le dispositif de sécurité a entraîné le déclenchement de l'interrupteur thermique.	Débranchez l'appareil et le disjoncteur, laissez-le refroidir pendant 15 minutes, puis branchez l'appareil ou allumez le disjoncteur.
L'appareil est revenue à les paramètres par défaut.	Panne de courant.	Reprogramme l'appareil au paramètres d'origine (pas applicable avec tous les appareils).
La télécommande ne fonctionne pas.	Les piles sont faibles.	Remplacez les piles de la télécommande.
	Dysfonctionnement du récepteur à distance.	Assurez-vous que le récepteur à distance n'est pas bloqué. Remplacez le panneau.
L'appareil n'émet aucune chaleur.	Réglage du chauffage n'est pas sélectionné.	Voir la section « fonctionnement ».
	Le chauffage a été verrouillé.	Voir la section « fonctionnement ».
	La température ambiante est plus élevée que le réglage de l'appareil (si réglée au température de la chambre).	Réinitialisez le réglage pour la température.
	L'appareil a surchauffé et le dispositif de sécurité a entraîné le déclenchement de l'interrupteur thermique.	Débranchez l'alimentation ou éteignez le disjoncteur. Laissez l'appareil refroidir pendant 15 minutes.
	Branchement par câble sont incorrectes.	Voir la section « branchement par câble ».
	Problème avec le chauffage.	Inspectez la soufflerie and le chauffage, et les remplacez si nécessaire.
La chauffage s'éteint automatiquement.	La salle est trop chaude.	L'appareil est équipé d'un thermostat intégré et s'éteindra automatiquement lorsque la température programmée sera atteinte. Il s'allumera automatiquement lorsque la température de la pièce descendra en dessous de la température programmée.

guide de dépannage

FR

La luminosité du jeu de flammes est faible ou inexistante.	Éclat de flamme n'est pas sélectionné.	Voir la section « fonctionnement ».
	Problème avec les flamme DELs.	Vérifiez les DELs et remplacez-les si nécessaire.
	Problème avec le panneau PCB principal.	Vérifiez le panneau PCB principal et remplacez-le si nécessaire.
La flamme ne bouge pas.	Le moteur est calé / ne fonctionne pas	Cycle de marche / arrêt. Si le problème persiste, consultez votre détaillant.
Le lit de braises s'aillumine pas ou ne diminue pas en luminosité.	Luminosité n'est pas sélectionné.	Voir la section « fonctionnement ».
	Problème avec les DEL de braises.	Vérifiez les DEL de braises et remplacez-les si nécessaire.
	Problème avec le panneau PCB principal.	Vérifiez la panneau PCB principal et remplacez-le si nécessaire.
DEL clignote « OH ».	L'appareil a surchauffé et le dispositif de sécurité a entraîné le déclenchement de l'interrupteur thermique.	Lorsque le thermostat est surchauffé, le buzzer émet un son d'avertissement BI une fois, le tube nixie clignote "OH", toutes les fonctions et tous les boutons sont invalides et tous les boutons sont éteints. Si le bouton est enfoncé, une alarme est émise. Débranchez l'appareil et le disjoncteur, laissez-le refroidir pendant 15 minutes, puis branchez l'appareil ou allumez le disjoncteur. Si le problème persiste, consultez votre détaillant.
Ventilateur retardé.	Le ventilateur est retardé.	Si le temps de chauffage est inférieur à une minute, le délai du ventilateur est de 20 secondes ; si le temps de chauffage est supérieur à une minute, inférieur à cinq minutes, le délai du ventilateur est de 40 secondes ; si le temps de chauffage est supérieur à cinq minutes, inférieur à 10 minutes, le délai du ventilateur est de 70 secondes ; si le temps de chauffage est supérieur à 10 minutes, inférieur à 30 minutes, le délai est de deux minutes ; si le temps de chauffage est supérieur à 30 minutes, le délai du ventilateur est de trois minutes.

Les appareils électriques **Napoléon** sont fabriqués conformément aux normes strictes du Système de Gestion de la Qualité mondialement reconnu ISO 9001 : 2015.

Les produits **Napoléon** sont conçus avec des composants et des matériaux de qualité supérieure, assemblés par des artisans qualifiés qui sont fiers de leur travail. Une fois assemblé, chaque appareil est soigneusement inspecté par un technicien, une agence de service, ou un distributeur qualifié(e) ou autorisé(e) avant d'être emballé pour garantir que vous, le client, recevez le produit de qualité dont vous vous attendez de **Napoléon**.

Garantie Prime Des Appareils Électriques Napoléon

Les composants électriques et les pièces soumises à l'usure sont couverts et **Napoléon** fournira gratuitement les pièces de rechange durant les première 2 années de la garantie prime. Ceci couvre: le ventilateur/l'appareil de chauffage, les moteurs, les interrupteurs, les roulements à billes en nylon, les télécommandes et les lumières de DEL.

Les ampoules et fusibles NE SONT PAS couvert par le garantie.

Dans la première année seulement, les coûts de main-d'oeuvre relatifs aux réparations garanties sont couverts.

* La fabrication de chaque modèle varie. La garantie s'applique uniquement aux composants disponibles avec votre appareil spécifique.

Conditions et Limitations

Napoléon garantit ses produits contre les défauts de fabrication à l'acheteur d'origine seulement. L'enregistrement de la garantie n'est pas nécessaire. Fournissez simplement une preuve d'achat ainsi que le modèle et le numéro de série afin d'effectuer une réclamation de garantie. L'achat doit avoir été fait par l'entremise d'un détaillant **Napoléon** autorisé et sous réserve des conditions et limitations suivantes:

La couverture de la garantie débute à partir de la date d'installation originale.

Cette garantie du fabricant n'est pas transférable et ne peut être prolongée par aucun de nos représentants.

L'installation doit être faite conformément aux instructions d'installation incluses avec le produit et à tous les codes d'incendie et de construction locaux et nationaux.

Cette garantie prime ne couvre pas les dommages causés par un mauvais usage, un manque d'entretien, un accident, des altérations, des abus, ou de la négligence, et l'installation de pièces d'autres fabricants annulera cette garantie.

Cette garantie prime ne couvre pas non plus les égratignures, les bossellements, la corrosion, ou la décoloration causée par une chaleur excessive, des produits d'entretien chimiques et abrasifs ou l'écaillage de pièces en porcelaine émaillée, le bris par manipulation des bûches PHAZER^{MD}.

Au cours de les première 2 années seulement, cette garantie s'étend à la réparation ou au remplacement des pièces garanties dont les matériaux ou la fabrication sont défectueux à la condition que le produit ait été utilisé conformément aux instructions de fonctionnement et dans des conditions normales.

Après la première année, **Napoléon** ne sera pas responsable de l'installation, de la main d'œuvre, ou autres coûts ou dépenses relatives à la réinstallation d'une pièce garantie, et de telles dépenses ne sont pas couvertes par cette garantie.

Nonobstant toutes les dispositions contenues dans cette garantie limitée, la responsabilité de **Napoléon** sous cette garantie est définie comme ci-dessus, et elle ne s'étendra à aucun dommage accidentel, consécutif, ou indirect.

Cette garantie définit l'obligation et la responsabilité de **Napoléon** en ce qui concerne l'appareil électrique **Napoléon**.

Toute autre garantie énoncée ou implicite en ce qui concerne ce produit, ses composants ou accessoires est exclue.

Napoléon n'endosse, ni n'autorise aucun tiers à assumer en son nom, toutes autres responsabilités concernant la vente de ce produit.

Tous dommages causés à l'appareil, aux garnitures en laiton ou autres composants par l'eau, les dommages causés par les intempéries, de longues périodes d'humidité, la condensation, des produits chimiques, ou produits d'entretien nuisibles ne seront pas la responsabilité de **Napoléon**.

Napoléon se réserve le droit de demander à son représentant d'inspecter tout produit ou pièce avant d'honorer toute réclamation.

Toutes les pièces remplacées en vertu de la politique de la Garantie Prime ne peuvent faire l'objet que d'une seule réclamation.

Toutes les pièces remplacées au titre de la garantie seront couvertes pour une période de 90 jours à partir de leur date d'installation.

Le fabricant peut exiger que les pièces défectueuses ou les produits soient retournés ou que des photos numériques soient fournies pour valider la réclamation. Les produits retournés doivent être expédiés port payé au fabricant pour une inspection en usine. Si un produit est déclaré défectueux, le fabricant le réparera ou le remplacera.

Avant d'expédier votre appareil ou les pièces défectueuses, votre détaillant doit obtenir un numéro d'autorisation. Toute marchandise expédiée à notre usine sans autorisation sera refusée et retournée à l'expéditeur.

Les coûts d'expédition ne sont pas couverts par cette garantie.

Des frais de service supplémentaires peuvent être appliqués si vous cherchez à obtenir des services au titre de la garantie auprès d'un détaillant.

Toutes les spécifications et les conceptions sont sujettes à modifications sans préavis en raison des améliorations constantes apportées aux produits. **Napoléon** est une marque de commerce déposée de Wolf Steel Ltée.

NAPOLÉON CÉLÈBRE PLUS DE 40 ANS D'EXISTENCE CONSACRÉS À LA CONCEPTION DE PRODUITS DE CONFORT



7200, Route Transcanadienne, Montréal, Québec H4T 1A3
24 Napoleon Road, Barrie, Ontario, Canada L4M 0G8
214 Bayview Drive, Barrie, Ontario, Canada L4N 4Y8
103 Miller Drive, Crittenden, Kentucky, USA 41030
De Riemsdijk 22, 4004 LC Tiel, Pays-Bas

Téléphone: 1-866-820-8686

napoleon.com