



INSTALLATION AND OPERATION MANUAL

Galaxy™ Series (GSS48E Illustrated)

SAFETY INFORMATION

! WARNING

If the information in these instructions are not followed exactly, a fire or explosion may result causing property damage, personal injury or loss of life. Read the installation, operating and maintenance instructions thoroughly before installing or servicing this equipment.

- Do not store or use gasoline or other flammable vapors and liquids in the vicinity of this or any other appliance.
- An LP-cylinder not connected for use shall not be stored in the vicinity of this or any other appliance.

WHAT TO DO IF YOU SMELL GAS:

- Do not try to light any appliance.
- Shut off gas to the appliance.
- Extinguish any open flame.
- If odour continues, leave the area immediately.
- Do not touch any electrical switch; do not use any phone in your building.
- Immediately call your gas supplier from a neighbour's phone. Follow the gas supplier's instructions.
- If you cannot reach your gas supplier, call the fire department.

Failure to follow these instructions could result in fire or explosion, which could cause property damage, personal injury, or death.

- Installation and service must be performed by a qualified installer, service agency, or the gas supplier.

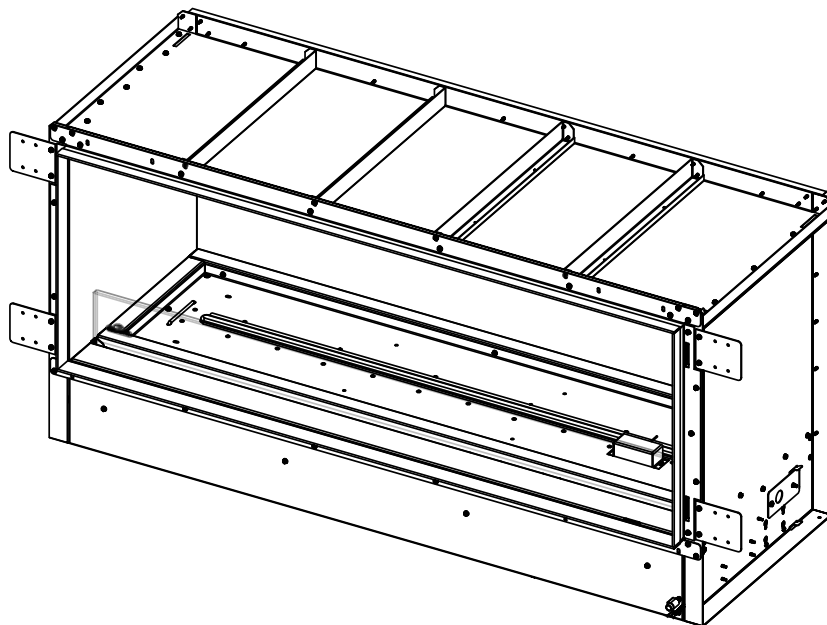
This appliance is only for use with the type of gas indicated on the rating plate. This appliance is not convertible for use with other gases, unless a certified kit is used.

INSTALLER:

Leave this manual with the appliance

CONSUMER:

Retain this manual for future reference



FOR OUTDOOR USE ONLY

CERTIFIED TO THE CANADIAN AND AMERICAN NATIONAL STANDARDS:
ANSI Z21.97 AND CSA 2.41 FOR OUTDOOR DECORATIVE GAS APPLIANCES

<p>DANGER</p>	<p>CARBON MONOXIDE HAZARD</p> <p>This appliance can produce carbon monoxide which has no odor.</p>
	<p>Using it in an enclosed space can kill you.</p> <p>Never use this appliance in an enclosed space such as a camper, tent, car or home.</p>

DECORATIVE PRODUCT: NOT FOR USE AS A HEATING APPLIANCE.

APPLY SERIAL NUMBER LABEL FROM CARTON

Serial No. XXXXX00000

MODEL NO.



Wolf Steel Ltd., 24 Napoleon Rd., Barrie, ON, L4M 0G8 Canada / 103 Miller Drive, Crittenden, Kentucky, USA, 41030
Phone 1 (866) 820-8686 • www.napoleon.com • hearth@napoleon.com

⚠ DANGER! FLAMMABLE GAS UNDER PRESSURE.
LEAKING LP-GAS MAY CAUSE A FIRE OR EXPLOSION
IF IGNITED CAUSING SERIOUS BODILY INJURY OR DEATH.
CONTACT LP GAS SUPPLIER FOR REPAIRS, OR DISPOSAL OF THIS
CYLINDER OR UNUSED LP-GAS.

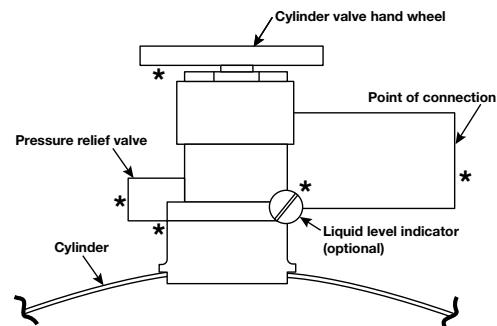
⚠ WARNING! FOR OUTDOOR USE ONLY. *
DO NOT USE OR STORE CYLINDER IN A BUILDING, GARAGE, OR
ENCLOSED AREA.

⚠ WARNING:

- Know the odour of LP-gas. If you hear, see, or smell leaking LP-gas, immediately get everyone away from the cylinder and call the Fire Department. Do not attempt repairs.
- Caution your LP-gas supplier to:
 - (a) be certain cylinder is purged of trapped air prior to first filling;
 - (b) be certain not to overfill the cylinder;
 - (c) be certain cylinder requalification date is checked.
- LP-gas is heavier than air and may settle in low places while dissipating.
- Contact with the liquid contents of cylinder will cause freeze burners to the skin.
- Do not allow children to tamper or play with cylinder.
- When not connected for use, keep cylinder valve turned off. Self-contained appliances shall be limited to a cylinder of 30lb capacity or less.
- Do not use, store, or transport cylinder where it would be exposed to high temperatures. Relief valve may open allowing a large amount of flammable gas to escape.
- When transporting, keep cylinder secured in an upright position with cylinder valve turned off.

WHEN CONNECTING FOR USE:

- Use only in compliance with applicable codes.
- Read and follow manufacturer's instructions.
- Consult manufacturer's instructions concerning the cylinder connection provided with your appliance.
- Be sure regulator vent is not pointing up.
- Turn off all valves on the appliance.
- Do not check for gas leaks with a match or open flame. Apply soapy water at areas marked "X". Open cylinder valve. If bubble appears, close valve and have LP-gas service person make needed repairs. Also, check appliance valves and connections to make sure they do not leak before lighting appliance.
- Light appliance(s) following manufacturer's instructions.
- When appliance is not in use, keep the cylinder valve closed.



! WARNING

- **This appliance is hot when operated and can cause severe burns if contacted.**
- **Any changes or alterations to this appliance or its controls can be dangerous and is prohibited.**
- Do not operate appliance before reading and understanding operating instructions. Failure to operate appliance according to operating instructions could cause fire or injury.
- Ensure the glass door is opened or removed when lighting the pilot for the first time and when the gas supply has run out.
- Risk of fire or asphyxiation, do not operate appliance with fixed glass removed and never obstruct the front opening of the appliance.
- Do not connect 110 volts to the control valve, with the exception of models; GSST8 and GT8.

DANGER

HOT GLASS WILL CAUSE BURNS.

DO NOT TOUCH GLASS UNTIL COOLED.


NEVER ALLOW CHILDREN TO TOUCH GLASS.



A barrier designed to reduce the risk of burns from the hot viewing glass is provided with this appliance and must be installed for the protection of children and other at-risk individuals.

- Risk of burns. The appliance should be turned off and cooled before servicing.
- Do not install damaged, incomplete or substitute components.
- Risk of cuts and abrasions. Wear protective gloves, protective footwear, and safety glasses during installation. Sheet metal edges may be sharp.
- Do not burn wood or other materials in this appliance.
- Provide adequate ventilation and combustion air. Provide adequate accessibility clearance for servicing and operating the appliance.
- High pressure will damage valve. Disconnect gas supply piping before pressure testing gas line at test pressures above 1/2 psig. Close the manual shut-off valve before pressure testing gas line at test pressures equal to or less than 1/2 psig (35mb).
- The appliance must not be operated at temperatures below freezing (32°F / 0°C). Allow the appliance to warm to above freezing prior to operation, with the exception of models; GSS36, GSS42; these appliances are suitable for 0°F / -18°C.
- **Children and adults should be alerted to hazards of high surface temperature and should stay away to avoid burns or clothing ignition.**
- **Young children should be carefully supervised when they are in the same room as the appliance. Toddlers, young children and others may be susceptible to accidental contact burns. A physical barrier is recommended if there are at risk individuals in the house. To restrict access to an appliance or stove, install an adjustable safety gate to keep toddlers, young children and other at risk individuals out of the room and away from hot surfaces.**
- **Clothing or other flammable material should not be placed on or near the appliance.**
- **Due to high temperatures, the appliance should be located out of traffic and away from furniture and draperies.**
- Furniture or other objects must be kept a minimum of 4 feet (1.22m) away from the front of the appliance.
- Ensure you have incorporated adequate safety measure to protect infants/toddlers from touching hot surfaces.
- Even after the appliance is off, it will remain hot for an extended period of time.
- Check with your local hearth specialty dealer for safety screens and hearth guards to protect children from hot surfaces. These screens and guards must be fastened to the floor.
- **Any safety screen, guard or barrier removed for servicing the appliance, must be replaced prior to operating the appliance.**
- It is imperative that the control compartments, burners and circulating blower and its passageway in the appliance and venting system are kept clean. The appliance and its venting system should be inspected before use and at least annually by a qualified service person. More frequent cleaning may be required due to excessive lint from carpeting, bedding material, etc. The appliance area must be kept clear and free from combustible materials, gasoline and other flammable vapors and liquids.
- If the appliance shuts off, do not re-light until you provide fresh air. If appliance keeps shutting off, have it serviced. Keep burner and control compartment clean.
- Under no circumstances should this appliance be modified.
- Do not allow wind or fans to blow directly into the appliance. Avoid any drafts that alter burner flame patterns.

WARNING


- Do not use a blower insert, heat exchanger insert or other accessory not approved for use with this appliance.
- This appliance must not be connected to a chimney flue pipe serving a separate solid fuel burning appliance.
- Do not use this appliance if any part has been under water. Immediately call a qualified service technician to inspect the appliance and to replace any part of the control system and any gas control which has been under water.
- Do not operate the appliance with the glass door removed, cracked or broken. Replacement of the glass should be done by a licensed or qualified service person, if equipped.
- Do not strike or slam shut the appliance glass door, if equipped.
- **Only doors / optional fronts certified with the appliance are to be installed on the appliance.**
- Keep the packaging material out of reach of children and dispose of the material in a safe manner. As with all plastic bags, these are not toys and should be kept away from children and infants.
- Carbon or soot should not occur in a vent free appliance as it can distribute into the living area of your home. If you notice any signs of carbon or soot, immediately turn off your appliance and arrange to have it serviced by a qualified technician before operating it again.
- If equipped, the screen must be in place (closed) when the appliance is in operation.
- When equipped with pressure relief doors, they must be kept closed while the appliance is operating to prevent exhaust fumes containing carbon monoxide, from entering into the home. Temperatures of the exhaust escaping through these openings can also cause the surrounding combustible materials to overheat and catch fire.
- Carbon monoxide poisoning may lead to death; early signs of carbon monoxide poisoning resemble the flu, with headache, dizziness and/or nausea. If you have these signs, the appliance may not be working properly. Get fresh air at once! Have appliance serviced. Some people; pregnant women, persons with heart or lung disease, anemia, those under the influence of alcohol, those at high altitudes are more affected by carbon monoxide than others. Failure to keep the primary air opening(s) of the burner(s) clean may result in sooting and property damage.
- As with any combustion appliance, we recommend having your appliance regularly inspected and serviced as well as having a Carbon Monoxide Detector installed in the same area to defend you and your family against Carbon Monoxide (not applicable for outdoor appliances).
- Ensure clearances to combustibles are maintained when building a mantel or shelves above the appliance. Elevated temperatures on the wall or in the air above the appliance can cause melting, discolouration or damage to decorations, a TV or other electronic components.
- **For appliances equipped with a safety barrier; if the barrier becomes damaged, the barrier shall be replaced with the manufacturer's barrier for this appliance.**
- **Installation and repair should be done by a qualified service person. It is imperative that control compartments, burners and circulating air passageways of the appliance be kept clean.**
- For outdoor products only: this appliance must not be installed indoors or within any structure that prevents or inhibits the exhaust gases from dissipating in the outside atmosphere.
- If applicable, the millivolt version of this appliance uses and requires a fast acting thermocouple. Replace only with a fast acting thermocouple supplied by Wolf Steel Ltd.

 WARNING: This product can expose you to chemicals including lead and lead compounds, which are known to the State of California to cause cancer, and chemicals including carbon monoxide, which are known to the State of California to cause birth defects or other reproductive harm. For more information, go to www.P65Warnings.ca.gov.

 **WARNING** 

FIRE RISK HAZARD / DELAYED IGNITION

High supply pressure will damage the valve / controls.



Disconnect the appliance main gas valve/control from the supply piping when pressure testing that system at pressures in excess of 1/2 psi (3.5 kPa).

Isolate the appliance with its shut off valve during any pressure testing of the supply piping at pressures equal to or less than 1/2 psi (3.5 kPa).

1.0	general information	6
1.1	combustion and ventilation air	6
1.2	rates and efficiencies	7
1.3	general instructions	7
1.4	hardware list	8
1.5	rating plate information	8
2.0	dimensions	9
2.1	GSS48E	9
2.2	GSS48STE	10
3.0	location	11
4.0	framing	12
4.1	minimum framing dimensions	13
4.1.1	front view	13
4.1.2	rear view	13
4.2	nailing tabs	14
4.3	clearance to combustible	14
4.4	minimum enclosure clearances (GSS48E - one sided)	15
4.5	minimum enclosure clearances (GSS48STE - see through)	16
4.6	minimum mantel clearances	17
4.7	drain installation (recommended)	17
5.0	trim installation (optional)	18
6.0	electrical information	21
6.1	hard-wiring installation	21
6.2	wiring diagram	23
6.3	LED light wiring diagram	23
6.4	transmitter installation and operation	24
6.5	control module operation	25
6.6	LED light operation	25
7.0	gas installation	26
7.1	gas hook-up	26
7.2	propane cylinder specifications	26
7.3	propane gas cylinder mounting	27
7.3.1	propane cylinder retaining bracket	27
7.4	enclosures for propane gas supply systems	28
8.0	finishing	29
8.1	glass ember installation	29
8.2	rock kit installation (optional)	29
9.0	operation	30
10.0	maintenance / cleaning instructions	32
10.1	electrical internal access	34
11.0	replacement parts	38
11.1	overview	39
12.0	troubleshooting	41
13.0	warranty	43

note:

The information throughout this manual is believed to be correct at the time of printing. Wolf Steel Ltd. reserves the right to change or modify any information within this manual at any time without notice. Changes, other than editorial are denoted by a vertical line in the margin.

general information

Installer, please fill out the following information:

Customer: _____
 Address: _____
 Date of Installation: _____
 Location of Appliance: _____
 Installer: _____
 Dealer/Distributor Contact Number: _____
 Serial #: _____

Model:

Natural Gas: GSS48NE
 GSS48STNE

Propane: GSS48PE
 GSS48STPE

1.0 general information

When the appliance is installed at elevations above 4,500ft (1372m), and in the absence of specific recommendations from the local authority having jurisdiction, the certified high altitude input rating shall be reduced at the rate of 4% for each additional 1,000ft (305m). Expansion / contraction noises during heating up and cooling down cycles are normal and to be expected. Change in flame appearance from “HI” to “LO” is more evident in natural gas than in propane.

It is highly recommended to protect the logs (if equipped) from moisture (i.e. rain, snow). Cover the enclosure opening when not in use.

This appliance is only for use with the type of gas indicated on the rating plate. This appliance is not convertible for use with other gases, unless a certified kit is used.

The protective wrap on plated parts is best removed when the assembly is at room temperature but this can be improved if the assembly is warmed, using a hair dryer or similar heat source. The protective wrap must be removed before operating the appliance.

This appliance is a decorative product. It is not a source of heat and not intended to burn solid fuel.



Batteries must be disposed of according to the local laws and regulations. Some batteries may be recycled, and may be accepted for disposal at your local recycling center. Check with your municipality for recycling instructions.

1.1 combustion and ventilation air

This appliance is intended for installation on an outdoor patio or in your yard. It must never be installed inside the warm air envelope of your structure.

It is highly recommended that this appliance be installed in a “sheltered” area. Direct wind will cause an erratic flame and possible pilot or main burner outage.

An erratic flame could also lead to excessive carboning (black soot) which is not a safety issue but is visually undesirable.

Typical installation may include covered patio, screened porch, gazebo or on an outside wall of a house.

If installing a propane appliance, the propane cylinder must always be on the exterior of such a structure.

Ensure the area has adequate ventilation.

important:

Some components and/or media are packaged separately and must be installed in accordance with the information in this manual.

1.2 rates and efficiencies

For your satisfaction, this appliance has been test-fired to assure its operation and quality.

	Natural Gas	Propane
Altitude (FT)	0-4,500	
Max. Input (BTU/HR)	55,000	53,500
Min. Inlet Gas Supply Pressure	4.5" w.c. (1.12kPA)	
Max. Inlet Gas Supply Pressure	7" w.c. (1.74 kPA)	13" w.c. (3.23 kPA)
Manifold Pressure (Under Flow Conditions)	3.5" w.c. (0.87 kPA)	10" w.c. (2.49 kPA)

1.3 general instructions

WARNING

- Never obstruct the front opening of the appliance.
- Objects placed in front of the appliance must be kept a minimum of 48" (121.9cm) from the front face of the appliance.
- Fire risk. Explosion hazard.
- High pressure will damage valve. Disconnect gas supply piping before pressure testing gas line at test pressures above 1/2 PSIG. Close the manual shut-off valve before pressure testing gas line at pressures equal to or less than 1/2PSIG (35mb).
- Use only Wolf Steel approved optional accessories and replacement parts with this appliance. Using non-listed accessories (blowers, doors, louvres, trims, gas components, venting components, etc.) could result in a safety hazard and will void the warranty and certification.

THIS GAS APPLIANCE SHOULD BE INSTALLED AND SERVICED BY A QUALIFIED INSTALLER to conform with local codes. Installation practices vary from region to region and it is important to know the specifics that apply to your area, for example in Massachusetts State:

- The appliance off valve must be a "T" handle gas cock.
- The flexible connector must not be longer than 36" (91.4cm).

The installation must conform with local codes or, in absence of local codes, the National Gas and Propane Installation Code CSA B149.1 in Canada, or the National Fuel Gas Code, ANSI Z223.1 / NFPA 54 in the United States.

The appliance and its individual shutoff valve must be disconnected from the gas supply piping system during any pressure testing of that system at test pressures in excess of 1/2 psig (35 mb). The appliance must be isolated from the gas supply piping system by closing its individual manual shutoff valve during any pressure testing of the gas supply piping system at test pressures equal to or less than 1/2 psig (35 mb). When installed with a blower or fan, the junction box must be electrically connected and grounded in accordance with local codes. In the absence of local codes, use the current CSA C22.1 Canadian Electrical Code in Canada or the ANSI / NFPA 70 National Electric Code in the United States. In the case where the blower is equipped with a power cord it must be connected into a properly grounded receptacle. The grounding prong must not be removed from the cord plug.

When the appliance is installed directly on combustible material other than wood flooring, the appliance shall be installed on a metal or wood panel extending the full width and depth.

Solid fuels shall not be burned in this appliance.

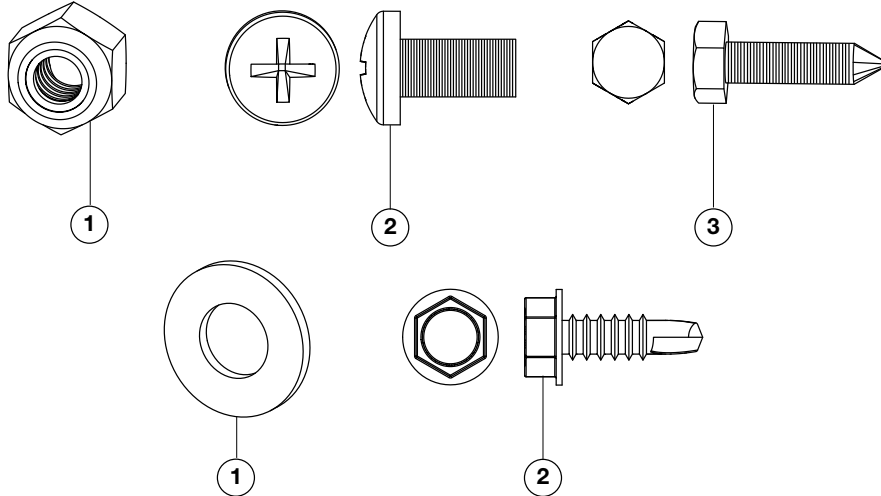


We suggest that our gas hearth products be installed and serviced by professionals who are certified in the U.S. by the National Fireplace Institute® (NFI) as NFI Gas Specialists

www.nficertified.org

general information

1.4 hardware list



	DESCRIPTION	PART NUMBER	QUANTITY
1	Nut, Hex 1/4-20	W450-0032	1
2	Screw, Robertson 1/4-2	W570-0047	1
3	Screw, Lag 1/4-1	W570-0059	1
4	Washer, Plate 1/2"	W735-0003	1
5	Screw, Hex 8-1/2	N570-0008	32

note:
Only fasteners supplied with the appliance are illustrated.

1.5 rating plate information

CAUTION: THE GAS PRESSURE REGULATOR PROVIDED WITH THIS APPLIANCE MUST BE USED. THIS REGULATOR IS SET FOR AN OUTLET PRESSURE OF 3.5 INCHES WATER COLUMN FOR NG AND 10 INCHES WATER COLUMN FOR PROPANE. THE GAS SUPPLY MUST BE TURNED OFF AT THE PROPANE-GAS SUPPLY CYLINDER WHEN THIS APPLIANCE IS NOT IN USE. DO NOT STORE OR USE GASOLINE OR OTHER FLAMMABLE VAPOURS AND LIQUIDS IN THE VICINITY OF THIS OR ANY OTHER APPLIANCE. AN PROPANE-CYLINDER NOT CONNECTED FOR USE SHALL NOT BE STORED IN THE VICINITY OF THIS OR ANY OTHER APPLIANCE. DO NOT CONNECT TO A REMOTE GAS SUPPLY IMPROPER INSTALLATION, ADJUSTMENT, ALTERATION, SERVICE OR MAINTENANCE CAN CAUSE INJURY OR PROPERTY DAMAGE. READ THE INSTALLATION, OPERATING AND MAINTENANCE INSTRUCTIONS THOROUGHLY BEFORE INSTALLING OR SERVICING THIS EQUIPMENT. REFER TO THE OWNER'S MANUAL PROVIDED WITH THIS APPLIANCE. FOR ASSISTANCE OR ADDITIONAL INFORMATION, CONSULT A QUALIFIED INSTALLER, SERVICE AGENCY OR GAS SUPPLIER. MUST NOT BE USED FOR COOKING. FOR OUTDOOR USE ONLY. IF STORED INDOORS, DETACH AND LEAVE CYLINDER OUTDOORS.

ATTENTION: LE RÉGULATEUR DE PRESSION DE GAZ FOURNI AVEC CET APPAREIL DOIT ÊTRE UTILISÉ. CE RÉGULATEUR EST RÉGLÉ POUR UNE PRESSION DE SORTIE DE 3,5 POUCES D'UNE COLONNE D'EAU POUR NG ET 10 POUCES D'UNE COLONNE D'EAU POUR PROPANE. LORSQUE CET APPAREIL N'EST PAS UTILISÉ, VOUS DEVEZ FERMER LA VANTONNE EN GAZ SUR LA BONBONNE DE PROPANE. N'ENTRÉPOSEZ PAS ET N'UTILISEZ PAS D'ESSENCE OU AUTRES LIQUIDES ET VAPEURS INFLAMMABLES À PROXIMITÉ DE CET APPAREIL, OU TOUT AUTRE APPAREIL. UNE BOUTEILLE DE PROPANE QUI N'EST PAS RACCORDÉE EN VUE DE SON UTILISATION, NE DOIT PAS ÊTRE ENTRÉPOSÉE DANS LE VOISINAGE DE CET APPAREIL, OU DE TOUT AUTRE APPAREIL. NE CONNEXEZ PAS À UNE FOURNITURE DE GAZ À DISTANCE. UNE INSTALLATION NON CONFORME, DES AJUSTEMENTS, DES ALTEATIONS, UN SERVICE OU UN ENTRETIEN INADÉQUATS PEUVENT CAUSER DES DOMMAGES À LA PROPRIÉTÉ OU DES BLESSURES CORPORELLES. VEUILLEZ LIRE ATTENTIVEMENT LES INSTRUCTIONS D'INSTALLATION, D'UTILISATION ET D'ENTRETIEN AVANT D'INSTALLER, OU DE RÉPARER CE MATÉRIEL. RÉFÉREZ-VOUS AU MANUEL D'INSTRUCTIONS FOURNI AVEC CET APPAREIL, POUR DE L'ASSISTANCE OU POUR PLUS D'INFORMATION, CONSULTEZ UN INSTALLATEUR QUALIFIÉ, UNE AGENCE D'ENTRETIEN OU LE FOURNISSEUR DE GAZ. NE PAS UTILISER POUR LA CUISSON, POUR L'USAGE EXTÉRIEUR SEULEMENT. SI ENTREPOSÉ À L'INTÉRIEUR, DETACHER LA BONBONNE DE PROPANE ET LA LAISSER À L'EXTÉRIEUR.

NOT FOR USE WITH SOLID FUEL / UN COMBUSTIBLE SOLIDE NE DOIT PAS ÊTRE UTILISÉ AVEC CET APPAREIL

WARNING: THIS REPLACEMENT AND REQUIRES A FAST ACTING THERMOCOUPLE. REPLACE ONLY WITH A FAST ACTING THERMOCOUPLE SUPPLIED BY WOLF STEEL LTD. DO NOT ADD ANY MATERIAL TO THE APPLIANCE, WHICH WILL COME IN CONTACT WITH THE FLAMES, OTHER THAN THAT SUPPLIED BY THE MANUFACTURER WITH THE APPLIANCE. MINIMUM CLEARANCE TO COMBUSTIBLE MATERIALS: /

AVERTISSEMENT: CE FOYER UTILISE ET REQUIERT UN THERMOCOUPLE À ACTION RAPIDE. REMPLACEZ UNiquement UN THERMOCOUPLE À ACTION RAPIDE FOURNI PAR WOLF STEEL LTD. NE AJOUTEZ PAS À CET APPAREIL AUCUN MATÉRIEL DEVANT ÊTRE EN CONTACT AVEC LES FLAMMES AUTRE QUE CELUI QUI EST FOURNI AVEC CET APPAREIL PAR LE FABRICANT. DÉGAGEMENTS MINIMUMS AUX MATÉRIELS COMBUSTIBLES: /

CEILING / PLAFOND 36" SIDES / CÔTÉS 6"
FLOOR / SOL 6" BACK / ARRIÈRE 6"

SEE INSTALLATION INSTRUCTIONS FOR FRAMING CLEARANCES. / POUR LES DÉGAGEMENTS AUX MATÉRIELS D'OSSATURE, VOIR LE MANUEL D'INSTRUCTIONS.

MANIFOLD PRESSURE: 3.5" (0.879PA) WATER COLUMN
PRESSION AU COLLECTEUR: 3.5" (0.879PA) D'UNE COLONNE D'EAU
MINIMUM SUPPLY PRESSURE: 4.5" (1.099PA) WATER COLUMN
PRESSION D'ALIMENTATION MINIMALE: 4.5" (1.099PA) D'UNE COLONNE D'EAU
MAXIMUM SUPPLY PRESSURE: 7.0" (1.749PA) WATER COLUMN
PRESSION D'ALIMENTATION MAXIMALE: 7.0" (1.749PA) D'UNE COLONNE D'EAU

For natural gas when equipped with No. 25 orifices only.
Pas propane when equipped with No. 45 orifices only.

MODEL: GSS48N GSS48STN GSS48P GSS48TP

ALTITUDE/ELEVATION: 0-4500 FT (0-1370m) / 0-1370 FT (0-4170m)
REDUCED INPUT / ALIMENTATION RÉDUITE: 40,000 BTU/H (11,74W) / 40,000 BTU/H (11,74W)

MANIFOLD PRESSURE: 10" (2.489PA) WATER COLUMN
PRESSION AU COLLECTEUR: 10" (2.489PA) D'UNE COLONNE D'EAU
MINIMUM SUPPLY PRESSURE: 11" (2.749PA) WATER COLUMN
PRESSION D'ALIMENTATION MINIMALE: 11" (2.749PA) D'UNE COLONNE D'EAU
MAXIMUM SUPPLY PRESSURE: 15" (3.239PA) WATER COLUMN
PRESSION D'ALIMENTATION MAXIMALE: 15" (3.239PA) D'UNE COLONNE D'EAU

Convenient au gaz naturel quand l'appareil est muni d'un injecteur de diamètre no. 25.
Convient au propane quand l'appareil est muni d'un injecteur de diamètre no. 45.

DANGER CARBON MONOXIDE HAZARD
This appliance can produce carbon monoxide which can be lethal.
Using it in an enclosed space can kill you.
Ne pas utiliser cet appareil dans un espace clos sans ventilation à l'air.

DANGER MONOXYDE DE CARBONE
Cet appareil peut produire des monoxyde de carbone, un gaz mortel.
L'utilisation de cet appareil dans un espace clos peut entraîner la mort.
Ne jamais utiliser cet appareil dans un espace clos sans ventilation à l'air.

CERTIFIED UNDER / HOMOLOGUE SELON LES NORMES: ANSI Z21.97-2017 - CSA 2.41-2017. OUTDOOR GAS FIREPLACE / FOYER AU GAZ EXTÉRIEUR

REF. NO. 161746 4001659 (WUSA)
NO. DE RÉF. 161746 4001659 (WUSA)

WOLF STEEL LTD.
24 NAPOLEON ROAD, BARRIE, ON, L4M 0G8 CANADA

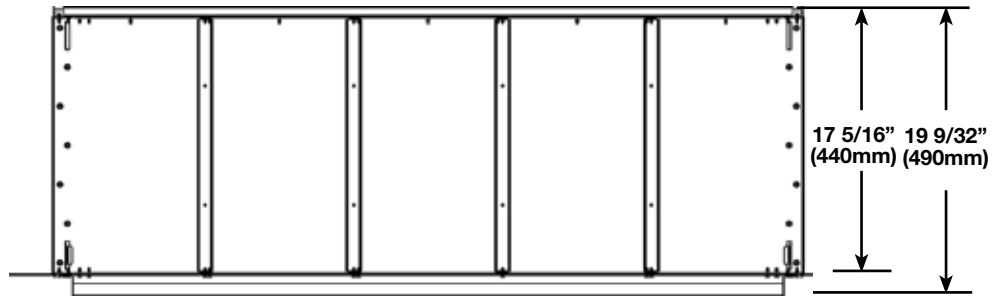
SERIAL NUMBER/NO. DE SÉRIE: GSS48 W385-2983

This illustration is for reference only. Refer to the rating plate on the appliance for accurate information.

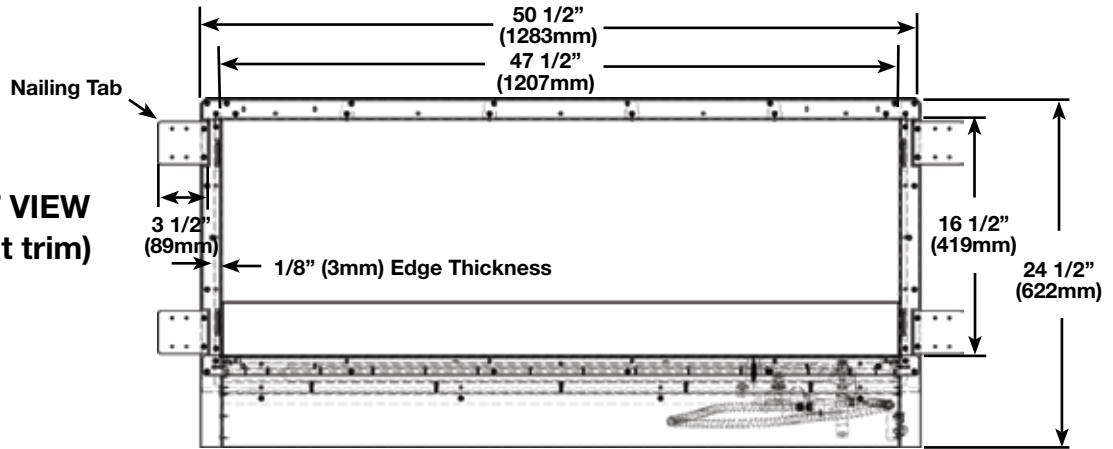
note:
The rating plate must remain with the appliance at all times. It must not be removed.

2.1 GSS48E

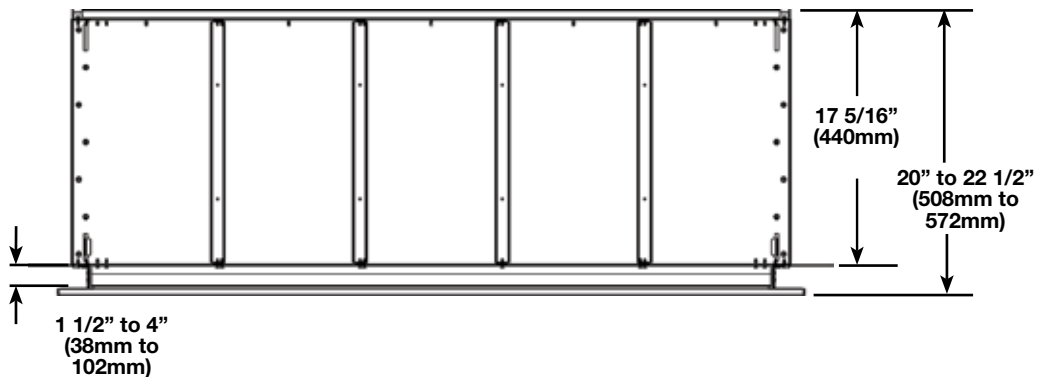
**TOP VIEW
(without trim)**



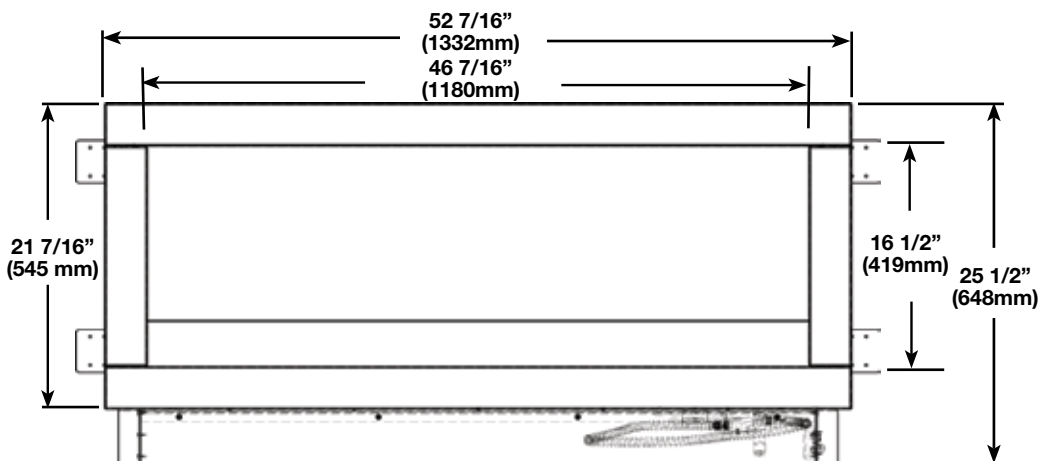
**FRONT VIEW
(without trim)**



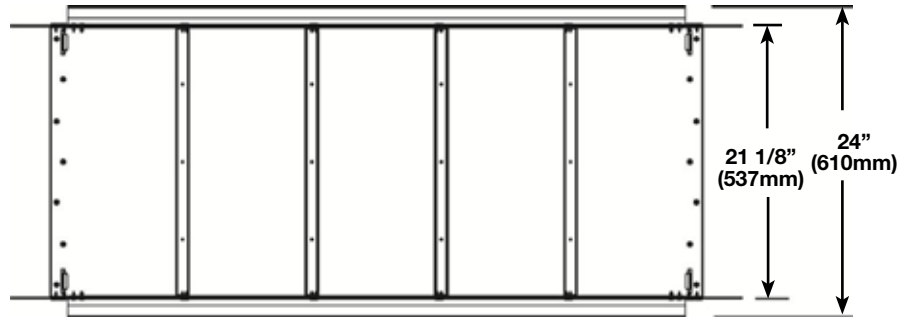
**TOP VIEW
(with trim)**



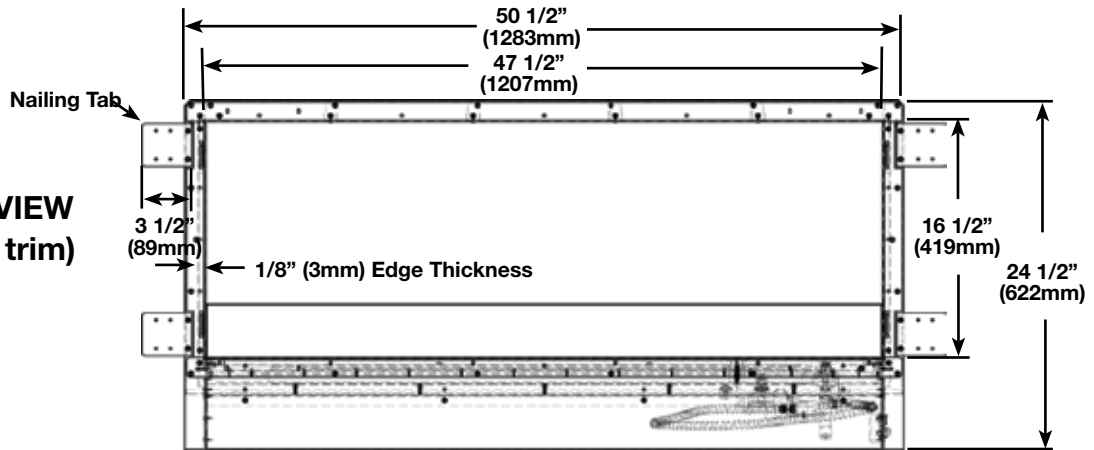
**FRONT VIEW
(with trim)**



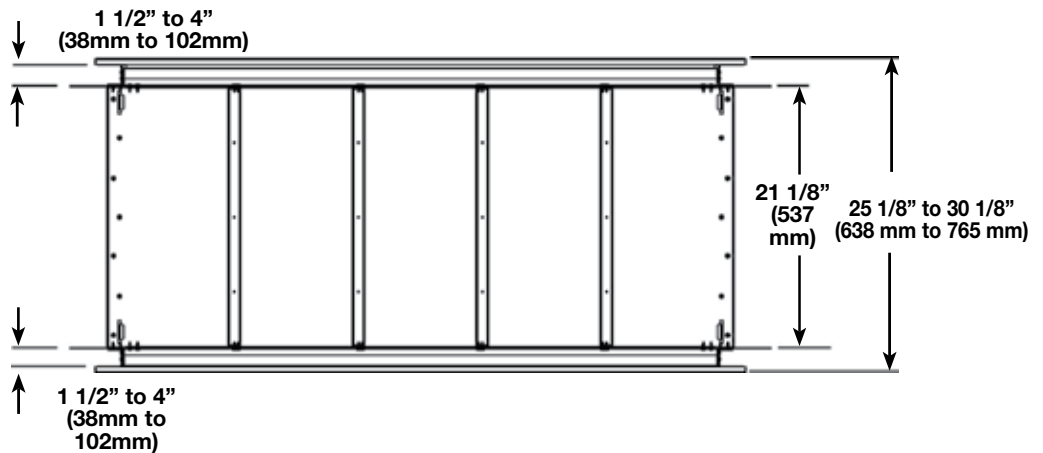
**TOP VIEW
(without trim)**



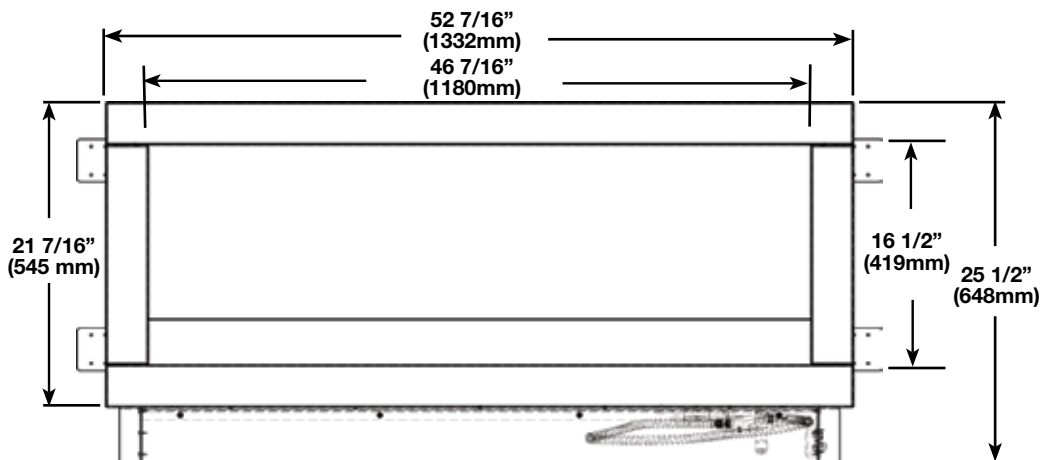
**FRONT VIEW
(without trim)**



**TOP VIEW
(with trim)**



**FRONT VIEW
(with trim)**



It is important when selecting a location for your appliance to ensure clearances to adjacent combustibles are met. This appliance is intended for installation on an outdoor patio or in your yard. It is highly recommended that this appliance be installed in a sheltered area (following the guidelines outlined below). Direct wind will cause an erratic flame and possible pilot or main burner outage. An erratic flame could also lead to excessive carboning (black soot), which is not a safety issue but is visually undesirable.

note:

When choosing a location for your appliance, care must be taken to avoid areas where excessive moisture or running water may be a problem.

Any enclosure (shelter) in which the appliance is used must comply with one of the following:

With walls on all sides, but at least one permanent opening at ground level and no overhead cover (**Fig. 1**).

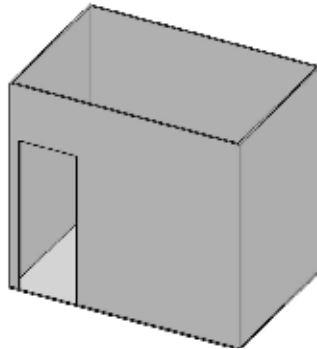


Fig. 1

Within a partial enclosure which includes an overhead cover and no more than two sidewalls. These sidewalls may be parallel, as in a breezeway, or at right angles to each other (**Fig. 2**).

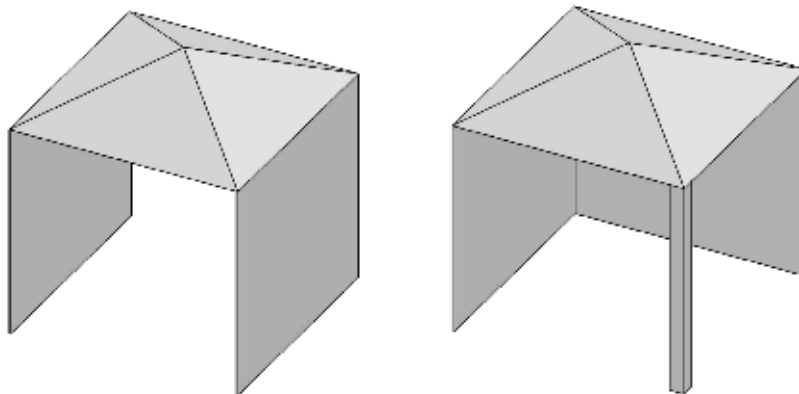


Fig. 2

Within a partial enclosure which includes an overhead cover and three sidewalls, as long as 30 percent or more of the horizontal periphery of the enclosure is permanently open (**Fig. 3**).

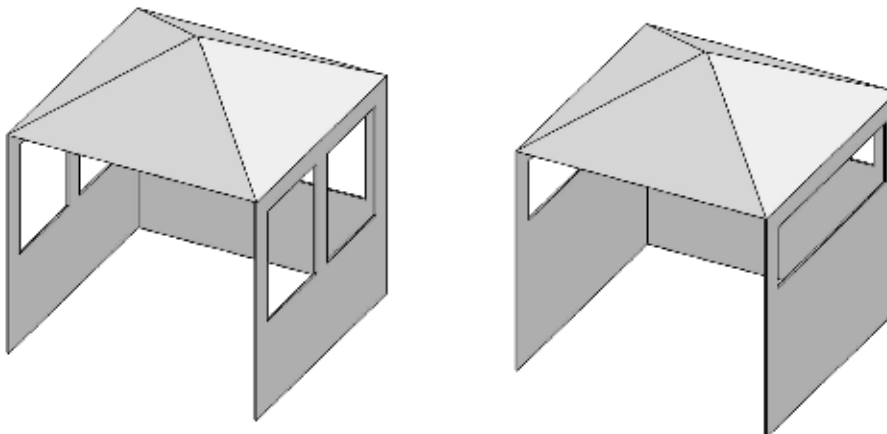


Fig. 3

4.0 framing

note:

When using optional finishing accessories, the framing dimensions and finishing materials may differ from what is outlined in the section below; refer to the leaflet instructions supplied in the accessory kit for specific framing and finishing specifications.

WARNING

- Risk of fire!
- In order to avoid the possibility of exposed insulation or vapour barrier coming in contact with the appliance body, it is recommended that the walls of the appliance enclosure be “finished” (i.e. drywall / sheetrock), as you would finish any other outside wall of a home. This will ensure that clearance to combustibles is maintained within the cavity.
- Do not notch the framing around the appliance stand offs. Failure to maintain air space clearance may cause over heating and fire. Prevent contact with sagging or loose insulation or framing and other combustible materials. Block opening into the chase to prevent entry of blown-in insulation. Make sure insulation and other materials are secured.
- When constructing the enclosure, allow for finishing material thickness to maintain clearances. Framing or finishing material closer than the minimums listed must be constructed entirely of non-combustible materials. Materials consisting entirely of steel, iron, brick, tile, concrete, slate, glass or plasters, or any combination thereof are suitable. Materials that are reported as passing ASTM E136, standard test method for behaviour of materials in a vertical tube furnace at 1382°F (750°C) and UL763 shall be considered non-combustible materials.
- Minimum clearance to combustibles must be maintained or a serious fire hazard could result.
- The appliance requires a minimum enclosure height. Measure from the appliance base.
- If steel stud framing kits with cement board are provided, or specified in the installation instructions, they must be installed.
- If specified in the installation instruction, finishing must be done using a non-combustible board, ceramic tile, marble, etc. Do **NOT** use wood or drywall. Any fire rated drywall is **not** acceptable.

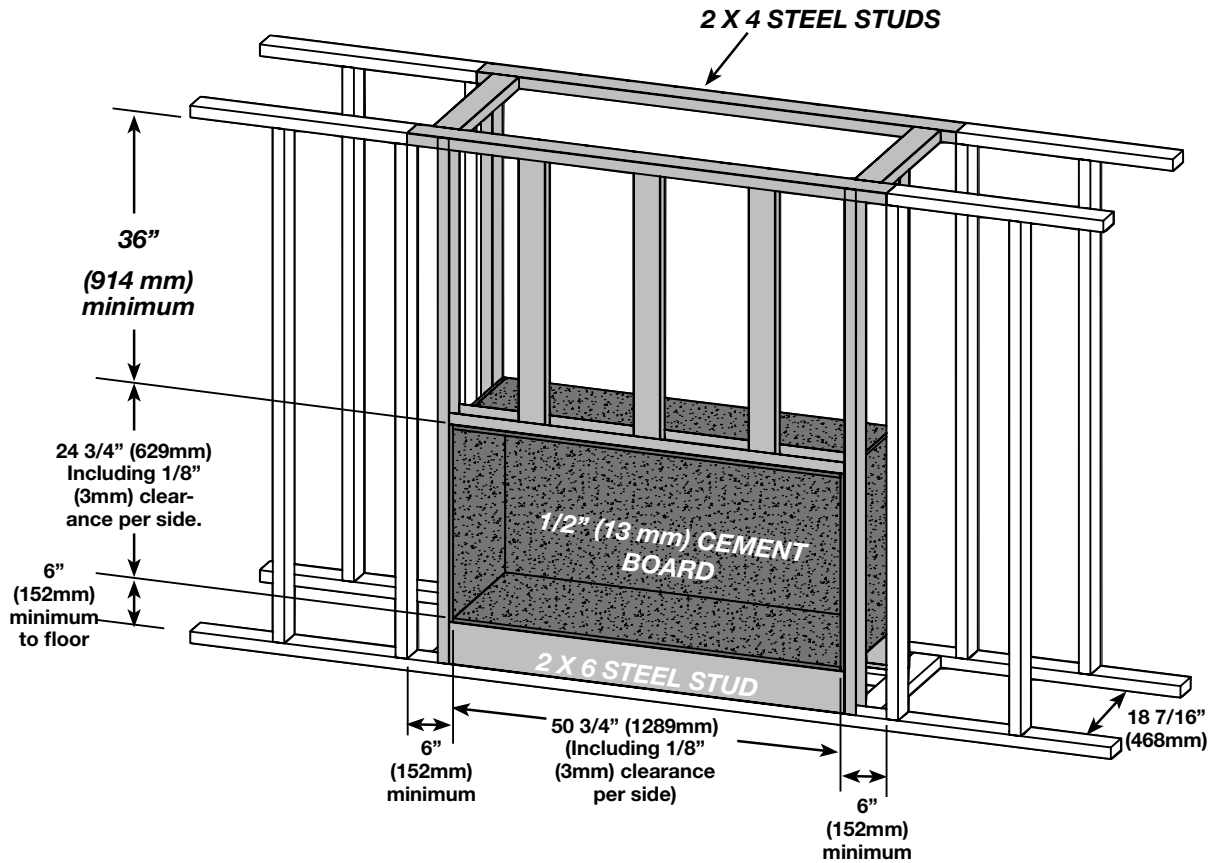
It is recommended that the walls of the appliance enclosure be finished. This would ensure that clearance to combustibles is maintained within the cavity. It is best to frame your appliance after it is positioned. Use 2x4's and frame to local building codes.

4.1 minimum framing dimensions

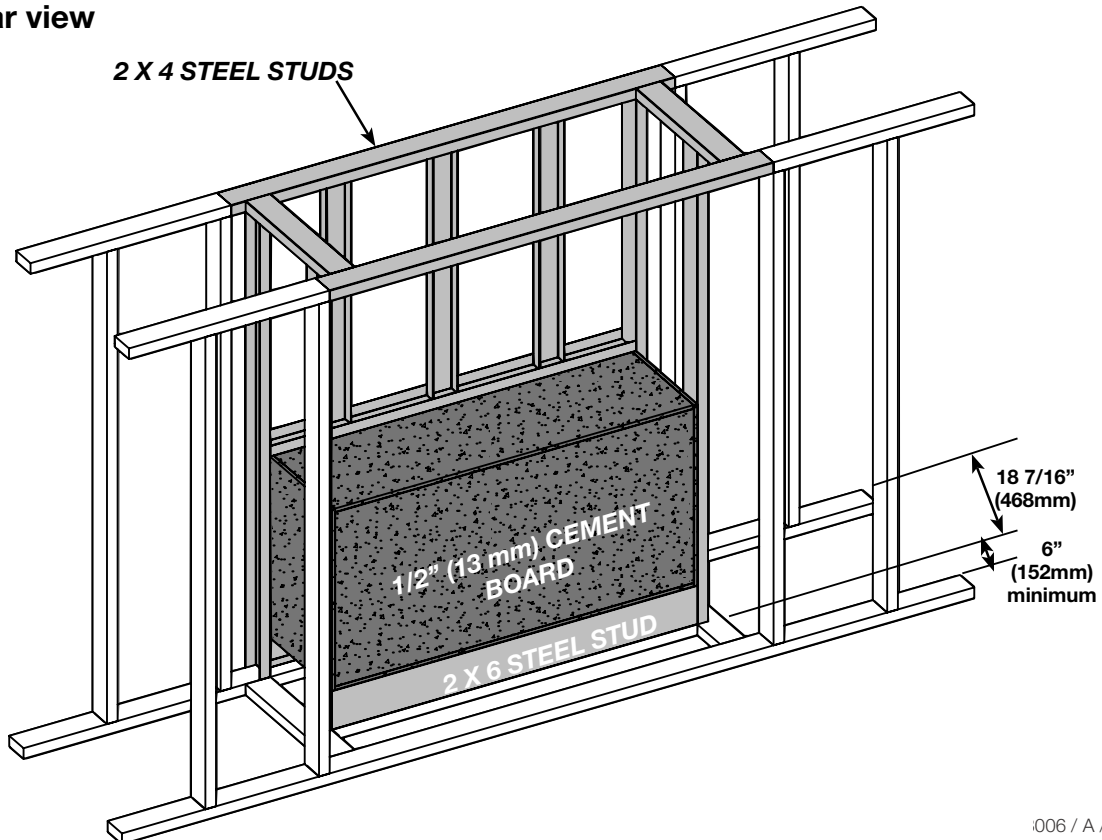
note:

Minimum clearance to the ceiling does not apply when the appliance is installed with no overhead construction.

4.1.1 front view



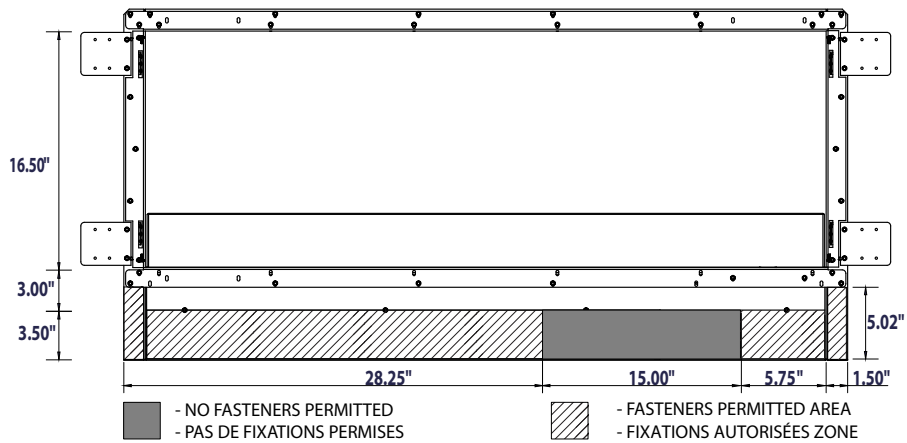
4.1.2 rear view



framing

4.2 nailing tabs

To install the appliance face flush with the finished surface, position the framework to accommodate the thickness of the finished surface. Screw the nailing tab to either side of the appliance and secure to the 2 x 4 steel framing. The tabs will facilitate the installation of either a 1/2" (13mm) or 3/4" (19mm) finished surface thickness.

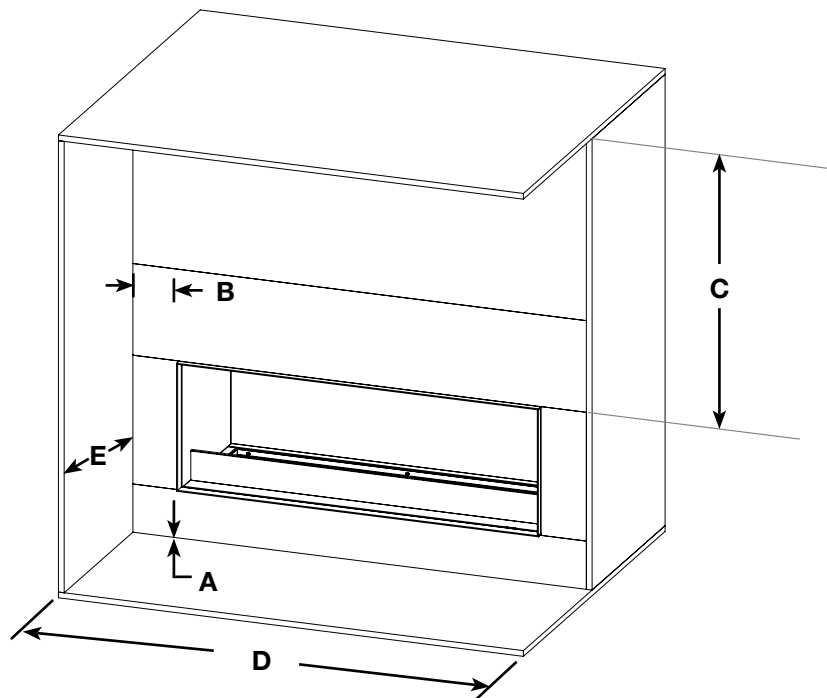


4.3 clearance to combustibles

! WARNING

- Minimum clearance to combustibles must be maintained or a serious fire hazard could result.

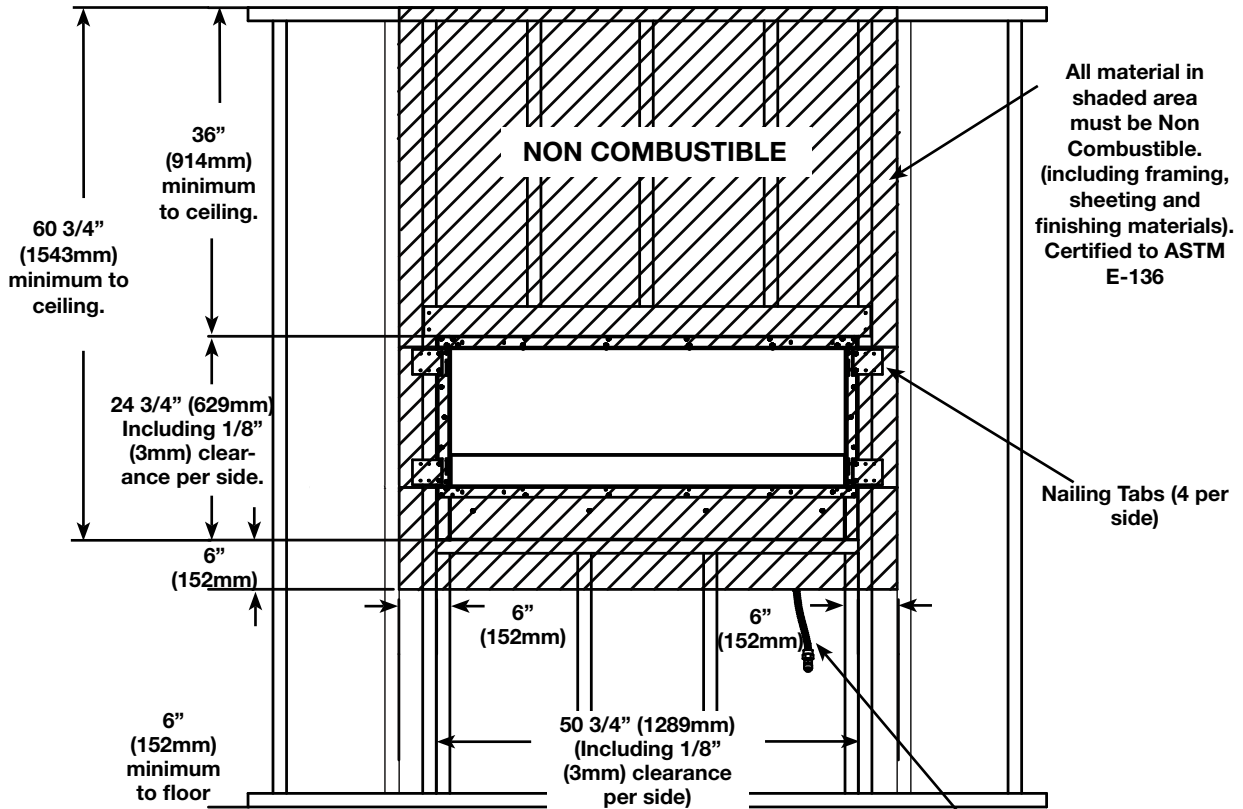
Minimum Clearance To Combustibles		
	Clearance	Dimension
A	From Ground or other surface	6" (152 mm)
B	From Sides	6" (152 mm)
C	From Ceiling	36" (915 mm)
D	Alcove Width	60" (1524 mm) Minimum
E	Alcove Depth	24" (610 mm) Maximum



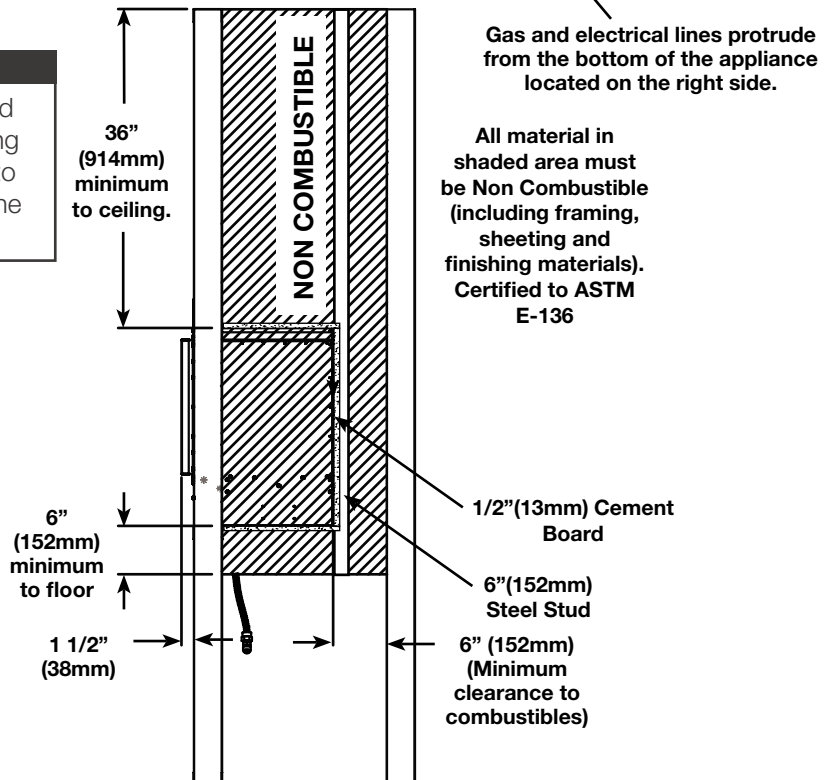
4.4 minimum enclosure clearances (GSS48E - one sided)

! WARNING

- Use only non-combustible materials (certified to ASTM E-136) such as steel studs, cement board, ceramic tile, marble, paint, etc. When adding finishing materials to the appliance, do not use wood or drywall.
- You must have clear and easy access to the on/off valve AFTER the appliance is installed and connected to the gas supply in order to safely turn off the burner.



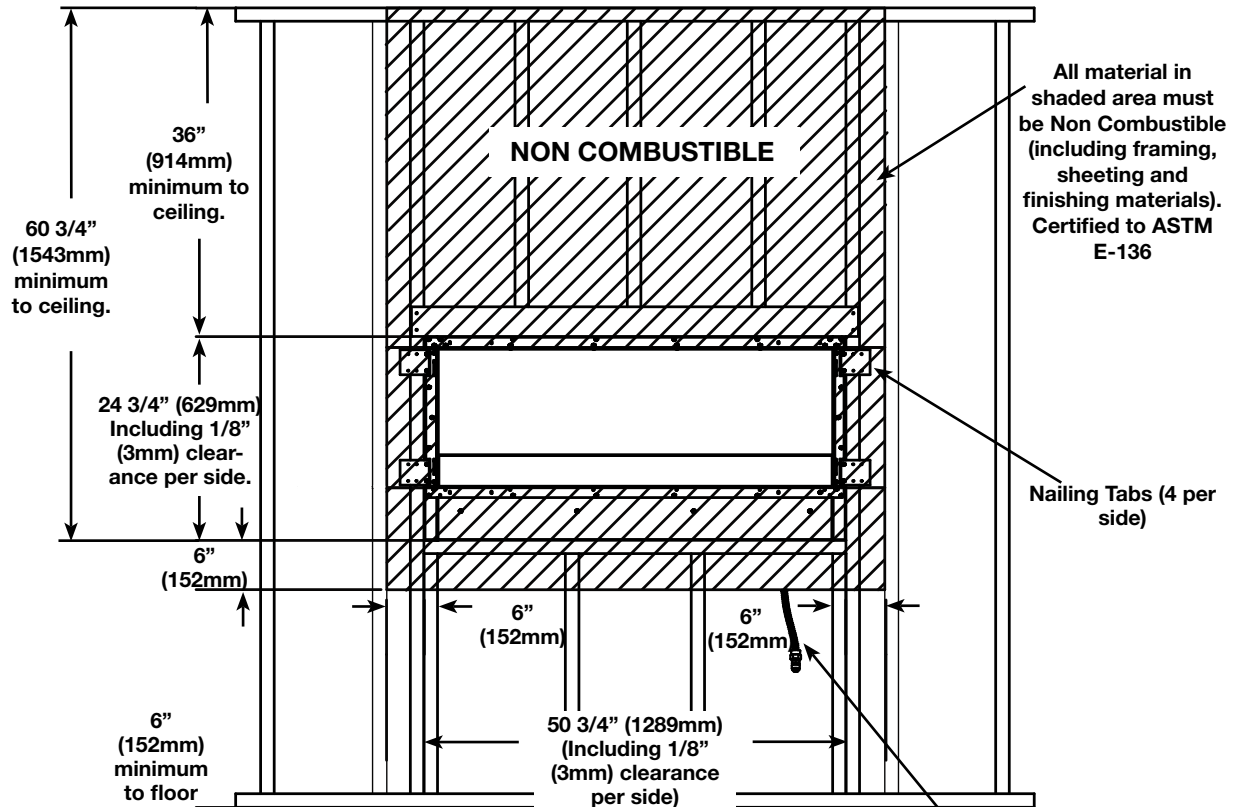
note:
Ensure complete enclosure is closed to prevent rain and debris from falling on top of the appliance, as well as to ensure no draft will occur through the enclosure.



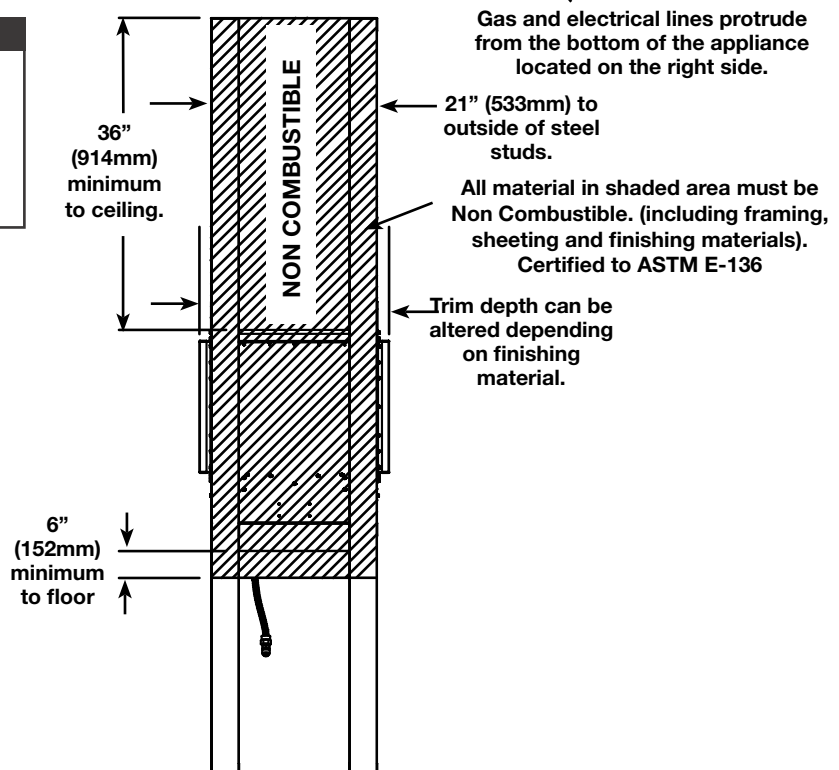
4.5 minimum enclosure clearances (GSS48STE - see through)

! WARNING

- Use only non-combustible materials (certified to ASTM E-136) such as steel studs, cement board, ceramic tile, marble, paint, etc. When adding finishing materials to the appliance, do not use wood or drywall.
- You must have clear and easy access to the on/off valve AFTER the appliance is installed and connected to the gas supply in order to safely turn off the burner.

**note:**

Ensure complete enclosure is closed to prevent rain and debris from falling on top of the appliance, as well as to ensure no draft will occur through the enclosure.



4.6 minimum mantel clearances

! WARNING

- Mantel temperatures will rise above normal temperatures and may be hot to the touch.

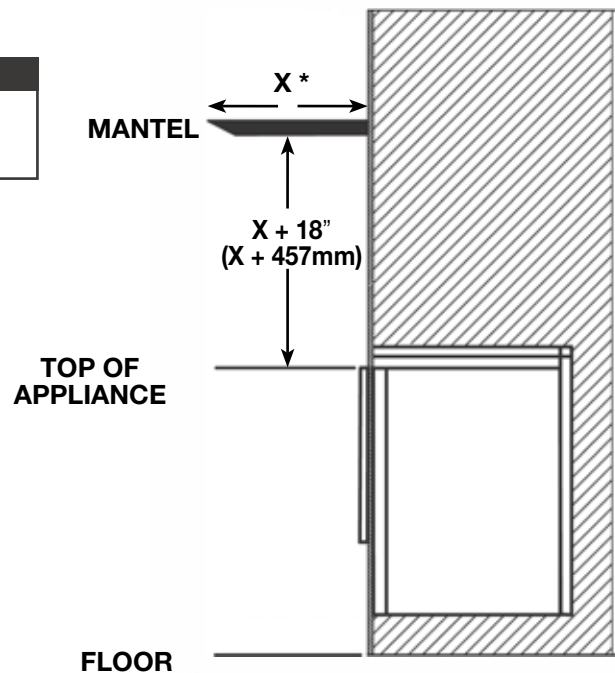
It is recommended that all mantels are made from non-combustible materials. If using combustible materials, follow the chart below.

note:

When using paint and lacquer to finish the mantel, the paint or lacquer must be heat resistant to prevent discolouration. If using combustible materials, minimum vertical clearance must be determined according to the below diagram.

note:

* X is a minimum before combustible mantel can start.



4.7 drain installation (recommended)

Although this appliance is designed to operate outdoors safely, rain and other sources of moisture may enter the appliance area, which will cause water to collect inside the base of the appliance within the appliance enclosure. When choosing a location for your appliance, care must be taken to avoid areas where excessive moisture or running water may be a problem.

To prevent moisture or water from collecting underneath the appliance, the builder must provide a means to drain water from under the appliance, before positioning the appliance in its location. It is recommended that a sealed corrosion resistant drain pan with provisions for drainage be positioned underneath the appliance. The drain pan can be constructed from corrosion resistant metal, or other suitable materials such as an ice and water shield membrane. A means of drainage out of the drain pan such as piping or weep holes must also be provided. A slope of 1/4" (6mm) per foot towards the drain port is recommended.

note:

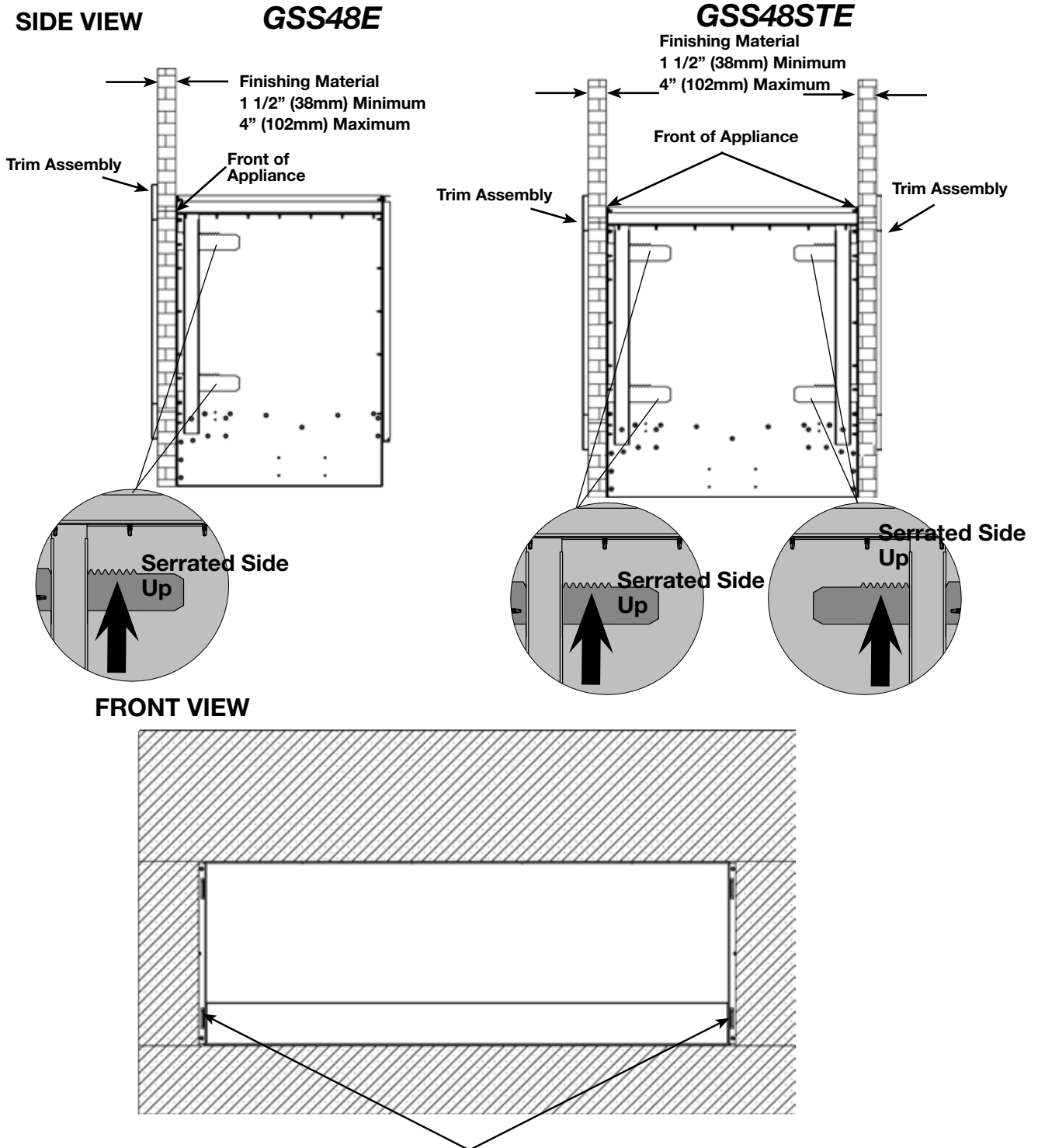
When planning for the installation of the appliance, the framing height must be increased to accommodate a drain pan and any additional drainage piping required. The appliance must be installed on a level surface to ensure proper drainage.

5.0 trim installation (optional)

note:

Most stainless steel parts are supplied with a protective plastic coating that must be removed prior to using the appliance.

The trim is designed to work with facing materials that protrude between 1-1/2" (38mm) to 4" (102mm) from the front of the appliance.



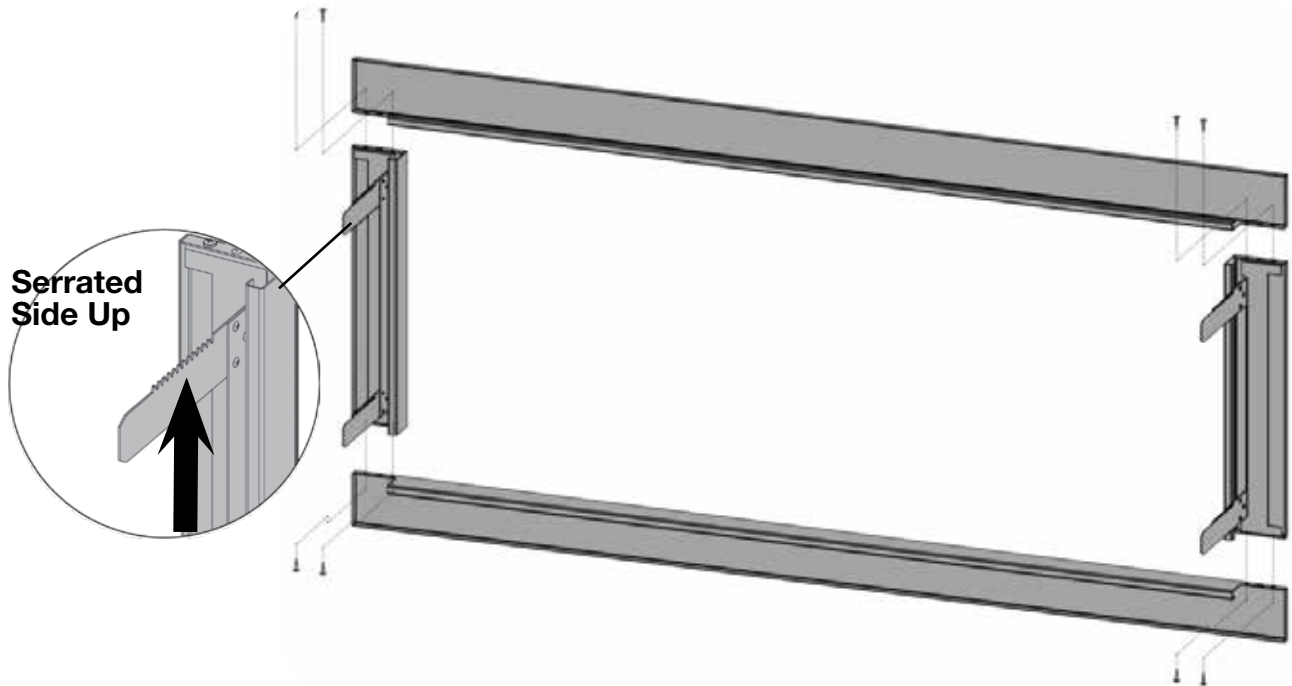
! WARNING

- When installing the optional trim kit, the installer must leave a 5/8" (16mm) gap in between cement board and finishing materials on both sides to allow access to slots for the frame.

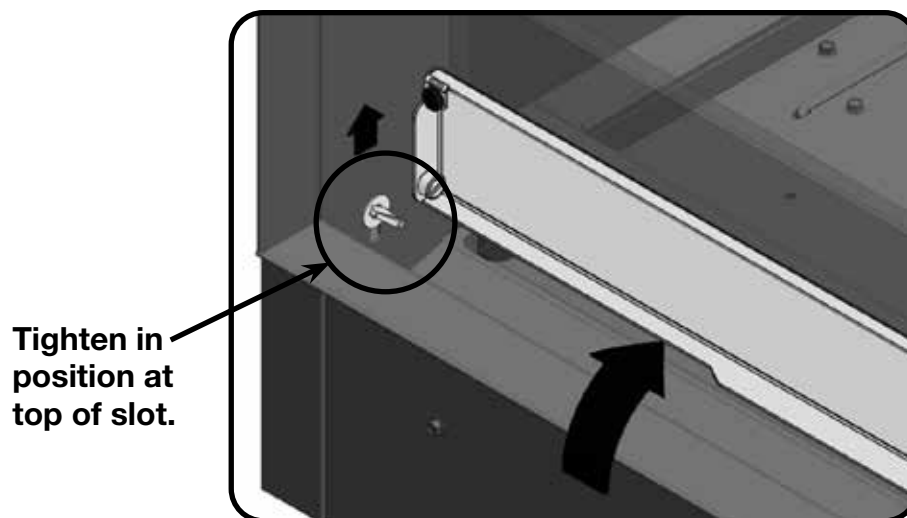
WARNING

- Assemble the trim pieces on a clean, non-abrasive surface to avoid damaging the stainless steel finish.

1. Peel protective coating from front trim pieces.
2. Assemble the trim pieces using (8) #8-32 x 3/8" screws as illustrated.

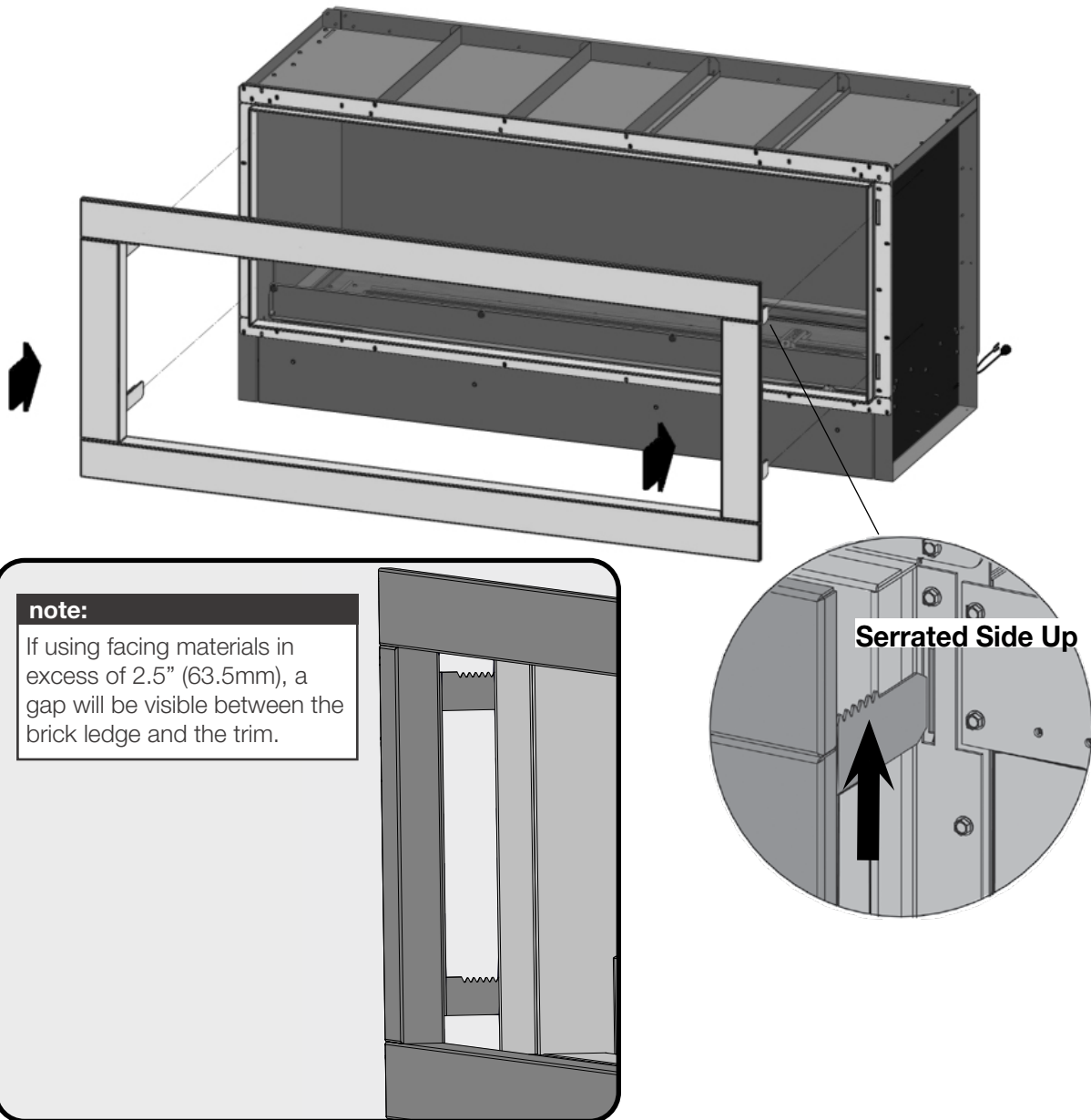


3. Open the front access door on the appliance and loosen the thumb screws. Do not remove. Lift up on the thumb screws and tighten in position at top of slot.

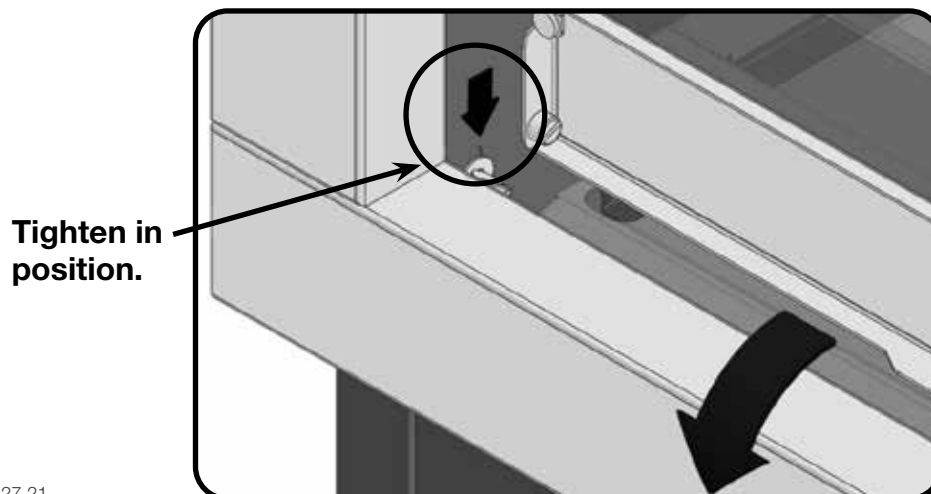


trim installation (optional)

- Line up the brackets on the trim with the slots on the side of the base and insert as illustrated pushing until trim sits flush against front surface. The brackets have been designed with multiple slots (1/4" [6mm]) increments to accommodate different finishing materials.



- Loosen the thumb screw and lower until it stops. Re-tighten the thumb screw and close the access door.



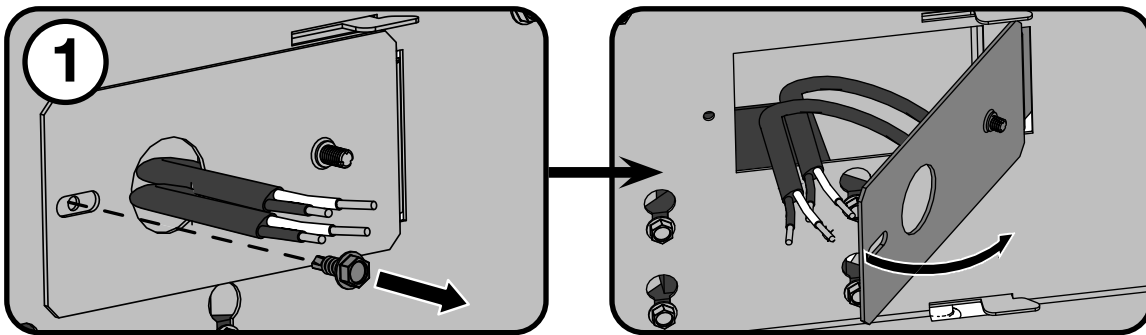
6.1 hard-wiring installation

! WARNING

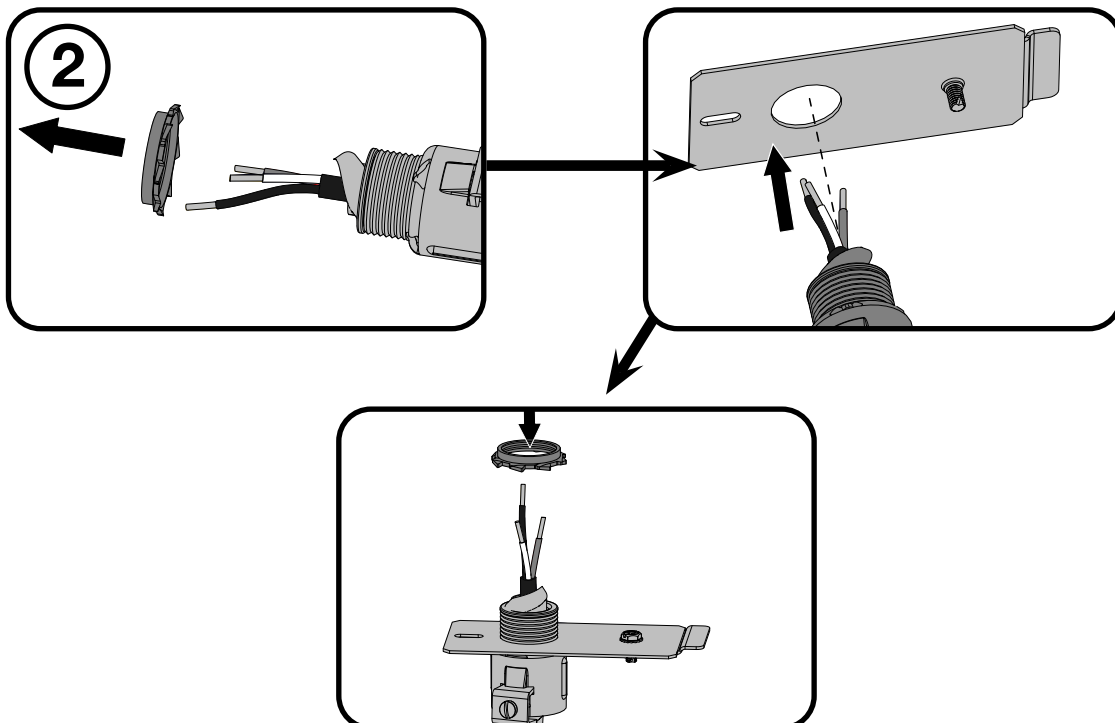
- Use only a Ground Fault Interrupter (GFI) protected circuit with this outdoor gas appliance.
- Ensure that all power sources have been shut off prior to beginning any electrical work.
- Do not use this appliance if any part has been under water. Call a qualified service technician immediately to have the appliance inspected for damage to the electrical circuit.
- Risk of electrical shock or explosion. Do not wire 110v to the valve or to the appliance wall switch. Incorrect wiring will damage controls and is not covered by the warranty.
- All wiring should be done by a qualified electrician and shall be in compliance with local codes. In the absence of local codes, use the current CSA22.1 Canadian Electrical Code in Canada or the current National Electrical Code ANSI/NFPA No. 70 in the United States.

A qualified electrician must remove the cord connection and wire the appliance directly to the household wiring. This appliance must be electrically connected and grounded in accordance with local codes, if hardwired. In the absence of local codes, use the current CSA C22.1 Canadian Electrical Code in Canada or the current ANSI/NFPA No. 70 in the United States.

1. Remove the junction plate from the right side bottom of the appliance by removing the screw (N570-0008).

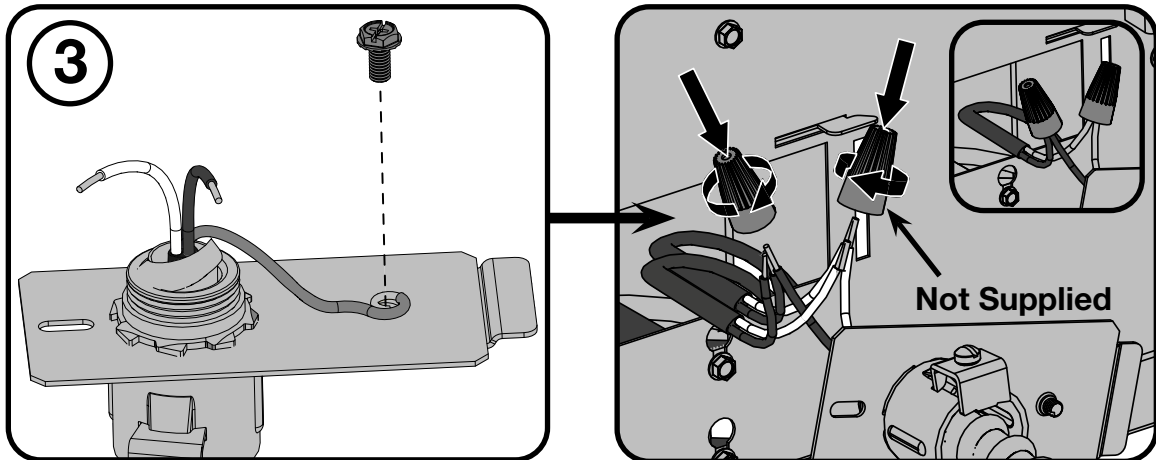


2. Install the box connector through the 7/8" (22.2mm) hole and into the junction plate.

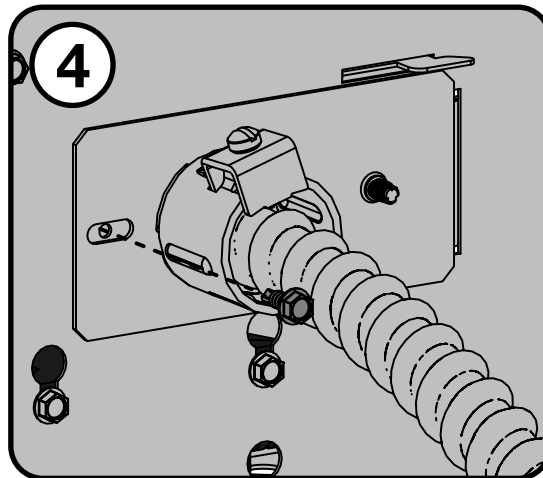


electrical information

3. Connect the ground green wire to the junction plate using the grounding screw (W570-0098). Using the wire connectors, connect the common white wires together, then the hot black wires.



4. Re-install the cover plate using the screw (N570-0008), as shown.



6.2 wiring diagram

⚠ WARNING

- Do not wire 110 volts to the valve or wall switch.

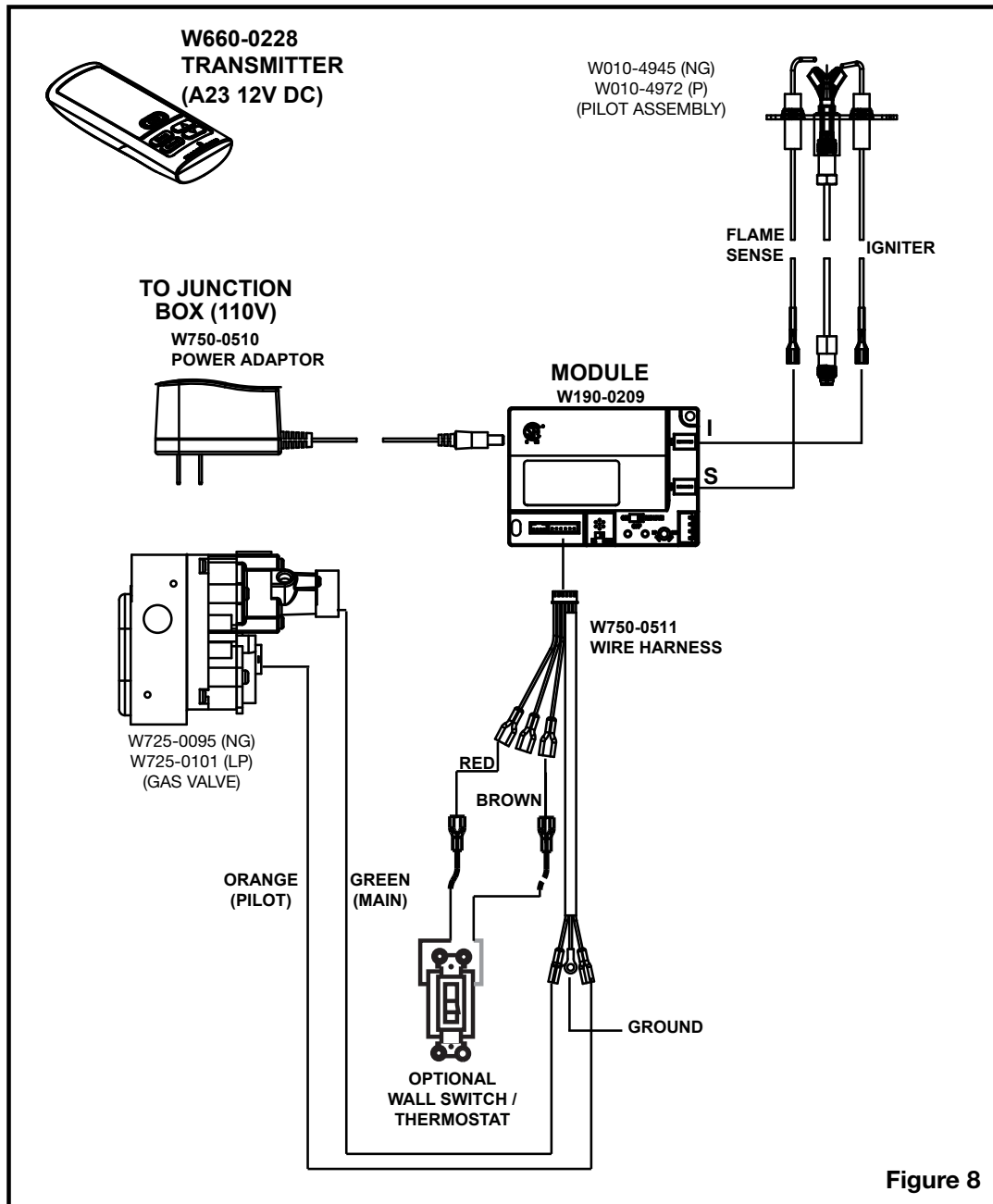


Figure 8

6.3 LED light wiring diagram

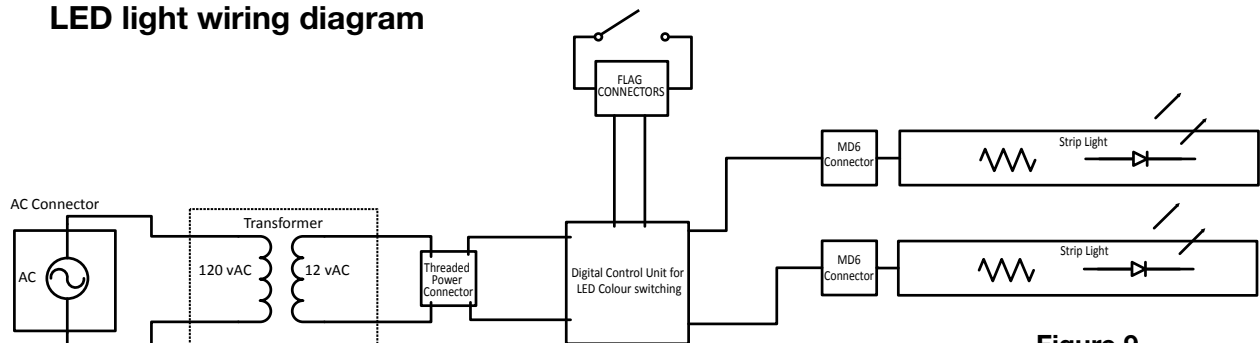


Figure 9

electrical information

6.4 transmitter installation and operation

A transmitter comes standard with this appliance and can be found in the manual baggie. This control is designed to turn your appliance "ON" and "OFF".

Placement of the transmitter may affect performance. This control should be in the same space as the appliance and used to operate the appliance only when it is within sight. The control must be placed within 30 feet of the appliance and under weather resistant cover when used in exterior applications.

! WARNING

- Risk of burns! Ensure appliance is cool before starting this process.

Initializing the transmitter for the first time:

- Remove the battery cover from the back of the transmitter and install A23 battery as indicated (+/-)
- Locate the control module in the appliance (**Figure 10**).
- Move the ON/OFF/REMOTE selector switch to the REMOTE position. Control module will beep once when ready (**Figure 9**).
- Using a small item (such as a paper clip) press and release the "LEARN" button located near the selector switch (**Figure 9**).
- The control module will beep once and the "STATUS" light will blink green for 10 seconds.
- While the light is blinking, press the power button on the transmitter. The module will beep twice to indicate that the connection is successful.

note:

To clear the memory of the control module, use a paper clip to press and release the "LEARN" button. The module will beep once and the "STATUS" light will blink green for 10 seconds. Do not press any buttons on the transmitter during this period and the memory will be cleared.

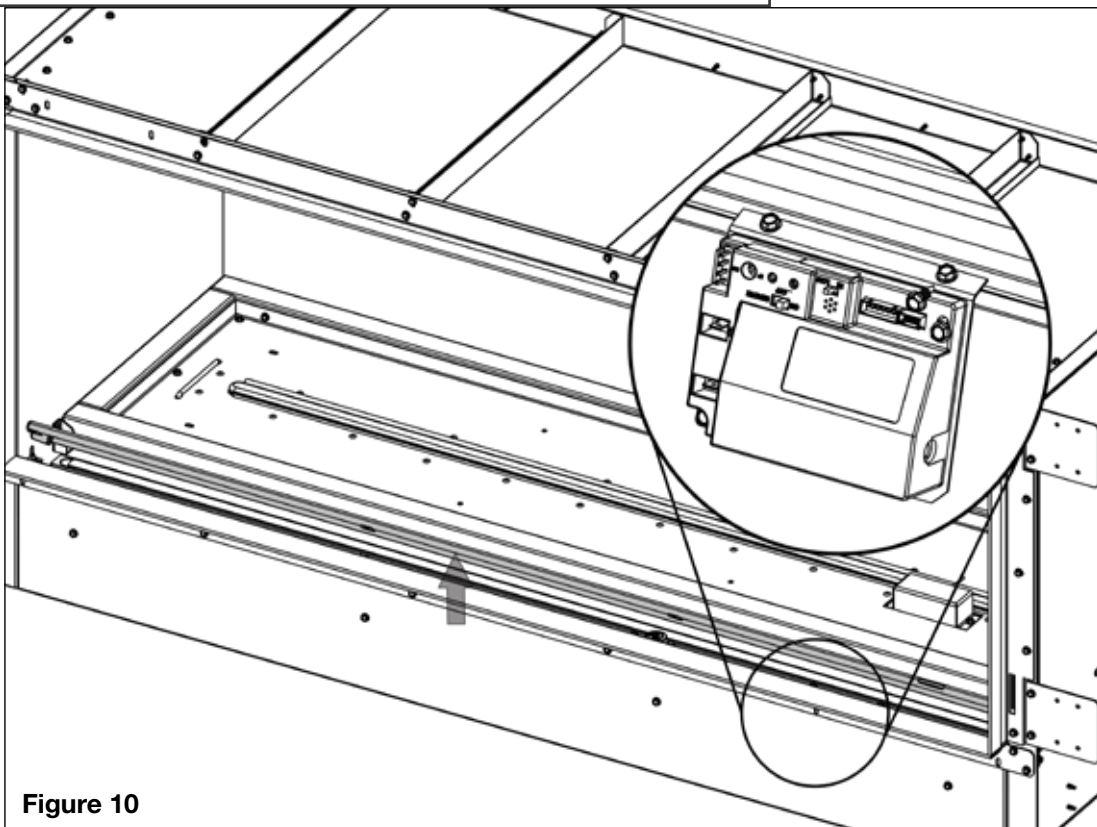
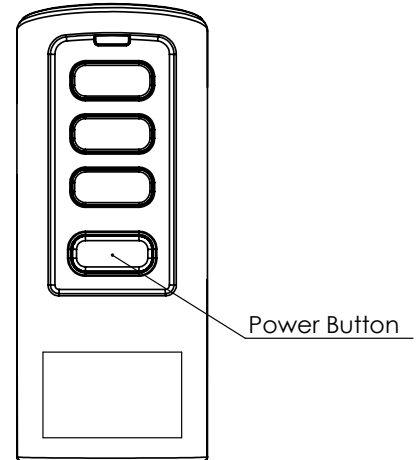


Figure 10

6.5 control module operation

! WARNING

- **Risk of Explosion! DO NOT** reset the module more than once within a five-minute time period. Gas may accumulate in firebox. Call a qualified service technician.

1. The control module has an ON/OFF/REMOTE selector switch that must be set (**see Figure 9**).

OFF Position: Appliance will ignore all power inputs and will not respond to any commands from a wall switch or transmitter. The unit should be in the OFF position during installation, service, fuel conversion, and if the control goes into LOCK-OUT mode as a result of an error code.

ON Position: Appliance will ignite and run continuously. This mode of operation is primarily used for initial installation.

REMOTE Position: Appliance will initiate commands from an optional wall switch and/or the wireless transmitter.

2. If you intend to use both an optional wired wall switch and the transmitter to operate your fireplace, the wall switch will override any commands given by the transmitter.

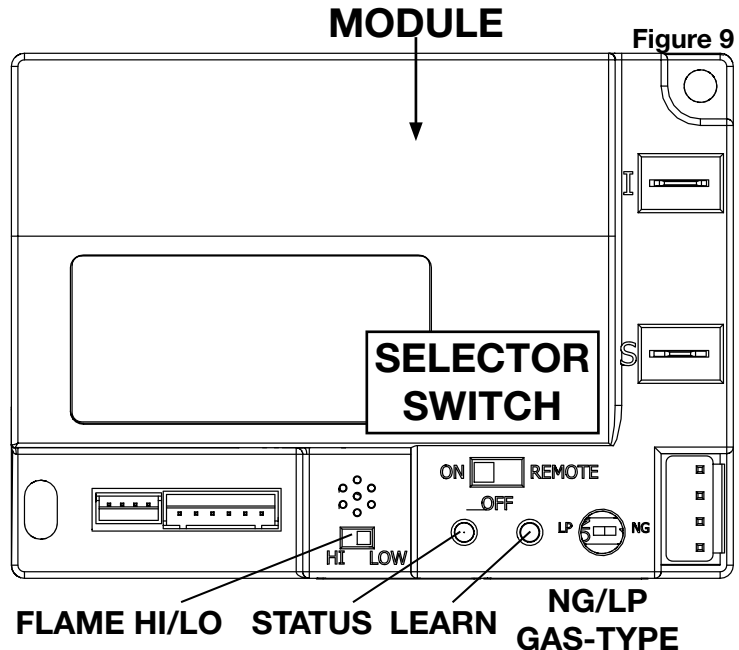
3. **Module Reset:** This module may lock-out under certain conditions. When this occurs, the appliance will not ignite or respond to commands. The module will go into lock-out mode by emitting three audible beeps, then continuously displaying a RED/GREEN error code at its status indicator LED.

- Turn the gas manual shut-off valve clockwise to the “OFF” position. (Shut-off valve is located on the flex connector).
- Set the module selector switch to the OFF position.
- Wait five (5) minutes to allow possible accumulated gas to clear.
- Turn the manual shut-off valve counterclockwise to the “ON” position
- Set the module selector switch to ON or REMOTE position.
- Start the appliance.

4. **Setting the Child Lock:** Slide the battery cover down from the back of the transmitter. Slide the child lock switch to enable or disable the child lock feature.

note:

No functions will be usable until child lock feature is disabled.



6.6 LED light operation

Your appliance has been equipped with an LED (light) strip which is programmed with three colour modes. Plug the LED power supply into a GFI protected electrical outlet.

Turn on the light switch located under the access panel and toggle the switch off and on to cycle through the desired mode.

Mode 1 - Simulated white.

Mode 2 - Continuous 2 colour shift. Takes 8-10 seconds to smoothly ramp up one colour to 100%, as the other fades off from 100% to 0. Continually shifts in colour (17 seconds per colour, up and back down).

Mode 3 - Freeze Mode Colour stops the colour shift on whichever colour it was on in Mode 2 at the time it was turned off; does not continue to shift.

note:

Switch off for 10 seconds to reset to beginning colour mode.

7.0 gas installation

WARNING

- Risk of fire, explosion or asphyxiation. Ensure there are no ignition sources such as sparks or open flames.
- The installation must be performed by a licensed gas fitter, and all connections must be leak tested before operating the appliance.
- All gas connections must be contained within the appliance when complete.
- High pressure will damage the valve. Disconnect gas supply piping before testing gas line at test pressures above 1/2 psig.
- Connect the gas supply in accordance to local codes. In the absence of local codes, install to the current CAN/CSA B149.1 Installation Code in Canada or to the current National Fuel Gas Code, ANSI Z223.1/NFPA 54 in the United States.
- Leak test all the connections by brushing on a soap and water solution. These connections can be accessed by removing the burner.

7.1 gas hook-up

Installation and servicing to be done by a qualified installer.

- Move the appliance into position and secure.
- If equipped with a flex connector, the appliance is designed to accept a 1/2" (13mm) gas supply. Without the connector, it is designed to accept a 3/8" (9.5mm) gas supply. The appliance is equipped with a manual shut off valve to turn off the gas supply to the appliance.
- Connect the gas supply in accordance to local codes. In the absence of local codes, install to the current CAN/CSA-B149.1 Installation Code in Canada or to the current National Fuel Gas Code, ANSI Z223.1 / NFPA 54 in the United States.
- When flexing any gas line, support the gas valve so that the lines are not bent or kinked.
- The gas line flex-connector should be installed to provide sufficient movement for shifting the burner assembly on its side to aid with servicing components.
- Check for gas leaks by brushing on a soap and water solution. **Do not use open flame.**

After installing the electrical wiring and gas lines, ensure to test the appliance before finishing the framing and finishing the appliance. **Purge the gas supply line of any trapped air prior to the first firing of the appliance.**

Your appliance can be converted to use propane gas using the certified conversion kit.

7.2 propane cylinder specifications

WARNING

- If these instructions are not followed exactly, a fire causing death or serious injury may occur.
- A fire will result if the gas supply hose makes contact with the underside of the appliance.

A dented or rusty cylinder may be hazardous and should be checked by your propane supplier. Never use a cylinder with a damaged valve. The propane gas supply cylinder must be constructed and marked in accordance with the U.S. D.O.T. Specifications for Propane Gas Cylinders or the Standard for Cylinders, Spheres and Tubes for Transportation of Dangerous Good and Commission, CAN/CSA-B339, as applicable.

This appliance has been designed for use with a 20lb (9.1kg) or 30lb (13.6kg) size propane cylinder only (not supplied).

The propane gas supply cylinder must be provided with a cylinder-connection device compatible with the connection for the appliance. The propane cylinder must be provided with a shut-off valve terminating in a propane cylinder valve type QCC1, and a safety relief device having direct communication with the vapour space of the cylinder. The cylinder supply system must be arranged for vapour withdrawal and the cylinder shall include a collar to protect the cylinder valve. The propane gas cylinder must be provided with a listed overfill protection device (OPD). Do not store a spare propane gas cylinder under or near this appliance. Never fill the cylinder beyond 80 percent full.

Use only the pressure regulator and hose assembly provided with this appliance. Replacement pressure regulators and hose assemblies must be specified by the manufacturer. The regulator supplies a pressure of 11 inches water column to the appliance and has a QCC1 type fitting. Cylinders to be used with this appliance must be supplied with QCC1 cylinder valve. A QCC1 cylinder has a positive seating connection, which will not allow gas flow until a positive seal has been achieved. It is also equipped with an excess flow device. In order to attain full flow to the appliance, the valve must be in the off position when the cylinder valve is turned on.

7.3 propane gas cylinder mounting

To prevent the propane gas cylinder from tipping over, ensure the cylinder support ring is on a level surface. Place the cylinder into the support ring and tighten the thumb screw to secure.

7.3.1 propane cylinder retaining bracket

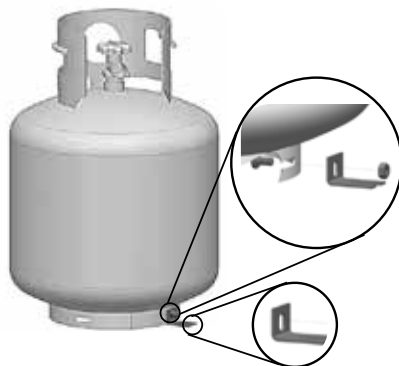
WARNING

- Make sure the cylinder valve is in its full off position (turn clockwise to stop).
- Check cylinder valve features to ensure it has proper external mating threads (Cylinder valve marked: USE WITH TYPE 1).
- Inspect hose shipped with the appliance for damage. Never attempt to use damaged or plugged equipment. See your local propane gas dealer for repairs.
- When connecting regulator assembly to the cylinder valve, hand tighten black QCC1 nut clockwise to a positive stop. **DO NOT** use a wrench to tighten. Use of a wrench may damage the quick closing coupling nut and result in a hazardous condition.
- Locate the hose out of pathways where people may trip over it or in areas where the hose may be subject to accidental damage.
- Open cylinder valve fully (counter-clockwise). Turn the on/off valve at the appliance slowly to the on position and use a soapy water solution to check all connections for leaks as indicated in the diagrams before attempting to light the appliance. If a leak is found, turn tank valve off and do not use the appliance until repairs can be made.

1. Fasten the bracket to the bottom of the propane bottle using the bolt and nut supplied.
2. Tighten the lag screw into the mounting surface leaving approximately 1/4" (6mm) of thread above the surface.
3. Slide the propane bottle into position so that the bracket slides under the head of the lag screws.
4. Tighten the lag screw onto the bracket.
5. For fastening to a concrete surface, a concrete anchor will be required (not supplied).

Cylinder Connection: Ensure the gas regulator hose is kink free. Remove the cap or plug from the cylinder fuel valve. Insert the black QCC1 regular nipple onto the QCC1 fuel valve. Hand tighten clockwise. Do not use tools. Leak test all joints prior to using the appliance. A leak test must be performed annually and each time a cylinder is hooked up or if a part of the gas system is replaced.

If the appliance is to be connected directly to a house propane gas supply line, follow the instructions for the natural gas hook-up.



gas installation

7.4 enclosures for propane gas supply systems

If you build an enclosure for a propane gas cylinder, follow these recommended specifications. You must also follow local codes.

- An enclosure for a propane gas cylinder shall be ventilated by openings at both the upper and lower levels of the enclosure.

This shall be accomplished by one of the following:

- One side of the enclosure shall be completely open; or
- For an enclosure having four sides, a top and a bottom:

a) At least two ventilation openings shall be provided in the sidewalls of the enclosure, located within 5" (127mm) of the top of the enclosure, equally sized, spaced at a minimum of 90° (1.57 rad), and unobstructed. The opening(s) shall have a total free area of not less than 1in² per lb (14.2cm²/kg) of stored fuel capacity.

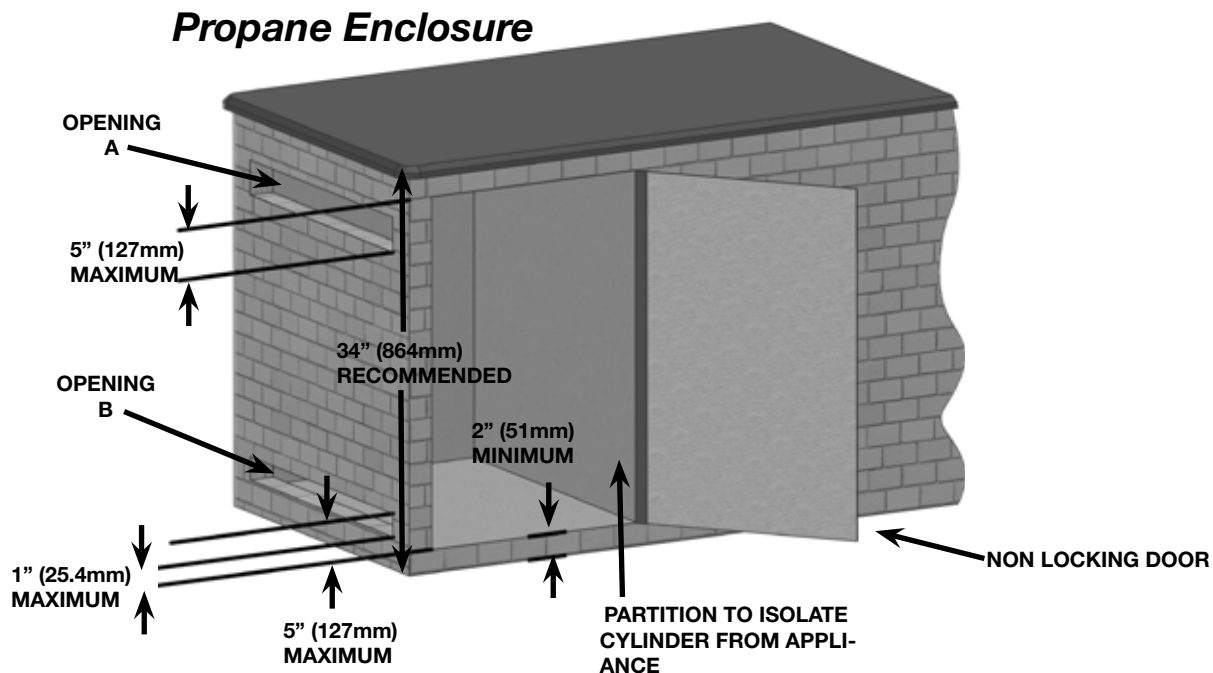
b) Ventilation opening(s) shall be provided at floor level of the enclosure and shall have a total free area of not less than 1/2in² per lb (7.1cm²/kg) of stored fuel capacity. If ventilation openings at floor level are in a side wall, there shall be at least two openings. The bottom of the openings shall be 1" (25.4mm) or less from the floor level and the upper edge no more than 5" (127mm) above the floor level. The openings shall be equally sized, spaced at a minimum of 90° (1.57 rad), and unobstructed.

c) Every opening shall have minimum dimensions so as to permit the entrance of a 1/8" (3.2mm) diameter rod.

Ventilation openings in sidewalls shall not communicate directly with other enclosures of the appliance. Cylinder valves shall be readily accessible for hand operation. A door on the enclosure to gain access to the cylinder valve is acceptable, provided it is non-locking and can be opened without the use of tools. Designs using a cover to gain access to the cylinder and cylinder valve shall be provided with handles or equivalent at a minimum of 180° apart to facilitate lifting of the cover. There shall be a minimum clearance of 2" (50.8mm) between the lower surface of the floor of the propane gas cylinder enclosure and the ground. The design of the enclosure shall be such that (1) the propane gas supply cylinder(s) can be connected, disconnected and the connections inspected and tested outside the cylinder enclosure; and (2) those connections which could be disturbed when installing the cylinder(s) in the enclosure can be leak tested inside the enclosure. The enclosure for the propane gas cylinder shall isolate the cylinder from the burner compartment to provide:

- Shielding from radiation;
- A flame barrier; and
- Protection from foreign material.

Be certain to mount or set the propane gas cylinder on a flat surface and restrain it using a cylinder restraining bracket to prevent it from tipping.



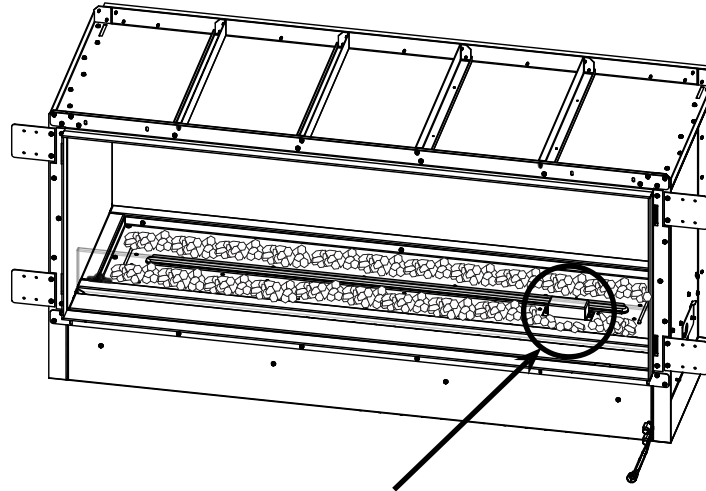
CYLINDER SIZE	OPENING A AREA	OPENING B AREA
20 lb (9.1kg)	20in ² (130cm ²)	10in ² (65cm ²)
30 lb (13.6kg)	30in ² (195cm ²)	15in ² (100cm ²)

8.1 glass ember installation

! WARNING

- Do not use the appliance without the glass embers in place.
- Glass embers may have sharp edges. Wear safety glasses and gloves when handling. Do not change or substitute the glass ember material provided with this appliance. If replacing, use only replacement glass embers available from your local authorized dealer/distributor.
- Glass embers may have a fine oil residue that needs to be cleaned prior to installation. Clean the glass with mild dish soap, drain, rinse thoroughly, and dry before installing.

1. Carefully pour the glass embers onto the appliance ember tray as shown.
2. Spread the glass embers over the tray and burner. The distribution of clear glass over the burner will influence flame height.
3. The glass embers must cover the mesh area of the burner tray while ensuring no glass is placed on the ignition portion of the burner as illustrated below.



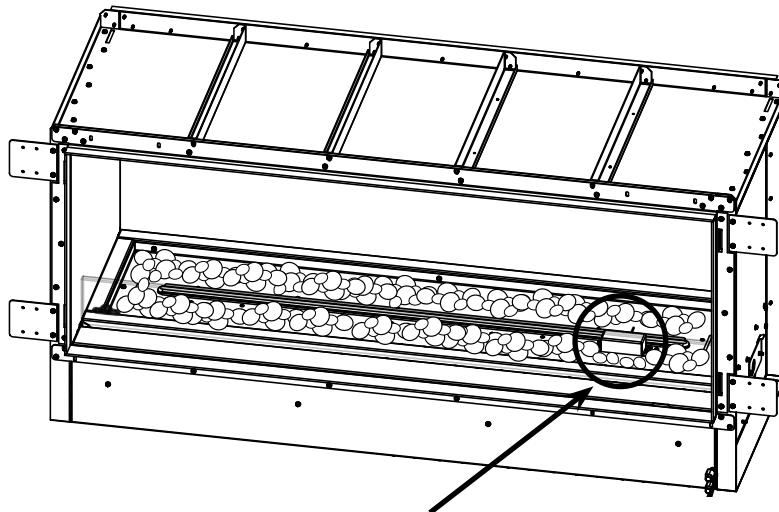
ENSURE NO GLASS IS PLACED ON THE IGNITION PORTION OF THE BURNER, DIFFICULTIES IN LIGHTING MAY RESULT.

8.2 rock kit installation (optional)

! WARNING

- Real rocks must not be used in this appliance. Heat will cause them to explode.

Replace the refractory rocks on top of the glass ember bed and around the burner tray as desired, making sure not to cover any burner ports or the ignition portion of the burner.



ENSURE NO ROCK IS PLACED ON THE IGNITION PORTION OF THE BURNER, DIFFICULTIES IN LIGHTING MAY RESULT.

9.0 operation

WARNING

- If you do not follow these instructions exactly, a fire or explosion may result causing property damage, personal injury, or loss of life.
- If applicable, always light the pilot whether for the first time or if the gas supply has run out with the glass door opened or removed.

When lit for the first time, the appliance will emit an odor for a few hours. This is a normal temporary condition caused by the “burn-in” of paints and lubricants used in the manufacturing process and will not occur again. After extended periods of non-operation, such as, following a vacation or warm weather season, the appliance may emit a slight odor for a few hours. This is caused by dust particules in the heat exchanger burning off. In both cases, open a window to sufficiently ventilate the room.

FOR YOUR SAFETY READ BEFORE LIGHTING

- Do not turn on if children or other at risk individuals are near the appliance.
- This appliance is equipped with an ignition device which automatically lights the pilot. Do not try to light the pilot by hand.
- Before operating, smell all around the appliance area for gas and next to the floor because some gas is heavier than air and will settle on the floor.
- Do not use this appliance if any part has been under water. Immediately call a qualified service technician to inspect the appliance and replace any part of the control system and any gas control which has been underwater.

WHAT TO DO IF YOU SMELL GAS

- Turn off all gas to the appliance.
- Open windows.
- Do not try to light any appliance.
- Do not touch any electric switch; do not use any phone in your building
- Immediately call your gas supplier from a neighbour's phone. Follow the gas supplier's instructions.
- If you cannot reach your gas supplier, call the fire department.

LIGHTING INSTRUCTIONS

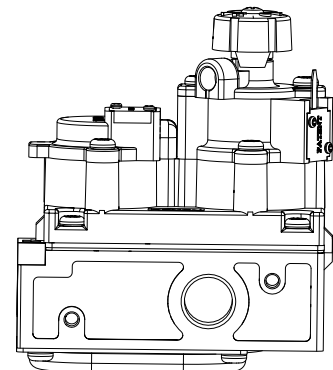
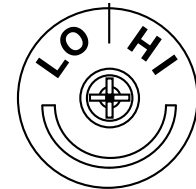
note:

This appliance is equipped with an ignition device which automatically lights the pilot. Do not try to light the pilot by hand.

- Stop! Read the above safety information on this label.
- Remove batteries from the transmitter and set thermostat to lowest setting, if equipped.
- Turn off all electrical power to the appliance.
- Open the glass door, if equipped.
- Turn the manual shut-off valve clockwise to the “OFF” position. (Shut-off valve is located on the flex connector).
- Wait five (5) minutes to clear out any gas. If you smell gas including near the floor, **STOP!** Follow the instructions above in the “WHAT TO DO IF YOU SMELL GAS” section. If you don't smell gas; close the glass door and go to the next step.
- Turn the manual shut-off valve counter clockwise to the “ON” position.
- Turn on all electrical power to the appliance and re-install the batteries into the transmitter. Set thermostat to desired setting, if equipped.
- Turn on the remote wall switch to the appliance.
- If the appliance will not operate, follow instructions “TO TURN OFF GAS” and call your service technician or gas supplier.

TO TURN OFF GAS

- Set thermostat to lowest setting, if equipped.
- Turn off the remote wall switch to the appliance.
- Turn off all electric power to the appliance if service is to be performed.
- Turn manual shutoff valve clockwise to the “OFF” positon. Do not force.



! WARNING

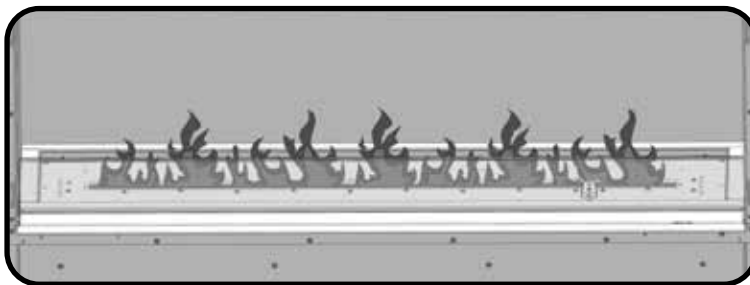
- Never use this appliance for other than the intended use. Do not use the appliance to prepare food.
- You must have clear and easy access to the on/off valve AFTER the appliance is installed and connected to the gas supply in order to safely turn off the burner.
- When lit for the first time, the appliance emits a slight odour. This is a normal temporary condition caused by the “burn-in” of internal paints and lubricants used in the manufacturing process and does not occur again. Simply run the main burner on high for approximately one-half hour.
- Children and adults should be alerted to the hazards of high surface temperatures and should stay away from the appliance to avoid burns or clothing ignition.
- Children should be carefully supervised when they are in the area of the appliance.
- Clothing or other flammable materials should not be hung from the appliance, or placed on or near the appliance. The area above the enclosure may be extremely hot. Direct contact with these surfaces should be avoided in order to prevent burns or clothing ignition.
- Any guard or protective device removed for servicing the appliance must be replaced prior to operating the appliance.
- Installation and repair should be done by a qualified service person.
- The appliance should be inspected before each use and at least annually by a qualified service person. More frequent cleaning may be required as necessary. It is imperative that the control compartment, burners, and circulating air passageways of the appliance be kept clean.
- Never use the appliance while it is raining.
- Always turn the appliance off when raining.
- Never splash any liquid on the glass/glass embers when the appliance is operating.
- The glass/glass embers will be extremely hot while operating. Never try to touch them.
- Always ensure the appliance stands firmly on level ground.
- Never use the appliance if the burner is damaged. Inspect the burner before each use. Ensure that no debris such as leaves, grass, or other objects have entered or are on the appliance. If the burner is damaged, it must be replaced prior to using the appliance with a replacement burner specified by your Napoleon dealer.
- Inspect the hose assembly before each use. If there is evidence of excessive abrasion or wear, or if the hose is damaged, it must be replaced prior to using the appliance with a replacement hose assembly specified by your Napoleon dealer.
- Any modification to the appliance may compromise the safety of this appliance. Special concerns include: do not bypass thermocouple safety; do not operate the appliance if any part has been under water. Immediately call a qualified service technician to inspect the appliance and replace any part of the control system and any gas control which has been under water.

note:

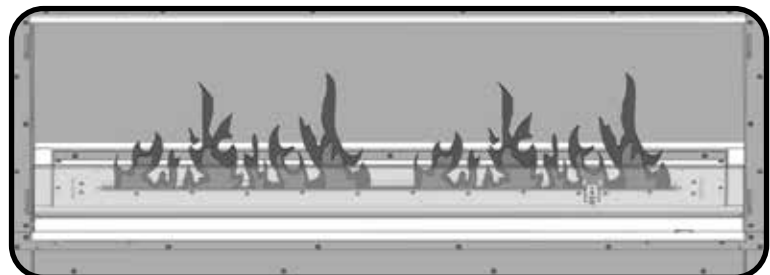
The appliance has been designed with several safety features, which include a safety valve. If the burner flame is extinguished, the appliance will automatically shut down.

Each time the appliance is used: Perform a visual check of the burner flame pattern. An abnormal flame pattern may be caused by blocked burner ports, inconsistent distribution of glass embers, or refractory rocks which are placed directly over the burner ports.

NORMAL



ABNORMAL



WARNING

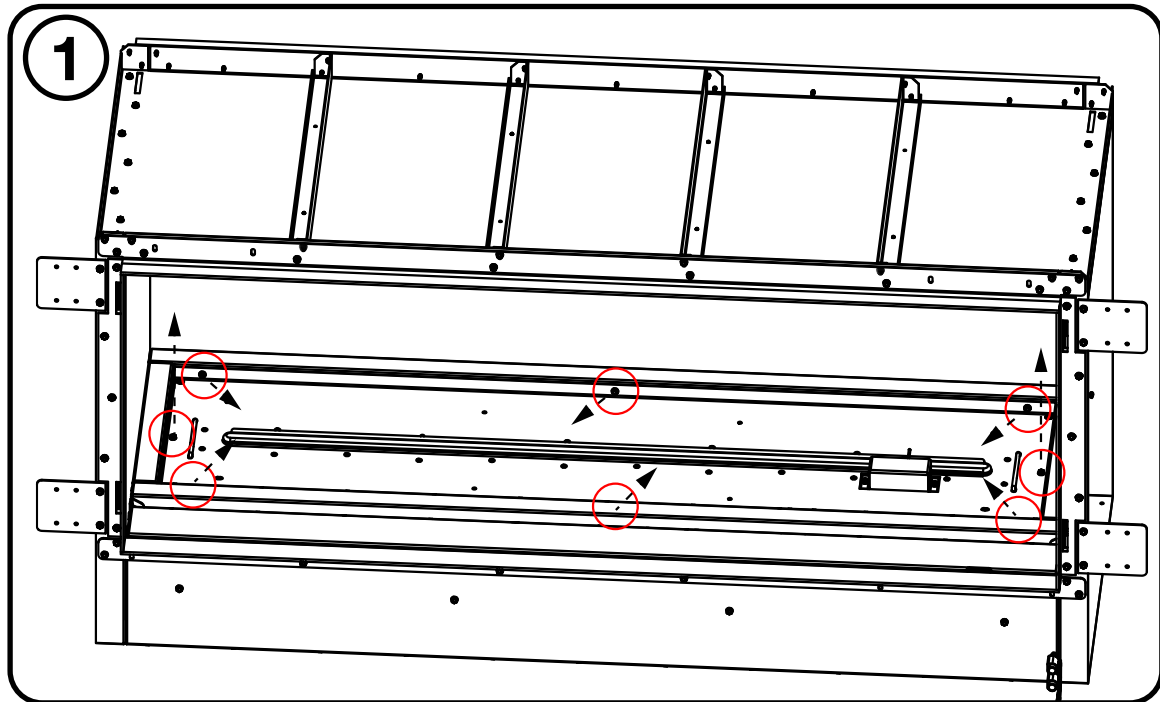
- Glass embers may have sharp edges. Wear safety glasses and gloves when handling. Do not change or substitute the glass ember material provided with this appliance. If replacing, use only replacement glass embers available from your local authorized dealer/distributor.
- To avoid the possibility of burns, maintenance should be done only when the appliance is cool. Avoid unprotected contact with hot surfaces. Ensure burner is turned off. Turn gas off at source and disconnect the appliance before servicing. Clean the appliance in an area where cleaning solutions will not harm decks, lawns, or patios. Do not use flammable, corrosive, or abrasive cleaners.
- Stainless steel tends to oxidize or stain in the presence of chlorides and sulfides, particularly in coastal areas and other harsh environments, such as the warm, highly humid atmosphere around pools and hot tubs. These stains could be perceived as rust, but can be easily removed or prevented. To provide stain prevention and removal, wash all stainless steel and chrome surfaces every 3-4 weeks or as often as required with fresh water and/or stainless steel cleaner.
- **Control Panel:** The control panel text is printed directly on the stainless steel and with proper maintenance will remain dark and legible. To clean the panel, use only warm soapy water. Never apply abrasive cleaners on any stainless surfaces, especially the printed portion of the control panel or the printing will gradually rub off.
- **Hose:** Check for abrasions, melting, cuts, and cracks in the hose. If any of these conditions exist, do not use the appliance. Have the part replaced by your Napoleon dealer or qualified gas installer.
- **Cleaning Inside the Appliance:** While washing your appliance, be sure to keep the area around the burner and pilot assembly dry at all times.
- If the gas control is exposed to water in any way, DO NOT try to use the appliance. The gas control must be replaced.
- **Burner:** The burner is made from heavy wall 304 stainless steel, but extreme heat and a corrosive environment can cause surface corrosion to occur. This can be removed with a brass wire brush. Inspect the burner at least annually for cracks, insect nests, excessive corrosion or any other damage. If the burner is damaged, it must be replaced with a burner specified by the manufacturer before the appliance is put into operation.
- **Beware of spiders!** Spiders and insects are attracted to the smell of propane and natural gas. The burner is equipped with an insect screen on the air shutter, which reduces the likelihood of insects building nests inside the burner but does not entirely eliminate the problem. A nest or web can cause the burner to burn with a soft yellow or orange flame or cause a fire (flashback) at the air shutter underneath the control panel. Other warning signs that may indicate a problem are: strong or unusual odour coming from the appliance; continued difficulty or delayed ignition; flame appears either very short or very long; flame only burns part way across the burner; excessive soot building up on the glass embers.
- To clean the inside of the burner, it must be accessed from the inlet beneath the burner tray. Remove the front glass shield and the glass embers, and examine the burner. If dirty, clean with a wire brush. Remove the screws that attach the burner tray and lift to set it on an angle for access. Take care not to damage pilot tube and wires. Use a flexible venturi tube brush to clean the inside of the burner. Shake any loose debris from the burner through the gas inlet. Check the burner ports and valve orifices for blockages. Burner ports can close over time due to debris and corrosion. Use an opened paperclip or a drill bit to clean them.

! WARNING

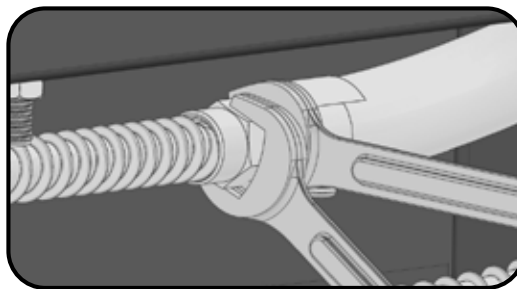
- The appliance area must be clear and free from combustible materials, gasoline, and other flammable vapours and liquids. Do not obstruct the flow of combustion and ventilation air. Keep the ventilation opening of the cylinder enclosure free and clear of debris.

To access the orifice:

1. Remove the glass shield, glass embers and screws securing the burner tray in place. Lift the tray and set it on its side or supported on an angle. Take care not to damage pilot tube and wires.



2. Remove the flex hose and the orifice from the burner.



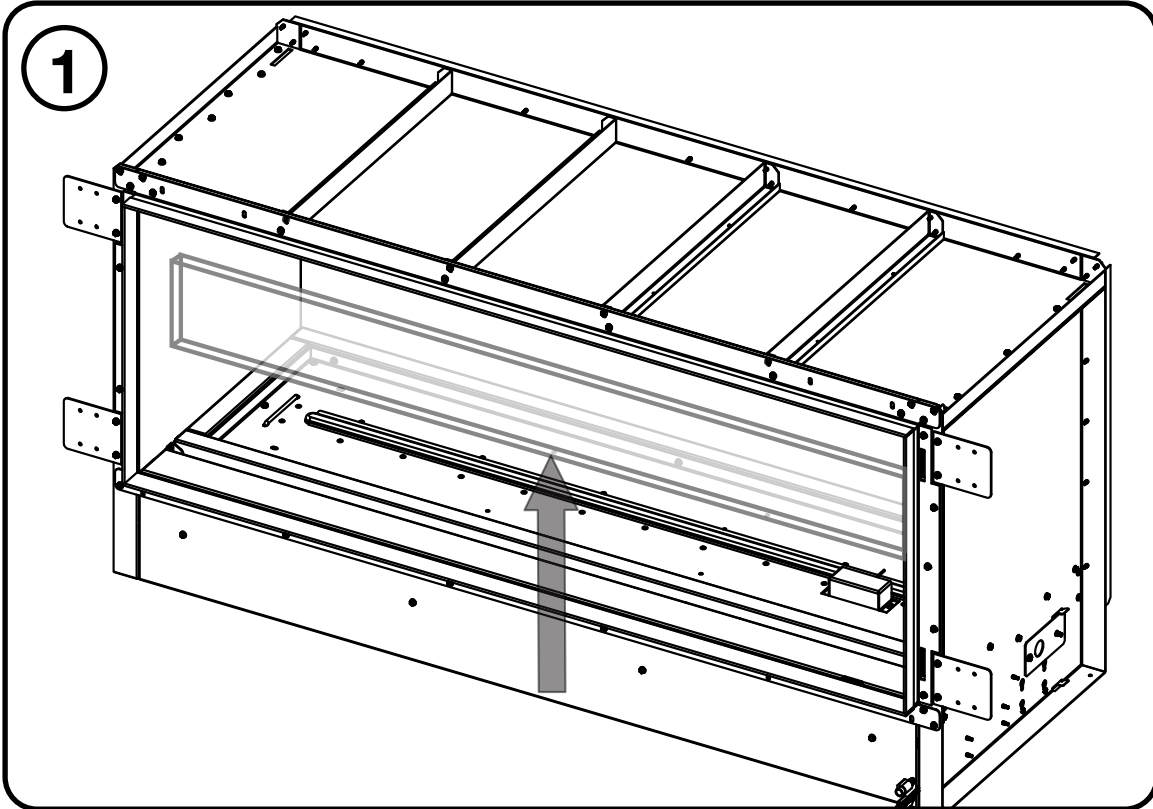
Reinstallation: Reverse the procedure to reinstall the burner tray. Check that the orifice enters the burner when installing. Replace the glass embers and the front glass shield. When the appliance is put back in service, compare the burner flame pattern to the images in the “Operation” section to verify that the appliance is operating correctly.

Cleaning the Outer Appliance Surface: Do not use abrasive cleaners or steel wool on any painted or stainless steel parts of your Napoleon appliance. Doing so will scratch the finish. Exterior surfaces should be cleaned with warm soapy water. To clean stainless surfaces, use a stainless steel or a non-abrasive cleaner. Always wipe in the direction of the grain. Over time, stainless steel parts discolour when heated, usually to a golden or brown hue. This discoloration is normal and does not affect the performance of the appliance.

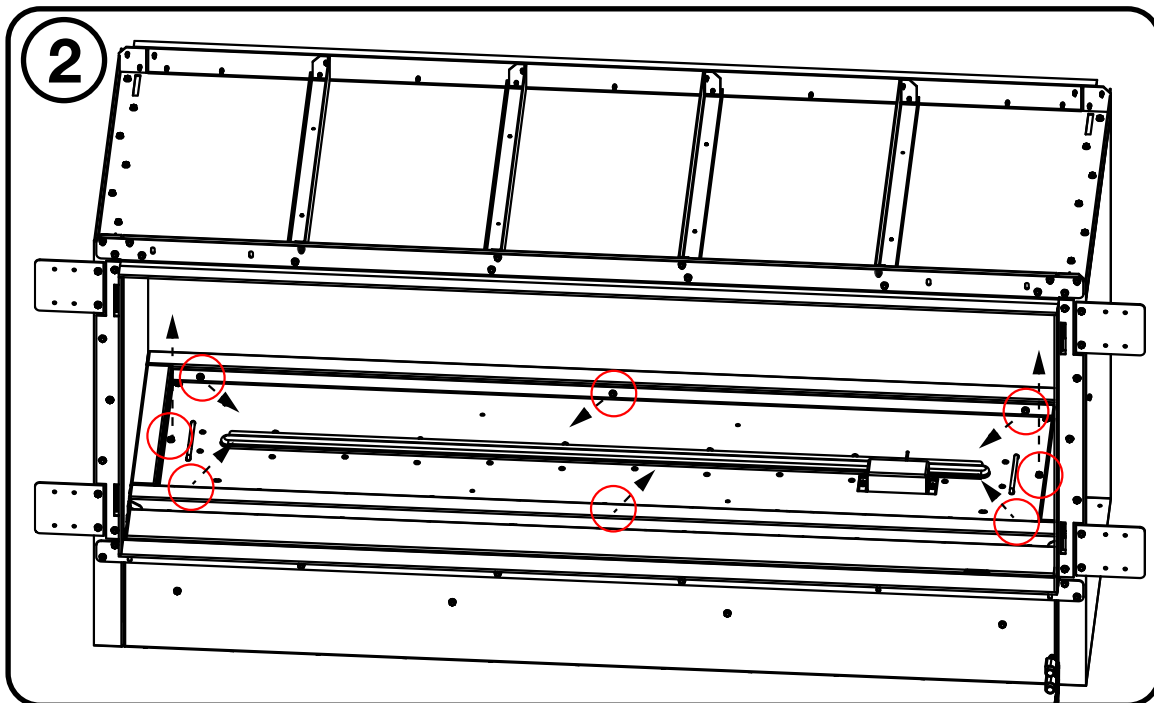
10.1 electrical internal access**! WARNING**

- Disconnect the power supply from the appliance before servicing. Turn off the appliance completely and let cool before servicing. Only a qualified service person should service and repair this electric appliance.

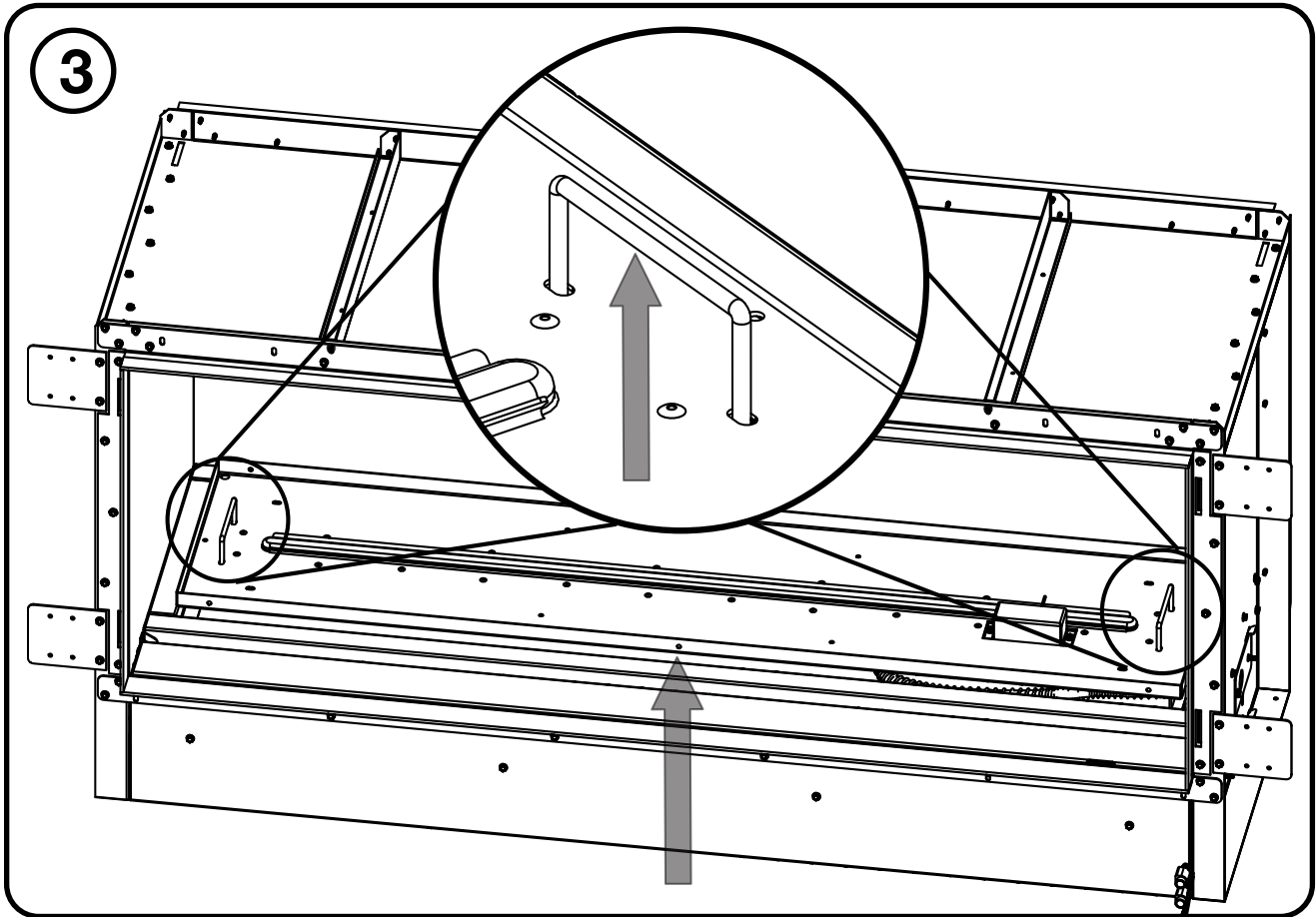
1. Remove glass shield (N300-0003) from the appliance.



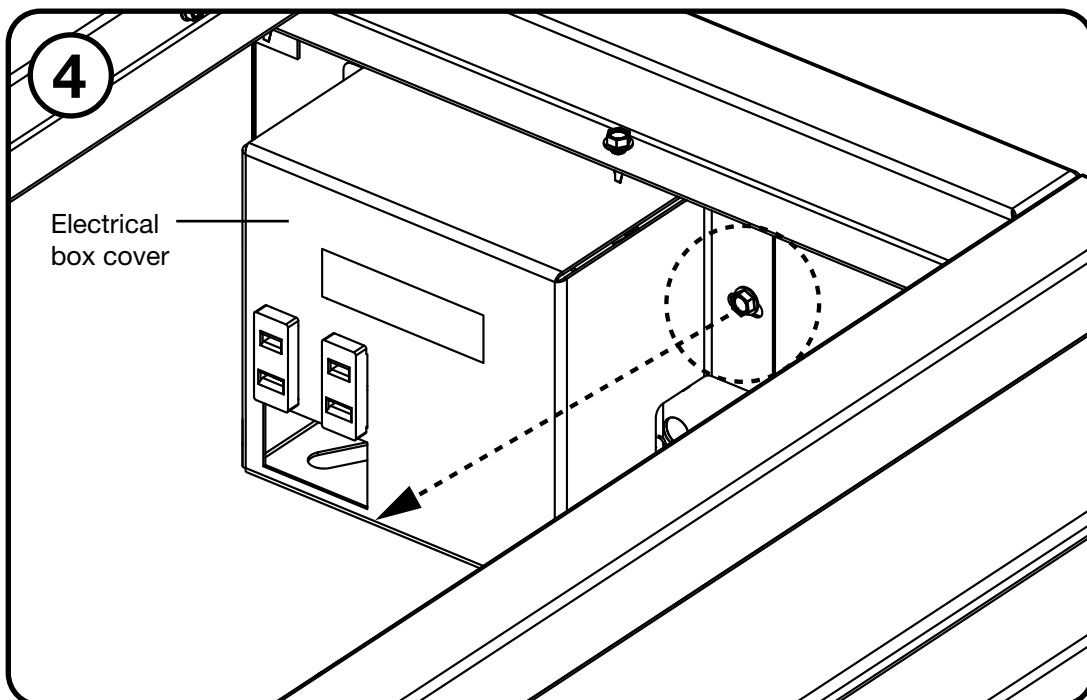
2. Remove ONLY the 8 screws (N570-0008) indicated in the illustration.



3. Lift the burner tray with the handles as illustrated. Set on its side. Take care not to damage pilot tube and wires.

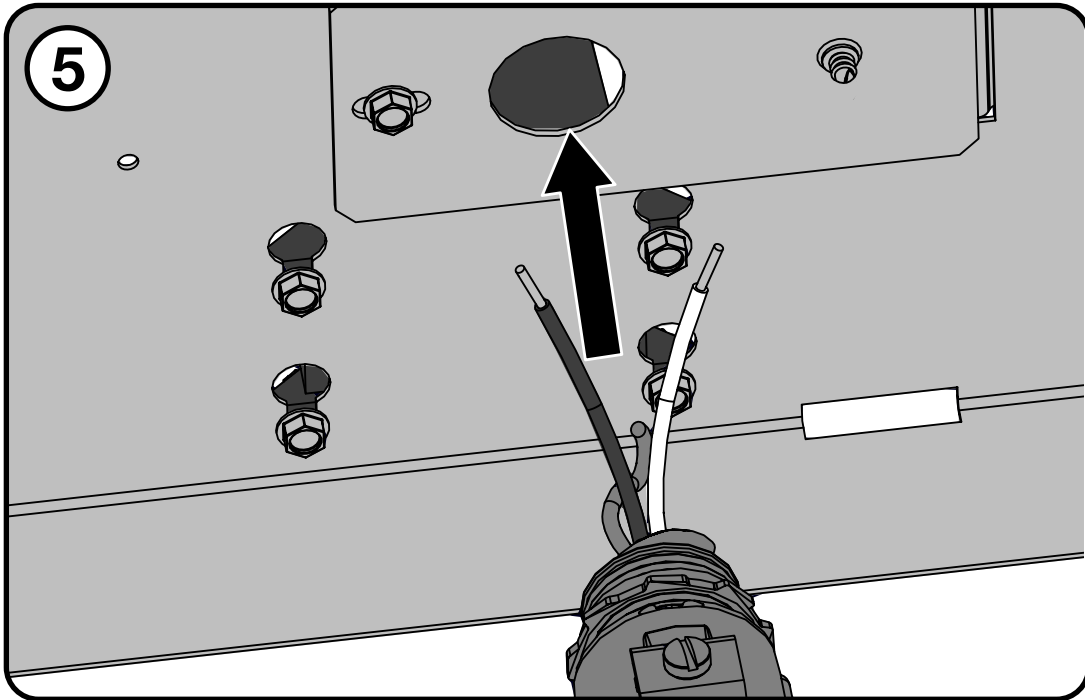


4. Remove the screw (N570-0008) from the electrical box cover. Remove the electrical box cover.

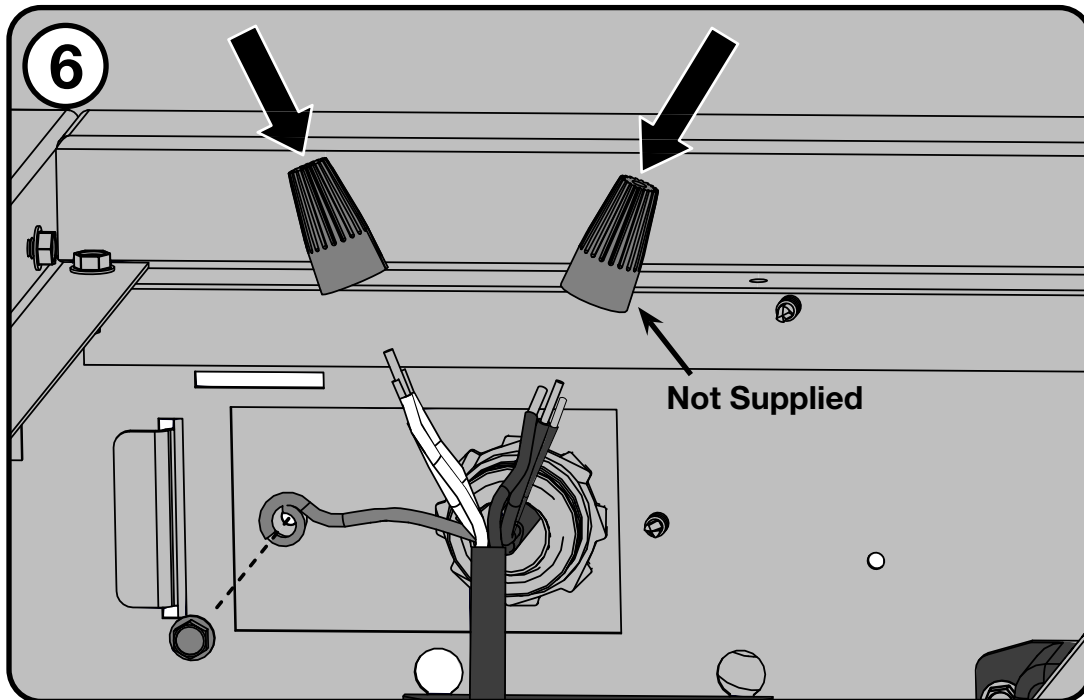


maintenance / cleaning instructions

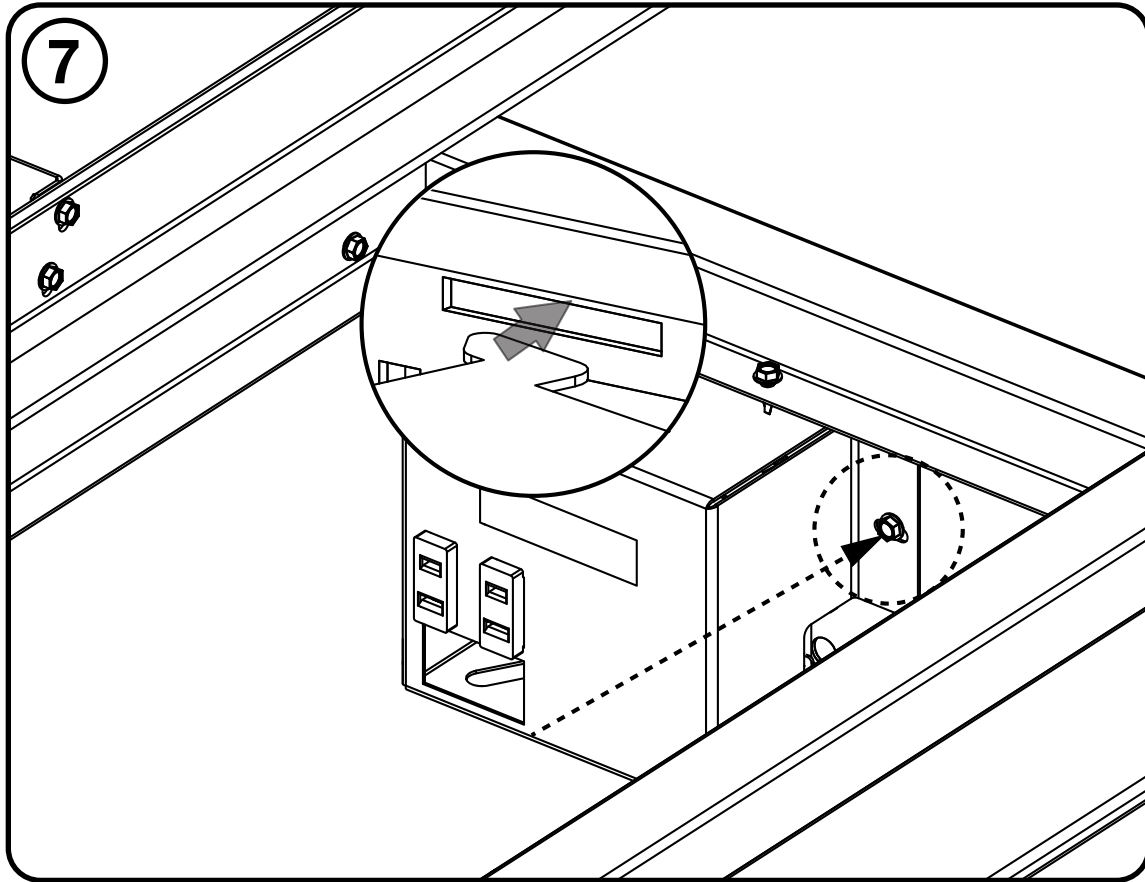
5. Install the box connection using the 7/8" (22.2mm) hole in the junction box.



6. Connect the Green ground wire to the junction plate using the ground screw as shown. Connect the common white wires together as shown, followed by the hot black wires as shown.



7. Re-install the electrical box as shown.



8. Re-install the burner tray with the handles as illustrated. Take care not to damage pilot tube and wires.
9. Re-install the glass shield.

11.0 replacement parts

WARNING

- Failure to position the parts in accordance with this manual or failure to use only parts specifically approved with this appliance may result in property damage or personal injury.

Contact your dealer for questions concerning prices and policies on replacement parts. Normally, all parts can be ordered through your Authorized dealer / distributor.

For warranty replacement parts, a photocopy of the original invoice will be required to honour the claim.

When ordering replacement parts always give the following information:

- Model & Serial Number of appliance
- Installation date of appliance
- Part number
- Description of part
- Finish

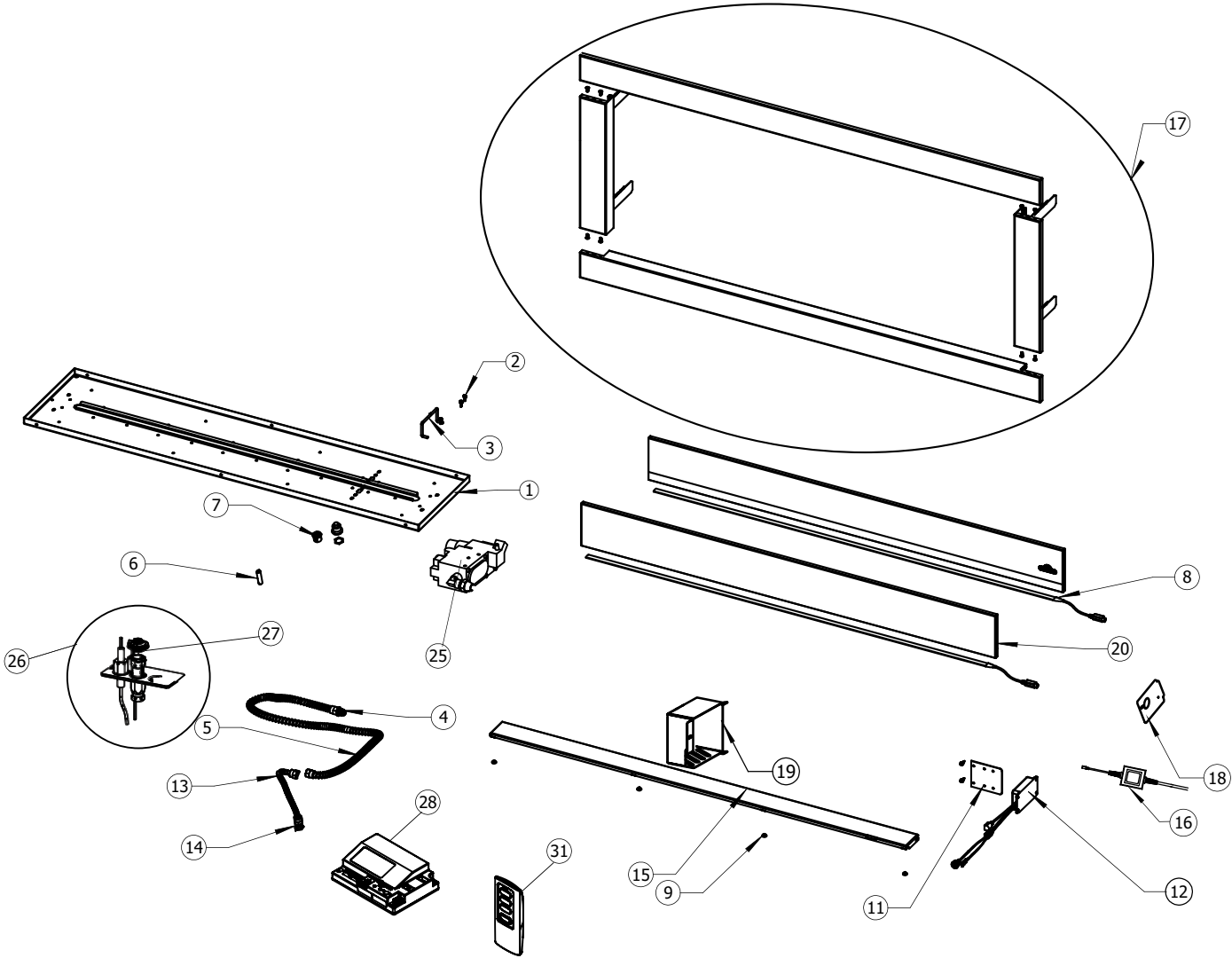
Parts, part numbers, and availability are subject to change without notice.

Parts identified as stocked will be delivered within 2 to 5 business days for most delivery destinations.

Parts not identified as stocked will be delivered within a 2 to 4 week period, for most cases.

Parts identified as 'SO' are special order and can take up to 90 days for delivery.

11.1 overview



LEGEND	
X	STANDARD
N	NATURAL GAS APPLIANCES ONLY
P	PROPANE APPLIANCES ONLY
AC	ACCESSORY

Ref.	Part No.	Description	LEGEND
1	W010-4982	ASSEMBLY, BURNER TRAY (GSS48E)	
2	N570-0008	#8 X 12" SCREW	X
3	N325-0074	HANDLE GLASS TRAY	
4	N455-0066	ORIFICE NATURAL #25	N
	W455-0076	ORIFICE PROPANE #43	P
5	N720-0062	FLEX CONNECTOR 30" X 3/8"	
6	W043-0004	BATTERY, A23 12V	
7	N660-0002	SWITCH LIGHT	
8	N750-0026	LED WIRING	
	W160-0095	CLIP WIRE	
9	N510-0002	SILICONE BUMPER	
10	N300-0003	GLASS SHIELD	
11	N665-0012	NAILING TAB	X
12	N190-0002	LED, CONTROLLER	
13	W175-0217	FLEX CONNECTOR C/W VALVE	
14	W445-0038	FITTING, 3/8"	
15	W200-0847	COVER, CONTROL PANEL (GSS48E)	
	N570-0096	THUMB SCREW	
16	W707-0033	LIGHT TRANSFORMER	
17	LT48SS	TRIM KIT, 1 PER SIDE	AC
18	N500-0057	JUNCTION BOX PLATE	X
19	W350-0964	ELECTRICAL HOUSING	
20	GSS48COV	STAINLESS STEEL COVER	
21	MKGA	GLASS EMBERS, AMBER 6LB	
	MKGC	GLASS EMBERS, CLEAR 6LB	
	MK GK	GLASS EMBERS, BLACK 6LB	
	MKGB	GLASS EMBERS, BLUE 6LB	
	MKGR	GLASS EMBERS, RED 6LB	AC
22	MRKL	MINERAL ROCK KIT LARGE	
23	DL45	DRIFTWOOD LOG SET	
24	W175-0745	CONVERSION KIT, NG TO LP (GSS48E)	
	W175-0746	CONVERSION KIT, LP TO NG (GSS48E)	
25	W725-0095	VALVE, DEXEN EI NAT (H3V NO-PURGE)	
	W725-0101	VALVE, DEXEN EI LP (H3V NO-PURGE)	
26	W010-4945	PILOT ASSEMBLY (NG)	
	W010-4972	PILOT ASSEMBLY (P)	
27	W455-0071	PILOT INJECTOR (NG)	
	W455-0049	PILOT INJECTOR (P)	X
28	W190-0209	CONTROL MODULE	
29	W750-0510	CONTROL MODULE POWER ADAPTOR	
30	W750-0511	WIRE HARNESS	
31	W660-0228	TRANSMITTER	
32	N300-0002	GLASS EMBERS - TOPAZ 2 X 7.5LBS	
33	W585-1004	PILOT SHIELD	

WARNING

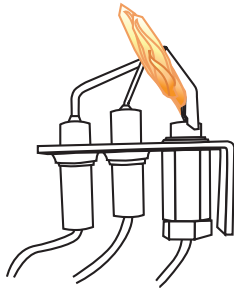
- Always light the pilot whether for the first time or if the gas supply has run out, with the glass door (where applicable) open or removed.
- Turn off gas and electrical power before servicing the appliance.
- Appliance may be hot. Do not service until appliance has cooled.
- Do not use abrasive cleaners

symptom	problem	test solution
---------	---------	---------------

Flames are consistently too large or too small. Carboning occurs.

Appliance is over-fired or under-fired.

- **Check pressure readings:**
Inlet pressure can be checked by turning screw (A) counter-clockwise 2 or 3 turns and then placing pressure gauge tubing over the test point. Gauge should read as described on the chart below. Check that main burner is operating on 'HI'. Outlet pressure can be checked the same as above using screw (B). Gauge should read as described on the chart below. Check that main burner is operating on 'HI'. **After taking pressure readings, be sure to turn screws clockwise firmly to reseal. DO NOT OVER TORQUE.** Leak test with a soap and water solution.



Pressure	Natural Gas (inches)	Natural Gas (millibars)	Propane (inches)	Propane (millibars)
Inlet	*7" (minimum 4.5")	17.4mb (minimum 11.2mb)	13" (minimum 11")	32.4mb (minimum 27.4mb)
Outlet	3.5"	8.7mb	10"	24.9mb

***Maximum inlet pressure not to exceed 13" w.c.**

Air shutter improperly adjusted.

- Return air shutter to factory-set opening.

For propane - improper lighting procedure.

- Ensure lighting procedure is followed carefully. The valve must be in the off position when the tank valve is turned on. Turn tank on slowly to allow pressure to equalize. See lighting instructions.

For natural gas - undersized supply line.

- Pipe must be sized according to installation code.

Burners burn with yellow flame, accompanied by the smell of gas.

Possible spider web or other debris.

- Thoroughly clean burner venturi. See "cleaning / maintenance instruction" section.

Carbon is being deposited on glass, logs, rocks, media, or combustion chamber surfaces.

Air shutter is blocked.
Flame is impinging on the glass, logs, rocks, media or combustion chamber.

- Ensure air shutter opening is free of lint or other obstructions.
- Ensure the media is positioned correctly in the appliance.
- Open air shutter to increase the primary air.
- Check the input rate: check the manifold pressure and orifice size as specified by the rating plate.

White / grey film forms.

Sulphur from fuel is being deposited on glass, logs, or combustion chamber surfaces.

- Clean the glass with a recommended gas fireplace glass cleaner. **DO NOT CLEAN GLASS WHEN HOT.**
- If deposits are not cleaned off regularly, the glass may become permanently marked.

Pilot will not light. Makes noise with no spark at pilot burner.

Wiring: short, loose, or damaged connections (poor flame rectification).

- Verify the thermocouple/sensor is clean and the wiring is undamaged.
- Verify the interrupter block is not damaged or too tight. Verify connections from pilot assembly are tight; also verify the connections are not grounding out to any metal. (Remember, the flame carries the rectification current, not the gas. If flame lifts from pilot hood, the circuit is broken. A wrong orifice or too high of an inlet pressure can cause the pilot flame to lift)*. The sensor rod may need cleaning.

No signal from remote with no pilot ignition.

- Reprogram receiver code.
- Replace receiver.

Poor grounding.

- Verify the valve and pilot assembly is properly grounded

Improper switch wiring.

- Troubleshoot the system with the simplest on/off switch.

Dirty, painted, or damaged pilot and/or dirty sensor rod.

- Clean sensor rod with a green Scotch-Brite™ pad to remove any contamination that may have accumulated. Verify continuity with multimeter with ohms set at the lowest range.

symptom	problem	test solution
Pilot sparks but will not light.	Gas supply.	<ul style="list-style-type: none"> - Verify that the incoming gas line ball valve is "open". - Verify that the inlet pressure reading is within acceptable limits, inlet pressures must not exceed 13" W.C.
	Out of propane gas.	<ul style="list-style-type: none"> - Fill the tank.
	Pilot supply line may contain air.	<ul style="list-style-type: none"> - Repeat ignition process several times or purge the pilot supply line.
	Incorrect wiring / grounding.	<ul style="list-style-type: none"> - Ensure correct polarity of wiring of thermocouple (if equipped). - Verify pilot assembly/valve are properly grounded.
	Receiver (if equipped).	<ul style="list-style-type: none"> - Reset program: hold reset button on receiver and wait for 2 beeps. Release after second beep. Press small flame button on remote within 20 seconds, you will hear an additional beep (this signals a successful reset). - Replace receiver.
	Valve.	<ul style="list-style-type: none"> - Check valve and replace if necessary (Do not to overtighten thermocouple).
Burner continues to spark and pilot lights but main burner does not light.	Short or loose connection in sensor rod.	<ul style="list-style-type: none"> - Verify all connections. Verify the connections from the pilot assembly are tight. Also, verify these connections are not grounding out to any metal.
	Dirty, painted, or damaged pilot assembly components.	<ul style="list-style-type: none"> - Clean using a green Scotch-Brite™ pad to remove any contamination that may have accumulated on the sensor rod, pilot hood, ignitor, or flame sensor. Verify continuity with multimeter with ohms set at the lowest range.
Remote and / or receiver is not functioning properly (if applicable).	Receiver or remote has low battery.	<ul style="list-style-type: none"> - Replace batteries. <div style="border: 1px solid black; padding: 2px; margin-top: 5px;"> <p>note: If back up batteries are installed, they must also be removed to re-program</p> </div>
	Appliance functions but does not respond to receiver / remote.	<ul style="list-style-type: none"> - Ensure appliance is being operated by the same device that turned it on. Remote controls function if appliance has turned on by remote. Receiver controls function if appliance was burned on by receiver.
	Error with synchronizing.	<ul style="list-style-type: none"> - Reset receiver and remote.
	Remote too far away from receiver.	<ul style="list-style-type: none"> - Refer to "wiring diagram" section.
	Wire connector pins are bent.	<ul style="list-style-type: none"> - Straighten pins.
	Valve wiring is damaged.	<ul style="list-style-type: none"> - Replace valve harness.
	Appliance won't perform any functions	No power to the system.
Receiver switch in wrong position (if equipped).		<ul style="list-style-type: none"> - Verify that the 3-position switch on the receiver is in the remote position (middle).
On/off switch in wrong position.		<ul style="list-style-type: none"> - Verify that the switch is in the "on" position.
Transmitter isn't operational (if required).		<ul style="list-style-type: none"> - Check battery power and battery orientation.
Light won't function (if applicable).	Light bulb burnt out.	<ul style="list-style-type: none"> - Change the bulb.
	Light harness damaged.	<ul style="list-style-type: none"> - Replace the harness.
	Switch in wrong position.	<ul style="list-style-type: none"> - Ensure switch is in "on" position.
	No power to lights.	<ul style="list-style-type: none"> - Ensure power transformer is plugged into junction box and lights are wired correctly.

NAPOLEON gas appliances are manufactured under the strict Standard of the world recognized ISO 9001 : 2015 Quality Management System.

NAPOLEON products are designed with superior components and materials, assembled by trained craftsmen who take great pride in their work. The burner and valve assembly are leak and test-fired at a quality test station. Once assembled, the complete appliance is thoroughly inspected by a qualified and authorized installer, service agency, or supplier before packaging to ensure that you, the customer, receives the quality product that you expect from NAPOLEON.

Napoleon Gas Appliance 5 Year Limited Warranty

All stainless steel components of your new NAPOLEON gas appliance are warranted against defects for five years.

Electrical (110V) components and wearable parts are covered and NAPOLEON will provide replacement parts free of charge during the first year of the limited warranty. This covers: gas valves, logs, and gasketing.*

Labour related to warranty repair is covered free of charge during the first year. Repair work, however, requires the prior approval of an authorized company official. Labour costs to the account of NAPOLEON are based on a predetermined rate schedule and any repair work must be done through an authorized NAPOLEON dealer.

* Construction of models vary. Warranty applies only to components included with your specific appliance.

Conditions and Limitations

NAPOLEON warrants its products against manufacturing defects to the original purchaser only. Registering your warranty is not necessary. Simply provide a proof of purchase along with the model number and serial number of the appliance to make a warranty claim. Provided that the purchase was made through an authorized NAPOLEON dealer your appliance is subject to the following conditions and limitations:

Warranty coverage begins on the date of original installation.

This limited warranty applies only while the appliance remains at the site of original installation, and only if the unit is installed in Canada or the United States.

This factory warranty is non-transferable and may not be extended whatsoever by any of our representatives.

Installation must be done in accordance with the installation instructions included with the product and all local and national building and fire codes.

This limited warranty does not cover damages caused by misuse, lack of maintenance, accident, alterations, abuse, or neglect and parts installed from other manufacturers will nullify this warranty.

This limited warranty further does not cover any scratches, dents, corrosion, or discolouring caused by excessive heat, abrasive and chemical cleaners, mechanical breakage of logs and embers.

In the first year only, this warranty extends to the repair or replacement of warranted parts which are defective in material or workmanship provided that the product has been operated in accordance with the operation instructions and under normal conditions.

After the first year, with respect to this Limited Warranty, NAPOLEON may, at its discretion, fully discharge all obligations with respect to this warranty by refunding to the original warranted purchaser the wholesale price of any warranted but defective part(s).

After the first year, NAPOLEON will not be responsible for installation, labour, or any other costs or expenses related to the reinstallation of a warranted part, and such expenses are not covered by this warranty.

Notwithstanding any provisions contained in this Limited Warranty, NAPOLEON'S responsibility under this warranty is defined as above and it shall not in any event extend to any incidental, consequential, or indirect damages.

This warranty defines the obligations and liability of NAPOLEON with respect to the NAPOLEON gas appliance and any other warranties expressed or implied with respect to this product; its components or accessories are excluded.

This limited warranty does not cover damages resulting from the use of components not supplied with the appliance or the use of fuel other than those specified.

Any damages to appliance due to weather, long periods of dampness, condensation, damaging chemicals, or cleaners will not be the responsibility of NAPOLEON.

NAPOLEON reserves the right to have its representative inspect any product or part thereof prior to honouring any warranty claim.

The manufacturer may require that defective parts or products be returned or that digital pictures be provided to support the claim. Returned products are to be shipped prepaid to the manufacturer for investigation. If a product is found to be defective, the manufacturer will repair or replace such defect.

Before shipping your appliance or defective components, your dealer must obtain an authorization number. Any merchandise shipped without authorization will be refused and returned to sender.

Shipping costs are not covered under this warranty.

Additional service fees may apply if you are seeking warranty service from a dealer.

Travel, diagnostic tests, shipping, and other related charges are not covered by this warranty.

All specifications and designed are subject to change without prior notice due to on-going product improvements. Napoleon is a registered trademark of Wolf Steel Ltd.

NAPOLEON CELEBRATING OVER 40 YEARS OF HOME COMFORT PRODUCTS



7200, Route Transcanadienne, Montréal, Québec H4T 1A3
24 Napoleon Road, Barrie, Ontario, Canada L4M 0G8
214 Bayview Drive, Barrie, Ontario, Canada L4N 4Y8
103 Miller Drive, Crittenden, Kentucky, USA 41030
De Riemsdijk 22, 4004 LC Tiel, The Netherlands

Phone: 1-866-820-8686
napoleon.com



MANUEL D'INSTALLATION ET D'OPÉRATION

Série Galaxy^{MD}
(GSS48E Illustré)

CONSIGNES DE SÉCURITÉ

! AVERTISSEMENT

Si ces instructions ne sont pas suivies à la lettre, un incendie ou une explosion pourraient s'ensuivre, causant des dommages matériels, des blessures corporelles ou des pertes de vie. Veuillez lire attentivement les instructions d'installation, d'utilisation, et d'entretien avant d'installer ou de réparer ce matériel.

- N'entreposez pas et n'utilisez pas d'essence ou ature liquids et vapeurs inflammables à proximité de cet appareil ou tout autre appareil.
- Une bouteille de propane qui n'est pas raccordée en vue de son utilisation, ne doit pas être entreposée dans le voisinage de cet appareil ou de tout autre appareil.

S'IL Y A UNE ODEUR DE GAZ:

- N'allumez aucun appareil.
- Coupez le gaz vers l'appareil.
- Éteignez toute flamme nue.
- Si l'odeur persiste, quittez immédiatement la zone.
- Ne touchez à aucun interrupteur électrique; n'utilisez aucun téléphone dans votre immeuble.
- Appelez immédiatement votre fournisseur de gaz d'un téléphone voisin. Suivez ses instructions.
- Si vous ne pouvez pas rejoindre votre fournisseur de gaz, appelez le service des incendies.

Le non-respect de ces instructions peut entraîner un incendie ou une explosion, ce qui peut entraîner des dommages matériels, des blessures corporelles ou la mort.

- L'installation et l'entretien doivent être faits par un installateur qualifié, une agence d'entretien, ou le fournisseur.

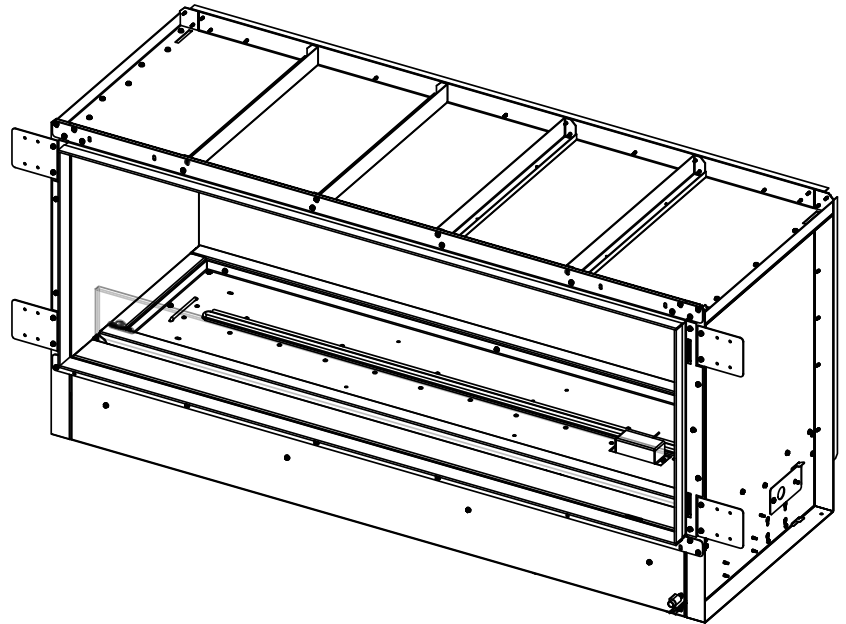
Cet appareil doit être utilisé uniquement avec le type de gaz indiqué sur la plaque d'homologation. Cet appareil ne peut être converti à d'autres gaz, sauf si une trousse de conversion est utilisée.

INSTALLATEUR:

Laissez ce manuel avec l'appareil

PROPRIÉTAIRE:

Conservez ce manuel pour consultation ultérieure



POUR USAGE EXTÉRIEUR SEULEMENT

CERTIFIÉ SELON LES NORMES NATIONALES CANADIENNES ET AMÉRICAINES:
ANSI Z21.97 ET CSA 2.41 POUR LES APPAREILS À GAZ DÉCORATIF EXTÉRIEUR

<p>DANGER</p>	<p>MONOXYDE DE CARBONE</p> <p>Cet appareil peut produire du monoxyde de carbone, un gaz inodore.</p>
	<p>L'utilisation de cet appareil dans des espaces clos peut entraîner la mort.</p> <p>Ne jamais utiliser cet appareil dans un espace clos comme un véhicule de camping, une tente, une automobile ou une maison.</p>

PRODUIT DÉCORATIF: NE PAS UTILISER COMME APPAREIL DE CHAUFFAGE

APPOSEZ L'ÉTIQUETTE DU NUMÉRO DE SÉRIE DU CARTON

N° de série XXXXXX000000

N° DE MODÈLE



⚠ **DANGER!** GAZ INFLAMMABLE SOUS PRESSION.

UNE FUITE DE GPL PEUT CAUSER UN INCENDIE OU UNE EXPLOSION SI ENFLAMMÉE ENTRAÎNANT DES BLESSURES CORPORELLES GRAVES OU LA MORT. COMMUNIQUER AVEC LE FOURNISSEUR DE GPL POUR LES RÉPARATIONS OU POUR DISPOSER DE CETTE BOUTEILLE OU DU GPL NON UTILISÉ.

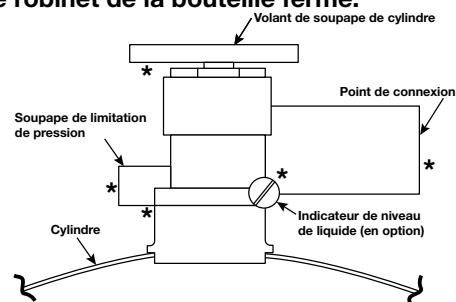
⚠ **AVERTISSEMENT!** POUR USAGE À L'EXTÉRIEUR SEULEMENT * N'UTILISEZ PAS NI ENTREPOSER LA BOUTEILLE DANS UN BÂTIMENT, UN GARAGE OU UN ENDROIT FERMÉ.

⚠ **AVERTISSEMENT:**

- Connaissez l'odeur du GPL. Si vous entendez, voyez ou sentez une fuite de GPL, éloignez immédiatement tout le monde de la bouteille et appelez les pompiers. N'essayez pas de réparer.
- Avertissez votre fournisseur de GPL de:
- (a) la bouteille de certian est purgée de l'air emprisonné avant le premier remplissage;
- (b) être certain de ne pas trop remplir la bouteille;
- (c) s'assurer que la date de requalification des bouteilles est vérifiée.
- Le GPL est plus lourd que l'air et peut se déposer dans des endroits bas tout en se dissipant.
- Le contact avec le contenu liquide du cylindre provoquera le gel des brûleurs sur la peau.
- Ne laissez pas les enfants toucher ou jouer avec la bouteille.
- Lorsqu'il n'est pas connecté pour l'utilisation, gardez la valve de la bouteille fermée. Les appareils autonomes doivent être limités à une bouteille d'une capacité de 30 lb ou moins.
- Ne pas utiliser, stocker ou transporter la bouteille dans un endroit où elle serait exposée à des températures élevées. La soupape de décharge peut s'ouvrir et permettre à une grande quantité de gaz inflammable de s'échapper.
- Lors du transport, maintenez la bouteille fixée en position verticale avec la valve de la bouteille fermée.

LORS DE LA CONNEXION POUR L'UTILISATION :

- Utilisez uniquement en conformité avec les codes applicables.
- Lisez et suivez les instructions du fabricant.
- Consultez les instructions du fabricant concernant le raccordement du cylindre fourni avec votre appareil.
- Assurez-vous que l'évent du régulateur ne pointe pas vers le haut.
- Fermez toutes les vannes de l'appareil.
- Ne vérifiez pas les fuites de gaz avec une allumette ou une flamme nue. Appliquez de l'eau savonneuse sur les zones marquées «X». Ouvrez la valve de la bouteille. Si une bulle apparaît, fermez la vanne et demandez à un technicien de service de GPL d'effectuer les réparations nécessaires.
- Vérifiez également les vannes et les raccords de l'appareil pour vous assurer qu'ils ne fuient pas avant d'allumer l'appareil.
- Allumez les appareils en suivant les instructions du fabricant.
- Lorsque l'appareil n'est pas utilisé, gardez le robinet de la bouteille fermé.



AVERTISSEMENT

- **Cet appareil est chaud lorsqu'il fonctionne et peut causer de graves brûlures en cas de contact.**
- **Toute modification apportée à cet appareil ou aux contrôles peut être dangereuse et est interdit.**
- Ne faites pas fonctionner l'appareil avant d'avoir lu et compris les instructions d'opération. Omettre d'utiliser l'appareil selon les instructions d'opération pourrait causer un incendie ou des blessures.
- S'assurez que la porte vitrée est ouvert ou retiré de l'appareil lorsque vous allumer le pilote pour la première fois et lorsque le gaz est épuisé.
- Risque d'incendie ou d'asphyxie, ne faites pas fonctionner l'appareil avec la vitre retirée et jamais obstruer l'ouverture sur le devant de l'appareil.

AVERTISSEMENT



LA VITRE CHAUDE CAUSERA DES BRÛLURES.

NE PAS TOUCHER LA VITRE AVANT QU'ELLE AIT REFROIDI.

NE JAMAIS LAISSER LES ENFANTS TOUCHER LA VITRE.

Une barrière conçu à réduire le risque de brûlures causées par le verre chaud est fourni avec l'appareil et doit être installé pour la protection des enfants et d'autres personnes à risque.

- Ne branchez pas la soupape à du courant 110 volts, avec les exception de modèles; GSST8 et GT8.
- Risque de brûlures. L'appareil doit être éteint et refroidi avant d'effectuer un entretien.
- N'installez pas de composants endommagés ou incomplets ni des composants substitués.
- Risque de coupures et d'éraflures. Portez des gants protecteurs, des chaussures de protection et des lunettes de sécurité lors de l'installation. Les bordures des pièces de métal peuvent être coupantes.
- Ne brûlez pas de bois ou autres matériaux dans cet appareil.
- Assurez-vous d'une quantité suffisante d'air de combustion et de ventilation. Prévoyez un accès suffisant pour entretenir et opérer l'appareil.
- Haute pression endommagera la soupape. Débrancher la tuyauterie d'alimentation en gaz avant de tester la pression de ligne de gaz à la pression d'essai au-dessus de 1/2 psig. Fermer l'arrêt manuelle du soupape avant de tester la pression de ligne de gaz à la pression égale ou inférieure à 1/2psig (35mb).
- L'appareil ne doit pas être utilisé au températures au-dessous de zero (32°F / 0°C). Permettre à l'appareil pour réchauffer au-dessus de zero avant le fonctionnement, avec l'exception de modèles; GSS36, GSS42; ces appareil sont adaptés pour 0°F / -18°C.
- **Les enfants et les adultes devraient être informés des dangers que posent les températures de surface élevées et se tenir à distance afin d'éviter des brûlures ou que leurs vêtements ne s'enflamment.**
- **Les jeunes enfants doivent être surveillés attentivement lorsqu'ils sont dans la même pièce que l'appareil. Les jeunes enfants et autres personnes à risque sont sujets aux brûlures accidentelles. Une barrière de protection est recommandée si des individus à risque se trouvent dans la maison. Afin de restreindre l'accès à l'appareil, installez une barrière de protection ajustable pour garder les jeunes enfants ou autres personnes à risque hors de la pièce et loin des surfaces chaudes.**
- **Les vêtements et autres matériaux combustibles ne doivent pas être posés sur l'appareil ou à proximité.**
- **En raison des températures élevées, l'appareil devrait être placé loin des endroits passants et loin des meubles et des rideaux.**
- Les meubles ou autres objets doivent être gardés à une distance d'au moins 4 pieds (1.22m) du devant de l'appareil.
- Assurez-vous de disposer de mesures de sécurité adéquates pour empêcher les jeunes enfants de toucher aux surfaces chaudes.
- Même une fois que l'appareil est éteint, l'appareil demeurera chaud pendant un temps prolongé.
- Consultez votre détaillant local de l'appareil pour connaître les écrans de protection et les protection du foyer offerts pour protéger les enfants des surfaces chaudes. Ces écrans de protection et les protection du foyer doivent être fixés au plancher.
- **Tout écrans de protection, garde ou barrière enlevés pour faire l'entretien devront être remis en place avant d'utiliser l'appareil.**
- Il est primordial de garder propres les compartiments de contrôle, les brûleurs, la soufflerie, les bouches d'air de l'appareil ainsi que le système d'évacuation. L'appareil et son système d'évacuation doivent être inspectés avant la première utilisation et au moins une fois l'an par un spécialiste en entretien. Un entretien plus fréquent pourrait être nécessaire en raison des peluches provenant des tapis, literie, etc. L'emplacement de l'appareil doit être gardé libre de tous matériaux combustibles, essence ou autres liquides et vapeurs inflammables.
- Si l'appareil s'éteint, n'allume pas l'appareil jusqu'à ce que vous donner de l'air frais. Si l'appareil continue de s'éteindre, faire réparer. Garder propres le brûleur et le compartiment de contrôle.
- Cet appareil ne devra être modifié en aucun cas.
- Ne laissez pas les ventilateurs souffler directement sur l'appareil. Empêchez les courants d'air de modifier l'apparence de la flamme.

AVERTISSEMENT

- N'utilisez pas une soufflerie intégrée, un échangeur de chaleur intégré ni un autre accessoire non approuvé pour cet appareil.
- Cet appareil ne doit pas être raccordé au conduit d'une cheminée desservant un autre appareil de chauffage à combustible solide.
- N'utilisez pas cet appareil si une partie quelconque a été submergée. Contactez immédiatement un technicien de service qualifié pour inspecter l'appareil et pour remplacer toute pièce du système de contrôle et du contrôle du gaz qui aurait été submergée.
- Ne pas opérer l'appareil lorsque la porte vitrée est enlevée, fissurée ou brisée. Le remplacement de la vitre devra être effectué par un technicien de service certifié ou qualifié, si équipé.
- Ne frappez pas et ne claquez pas la porte vitrée de l'appareil, si équipé.
- **Seulement les portes/façades certifiées pour l'appareil peuvent être utilisées avec cet appareil.**
- Gardez les matériaux d'emballage hors de la portée des enfants et mettez ces matériaux au rebut de façon sécuritaire. Comme tous les emballages de plastique, ces matériaux ne sont pas des jouets et doivent demeurer hors de la portée des enfants et des bébés.
- Le carbone ou la suie ne doit pas se produire dans un appareil sans événement car il peut être distribué dans une zone habitable de votre maison. Si vous remarquez des signes de carbone ou de suie, éteignez immédiatement votre appareil et arrangez-le pour le faire entretenir par un technicien qualifié avant de l'actionner à nouveau.
- Si équipé, l'écran doit être (fermez) en place pendant le fonctionnement de l'appareil.
- Lorsque l'appareil est muni de portes d'évacuation de pression, elles doivent demeurer fermées pendant le fonctionnement de l'appareil afin d'empêcher les gaz de combustion contenant du monoxyde de carbone de s'infiltrer dans la maison. La température des gaz de combustion s'échappant par ces ouvertures peut aussi causer les matériaux combustibles avoisinants à surchauffer et à prendre feu.
- L'empoisonnement au monoxyde de carbone peut conduire à la mort; les premiers signes d'une intoxication au monoxyde de carbone ressemblent à la grippe, avec céphalées, vertiges et/ou des nausées. Si vous présentez ces signes, l'appareil peut ne pas fonctionner correctement. Obtenir l'air frais! Faire réparer l'appareil. Certaines personnes; les femmes enceintes, les personnes ayant une maladie cardiaque ou pulmonaire, anémie, ceux sous l'influence de l'alcool, ceux à haute altitude sont plus touchés par le monoxyde de carbone que d'autres. Défaut de garder l'ouverture d'air primaire(s) du brûleur(s) propre peut entraîner la formation de suies et dommages à la propriété.
- Comme dans le cas de tout appareil à combustion, il est recommandé de faire inspecter et entretenir votre appareil régulièrement. De même, installez un détecteur de monoxyde de carbone dans la pièce pour vous protéger, ainsi que votre famille, contre les intoxications (pas applicable pour les appareils pour l'extérieure).
- Assurez-vous que les distances requises pour les dégagements aux matériaux combustibles sont respectées lorsque vous installez une tablette décorative ou des tablettes au-dessus de l'appareil. En raison des températures élevées, un téléviseur ou d'autres composants électroniques pourraient être endommagés prématurément ou ils pourraient fondre, se déformer ou se décolorer.
- **Pour les appareils avec une barrière; si la barrière est endommagée, elle devra être remplacée par la barrière conçu par le fabricant pour cet appareil.**
- **L'installation et la réparation devraient être effectuées par un technicien qualifié. Il est impératif que les compartiments de contrôle, le brûleur et les passages de circulation d'air soient gardés propres afin de fournir une combustion et une circulation d'air adéquates.**
- Produits pour l'extérieur seulement: Cet appareil ne doit pas être installé à l'intérieur ni dans une structure qui empêche la dissipation des gaz de combustion dans l'environnement extérieur.
- S'il y a lieu, la version de millivolt de cet appareil utilise et requiert un thermocouple à action rapide. Remplacez uniquement par un thermocouple à action rapide de Wolf Steel Itée.

 AVERTISSEMENT: Ce produit peut vous exposer à des substances chimiques incluant le plomb et les composés de plomb qui, selon l'État de Californie, causeraient le cancer, et des substances chimiques incluant le monoxyde de carbone qui, selon d'État de Californie, causeraient des malformations congénitales ou autres dangers pour la reproduction. Pour de plus amples renseignements, visitez le www.P65Warnings.ca.gov.

 AVERTISSEMENT/ADVERTENCIA 	
RISQUE D'INCENDIE / RETARD D'ALLUMAGE	RIESGO DE INCENDIO / PELIGRO DE ENCENDIDO DEMORADO
Une pression d'alimentation élevée peut endommager la soupape et ses composantes.	El suministro a alta presión dañará la válvula/los controles.
Débrancher la soupape de gaz de la ligne d'alimentation en gaz pendant les essais de pression de ce système lorsque les pressions excèdent 1/2 lb/po2 (3,5 kPa).	Desconectar la válvula/el control principal de gas del aparato del caño de suministro cuando se compruebe la presión del sistema a más de 1/2 psi (3.5 kPa).
Isoler l'appareil en fermant la soupape d'arrêt pendant tout essai de pression du système d'alimentation en gaz lorsque les pressions sont de 1/2 lb/po2 (3,5 kPa) ou moins.	Aislar el aparato con su válvula de cierre durante cualquier comprobación de la presión de la cañería de suministro a una presión igual o inferior a 1/2 psi (3.5 kPa).
	

1.0	information générale	50
1.1	air comburant et de ventilation	50
1.2	taux et efficacités	51
1.3	instructions générales	51
1.4	liste de pièces	52
1.5	information à propos de la plaque d'homologation	52
2.0	dimensions	53
2.1	GSS48E	53
2.2	GSS48STE	54
3.0	emplacement	55
4.0	ossature	56
4.1	dimensions d'ossature minimum	57
4.1.1	vue de face	57
4.1.2	vue d'arrière	57
4.2	support de fixation	58
4.3	dégagements aux matériaux combustibles	58
4.4	dégagements minimaux de l'enceinte (GSS48E - un côté)	59
4.5	dégagements minimaux de l'enceinte (GSS48STE - voir à travers)	60
4.6	dégagements minimaux de la tablette	61
4.7	installation du drain (recommandée)	61
5.0	installation de la garniture (optionnelle)	62
6.0	information électrique	65
6.1	connexion de câblage dur	65
6.2	schéma de câblage	67
6.3	schéma de câblage du lumière DEL	67
6.4	installation et opération de la télécommande	68
6.5	opération du module de contrôle	69
6.6	opération du lumière DEL	69
7.0	installation du gaz	70
7.1	raccordement au gaz	70
7.2	spécifications de la bouteille de propane	70
7.3	montage de bouteille de gaz propane	71
7.3.1	support de retenue de cylindre (propane)	71
7.4	enceintes pour systèmes d'alimentation en gaz propane	72
8.0	finitions	73
8.1	installation de braises de verre	73
8.2	installation d'ensemble de roche (optionnelle)	73
9.0	opération	74
10.0	entretien / instructions de nettoyage	76
10.1	accès électrique interne	78
11.0	pièces de rechange	82
11.1	vue d'ensemble	83
12.0	guide de dépannage	85
13.0	garantie	87

note:

L'information contenue dans ce manuel est jugée correcte au moment de l'impression. Wolf Steel Ltée. se réserve le droit de modifier toute information contenue dans ce manuel à tout moment sans préavis. Les modifications, autre que les éditoriaux, sont désignées par une ligne verticale dans la marge.

Installateur, veuillez remplir les informations suivants:

Client: _____
Adresse: _____
Date d'Installation: _____
Location de l'Appareil: _____
Installateur: _____
N° de Contact du Détaillant/Distributeur: _____
N° de Série: _____

Modèle:

Gaz Naturel: GSS48NE

Propane: GSS48PE

GSS48STNE

GSS48STPE

1.0 information générale

Lorsque l'appareil est installé à une altitude de plus de 4 500 pieds (1372m), et en l'absence de recommandations particulières de l'autorité compétente locale, l'indice certifié du débit à haute altitude devra être réduit au taux de 4% pour chaque 1 000 pieds (305m) supplémentaire. Les bruits causés par l'expansion et la contraction lors des cycles de chauffage et de refroidissement sont tout à fait normaux et il faut s'y attendre. Le changement de l'aspect de la flamme de « HI » à « LO » est plus évident pour le gaz naturel que pour le propane.

Il est fortement recommandée de protéger les bûches (si équipé) contre l'humidité (c.à.d. pluie, neige, etc.). Recouvrez l'ouverture de l'appareil lorsqu'il n'est pas en fonction.

Cet appareil est conçu pour fonctionner avec le type de combustible indiqué sur la plaque d'homologation. Cet appareil ne peut être converti à une autre type de combustible à moins d'utiliser un ensemble de conversion certifié.

L'enveloppe protectrice sur les pièces plaquées est mieux retirée lorsque l'assemblage est à température ambiante, mais cela peut être amélioré si l'assemblage est réchauffé, en utilisant un sèche-cheveux ou une source de chaleur similaire. L'enveloppe protectrice doit être retiré avant d'utiliser l'appareil.

Cet appareil est un produit décoratif. L'appareil n'est pas une source de chaleur et un combustible solide ne doit pas être utilisé avec cet appareil.



Les piles doivent être mises au rebut conformément aux lois et à la réglementation locales. Certaines piles peuvent être recyclées et acceptées dans votre centre de recyclage local. Renseignez-vous auprès de votre municipalité au sujet des directives de recyclage.

1.1 air comburant et de ventilation

Cet appareil est conçu pour être installé à l'extérieur tel que sur un patio ou dans votre cour. Il ne doit jamais être installé à l'intérieur d'une structure fermée et étanche.

Il est fortement recommandé d'installer cet appareil dans un endroit protégé. Les vents directs causeront des flammes irrégulières et possiblement des pannes de veilleuse et de brûleur principal.

Des flammes irrégulières peuvent aussi causer des dépôts de carbone excessifs (suie noire). Cette condition ne compromet pas la sécurité de l'appareil, mais est visuellement indésirable.

Des installations typiques peuvent comprendre des patios recouverts, des vérandas avec moustiquaires, des gazebo, ou des installations contre le mur extérieur de la maison.

Si vous installez un appareil alimenté au propane, le réservoir de propane doit toujours être situé à l'extérieur de la structure.

Assurez-vous que l'endroit possède une ventilation adéquate.

important:

Certain composants et ensembles décoratifs sont emballés séparément, et doivent être installés conformément aux directives de ce manuel.

1.2 taux et efficacités

Pour votre satisfaction, cet appareil a été mis à l'essai pour confirmer son fonctionnement et sa qualité.

	Gaz Naturel	Propane
Altitude (pi)	0-4 500	
Débit Maximale (BTU/h)	55 000	53 500
Min. Inlet Gas Supply Pressure	4,5" w.c. (1,12kPA)	
Max. Inlet Gas Supply Pressure	7" w.c. (1,74 kPA)	13" w.c. (3,23 kPA)
Manifold Pressure (Under Flow Conditions)	3,5" w.c. (0,87 kPA)	10" w.c. (2,49 kPA)

1.3 instructions générales

! AVERTISSEMENT

- N'obstruez jamais l'ouverture de l'appareil.
- Les objets placés devant l'appareil doivent être gardés à une distance d'au moins 48" (121.9cm) de la face vitrée de l'appareil.
- Risque d'incendie ou d'explosion.
- Les pressions élevées endommageront la soupape. L'alimentation en gaz doit être débranchée pendant les essais de pression de ce système lorsque les pressions d'essai excèdent 1/2lb/po² (3,5kPA). Fermez la soupape d'arrêt manuelle pendant tout essai de pression du système d'alimentation en gaz lorsque la pression est de 1/2lb/po² (3,5mb) ou moins.
- N'utilisez que les accessoires optionnels et les pièces de rechange approuvés par Wolf Steel Ltd. pour cet appareil. L'utilisation d'accessoires non listés (soufflerie, portes, persiennes, moulures, composants de gaz, composants d'évacuation, etc.) pourrait être non-sécuritaire et annulera la garantie et la certification.

CET APPAREIL AU GAZ DEVRAIT ÊTRE INSTALLÉ ET ENTRETENU PAR UN INSTALLATEUR QUALIFIÉ en se conformant aux codes locaux. Les pratiques d'installation peuvent varier d'une région à l'autre. Il est donc important de connaître les normes spécifiques qui s'appliquent à votre région. Par exemple dans l'état du Massachusetts:

- La soupape d'arrêt doit être un robinet à gaz avec une poignée en T.
- Le raccord flexible ne doit pas mesurer plus que 36 pouces (0.91m).



Nous suggérons que nos appareils au gaz soient installés et que l'entretien soit effectué par des professionnels certifiés par le National Fireplace Institute® (NFI) comme spécialiste du gaz NFI.

L'installation doit se conformer aux codes locaux ou, en l'absence de codes locaux, l'installation doit être conforme au Code d'installation du gaz naturel et du propane CSA B149.1 au Canada, ou au National Fuel Gas Code, ANSI Z223.1/ NFPA 54 aux États-Unis.

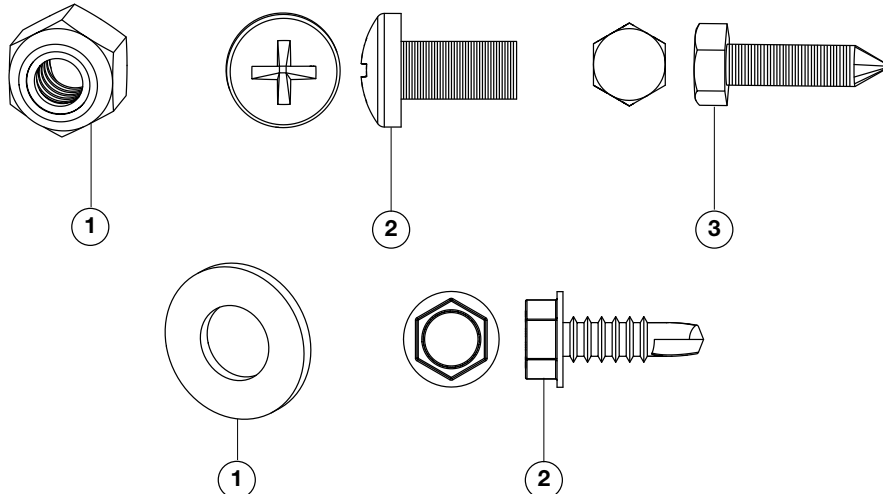
L'alimentation en gaz de l'appareil doit être débranchée pendant les essais de pression de ce système lorsque les pressions d'essai excèdent 1/2 lb/po² (3,5 kpa). Fermez la soupape d'arrêt manuelle pendant tout essai de pression du système d'alimentation en gaz lorsque la pression est de 1/2 lb/po² (3,5 mb) ou moins. Si la soufflerie ou ventilateur est installer la boîte de dérivation doit être branchée au circuit électrique et mise à la terre conformément aux codes locaux. En l'absence de codes locaux utilisez la version courante du Code Canadien de l'Électricité CSA C22.1 au Canada ou le National Electrical Code ANSI/NFPA 70 aux États-Unis. Dans le cas où le soufflerie est équipé d'un cordon d'alimentation il doit être connecté à une réceptacle correctement mise à la terre. La fiche de mise à la terre ne doit pas être retiré du cordon d'alimentation.

Lorsque l'appareil est installé directement sur une surface combustible autre que le bois, l'appareil devra être monté sur un panneau continu de métal ou de bois se prolongeant sur toute la largeur et la profondeur. Les combustibles solides ne doivent pas être brûlés dans cet appareil.

information générale

FR

1.4 liste de pièces



	DESCRIPTION	N° DE PARTIE	QUANTITÉ
1	Écour, Hexagonale 1/4-20	W450-0032	1
2	Vis, Robertson 1/4-2	W570-0047	1
3	Vis de Retard 1/4-1	W570-0059	1
4	Plaque de rondelle 1/2"	W735-0003	1
5	Vis, Hexagonale 8-1/2	N570-0008	32

note:
Seulement des attaches fournies avec l'appareil sont illustrées.

1.5 information à propos de la plaque d'homologation

CAUTION : THE GAS PRESSURE REGULATOR PROVIDED WITH THIS APPLIANCE MUST BE USED. THIS REGULATOR IS SET FOR AN OUTLET PRESSURE OF 3.5 INCHES WATER COLUMN FOR NG AND 10 INCHES WATER COLUMN FOR PROPANE. THE GAS SUPPLY MUST BE TURNED OFF AT THE PROPANE-GAS SUPPLY CYLINDER WHEN THIS APPLIANCE IS NOT IN USE. DO NOT STORE OR USE GASOLINE OR OTHER FLAMMABLE VAPOURS AND LIQUIDS IN THE VICINITY OF THIS OR ANY OTHER APPLIANCE. AN PROPANE-CYLINDER NOT CONNECTED FOR USE SHALL NOT BE STORED IN THE VICINITY OF THIS OR ANY OTHER APPLIANCE. DO NOT CONNECT TO A REMOTE GAS SUPPLY. IMPROPER INSTALLATION, ADJUSTMENT, ALTERATION, SERVICE OR MAINTENANCE CAN CAUSE INJURY OR PROPERTY DAMAGE. READ THE INSTALLATION, OPERATING AND MAINTENANCE INSTRUCTIONS THOROUGHLY BEFORE INSTALLING OR SERVICING THIS EQUIPMENT. REFER TO THE OWNER'S MANUAL PROVIDED WITH THIS APPLIANCE. FOR ASSISTANCE OR ADDITIONAL INFORMATION, CONSULT A QUALIFIED INSTALLER, SERVICE AGENCY OR GAS SUPPLIER. MUST NOT BE USED FOR COOKING. FOR OUTDOOR USE ONLY. IF STORED INDOORS, DETACH AND LEAVE CYLINDER OUTDOORS.

ATTENTION : LE RÉGULATEUR DE PRESSION DE GAZ FOURNI AVEC CET APPAREIL DOIT ÊTRE UTILISÉ. CE RÉGULATEUR EST RÉGLÉ POUR UNE PRESSION DE SORTIE DE 3,5 POUCES D'UNE COLONNE D'EAU POUR NG ET 10 POUCES D'UNE COLONNE D'EAU POUR PROPANE. LORSQUE CET APPAREIL N'EST PAS UTILISÉ, VOUS DEVEZ FERMER L'ALIMENTATION EN GAZ SUR LA BONBONNE DE PROPANE. N'ENTRÉPOSEZ PAS ET N'UTILISEZ PAS D'ESSENCE OU AUTRES LIQUIDES ET VAPEURS INFLAMMABLES À PROXIMITÉ DE CET APPAREIL, OU D'AUTRE APPAREIL. UNE BOUTEILLE DE PROPANE QUI N'EST PAS RACCORDEE EN VUE DE SON UTILISATION, NE DOIT PAS ÊTRE ENTRÉPOSÉE DANS LE VOISINAGE DE CET APPAREIL, OU DE TOUT AUTRE APPAREIL. NE CONNEXEZ PAS À UNE FOURNITURE DE GAZ À DISTANCE. UNE INSTALLATION NON CONFORME, DES AJUSTEMENTS, DES ALTERNATIONS, UN SERVICE OU UN ENTRETIEN INADEQUATS PEUVENT CAUSER DES DOMMAGES À LA PROPRÉTÉ OU DES BLESSURES CORPORELLES. VEUILLEZ LIRE ATTENTIVEMENT LES INSTRUCTIONS D'INSTALLATION, D'UTILISATION ET D'ENTRETIEN AVANT D'INSTALLER OU DE RÉPARER CE MATÉRIEL. RÉFÉREZ-VOUS AU MANUEL D'INSTRUCTIONS FOURNI AVEC CET APPAREIL POUR DE L'ASSISTANCE OU POUR PLUS D'INFORMATION, CONSULTEZ UN INSTALLATEUR QUALIFIÉ, UNE AGENCE D'ENTRETIEN OU LE FOURNISSEUR DE GAZ. NE PAS UTILISER POUR LA CUISSON. POUR USAGE EXTERIEUR SEULEMENT. SI ENTREPOSÉ À L'INTÉRIEUR, DÉTACHER LA BONBONNE DE PROPANE ET LA LAISSER À L'EXTÉRIEUR.

NOT FOR USE WITH SOLID FUEL / UN COMBUSTIBLE SOLIDE NE DOIT PAS ÊTRE UTILISÉ AVEC CET APPAREIL

WARNING: THIS FIREPLACE USES AND REQUIRES A FAST ACTING THERMOCOUPLE. REPLACE ONLY WITH A FAST ACTING THERMOCOUPLE SUPPLIED BY WOLF STEEL LTD. DO NOT ADD ANY MATERIAL TO THE APPLIANCE, WHICH WILL COME IN CONTACT WITH THE FLAMES, OTHER THAN THAT SUPPLIED BY THE MANUFACTURER WITH THE APPLIANCE. MINIMUM CLEARANCE TO COMBUSTIBLE MATERIALS. /

AVERTISSEMENT: CE FOYER UTILISE ET REQUIERT UN THERMOCOUPLE À ACTION RAPIDE. REMPLACEZ UNiquement UN THERMOCOUPLE À ACTION RAPIDE DE WOLF STEEL LTD. NE JOUITEZ PAS À CET APPAREIL, AUCUN MATÉRIEL EN CONTACT AVEC LES FLAMMABLES AUTRE QUE CELUI QUI EST FOURNI AVEC CET APPAREIL PAR LE FABRICANT. DÉGAGEMENTS MINIMAUX DES MATÉRIELS COMBUSTIBLES. /

CEILING / PLAFOND 36" / 915mm
FLOOR / SOL 6" / 152mm
BACK / ARRIÈRE 6"

SEE INSTALLATION INSTRUCTIONS FOR FRAMING CLEARANCES. / VOIR LES DÉGAGEMENTS AUX MATÉRIELS D'OSSATURE, VOIR LE MANUEL D'INSTRUCTIONS.

ÉCHANGILLO

<input type="checkbox"/> GSS48N	<input type="checkbox"/> MODEL	<input type="checkbox"/> GSS48P
<input type="checkbox"/> GSS48STN	<input type="checkbox"/> INPUT / ALIMENTATION	<input type="checkbox"/> GSS48STP
(0.8940BTU (0.1370TJ))	(INPUT / ÉLEVATION)	(0.8940BTU (0.1370TJ))
(55,000 BTU/h (16,100W))	REDUCED INPUT / ALIMENTATION RÉDUITE	(55,000 BTU/h (16,100W))
(35,000 BTU/h (10,300W))		(40,000 BTU/h (11,700W))

MANIFOLD PRESSURE: 3.5" (0.87kPa) WATER COLUMN
PRESSION AU COLLECTEUR: 3.5" (0.87kPa) D'UNE COLONNE D'EAU

MINIMUM SUPPLY PRESSURE: 4.5" (1.12kPa) WATER COLUMN
PRESSION D'ALIMENTATION MINIMALE: 4.5" (1.12kPa) D'UNE COLONNE D'EAU

MAXIMUM SUPPLY PRESSURE: 7.0" (1.74kPa) WATER COLUMN
PRESSION D'ALIMENTATION MAXIMALE: 7.0" (1.74kPa) D'UNE COLONNE D'EAU

For natural gas when equipped with No. 25 drill size orifice.
For propane when equipped with No. 43 drill size orifice.

Convient au gaz naturel quand l'appareil est muni d'un injecteur de diamètre no. 25.
Convient au propane quand l'appareil est muni d'un injecteur de diamètre no. 43.

DANGER CARBON MONOXIDE HAZARD
This appliance can produce carbon monoxide which can be lethal.
Utilisez à un endroit où il y a de l'air.
Ne pas utiliser cet appareil dans un espace clos sans ventilation.
Ne jamais utiliser cet appareil dans un espace clos sans ventilation.
Ce produit peut produire du monoxyde de carbone, un gaz toxique.
L'utilisation de cet appareil dans des espaces clos peut entraîner la mort.
Ne jamais utiliser cet appareil dans un espace clos sans ventilation.
Ce produit peut produire du monoxyde de carbone, un gaz toxique.
L'utilisation de cet appareil dans des espaces clos peut entraîner la mort.

CERTIFIED UNDER / HOMOLOGUÉ SELON LES NORMES: ANSI Z21.57-2011 - CSA 2.41-2017, OUTDOOR GAS FIREPLACE / FOYER AU GAZ EXTERIEUR

REF. NO. 161746
NO. DE REF. 161746

9700530 (W5L) 4001657 (W3Z)
4001658 (W4C) 4001659 (W5A)

WOLF STEEL LTD.
24 NAPOLEON ROAD, BARRIE, ON, L4M 0S8 CANADA

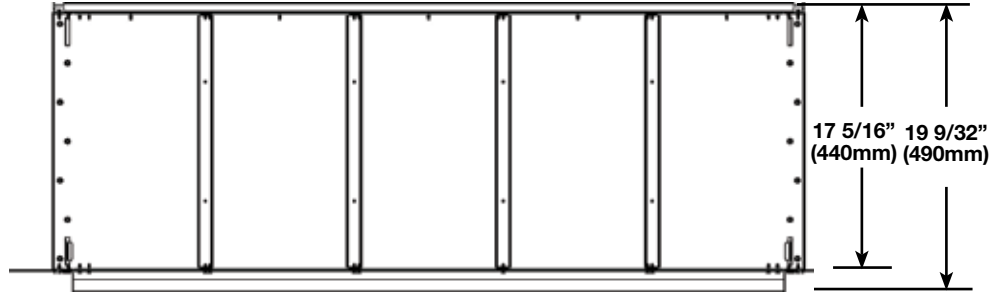
SERIAL NUMBER/NO. DE SÉRIE: **GSS48** W385-2583

Cette illustration est à titre de référence seulement. Consultez la plaque d'homologation pour obtenir l'information précise.

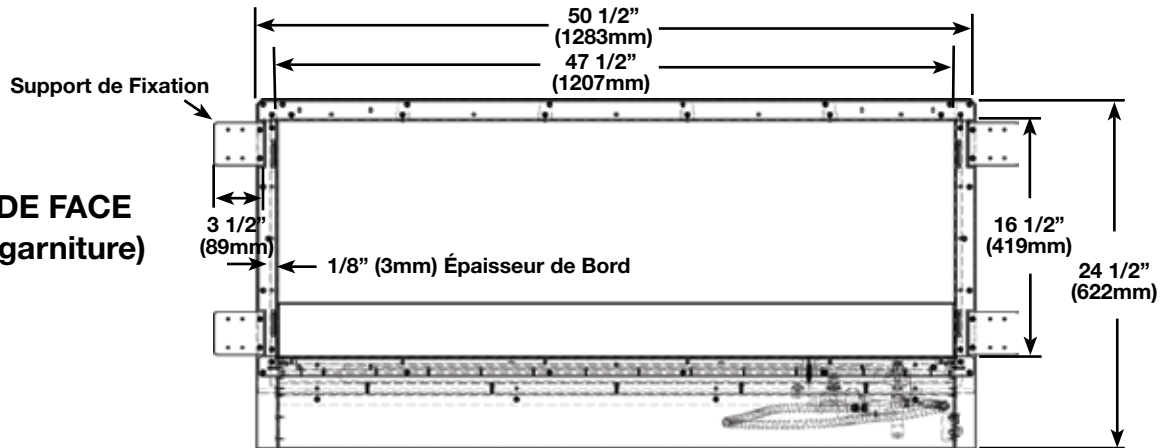
note:
La plaque d'homologation doit rester avec l'appareil à tout instant. Elle ne doit pas être enlevée.

2.1 GSS48E

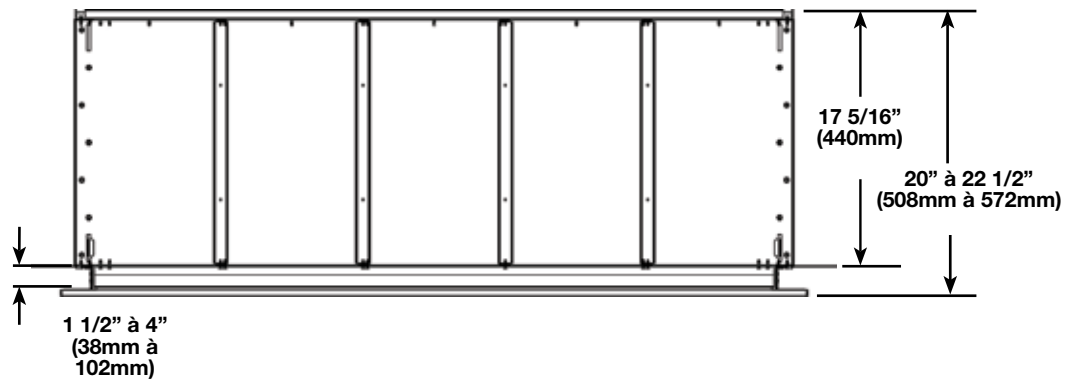
**VUE DE DESSUS
(sans garniture)**



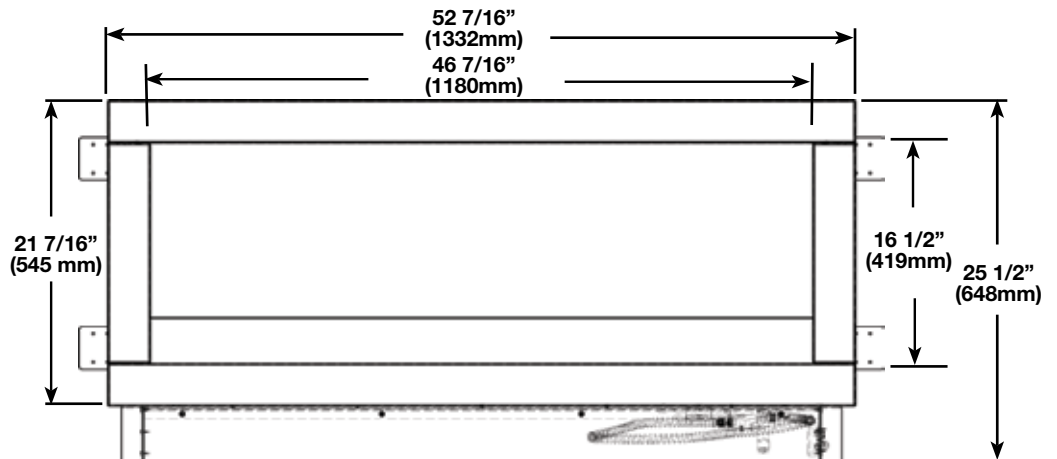
**VUE DE FACE
(sans garniture)**



**VUE DE DESSUS
(avec garniture)**



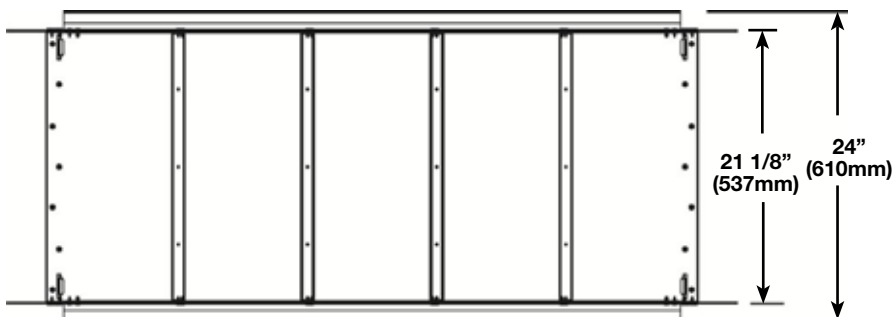
**VUE DE FACE
(avec garniture)**



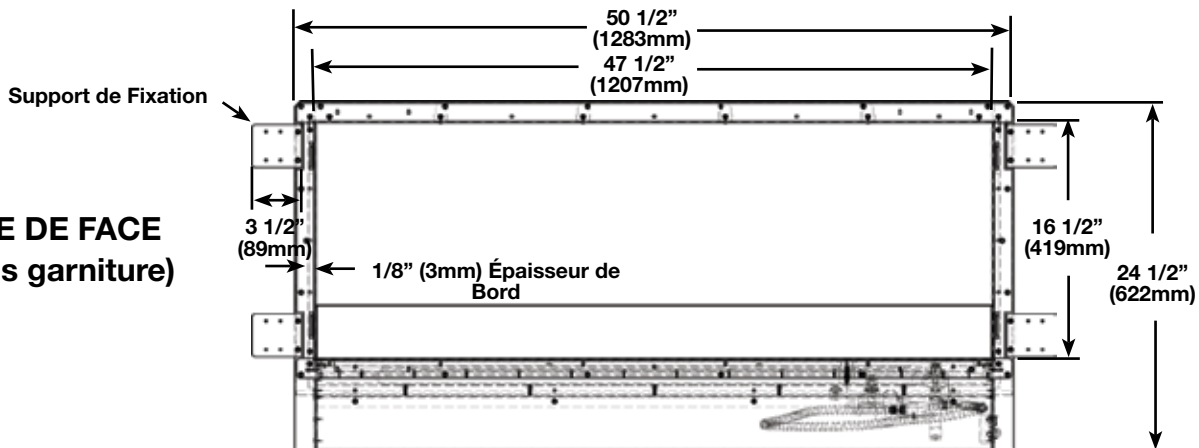
dimensions

FR 2.2 GSS48STE

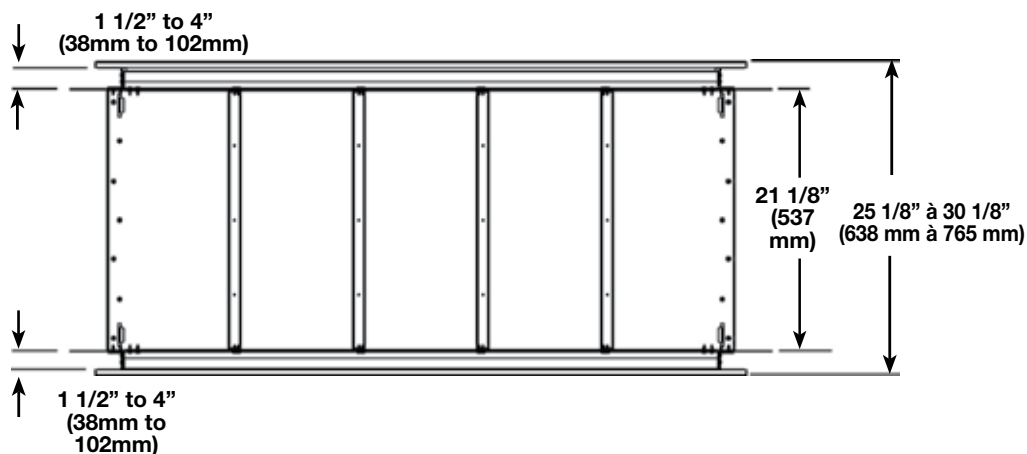
**VUE DE DESSUS
(sans garniture)**



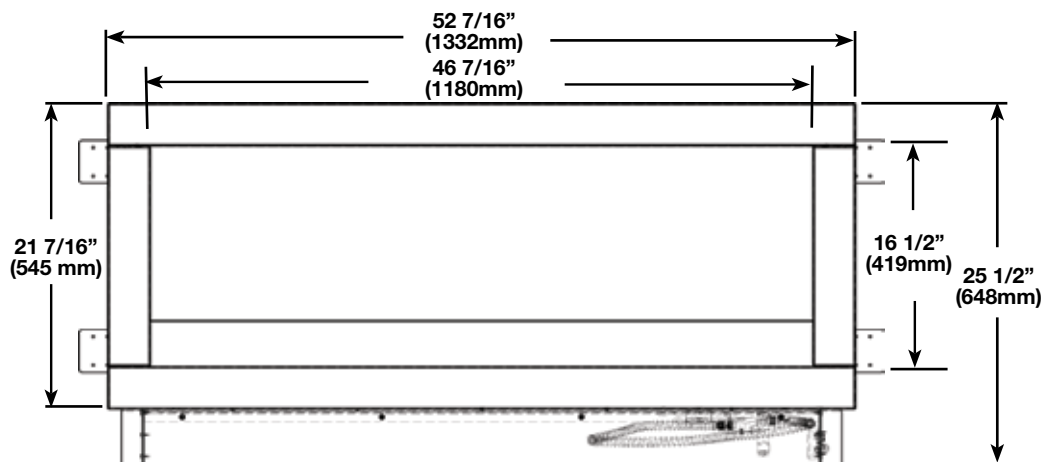
**VUE DE FACE
(sans garniture)**



**VUE DE DESSUS
(avec garniture)**



**VUE DE FACE
(avec garniture)**



Lors du choix d'un emplacement de votre appareil extérieur, il est important d'assurer que le dégagement près des matériaux combustibles adjacents est respecté. Cet appareil est conçu pour être installé sur votre terrasse ou dans votre cour arrière. Il est fortement recommandé que cet appareil soit installé dans un endroit couvert (selon les directives énoncées ci-dessous). Un vent direct provoquera une flamme irrégulière et possiblement une panne de veilleuse ou de brûleur. Une flamme irrégulière pourrait également entraîner des dépôts de carbone excessifs (suie noire). Cela n'affecte pas la sécurité, mais est visuellement indésirable.

note:

Lorsque vous choisissez un emplacement pour votre appareil, prenez soin d'éviter les endroits trop humides ou à proximité de sources d'eau courantes.

Tout enceinte (abri) dans laquelle l'appareil est utilisé doit être conforme à l'un des éléments suivants:

Installation à l'intérieur d'une enceinte qui comporte des murs de chaque côté, mais au moins une ouverture permanente au niveau du sol et aucun recouvrement sur le dessus. **(Fig. 1).**

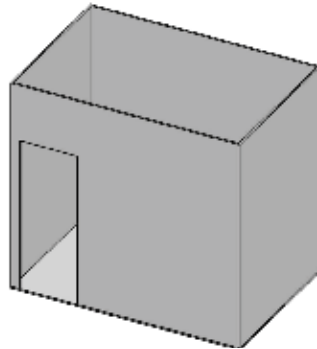


Fig. 1

Installation à l'intérieur d'une enceinte partielle qui comprend un recouvrement sur le dessus et deux murs latéraux au maximum. Ces murs peuvent être parallèles l'un par rapport à l'autre, comme dans un passage couvert, ou former un angle droit **(Fig. 2).**

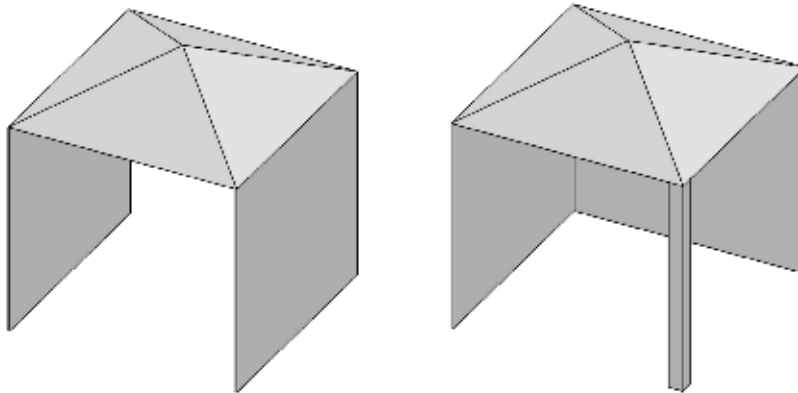


Fig. 2

L'installation à l'intérieur d'une enceinte partielle qui comprend un recouvrement sur le dessus et trois murs latéraux, dans la mesure où 30 percent plus de la périphérie horizontale de l'enceinte est ouverte en permanence **(Fig.3).**

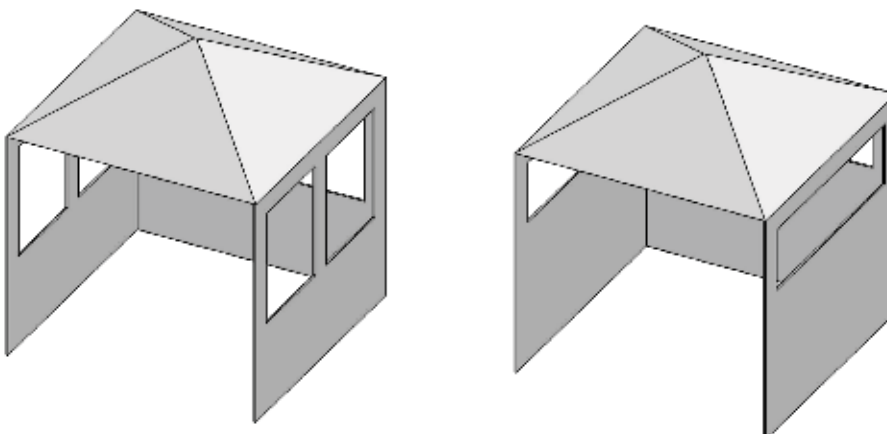


Fig. 3

4.0 ossature

FR

note:

Lorsque vous installez les accessoires de finition optionnelles, les dimensions de l'ossature et les matériaux de finition peuvent différer de ce qui est décrit dans ces instructions ci-dessous, voir les instructions fournies dans le trousse de l'accessoire pour les spécifications détaillées.

AVERTISSEMENT

- Risque d'incendie!
- Afin d'éviter la possibilité que de l'isolation ou un coupe-vapeur entrent en contact avec l'extérieur du caisson, il est conseillé d'installer l'appareil contre des murs finis (C.-À-D. panneau de gypse) comme tout autre mur de la maison. Ceci assurera que les dégagements aux matériaux combustibles est maintenu.
- Ne faites pas d'entailles à l'ossature autour des espaceurs. Ne pas maintenir les dégagements peut causer une surchauffe et un incendie. Empêchez tout contact avec de l'isolant qui s'affaisse, avec l'ossature ou avec tout autre matériau combustible. Bloquez l'entrée de l'enceinte pour empêcher l'infiltration d'isolant soufflé. Assurez-vous que l'isolation et les autres matériaux sont bien fixés.
- Lorsque vous construisez l'enceinte, prévoyez l'épaisseur des matériaux de finition pour maintenir les dégagements. Si l'ossature ou les matériaux de finition se trouvent à une distance inférieure à celle indiquée, ils doivent être faits d'acier, de fer, de brique, de tuile, de béton, d'ardoise, de verre ou de plâtre, ou d'une combinaison de ces matériaux sont appropriés. Les matériaux répondant à la norme ASTM E 136, méthode de test standard du comportement des matériaux dans une fournaise avec tube vertical à 1382°F (750°C), et à la norme UL763 sont considérés comme étant des matériaux non combustibles.
- Afin d'éviter un risque d'incendie, les dégagements minimaux aux matériaux combustibles doivent être maintenus.
- L'enceinte de l'appareil doit respecter la hauteur minimale requise. Mesurez à partir de la base de l'appareil.
- Si des ensembles de montants en acier avec panneau de ciment sont fournis, ou spécifié dans les instructions d'installation, ils doivent être installés.
- Si spécifié dans les instructions d'installation, les matériaux de finition doivent être non-combustibles placé éclat avec le face de l'appareil étendue du sommet de l'appareil comme le conseil de ciment, le carreau en céramique, le marbre, etc. N'utilisez pas des bûches ou le cloison sèche. N'importe quel feu à évalué du cloison sèche n'est pas acceptable.

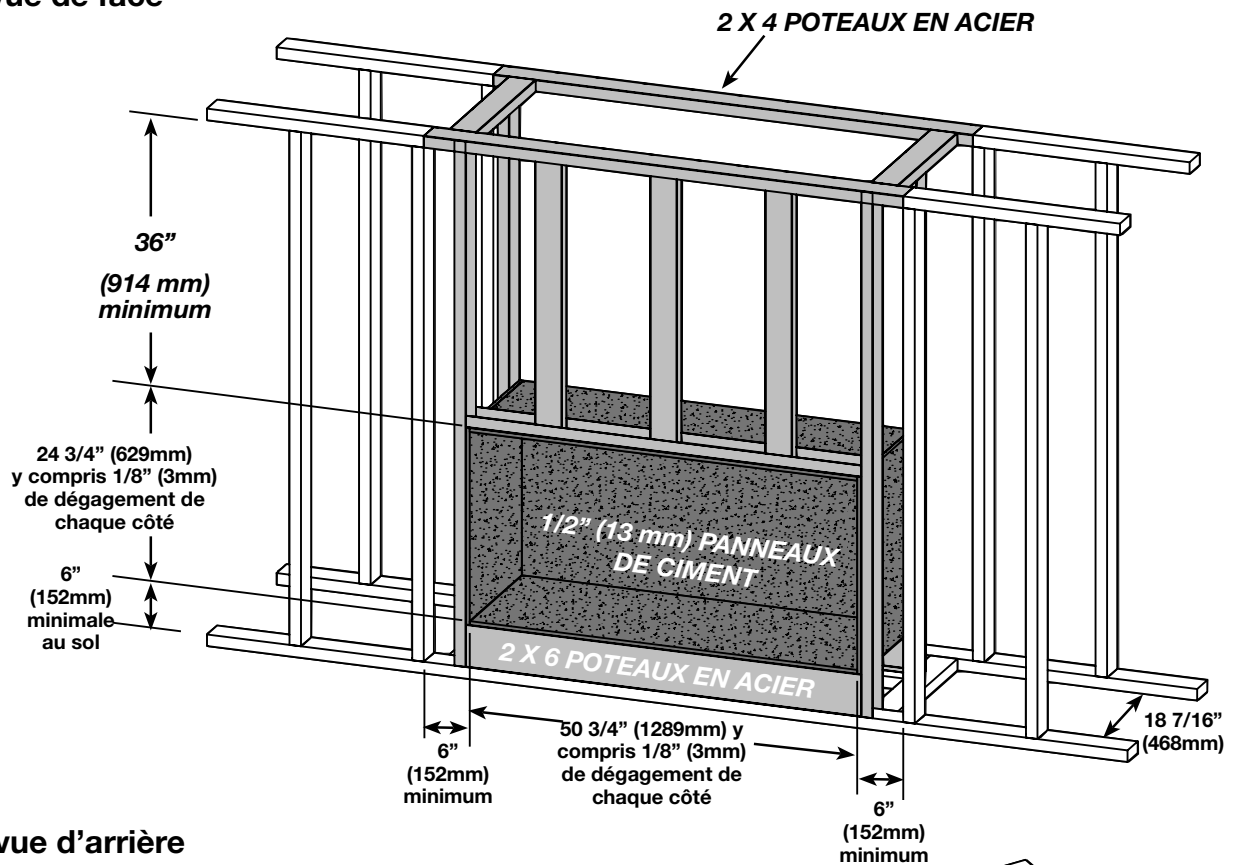
Il est recommandé d'installer l'appareil contre des murs finis. Ceci assurera que les dégagements aux matériaux combustibles sont maintenus dans la cavité. Il est recommandé d'encadrer votre appareil après son positionnement. Utilisez des 2 x 4s et suivez les codes locaux.

4.1 dimensions d'ossature minimum

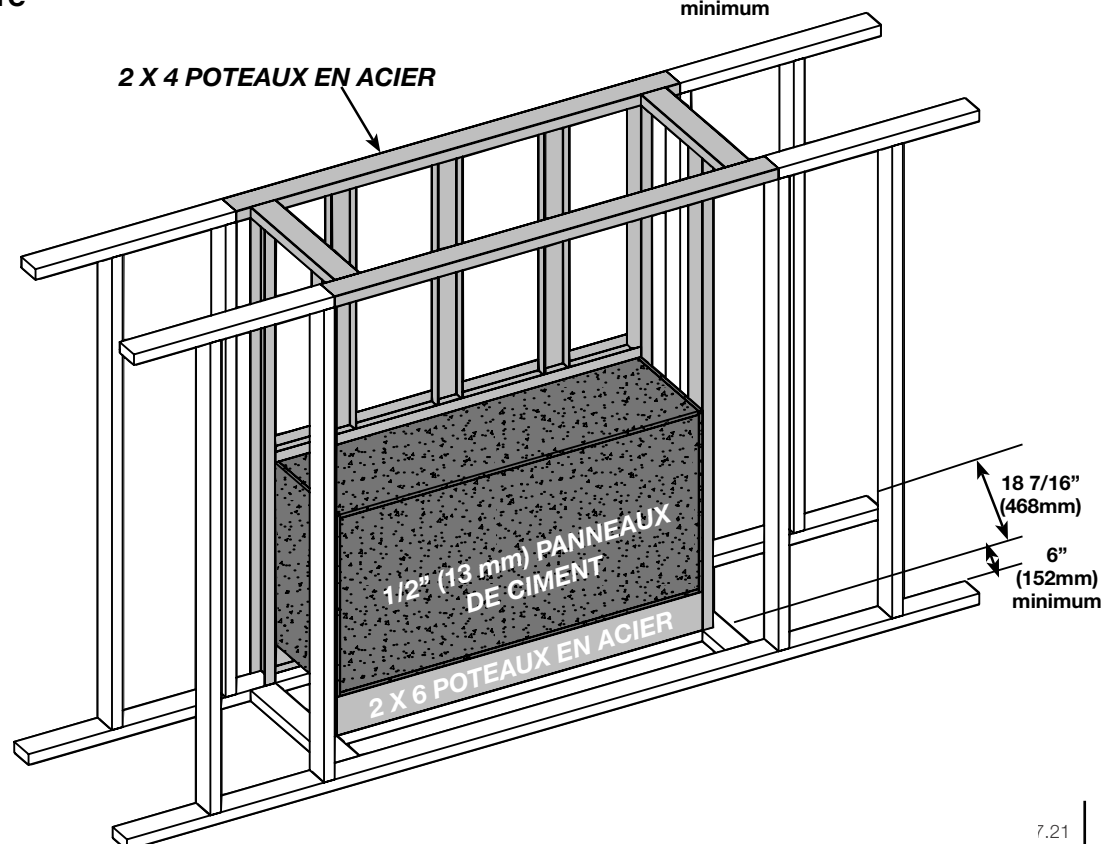
note:

Le dégagement minimum par rapport au plafond ne s'applique pas lorsque l'appareil est installé sans construction en hauteur.

4.1.1 vue de face

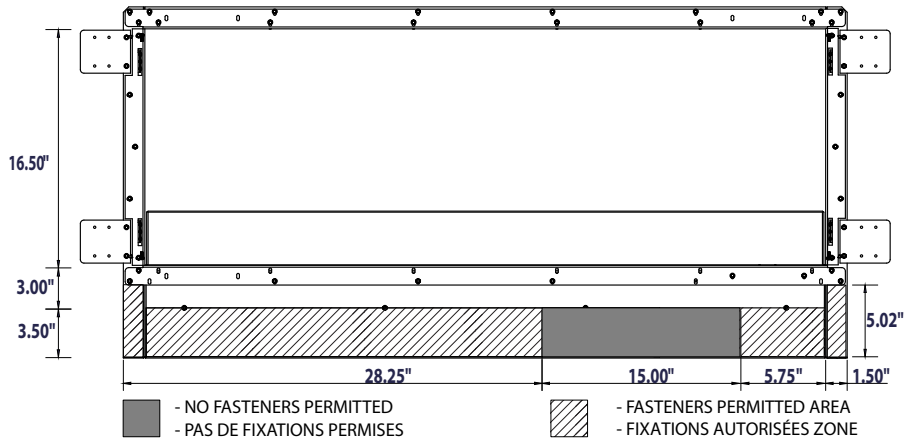


4.1.2 vue d'arrière



4.2 support de fixation

Pour installer le devant de l'appareil à égalité avec la surface finie, positionnez la charpente de façon à prévoir l'épaisseur de la surface finie. Vissez les supports de fixation de chaque côté de l'appareil et fixez-les à la charpente d'acier de 2 x 4. Les supports faciliteront l'installation d'une surface finie d'une épaisseur de 1/2" (13mm) ou de 3/4" (19mm).

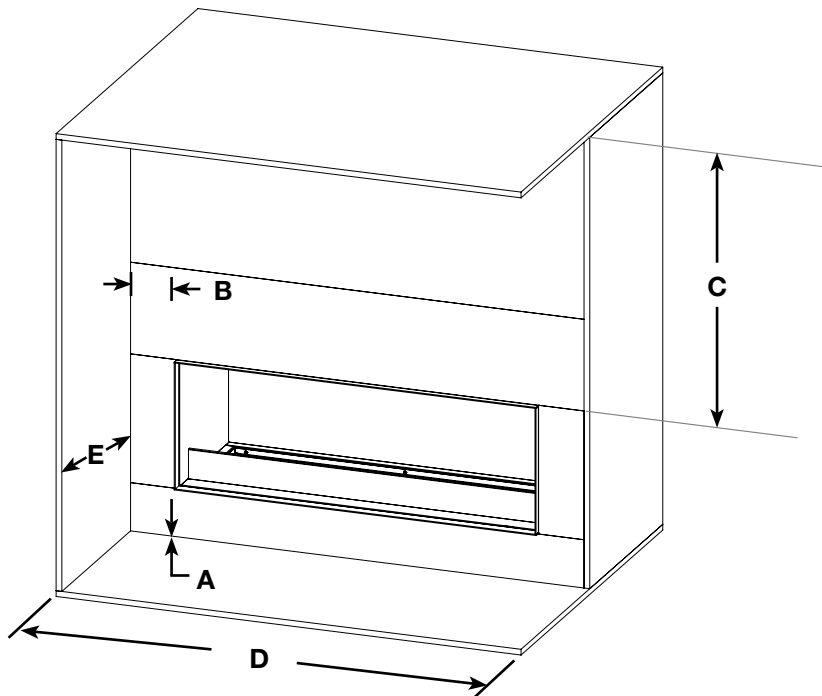


4.3 dégagements aux matériaux combustibles

! AVERTISSEMENT

- Afin d'éviter un risque d'incendie, les dégagements minimaux aux matériaux combustibles doivent être maintenus.

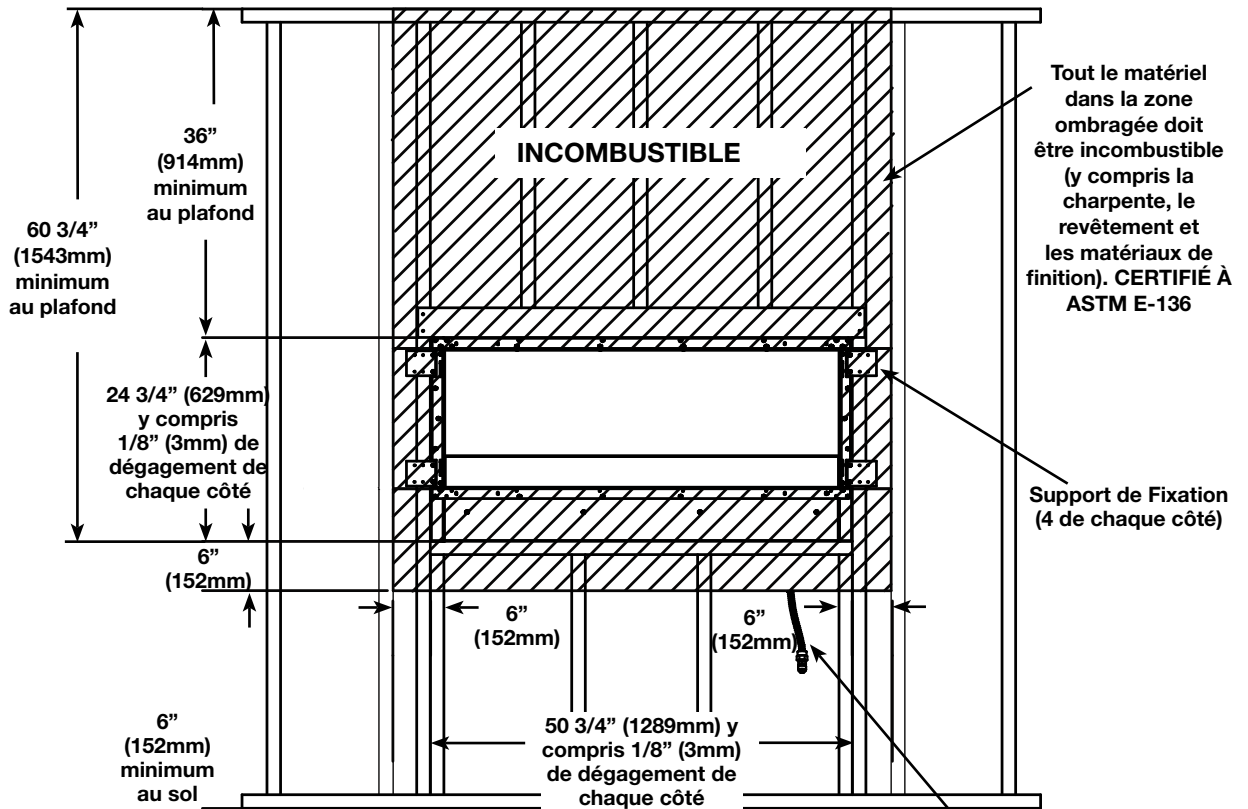
Dégagements Minimale aux Matériaux Combustibles		
	Dégagement	Dimension
A	Du sol ou d'une autre surface	6" (152 mm)
B	Des côtés	6" (152 mm)
C	Du plafond	36" (915 mm)
D	Largeur de l'alcôve	60" (1524 mm) Minimum
E	Profondeur de l'alcôve	24" (610 mm) Maximum



4.4 dégagements minimaux de l'enceinte (GSS48E - un côté)

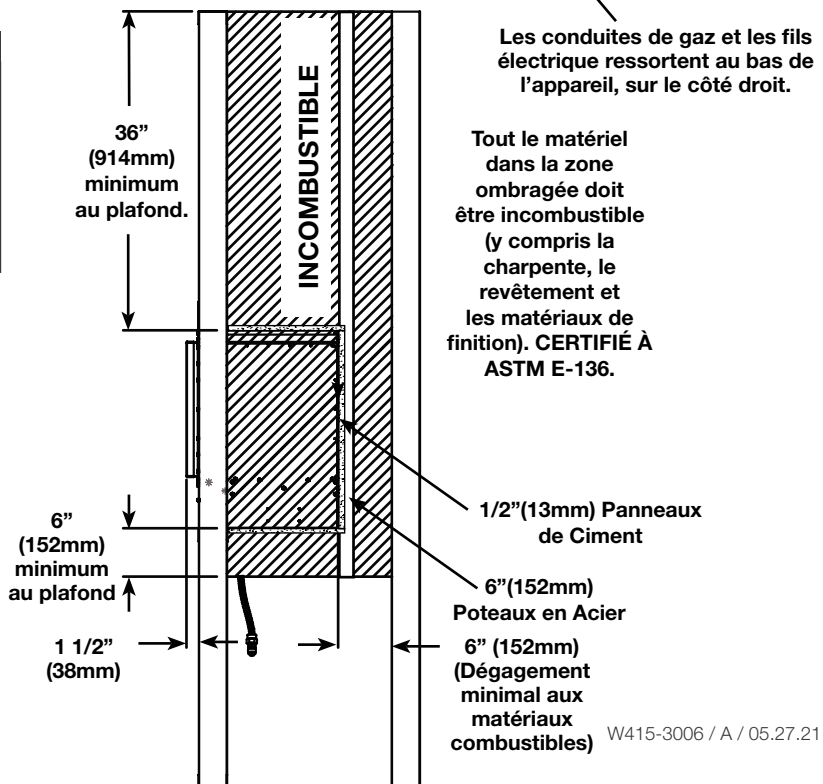
! AVERTISSEMENT

- Utilisez uniquement des matériaux incombustibles (certifié à ASTM E-136) comme des montants d'acier, des panneaux de ciment, des carreaux de céramique, du marbre, de la peinture, etc., lorsque vous ajoutez des matériaux de finition à l'appareil. N'utilisez pas de bois ni de clison sèche.
- Afin de pouvoir éteindre le brûleur en toute sécurité, vous devez vous assurer d'avoir un accès facile et sans obstruction à la soupape « on/off » UNE FOIS que l'appareil est installé et branché à l'alimentation en gaz.



note:

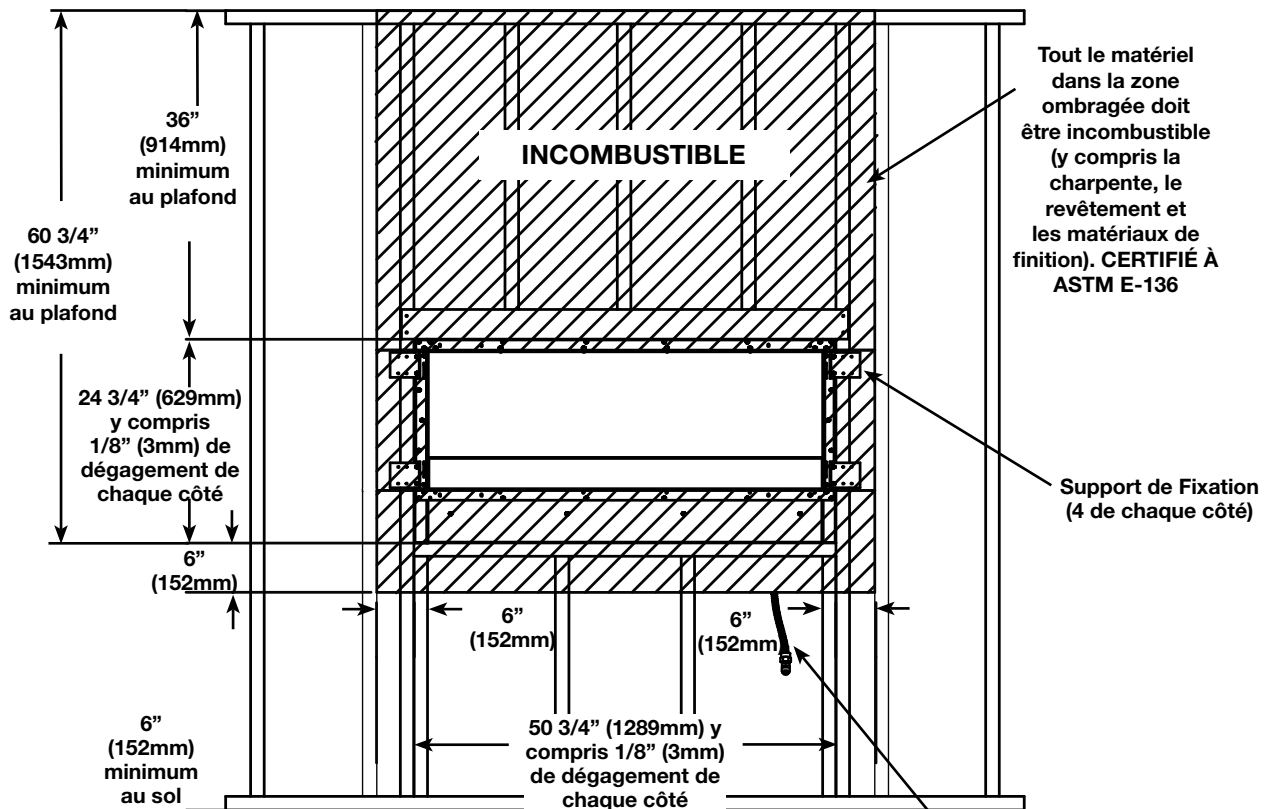
Assurez-vous que l'enceinte complète est fermée pour empêcher la pluie et les débris de tomber sur le dessus de l'appareil, ainsi que pour s'assurer qu'aucun courant d'air ne se produira à travers l'enceinte.



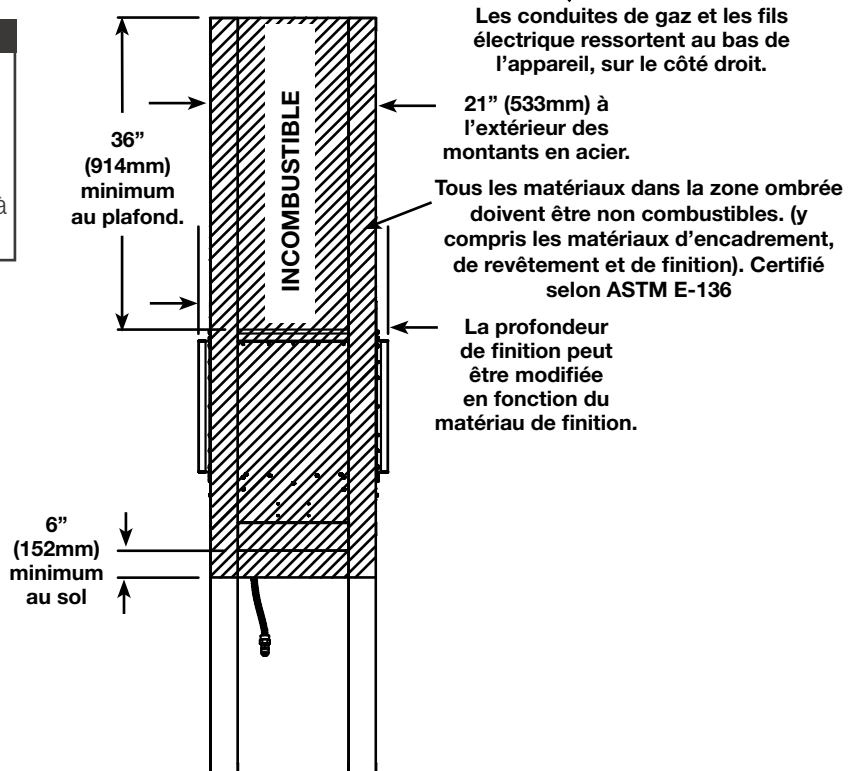
4.5 dégagements minimaux de l'enceinte (GSS48STE - voir à travers)

! WARNING

- Use only non-combustible materials (certified to ASTM E-136) such as steel studs, cement board, ceramic tile, marble, paint, etc. When adding finishing materials to the appliance, do not use wood or drywall.
- You must have clear and easy access to the on/off valve AFTER the appliance is installed and connected to the gas supply in order to safely turn off the burner.



note:
Assurez-vous que l'enceinte complète est fermée pour empêcher la pluie et les débris de tomber sur le dessus de l'appareil, ainsi que pour s'assurer qu'aucun courant d'air ne se produira à travers l'enceinte.



4.6 dégagements minimaux de la tablette

! AVERTISSEMENT

- La tablette atteindra une température au-delà de la normale, alors elle pourra être chaude au toucher.

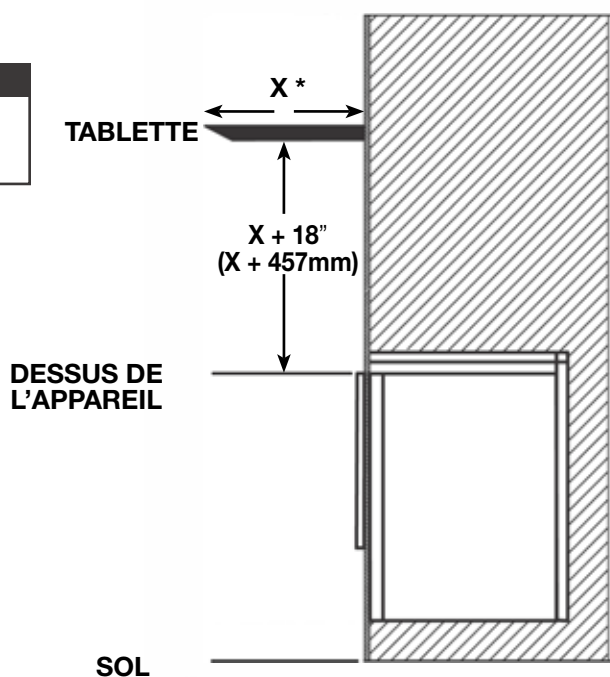
Nous vous recommandons d'installer une tablette faite d'un matériau incombustible. Si le matériau est combustible, veuillez respecter les indications du tableau ci-dessous.

note:

Lorsque vous utilisez de la peinture et de la laque pour finir la tablette, la peinture ou la laque doit être résistante à la chaleur pour éviter la décoloration. Si vous utilisez des matériaux combustibles, le dégagement vertical minimum doit être déterminé selon le schéma ci-dessous.

note:

* X est un minimum avant que la tablette combustible puisse démarrer.



4.7 installation du drain (recommandée)

Bien que cet appareil soit conçu pour fonctionner à l'extérieur en toute sécurité, la pluie et d'autres sources d'humidité peuvent pénétrer dans la zone de l'appareil, ce qui entraînera l'accumulation d'eau à l'intérieur de la base de l'appareil dans l'enceinte de l'appareil. Lors du choix d'un emplacement pour votre appareil, veuillez à éviter les zones où une humidité excessive ou de l'eau courante peut être un problème.

Pour empêcher l'humidité ou l'eau de s'accumuler sous l'appareil, le constructeur doit prévoir un moyen pour évacuer l'eau de dessous l'appareil, avant de positionner l'appareil à son emplacement. Il est recommandé de placer un bac de récupération étanche résistant à la corrosion avec des dispositions pour l'évacuation des eaux usées sous l'appareil. Le bac de récupération peut être construit à partir de métal résistant à la corrosion ou d'autres matériaux appropriés tels qu'une membrane de protection contre la glace et l'eau. Un moyen d'évacuation du bac de récupération tel que des tuyaux ou des trous d'évacuation doit également être fourni. Une pente de 1/4 \" (6 mm) par pied vers l'orifice de vidange est recommandée.

note:

Lors de la planification de l'installation de l'appareil, la hauteur de la charpente doit être augmentée pour accueillir un bac de récupération et toute tuyauterie de drainage supplémentaire requise. L'appareil doit être installé sur une surface plane pour assurer un drainage adéquat.

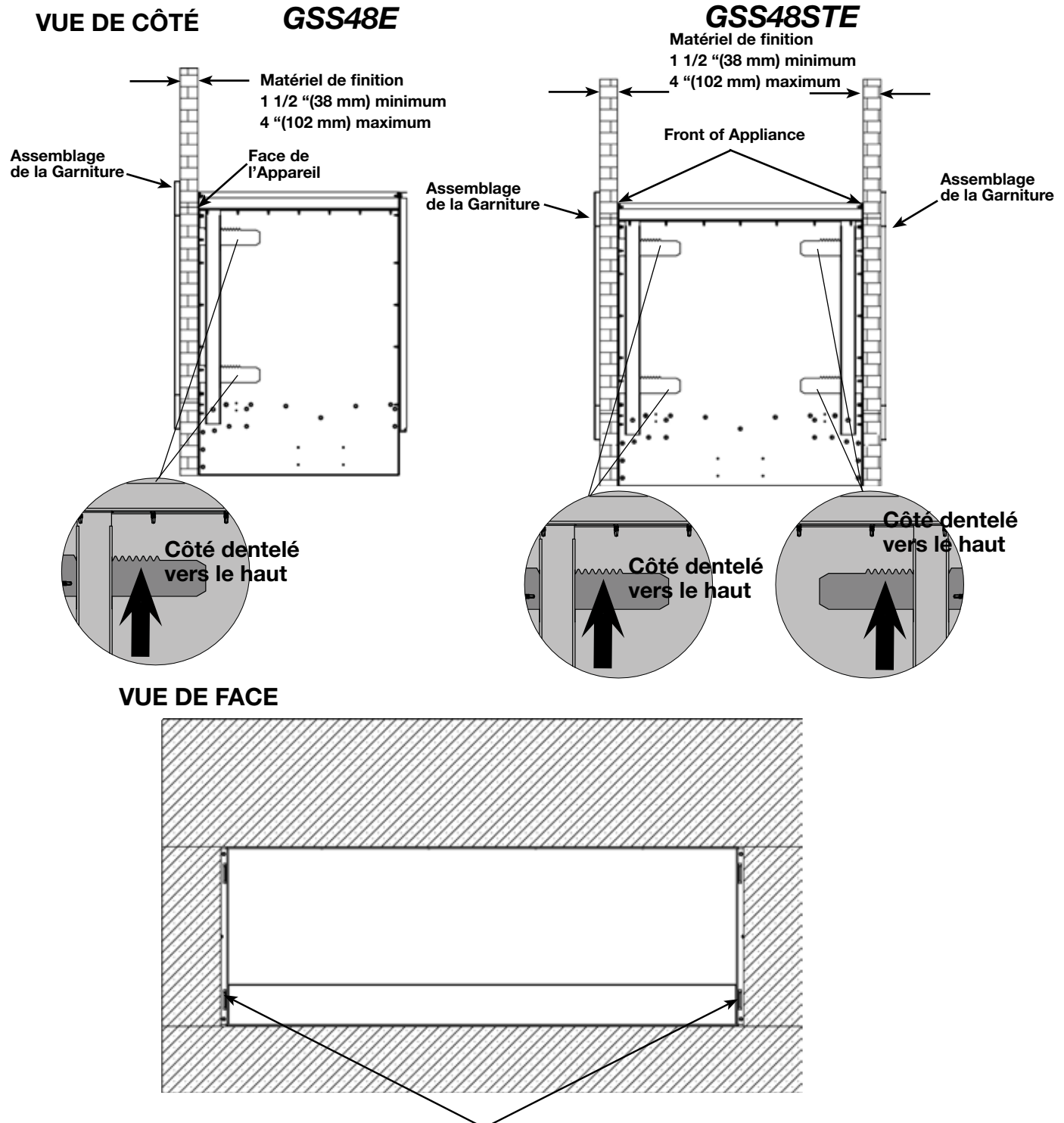
5.0 installation de la garniture (optionnelle)

FR

note:

La plupart des pièces en acier inoxydable sont fournies avec un revêtement protecteur en plastique qui doit être enlevé avant d'utiliser l'appareil.

La garniture est conçue pour fonctionner avec des matériaux de parement qui dépassent entre 1-1/2" (38 mm) et 4" (102 mm) de l'avant de l'appareil.



⚠ AVERTISSEMENT

- Lors de l'installation du kit de garniture en option, l'installateur doit laisser un espace de 5/8 po (16 mm) entre le panneau de ciment et les matériaux de finition des deux côtés pour permettre l'accès aux fentes du cadre.

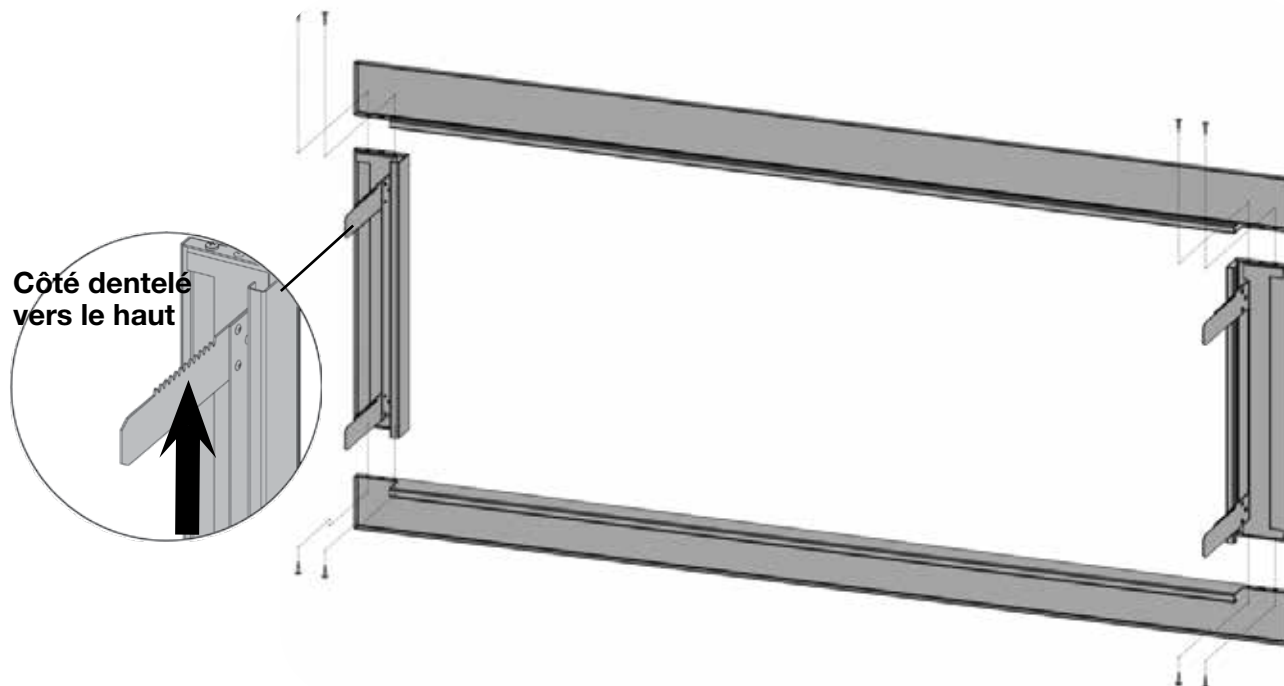
installation de la garniture (optionnelle)

FR

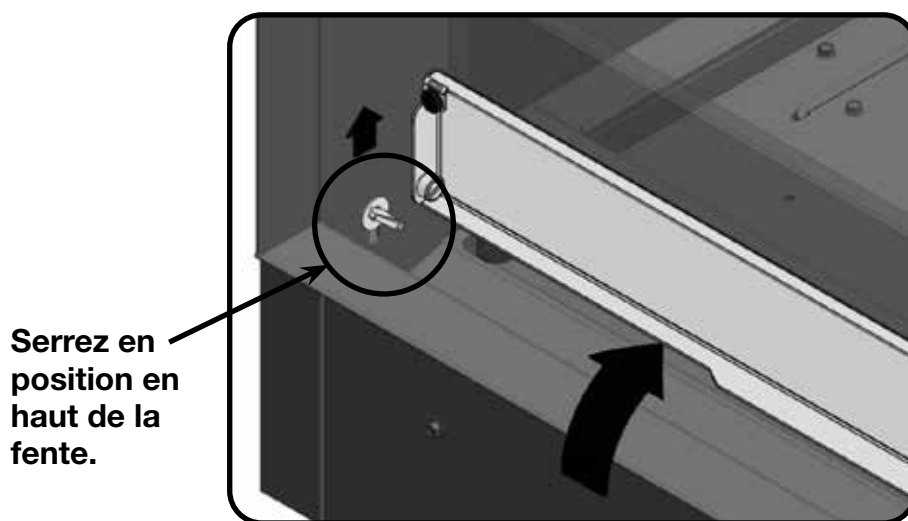
! AVERTISSEMENT

- Assemblez les pièces de garniture sur une surface propre et non abrasive pour éviter d'endommager la finition en acier inoxydable.

1. Retirez le revêtement protecteur des pièces de garniture avant.
2. Assemblez les pièces de garniture à l'aide de (8) vis # 8-32 x 3/8" comme illustré.



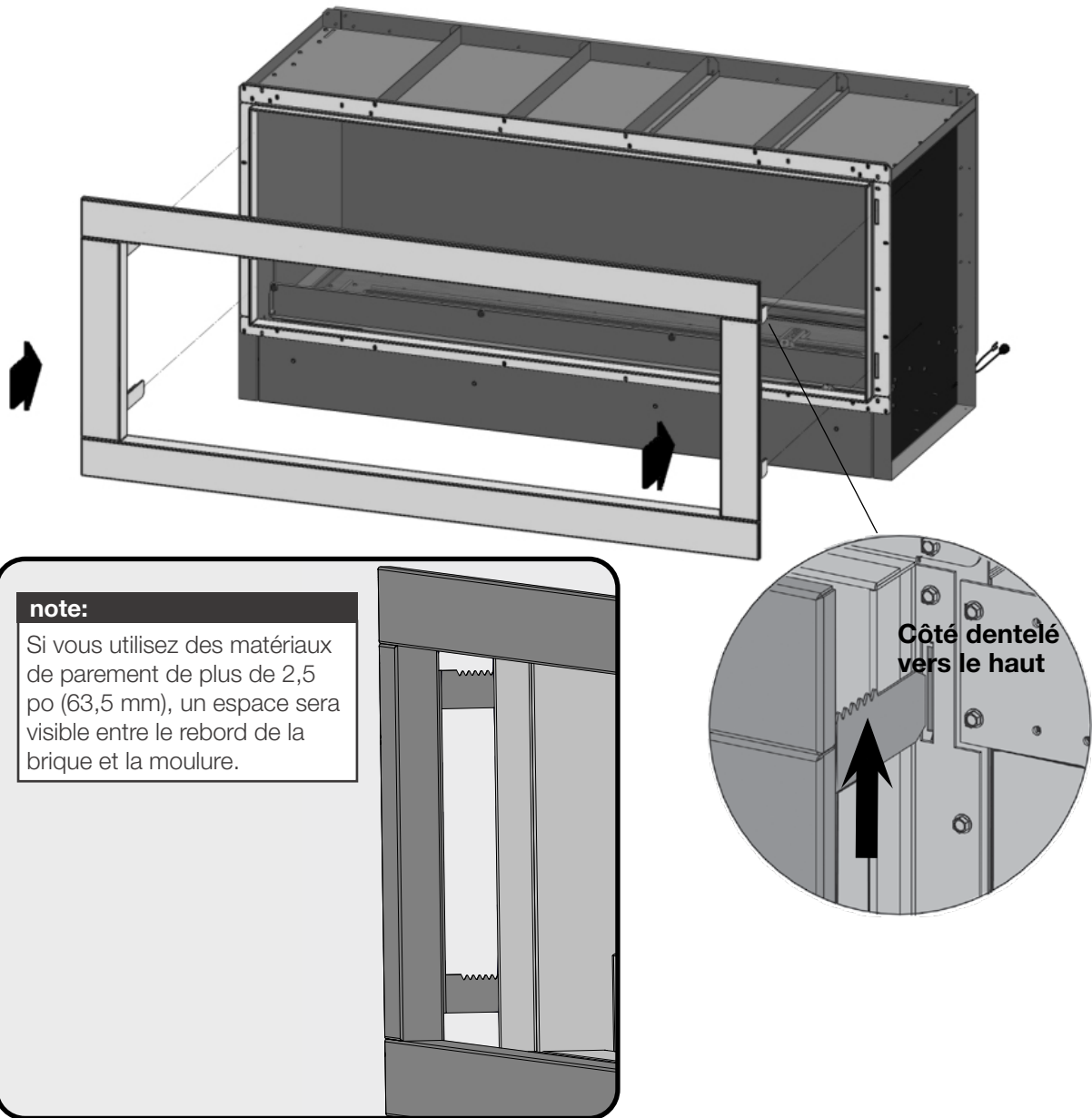
3. Ouvrez la porte d'accès avant de l'appareil et desserrez les vis à oreilles. Ne pas enlever. Soulevez les vis à oreilles et serrez-les en position en haut de la fente.



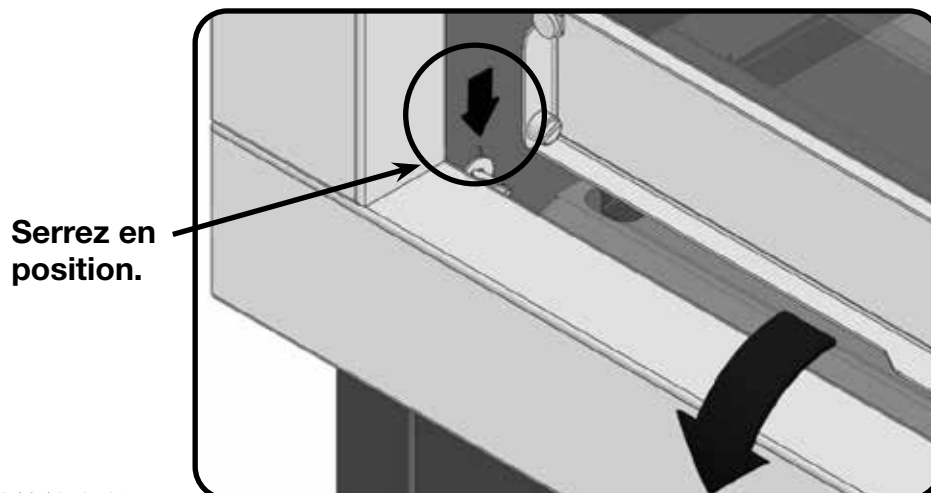
installation de la garniture (optionnelle)

FR

4. Alignez les supports de la garniture avec les fentes sur le côté de la base et insérez comme illustré en poussant jusqu'à ce que la garniture affleure la surface avant. Les supports ont été conçus avec de multiples fentes (incréments de 1/4 "[6 mm]) pour s'adapter à différents matériaux de finition.



5. Desserrez la vis à oreilles et abaissez jusqu'à ce qu'elle s'arrête. Resserrez la vis à oreilles et fermez la porte d'accès.



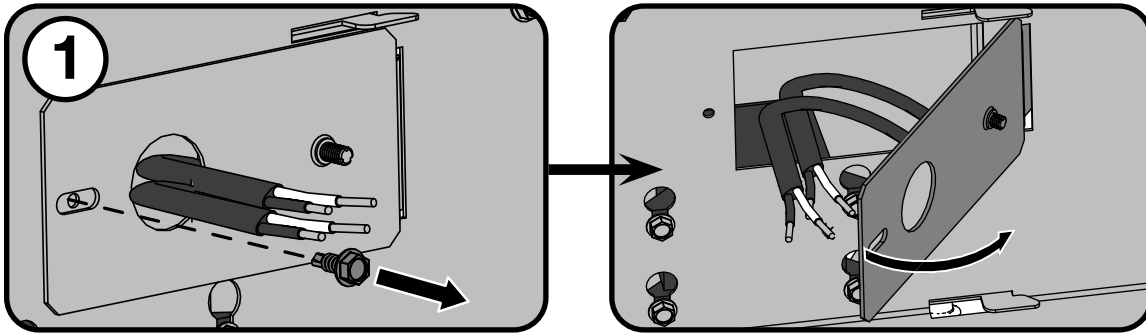
6.1 connexion de câblage dur

! AVERTISSEMENT

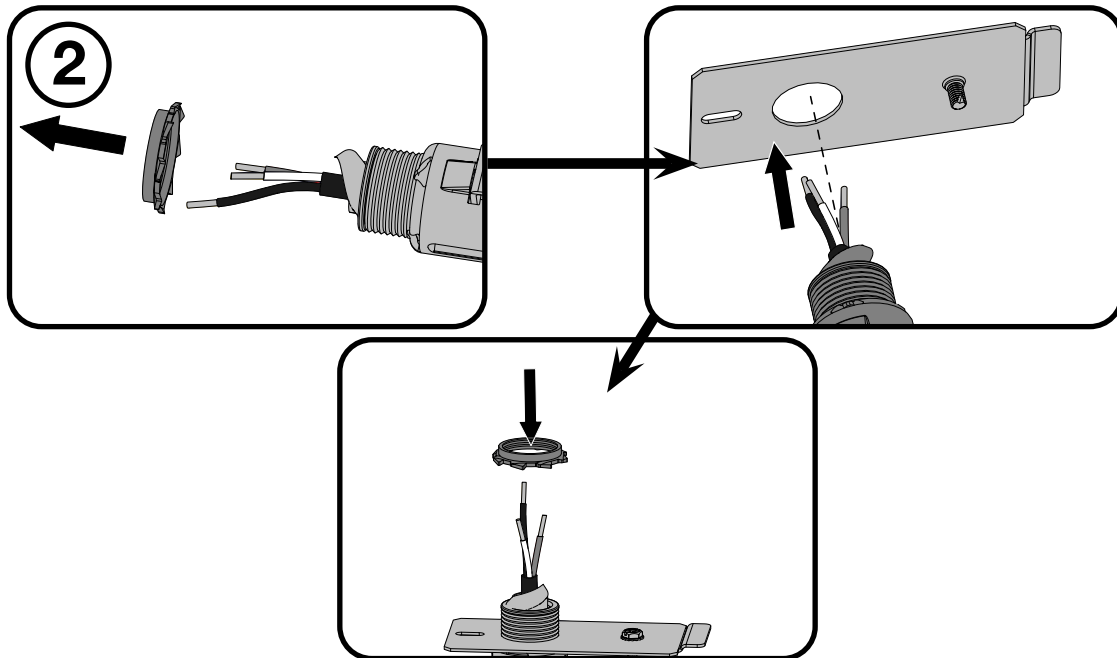
- Utilisez uniquement un circuit protégé par un disjoncteur de fuite à la terre (GFCI) avec cet appareil à gaz extérieur.
- Assurez-vous que toutes les sources d'alimentation ont été coupées avant de commencer tout travail électrique.
- N'utilisez pas cet appareil si l'une des pièces a été sous l'eau. Appelez immédiatement un technicien qualifié pour faire inspecter l'appareil pour détecter tout dommage au circuit électrique.
- Risque de choc électrique ou d'explosion. Ne connectez pas le 110 V à la vanne ou à l'interrupteur mural de l'appareil. Un câblage incorrect endommagera les commandes et n'est pas couvert par la garantie.
- Tout le câblage doit être effectué par un électricien qualifié et doit être conforme aux codes locaux. En l'absence de codes locaux, utilisez le code électrique canadien CSA22.1 en vigueur au Canada ou le code électrique national actuel ANSI / NFPA n ° 70 aux États-Unis.

Un électricien qualifié doit retirer le cordon d'alimentation et câbler l'appareil directement au câblage domestique. Cet appareil doit être connecté électriquement et mis à la terre conformément aux codes locaux, s'il est câblé. En l'absence de codes locaux, utilisez le code électrique canadien CSA C22.1 en vigueur au Canada ou le code ANSI / NFPA no 70 actuel aux États-Unis.

1. Retirez la plaque de jonction du côté inférieur droit de l'appareil en retirant la vis (N570-0008).



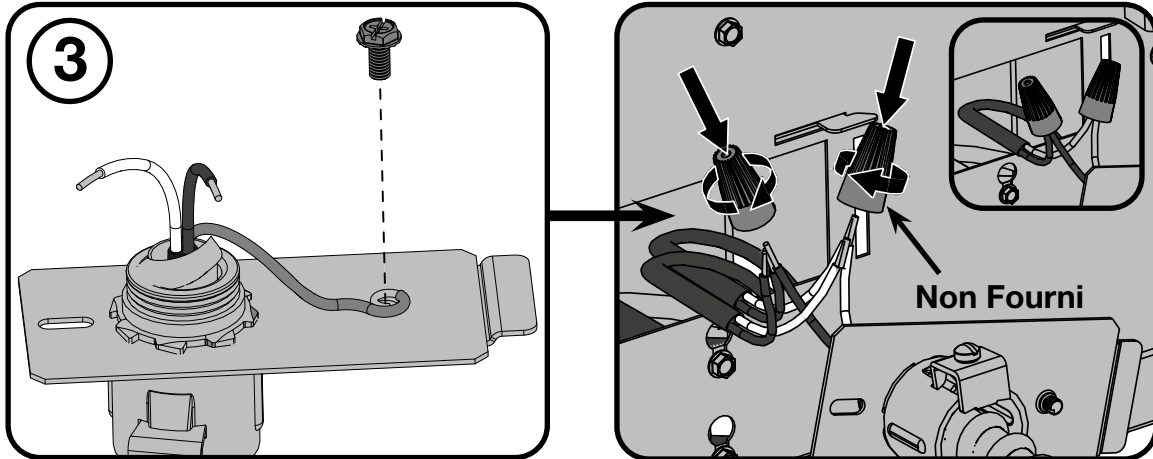
2. Installez le connecteur du boîtier dans le trou de 7/8 "(22,2 mm) et dans la plaque de jonction.



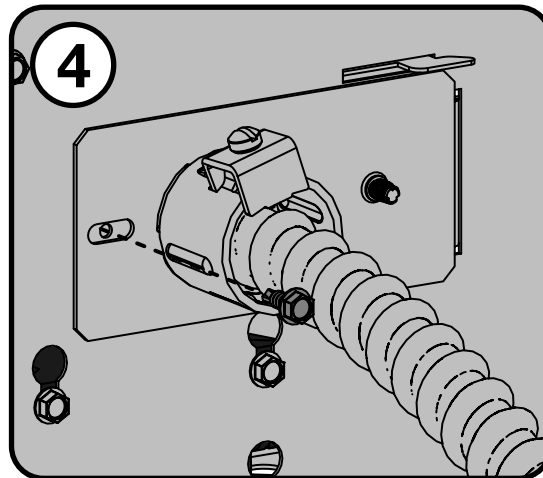
information électrique

FR

3. Connectez le fil vert de terre à la plaque de jonction à l'aide de la vis de mise à la terre (W570-0098). À l'aide des connecteurs de fils, connectez les fils blancs communs ensemble, puis les fils noirs chauds.



4. Réinstallez la plaque de recouvrement à l'aide de la vis (N570-0008), comme illustré.



6.2 schéma de câblage

AVERTISSEMENT

- Ne raccordez pas l'interrupteur mural ou la soupape de gaz à l'alimentation électrique (110V).

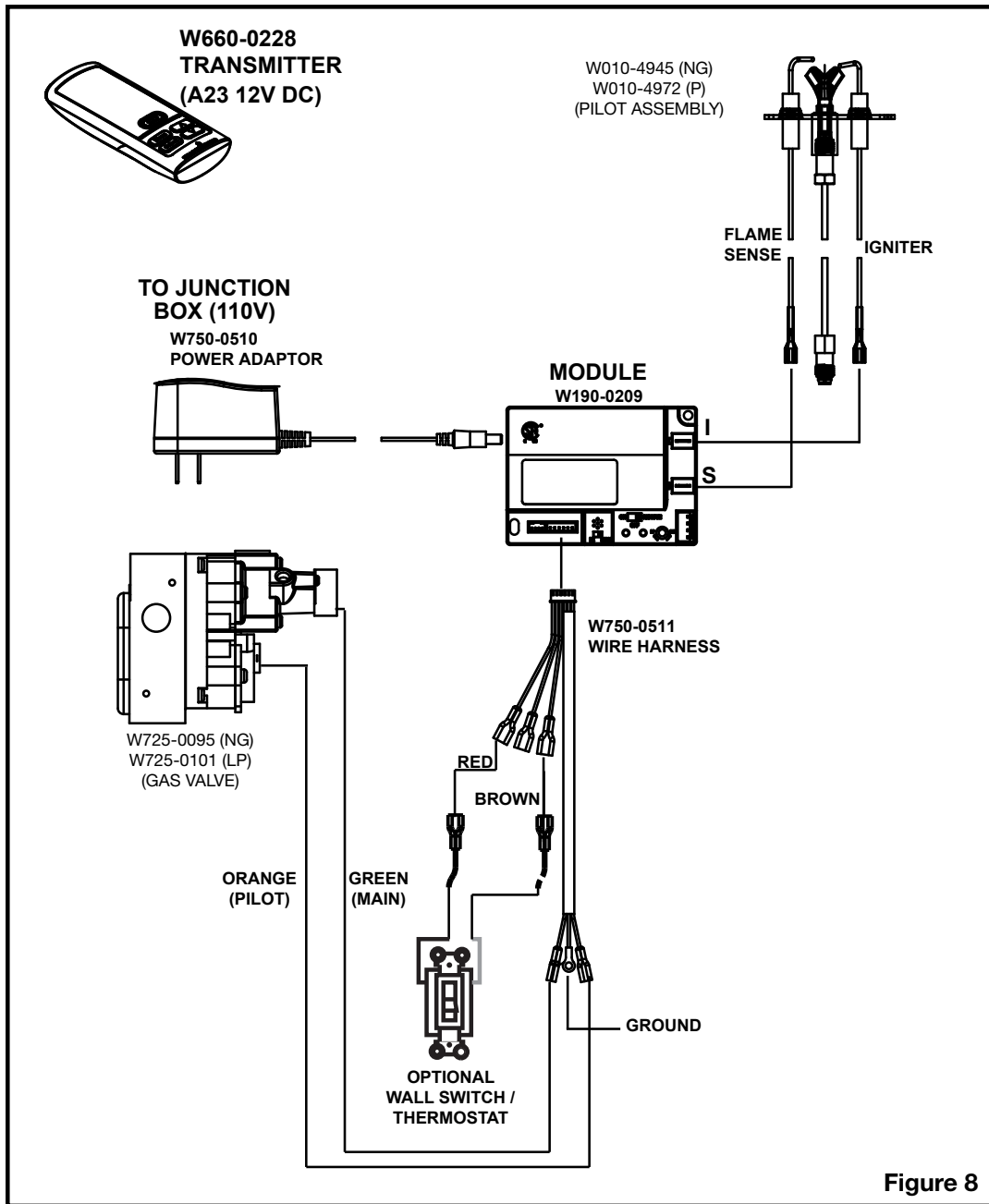
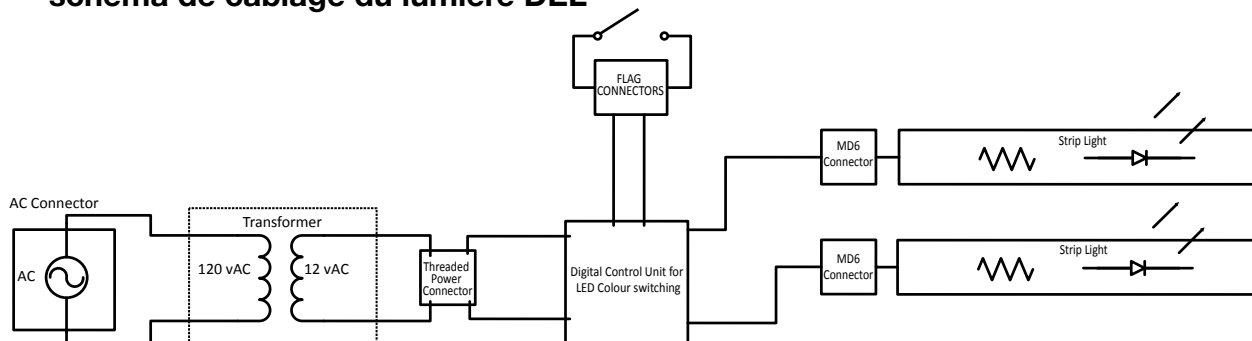


Figure 8

6.3 schéma de câblage du lumière DEL



information électrique

FR

6.4 installation et opération de la télécommande

Une télécommande est livrée en standard avec cet appareil et se trouve dans le sac manuel. Cette contrôle est conçue pour allumer (« ON ») et éteindre (« OFF ») votre appareil.

Le placement de la télécommande peut affecter les performances. Cet contrôle doit se trouver dans le même espace que l'appareil et être utilisée pour faire fonctionner l'appareil uniquement lorsqu'il est en vue. La contrôle doit être placée à moins de 30 pieds de l'appareil et sous un couvercle résistant aux intempéries lorsqu'elle est utilisée dans des applications extérieures.

AVERTISSEMENT

- Risque de brûlure! Assurez que l'appareil est refroidi avant de commencer cet processus.

Initialisation de la télécommande pour la première fois:

- Retirez la couvercle de piles de l'arrière de la télécommande et installez les piles A23 comme indiqué (+/-)
- Localisez le module de contrôle de l'appareil (**Figure 10**).
- Glissez le commutateur de la télécommande à la position « REMOTE ». Le module de contrôle émettra un bip pour signaler qu'il est prêt (**Figure 9**).
- À l'aide d'un itème petit (comme un trombone) appuyez et relâchez le bouton « LEARN » situé près de l'interrupteur (**Figure 9**).
- Le module de contrôle émettra un bip et le feu « STATUS » clignotera vert pour 10 secondes.
- Lorsque le feu se clignote, appuyez sur le bouton d'alimentation sur la télécommande. Le module émettra deux bips pour signaler qu'il est maintenant prêt à communiquer avec la télécommande.

note:

Pour dégager la mémoire du module de contrôle, appuyez et relâchez le bouton « LEARN » à l'aide d'un trombone. Le module émettra un bip et le feu « STATUS » clignotera vert pour 10 secondes. Ne pas appuyez sur aucun boutons sur la télécommande durant ce temps et la mémoire devrait être dégager.

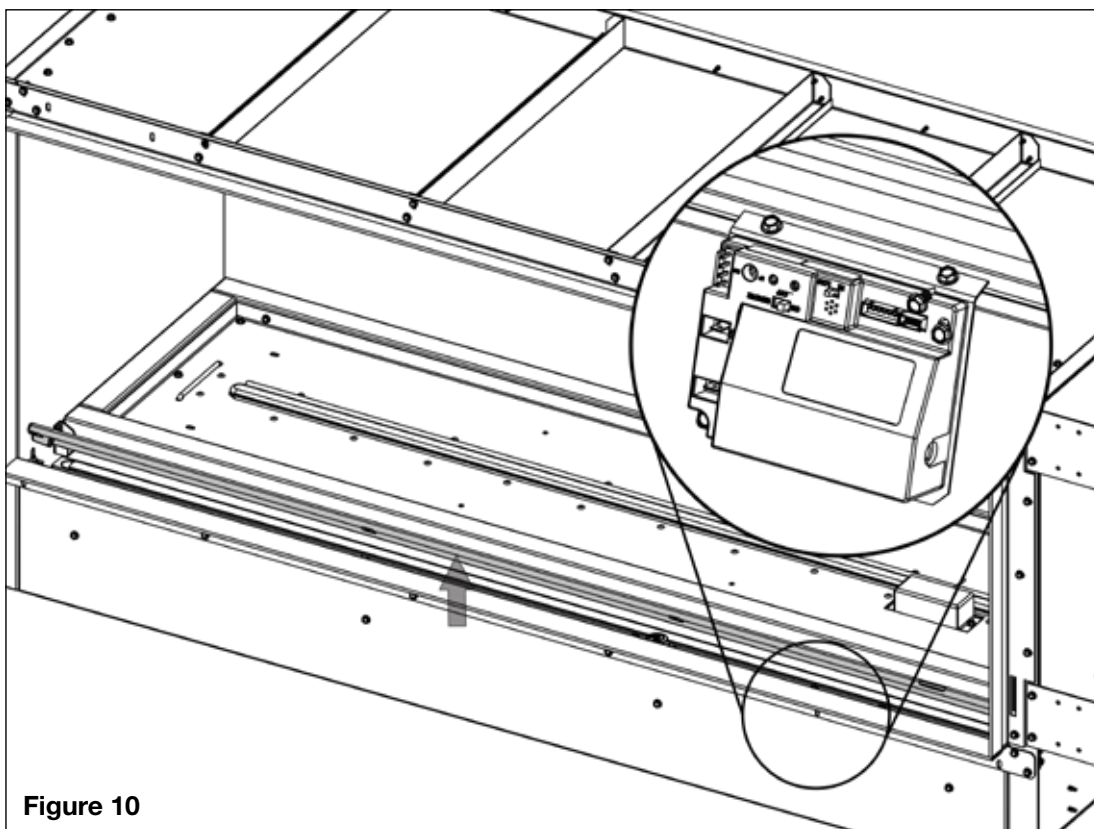
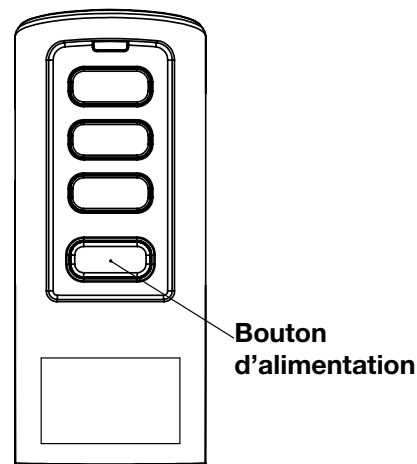


Figure 10

6.5 opération du module de contrôle

AVERTISSEMENT

- **Risque d'explosion! NE PAS** réinitialisez le module plus d'une fois dans une période de cinq minutes. Le gaz peut s'accumuler dans la chambre de combustion. Appelez un technicien de service qualifié.

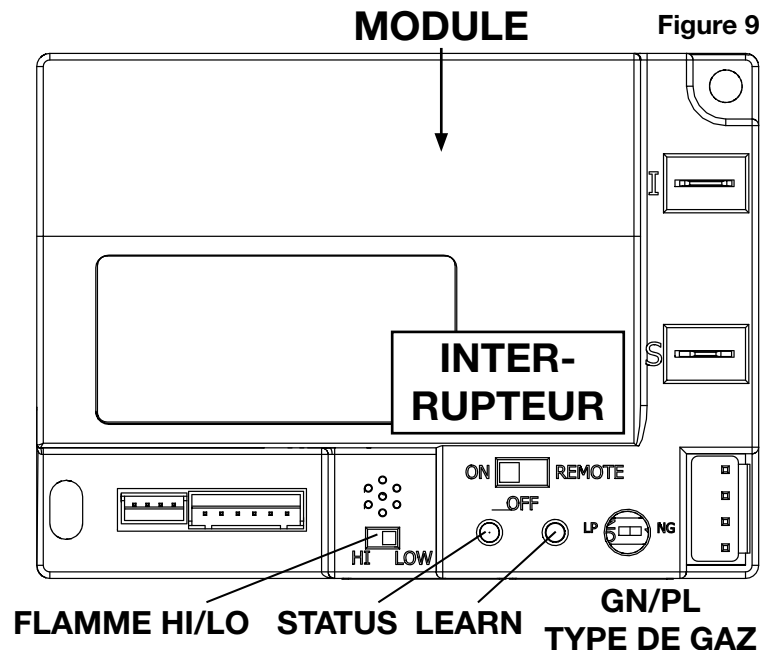
1. Le module de contrôle est équipé avec un interrupteur « ON / OFF / REMOTE » qui doit être régler (**Figure 9**).

Position « OFF »: L'appareil ignorera entrées électrique et ne pas répondra aucuns commandes de l'interrupteur mural ni la télécommande. L'appareil devrait être à la position « OFF » pendant l'installation, l'entretien, le conversion du type de gaz et si le contrôle se mise en mode « LOCK-OUT » du fait d'un code d'erreur.

Position « ON »: L'appareil s'allumera and se marchera continuellement. Cet mode opération est utilisé principalement for l'installation initiale.

Position « REMOTE »: L'appareil amorcera les commandes de l'interrupteur mural optionnel et/ou la télécommande sans fil.

2. Si vous désiré d'utiliser l'interrupteur mural optionnel (câblé) et la télécommande pour faire fonctionner l'appareil, l'interrupteur mural outrepassera toutes commandes donnée de la télécommande.
3. **Réinitialisation du Module:** Ce module peut se mise en mode de verrouillage sous certaines conditions. Lorsque cela se produit, l'appareil ne s'allume pas et ne répond pas aux commandes. Le module passera en mode de verrouillage en émettant trois bips sonores, puis en affichant en continu un code d'erreur ROUGE / VERT sur son indicateur LED d'état (« STATUS »).
 - Tournez le bouton de contrôle de gaz vers le droite à « OFF ». (Elle est située sur le connecteur flexible).
 - Réglez l'interrupteur du module à la position « OFF ».
 - Attendez cinq (5) minutes pour que le gaz puisse s'échapper.
 - Tournez soupape fermeture manuelle vers le gauche à « ON ».
 - Réglez l'interrupteur du module à la position « ON » ou « REMOTE ».
 - Démarrez l'appareil.
4. **Réglage de Verrouillage pour Enfant:** Glissez le couvercle de pile vers le bas de l'arrière de la télécommande. Glissez le commutateur de verrouillage pour enfant pour activer ou désactiver le fonction.



note:

Aucune fonction ne sera utilisable tant que la fonction de verrouillage pour enfant n'est pas désactivée.

6.6 opération du lumière DEL

Votre appareil est équipé d'une bande LED (lumière) qui est programmée avec trois modes de couleur. Branchez le bloc d'alimentation LED dans une prise électrique protégée par GFI.

Allumez l'interrupteur d'éclairage situé sous le panneau d'accès et basculez l'interrupteur hors et sous tension pour faire défiler le mode souhaité.

Mode 1 - Blanc simulé.

Mode 2 - Changement continu de 2 couleurs. Prend 8 à 10 secondes pour augmenter progressivement une couleur jusqu'à 100%, tandis que l'autre passe de 100% à 0. Change continuellement de couleur (17 secondes par couleur, de haut en bas).

Mode 3 - La couleur du mode gel arrête le changement de couleur quelle que soit la couleur sur laquelle elle était activée en mode 2 au moment où elle a été désactivée; ne continue pas de changer.

note:

Éteignez pendant 10 secondes pour revenir au mode couleur de début.

7.0 installation du gaz

FR

AVERTISSEMENT

- Risque d'incendie, d'explosion ou d'asphyxie. Assurez-vous qu'il n'y a pas de sources d'inflammation telles que des étincelles ou des flammes nues.
- L'installation doit être effectuée par un installateur de gaz agréé, et toutes les connexions doivent être testées contre les fuites avant de faire fonctionner l'appareil.
- Toutes les connexions de gaz doivent être contenues dans l'appareil une fois terminé.
- Une pression élevée endommagera la vanne. Débranchez la tuyauterie d'alimentation en gaz avant de tester la conduite de gaz à des pressions de test supérieures à 1/2 psig.
- Connectez l'alimentation en gaz conformément aux codes locaux. En l'absence de codes locaux, procédez à l'installation selon le code d'installation CAN / CSA B149.1 actuel au Canada ou selon le National Fuel Gas Code actuel, ANSI Z223.1 / NFPA 54 aux États-Unis.
- Testez toutes les connexions en appliquant une solution d'eau savonneuse. Ces connexions sont accessibles en retirant le brûleur.

7.1 raccordement au gaz

L'installation et l'entretien doivent être effectués par un installateur qualifié.

- Mettez l'appareil en place et fixez-le.
- Si l'appareil est muni d'un raccord flexible, celui-ci est conçu pour recevoir une conduite de gaz de 1/2" (13mm). Sans raccord flexible, l'appareil est conçu pour recevoir une conduite de gaz de 3/8" (9,5mm). L'appareil est muni d'une soupape d'arrêt manuelle pour fermer l'alimentation en gaz.
- Branchez le gaz en conformité avec les codes locaux. En l'absence de codes locaux, l'installation doit être conforme au code d'installation du gaz CAN/CSA-B149.1 dans sa version pour le Canada ou le National Fuel Gas Code, ANSI Z223.1 / NFPA 54 pour les États-Unis.
- Lorsque vous manipulez des conduites de gaz, soutenez la soupape de gaz pour éviter que les conduites ne se plient.
- Le raccord flexible de l'alimentation en gaz devrait être suffisamment mobile pour permettre de placer l'assemblage du brûleur sur le côté.
- Vérifier pour des fuites de gaz en appliquant une solution d'eau savonneuse. **N'utilisez pas une flamme nue.**

Après avoir installé le câblage électrique et les conduites de gaz, assurez-vous de tester l'appareil avant de finir l'ossature et la finition de l'appareil. **Purgez la conduite d'alimentation en gaz de tout air emprisonné avant le premier allumage de l'appareil.**

Votre appareil peut être converti pour utiliser du gaz propane à l'aide d'un ensemble de conversion certifié.

7.2 spécifications de la bouteille de propane

AVERTISSEMENT

- Si ces instructions ne sont pas suivies à la lettre, un incendie peut entraîner la mort ou des blessures graves.
- Un incendie se produira si le tuyau d'alimentation en gaz entre en contact avec le dessous de l'appareil.

Une bouteille bosselée ou rouillée peut être dangereuse et doit être vérifiée par votre fournisseur de propane. N'utilisez jamais une bouteille avec une valve endommagée. La bouteille d'alimentation en gaz propane doit être construite et marquée conformément au U.S. D.O.T. Spécifications pour les bouteilles de gaz propane ou la Norme pour les bouteilles, sphères et tubes pour le transport des marchandises dangereuses et la commission, CAN / CSA-B339, selon le cas.

Cet appareil a été conçu pour être utilisé avec une bouteille de propane de 20lb (9,1 kg) ou 30lb (13,6 kg) uniquement (non fournie).

La bouteille d'alimentation en gaz propane doit être munie d'un dispositif de raccordement de bouteille compatible avec le raccordement de l'appareil. La bouteille de propane doit être munie d'un robinet d'arrêt se terminant par un robinet de bouteille de propane de type QCC1 et d'un dispositif de décharge de sécurité ayant une communication directe avec l'espace vapeur de la bouteille. Le système d'alimentation de la bouteille doit être aménagé pour le retrait de la vapeur et la bouteille doit comprendre un collier pour protéger le robinet de la bouteille. La bouteille de gaz propane doit être équipée d'un dispositif anti-débordement (OPD) homologué. Ne stockez pas une bouteille de gaz propane de rechange sous ou à proximité de cet appareil. Ne remplissez jamais la bouteille à plus de 80%.

N'utilisez que le régulateur de pression et le flexible fournis avec cet appareil. Les régulateurs de pression et les flexibles de remplacement doivent être spécifiés par le fabricant. Le régulateur fournit une pression de 11 pouces de colonne d'eau à l'appareil et dispose d'un raccord de type QCC1. Les bouteilles à utiliser avec cet appareil doivent être fournies avec le robinet de bouteille QCC1. Une bouteille QCC1 a une connexion de siège positive, qui ne permettra pas l'écoulement de gaz jusqu'à ce qu'un joint positif ait été atteint. Il est également équipé d'un dispositif d'excès de débit. Afin d'atteindre le plein débit vers l'appareil, la soupape doit être en position d'arrêt lorsque la soupape de la bouteille est ouverte.

7.3 montage de bouteille de gaz propane

Pour éviter que la bouteille de gaz propane ne bascule, assurez-vous que l'anneau de support de la bouteille est sur une surface plane. Placez le cylindre dans l'anneau de support et serrez la vis à oreilles pour le fixer.

7.3.1 support de retenue de cylindre (propane)

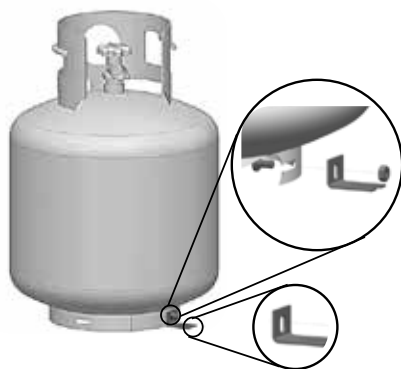
! AVERTISSEMENT

- Assurez-vous que le robinet de la bouteille est dans sa position complètement fermée (tournez dans le sens des aiguilles d'une montre pour s'arrêter).
- Vérifiez les caractéristiques de la soupape de bouteille pour vous assurer qu'elle a des filets d'accouplement externes appropriés (soupape de cylindre marquée: UTILISER AVEC LE TYPE 1).
- Inspectez le tuyau livré avec l'appareil pour déceler tout dommage. N'essayez jamais d'utiliser un équipement endommagé ou branché. Consultez votre concessionnaire de gaz propane local pour les réparations.
- Lors de la connexion de l'ensemble régulateur à la vanne de la bouteille, serrez à la main l'écrou noir QCC1 dans le sens des aiguilles d'une montre jusqu'à une butée positive. N'UTILISEZ PAS de clé pour serrer. L'utilisation d'une clé peut endommager l'écrou d'accouplement à fermeture rapide et entraîner une situation dangereuse.
- Placez le tuyau hors des chemins où des personnes pourraient trébucher dessus ou dans des zones où le tuyau pourrait être endommagé accidentellement.
- Ouvrez complètement le robinet de la bouteille (dans le sens antihoraire) Tournez lentement la vanne marche / arrêt de l'appareil en position marche et utilisez une solution d'eau savonneuse pour vérifier toutes les connexions pour détecter les fuites comme indiqué sur les schémas avant d'essayer d'allumer l'appareil. En cas de fuite, fermez le robinet du réservoir et n'utilisez pas l'appareil tant que les réparations n'ont pas été effectuées.

1. Fixez le support au fond de la bouteille de propane à l'aide du boulon et de l'écrou fournis.
2. Serrez la vis tire-fond dans la surface de montage en laissant environ 1/4 "(6 mm) de filetage au-dessus de la surface.
3. Faites glisser la bouteille de propane en position de sorte que le support glisse sous la tête des tire-fonds.
4. Serrez la vis tire-fond sur le support.
5. Pour la fixation à une surface en béton, un ancrage en béton sera nécessaire (non fourni).

Connexion de cylindre: Assurez-vous que le tuyau du régulateur de gaz n'est pas plié. Retirez le capuchon ou le bouchon du robinet de carburant du cylindre. Insérez le mamelon régulier noir QCC1 sur le robinet de carburant QCC1. Serrez à la main dans le sens des aiguilles d'une montre. N'utilisez pas d'outils. Vérifiez l'étanchéité de tous les joints avant d'utiliser l'appareil. Un test d'étanchéité doit être effectué chaque année et chaque fois qu'une bouteille est branchée ou si une partie du système de gaz est remplacée.

Si l'appareil doit être branché directement à une conduite d'alimentation en gaz propane domestique, suivez les instructions pour le raccordement au gaz naturel.



installation du gaz

FR 7.4 enceintes pour systèmes d'alimentation en gaz propane

Si vous construisez une enceinte pour une bouteille de gaz propane, suivez ces spécifications recommandées. Vous devez également suivre les codes locaux.

- Une enceinte pour une bouteille de gaz propane doit être ventilée par des ouvertures aux niveaux supérieur et inférieur de l'enceinte.

Ceci doit être accompli par l'une des actions suivantes:

- Un côté de l'enceinte doit être complètement ouvert; ou
- Pour une enceinte à quatre côtés, un haut et un bas:

a) Au moins deux ouvertures de ventilation doivent être prévues dans les parois latérales de l'enceinte, situées à moins de 5 po (127 mm) du haut de l'enceinte, de taille égale, espacées d'au moins 90 ° (1,57 rad) et dégagées. La ou les ouvertures doivent avoir une surface libre totale d'au moins 1 po² par lb (14,2 cm² / kg) de capacité de stockage de carburant.

b) Les ouvertures de ventilation doivent être prévues au niveau du sol de l'enceinte et doivent avoir une surface libre totale d'au moins 1 / 2 in² par lb (7,1 cm² / kg) de capacité de combustible stocké. Si des ouvertures de ventilation au niveau du sol se trouvent dans une paroi latérale, il doit y avoir au moins deux ouvertures. Le bas des ouvertures doit être à 1 po (25,4 mm) ou moins du niveau du sol et le bord supérieur à moins de 5 po (127 mm) au-dessus du niveau du sol. Les ouvertures doivent être de dimensions égales, espacées d'au moins 90 ° (1,57 rad) et non obstruées.

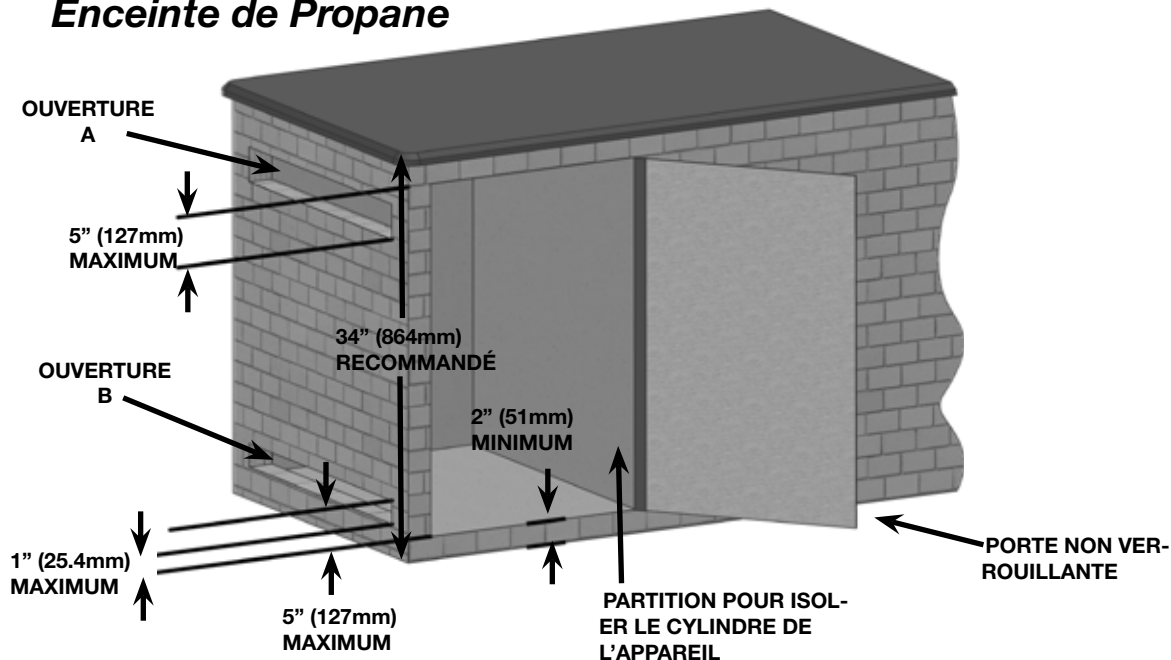
c) Chaque ouverture doit avoir des dimensions minimales afin de permettre l'entrée d'une tige de 1/8 "(3,2 mm) de diamètre.

Les ouvertures de ventilation dans les parois latérales ne doivent pas communiquer directement avec les autres enceintes de l'appareil. Les robinets des bouteilles doivent être facilement accessibles pour une utilisation manuelle. Une porte sur l'enceinte pour accéder au robinet de la bouteille est acceptable, à condition qu'elle ne soit pas verrouillable et puisse être ouverte sans l'utilisation d'outils. Les conceptions utilisant un couvercle pour accéder à la bouteille et à la soupape de la bouteille doivent être munies de poignées ou équivalent à au moins 180 ° l'une de l'autre pour faciliter le levage du couvercle. Il doit y avoir un dégagement minimum de 2 po (50,8 mm) entre la surface inférieure du plancher de l'enceinte de la bouteille de gaz propane et le sol. La conception de l'enceinte doit être telle que (1) la ou les bouteilles d'alimentation en gaz propane puissent être connectées, déconnectées et les connexions inspectées et testées à l'extérieur de l'enceinte du cylindre; et (2) les connexions qui pourraient être perturbées lors de l'installation de la ou des bouteilles dans l'enceinte peuvent être testées contre les fuites à l'intérieur de l'enceinte. L'enceinte de la bouteille de gaz propane doit isoler la bouteille du compartiment du brûleur pour fournir:

- ii) Un pare-flammes; et
- iii) Protection contre les matières étrangères.

Assurez-vous de monter ou de régler la bouteille de gaz propane sur une surface plane et de la retenir à l'aide d'un support de retenue de bouteille pour l'empêcher de basculer.

Enceinte de Propane



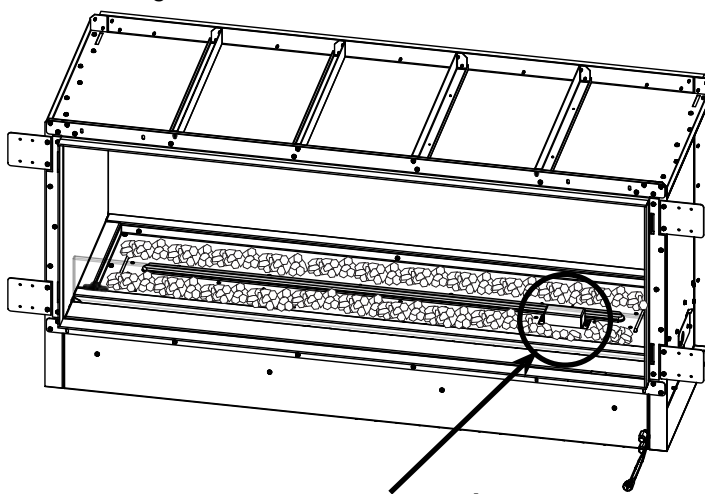
TAILLE DU CYLINDRE	ZONE D'OUVERTURE A	ZONE D'OUVERTURE B
20 lb (9,1kg)	20in ² (130cm ²)	10in ² (65cm ²)
30 lb (13,6kg)	30in ² (195cm ²)	15in ² (100cm ²)

8.1 installation de braises de verre

! AVERTISSEMENT

- N'utilisez pas l'appareil sans les braises de verre en place.
- Les braises de verre peuvent avoir des arêtes vives. Porter des lunettes et des gants de sécurité lors de la manipulation. Ne changez pas ou ne remplacez pas le matériau de braise de verre fourni avec cet appareil. En cas de remplacement, utilisez uniquement des braises de verre de remplacement disponibles auprès de votre revendeur / distributeur agréé local.
- Les braises de verre peuvent avoir un résidu d'huile fin qui doit être nettoyé avant l'installation. Nettoyez la vitre avec du savon à vaisselle doux, égouttez, rincez soigneusement et séchez avant l'installation.

1. Versez soigneusement les braises de verre sur le plateau à braises de l'appareil comme illustré.
2. Répartissez les braises de verre sur le plateau et le brûleur. La distribution de verre transparent sur le brûleur influencera la hauteur de la flamme.
3. Les braises de verre doivent couvrir la zone de maille du plateau du brûleur tout en s'assurant qu'aucun verre n'est placé sur la partie d'allumage du brûleur comme illustré ci-dessous.



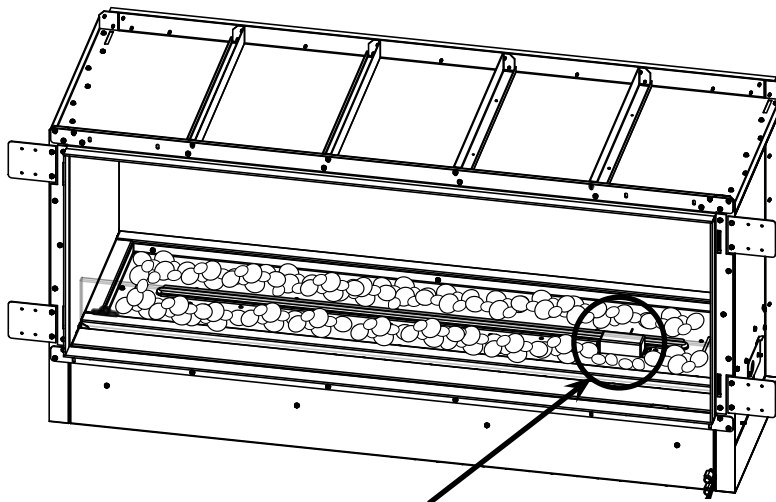
S'ASSURER QU'AUCUN VERRE N'EST PLACÉ SUR LA PORTION D'ALLUMAGE DU BRÛLEUR, DES DIFFICULTÉS D'ÉCLAIRAGE PEUVENT EN RÉSULTER.

8.2 installation d'ensemble de roche (optionnelle)

! AVERTISSEMENT

- De vraies pierres ne doivent pas être utilisées dans cet appareil. La chaleur les fera exploser.

Remplacez les roches réfractaires sur le dessus du lit de braises en verre et autour du plateau du brûleur comme vous le souhaitez, en veillant à ne pas couvrir les orifices du brûleur ou la partie d'allumage du brûleur.



S'ASSURER QU'AUCUNE ROCHE N'EST PLACÉE SUR LA PORTION D'ALLUMAGE DU BRÛLEUR, DES DIFFICULTÉS D'ALLUMAGE PEUVENT EN RÉSULTER.

9.0 opération

FR

AVERTISSEMENT

- Si ces instructions ne sont pas suivies à la lettre, un incendie ou une explosion pourraient s'ensuivre, causant des dommages matériels, des blessures corporelles ou des pertes de vie.
- Si applicable, allumez toujours la veilleuse, que ce soit pour la première fois ou lorsque l'approvisionnement en gaz est épuisé, avec la porte vitrée ouverte ou retirée.

Lorsqu'il est allumé pour la première fois, l'appareil dégagera une légère odeur pendant quelques heures. Cela est une condition normale temporaire causée par le conditionnement des bûches et l'évaporation des peintures et lubrifiants internes utilisés dans le processus de fabrication; elle ne se reproduira plus. Après de longues périodes sans utiliser l'appareil, comme à la suite de vacances ou à la fin de l'été, il se peut qu'une légère odeur se dégage pendant quelques heures. Ceci est causé par des particules de poussière brûlant dans l'échangeur de chaleur. Dans les deux cas, ouvrez une fenêtre pour aérer la pièce.

POUR VOTRE SÉCURITÉ, LISTEZ CE QUI SUIT AVANT D'ALLUMER L'APPAREIL:

- Ne pas allumer si des enfants ou d'autres individus à risque sont à proximité de la veilleuse.
- Cet appareil est équipé d'un dispositif d'allumage qui allume automatiquement la veilleuse. N'essayez pas de l'allumer manuellement.
- Avant d'allumer, sentez autour de l'appareil et près du plancher afin de vous assurer qu'il n'y a pas de fuite de gaz. Certains gaz sont plus lourds que l'air et se déposeront au niveau du plancher.
- N'utilisez pas cet appareil si une partie quelconque a été submergée. Contactez immédiatement un technicien qualifié pour l'inspecter et pour remplacer toute pièce du système de contrôle et du contrôle du gaz qui aurait été submergée.

QUE FAIRE SI VOUS DÉTECTEZ UNE ODEUR DE GAZ

- Coupez l'alimentation en gaz à l'appareil.
- Ouvrez les fenêtres.
- N'allumez aucun appareil.
- Ne touchez à aucun interrupteur électrique; n'utilisez aucun téléphone dans votre immeuble.
- De la maison d'un voisin, appelez immédiatement votre fournisseur de gaz et suivez ses instructions.
- Si vous ne pouvez pas rejoindre votre fournisseur de gaz, appelez le service des incendies.

INSTRUCTIONS D'ALLUMAGE

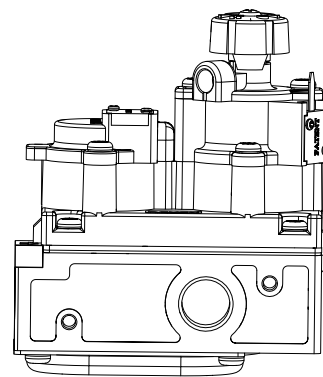
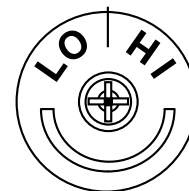
note:

Cet appareil est équipé d'un dispositif d'allumage qui s'allume automatiquement la veilleuse. N'essayez pas de l'allumer manuellement.

- Arrêtez! Lisez les consignes de sécurité ci-dessus.
- Enlevez tous les piles de la télécommande et régler le thermostat au réglage minimum, si équipé.
- Coupez l'alimentation électrique à l'appareil.
- Ouvrir la porte de l'appareil, si équipé.
- Tournez le bouton de contrôle du gaz vers la droite à « OFF ». (Elle est situé sur le connecteur flexible).
- Attendez cinq (5) minutes pour que le gaz puisse s'échapper. Si vous détectez une odeur de gaz, incluant au niveau du plancher, **ARRÊTEZ!** et suivez les instructions ci-dessus « QUE FAIRE SI VOUS DÉTECTEZ UNE ODEUR DE GAZ ». Continuez à l'étape suivante si vous ne sentez pas de gaz.
- Tournez le soupape fermeture manuelle vers la gauche à « ON ».
- Rétablissez l'alimentation électrique à l'appareil et installez les piles dans la télécommande, si équipé. Régler le thermostat à la position désirée, si équipé.
- Tournez l'interrupteur murale de l'appareil à la position « ON ».
- Si l'appareil ne fonctionne pas, suivre les instructions de « couper l'alimentation de gaz » et puis appelez votre technicien de service ou fournisseur de gaz.

COUPEZ L'ALIMENTATION DE GAZ

- Régler le thermostat à la réglage le plus bas, si équipé.
- Tournez l'interrupteur murale de l'appareil à la position « OFF ».
- Coupez l'alimentation électrique à l'appareil si un travail d'entretien doit être faites.
- Tournez le soupape fermeture manuelle vers la gauche « OFF ». Ne forcez pas.



! AVERTISSEMENT

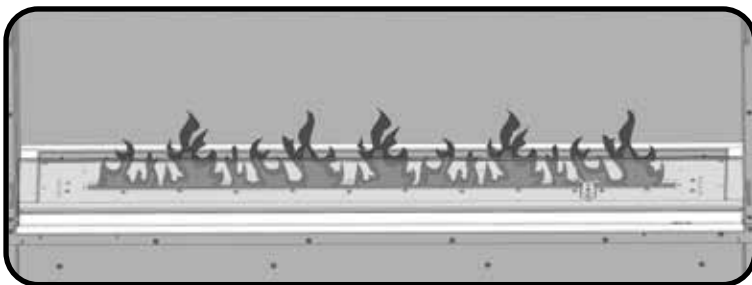
- N'utilisez jamais cet appareil à d'autres fins que celles pour lesquelles il a été conçu. N'utilisez pas l'appareil pour préparer des aliments.
- Vous devez avoir un accès clair et facile à la vanne marche / arrêt APRÈS que l'appareil est installé et connecté à l'alimentation en gaz afin d'éteindre le brûleur en toute sécurité.
- Lorsqu'il est allumé pour la première fois, l'appareil émet une légère odeur. Il s'agit d'une condition temporaire normale causée par le «burn-in» des peintures internes et des lubrifiants utilisés dans le processus de fabrication et qui ne se reproduit plus. Faites simplement fonctionner le brûleur principal à haute intensité pendant environ une demi-heure.
- Les enfants et les adultes doivent être avertis des dangers des températures de surface élevées et doivent rester à l'écart de l'appareil pour éviter les brûlures ou l'inflammation des vêtements.
- Les enfants doivent être soigneusement surveillés lorsqu'ils se trouvent dans la zone de l'appareil.
- Les vêtements ou autres matériaux inflammables ne doivent pas être suspendus à l'appareil, ni placés sur ou à proximité de l'appareil. La zone au-dessus du boîtier peut être extrêmement chaude. Le contact direct avec ces surfaces doit être évité afin d'éviter les brûlures ou l'inflammation des vêtements.
- Tout garde ou dispositif de protection retiré pour l'entretien de l'appareil doit être remplacé avant de faire fonctionner l'appareil.
- L'installation et la réparation doivent être effectuées par un technicien qualifié.
- L'appareil doit être inspecté avant chaque utilisation et au moins une fois par an par un technicien qualifié. Un nettoyage plus fréquent peut être nécessaire si nécessaire. Il est impératif que le compartiment de commande, les brûleurs et les passages d'air de circulation de l'appareil soient maintenus propres.
- N'utilisez jamais l'appareil lorsqu'il pleut.
- Éteignez toujours l'appareil lorsqu'il pleut.
- Ne jamais éclabousser de liquide sur le verre / les braises de verre lorsque l'appareil fonctionne.
- Les braises de verre / verre seront extrêmement chaudes pendant le fonctionnement. N'essayez jamais de les toucher.
- Assurez-vous toujours que l'appareil repose fermement sur un sol plat.
- N'utilisez jamais l'appareil si le brûleur est endommagé. Inspectez le brûleur avant chaque utilisation. Assurez-vous qu'aucun débris tel que des feuilles, de l'herbe ou d'autres objets n'est entré ou ne se trouve sur l'appareil. Si le brûleur est endommagé, il doit être remplacé avant d'utiliser l'appareil par un brûleur de remplacement spécifié par votre revendeur Napoléon.
- Inspectez le flexible avant chaque utilisation. S'il y a des signes d'abrasion ou d'usure excessive, ou si le tuyau est endommagé, il doit être remplacé avant d'utiliser l'appareil par un tuyau de remplacement spécifié par votre concessionnaire Napoléon.
- Toute modification de l'appareil peut compromettre la sécurité de cet appareil. Les préoccupations particulières incluent: ne pas contourner la sécurité du thermocouple; ne pas faire fonctionner l'appareil si l'une des pièces a été sous l'eau. Appelez immédiatement un technicien d'entretien qualifié pour inspecter l'appareil et remplacer toute pièce du système de commande et toute commande de gaz qui a été sous l'eau.

note:

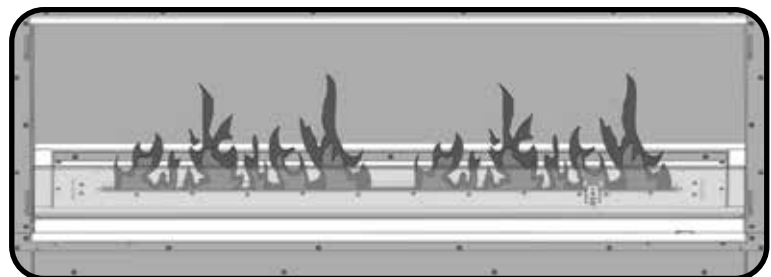
L'appareil a été conçu avec plusieurs dispositifs de sécurité, dont une soupape de sécurité. Si la flamme du brûleur est éteinte, l'appareil s'éteint automatiquement.

Chaque fois que l'appareil est utilisé: Effectuer un contrôle visuel du modèle de flamme du brûleur. Un modèle de flamme anormal peut être causé par des orifices de brûleur bloqués, une distribution irrégulière de braises de verre ou des roches réfractaires placées directement sur les orifices du brûleur.

NORMALE



ANORMALE



10.0 entretien / instructions de nettoyage

FR

AVERTISSEMENT

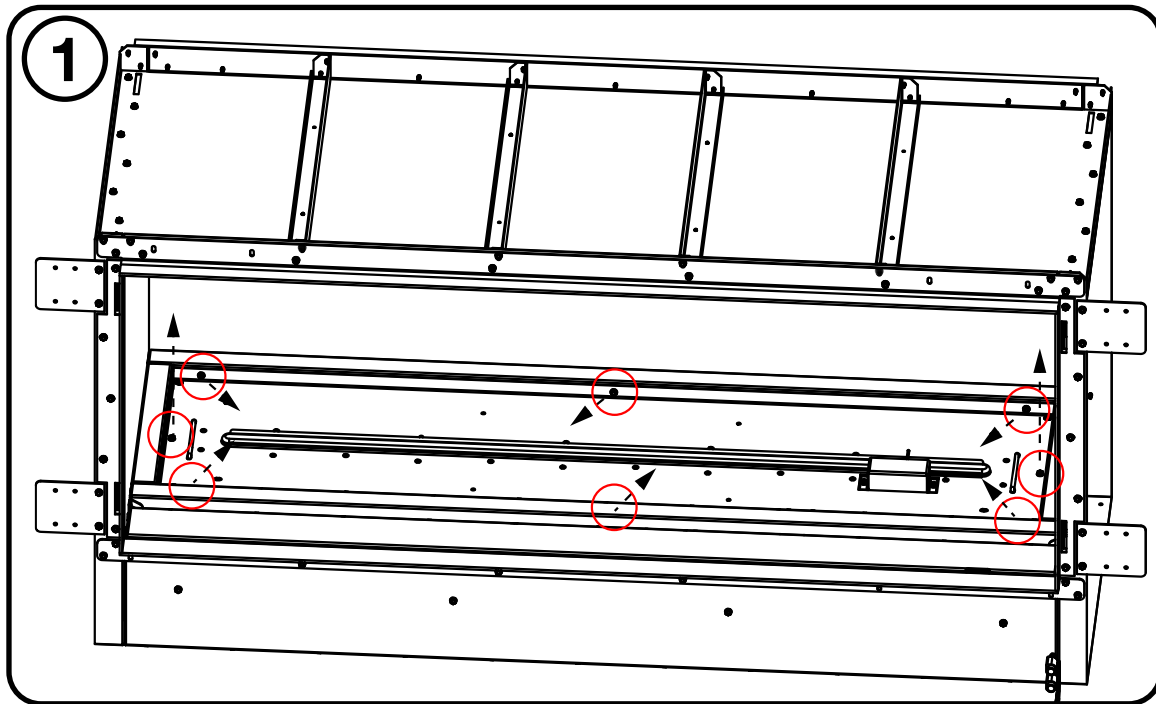
- Les braises de verre peuvent avoir des arêtes vives. Porter des lunettes et des gants de sécurité lors de la manipulation. Ne changez pas ou ne remplacez pas le matériau de verre fourni avec cet appareil. En cas de remplacement, utilisez uniquement des braises de verre de remplacement disponibles auprès de votre revendeur / distributeur agréé local.
- Pour éviter tout risque de brûlure, l'entretien ne doit être effectué que lorsque l'appareil est froid. Évitez tout contact non protégé avec des surfaces chaudes. Assurez-vous que le brûleur est éteint. Coupez le gaz à la source et débranchez l'appareil avant de procéder à l'entretien. Nettoyez l'appareil dans une zone où les solutions de nettoyage n'endommageront pas les terrasses, pelouses ou patios. N'utilisez pas de nettoyeurs inflammables, corrosifs ou abrasifs.
- L'acier inoxydable a tendance à s'oxyder ou à se tacher en présence de chlorures et de sulfures, en particulier dans les zones côtières et dans d'autres environnements difficiles, tels que l'atmosphère chaude et très humide autour des piscines et des spas. Ces taches peuvent être perçues comme de la rouille, mais peuvent être facilement éliminées ou évitées. Pour prévenir et éliminer les taches, lavez toutes les surfaces en acier inoxydable et en chrome toutes les 3 à 4 semaines ou aussi souvent que nécessaire avec de l'eau douce et / ou un nettoyeur pour acier inoxydable.
- **Panneau de contrôle:** Le texte du panneau de commande est imprimé directement sur l'acier inoxydable et avec un entretien approprié, il restera sombre et lisible. Pour nettoyer le panneau, utilisez uniquement de l'eau chaude savonneuse. N'appliquez jamais de nettoyeurs abrasifs sur des surfaces en acier inoxydable, en particulier sur la partie imprimée du panneau de commande, sinon l'impression s'effacera progressivement.
- **Tuyau:** Vérifiez les abrasions, la fonte, les coupures et les fissures dans le tuyau. Si l'une de ces conditions existe, n'utilisez pas l'appareil. Faites remplacer la pièce par votre concessionnaire Napoléon ou un installateur de gaz qualifié.
- **Nettoyage à l'intérieur de l'appareil:** Lors du lavage de votre appareil, assurez-vous de garder la zone autour du brûleur et de la veilleuse sèche en tout temps.
- Si la commande de gaz est exposée à l'eau de quelque façon que ce soit, N'essayez PAS d'utiliser l'appareil. La commande de gaz doit être remplacée.
- **Brûleur:** Le brûleur est en acier inoxydable 304 à paroi épaisse, mais une chaleur extrême et un environnement corrosif peuvent provoquer une corrosion de surface. Cela peut être enlevé avec une brosse métallique en laiton. Inspectez le brûleur au moins une fois par an à la recherche de fissures, de nids d'insectes, de corrosion excessive ou de tout autre dommage. Si le brûleur est endommagé, il doit être remplacé par un brûleur spécifié par le fabricant avant la mise en service de l'appareil.
- **Méfiez-vous des araignées!** Les araignées et les insectes sont attirés par l'odeur du propane et du gaz naturel. Le brûleur est équipé d'un écran anti-insectes sur l'obturateur d'air, ce qui réduit la probabilité que les insectes construisent des nids à l'intérieur du brûleur mais n'élimine pas entièrement le problème. Un nid ou une toile peut faire brûler le brûleur avec une douce flamme jaune ou orange ou provoquer un incendie (retour de flamme) au niveau de l'obturateur d'air sous le panneau de commande. Les autres signes d'avertissement pouvant indiquer un problème sont: une odeur forte ou inhabituelle provenant de l'appareil; difficulté continue ou allumage retardé; la flamme apparaît soit très courte soit très longue; la flamme ne brûle que partiellement à travers le brûleur; accumulation excessive de suie sur les braises de verre.
- Pour nettoyer l'intérieur du brûleur, il doit être retiré de l'appareil. Retirez l'écran de verre avant et les braises de verre et examinez le brûleur. S'il est sale, nettoyez-le avec une brosse métallique. Retirez les vis qui fixent le plateau de braises en verre et le pare-vent.
- Utilisez une brosse flexible à tube venturi pour nettoyer l'intérieur du brûleur. Secouez tous les débris du brûleur par l'entrée de gaz. Vérifiez que les orifices du brûleur et les orifices de soupape ne sont pas obstrués. Les orifices du brûleur peuvent se fermer avec le temps en raison des débris et de la corrosion. Utilisez un trombone ouvert ou un foret pour les nettoyer. Les orifices sont plus faciles à nettoyer si le brûleur est retiré de l'appareil, mais cela peut également être fait avec le brûleur installé.

! AVERTISSEMENT

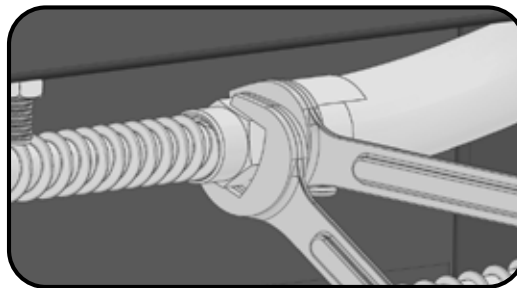
- La zone de l'appareil doit être dégagée et exempte de matériaux combustibles, d'essence et d'autres vapeurs et liquides inflammables. N'obstruez pas la circulation de l'air de combustion et de ventilation. Gardez l'ouverture de ventilation de l'enceinte de la bouteille exempte de débris.

Pour accéder la veilleuse:

1. Retirez l'écran en verre, les braises de verre et les vis fixant le plateau du brûleur en place. Soulevez le plateau et placez-le sur le côté ou sur un angle. Veillez à ne pas endommager le tube et les fils de la veilleuse.



2. Retirez le tuyau flexible et l'orifice du brûleur.



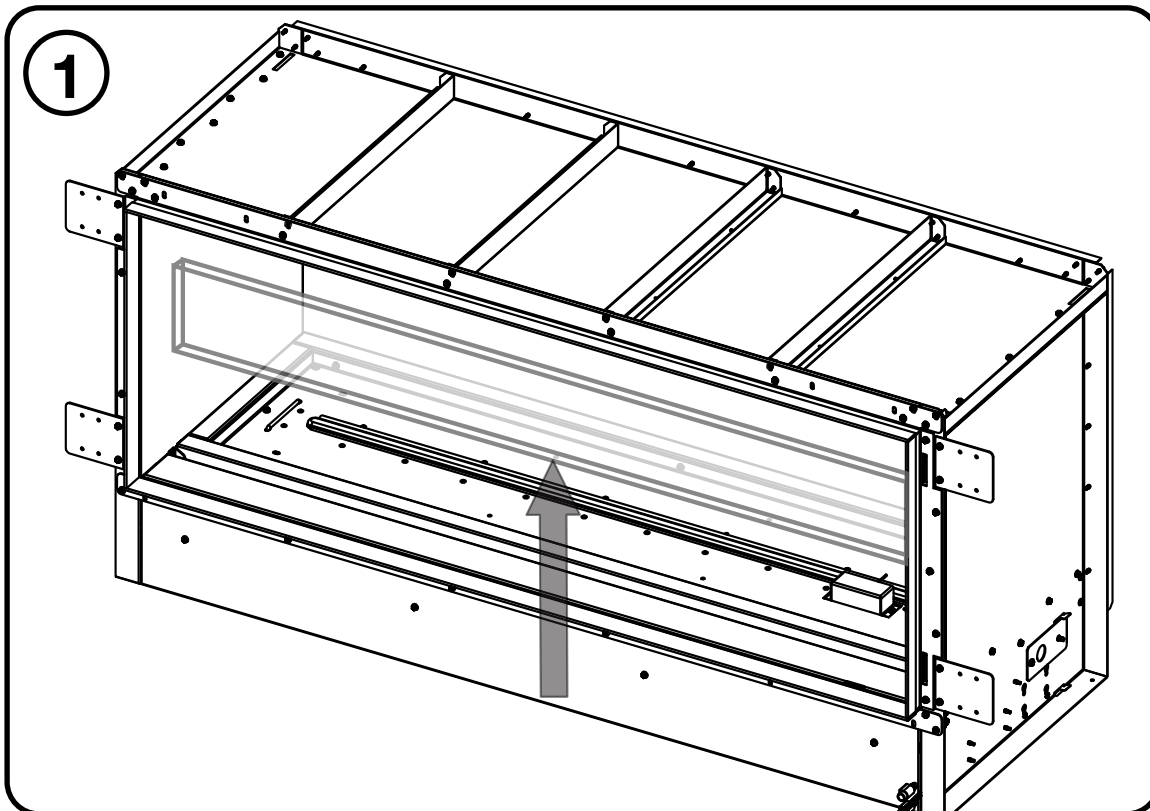
Réinstallation: Inversez la procédure pour réinstaller le brûleur. Vérifiez que l'orifice pénètre dans le brûleur lors de l'installation. Remplacez les braises de verre et l'écran de verre avant. Lorsque l'appareil est remis en service, comparez le modèle de flamme du brûleur aux images de la section «Fonctionnement» pour vérifier que l'appareil fonctionne correctement.

Nettoyage de la surface extérieure de l'appareil: N'utilisez pas de nettoyants abrasifs ou de laine d'acier sur les pièces peintes ou en acier inoxydable de votre appareil Napoléon. Cela égratignera la finition. Les surfaces extérieures doivent être nettoyées à l'eau chaude savonneuse. Pour nettoyer les surfaces en acier inoxydable, utilisez un acier inoxydable ou un nettoyant non abrasif. Essayez toujours dans le sens du grain. Au fil du temps, les pièces en acier inoxydable se décolorent lorsqu'elles sont chauffées, généralement dorées ou brunes. Cette décoloration est normale et n'affecte pas les performances de l'appareil.

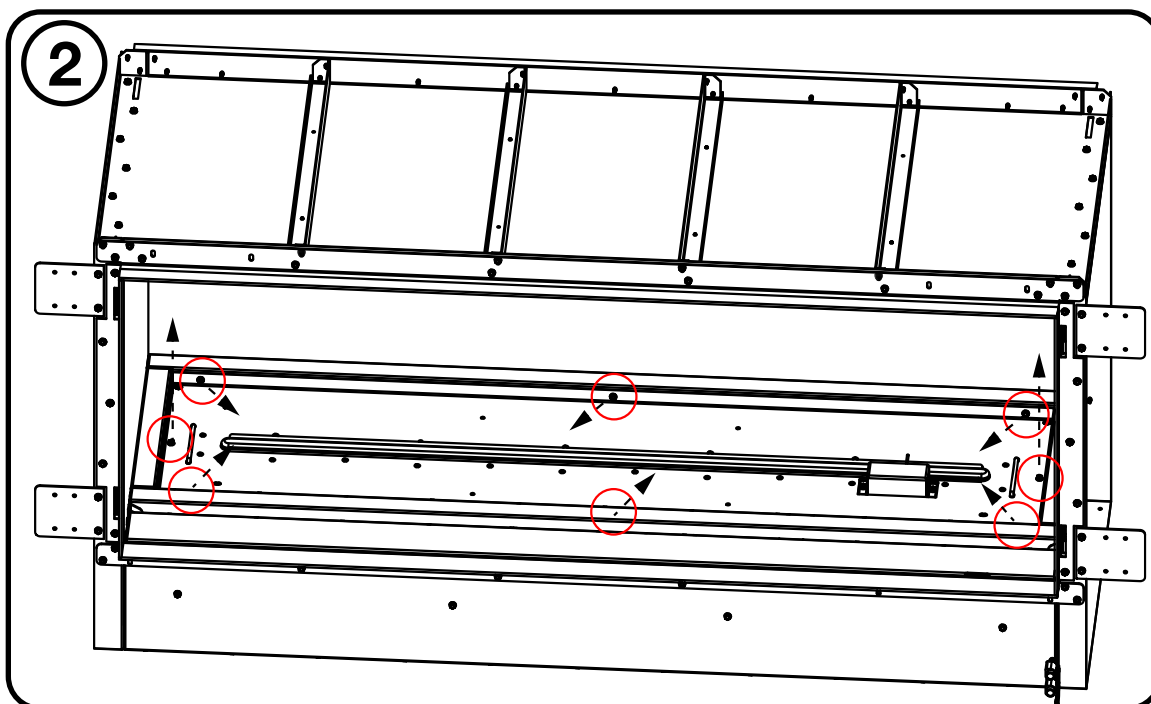
! AVERTISSEMENT

- Débranchez l'alimentation électrique de l'appareil avant de procéder à l'entretien. Éteignez complètement l'appareil et laissez-le refroidir avant de le réparer. Seul un technicien qualifié doit entretenir et réparer cet appareil électrique.

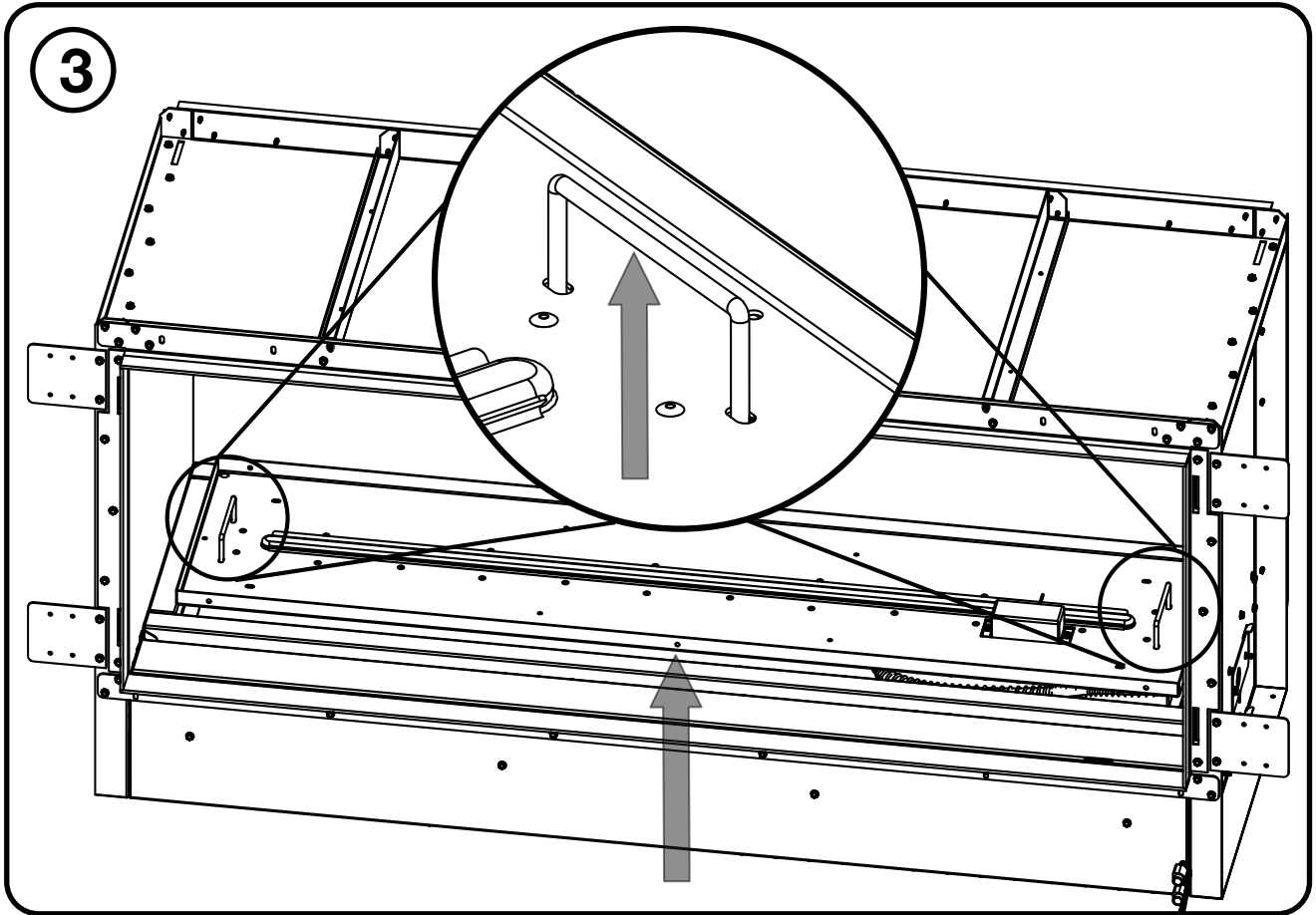
1. Retirez l'écran en verre (N300-0003) de l'appareil.



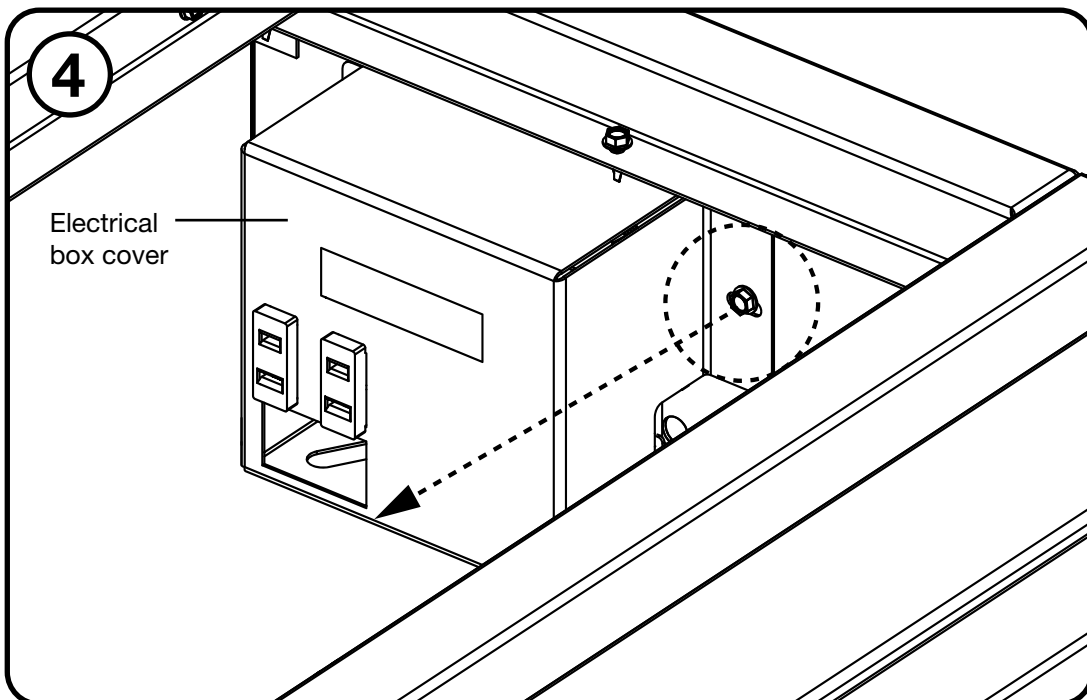
2. Retirez UNIQUEMENT les 8 vis (N570-0008) indiquées sur l'illustration.



3. Soulevez le plateau du brûleur avec les poignées comme illustré.



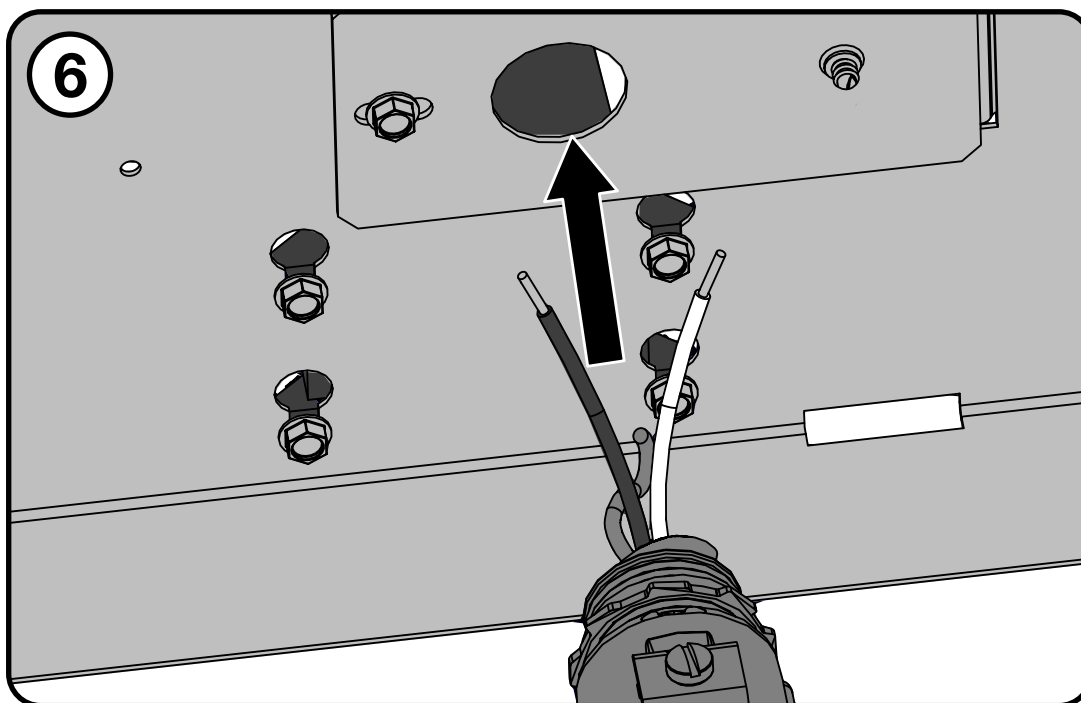
4. Retirez la vis (N570-0008) du couvercle du boîtier électrique.



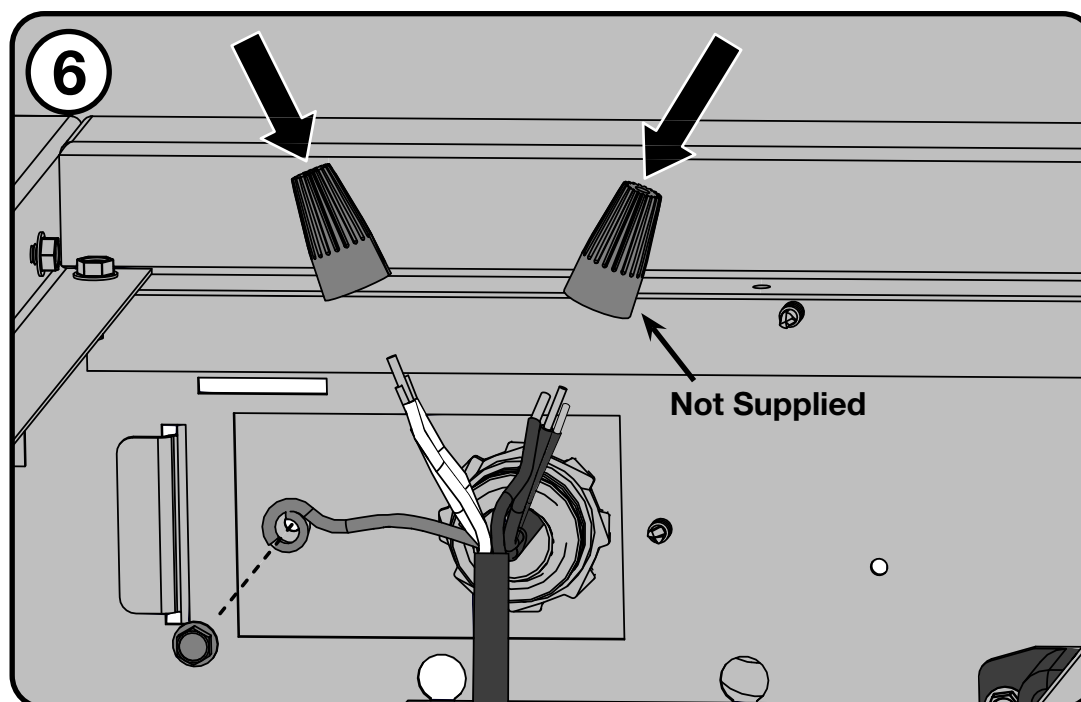
entretien / instructions de nettoyage

FR

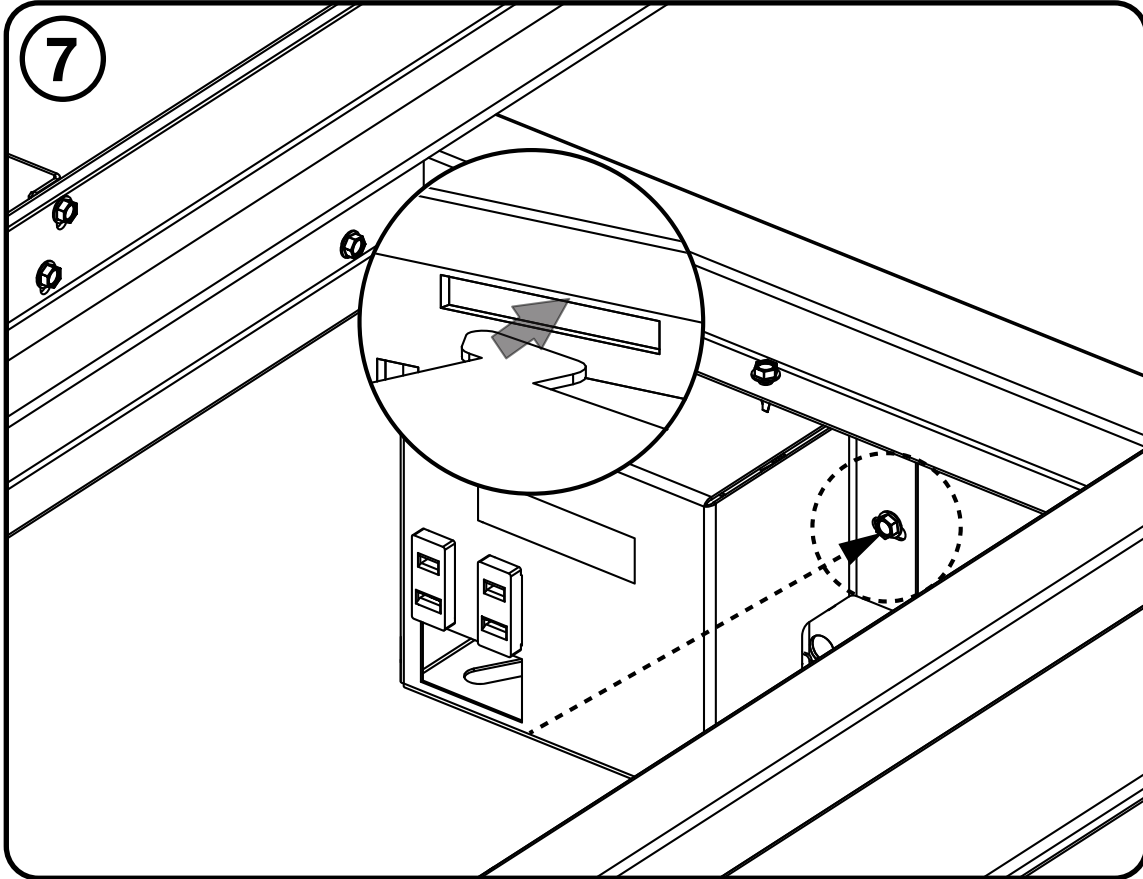
5. Installez la connexion de la boîte en utilisant le trou de 7/8" (22,2 mm) dans la boîte de jonction.



6. Connectez le fil de terre vert à la plaque de jonction à l'aide de la vis de terre comme illustré. Connectez les fils blancs communs ensemble comme illustré, puis les fils noirs chauds comme illustré.



7. Réinstallez le boîtier électrique comme indiqué.



8. Réinstallez le plateau du brûleur à l'aide des poignées comme illustré. Veillez à ne pas endommager le tube et les fils de la veilleuse.
9. Réinstallez l'écran en verre.

11.0 pièces de rechange

FR

AVERTISSEMENT

- Omettre de positionner les pièces conformément à ce manuel ou d'utiliser uniquement des pièces spécifiquement approuvées pour cet appareil peut causer des dommages matériels ou des blessures corporelles.

Contactez votre détaillant pour les questions concernant les prix et la disponibilité des pièces de remplacement. Normalement, toutes les pièces peuvent être commandées chez votre détaillant autorisé.

Pour un remplacement de pièce sous garantie, une photocopie de la facture originale sera requise afin de pouvoir honorer la demande.

Lorsque vous commandez des pièces, donnez toujours l'information suivante:

- Modèle et numéro de série de l'appareil
- Date d'installation de l'appareil
- Numéro de la pièce
- Description de la pièce
- Fini

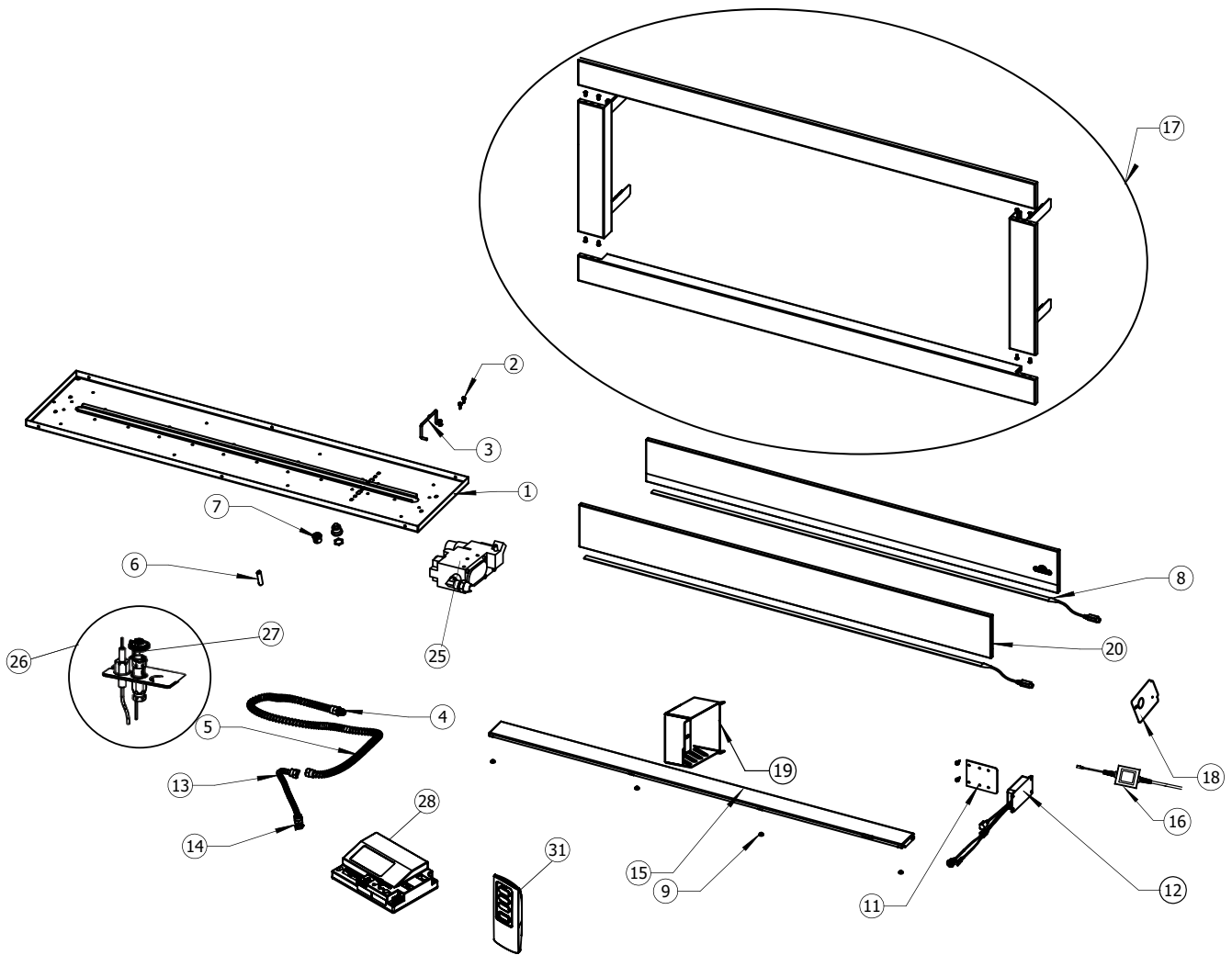
Pièces, numéro des pièces et s'il soit disponible peut changer sans préavis.

Parties identifiées comme garnie seront livrés dans 2 à 5 jours pour la plupart des destinations de livraison.

Pièces non identifiées que stockés seront livrés dans un délai de 2 à 4 semaines pour la plupart des cas.

Pièces identifiées comme « SO » sont commande spéciale et peuvent prendre jusqu'à 90 jours pour la livraison.

11.1 vue d'ensemble



LÉGENDE	
X	STANDARD
N	APPAREILS AU GAZ NATUREL UNIQUEMENT
P	APPAREILS AU PROPANE UNIQUEMENT
AC	ACCESSOIRE

pièces de rechange

FR

Réf.	No. de Pièce	Description	LÉGENDE
1	W010-4982	ASSEMBLAGE, PLATEAU DU BRÛLEUR	
2	N570-0008	VIS # 8 X 12"	X
3	N325-0074	POIGNÉE PLATEAU EN VERRE	
4	N455-0066	ORIFICE NATURAL #25	N
	W455-0076	ORIFICE PROPANE #43	P
5	N720-0062	CONNECTEUR FLEXIBLE 30" X 3/8"	
6	N043-0004	BATTERIE, A23 12V	
7	N660-0002	INTERRUPTEUR LUMIÈRE	
8	N750-0026	CÂBLAGE LED	
	W160-0095	FIL DE CLIP	
9	N510-0002	PARE-CHOCS EN SILICONE	
10	N300-0003	ÉCRAN EN VERRE	X
11	N665-0012	ONGLET DE CLOUAGE	
12	N190-0002	LED, CONTRÔLEUR	
13	W175-0217	CONNECTEUR FLEXIBLE AVEC SOUPE	
14	W200-0847	RACCORD, 3/8"	
15	N200-0847	COUVERCLE, PANNEAU DE COMMANDE	
	N570-0096	VIS À OREILLES	
16	N707-0033	TRANSFORMATEUR	
17	LT48SS	KIT DE GARNITURE, 1 PAR CÔTÉ	AC
18	N500-0057	PLAQUE DE BOÎTE DE JONCTION	X
19	N350-0694	BOÎTIER ÉLECTRIQUE	
20	GSS48COV	COUVERCLE EN ACIER INOXYDABLE (GSS48ST UNIQUEMENT)	
21	MKGA	BRAISES DE VERRE, AMBRE 6LB	
	MKGC	BRAISES DE VERRE, INCOLORE 6LB	
	MK GK	BRAISES DE VERRE, NOIR 6LB	
	MKGB	BRAISES DE VERRE, BLEU 6LB	
	MKGR	BRAISES DE VERRE, ROUGE 6LB	AC
22	MRKL	ROCHES DE LA RIVIÈRE	
23	DL45	ENSEMBLE DE BÛCHES DE BOIS FLOTTÉ	
24	W175-0745	ENSEMBLE DE CONVERSION, GN À PL (GSS48E)	
	W175-0746	ENSEMBLE DE CONVERSION, PL À GN (GSS48E)	
25	W725-0095	SOUPE, DEXEN EI GN (H3V NO-PURGE)	
	W725-0101	SOUPE, DEXEN EI PL (H3V NO-PURGE)	
26	W010-4945	ENSEMBLE DE VEILLEUSE (GN)	
	W010-4972	ENSEMBLE DE VEILLEUSE (P)	
27	W455-0071	INJECTEUR DE VEILLEUSE (GN)	
	W455-0049	INJECTEUR DE VEILLEUSE (P)	
28	W190-0209	MODULE DE CONTRÔLE	X
29	W750-0510	CORDON D'ALIMENTATION DU MODULE DE CONTRÔLE	
30	W750-0511	HARNAIS DE FIL	
31	W660-0228	ÉMETTEUR	
32	N300-0002	BRAISES DE VERRE - TOPAZE 2 X 7,5LBS	
33	W585-1004	BOUCLIER DE VEILLEUSE	

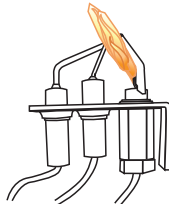
! AVERTISSEMENT

- Allumez toujours la veilleuse, que ce soit pour la première fois ou lorsque l'approvisionnement en gaz est épuisé, avec la porte vitrée (où applicable) ouverte ou retirée.
- Coupez l'alimentation en gaz et l'alimentation électrique avant de procéder à l'entretien de l'appareil.
- L'appareil peut être chaud. N'effectuez aucun entretien jusqu'à ce que l'appareil soit refroidi.
- N'utilisez pas de nettoyants abrasifs

symptôme	problème	solution
----------	----------	----------

Les flammes sont régulièrement trop grandes ou trop petites. Il se produit des dépôts de carbone.

La pression du gaz est trop faible ou trop forte.



- **Vérifiez la pression:** Pour vérifier la pression d'arrivée, tournez 2 ou 3 fois la vis (A) vers la gauche, puis emboîtez le tube du manomètre sur la pointe d'essai. Le manomètre doit indiquer la pression comme décrit sur le diagramme ci-dessous. Assurez-vous que le brûleur principal fonctionne à « HI ». La pression de sortie peut être vérifiée de la même façon en utilisant la vis (B). Le manomètre doit indiquer la pression comme décrit sur le diagramme ci-dessous. Assurez-vous que le brûleur principal fonctionne à « HI ». **Après avoir pris la lecture des pressions, assurez-vous de tourner fermement les vis vers la droite pour sceller. NE SERREZ PAS TROP FORT.** Vérifiez pour des fuites en appliquant une solution d'eau savonneuse.

Pression	Gaz Naturel (pouces)	Gaz Naturel (millibars)	Propane (pouces)	Propane (millibars)
Arrivée	*7" (minimum 4,5")	17,4mb (minimum 11,2mb)	13" (minimum 11")	32,4mb (minimum 27,4mb)
Sortie	3,5"	8,7mb	10"	24,9mb

***Pression d'alimentation maximale ne doivent pas dépasser 13"**

Le volet d'air est réglé incorrectement.

- Réinitialisez le réglage de l'ouverture d'air à l'usine.

Pour le propane - procédure d'allumage incorrecte.

Assurez-vous que la procédure d'allumage est suivie à la lettre. Tous les boutons de contrôle doivent être fermés lorsque vous ouvrez la soupape de la bonbonne. Tournez la soupape de la bonbonne lentement pour assurer l'équilibre de la pression. Voir les instructions d'allumage.

Pour le gaz naturel - tuyau d'alimentation trop petit.

La grosseur du tuyau doit être conforme au code d'installation.

Les flammes produites par les brûleurs sont jaunes et vous détectez une odeur de gaz.

Possibilité de toiles d'araignée ou autres débris.

- Retirez le brûleur et nettoyez-le complètement. Consultez les instructions d'entretien.

Du carbone se dépose sur la vitre, les bûches, les roches, les composants décoratifs ou les parois de la chambre de combustion.

Le volet d'air est bloqué.

- Assurez-vous que l'ouverture du volet d'air n'est pas bloquée par des fibres ou autres obstructions.

Le flamme effleure la vitre, les bûches, les roches, les composants décoratifs ou les parois de la chambre de combustion.

- Vérifiez si les composants décoratifs sont positionnés correctement.
- Augmentez l'ouverture du volet d'air pour augmenter le volume d'air primaire.
- Vérifiez le débit d'alimentation: vérifiez que la pression du collecteur et la grandeur de l'injecteur soient telles que spécifiées sur la plaque d'homologation.

Une pellicule blanche ou grise se forme.

Le soufre du combustible se dépose sur la vitre, les bûches ou les parois de la chambre de combustion.

- Nettoyez la vitre avec un nettoyeur recommandé. **NETTOYER PAS LORSQU'ELLE EST CHAUDE.**
- Si vous nettoyez pas les dépôts régulièrement, la vitre risque de rester marquée en permanence.

La veilleuse ne s'allume pas. Il y a du bruit mais aucune étincelle au brûleur de la veilleuse.

Câblage: pénurie, connexion desserrée (rectification de la flamme pauvres).

- Vérifiez qu'il n'y a pas de connexions desserrées du thermocouple ni sonde de flamme.
- Vérifiez l'interrupteur de bloc n'est pas endommagée ou trop serré. Vérifiez si les connexions de l'assemblage de la veilleuse sont serrées; vérifiez aussi si ces connexions ne causent pas de mise à la terre au niveau du métal. (Souvenez-vous que la flamme transporte le courant redresseur et non le gaz. Si la flamme se détache de la hotte, le circuit est rompu. Un mauvais injecteur ou une pression d'arrivée trop élevée peut causer la flamme de la veilleuse à se détacher)*. La tige de la sonde a possiblement besoin d'être nettoyée.

Aucun signal du télécommande avec ignition du veilleuse.

- Reprogrammer le code du récepteur.
- Remplacer le récepteur.

Connexion desserrée.

- Vérifiez qu'il n'y ait pas de connexions desserrées de courts-circuits dans le filage du soupape ni de l'assemblage de la veilleuse.

Filage d'interrupteur inapproprié.

- Réparez le système avec un simple interrupteur **marche/arrêt.**

Composants de veilleuse sale, peint ou endommagée.

- Nettoyez la tige de la sonde avec une toile d'émeri (Scotch-Brite™) afin d'enlever toute contamination qui ait pu s'accumuler sur la tige de la sonde. Vérifiez la continuité avec un multimètre réglé sur Ohms au calibre le plus bas.

guide de dépannage

FR

symptôme	problème	solution
Étincelle à la veilleuse mais celle-ci ne s'allume pas.	Alimentation en gaz.	<ul style="list-style-type: none"> - Vérifiez si la soupape à bille du conduit d'arrivée du gaz est « ouverte ». - Vérifiez si la pression d'arrivée est dans les limites acceptables. La pression d'arrivée ne doit pas excéder 13" de colonne d'eau (32,4mb).
	Plus de propane.	- Remplissez le réservoir.
	La ligne d'alimentation de la veilleuse peut contenir l'air.	- Répétez le processus d'étincelles plusieurs fois ou purger la conduite d'alimentation de la veilleuse.
	Le module n'est pas mis à la terre.	<ul style="list-style-type: none"> - Assurez le bon polarité du thermocouple (si fourni). - Vérifiez si les assemblages de la veilleuse et de la soupape sont bien mis à la terre.
	Récepteur (si équipé).	<ul style="list-style-type: none"> - Réinitialisez la programme: tenir le bouton de réinitialiser sur le récepteur attendre pour 2 bips. Relâcher le bouton après la deuxième bip. Pendant 20 secondes, appuyez sur le bouton de la télécommande accompagné d'une petite flamme, vous entendrez une bip additionnelle (cela confirmant que le code est réglé). - Remplacez le récepteur.
Soupape.	- Vérifiez le soupape et remplacer si nécessaire (attention à ne pas trop serrer le thermocouple).	
Continue de produire des étincelles et la veilleuse s'allume mais le brûleur principal ne s'allume pas.	Court-circuit ou connexion desserrée dans la tige de la sonde.	- Vérifiez toutes connexions. Vérifiez si les connexions de l'assemblage de la veilleuse sont serrées; vérifiez aussi si ces connexions ne causent pas de mise à la terre au niveau du métal.
	Composants de veilleuse sale, peint ou endommagée.	- Nettoyez la tige de la sonde avec une toile d'émeri (Scotch-Brite™) afin d'enlever toute contamination qui ait pu s'accumuler sur la tige de la sonde. Vérifiez la continuité avec un multimètre réglé sur Ohms au calibre le plus bas.
Interrupteur mural est en position « off »; la brûleur s'allume.	L'interrupteur mural est monté à l'envers.	- Inverse.
	Interrupteur mural et/ou le fil est relié à la terre.	<ul style="list-style-type: none"> - Remplacer. - Vérifier la masse (court); réparer ou remplacer les fils.
	Câble défectueux.	- Remplacer.
Le télécommande ne fonctionne pas correctement.	La télécommande s'allume mais aucune étincelle ou flamme. (La télécommande est verrouillée).	<ul style="list-style-type: none"> - Réinitialiser en tournant l'alimentation « off » puis « on ». <div style="border: 1px solid black; padding: 5px; margin-top: 5px;"> <p>note: Si les piles de sauvegarde sont installés, ils doivent être enlevés pour programmer le télécommande.</p> </div>
	Les piles du récepteur ou télécommande sont faibles.	- Remplacez les piles.
	Erreur de synchronisation.	- Réinitialiser le télécommande et le récepteur.
	Le télécommande est trop loin du récepteur.	- Voir la section « schéma de câblage ».
	Les broches de connecteur de fils sont courbés.	- Redresser les fils.
	Câblage de la soupape est endommagée	- Remplacez la soupape.
	L'appareil n'effectue aucune fonction.	Pas de puissance au système.
L'interrupteur du récepteur est à la mauvaise position (si équipé).		- Vérifiez que le commutateur à 3 position du récepteur est dans la position « milieu ».
L'interrupteur de l'interrupteur est à la mauvaise position (si équipé).		- Vérifiez que le récepteur est dans la position « on ».
La télécommande ne fonctionne pas.		- Vérifiez les pile ainsi que leur orientation.
Lumière(s) ne fonctionnent pas (si équipé).	L'ampoule est éteint.	- Changez l'ampoule.
	Harnais de lumière est endommagé.	- Remplacez l'harnais.
	Commutateur dans la mauvaise position.	- Vérifiez que le commutateur est dans la position « on ».
	Pas d'alimentation aux lumières.	- Assurez-vous que le transformateur d'alimentation est branché dans la boîte de jonction et que les lumières sont correctement câblées.

Les produits NAPOLÉON sont fabriqués conformément aux normes strictes du Système de Gestion de la Qualité mondialement reconnu ISO 9001 : 2015.

Les produits NAPOLÉON sont conçus avec des composants et des matériaux de qualité supérieure, assemblés par des artisans qualifiés qui sont fiers de leur travail. Le brûleur et le montage de la soupape subissent un test de détection de fuite et d'allumage à une station de test de qualité. Une fois assemblé, chaque appareil est soigneusement inspecté par un technicien qualifié avant d'être emballé pour garantir que vous, le client, recevez le produit de qualité dont vous attendez de NAPOLÉON.

Garantie Limitée de 5 ans des Appareils au Gaz Napoléon

Tous les composants en acier inoxydable de votre nouvel appareil au gaz NAPOLÉON sont garantis contre les défauts pour une période de cinq ans.

Les composants électriques (110V) et les pièces soumises à l'usure sont couverts et NAPOLÉON fournira gratuitement les pièces de rechange durant la première année de la garantie limitée. Ceci couvre: les soupapes de gaz, les bûches et les joints d'étanchéité.*

Les coûts de main-d'oeuvre relatifs aux réparations garanties sont couverts gratuitement durant la première année. Cependant, les travaux de réparation nécessitent l'approbation préalable d'un représentant autorisé de la compagnie. Les coûts de main-d'oeuvre à la charge de NAPOLÉON sont basés sur un programme de tarifs prédéterminé et tout travail de réparation doit être accompli par l'entremise d'un représentant autorisé NAPOLÉON.

*La fabrication de chaque modèle varie. La garantie s'applique uniquement aux composants disponibles avec votre appareil.

Conditions et Limitations

NAPOLÉON garantit ses produits contre les défauts de fabrication à l'acheteur d'origine seulement. L'enregistrement de la garantie n'est pas nécessaire. Fournissez simplement une preuve d'achat ainsi que le modèle et le numéro de série afin d'effectuer une réclamation de garantie. NAPOLÉON se réserve le droit de demander à son représentant d'inspecter tous produits ou pièces avant d'honorer toute réclamation. L'achat doit avoir été fait par l'entremise d'un détaillant NAPOLÉON autorisé et sous réserve des conditions et limitations suivantes:

La couverture de la garantie débute à partir de la date d'installation originale.

Cette garantie limitée s'applique seulement lorsque l'appareil demeure à l'endroit d'installation d'origine et seulement si l'appareil est installé au Canada ou aux États-Unis.

Cette garantie du fabricant n'est pas transférable et ne peut être prolongée par aucun de nos représentants.

L'installation doit être faite conformément aux instructions d'installation incluses avec le produit et à tous les codes d'incendie et de construction locaux et nationaux.

Cette garantie limitée ne couvre pas les dommages causés par un mauvais usage, un manque d'entretien, un accident, des altérations, des abus ou de la négligence et l'installation de pièces d'autres fabricants annulera cette garantie.

Cette garantie limitée ne couvre pas non plus les égratignures, les bossellements, la corrosion ou la décoloration causés par une chaleur excessive, des produits d'entretien chimiques et abrasifs, le bris par manipulation des bûches et des braises.

Au cours de la première année seulement, cette garantie s'applique à la réparation ou au remplacement des pièces garanties dont les matériaux ou la fabrication sont défectueux à la condition que le produit ait été utilisé conformément aux instructions de fonctionnement et dans des conditions normales.

Après la première année, concernant cette Garantie Limitée, NAPOLÉON peut, à sa discrétion, se libérer entièrement de toutes obligations en ce qui concerne cette garantie en remboursant à l'acheteur d'origine le prix de gros de toute pièce(s) garantie qui est défectueuse.

Après la première année, NAPOLÉON ne sera pas responsable de l'installation, de la main-d'oeuvre ou autres dépenses relatives à la réinstallation d'une pièce garantie et de telles dépenses ne sont pas couvertes par cette garantie.

Nonobstant toutes les dispositions contenues dans cette Garantie Limitée, la responsabilité de NAPOLÉON sous cette garantie est définie comme ci-dessus et elle ne s'appliquera à aucun dommage accidentel, consécutif ou indirect.

Cette garantie définit l'obligation et la responsabilité de NAPOLÉON en ce qui concerne l'appareil au gaz Napoléon et toute autre garantie énoncée ou implicite en ce qui concerne ce produit, ses composants ou accessoires est exclue.

Cette garantie limitée ne couvre pas les dommages causés par l'utilisation de composants qui ne sont pas fournis avec l'appareil, ou l'utilisation d'un combustible autre que celui spécifié.

Tous dommages causés à l'appareil par les intempéries, de longues périodes d'humidité, la condensation, les produits chimiques ou produits d'entretien nuisibles ne seront pas la responsabilité de NAPOLÉON.

La facture ou sa copie sera requise ainsi qu'un numéro de série et un numéro de modèle lors d'une réclamation auprès de votre représentant autorisé. La carte d'enregistrement de garantie doit être retournée dans les quatorze jours pour enregistrer la garantie.

NAPOLÉON se réserve le droit de demander à son représentant d'inspecter tout produit ou pièce avant d'honorer toute réclamation.

Le fabricant peut exiger que les pièces défectueuses ou les produits soient retournés ou que des photos numériques soient fournies pour valider la réclamation. Les produits retournés doivent être expédiés port payé au fabricant pour une inspection en usine. Si un produit est déclaré défectueux, le fabricant le réparera ou le remplacera.

Avant d'expédier votre appareil ou les pièces défectueuses, votre détaillant doit obtenir un numéro d'autorisation. Toute marchandise expédiée à notre usine sans autorisation sera refusée et retournée à l'expéditeur.

Les coûts d'expédition ne sont pas couverts par cette garantie.

Des frais de service supplémentaires peuvent être appliqués si vous cherchez à obtenir des services au titre de la garantie auprès d'un détaillant.

Les frais de déplacement pour de tests de diagnostic, d'expédition et autres frais afférents ne sont pas couverts par cette garantie.

Toutes les spécifications et les conceptions sont sujettes à modifications sans préavis en raison des améliorations constantes apportées aux produits. Napoléon est une marque de commerce déposée de Wolf Steel Ltée.

NAPOLÉON CÉLÈBRE PLUS DE 40 ANS D'EXISTENCE CONSACRÉS À LA CONCEPTION DE PRODUITS DE CONFORT



7200, Route Transcanadienne, Montréal, Québec H4T 1A3
24 Napoleon Road, Barrie, Ontario, Canada L4M 0G8
214 Bayview Drive, Barrie, Ontario, Canada L4N 4Y8
103 Miller Drive, Crittenden, Kentucky, USA 41030
De Riemsdijk 22, 4004 LC Tiel, Pays-Bas

Téléphone: 1-866-820-8686

napoleon.com