

# OSSEO eSERIES ELECTRIC FIREPLACES

e29 INSERT | e34 INSERT | e50 LINEAR | e64 LINEAR | e80 LINEAR



Panoramic Bay application Osseo e50 with orange flame, blue downlighting, white ember bed light

QUALITY FIREPLACES FOR LIFE.

**KOZY**  **HEAT**  
FIREPLACES



Front Facing Osseo e50 with orange/amber flame,  
downlighting and sea breeze ember bed light

Osseo e34 insert with birch logs, orange flame, yellow downlighting, and orange ember bed light with a mission screen front.



Osseo e34 with a red/orange flame, purple  
downlighting and a blue ember bed



# OSSEO eSERIES

## Osseo Linear Optional Mantels



### Gray & White Options

*Osseo e50 & e64 Only*

## Flame Options

Ultra-realistic Flame Pattern: Amber, Orange, or Combination (5 Levels of Intensity)



## Burn Videos



Osseo e50  
Birch



Osseo e50  
Traditional

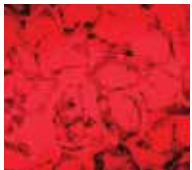


Osseo e34 Insert  
Birch

## Lighting Options

Downlight Accent Lighting: 7 Colors (5 Levels of Intensity) Glowing Ember Bed: 13 Colors (5 Levels of Intensity)

*Variations in the color and tone are common in the printing process, therefore actual colors may vary slightly from those shown.*



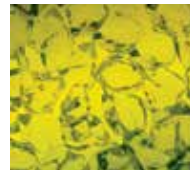
**Amber**  
Ember Bed Light Kit  
and Downlighting Kit



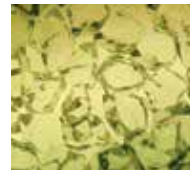
**Ember**  
Ember Bed Light Kit



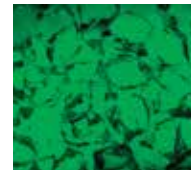
**Orange**  
Ember Bed Light Kit  
and Downlighting Kit



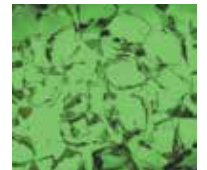
**Yellow**  
Ember Bed Light Kit  
and Downlighting Kit



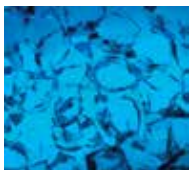
**Light Yellow**  
Ember Bed Light Kit  
and Downlighting Kit



**Green**  
Ember Bed Light Kit



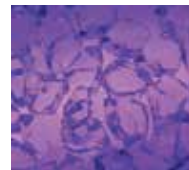
**Light Green**  
Ember Bed Light Kit



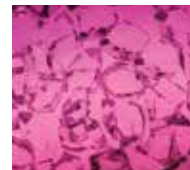
**Sea Breeze**  
Ember Bed Light Kit



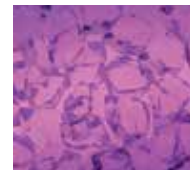
**Blue**  
Ember Bed Light Kit  
and Downlighting Kit



**Purple**  
Ember Bed Light Kit  
and Downlighting Kit



**Pink**  
Ember Bed Light Kit



**Magenta**  
Ember Bed Light Kit



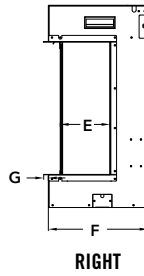
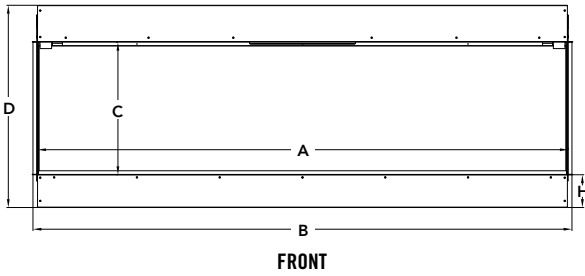
**White**  
Ember Bed Light Kit

# OSSEO eSERIES

## Front Facing, Corner (Right or Left), and Panoramic Bay

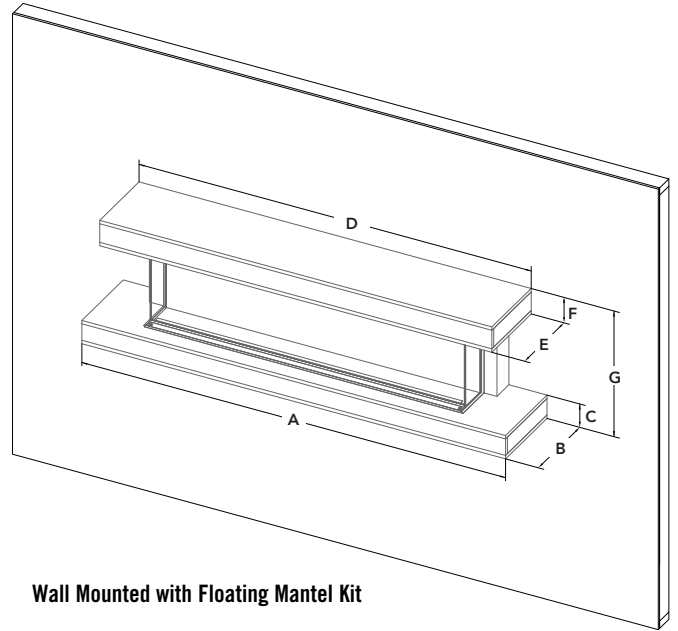
**PRODUCT DIMENSIONS**

Model	A	B	C	D	E	F	G	H
OSO-e50	49-1/4"	50-1/2"	15-7/8"	24"	5-5/8"	11-7/8"	1/2"	3-7/8"
OSO-e64	63"	64-1/4"	15-7/8"	24"	5-5/8"	11-7/8"	1/2"	3-7/8"
OSO-e80	78-3/4"	80"	15-7/8"	24"	5-5/8"	11-7/8"	1/2"	3-7/8"



**WALL MOUNTED MANTEL KIT DIMENSIONS**

Model	A	B	C	D	E	F	G
OS-e50	70-7/8"	15-3/4"	4-7/8"	64-1/2"	14-7/8"	5-1/4"	25-7/8"
OS-e64	84-1/2"	15-3/4"	4-7/8"	78-1/2"	14-7/8"	5-1/4"	25-7/8"



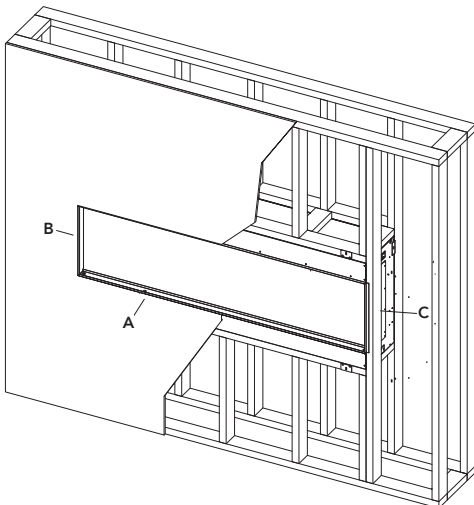
Wall Mounted with Floating Mantel Kit

**FRAMED OPENING DIMENSIONS**

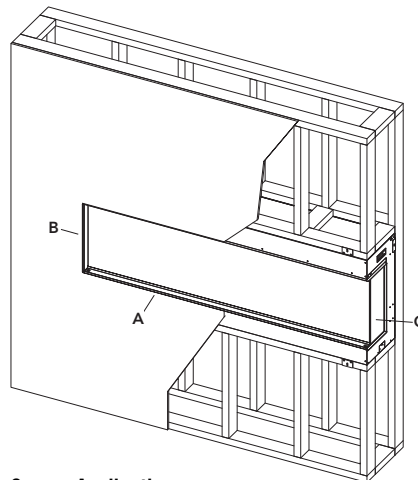
Model	A	B	C
OSO-e50	49-3/4"	24-1/2"	12-1/4"
OSO-e64	63-1/2"	24-1/2"	12-1/4"
OSO-e80	79-1/4"	24-1/2"	12-1/4"

**3 SIDED FRAMED OPENING DIMENSIONS**

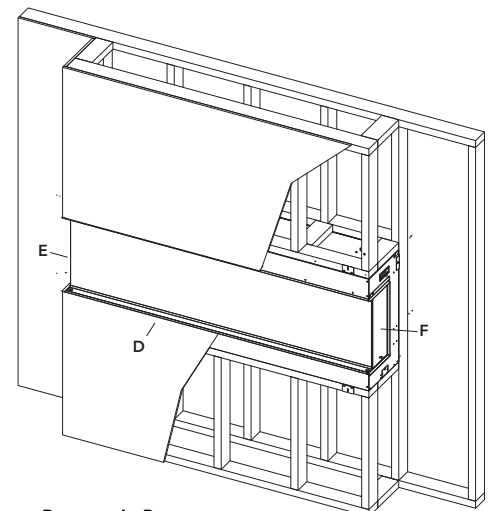
Model	D	E	F
OSO-e50	49-3/4"	24-1/2"	12-1/4"
OSO-e64	63-1/2"	24-1/2"	12-1/4"
OSO-e80	79-1/4"	24-1/2"	12-1/4"



Single Sided



Corner Application



Panoramic Bay

Osseo e34 with an orange/amber flame, orange downlighting and an orange ember bed

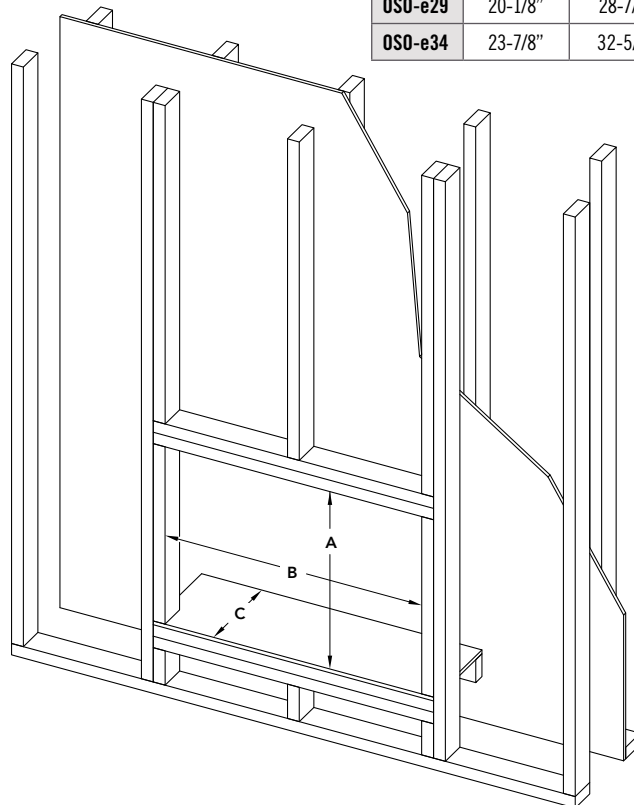
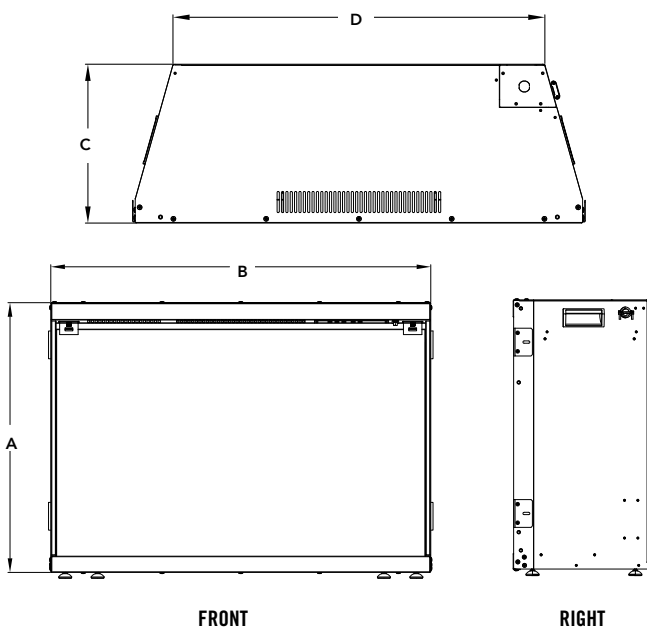


## OSSEO eSERIES

### Insert

PRODUCT DIMENSIONS				
Model	A	B	C	D
OSO-e29	19-1/16"	28-9/16"	11-1/2"	23"
OSO-e34	22-7/8"	32-5/16"	11-1/2"	26-3/4"

FRAMING DIMENSIONS			
Model	A	B	C
OSO-e29	20-1/8"	28-7/8"	11-5/8"
OSO-e34	23-7/8"	32-5/8"	11-5/8"



# OSSEO eSERIES

## Specifications

Model	Osseo e29	Osseo e34	Osseo e50	Osseo e64	Osseo e80
<b>Weight</b>	lbs.	lbs.	133 lbs.	156 lbs.	212 lbs.
<b>Viewing Area</b>	19-1/16" x 28-9/16"	22-7/8" x 32-5/16"	15-7/8" x 49-1/4"	15-7/8" x 63"	15-7/8" x 78-3/4"
<b>Heater</b>	750W / 1500W @ 120V   5,000 BTUs				
<b>Electrical</b>	Plug in or hardwired 120V with Energy Saving LED light kits				
<b>Light Kits</b>	Downlighting & Ember Bed Light Kit				
<b>Included Media</b>	Smoked Glass Crystals				
<b>Optional Log Sets</b>	12 pc. Traditional or Birch Log Sets				
<b>Multi-Function Remote Control</b>	Thermostat Control, Timer (30 Min. – 8 HR)				
<b>Multi-Design Options</b>	Front Facing		Front facing, Corner (Right or Left) and Panoramic Bay		
<b>Optional Fronts</b>	Chaska Series Front & Surrounds		Rectangle Surround		
<b>Liner</b>	Reflective Glass Firebox Liner				
<b>Crackling Log Effect</b>	Hi / Med / Lo				

Features, Options & Specifications are subject to change.

Refer to the install manuals for complete installation requirements.

## Clearances

Model	Osseo e29	Osseo e34	Osseo e50	Osseo e64	Osseo e80
<b>Bottom of Appliance</b>	0"	0"	0"	0"	0"
<b>Left and Right Sides of Appliance</b>	0"	0"	0"	0"	0"
<b>Back of Appliance</b>	0"	0"	0"	0"	0"
<b>Top of Appliance:</b>	1"	1"	0"	0"	0"
<b>Top Finishing Edge to 12" Mantel:</b>	0"	0"	0"	0"	0"
<b>Bottom Finishing Edge to Unlimited Hearth:</b>	0"	0"	0"	0"	0"
<b>Combustible Material in Front of Glass Viewing Area:</b>	0"	0"	0"	0"	0"



Front Facing Osseo e50 with orange flame, purple downlighting, white bottom light kit with birch logs

In order to continually provide the highest quality product available, features/options, specifications & dimensions are subject to change. Refer to the unit installation manual for complete installation instructions. Installation must conform with local building codes.

Product Line:



For complete information on the Kozy Heat product line, please contact us at:

FOR CALIFORNIA RESIDENTS ONLY

⚠ California Proposition 65 Warning

WARNING: Cancer and Reproductive Harm - [www.P65Warnings.ca.gov](http://www.P65Warnings.ca.gov).