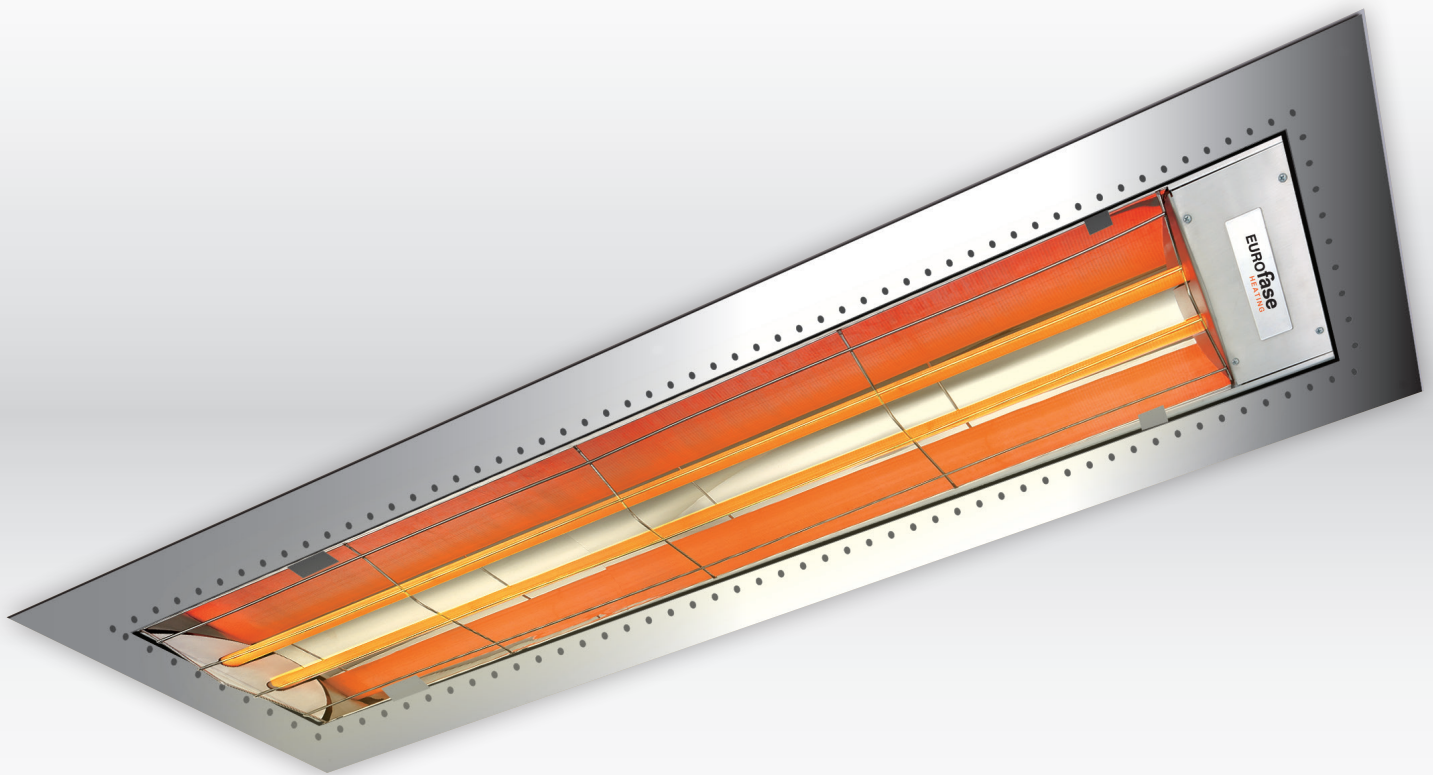


FLUSH MOUNT KIT INSTALLATION MANUAL



**PLEASE SAVE THIS
MANUAL FOR
FUTURE REFERENCE.**

READ THIS MANUAL CAREFULLY.
SEE INSIDE COVER FOR IMPORTANT
INFORMATION ABOUT THIS MANUAL.
KEEP INSTRUCTION WITH
APPLIANCE FOR FUTURE REFERENCE.

Warnings

PLEASE READ ALL INSTRUCTIONS PRIOR TO INSTALLING THE FLUSH MOUNT KIT OR USING HEATER.

This unit may cause a shock or possible ignition if service is attempted without first disconnecting its power source.

Keep electrical cords, drapery, furnishings and other combustible materials at least 3.3ft (1m) from the heater's front fascia and away from sides and rear.

A LICENSED ELECTRICIAN IS REQUIRED TO INSTALL THIS PRODUCT.

GOOD TO KNOW!

For optimal heater performance and longevity, a 15 minute cool down period is recommended after 4 hours of continuous usage.

WARNING CHECKLIST:



- Flush mount kit is not applicable with ceiling mount and wall mount applications
- Only use the standard grill that comes with the heater for flush mount installation application. The Eurofase Heating decorative cover is NOT compatible with this flush mount installation.
- The front fascia of the heater body must face down and be flush with the finished ceiling
- Heater and flush mount kit cannot be installed on a pitched angle
- Flush mount kit is applicable only for flat non-sloped ceiling application
- Accessible junction box is to be installed on the outer parts of the sealed drywall pocket
- Required to use 5/8" Type X drywall
- Required to use supplied 4 foot hi-temp fixture whip and hi-temp ceramic wire nuts
- Longer length hi-temp fixture whips are available, please contact Eurofase Heating or your distributor for purchase

EUROfase HEATING

Head Office:

33 West Beaver Creek Road, Richmond Hill, ON L4B 1L8 Canada
Tel: 1.800.660.5391
www.EurofaseHeating.com

Pat. www.EurofaseHeating.com/patents

Note: Eurofase Heating reserves the right to make changes to specifications, parts, components and equipment without prior notification. This Installation, operation and service manual may not be reproduced in any form with prior written consent from Eurofase Heating.



Contents

WARNINGS.....Page 2

GETTING STARTED.....Page 4

INSTALLATION INSTRUCTIONS.....Page 5

 Step 1: Installation of the fire retardant drywall pocket.....Page 5

 Step 2: Establishing an electrical connection.....Page 6

 Step 3: Install the flush mount frame into the drywall pocket.....Page 7

 Step 4: Completing an electrical connection.....Page 8

 Step 5: Install heater into the flush mount frame.....Page 9

 Step 6: Decorative trimPage 11

Getting Started

This flush mount kit is designed to work with the EF40, EF50 and EF60 heater series. Eurofase Heating offers two frame sizes; a 39-inch and a 61-inch, which can house the heaters with wattages ranging from 4000 to 6000 watts.

For optimum use, choose an area with a flat ceiling and a minimum of 2-inch x 8-inch studs. For installation, the heater should be installed in an area where the unit faces straight down when recessed, and away from any ceiling fan or light fixtures.

2 x 8 STUDS MINIMUM

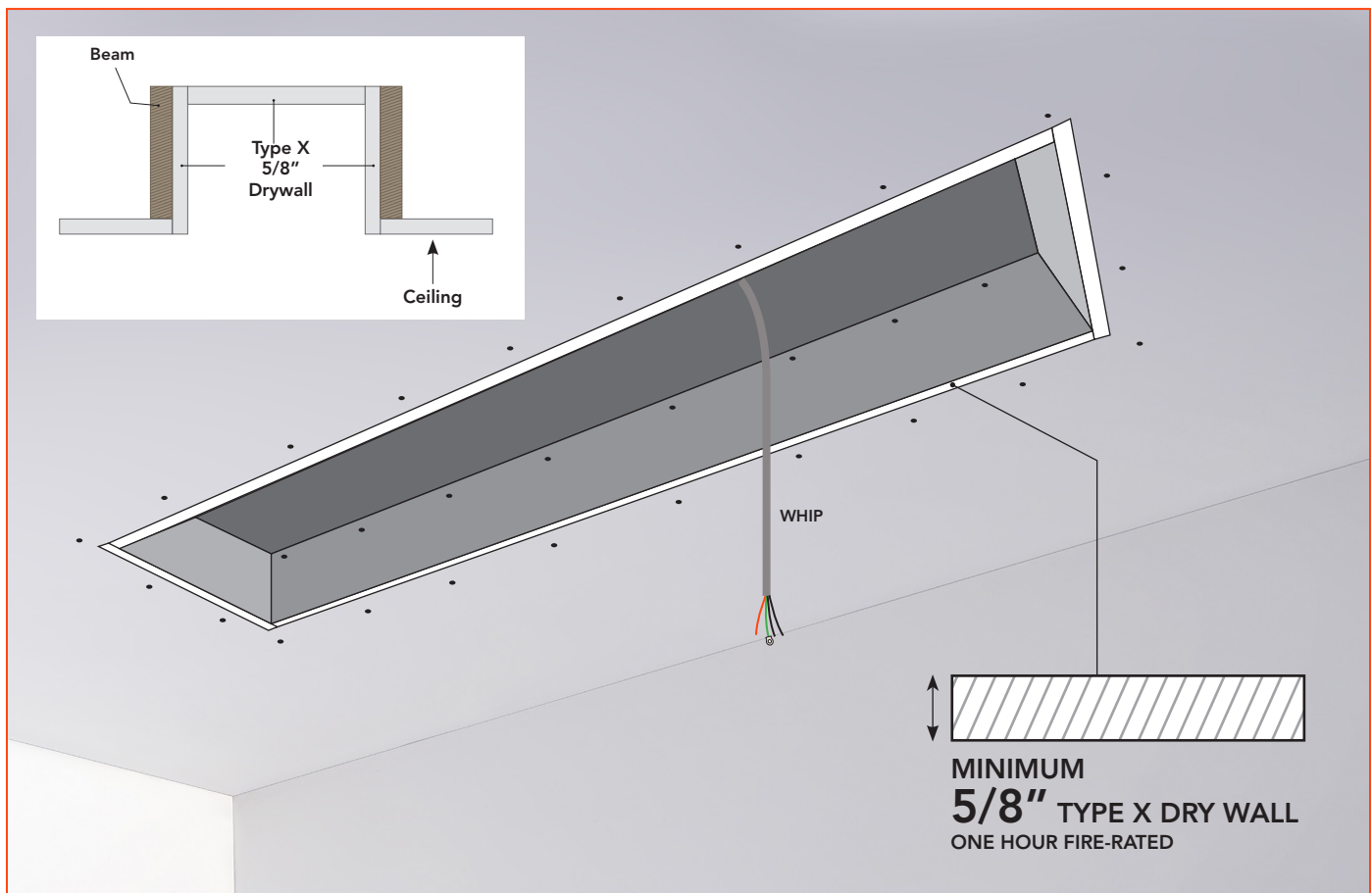


Some parts of this product can become very hot and cause burns. Particular attention has to be given where children and vulnerable people are present.

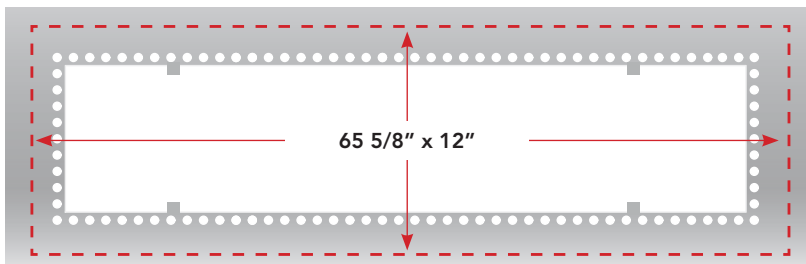
STEP 1: Installation of the fire retardant drywall pocket

The first step to install your flush mount kit is the installation of a one-hour rated fire retardant drywall (or otherwise known as Type X) to line the pocket, which will help to contain the heat of the unit.

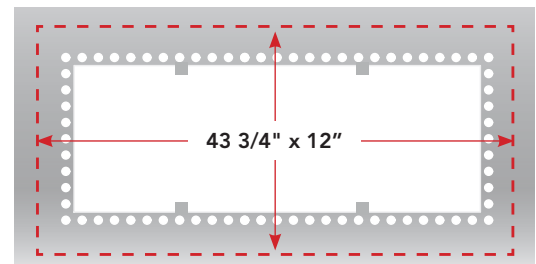
- To house a 61-inch heater, the finished opening should measure 65 5/8 x 12 inches.
- To house a 39-inch heater, the finished opening should measure 43 3/4 x 12 inches.



61" FLUSH MOUNT FRAME



39" FLUSH MOUNT FRAME

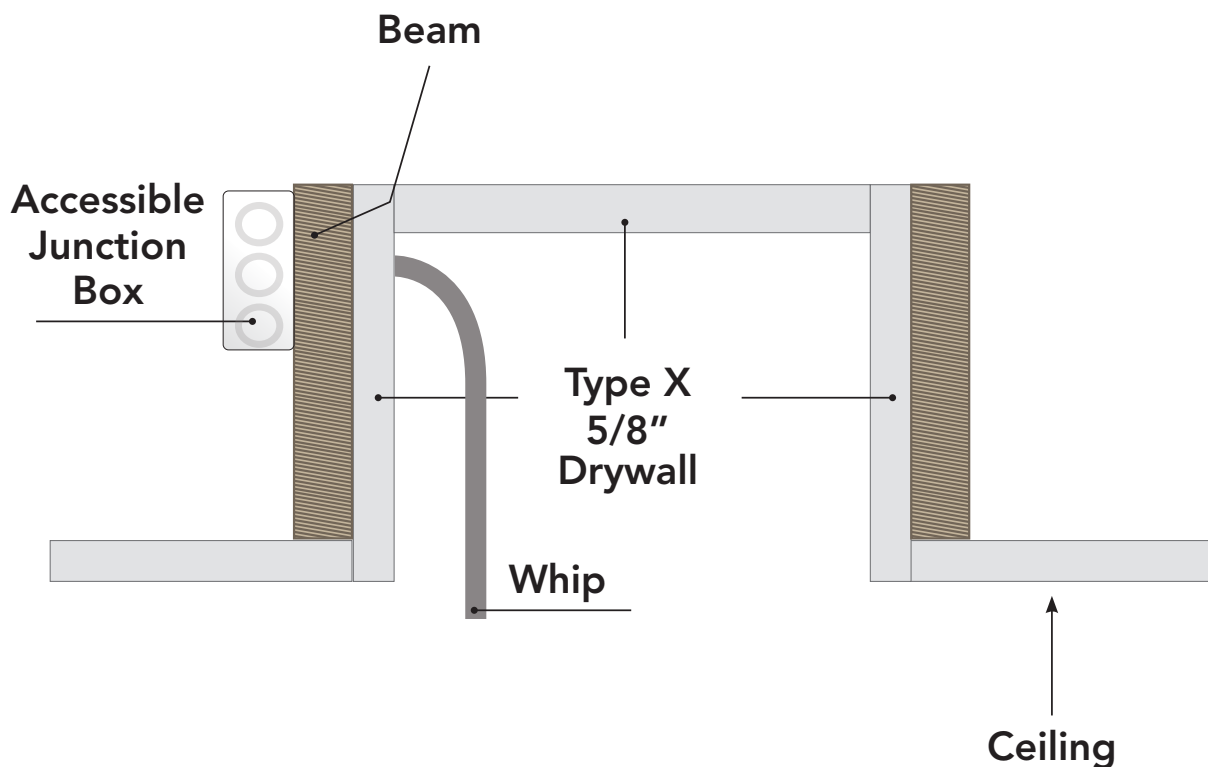


STEP 2: Establishing an electrical connection

After framing the pocket, mount the junction box on the outside of the pocket, running all necessary wires from the power source. In compliance with your local building codes, the junction box can be mounted in a variety of locations.

Included within your flush mount kit is a four-foot (48"), high-temperature whip, inclusive of high temperature wires and wire nuts. This will be used to connect the outside of the junction box to the J-box on the heater.

To connect the two, drill a hole into the upper half of the containment box, run the whip from the outside of the junction box into the pocket. Following this step, you will be ready to set up the final electrical connection. If needed, longer lengths of high temperature whips can be purchased from Eurofase or your distributor.



Please establish electrical connection according to standard safety code.

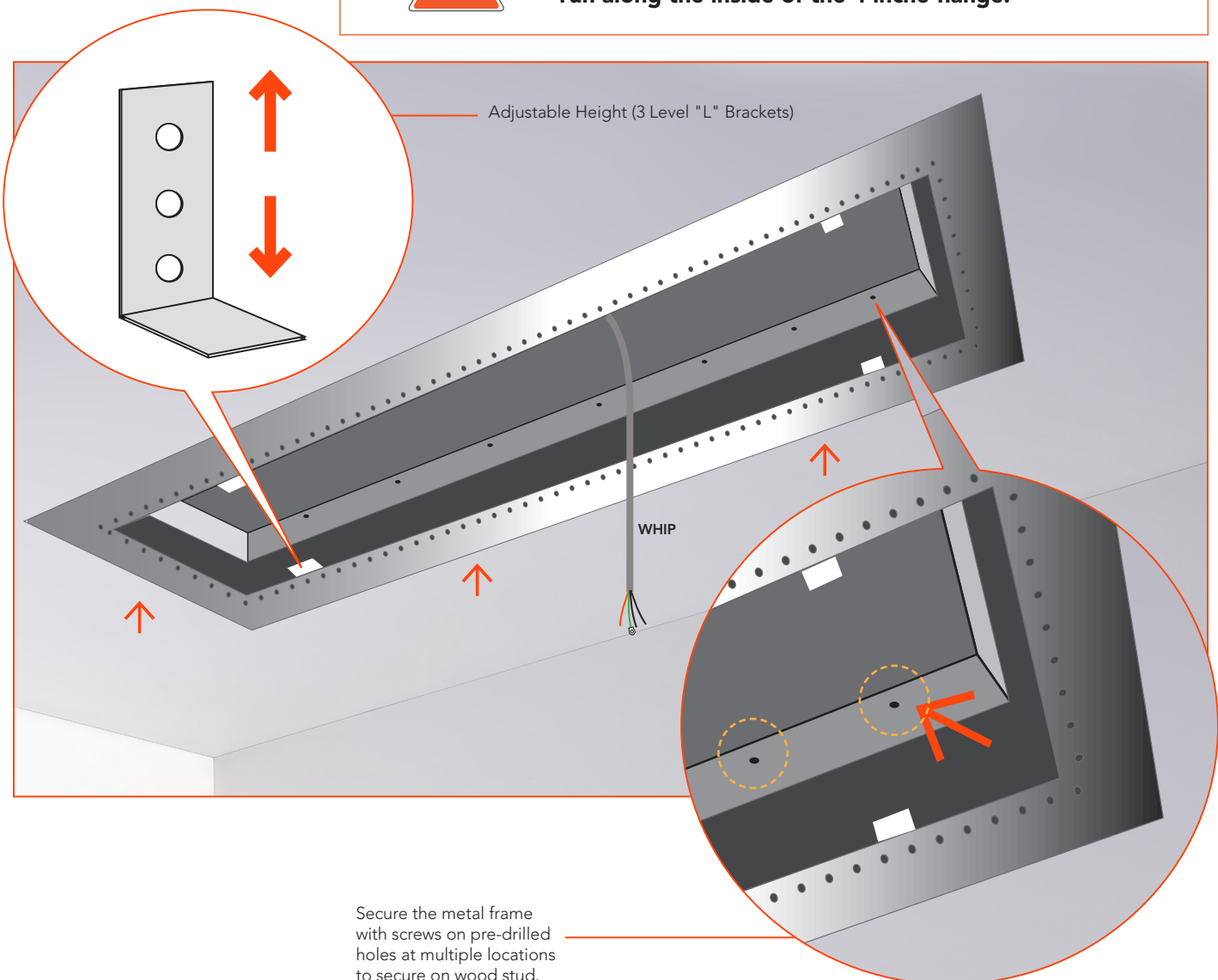
STEP 3: Install the flush mount frame into the drywall pocket

There are two ways the flush mount frame can be installed into the fire-retardant pocket:

- 1) Drill through the internal flanges and secure it to the inside of the pocket with wood screws that are a minimum of 2 ½ inches. This will give the frame the cleanest look if you choose to not cover the frame. It is important to not tighten the screws too tightly as this may buckle the frame.
- 2) Use wood screws to drill through the faceplate, attaching it to the substructure. Once the frame is mounted, you can choose to leave all 4 inches of the trim exposed or cover it with a decorative ceiling, using materials such as drywall, plaster, stucco or tongue-and-groove wood. If you choose to create a decorative ceiling, **leave a ½ inch clearance** between the decorative material and the ventilation holes that run along the inside of the 4-inch flange.



Please leave a 1/2 inch clearance between the decorative material and the ventilation holes that run along the inside of the 4-inch flange.



Installation Instructions

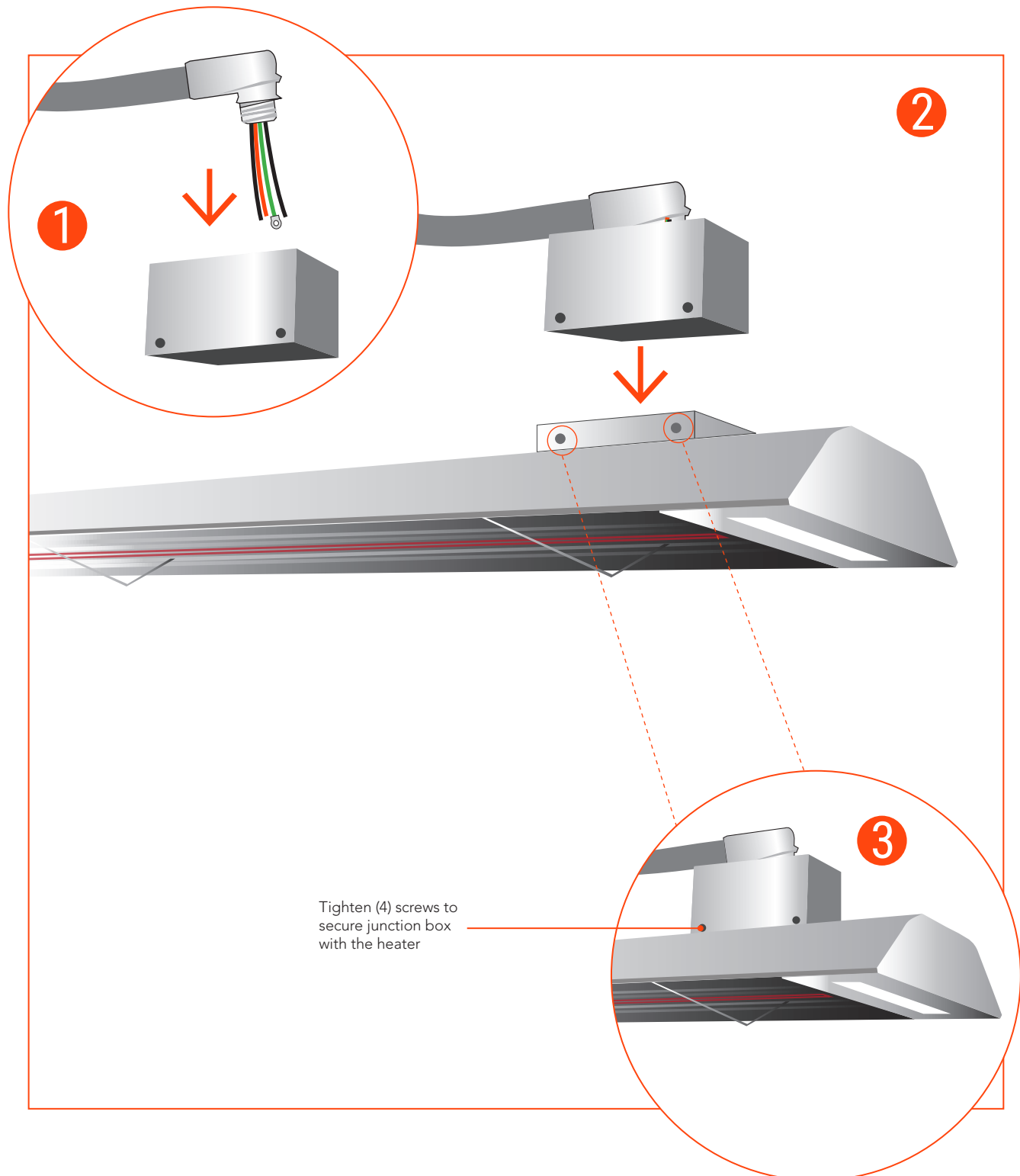
STEP 4: Decorative trim

Decorative trims are suitable with our heaters, please leave a minimum 1/2" clearance to allow heat dissipation through the ventilation holes.



STEP 5: Completing the electrical connection

Reconnect all wires and attach the door plate to cover the wires before installing the heater into the metal frame.

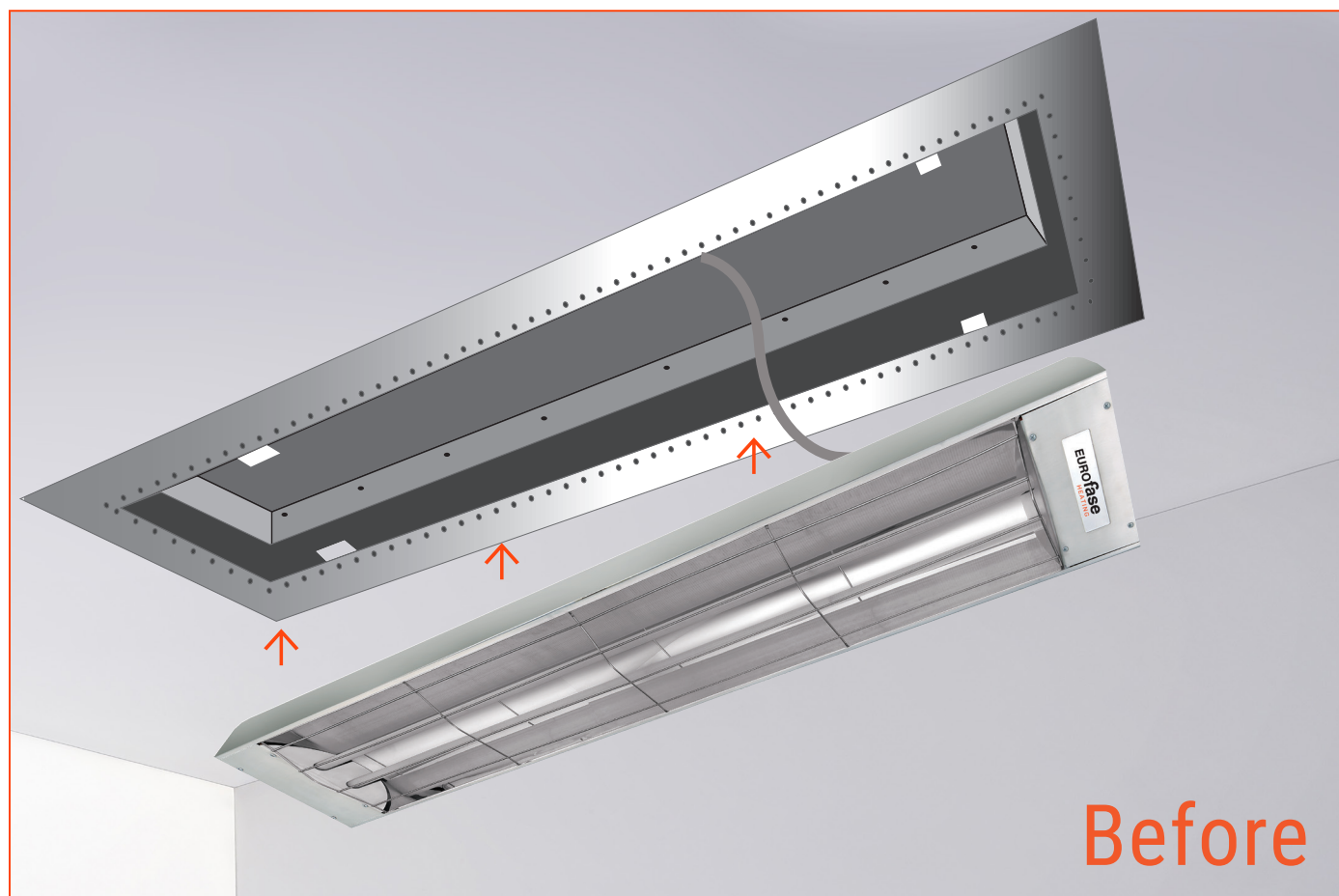


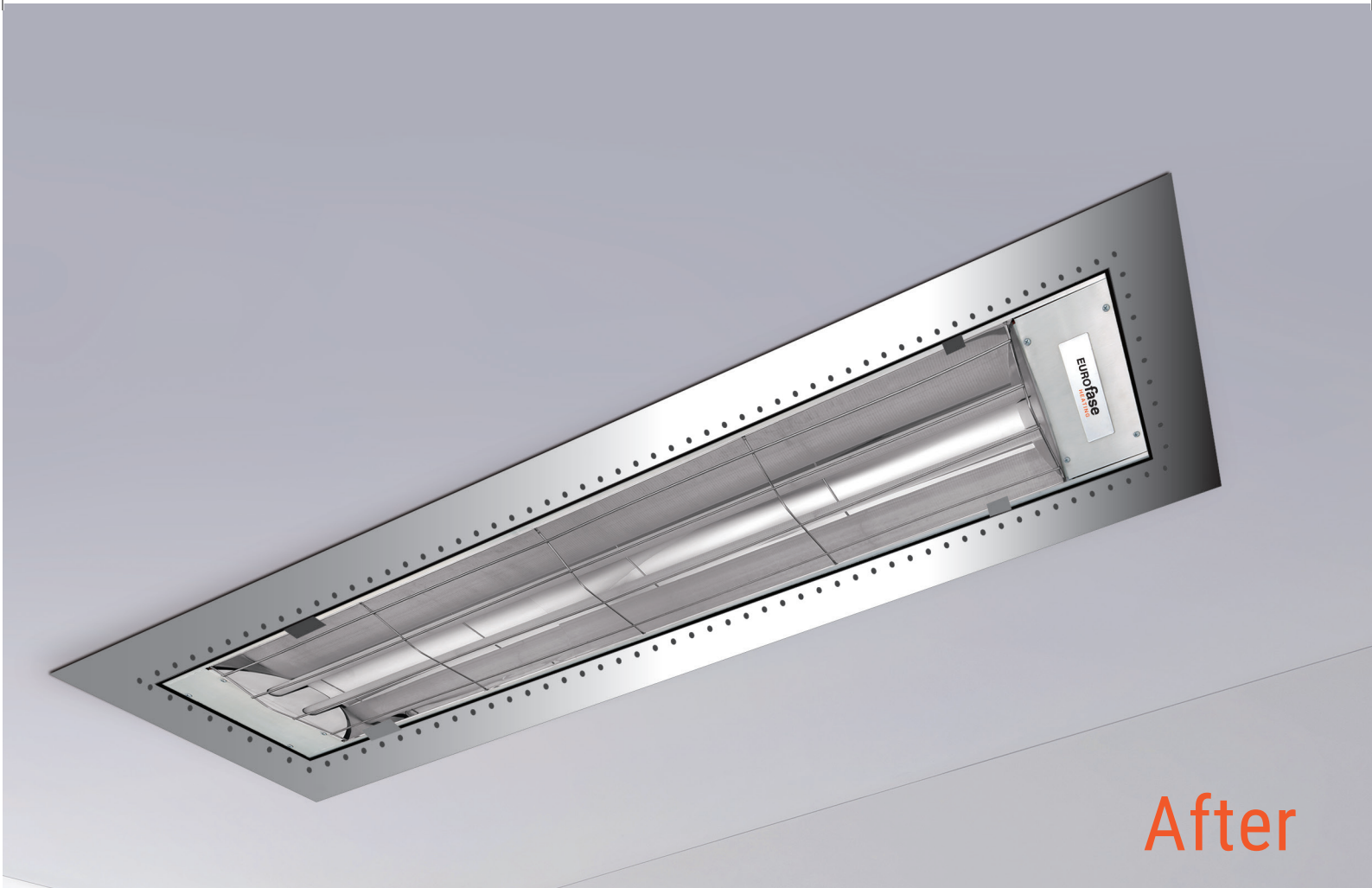
STEP 6: Install heater into the flush mount frame

Prior to the final heater installation, use the L-shaped bracket to adjust the heater's height. The bracket has vertical mobility, allowing the heater to be raised and lowered to match the height with the finished ceiling. Once aligned, make your final electrical connection by attaching the whip from the outside junction box to the heater's J-box, using the supplied high-temperature wire nuts.

As a final step, lift the heater between and above the brackets so that it rests upon them, making any minor adjustments needed.

The installation is now complete, and you are ready to enjoy the comfort of your newly installed heater all year round. If you have any further questions or need additional support, please visit our website at www.EurofaseHeating.com or contact us at info@EurofaseHeating.com.





After



EUROfase

HEATING

info@EurofaseHeating.com
1-800-660-5391

T. 905.695.2055
F. 905.695.2056

33 West Beaver Creek,
Richmond Hill, ON L4B 1L8

