

EUROfase

HEATING

FOR MODELS:
EF40, EF50, EF60

INSTALLATION, INSTRUCTION & SERVICE MANUAL



WARNING

CANCER AND REPRODUCTIVE HARM
www.P65Warning.ca.gov



**PLEASE SAVE THIS
MANUAL FOR FUTURE
REFERENCE.**

READ THIS MANUAL CAREFULLY. SEE INSIDE
COVER FOR IMPORTANT INFORMATION ABOUT
THIS MANUAL. KEEP INSTRUCTION WITH
APPLIANCE FOR FUTURE REFERENCE.

Thank you for choosing Eurofase Heating to meet your heating needs. This manual is designed for our EF40, EF50, and EF60 series of heaters.

In order to ensure your heater provides efficient, safe and comfortable heat, please take the time to review this manual.

Before installing your heater, review the safety information found on page 4, page 5 and page 9. Strict adherence to these guidelines is necessary to prevent personal injury or property damage.

Pages 9 through 16 reviews essential installation and assembly instructions, containing placement and orientation guidelines that are extremely important to a safe and efficient installation.

Please keep this manual in a safe place for future reference and urgent needs.

EUROfase

HEATING

Head Office:

33 West Beaver Creek Road, Richmond Hill, ON L4B 1L8 Canada

Tel: 1.800.660.5391

Email: info@EurofaseHeating.com

EurofaseHeating.com

Note: Eurofase Heating reserves the right to make changes to specifications, parts, components and equipment without prior notification. This Installation, operation and service manual may not be reproduced in any form without prior written consent from Eurofase Heating.



Contents

WARNINGS Page 4

OVERVIEW Page 6

IMPORTANT NOTES Page 7

APPLICABLE CODES & STANDARDS Page 8

TECHNICAL SPECIFICATIONS Page 8

ELECTRICAL INSTALLATIONS Page 9

MOUNTING HEIGHT / CLEARANCES Page 10

CEILING MOUNT Page 11

WALL MOUNT Page 12

FLUSH MOUNT Page 13

INSTALLING QUARTZ ELEMENT Page 14

MAINTENANCE INSTRUCTIONS Page 15

TECHNICAL SERVICE Page 15

REPLACEMENT PARTS Page 16

GENERAL NOTES Page 16

MANUFACTURER WARRANTY Page 17

PLEASE READ ALL INSTRUCTIONS PRIOR TO INSTALLING OR USING HEATER.

This unit may cause a shock or possible ignition if service is attempted without first disconnecting its power source.

Keep electrical cords, drapery, furnishings and other combustible materials at least 3.3ft (1m) from the heater’s front fascia and keep them away from the two sides and rear.

A LICENSED ELECTRICIAN IS REQUIRED TO INSTALL THIS PRODUCT.

GOOD TO KNOW!

For optimal heater performance and longevity, a 15 minute cool down period is recommended after 4 hours of continuous usage.



WALL & CEILING HEIGHT/CLEARANCES



For the Canadian market, Heater must be installed more than 8ft (2.4m) off the floor.



For the American market, Heater must be installed more than 6ft (1.8m) off the floor.

- All adjacent heaters must be installed more than 3.3ft (1m) apart from each other.
- Heaters that are greater than 240V are for Commercial use only and have a higher risk of fire. These should never be used as a residential heater.
- Heater should never be blocked by any other object.
- Heater should not be operated within 25ft (7.6m) of any flammable or explosive materials.
- Heater is not to be used if the heating element is damaged or cracked.
- According to local wiring codes, disconnection provisions should be incorporated in the appliance.
- When possible, install heaters under a protective covering such as a roof when it is used in an outdoor application. This will prolong the product’s life and maintain its appearance.

	WALL-MOUNTED	CEILING-MOUNTED
Min. distance from adjacent wall	18"	18"
Min. distance from ceiling	12"	6"
Min. distance from vertical surface	18"	18"
Min. distance from floor	72" for UL Listed. 96" for CUL Listed	72" for UL Listed. 96" for CUL Listed

PLEASE REFER TO THE FLUSH MOUNT INSTRUCTION MANUAL FOR FLUSH MOUNT APPLICATIONS



WARNING

The heater should only be used as described in this manual. Any use not recommended by the manufacturer may result in fire, electric shock, or personal injury.

Read and understand the installation, operating, and maintenance instructions thoroughly before installing or servicing this equipment. Only trained, qualified personnel with proper electrical experience may install or service this equipment. Improper installation, adjustment, alteration, service, or maintenance can cause property damage, serious injury, or death.

Damage caused by improper use is not the responsibility of the manufacturer. It is important to use this appliance responsibly and to follow all the procedures, warnings, and safety instructions contained in this manual. Any use not recommended by the manufacturer may result in fire, electric shock, or personal injury.

Some parts of this product can become very hot and cause burns. Keep bare skin away from hot surfaces to avoid burns. The front, sides, and rear of the heater should be at least 3.3ft (1m) away from flammable materials such as furniture, pillows, linen, papers, clothes, etc.

Placement of explosive objects, flammable objects, liquids, and vapors close to the heater may result in explosion, fire, property damage, serious injury, or death. Do not store or use explosive objects, liquids, or vapors in the vicinity of the heater.

The outside surfaces of the heater are hot during operation and after operation. If contact is made, permanent skin damage may occur. Do not move, handle, or service the unit during operation or while hot.

In order to avoid overheating, never under any circumstances cover the appliances during operation, as this would lead to dangerous overheating.

Failure to comply with the published clearances to combustibles could result in personal injury, death, and/or property damage.

Particular attention must be given where children and vulnerable people are present. Children should be kept away unless continuously supervised.

If the power cable has been damaged, it must be replaced by the manufacturer or the technical service center or by a qualified person so as to avoid all risks.

Do not attempt to alter the unit in any manner, including painting the surface of the unit.

Do not insert any foreign objects to the front cover or front opening of the heater as this may cause an electric shock or fire or damage the heater.

Do not operate any heater after it malfunctions. Disconnect power at service panel and have heater inspected by a reputable electrician before reusing.

INSTALLATIONS:

Installations must comply with local building codes; all electrical connection must be in compliance with the National Electric Code (NEC) and local codes for outdoor wiring. Contact the local building inspector and/or fire marshal for guidance.

The packaging needs to be removed before installation, please contact supplier if there is any damage or defectiveness on the appliance.

Heater and switches should not be installed near bathtubs, wash basins, showers, sinks, swimming pools, recreational vehicles, boats, and wardrobes.

The appliance must not be located in front of or below a fixed socket-outlet.

Before using the appliance check the label on the heater for proper voltage, please make sure the requirement of the power socket and power supply line correspond to the load specified. Check the current capacity of your fuses. **HEATER MUST CONNECT TO EARTH PROVIDED SOCKET.**

Safety warning labels must be maintained on the heater. Contact either your local distributor or the product manufacturer for obtaining replacement signs or labels.

Never place the power cable on top of the heater or under any coverings. Power cord need to be placed away from the traffic areas.

The heater can only mount horizontally to prevent from swaying and putting stress on the heating elements. Check local codes for seismic bracing requirements for outdoor heating equipment.

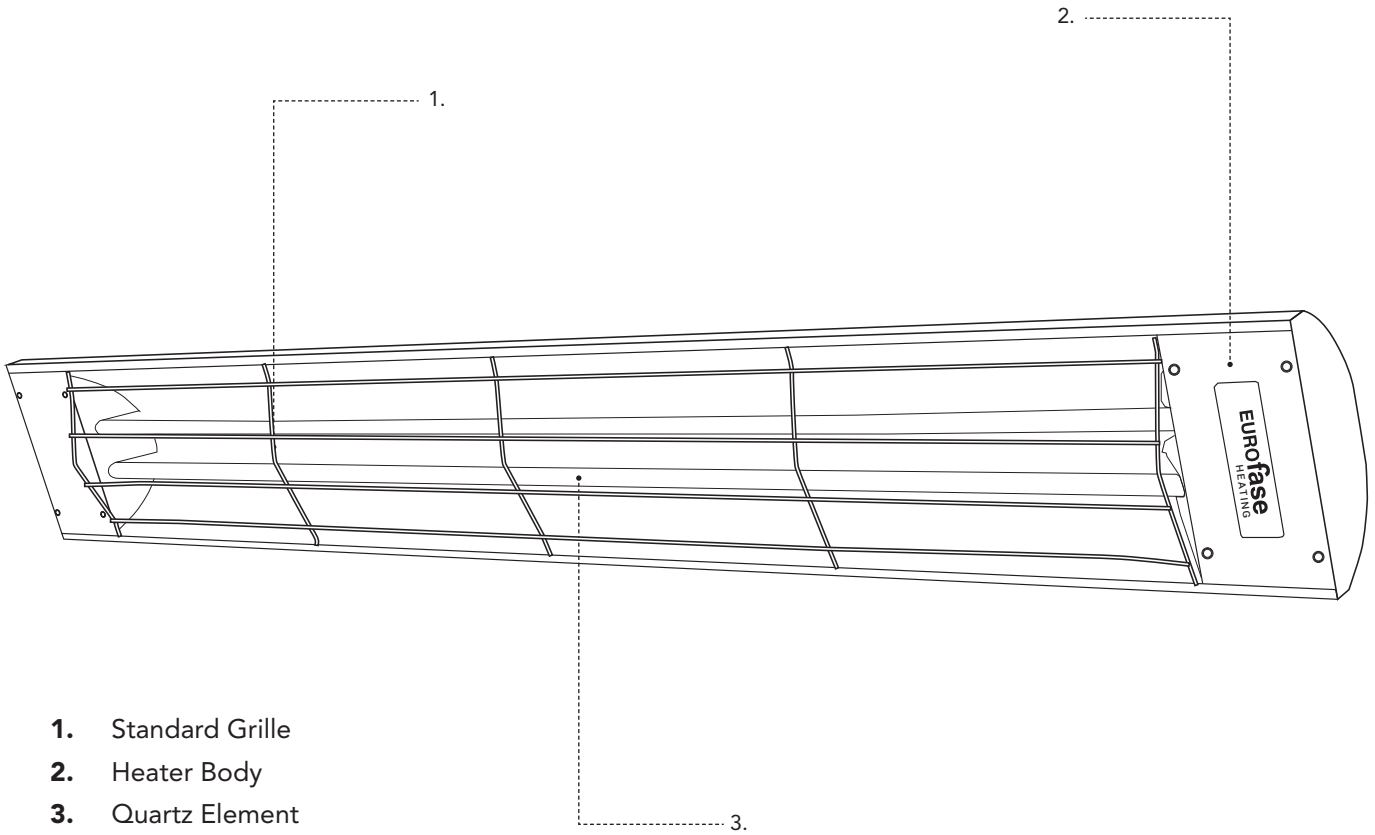
Air flow must not be restricted. The space above the heater must not be enclosed in order to allow air for ventilation.



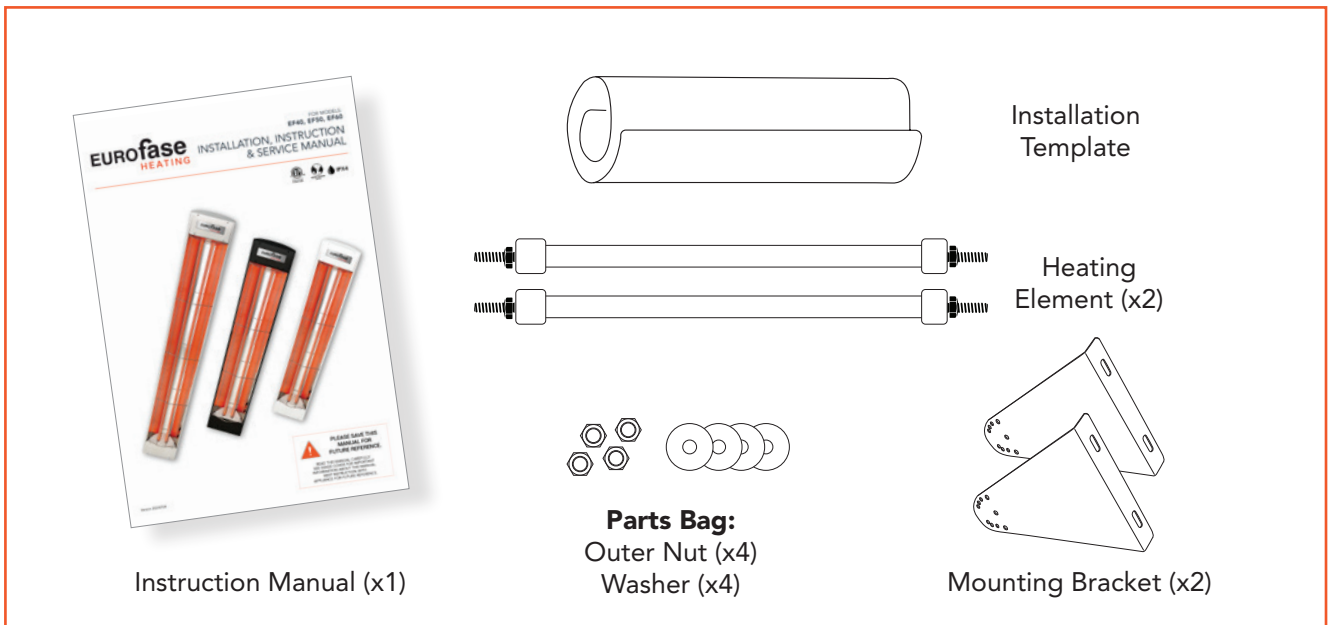
CAUTION – High temperature, risk of fire, keep electrical cords, drapery, furnishings, and other combustibles at least 3.3 feet (1m) from the front of the heater and away from the side and rear.

Each enclosed area within which the heater is located shall have a temperature control device.

The heater does not feature a device to control ambient temperature. All users should be made aware of all aspects of operation and safety and these instructions should be retained for reference.



What's in the box? Please inspect that all parts are included in the package.



The contents of this document and the specifications of this product are subject to change without notice.

Eurofase Heating reserves the right to make changes to the specifications and materials contained herein without notice.

Please contact our customer service department or visit our website at EurofaseHeating.com for the latest instruction manual.

Applicable Codes and Standards

Installation of this heater shall be in accordance with local codes, or in the absence of local codes, the National Electrical Code, NFPA 70, or the Canadian Electrical Code, Part 1, C22.1.

Eurofase Heating Heaters are designed and manufactured for residential / commercial heating applications for indoor and outdoor use, in accordance with the Standard for Fixed and Location-Dedicated Electric Room Heaters, UL 2021, and the Canadian Standard for Electric Air Heaters, CSA C22.2 No. 46.

Technical Specifications

MODEL #	RATED OUTPUT WATTAGE*	SUPPLY VOLTAGE	SUPPLY AMP DRAW	DIMENSIONS	WEIGHT
EF40208	4000W	208V	19.2A**	8.17" x 39.37" x 9.35" (20.75 x 99.9 x 23.75cm)	14 lbs (6.36Kg)
EF40240	4000W	240V	16.6A	8.17" x 39.37" x 9.35" (20.75 x 99.9 x 23.75cm)	14 lbs (6.36Kg)
EF40277	4000W	277V	14.4A	8.17" x 39.37" x 9.35" (20.75 x 99.9 x 23.75cm)	14 lbs (6.36 Kg)
EF40480	4000W	480V	8.33A**	8.17" x 39.37" x 9.35" (20.75 x 99.9 x 23.75cm)	14 lbs (6.36 Kg)
EF50208	5000W	208V	24.0A**	8.17" x 39.37" x 9.35" (20.75 x 99.9 x 23.75cm)	14 lbs (6.36 Kg)
EF50240	5000W	240V	20.8A	8.17" x 39.37" x 9.35" (20.75 x 99.9 x 23.75cm)	14 lbs (6.36 Kg)
EF50277	5000W	277V	18.0A	8.17" x 39.37" x 9.35" (20.75 x 99.9 x 23.75cm)	14 lbs (6.36 Kg)
EF50480	5000W	480V	10.4A**	8.17" x 39.37" x 9.35" (20.75 x 99.9 x 23.75cm)	14 lbs (6.36 Kg)
EF60208	6000W	208V	28.8A**	8.17" x 61.26" x 9.35" (20.75 x 156.60 x 23.75cm)	21 lbs (9.54 Kg)
EF60240	6000W	240V	25A	8.17" x 61.26" x 9.35" (20.75 x 156.60 x 23.75cm)	21 lbs (9.54 Kg)
EF60277	6000W	277V	21.6A	8.17" x 61.26" x 9.35" (20.75 x 156.60 x 23.75cm)	21 lbs (9.54 Kg)
EF60480	6000W	480V	12.5A**	8.17" x 61.26" x 9.35" (20.75 x 156.60 x 23.75cm)	21 lbs (9.54 Kg)

* Actual output wattage ranging 90% to 105% of the rated output wattage

** Load calculation may change on a 3-phase system feed.

Turn the heater on only when you need heat and avoid any misuse.



Do not use the heater if the ambient temperature exceeds 80°F (26.6°C). Before connecting the appliance make sure that the voltage is the same as indicated on the device and the line supply is corresponding to the relevant electrical code.

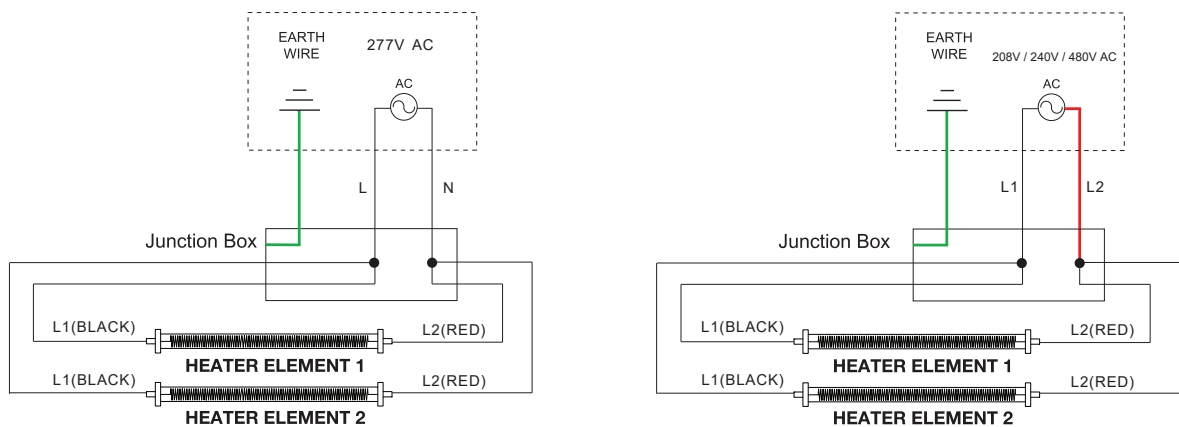
This heater **MUST** be permanently installed and hard wired by an authorized/licensed person. Do not perform maintenance, or carry out installation or assembly procedure while electrical power is switched on.



ELECTRIC SHOCK HAZARD!

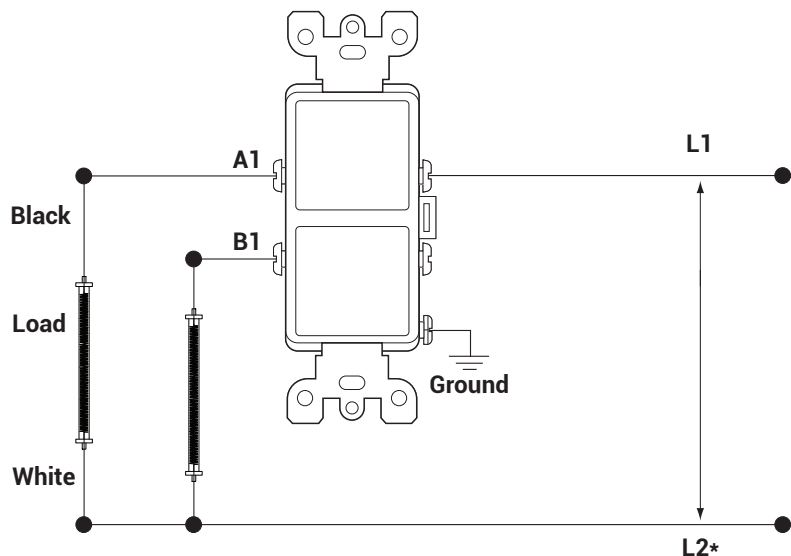
Serious injury or death may occur. Disconnect from electrical supply before installing or servicing this heater. Read and follow installation clearance requirements outlined in this manual. The Appliance **MUST** be connected to a properly grounded electrical source.

WIRING DIAGRAM EF40, EF50 AND EF60 MODELS



WIRING DIAGRAM USING Eurofase Heating DUPLEX SWITCH MODELS EFSWPS AND EFSWPW (sold separately)

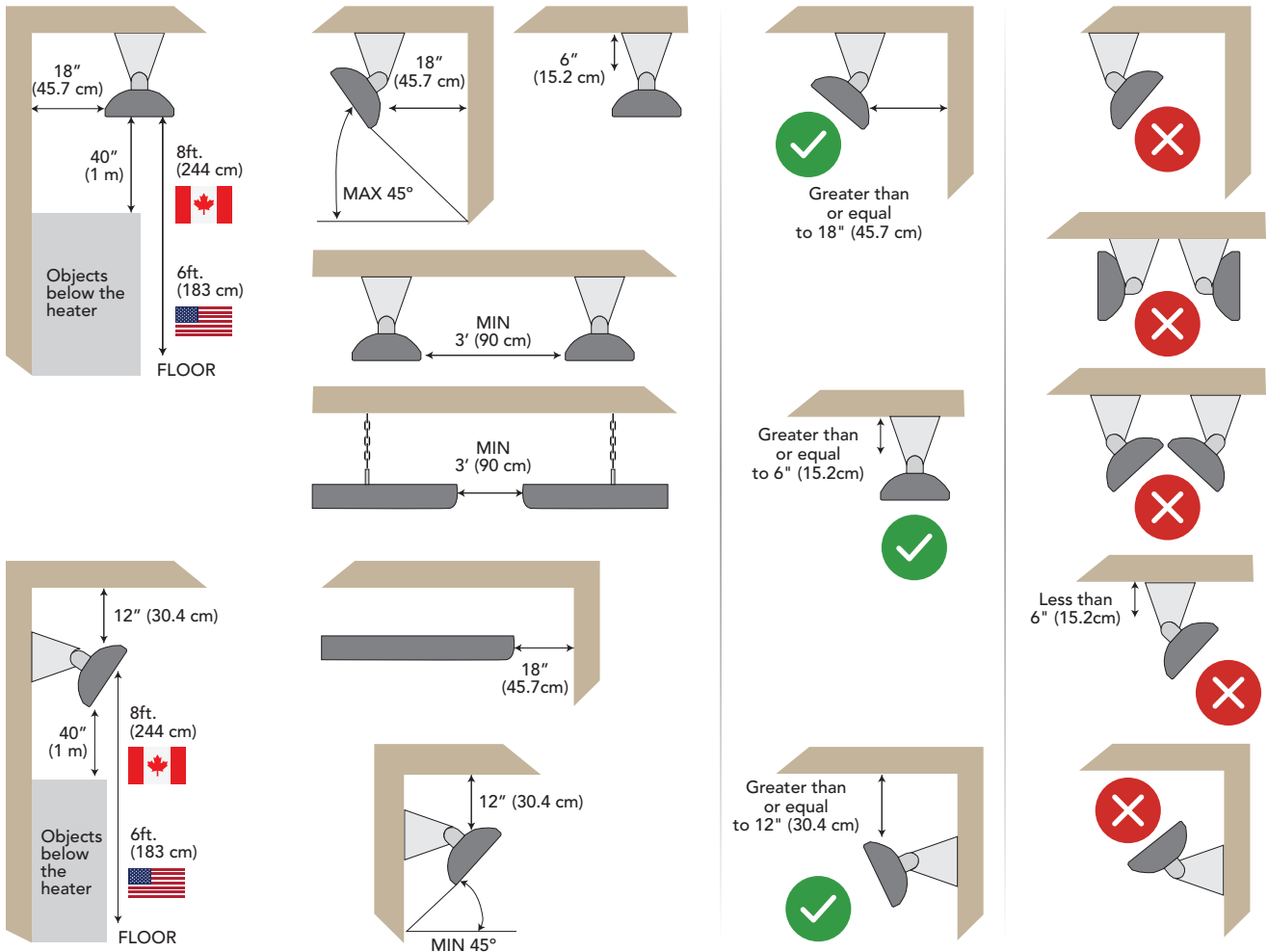
This wiring diagram is for reference only. Please refer to the complete installation/ wiring diagram that come with the Eurofase switch for correct installation. Please contact us for technical support/ obtain the latest installation and wiring guide.



* Replace L2 with Neutral for 277 VAC Application

Mounting Height / Clearances

1. The minimum installation height from the floor to the heater shall be:
6ft (183 cm) American Standard, 8ft (244 cm) Canadian Standard
2. The minimum clearances from the ceiling, walls and other objects are shown in the pictures below.
4. Building materials with low heat tolerance (i.e. plastics, vinyl siding, canvas, tri-ply, etc.) may be subject to degradation at lower temperatures. It is the installer's responsibility to ensure that adjacent materials are protected from deterioration.

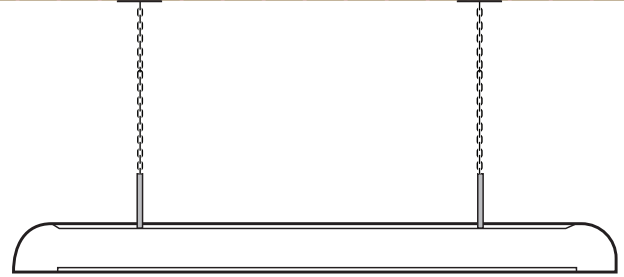
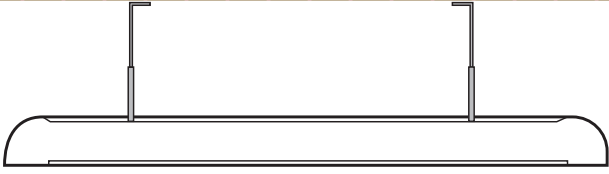


Some parts of this product can become very hot and cause burns. Particular attention has to be given where children and vulnerable people are present.

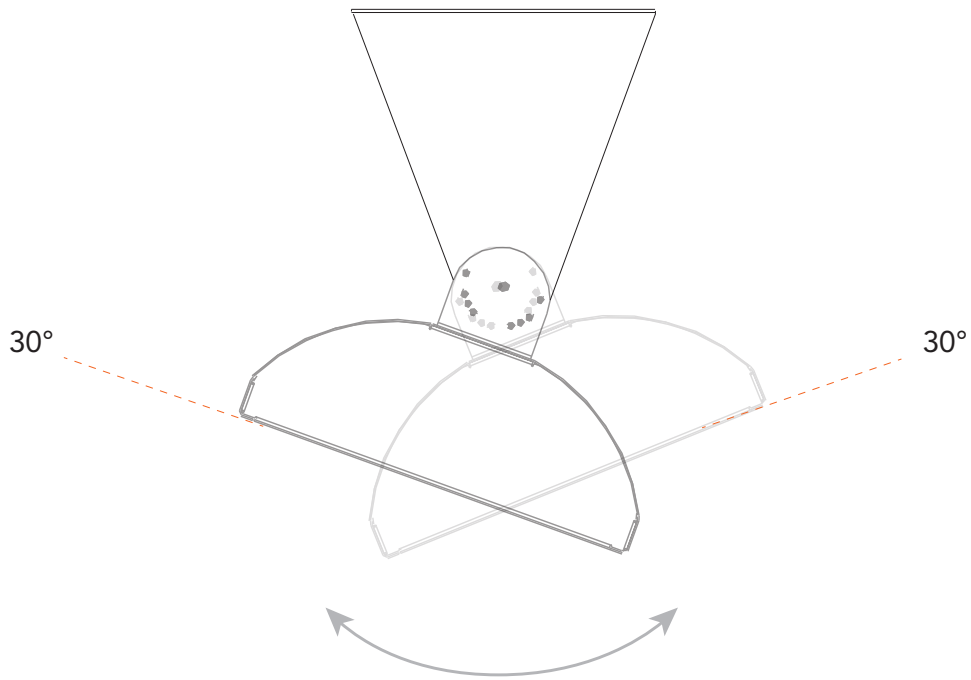


Once the product is powered, it automatically goes into ON mode. It will take a few minutes after powering on to reach the maximum temperature.

CEILING MOUNT APPLICATION



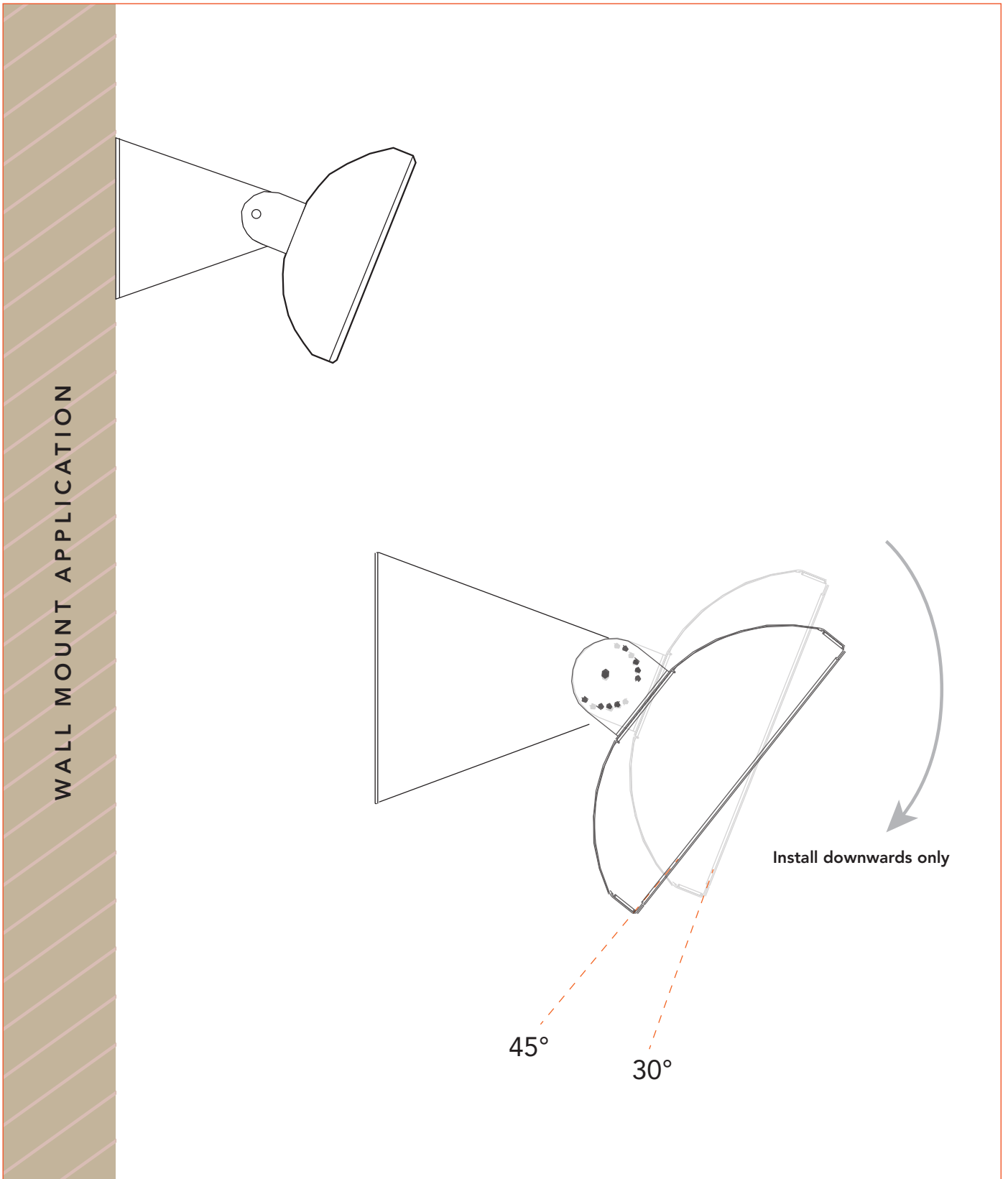
Optional Chain Mounted (not included)



Rotatable on both ends.

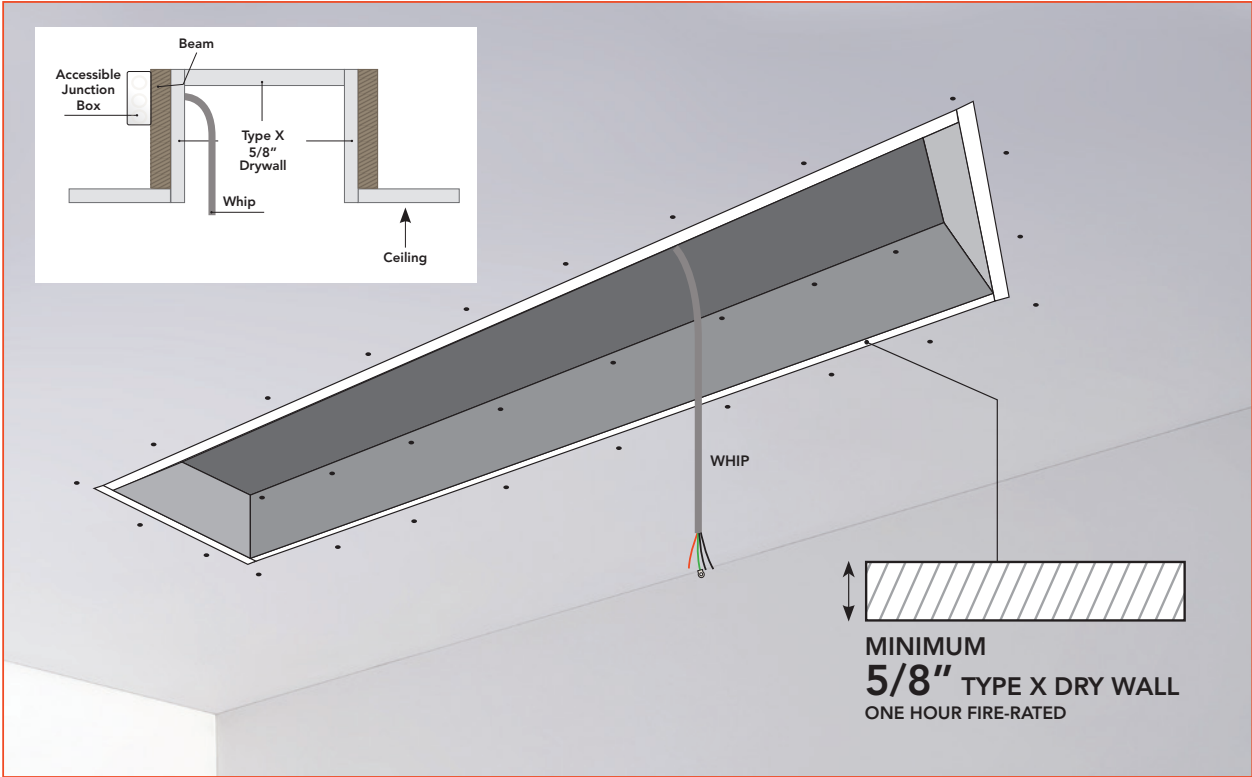


Make sure heater is leveled equally during installation to achieve equal heat distribution. Improper leveling can cause shorter lifespan of the Quartz Element.

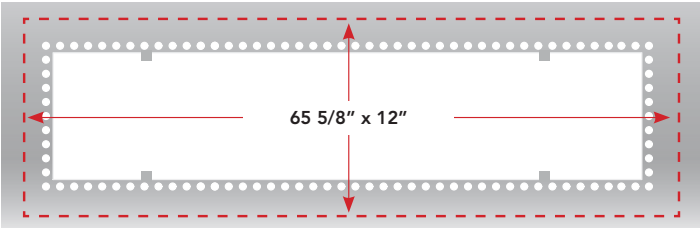


2 x 8 STUDS MINIMUM

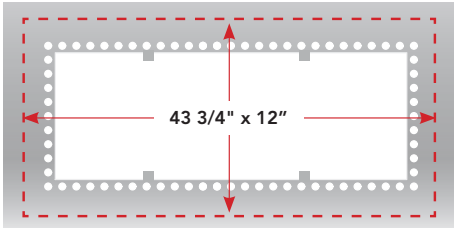
FLUSH MOUNT APPLICATION



EF61FMPFS - 61" FLUSH MOUNT FRAME*



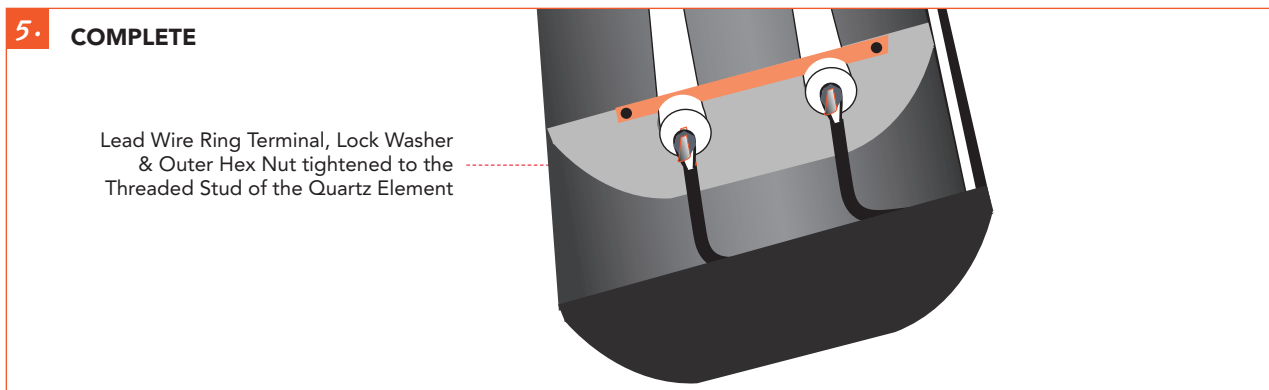
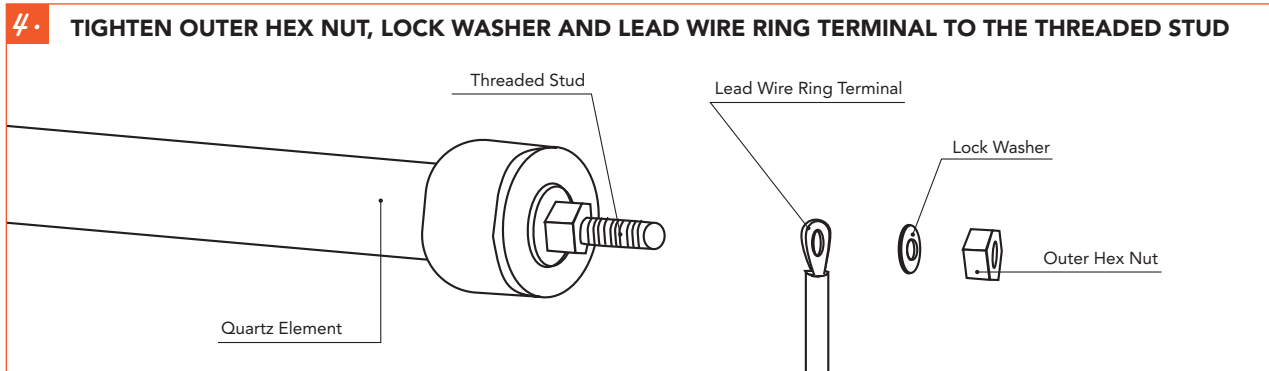
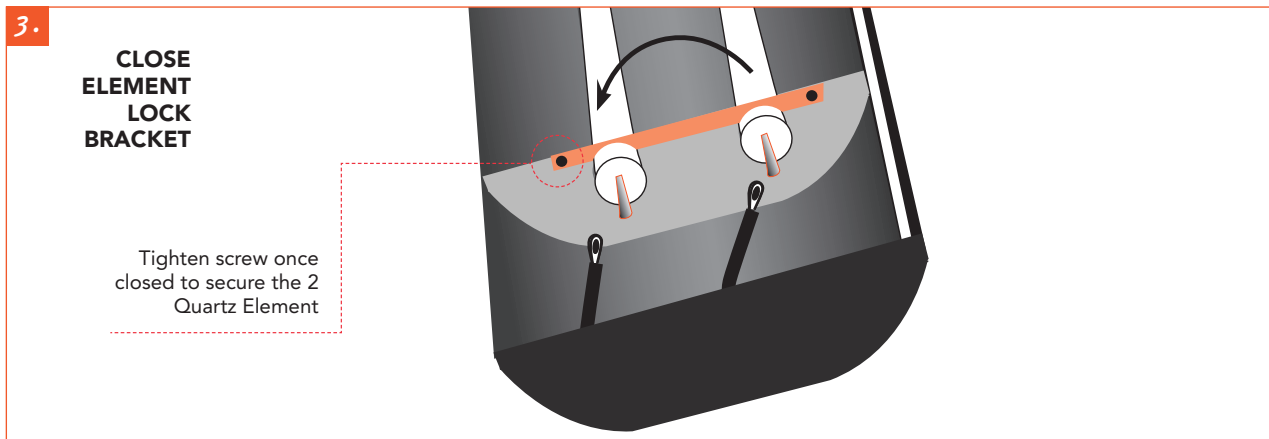
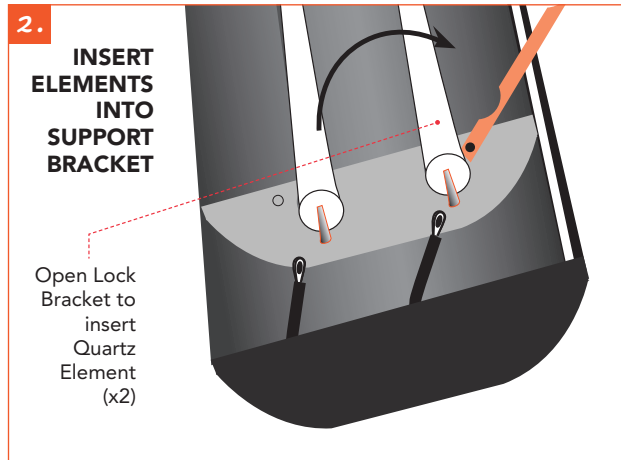
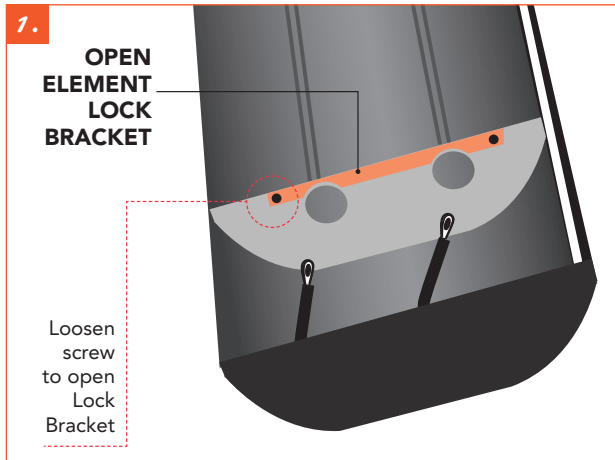
EF39FMPFS - 39" FLUSH MOUNT FRAME*



Please reference Flush Mount Instruction Manual for Flush Mount applications.

* SOLD SEPARATELY

Installing Quartz Element



Do not handle the Quartz Heating Element with bare hands. If it is inadvertently touched, remove finger marks with a soft cloth and methylated spirit or rubbing alcohol. Otherwise, the marks will burn into the quartz emitter during use causing premature heater failure.



Before cleaning, make sure the power has been turned off at the circuit breaker panel and that the heating element of the heater is cool. Never immerse the appliance in water or any other liquid. Cleaning and maintenance must be performed by the user and not by unsupervised children.

1. It is important that these heating units are regularly cleaned to ensure long and efficient operating life.
2. To clean, use a soft damp cloth and then dry thoroughly.
3. Make sure all parts are dry before powering the heater.
4. These heating units should be cleaned and inspected every three months.
5. Avoid the use of harsh detergents, solvents, and abrasive or aerosol cleaners as they may damage surfaces.
6. When cleaning the heater, always inspect the back of the heater for build-up of insects, bird droppings, dust, salt build-up, etc. and clean back thoroughly.

Technical Service



Always disconnect the appliance before doing any maintenance operation.

1. If the heater is removed from mounting brackets, it should be stored in an undercover dry location.
2. Always inspect the heater after high winds, earthquake, vandalism or any other unusual event that may have affected the heater. Ensure all parts are dry before powering the heater.
3. Any maintenance service, excluding cleaning, must be carried out by an authorized manufacturer representative.
4. If you have any question about your appliance, call the local authorized distributor.

Replacement Parts

Item #	Description	Volts	Watts	Length (in)	Fits
EF20208E	208V 2000W Quartz Element	208	2000	39	EF40, EF50
EF20240E	240V 2000W Quartz Element	240	2000	39	EF40, EF50
EF20277E	277V 2000W Quartz Element	277	2000	39	EF40, EF50
EF20480E	480V 2000W Quartz Element	480	2000	39	EF40, EF50
EF25208E	208V 2500W Quartz Element	208	2500	39	EF40, EF50
EF25240E	240V 2500W Quartz Element	240	2500	39	EF40, EF50
EF25277E	277V 2500W Quartz Element	277	2500	39	EF40, EF50
EF25480E	480V 2500W Quartz Element	480	2500	39	EF40, EF50
EF30208E	208V 3000W Quartz Element	208	3000	61	EF60
EF30240E	240V 3000W Quartz Element	240	3000	61	EF60
EF30277E	277V 3000W Quartz Element	277	3000	61	EF60
EF30480E	480V 3000W Quartz Element	480	3000	61	EF60

Please check the markings on the element for proper wattage and voltage



Need help? To order replacement elements for your Eurofase Heating Heating System, please contact us via phone or visit our website.

Item #	Description	Qty	Fits
EFDEEF2	Dual Element End Reflector	2	EF40, EF50, EF60
EF39BOD	Body Reflector – 39"	1	EF40, EF50
EF61BOD	Body Reflector – 61"	1	EF60
EF39LWR	Lead Wire Set – 39"	1	EF40, EF50
EF61LWR	Lead Wire Set – 61"	1	EF60
EFMBSS2	Mounting Bracket, Stainless Steel	2	EF40, EF50, EF60
EFMBBL2	Mounting Bracket, Black	2	EF40, EF50, EF60
EFMBWH2	Mounting Bracket, White	2	EF40, EF50, EF60
EF39GGRD	Grill Guard, 39", Stainless Steel	1	EF40, EF50
EF61GGRD	Grill Guard, 61", Stainless Steel	1	EF60

General Notes

- Eurofase Heating Heaters are furnished with wall/ceiling mount swivel brackets. If the heater is hung with chains, special bracketing, or installing with a frame, these brackets can be discarded.
- For pricing and a full list of models with descriptions and voltages, please see product brochures.
- Wiring our Duplex/Stack Switches with our Dual Element Heaters gives users the ability to operate each element independently, providing half power and full power capabilities.
- For optimal comfort, it is best to heat from two sides rather than from just one. However, this may not be practical in some cases.
- Coverage areas vary in size, depending on personal comfort level and weather conditions.
- The performance of heaters in extreme cold/windy environments may be reduced.

Our heater is designed to provide you and your family with great outdoor experiences for years to come. To register, please fill in the Model and Serial number as well as the date of purchase in the areas below. For future reference, please save this information. Your electric heater's owner's manual should be carefully read before use. Please make sure that all family members are aware of the proper way to operate the heater and how to prevent serious injury.

Eurofase Heating warrants that this electric heater is designed and manufactured to be free from defects in materials and workmanship for a period of three years from the original date of purchase.

THREE YEAR LIMITED WARRANTY

THIS WARRANTY IS APPLICABLE TO THE ORIGINAL OWNER ONLY in accordance with the warranty terms and conditions specified below.

Eurofase Heating (warrantor) will furnish the original owner replacement parts for any component part which fails before three years of use from date of original purchase. At our option, Eurofase Heating may offer to rebuild or replace the heater within the limited warranty period. Installation, use and maintenance must be in accordance with instructions contained in the Installation Instructions.

THE WARRANTY DOES NOT COVER:

- Service and labor costs incurred for diagnosing, removing or reinstallation of the heater(s) or parts(s) thereof.
- Shipping and delivery charges.
- Damage or repairs due to faulty installation, misapplication, negligence, thermal shock, earthquake, flood, fire, and purposeful damage to the heater.
- Failure to operate due to electrical service issues including voltage conditions, blown fuses or circuit breakers.
- Damage due to the inadequacy or interruption of electrical service.
- Normal product wear (oxidation, scratches, heating element replacement, etc.)

GENERAL CONDITIONS PERTAINING TO WARRANTY

The warranty shall be null and void if the heater is not installed by a licensed heating contractor and/or licensed electrician or if the heater is not installed according to the Installation Instructions, normal industry practices and/or if the heater is not maintained and repaired according to the instructions.

Written permission is required for the return of any parts or equipment and any such return must be made on the basis of transportation charges prepaid. Shipment may be refused unless prior written permission is obtained and good returned prepaid.

LIMITATION ON IMPLIED WARRANTIES

Implied warranties, including any warranty of merchantability imposed on the sale of this heater under provincial or State law are limited to three year duration. Some states do not allow limitations on how long an implied warranty lasts.

CLAIMS PROCEDURE

Any claim under this warranty should be initiated with the dealer who sold the heater, or with any dealer handling the warrantor's products. If this is not practical, the owner of the heater should contact Eurofase Heating toll free at 1-800-660-5390 (hours of operation 8-5 MF) or via email info@EurofaseHeating.com.



EUROFASE HEATING WARRANTY REGISTRATION

Customer Name: _____

Address: _____

City: _____ State/Province: _____ Zip/Postal Code: _____

Country: _____ Phone: _____ Email: _____

Model #: _____ Serial No. #: _____

Dealer's Name: _____ Date Purchased: _____

Dealer's Address: _____

This Warranty Registration Card must be returned within 30 days of purchase to properly activate your warranty.
This information is for our internal use only.



33 West Beaver Creek Road, Richmond Hill, ON L4B 1L8 Canada
Tel: 1.800.660.5391 | Email: info@EurofaseHeating.com | EurofaseHeating.com

NEED MORE INFORMATION?

If you have further questions please contact us at:

- info@EurofaseHeating.com

- 1-800-660-5391

EUROfase

HEATING

EurofaseHeating.com

Postage
Here

33 West Beaver Creek Road,
Richmond Hill, ON
L4B 1L8
Canada

EUROfase

HEATING

info@EurofaseHeating.com

1-800-660-5391

T. 905.695.2055

F. 905.695.2056

33 West Beaver Creek,

Richmond Hill, ON L4B 1L8

