

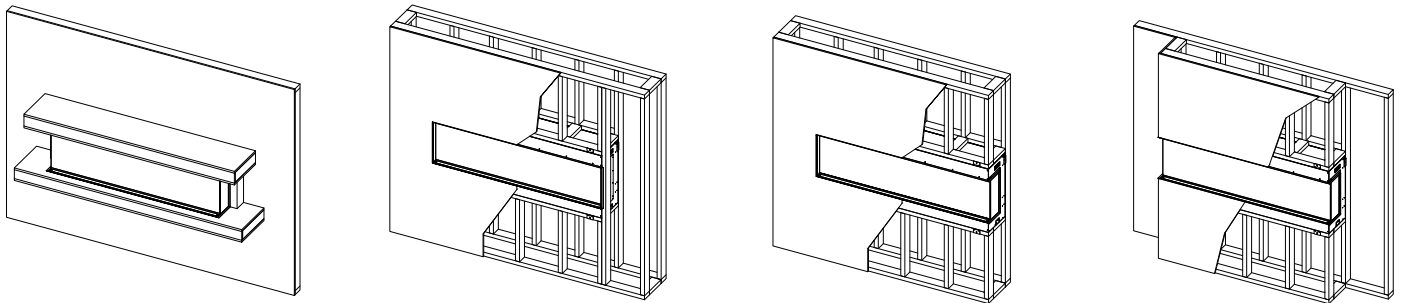
Osseo E-Series

Wall Recessed or Wall Mounted Electric Linear Fireplace

Model #OSO-e50

Model #OSO-e64

Model #OSO-e80



WARNING

Read and understand the entire installation and operation manual, including all safety information, before plugging in or using this product. Failure to do so may result in fire, electric shock, or serious personal injury.

This fireplace meets the construction and safety standards of H.U.D. for application in manufactured homes when installed according to these instructions.

English installation manuals are available through your local dealer or website. Visit our website www.kozyheat.com.

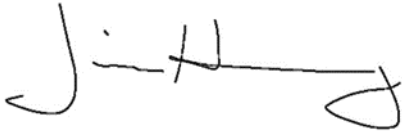
INSTALLER: Leave this manual with the appliance.

CONSUMER: Retain this manual for future reference.

CONGRATULATIONS!

We welcome you as a new owner of a Kozy Heat electric fireplace. Kozy Heat products are designed with superior components and materials, and assembled by trained craftsmen who take pride in their work. Our commitment to quality and customer satisfaction has remained the same for over 40 years. We offer a complete line of gas, wood, and electric fireplaces, along with stylish accessories to complement any decor. Adding a fireplace is one of the best ways to increase the value of your home, and we are proud to offer a network of dealers throughout the country to help make your experience everything you imagine. We pride ourselves in being dedicated not only to functionality and reliability, but also customer safety. We offer our continual support and guidance to help you achieve the maximum benefit and enjoyment from your Kozy Heat electric fireplace.

Jim Hussong
President



Dudley Hussong
Board Chairman



Read this manual before installing or operating this appliance
Please retain this owner's manual for future reference.

Homeowner Reference Information

Model Name: _____

Serial Number: _____

Dealership purchased from: _____

Dealership phone number: _____

Notes: _____

We recommend you record the following Information:

Date Purchased / Installed: _____

Location of fireplace: _____

TABLE OF CONTENTS

HOMEOWNER REFERENCE INFORMATION	3
TABLE OF CONTENTS	5
IMPORTANT INSTRUCTIONS	7
1.0 Introduction	8
1.1 Appliance Certification	8
1.2 California Proposition 65 Warning	8
1.3 Electrical Specifications	8
1.4 Appliance Preparation	8
1.5 Parts and Hardware	8
1.6 Appliance Dimensions	9
2.0 Assembly and Installation	10
2.1 Installation Planning	10
2.2 Selecting Your Installation Method	10
2.3 Appliance Preparation for Installation.....	11
2.4 Clearance to Combustibles	12
2.5 Framed Appliance Opening	13
2.6 Nailing Flange Installation	16
2.7 1-Piece Rectangle Surround Installation and Removal.....	17
2.8 4-Piece Finishing Trim Installation.....	20
2.9 Power Cord Outer Shell Termination	21
2.10 Electrical Outlet Location	22
3.0 Facing and Finishing	23
3.1 Mantel Requirements.....	23
3.2 Finishing Material Information	24
3.3 Wall Mount Installation	26
3.4 Floating Mantel Kit	28
4.0 Appliance Set Up	33
4.1 Glass Front Removal and Installation	33
4.2 Media Installation.....	33
4.3 Log Set Installation	34
5.0 Operating Instructions	40
5.1 Methods of Operation	40
5.2 Pairing the Remote to the Appliance	40
5.3 Appliance Control Panel Operation	41
5.4 Remote Control Operation	42
6.0 Maintenance.....	45
6.1 Cleaning the Appliance	45
6.2 Battery Replacement	45
7.0 Replacement Parts List.....	46
Limited Lifetime Warranty	48

Important Instructions

When using electrical appliances, basic precautions should always be followed to reduce the risk of fire, electric shock, and injury to persons, including the following:

1. Read all instructions before installing or using the heater.
2. This heater is hot when in use. To avoid burns, do not let bare skin touch hot surfaces. Keep combustible materials, such as furniture, pillows, bedding, papers, clothes, etc. and curtains at least 36" (914mm) from the front of the heater.
3. Extreme caution is necessary when any heater used by or near children or invalids and whenever the heater is left operating and unattended.
4. Do not operate any heater after it malfunctions. Disconnect power at service panel and have heater inspected by an authorized Kozy Heat dealer before reusing.
5. Do not use outdoors.
6. To disconnect the heater, turn the controls to OFF, and turn off the power to the heater circuit at the main disconnect panel.
7. Do not insert or allow foreign objects to enter any ventilation or exhaust opening, as this may cause an electric shock, fire, or damage to the heater.
8. To prevent a possible fire, do not block air intakes or exhaust in any manner not approved by the manufacturer.
9. A heater has hot and arcing or sparking parts inside. Do not use in areas where gasoline, paint, flammable vapors, or liquids are used or stored.
10. Use this heater only as described in this manual. Any other use not recommended by Hussong Mfg. Co., Inc. may cause fire, electric shock, or injury to persons.
11. ALWAYS plug the heater directly into a wall outlet/receptacle with the power cord. NEVER use with an extension cord or relocation power tap (outlet/power strip). Optional electrical hardwire kit.
12. AVOID FIRE! Inspect all air vents to make sure they are free from dust, lint, or other blockage before use. Unplug the appliance and clean with a vacuum ONLY. DO NOT rinse or allow the appliance to become wet.
13. This heater is not intended to be a primary heat source. It is for supplemental heat only.
14. ALWAYS disconnect this heater from the power supply before performing any assembly and cleaning.
15. NEVER plug this heater into an outlet that is old, cracked, or has any loose wires or connections. Plugging this heater into a faulty outlet could result in electric arcing within the outlet that could cause the outlet to overheat or catch fire.
16. Verify the plug fits tight in the outlet. Faulty wall outlet connections or loose plugs can cause the wall outlet to overheat.
17. This heater draws more current than other small heaters. Overheating may occur even if it has not occurred with the use of other heaters.

1.0 Introduction

1.1 Appliance Certification

Laboratory: Intertek Testing Services

Standards:

CSA C22.2 No 46-13 Ed.9 Electric Air-Heaters (R2018)

UL 2021:2015 (4th Edition + R:02 Fed. 2021) Fixed and Location-Dedicated Electric Room Heaters

1.2 California Proposition 65 Warning



WARNING: Cancer and Reproductive Harm - www.P65Warnings.ca.gov.

1.3 Electrical Specifications

This appliance is rated at 120VAC, 60Hz, 1500W.

Install on a dedicated 15 Amp (or higher) breaker.

The power cord supplied with the appliance has three prongs: two flat blades (live and neutral) and one round pin (ground). If a 3-slot receptacle is not available, and adapter (not included) MUST be used.

The green grounding lug extending from the adapter must be connected to a permanent ground such as a properly grounded outlet box. The adapter should not be used if a three-slot grounded receptacle is available.

If you are installing this appliance in a recessed installation application the provided electrical hardwire kit must be used.

The provided electrical hardwire kit cannot be used with the optional floating mantel kit.

1.4 Appliance Preparation

WARNING: This product includes glass components. Always use extreme caution when handling glass. Failure to do so could result in personal injury or property damage.

Remove all parts and hardware from the carton and place them on a clean, soft, dry surface. Check the parts list to verify all components are there. Dispose of packaging materials properly. Please recycle whenever possible.

You will need the following tools (not included):

- Phillips screwdriver
- Stud finder
- Level
- Tape measure
- Electric drill
- 1/4" wood drill bit

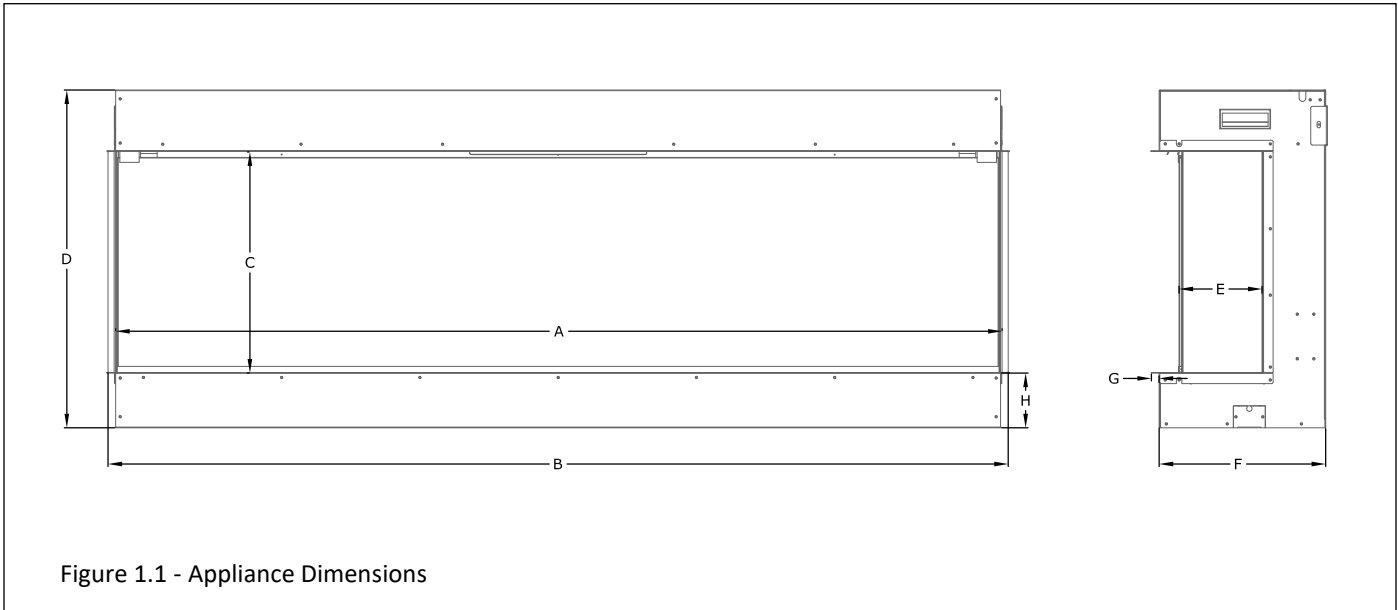
1.5 Parts and Hardware

IMPORTANT: Keep any plastic packaging and small parts away from young children as they can pose a danger.

Package Contents:

- Electric Fireplace (QTY 1)
- Instruction Manual (QTY 1)
- Remote Control and Battery (QTY 1)
- Wall Mounting Bracket (QTY 1)
- Smoked Crushed Glass - Boxed (QTY 1)
- Glass Suction Clamp (QTY 1)
- Mounting Screw Packet (QTY 1)

1.6 Appliance Dimensions



Fireplace Models	A	B	C	D	E	F	G	H
OS-e50	49-1/4" (1250mm)	50-1/2" (1282mm)	15-7/8" (402mm)	24" (611mm)	5-5/8" (143mm)	11-7/8" (301mm)	1/2" (14mm)	3-7/8" (99mm)
OS-e64	63" (1600mm)	64- 1/4" (1632mm)	15-7/8" (402mm)	24" (611mm)	5-5/8" (143mm)	11-7/8" (301mm)	1/2" (14mm)	3-7/8" (99mm)
OS-e80	78-3/4" (2000mm)	80" (2032mm)	15-7/8" (402mm)	24" (611mm)	5-5/8" (143mm)	11-7/8" (301mm)	1/2" (14mm)	3-7/8" (99mm)

2.0 Assembly and Installation

2.1 Installation Planning

NOTE: Follow all national and local building and electrical codes.

- To reduce the risk of fire, do not store or use gasoline or other flammable vapors and liquids in the vicinity of the heater.
- If using the power cord supplied, plan a location for the power cord to connect to an electrical box accordingly.
- Select a suitable location that is not susceptible to moisture and is away from drapes and furniture.
- Depending on your type of installation the location of where the power cord exits the appliance may need to be changed. Refer to "Section 2.9 Electrical Outlet Location" for more information.
- If you are installing this fireplace in a recessed installation then you must use the provided electrical hard-wire kit.

2.2 Selecting Your Installation Options

This appliance can be installed in several different options. This appliance can be:

Wall Mounted

- Using the supplied hanging bracket the appliance can be hung on a wall.

Recessed installation - Single Sided

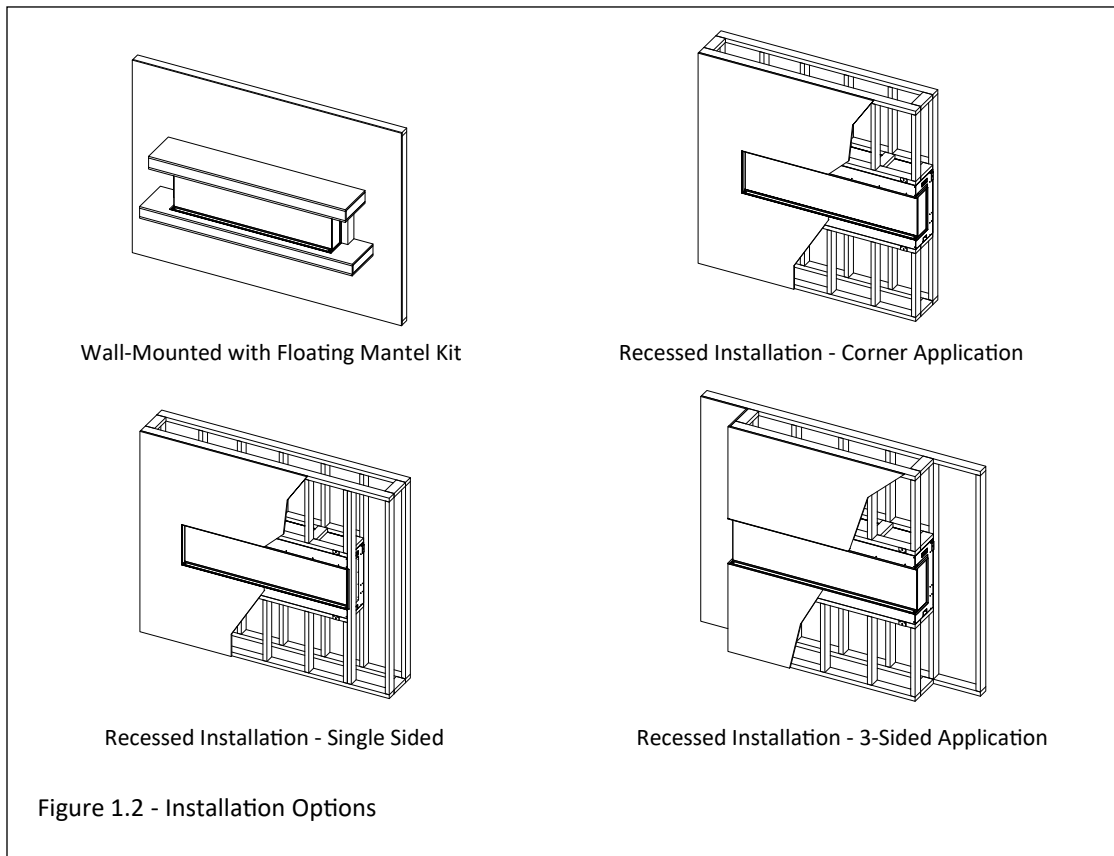
- In this installation you keep both block off plates installed on the fireplace. These block off plates cover the side glass viewing areas.

Recessed Installation - Corner Application (Left or Right Sided)

- In this installation you remove the block off plate of the side glass viewing area that you want visible.

Recessed Installation - 3-Sided (Bay) Application

- In this installation you remove both block off plates of the side glass viewing area. You have the front and both side viewing areas visible now.



2.3 Appliance Preparation for Installation

2.3.1 Standard Installation

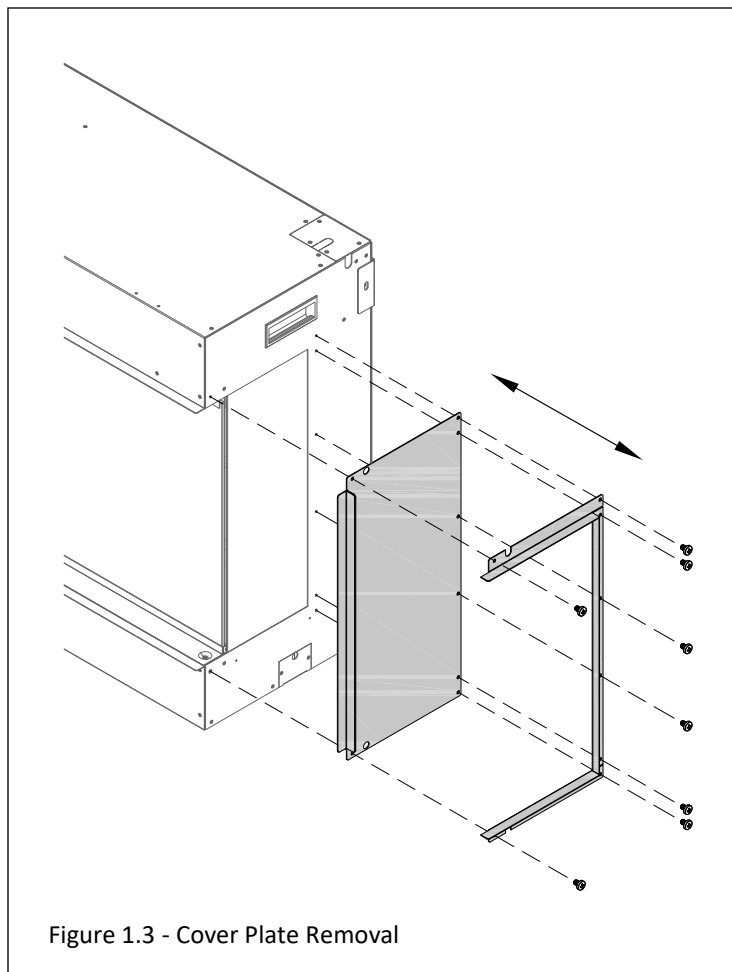
1. Remove the screws that secure the cover plate on the side of the appliance. These screws secure the cover plate and the finishing trim.
2. Remove and discard the finishing trim. Reinstall the cover plate and screws. Complete on both sides of appliance. This allows your framing to be flush with the body of the appliance so finishing material butts up against the 1/2" finishing edge.

2.3.2 Corner Installation

1. Remove the screws that secure the cover plate of the side of the appliance in which you want the side glass to be exposed. Discard the cover plate. Reinstall the the finishing trim. This trim is where your finishing material will butt up against.
2. On the side of the appliance that will not be an exposed corner remove the same screws that secure the cover plate and finishing trim. Discard the finishing trim on this side. Reinstall the screws to secure the cover plate.

2.3.3 3-Sided (Bay) Installation

1. Remove the screws securing the cover plate on one side of the appliance which will expose the side glass.
2. Discard the cover plate. These screws also secured the previously unused finishing trim. This finishing trim is in a shape of a "C" and you will reinstall this trim with the previously removed screws. This trim is where your finishing material will butt up against.
3. Repeat for the other side of the appliance. You will now have all 3 sides of the appliance viewing glass exposed.



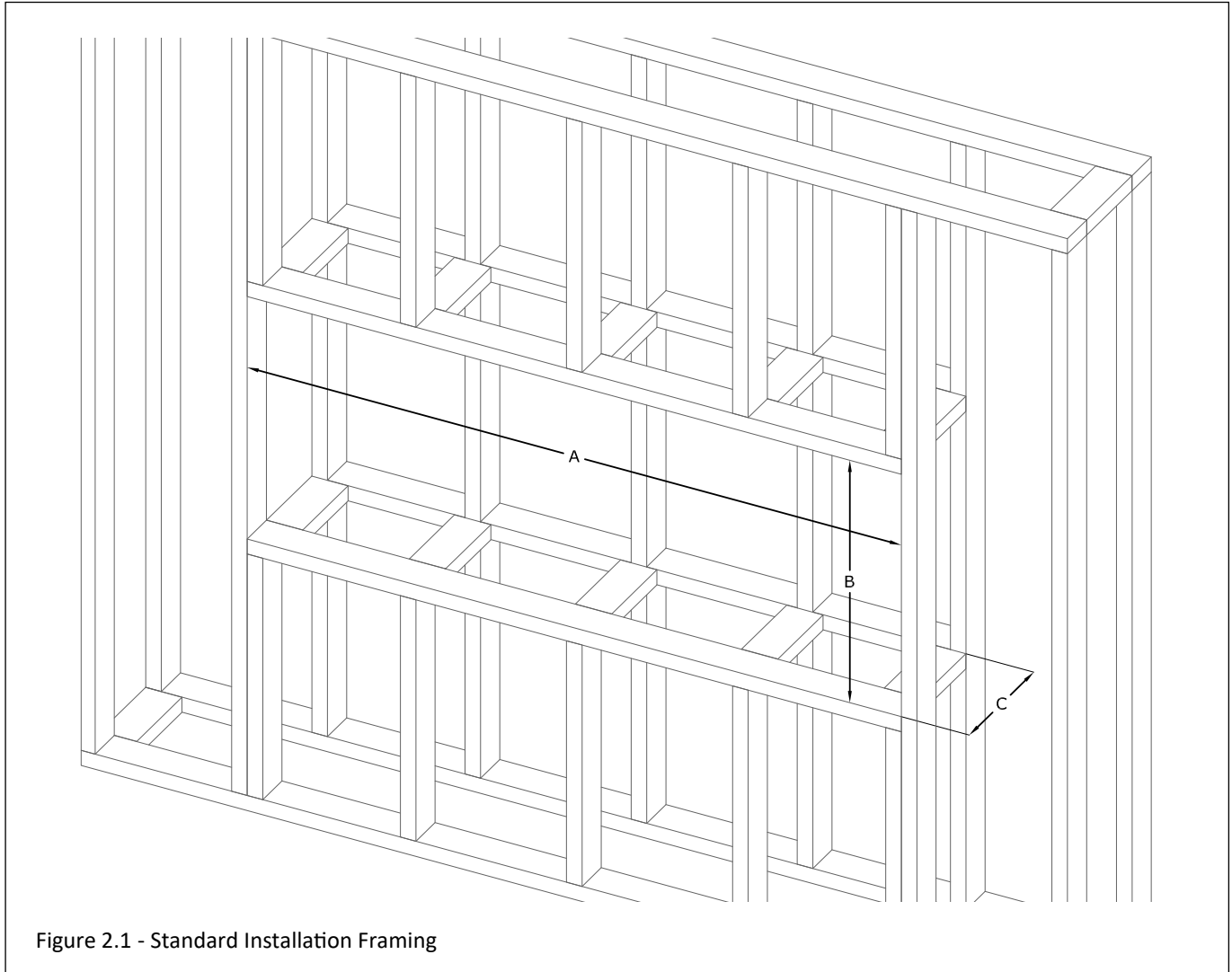
2.4 Clearance to Combustibles

Table 2.1, Minimum Clearances to Combustibles	
Bottom of appliance	0" (0 mm)
Left and right sides of appliance	0" (0 mm)
Back of appliance	0" (0 mm)
Top of appliance	0" (0 mm)
Top finishing edge to 12" (305mm) mantel	0" (0 mm)
Bottom finishing edge to unlimited hearth	0" (0 mm)
Combustible Material in Front of Glass Viewing Area	36" (914mm)

2.5 Framed Appliance Opening

Select a location not prone to moisture and is located at least 36" (914mm) away from the front of the appliance to combustible materials such as curtains, drapes, furniture, bedding, paper, etc.

1. Create a rough opening specific to your type of installation (Single Sided Installation, Corner Installation, 3-Sided Pier Installation) See Figure 2.1 thru Figure 2.3 for the dimensions.



	Standard Installation - Framed Opening Dimensions		
	A	B	C
OS-e50	49-3/4" (1264mm)	24-1/2" (622mm)	12-1/4" (311mm)
OS-e64	63-1/2" (1613mm)	24-1/2" (622mm)	12-1/4" (311mm)
OS-e80	79-1/4" (2013mm)	24-1/2" (622mm)	12-1/4" (311mm)

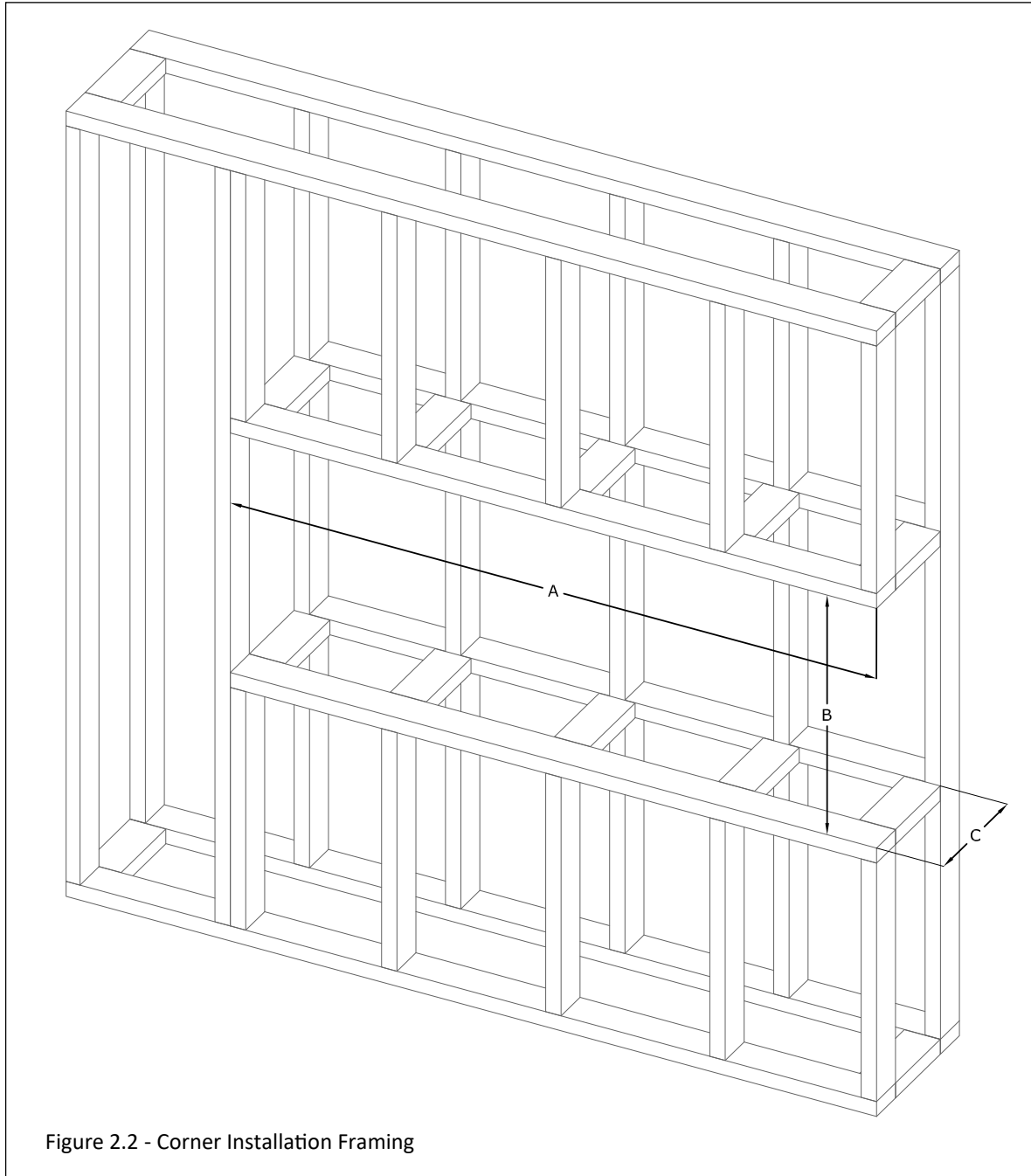
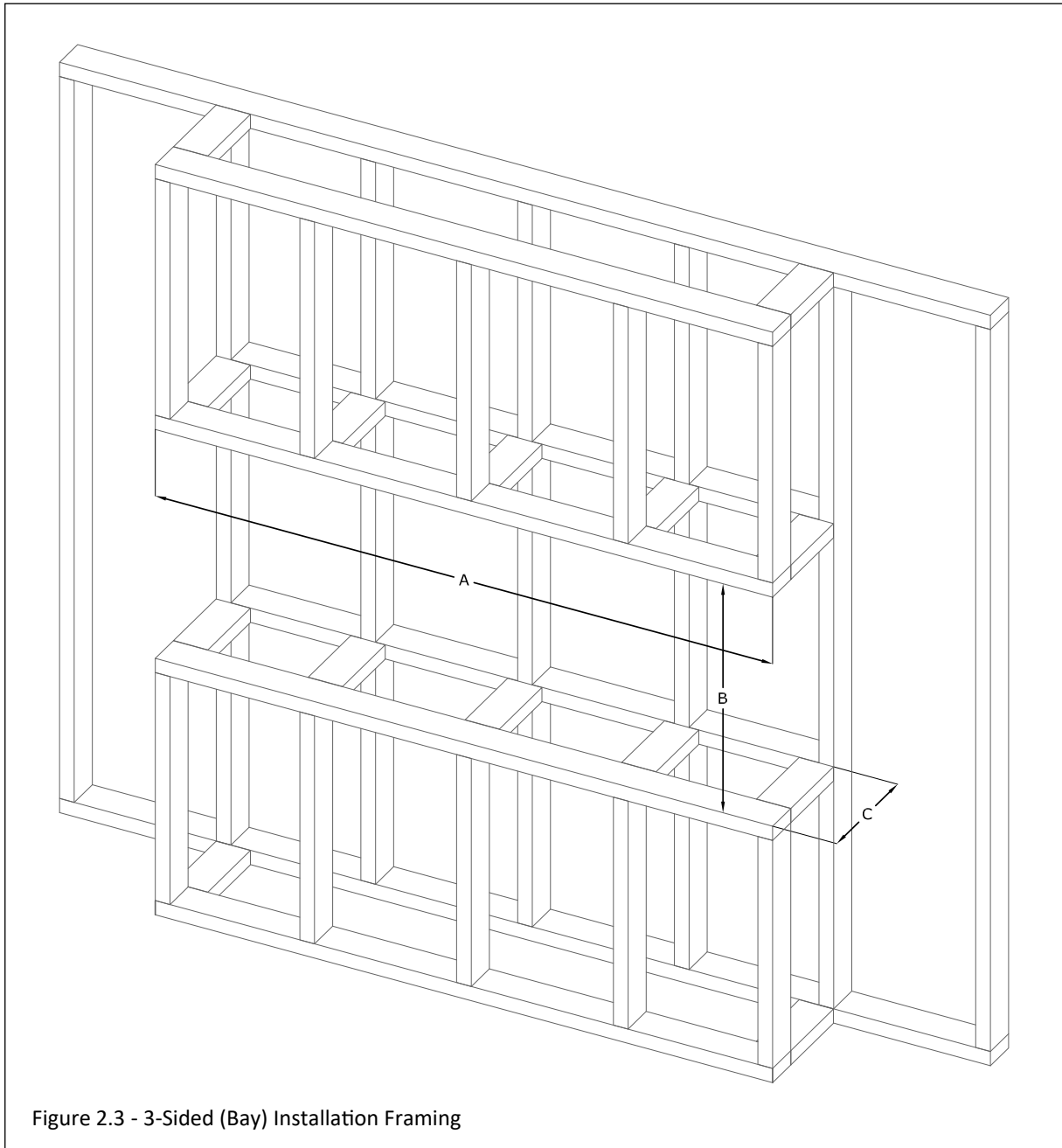


Figure 2.2 - Corner Installation Framing

Fireplace Models	Corner Installation - Framed Opening Dimensions		
	A	B	C
OS-e50	49-3/4" (1264mm)	24-1/2" (622mm)	12-1/4" (311mm)
OS-e64	63-1/2" (1613mm)	24-1/2" (622mm)	12-1/4" (311mm)
OS-e80	79-1/4" (2013mm)	24-1/2" (622mm)	12-1/4" (311mm)

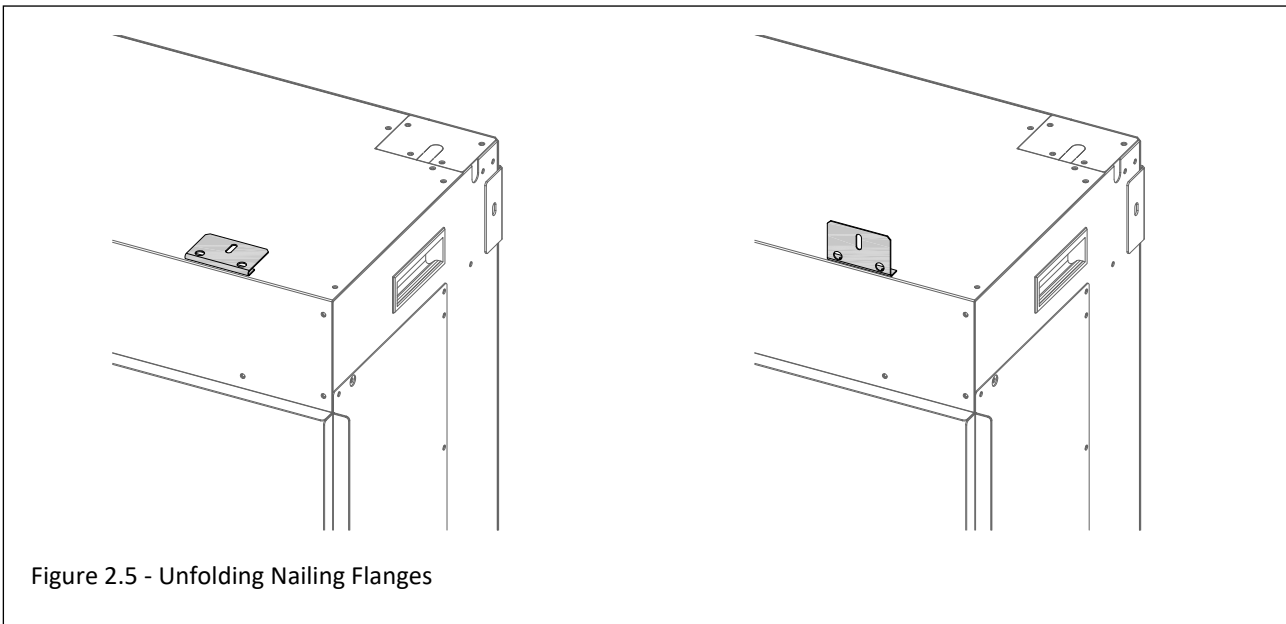
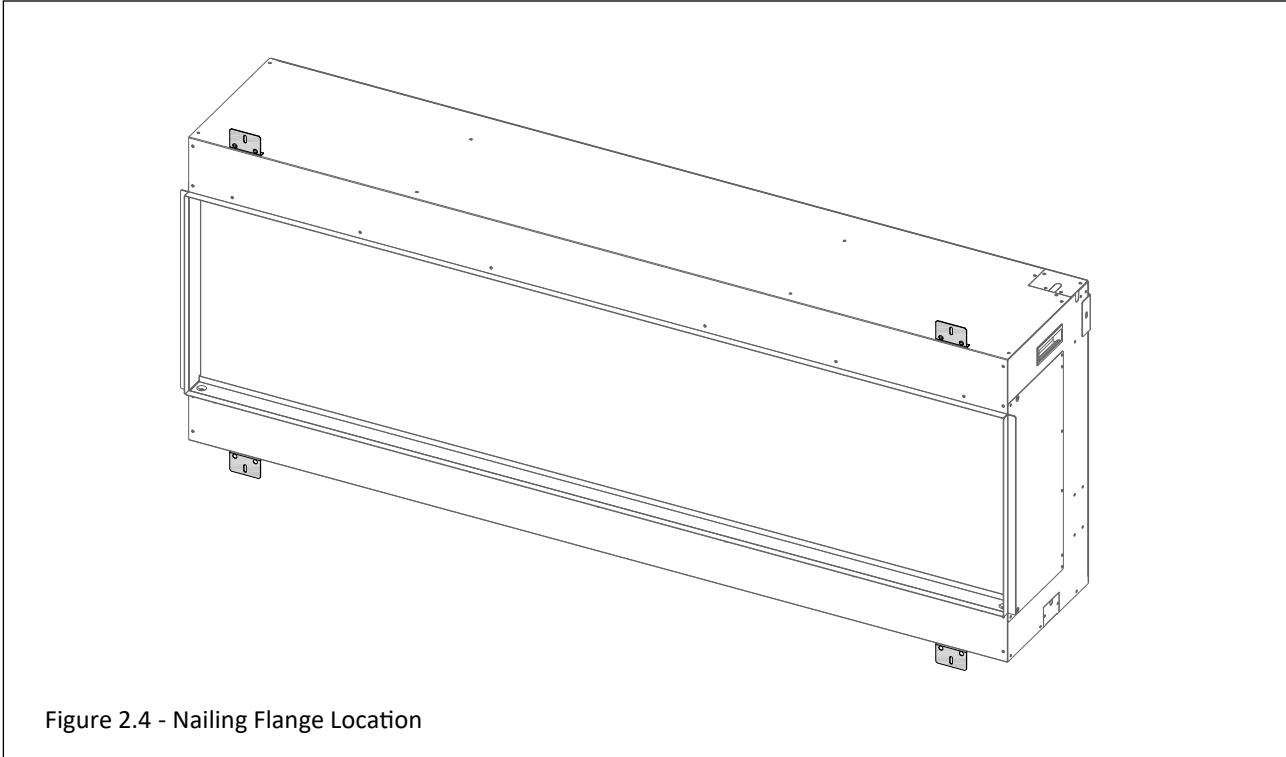


Fireplace Models	3 Sided - Framed Opening Dimensions		
	A	B	C
OS-e50	49-1/4" (1251mm)	24-1/2" (622mm)	12-1/4" (311mm)
OS-e64	63" (1600mm)	24-1/2" (622mm)	12-1/4" (311mm)
OS-e80	78-3/4" (2000mm)	24-1/2" (622mm)	12-1/4" (311mm)

2.6 Nailing Flange Installation

The nailing flanges come attached to the appliance. There are (2) nailing flanges on the top of the appliance and (2) nailing flanges along the bottom of the appliance.

Fold out the nailing flange as shown in Figure 2.5. Use the nailing flange to secure the appliance to framing.



2.7 1-Piece Rectangle Surround Installation and Removal

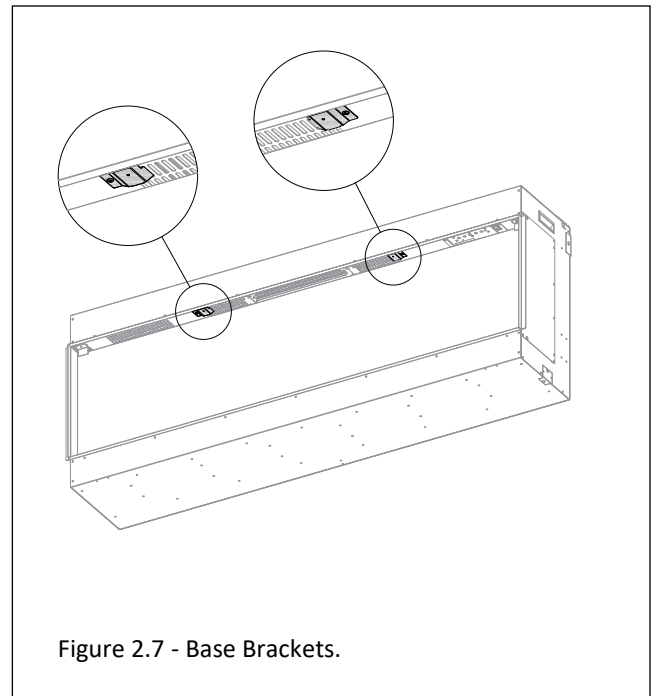
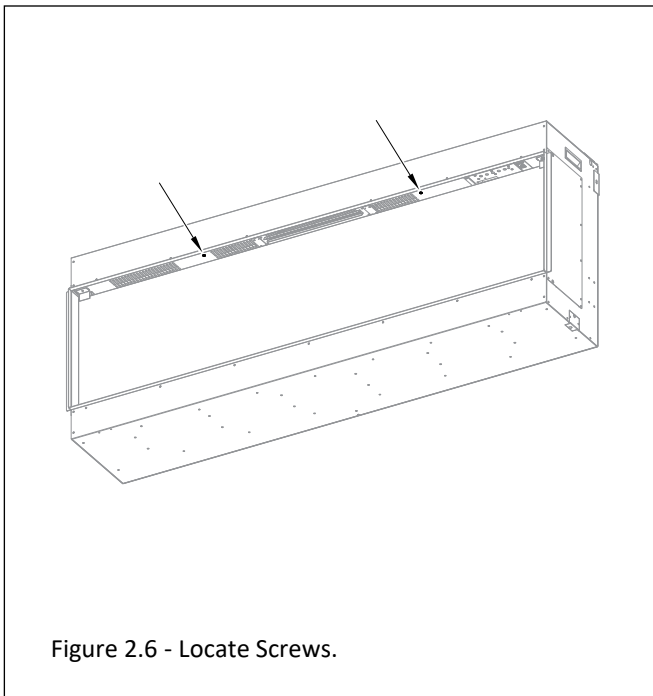
The rectangle surround is an optional accessory for the Osseo e50, e64, and e80.

- This surround can only be installed when the appliance is installed in a recessed single sided installation.
- This surround is recommended when you have an unfinished or exposed edge of drywall, tile, or wood.
- The surround is held on by magnetic brackets at the top and magnets at the bottom. Pull trim forward and up to remove from brackets.

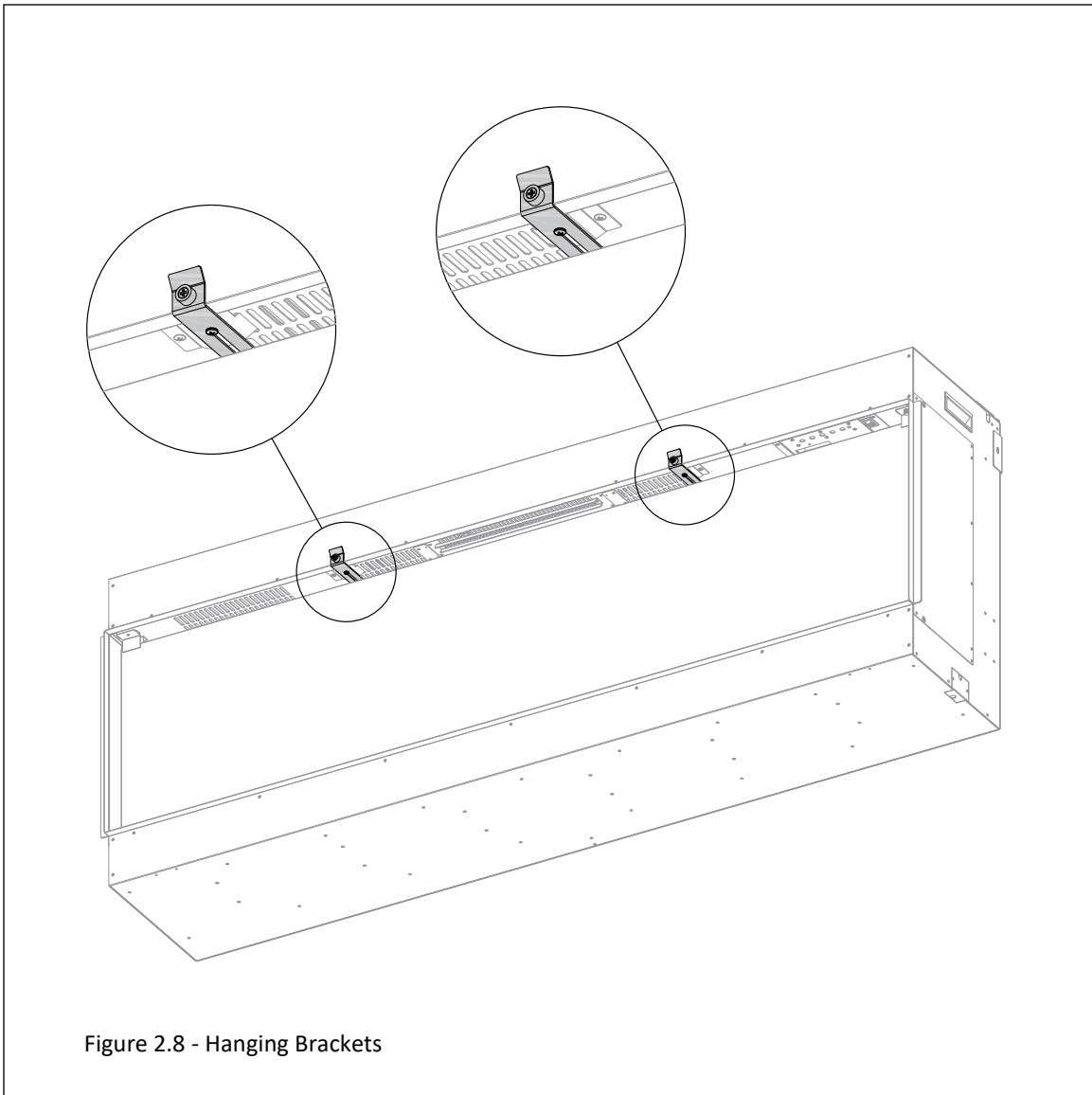
Installation:

1. Locate the (2) phillips screws shown in Figure 2.6. Remove these screws.
2. Install the base bracket as shown in Figure 2.7. There is a small tab on the bracket where you will position this inside the air intake louver. The opposite side of the bracket will be attached with the screw removed in step 1.

Note: This base bracket is the only item allowed inside the air intake openings.



3. Install the magnetic hanging brackets as shown using the supplied screws. These brackets are adjustable to accommodate your finishing material. See Figure 2.8.
4. Install the rectangle surround by hanging the top of the surround on the magnetic hanging brackets as shown in Figure 2.9.
5. Use the provided magnets to hold the bottom of the surround to the fireplace as shown in Figure 2.10. The magnets will sit on the bottom edge of the fireplace and should be hidden by the bottom flange of the surround.



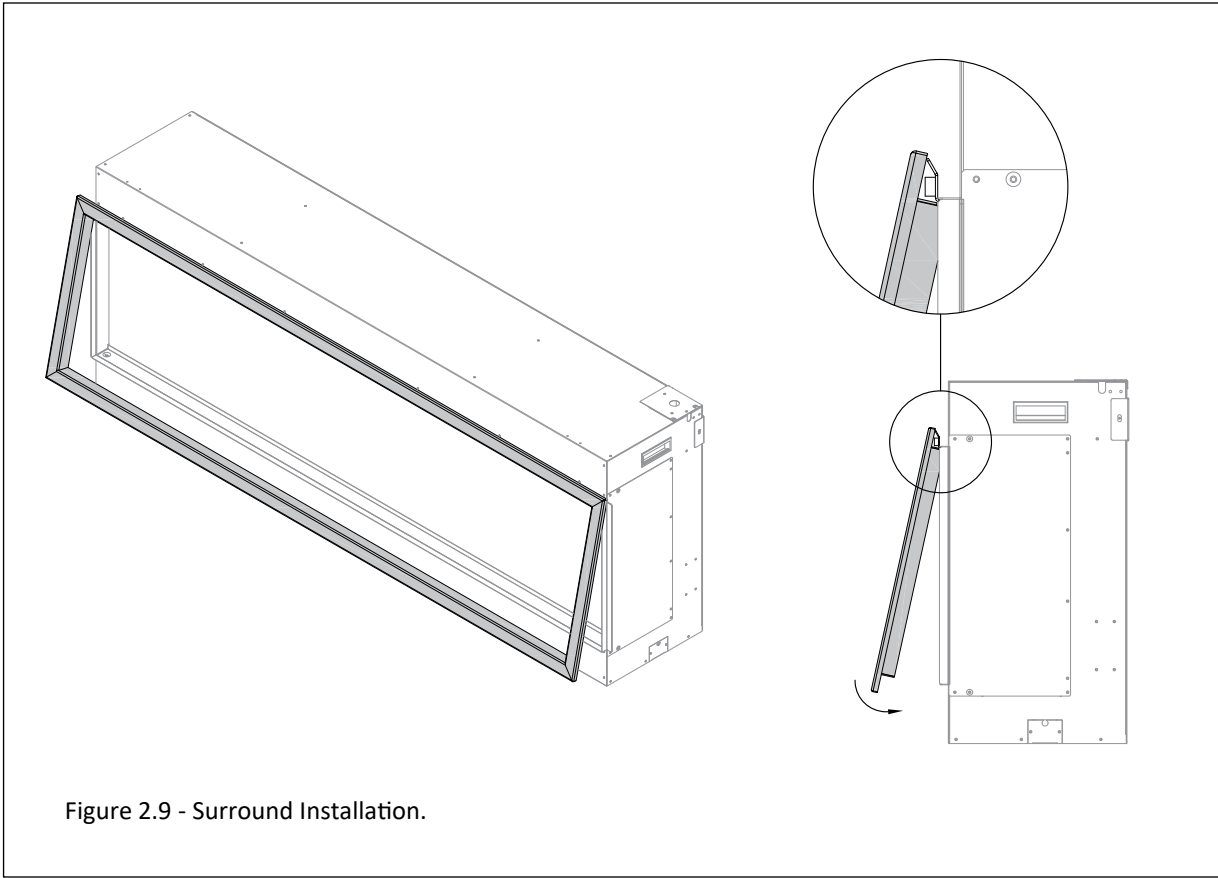


Figure 2.9 - Surround Installation.

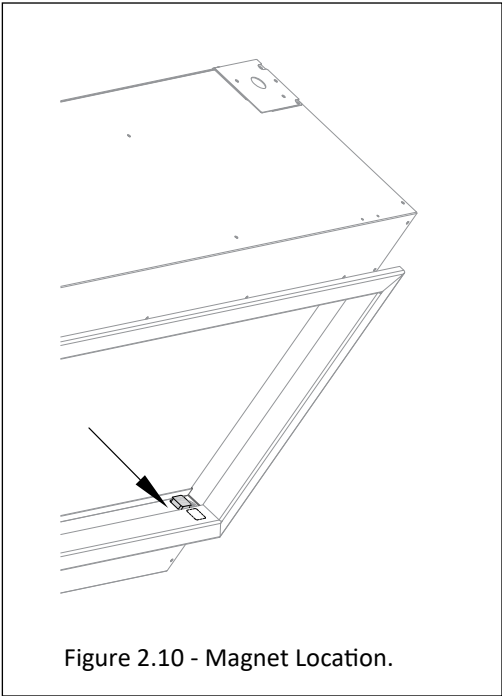


Figure 2.10 - Magnet Location.

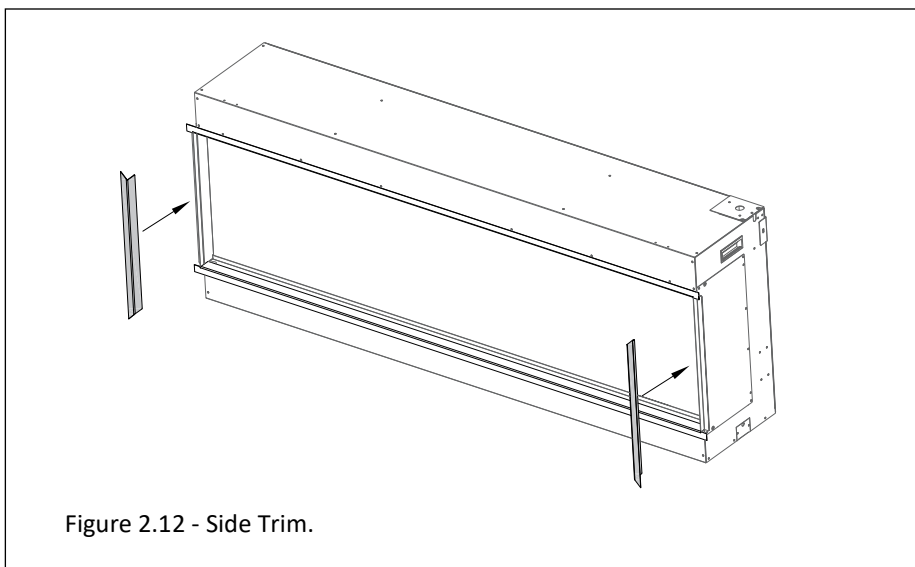
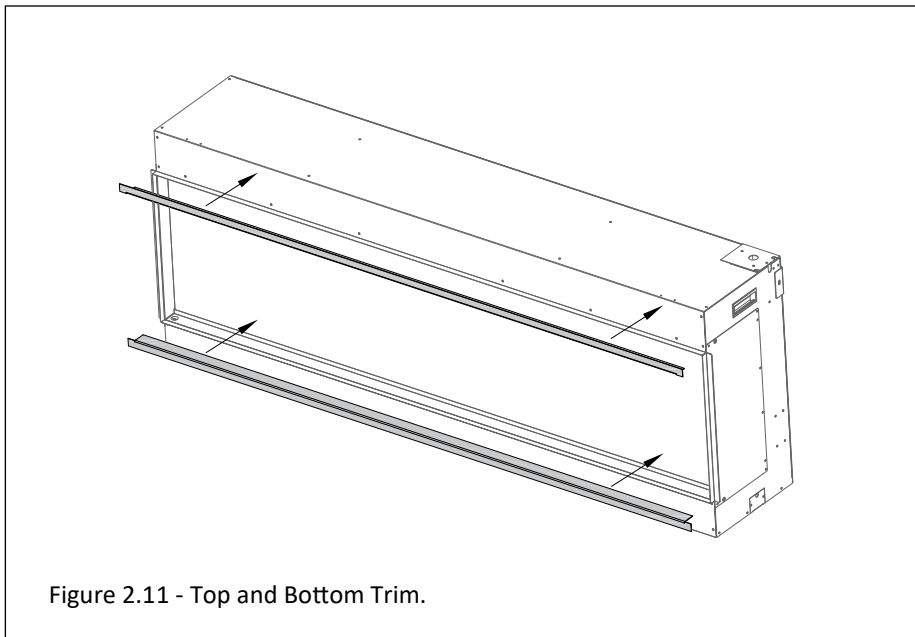
2.8 4-Piece Finishing Trim Installation

The finishing trim is an optional accessory for the Osseo e50, e64, and e80.

- This surround can only be installed when the appliance is installed in a recessed single sided installation.
- This surround is recommended when you are finishing the appliance in a smooth wall finish or are using very thin finishing materials.
- The trim pieces are installed with the supplied double sided adhesive tape.

Installation:

1. Install the top and bottom trim pieces as shown in Figure 2.11.
2. Install the sides trim pieces as shown in Figure 2.12.



2.9 Power Cord Outer Shell Termination

This section will provide information regarding how to change where the power cord terminates the outer shell of the fireplace. The location of where the power cord leaves the outer shell of the fireplace may need to be changed depending on your installation method.

- If you are installing the Floating Mantel Kit you will need to ensure the power cord terminates the outer shell of the fireplace out the side of the fireplace as shown in Figure 2.14.

To adjust power cord termination:

1. Remove the (4) screws that secure the plate that secures the power cord. See Figure 2.13.
2. Slide the power cord out of the slot that it is currently in and remove the grommet.
3. Place the grommet and power cord in your new desired termination location. See Figure 2.14.
4. Reinstall the previously removed plate and (4) screws.

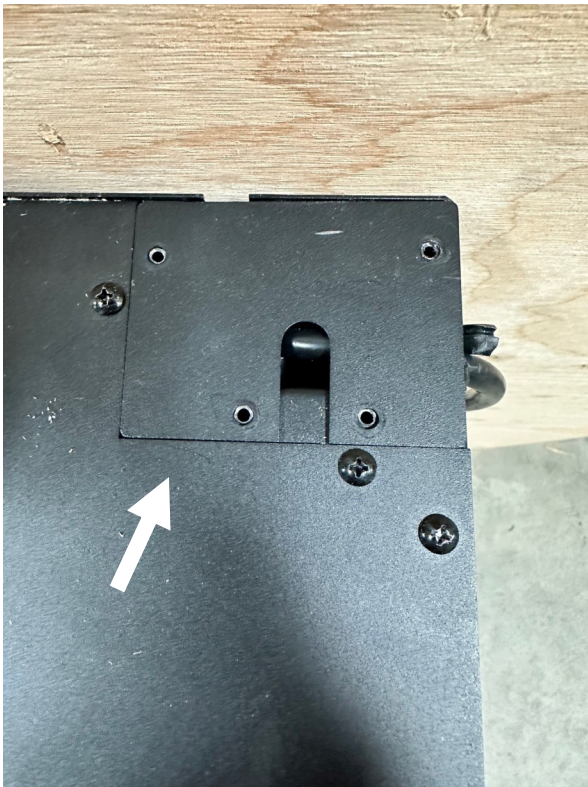


Figure 2.13 - Power Cord Cover Plate



Figure 2.14 - Power Cord Slot

2.10 Electrical Outlet Location

NOTE: Follow all national and local building and electrical codes.

NOTE: If you are installing the fireplace in a recessed installation application you will have to use the supplied electrical hard-wire kit. Follow the instructions supplied with the kit.

- If you are installing the fireplace in a recessed installation method
- If you are installing the fireplace in a wall mount configuration, the recommended location for the electrical outlet is directly under the bottom of the appliance. The electrical cord can terminate out the side of the appliance and run down the appliance to connect under the appliance.
 - Figure 2.15 shows the recommended electrical box location when installing the fireplace in a wall mount application with the optional Floating Mantel Kit. Ensure the faceplate of the electrical box is within the shaded area.
 - When installing the Floating Mantel Kit you can hide the electrical cord by running it along the right side mantel leg so the power cord terminates under the Floating Mantel Kit.

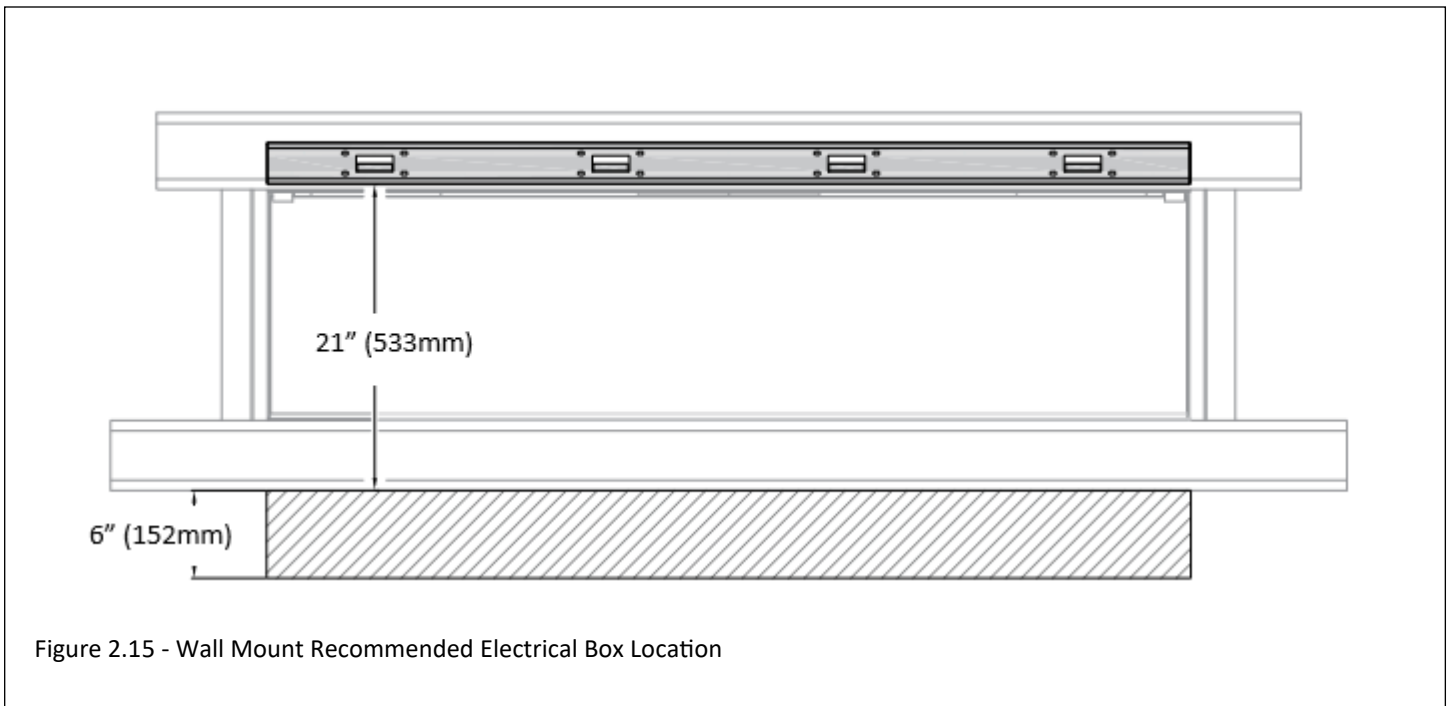


Figure 2.15 - Wall Mount Recommended Electrical Box Location

3.0 Facing and Finishing

3.1 Mantel Requirements

WARNING: All minimum clearances to combustible material MUST be maintained.

- **Combustible Mantel Projections:** Mantel projections must fall within the 12" (305mm) combustible Wall Projection shown in Figure 3.1. The combined wall projection, finishing material, and combustible mantel cannot exceed a 12" (305mm) projection.
- **Combustible Wall Bump-Out / Projection:** You are allowed up to a 12" (305mm) wall projection starting at the top finishing edge.

Note: At no point can any material extend to the inside of the finishing edges. No material should block the viewing area or glass of the appliance.

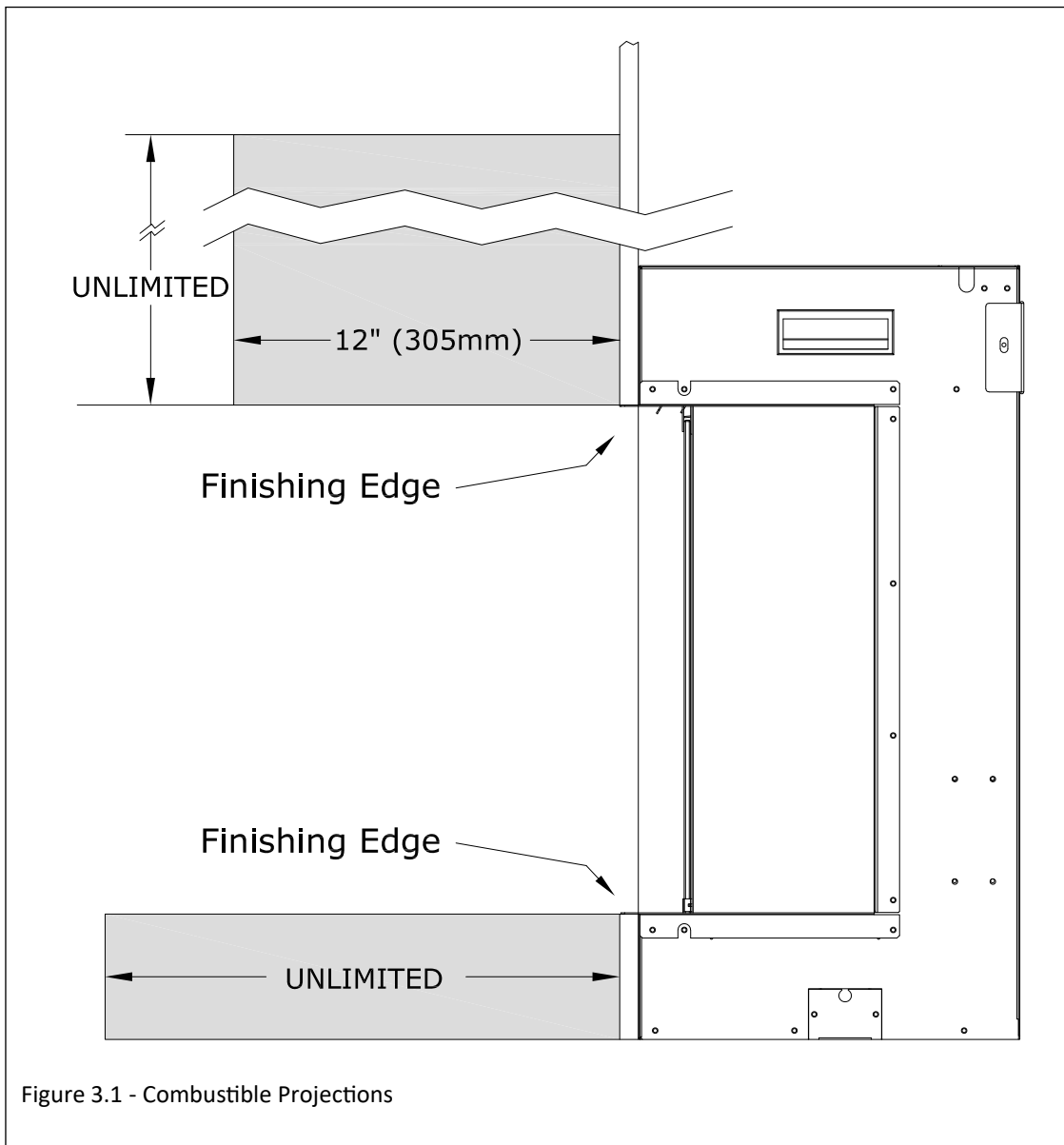
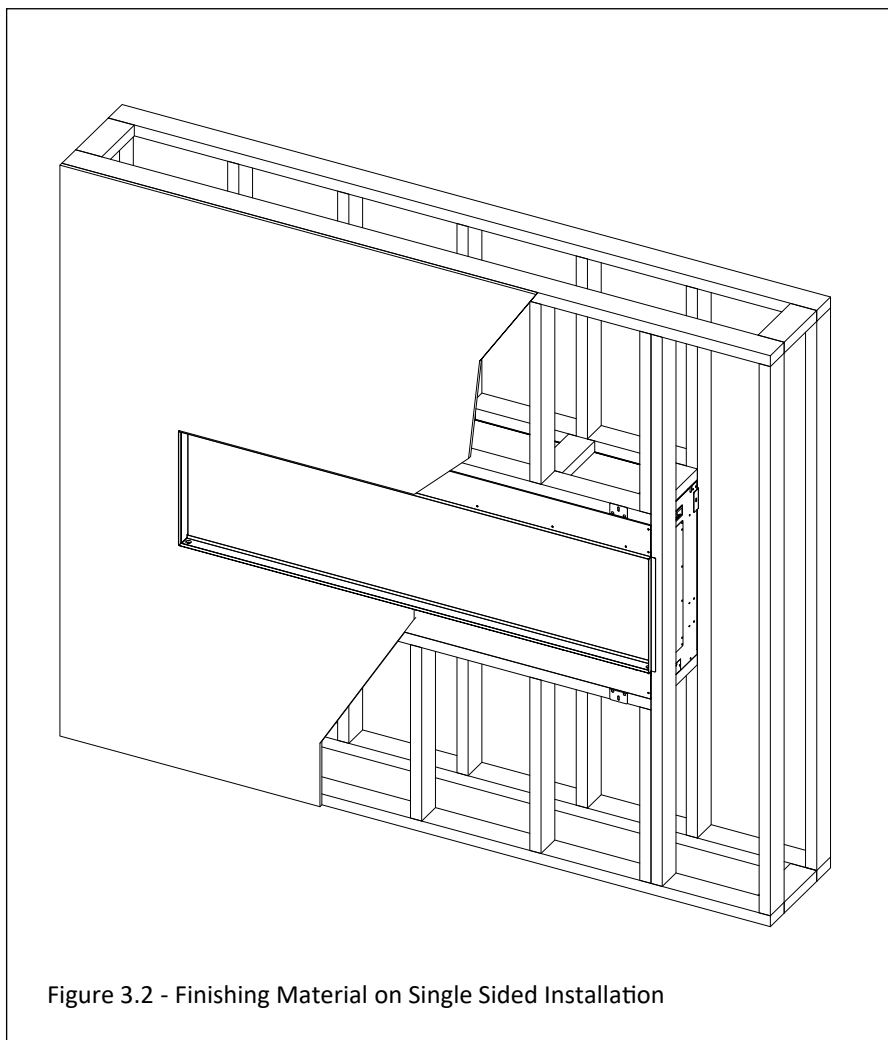


Figure 3.1 - Combustible Projections

3.2 Finishing Material Information

- This appliance has a finishing trim that is designed to cover the edge of finishing material up to 1/2" (13mm) thick.
- If your finishing material is thicker than 1/2" (13mm) then some of the finishing material's edge will be exposed
- If you are installing this appliance in a single-sided installation method you can install the optional front trim, Section 2.7, which would cover the edge of the finishing material. This is recommended when you have an unfinished or exposed edge of materials such as drywall, tile, or wood.



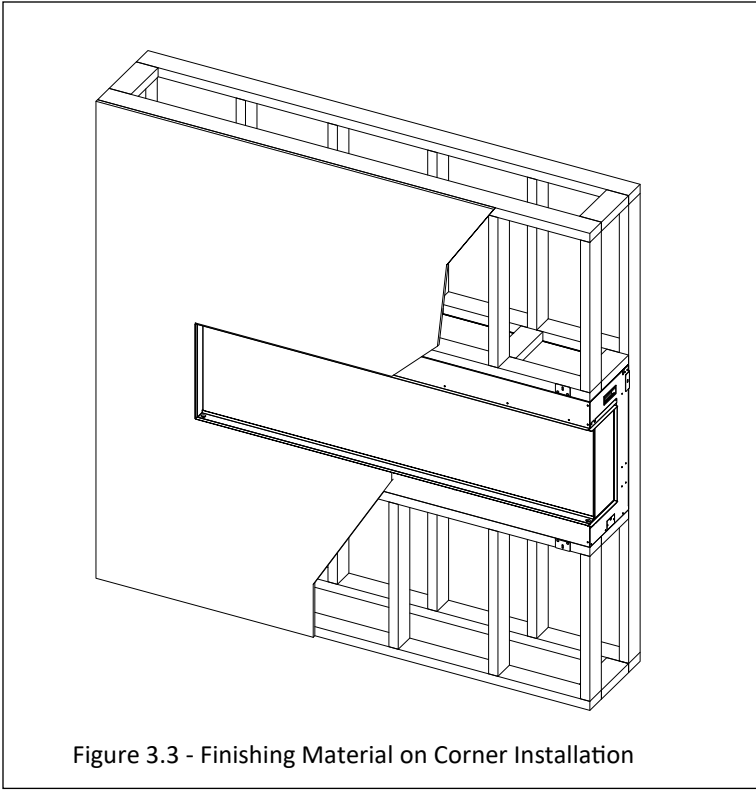


Figure 3.3 - Finishing Material on Corner Installation

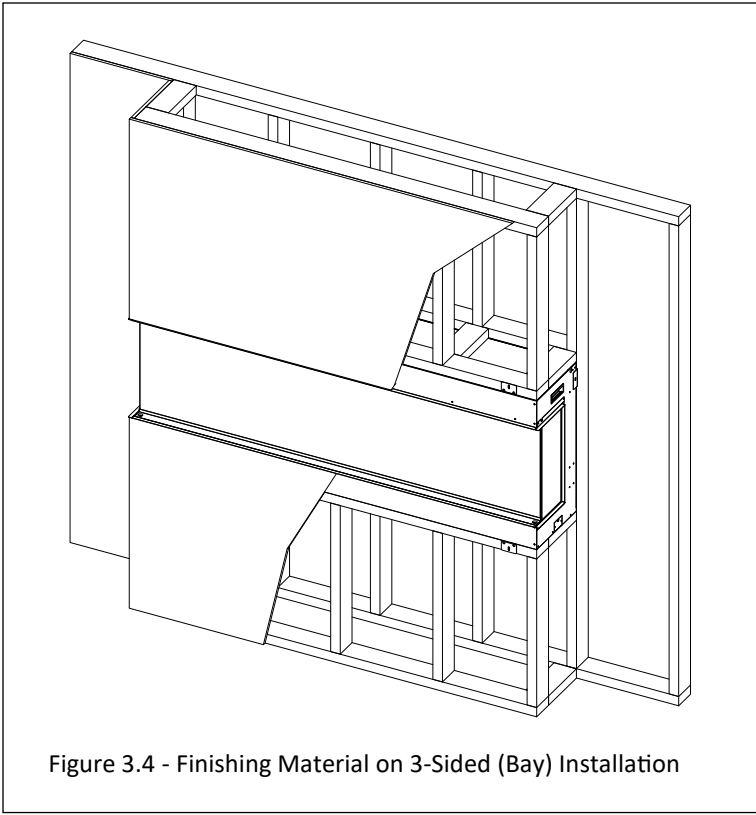


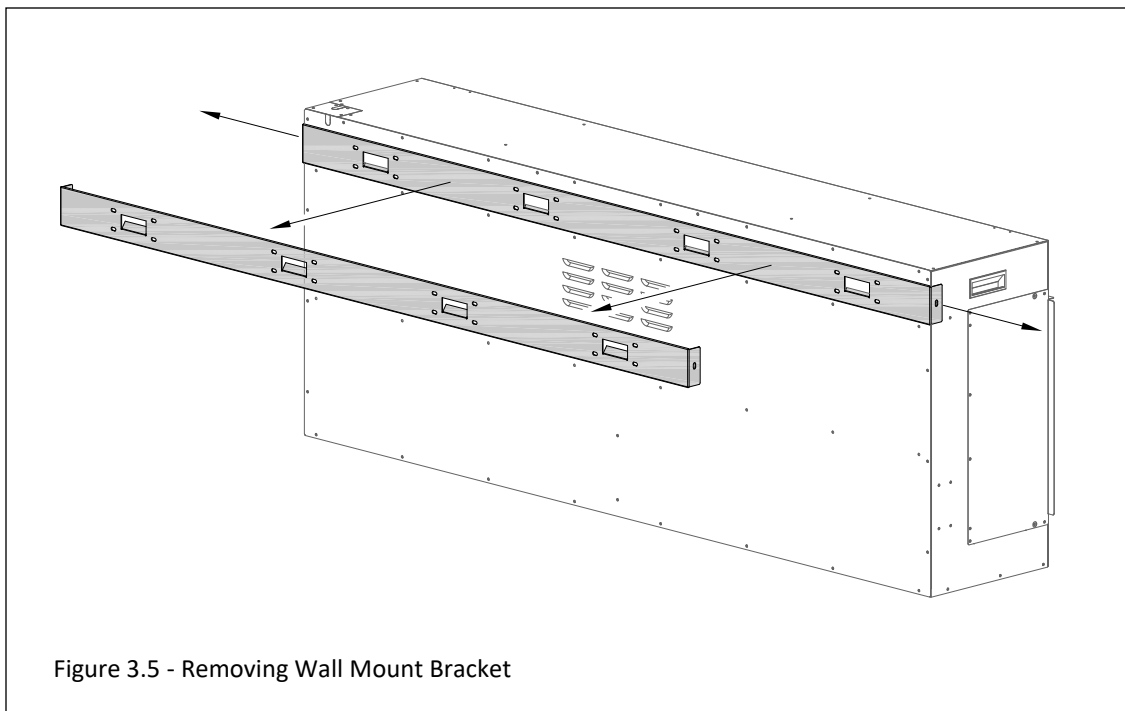
Figure 3.4 - Finishing Material on 3-Sided (Bay) Installation

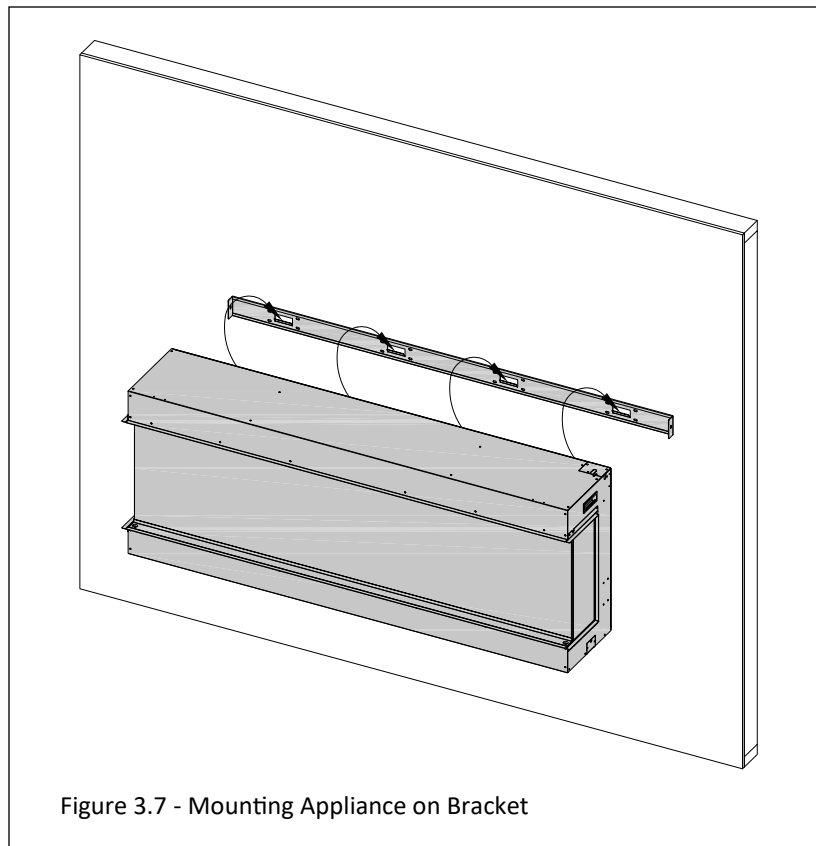
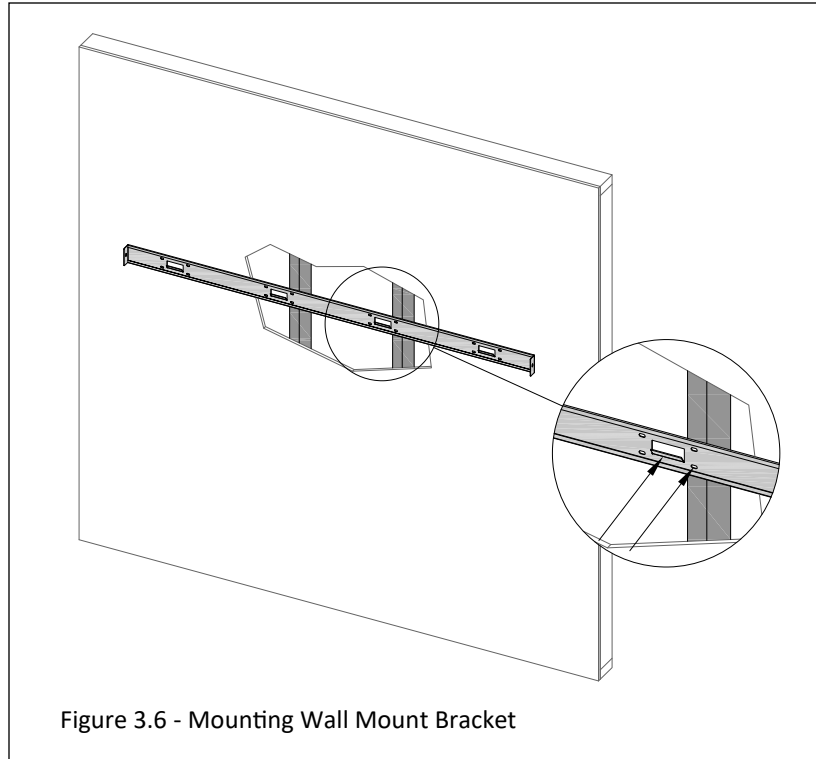
3.3 Wall Mount Installation

- This fireplace is supplied with the required bracket to hang the appliance on a wall.
- To mount the fireplace on a wall, you **MUST** secure the wall mount bracket (provided) into wood framing or another secured platform.
- Appliance placement considerations for wall mount scenarios:
 - The provided mounting bracket has holes to secure the bracket on the wall that are spaced 16" apart. This is the nominal distance between 16" stud framing. Once you have identified your desired location check to see if the wall mounting bracket holes line up with your wall studs. If they do not then you will have to add additional wood structure to secure the wall mount bracket at your desired location.
 - The provided wall mount bracket **CANNOT** be secured to the wall with drywall anchors.
 - Find your power source (i.e. electrical outlet). Ensure the outlet is close enough to your desired location. Consult a licensed electrician or additional electrical needs.
 - Consider any finishing material, hearth, or mantel desired when choosing a location.
 - Consider location of any TV or artwork when choosing a location.
 - If you are choosing the optional "Floating Mantel Kit", refer to Section 3.4 for the requirements of that kit.

Installation

1. Remove the (2) screws (one from each side) that secure the mounting bracket to the appliance.
2. Mount the wall bracket on the wall in the desired location ensuring the bracket is secured to stud framing.
3. Hang the appliance on the bracket and reinstall the (2) screws removed in step #1.





3.4 Floating Mantel Kit

Note: The Floating Mantel Kit is an optional accessory (not included). The Floating Mantel Kit is available for the Osseo e50 and Osseo e64 models. See part# OSE50-FMK-W, OSE50-FMK-G, OSE64-FMK-W, and OSE64-FMK-G.

- The Floating Mantel Kit is a great option to finish your electric fireplace when the appliance is wall mounted.

3.4.1 Floating Mantel Kit Dimensions

- When looking for a suitable location to mount the fireplace and Floating Mantel Kit see Figure 3.8 for dimensions.

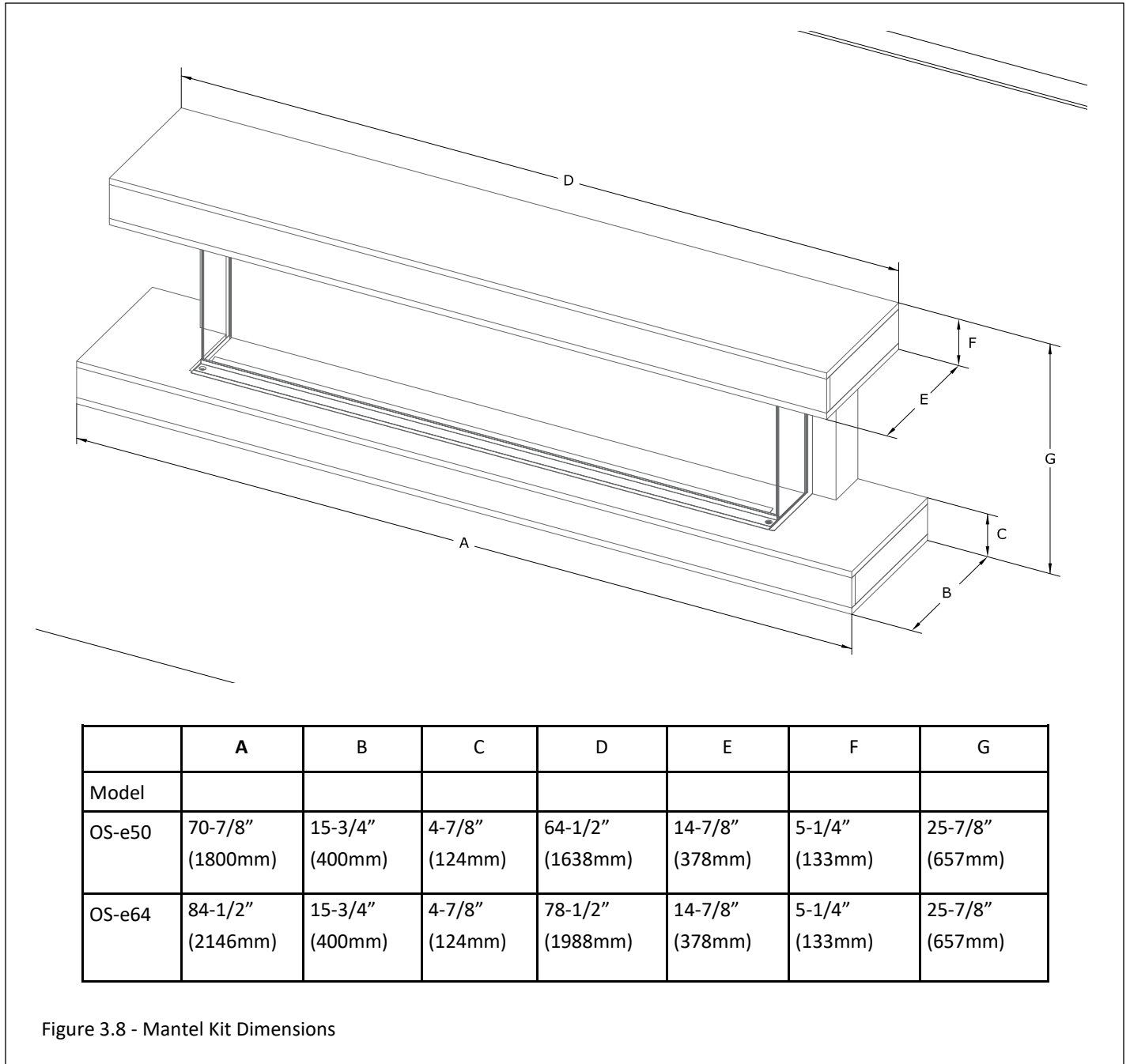
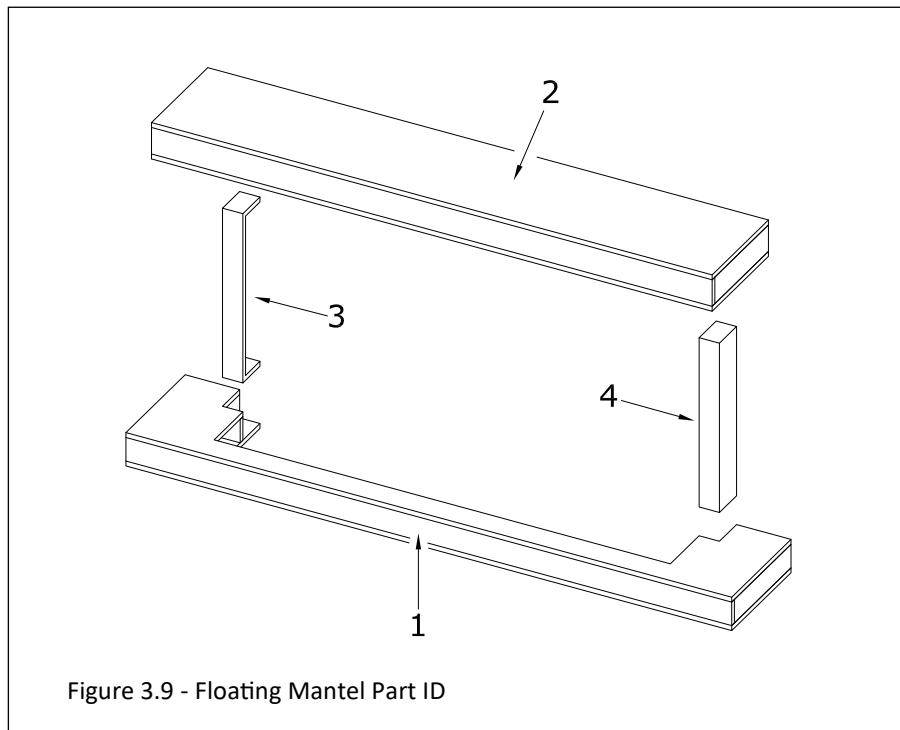


Figure 3.8 - Mantel Kit Dimensions

3.4.2 Installation of Floating Mantel Kit

1. Remove the 3 screws on each side of the appliance.
2. Install the supplied brackets from the Floating Mantel Kit as shown in Figure 3.10 . The brackets are right and left side specific.
3. Mount the fireplace on the wall. Follow Section 3.3 Wall Mount Installation.
4. Install the bottom section of the floating mantel kit as shown in Figure 3.11. This bottom piece slides on top of the brackets attached in step 2. Push this bottom section of the floating mantel until it rests against the wall. Ensure the topside of this section slides underneath the bottom finishing edge of the fireplace. Be careful during this step to not chip the bottom section of the mantel kit when it slides under the bottom finishing edge of the fireplace.
5. Attach the two mantel legs as shown in Figure 3.12 with (8) of the supplied screws. (4) screws per side.
6. Slide this assembled top section of the mantel down onto the fireplace so the mantel legs slide into the pockets of the bottom section of the floating mantel assembly. See Figure 3.13.
7. Secure the bottom section into the mantel legs. Go to the bottom side of the fireplace and install the screws through the holes in the brackets on the bottom side of the floating mantel assembly. There are (3) holes on the bracket per side. Make sure you are pushing down on the top of the Floating Mantel Assembly as the screws you are installing go through the bottom section of the mantel assembly into the side pieces of the floating mantel assembly (part #3 and #4). This secures the bottom and top sections into one secure assembly. See Figure 3.15.

Note: After completing step 7 you may find it desirable to take additional screws (not supplied) and toenail the screws into the bottom side of the top section (part #2) into the wall so the top of the Floating Mantel Assembly is secured tight against the wall. Predrill a hole into this location first before installing the screws. See Figure 3.15.



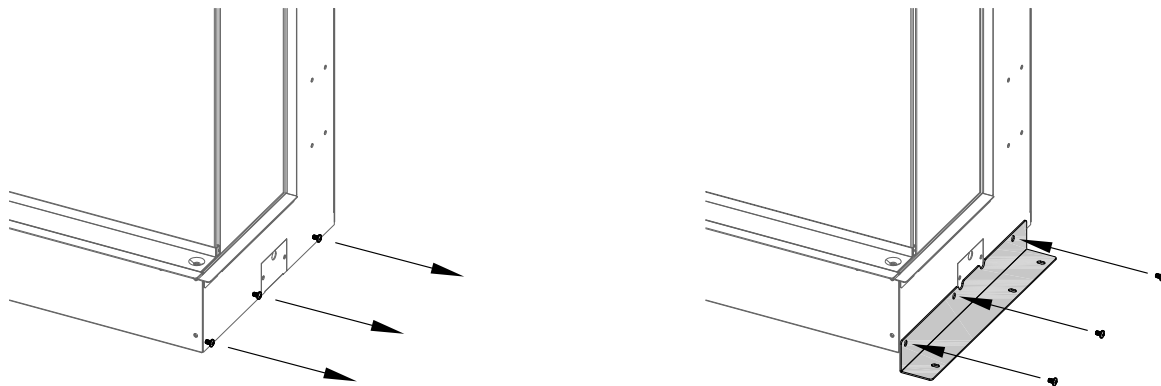


Figure 3.9 - Mounting Brackets on Fireplace

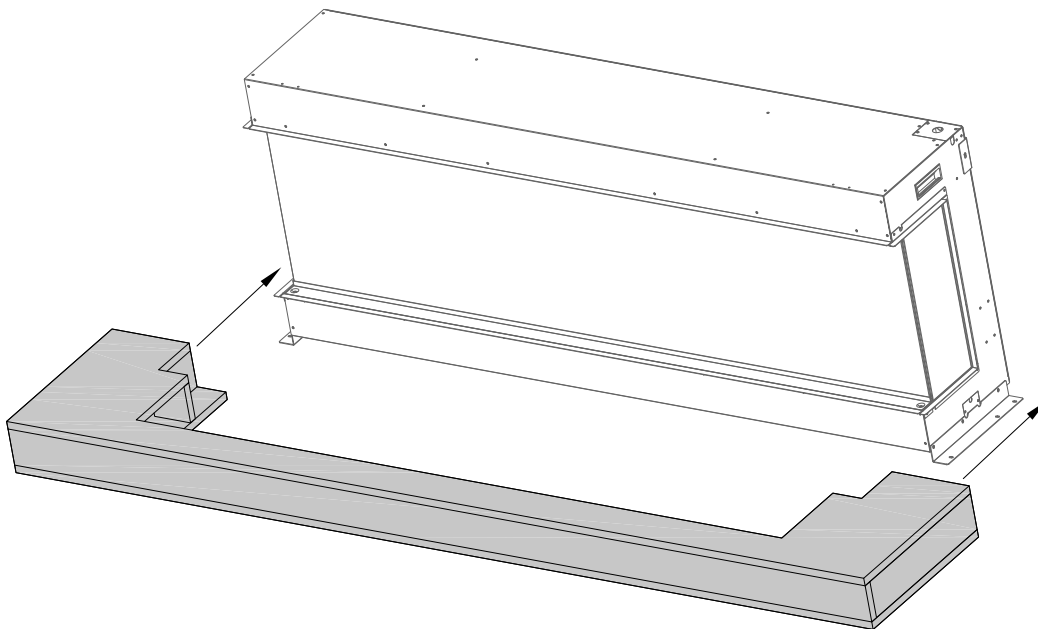
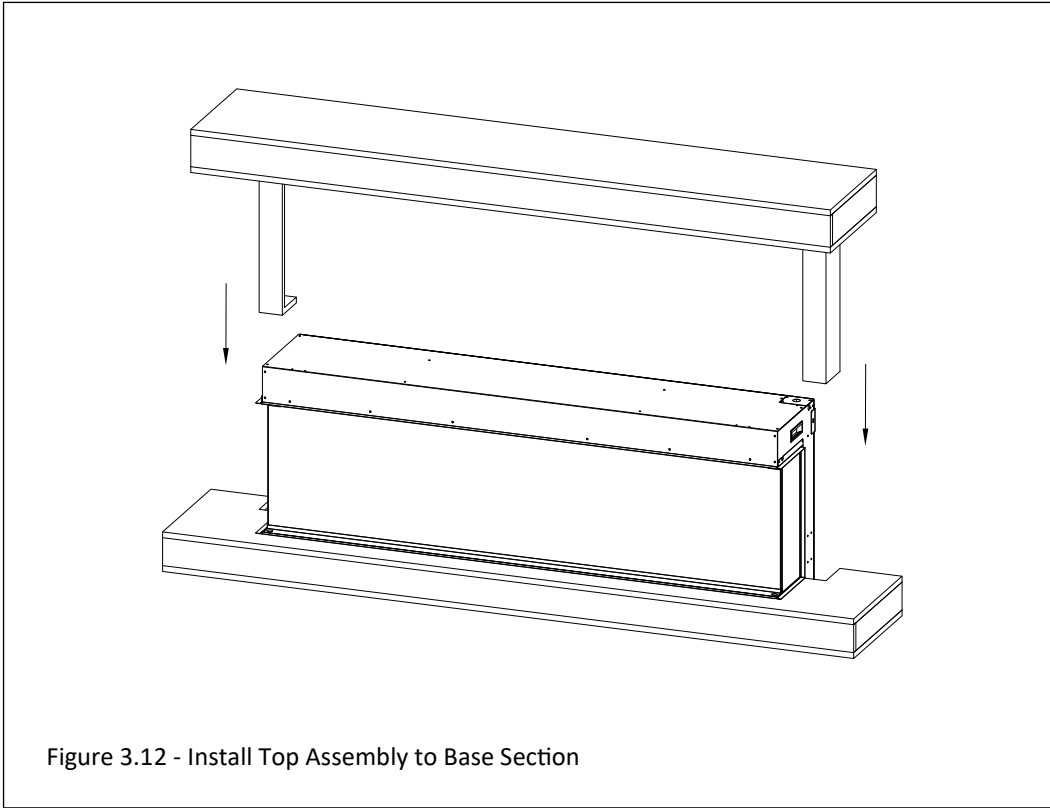
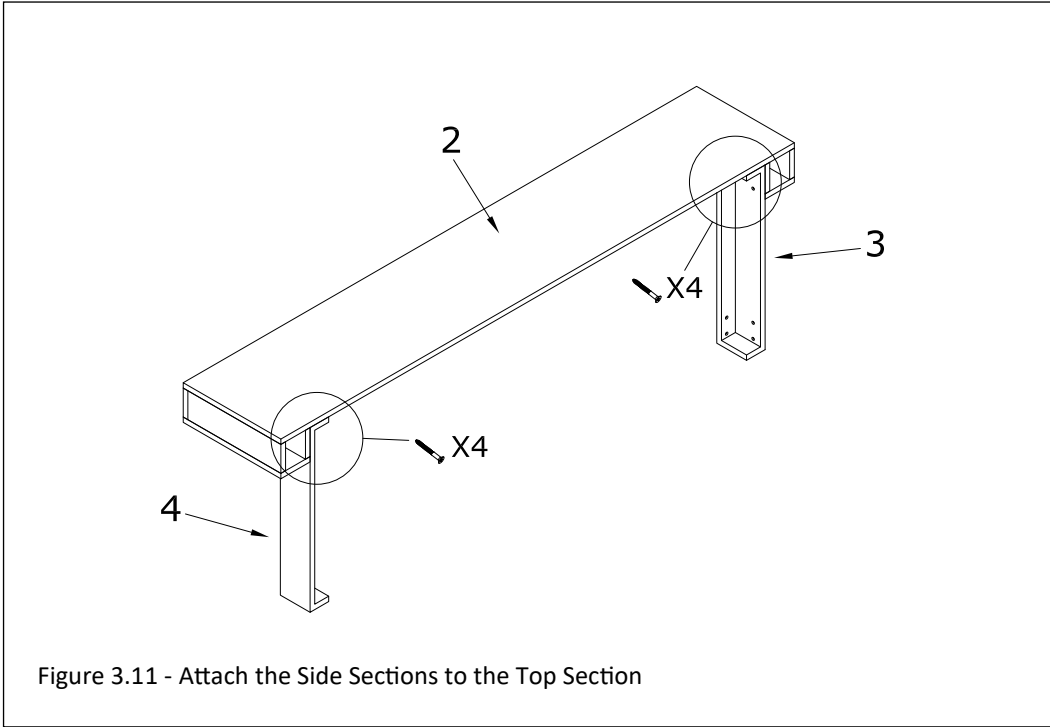


Figure 3.10 - Slide Bottom Mantel Section Above Brackets



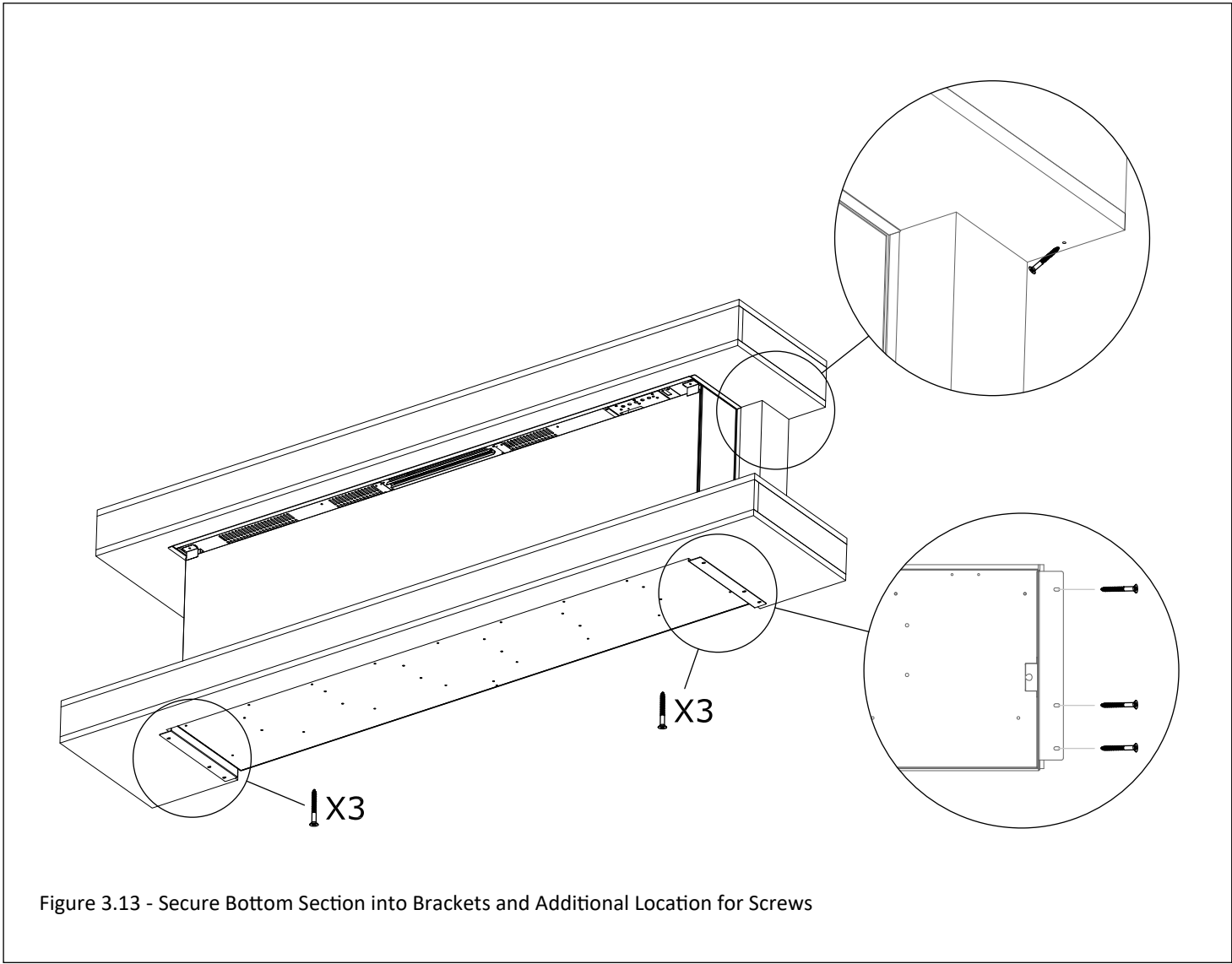


Figure 3.13 - Secure Bottom Section into Brackets and Additional Location for Screws

4.0 Appliance Setup

4.1 Glass Front Removal and Installation

1. Remove the front trim, if installed. See Section 2.7 Front Trim Removal and Installation.
2. With one hand on the glass front to prevent it from falling, remove the screws and brackets from the top right and left of the glass. Save these components. See Figure 4.1.
3. Remove the two screws securing the bottom glass trim / retainer. See Figure 4.1.
4. Carefully lift glass away from the appliance. Place it face down on a soft, non-abrasive surface.
5. To reinstall glass front, hold the glass in place and secure the bottom trim / glass retainer and then reinstall the two top clips and screws.
6. Reinstall front trim, if previously installed.

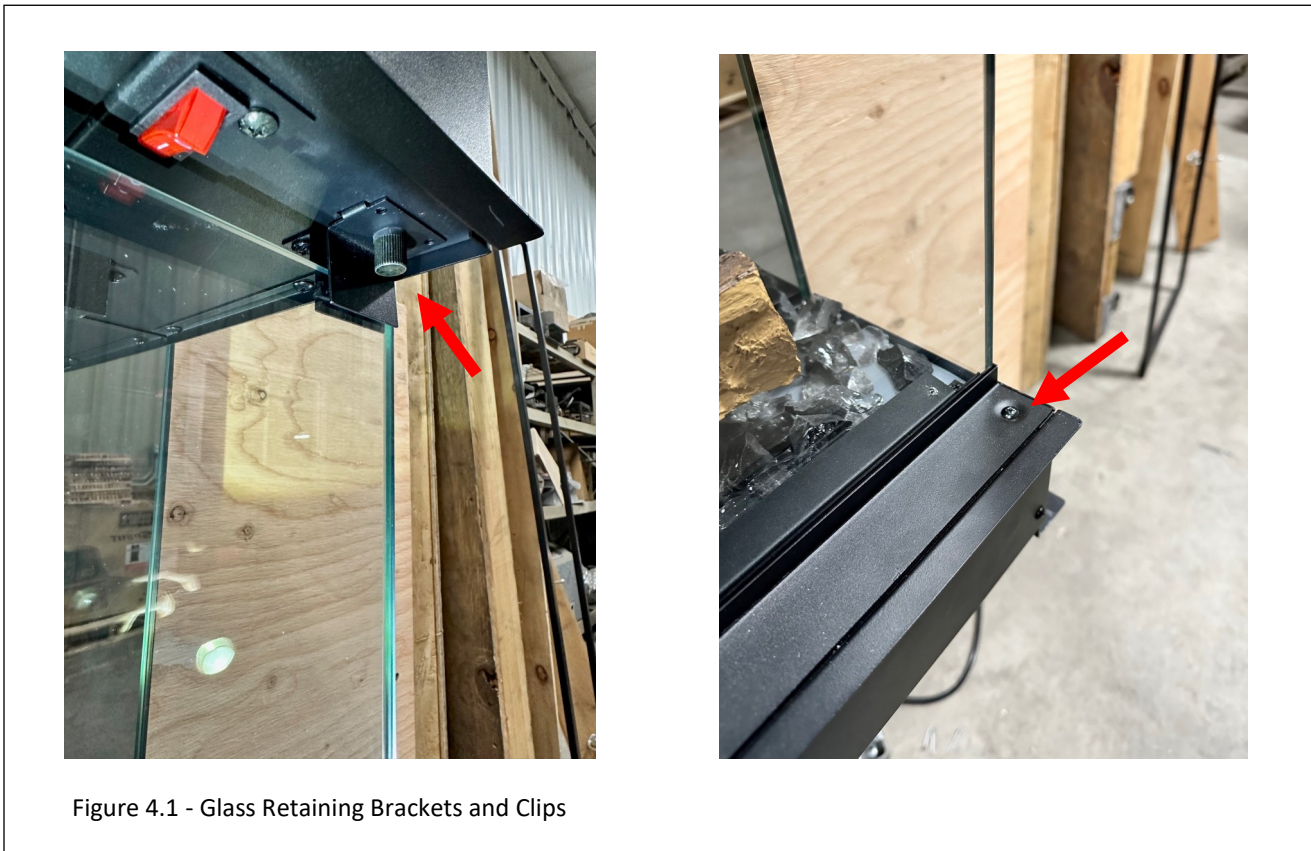


Figure 4.1 - Glass Retaining Brackets and Clips

4.2 Media Installation

The appliance must be in its final position before any media is installed.

1. Remove the optional rectangle surround (if installation). See Section 2.7.
2. Remove the glass front. See Section 4.1 Glass Front Removal and Installation.
3. Carefully place the crushed media (supplied with the fireplace) onto the floor of the fireplace. Apply an even layer the full width and depth of the floor.
4. If you purchased the optional log set then refer to Section 4.3 for log set installation.
5. Reinstall glass front and any other previously removed components.

4.3 Log Set Installation

The Osseo E-Series has an optional traditional log or birch log set. Some logs may not be used in the Osseo e50 and e64 installations.

4.3.1 Osseo e50 Birch Log Set

- The images below show the suggested log configuration for optional birch log set
- Figure 4.2 shows the (4) charred logs installed. These are positioned in front of the pulsating ember bed LEDs.
- Figure 4.3 shows the remaining logs installed.

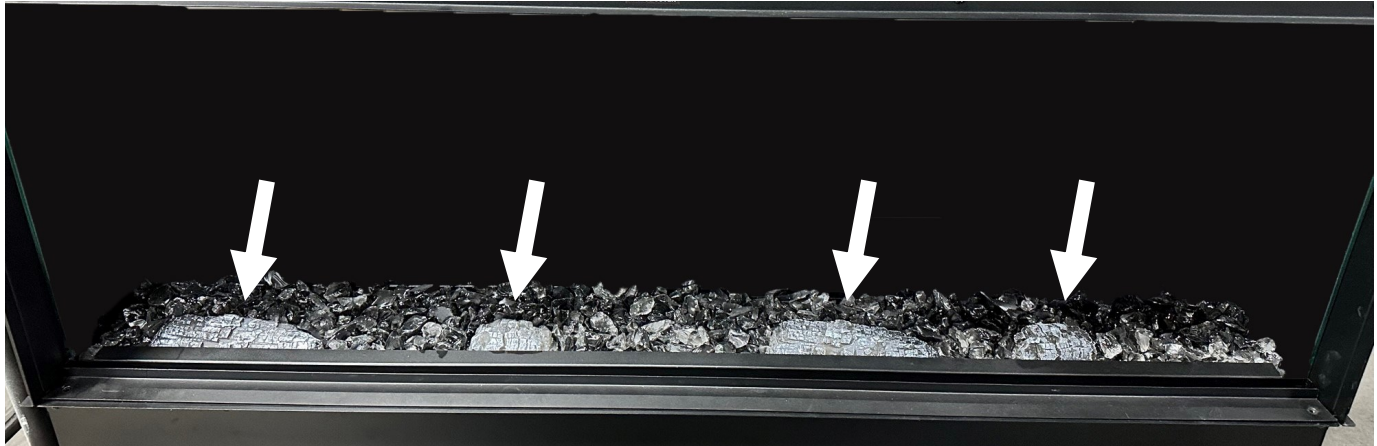


Figure 4.2 - Charred logs.



Figure 4.3 - Completed log set.

4.3.2 Osseo e50 Traditional Log Set

- The images below show the suggested log configuration for optional traditional log set.
- Figure 4.4 shows the (4) charred logs installed. These are positioned in front of the pulsating ember bed LEDs.
- Figure 4.5 shows the remaining logs installed.

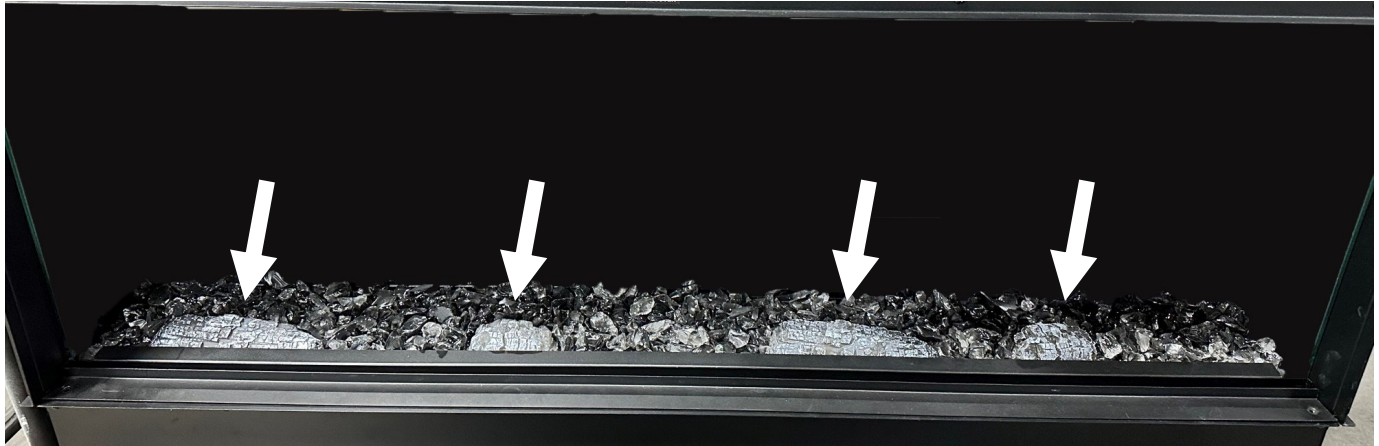


Figure 4.4 - Charred logs.



Figure 4.5 - Completed log set.

4.3.3 Osseo e64 Birch Log Set

- The images below show the suggested log configuration for optional birch log set.
- Figure 4.6 shows the (4) charred logs installed. These are positioned in front of the pulsating ember bed LEDs.
- Figure 4.7 shows the remaining logs installed.

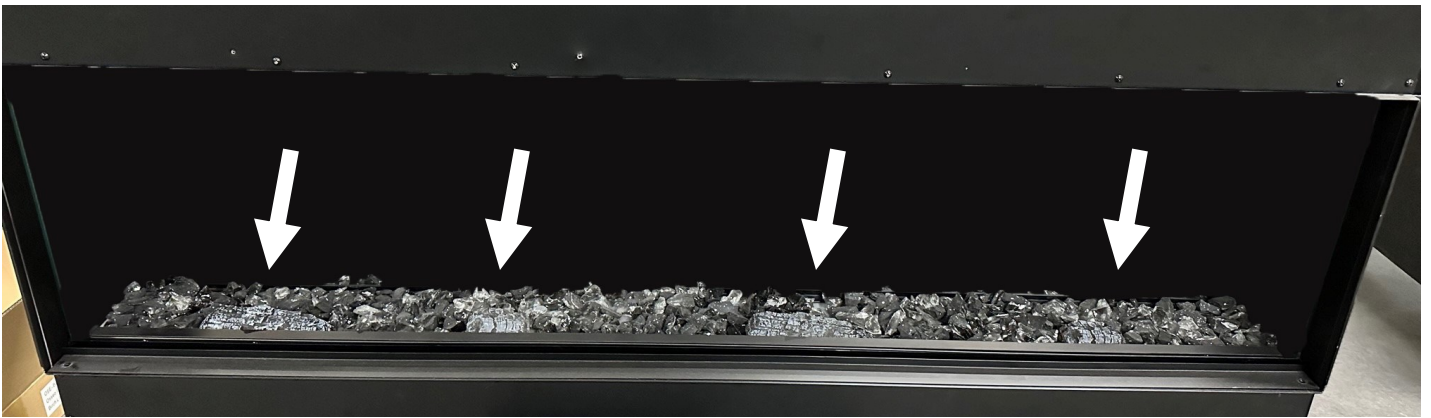


Figure 4.6 - Charred logs.



Figure 4.7 - Completed log set.

4.3.4 Osseo e64 Traditional Log Set

- The images below show the suggested log configuration for optional traditional log set.
- Figure 4.8 shows the (4) charred logs installed. These are positioned in front of the pulsating ember bed LEDs.
- Figure 4.9 shows the remaining logs installed.

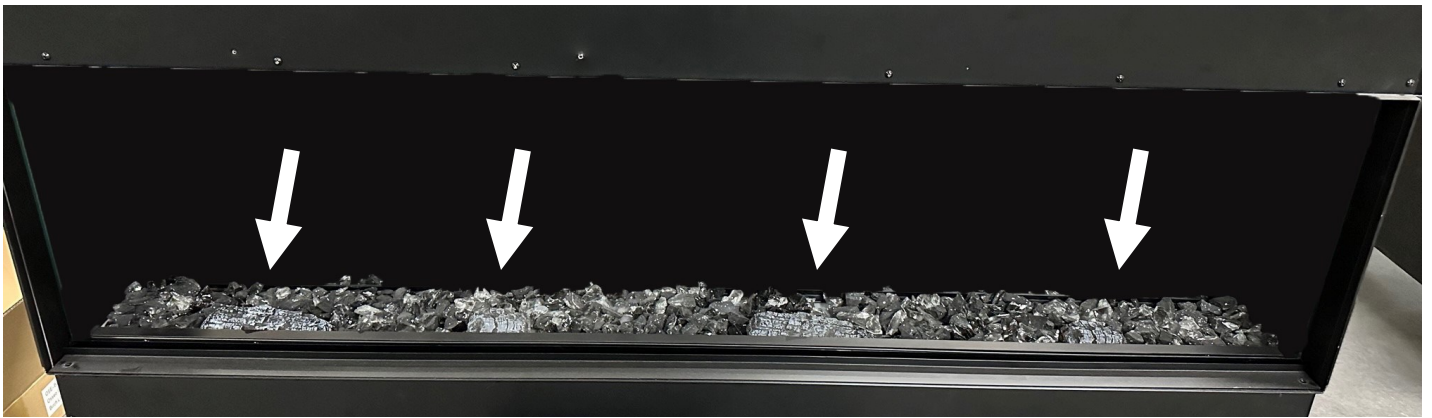


Figure 4.8 - Charred logs.



Figure 4.9 - Completed log set.

4.3.5 Osseo e80 Birch Log Set

- The images below show the suggested log configuration for optional birch log set.
- Figure 4.10 shows the (4) charred logs installed. These are positioned in front of the pulsating ember bed LEDs.
- Figure 4.11 shows the remaining logs installed.

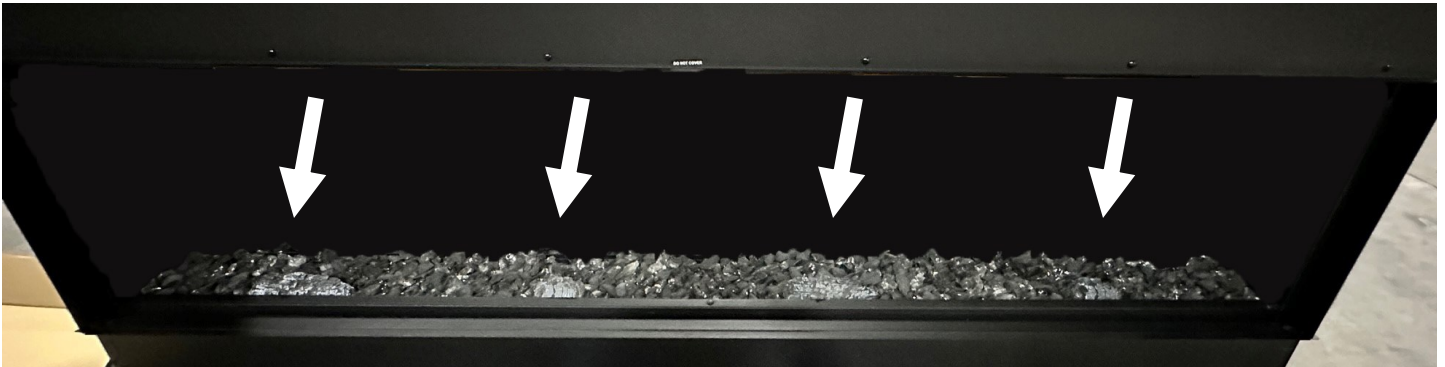


Figure 4.10 - Charred logs.



Figure 4.11 - Completed log set.

4.3.6 Osseo e80 Traditional Log Set

- The images below show the suggested log configuration for optional traditional log set.
- Figure 4.12 shows the (4) charred logs installed. These are positioned in front of the pulsating ember bed LEDs.
- Figure 4.13 shows the remaining logs installed.

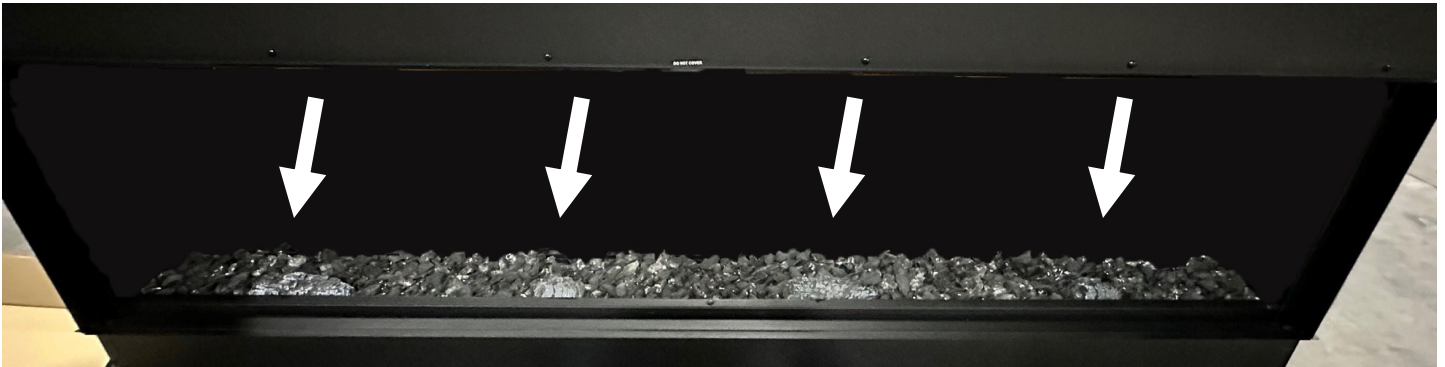


Figure 4.12 - Charred logs.



Figure 4.13 - Completed log set.

5.0 Operating Instructions

5.1 Methods of Operation

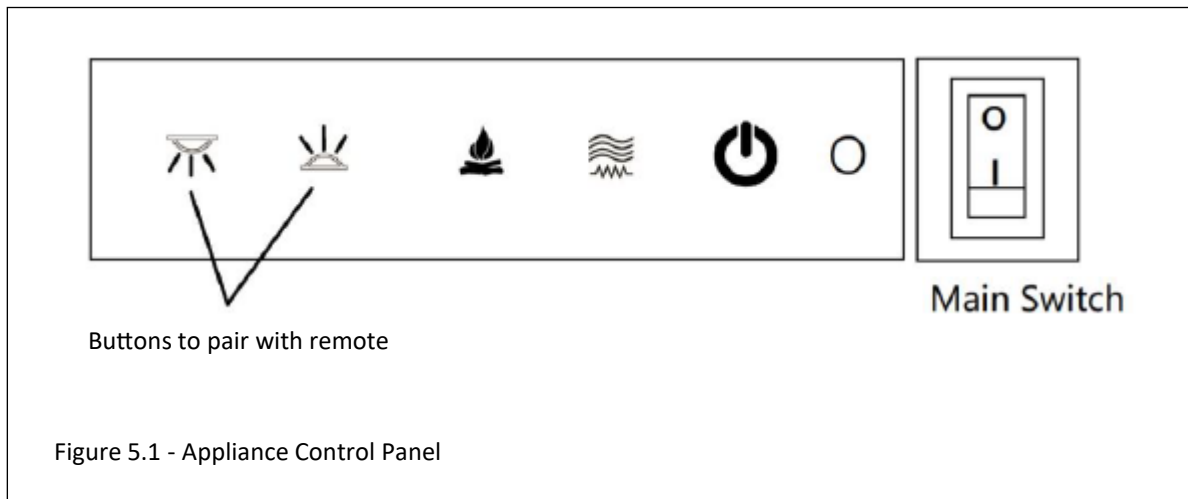
WARNING: Read and understand this entire installation and operation manual, including all safety information, before plugging in or using this product. This appliance must be properly installed before use. Failure to do so could result in electric shock, fire, serious injury, or loss of life. Do not tamper with any controls.

Note: When the appliance is first turned on, a slight odor may be present. This is normal and should not occur again unless the appliance is not used for a long period of time.

- This appliance has two locations to perform fireplace operations. The first interface location is the control panel located on the appliance and the second interface location is the remote control.
- The control panel located on the appliance performs a set of features that are specific this control panel.
- The remote control performs a set of features that are specific to the remote control.

5.2 Pairing the Remote to the Appliance

To pair the remote to the appliance, first turn on the main switch to put the fire in standby mode. Press and hold the 2 buttons indicated for 5 seconds, then release and press the power button on the remote to complete the pairing process. To ensure the pairing process has been successful simply press the power button on the remote to turn the appliance on and off. If the appliance does not turn on / off repeat the process.



5.3 Appliance Control Panel Operation

Note: Each time you press a button on the control panel you will hear an audible beep sound indicating an action has happened.

Main Power Switch

- Push the main power switch to I, the main power indicator will illuminate.

Manual Switch

- Pressing the manual switch button turns the fire on and off.

Heater Button

- Press the heater button once and the heater will turn on to half heat (750w).
- Press the heater button a second time and the heater increases to full heat (1500w).
- Press the heater button a third time and the heater will turn itself off.

Flame Button

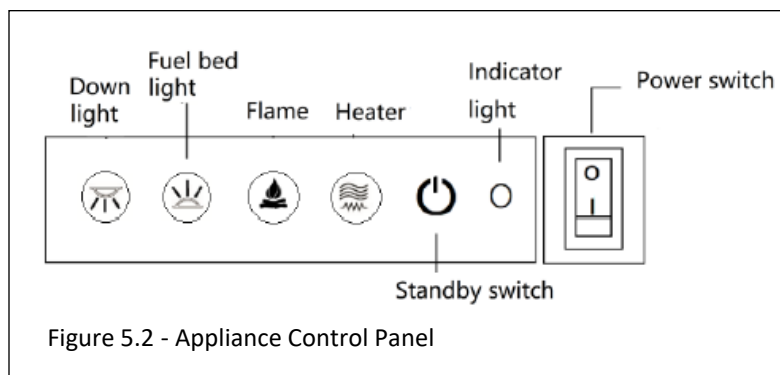
- Pressing the flame button will change the flame color.
- There are four settings. Each time the button is pressed the flame color and pattern will change color.

Down Light Button

- Pressing the down light button quickly changes the colors. There are four different color settings.
- There are four different modes in the down light setting. To activate each mode press the down light button and hold the button for 3 seconds. Once you hear the audible beep a mode has been activated. Hold the button for another 3 seconds to switch to the next mode. You must select your desired color in advance of activating either “Single Color” mode.
- The four different modes are:
 - Pulse Mode (Single Color)
 - Pulse Mode (Color Changing)
 - Solid State (Color Changing)
 - Solid State (Single Color)

Fuel Bed Button

- Pressing the fuel bed button quickly changes the colors. There are fourteen different color settings.
- There are four different modes in the fuel bed setting. To activate each mode press the down light button and hold the button for 3 seconds. Once you hear the audible beep a mode has been activated. Hold the button for another 3 seconds to switch to the next mode. You must select your desired color in advance of activating either “Single Color” mode.
- The four different modes are:
 - Pulse Mode (Single Color)
 - Pulse Mode (Color Changing)
 - Solid State (Color Changing)
 - Solid State (Single Color)



5.4 Remote Control Operation

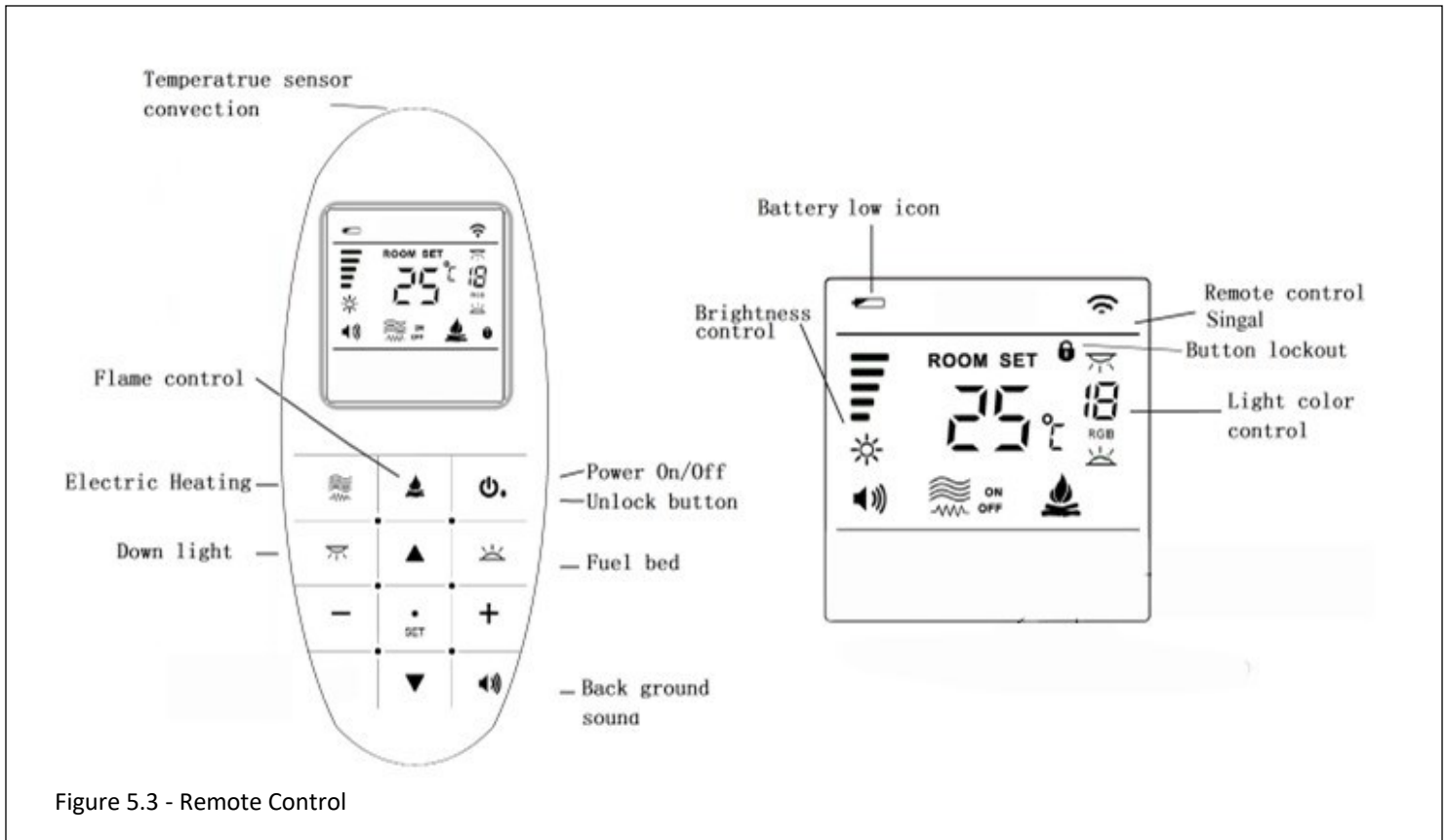


Figure 5.3 - Remote Control

Note: The remote will go into safe mode after 60 seconds of not being used. Press the “power” button on the remote to unlock the remote before use. When you press the “power” button to unlock the remote the remote screen backlight will turn on.

- This is a thermostatic remote control. The remote control should always be in the same room as the electric fireplace with the screen on the remote facing up.
- Do not cover the temperature sensor.
- Do not leave the remote control next to the front of the fireplace or a warm area such as a window. This will relate false temperature information to the fireplace and prevent the fireplace from turning on and off accurately in relation to room temperature.
- If you need to control the fireplace manually, first increase the thermostat temperature above the room temperature then turn off the remote. This will stop the remote control overriding the manual control operation off of the appliance control panel. All the functions of the fireplace will operate using the appliance control panel button. Please note if the main power switch is turned off and the fireplace is turned on manually again the heat function will not work.
- If you stop operating the remote for 3 seconds, it will automatically save the recent setting selected.

Turning on / off the appliance.

Note: The rocker switch on the appliance control panel must be turned on.

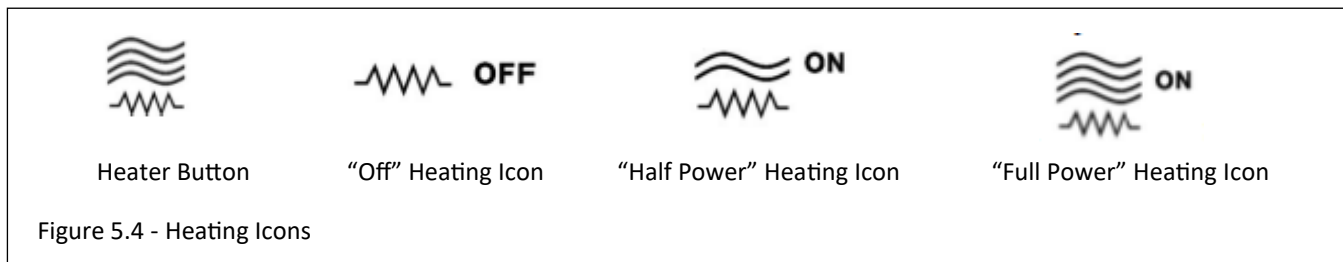
- Press the “power” button on the remote control to turn the fireplace on or off. Remember that if the remote has not been used within the last 60 seconds then you will have to push the power button once to unlock the remote then press the power button a second time to turn the fireplace on or off.

Temperature Setting

- Press the “up” or “down” arrow button to change the temperature setting. Either press the “SET” button or stop using the remote for 3 seconds to have the desired temperature saved.
- Example: By Setting the temperature 70°F, when the room temperature is 66°F the heater will automatically start. The program has been designed with a +/- 3°F tolerance.

Electric Heating Control

- Press the “Heater” button to turn on or turn off the electric heater. When “Heater” button says “Off” symbol appears on the screen the electric heater is off.
- Press the “Heater” button once to turn the electric heater on. This setting provides half power which is 750W.
- Press the “Heater” button a second time to turn the electric heater to full power which is 1500W.



SET Button

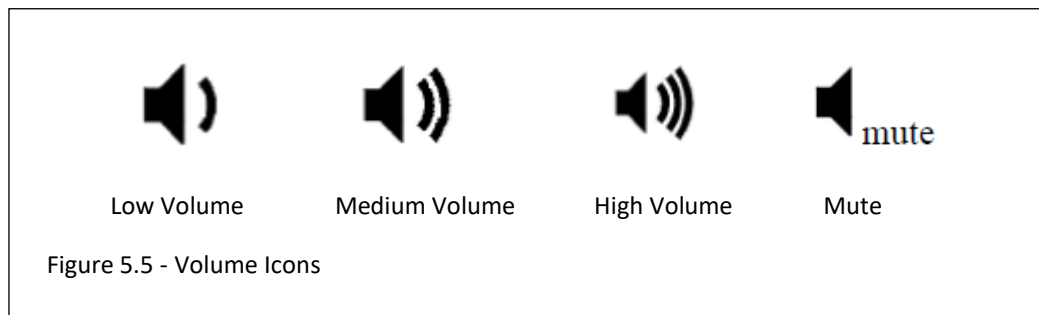
- Press the “SET” button to save any adjustment or stop operating the remote for 3 seconds and it will automatically save the desired setting selected.

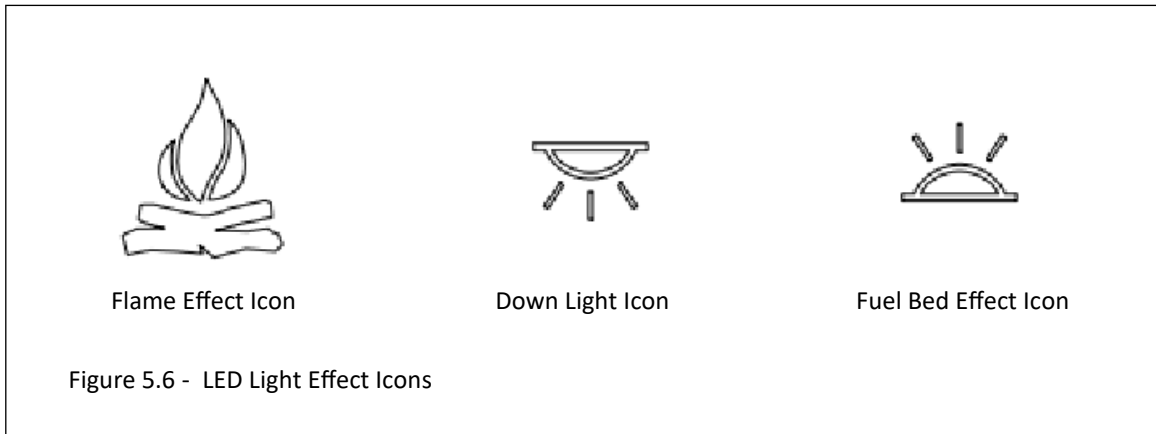
Changing Temperature from F° to C°

- Press the “SET” button for 6 seconds to switch the temperature readout from Fahrenheit to Celsius.

Background Sound “Wood Crackling”

- Press the “background sound” button to adjust the background volume.
- There are four volume settings.





Flame Effect

- Press the “flame” button and the icon will flash on the remote. The flame adjustment is now active.
- Press the “up” or “down” button to adjust the flame brightness. There are 5 settings which modulate the flame appearance from full flame to no flame.
- Press the “-” or “+” button to adjust the colors from number 1 to 4.
- If you press the “flame” button and then press it again you will start to cycle the LED color options. Continue to press the button until you have your desired color selection.

Down Light Effect

- Press the “down light” button and the icon will flash on the remote. Press the “up” or “down” arrow to adjust the light brightness.
- There are 5 settings which range from maximum brightness or no light. Use the “-” and “+” button to adjust the colors from number 1 to 7.
- If you press the “down light” button and then press it again you will start to cycle the LED color options. Continue to press the button until you have your desired color selection.

Fuel Bed Effect

- Press the “fuel bed” button and the icon will flash on the remote. Press the “up” or “down” arrow to adjust the light brightness.
- There are 5 settings which range from maximum brightness or no light. Use the “-” and “+” button to adjust the colors from number 1 to 13.
- If you press the “fuel bed” button and then press it again you will start to cycle the LED color options. Continue to press the button until you have your desired color selection.

Resetting the Remote Control

- If the remote control does not operate correctly, please take out the batteries to reset the remote to factory settings. Open the back cover and remove the batteries. When reinstalling the batteries ensure the batteries are placed in correctly for battery polarity.

6.0 Maintenance

6.1 Cleaning the Appliance

The appliance should always have power turned off when performing maintenance. Go to the appliance control panel and ensure the toggle switch is in the off position.

- Carefully clean the air inlet and heater area with a cloth or vacuum on a regular basis. It is important that these areas are kept free from dust / pet hairs, etc.
- Do not use abrasive cleaners on this appliance.
- Do not spray liquids directly onto the appliance.
- When cleaning the glass spray glass cleaner onto a cloth and then clean the glass. Dry with a lint free cloth.

IMPORTANT: The glass in the appliance is temperature for safety. If the glass receives a hard impact it will shatter. Take extra care to ensure the corner of the glass to not hit a hard surface.

- If removing the glass from the appliance to clean it then the following precautions need to be followed:
 - Wear safety gloves and glasses.
 - Ensure the glass is placed on a soft surface.
 - We recommend for the 64" fireplace and the 80" fireplace that 2 people are needed to remove the glass.
 - Do not rely on the glass suction cups supplied to carry the weight of the glass. These are only provided to tilt the glass back so it can be removed.

6.2 Battery Replacement

Replace the battery when the battery indicator is empty on the remote. Ensure to replace with the correct type of battery (1.5V AAA), Ensure the batteries are installed in the correct orientation.

7.0 Replacement Parts List

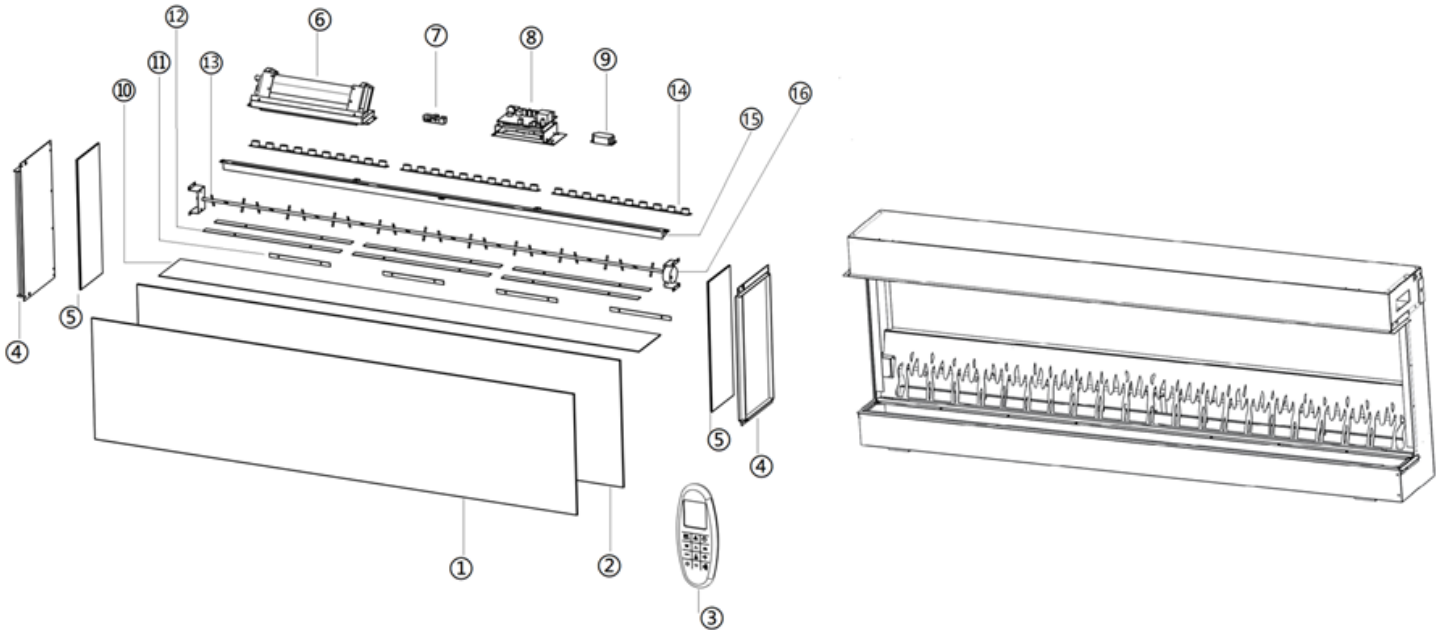


HUSSONG MANUFACTURING CO., INC.

P.O. BOX 557 204 INDUSTRIAL PARK DRIVE
LAKEFIELD, MINNESOTA USA 56150-0577

Replacement parts are available through your local dealer. Contact your local dealer for availability and pricing. The following warning is for replacement parts for this appliance.

⚠ WARNING: Cancer and Reproductive Harm - www.P65Warnings.ca.gov.



Osseo e50 Electric Fireplace - Replacement Parts					
1	Front Viewing Glass	OSE50-FVG	10	Ember Bed Floor Panel	OSE50-EFP
2	Flame Effect Screen	OSE50-FES	11	Ember Bed LED Strip	OSE50-EBS
3	Remote Control	OSE-REM	12	Floor LED Strip	OSE50-FLS
4	Side Block-Off Plate	OSE-SBP	13	Flame Flicker Spindle	OSE50-FFS
5	Side Viewing Glass	OSE-SVG	14	Flame LED Strip	OSE50-FLA
6	Fan Heating Assembly	OSE-FHA	15	LED Accent Down Light	OSE50-DLS
7	Wireless Remote Receiver	OSE-WRR	16	Flame Effect Motor	OSE-FEM
8	Main Control Board	OSE-MCB	17	Power Cord	OSE-POW
9	Speaker	OSE-SPE	18		

Osseo e64 Electric Fireplace - Replacement Parts

1	Front Viewing Glass	OSE64-FVG	10	Ember Bed Floor Panel	OSE64-EFP
2	Flame Effect Screen	OSE64-FES	11	Ember Bed LED Strip	OSE64-EBS
3	Remote Control	OSE-REM	12	Floor LED Strip	OSE64-FLS
4	Side Block-Off Plate	OSE-SBP	13	Flame Flicker Spindle	OSE64-FFS
5	Side Viewing Glass	OSE-SVG	14	Flame LED Strip	OSE64-FLA
6	Fan Heating Assembly	OSE-FHA	15	LED Accent Down Light	OSE64-DLS
7	Wireless Remote Receiver	OSE-WRR	16	Flame Effect Motor	OSE-FEM
8	Main Control Board	OSE-MCB	17	Power Cord	OSE-POW
9	Speaker	OSE-SPE	18		

Osseo e80 Electric Fireplace - Replacement Parts

1	Front Viewing Glass	OSE80-FVG	10	Ember Bed Floor Panel	OSE80-EFP
2	Flame Effect Screen	OSE80-FES	11	Ember Bed LED Strip	OSE80-EBS
3	Remote Control	OSE-REM	12	Floor LED Strip	OSE80-FLS
4	Side Block-Off Plate	OSE-SBP	13	Flame Flicker Spindle	OSE80-FFS
5	Side Viewing Glass	OSE-SVG	14	Flame LED Strip	OSE80-FLA
6	Fan Heating Assembly	OSE-FHA	15	LED Accent Down Light	OSE80-DLS
7	Wireless Remote Receiver	OSE-WRR	16	Flame Effect Motor	OSE-FEM
8	Main Control Board	OSE-MCB	17	Power Cord	OSE-POW
9	Speaker	OSE-SPE	18		

Osseo E-Series Optional Accessories

Osseo e50 Floating Mantel Kit - White	OSE50-FMK-W		Osseo e50 Rectangle Surround	OSE50-RS
Osseo e50 Floating Mantel Kit - Grey	OSE50-FMK-G		Osseo e64 Rectangle Surround	OSE64-RS
Osseo e64 Floating Mantel Kit - White	OSE64-FMK-W		Osseo e80 Rectangle Surround	OSE80-RS
Osseo e64 Floating Mantel Kit - Grey	OSE64-FMK-G		Osseo e50 Exterior Trim	OSE50-EXT
Osseo E Series Traditional Log Set	OSE-TLS		Osseo e64 Exterior Trim	OSE64-EXT
Osseo E Series Birch Log Set	OSE-BLS		Osseo e80 Exterior Trim	OSE80-EXT

Limited Lifetime Warranty

Warranty Coverage

- Hussong Manufacturing Company, Inc. (Hussong Mfg.) warrants this Kozy Heat electric appliance from the date of purchase to the original purchaser, that it is free of defects in materials and workmanship at the time of manufacture. Registering your fireplace warranty does not require any documents to be sent in to Hussong Mfg. Please retain your proof of purchase reflecting the date of purchase along with the serial number and model of your fireplace for any future warranty claims.

Warranty Conditions

- This warranty only covers Kozy Heat fireplaces that are purchased through a Kozy Heat authorized dealer or distributor. A list of Kozy Heat authorized dealers is available on the Kozy Heat website (www.kozyheat.com).

2 Year Limited Warranty

- Warranty coverage begins on the date of original purchase. In the case of new home construction, warranty coverage begins on the date of first occupancy of the dwelling or six months after the sale of the product by an independent, authorized Kozy Heat dealer/distributor, whichever occurs earlier. The warranty shall commence no later than 24 months of the occupancy date.
- Hussong Mfg. will warranty all parts for 2 years and labor reimbursement for 1 year, unless any exclusions apply.
- **Hussong Mfg. will issue labor reimbursement to an authorized dealer only. Hussong Mfg. will not be liable for charges occurred as a result of any service work performed by a non-authorized service provider, without pre-authorization.**

EXCLUSIONS AND LIMITATIONS

1. This appliance must be installed by a licensed, authorized service technician or contractor. It must be installed, operated and maintained at all times in accordance with the instructions in the owner's manual or the warranty is void.
2. This warranty is nontransferable and is made to the original purchaser only.
3. Changes in surface finishes as a result of normal operation. As a heating appliance, some changes in the color of interior and exterior surface finishes may occur. This is not a flaw and is not covered under warranty.
4. Damage to plated surfaces or accessories, if applicable, caused by scratches, fingerprints, melted items or other external sources left on the surfaces from the use of cleaners is not covered under this warranty.
5. Repair or replacement of parts that are subject to normal wear and tear during the 24 month warranty period. These parts include: paint, batteries, and discoloration of glass.
6. Damages resulting from: (1) failure to install, operate, or maintain the appliance in accordance with the installation instructions, operating instructions, and listing agent identification label furnished with the appliance; (2) shipping or improper handling; (3) improper operation, abuse, misuse, continued operation with damaged, corroded, or failed components, accident, or improperly/incorrectly performed repairs; (4) environmental conditions; (5) installation or use of components not supplied with the appliance or any other components not expressly authorized and approved by Hussong Mfg.; (6) modification of the appliance not expressly authorized and approved by Hussong Mfg. in writing; and/or (7) interruptions or fluctuations of electrical power supply to the appliance.
7. Hussong Mfg. may require the defective part to be returned using a pre-authorized RGA number or a photo of the defective component. Failure to provide either can result in a denied claim.
8. This warranty is void if: (1) the appliance is subject to, or operated in, atmospheres contaminated by chlorine, fluorine, or other damaging chemicals; (2) the appliance is subjected to, or operated in, places with prolonged periods of dampness or condensation or weather. Examples include but are not limited to outdoors, porches, and laundry rooms; and/or (3) there is any damage to the fireplace or other components due to water or weather damage.
9. It is expressly agreed and understood that this warranty is Hussong Mfg.'s sole obligation and purchaser's exclusive remedy for defective fireplace equipment. Hussong Mfg. is free of liability for any damages caused by this appliance, as well as inconvenience expenses and materials. Incidental or consequential damages are not covered by this warranty. In some states, the exclusion of incidental or consequential damage may not apply. Hussong Mfg. shall not be held to implied warranties and this warranty shall replace all previous warranties.
10. This warranty does not cover the appliances ability to heat a desired space, as there are many factors that can impact the heating performance in each home. Consideration should be implied to the appliance's location, room size, home design, environmental conditions, insulation, and tightness of the home.
11. Hussong Mfg. reserves the right to make changes at any time, without notice, in design, material, specifications, and prices. Hussong Mfg. reserves the right to discontinue models and products.