

# OSSEO eSERIES ELECTRIC FIREPLACES

e50 LINEAR | e64 LINEAR | e80 LINEAR



Panoramic Bay application Osseo e50 with orange flame, blue top light kit, white bottom light kit

QUALITY FIREPLACES FOR LIFE.

**KOZY**  **HEAT**  
FIREPLACES



Front Facing Osseo e50 with orange flame, purple top light, white bottom light kit with birch logs

## OSSEO eSERIES

Osseo Linear Optional Mantels



**Gray & White Options**

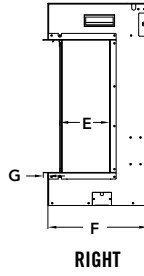
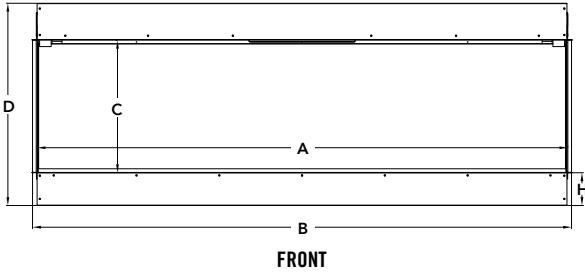
*Osseo e50 & e64 Only*

# OSSEO eSERIES

## Front Facing, Corner (Right or Left), and Panoramic Bay

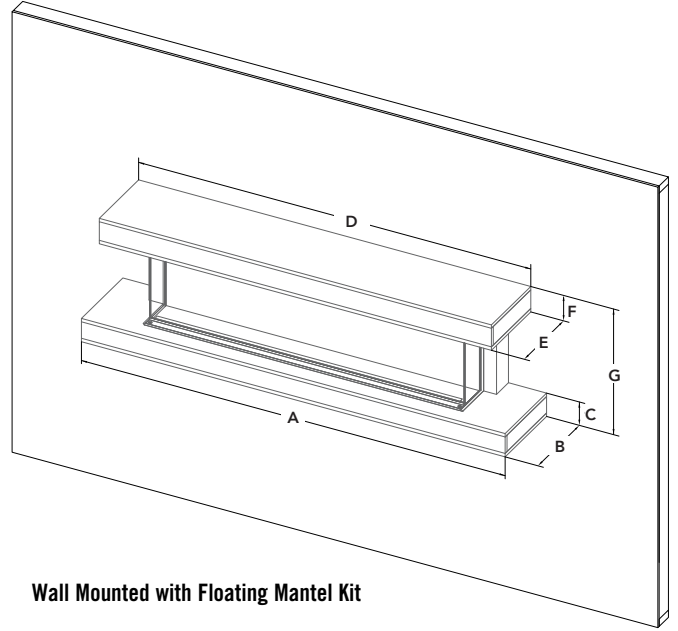
**PRODUCT DIMENSIONS**

Model	A	B	C	D	E	F	G	H
OSO-e50	49-1/4"	50-1/2"	15-7/8"	24"	5-5/8"	11-7/8"	1/2"	3-7/8"
OSO-e64	63"	64-1/4"	15-7/8"	24"	5-5/8"	11-7/8"	1/2"	3-7/8"
OSO-e80	78-3/4"	80"	15-7/8"	24"	5-5/8"	11-7/8"	1/2"	3-7/8"



**WALL MOUNTED MANTEL KIT DIMENSIONS**

Model	A	B	C	D	E	F	G
OS-e50	70-7/8"	15-3/4"	4-7/8"	64-1/2"	14-7/8"	5-1/4"	25-7/8"
OS-e64	84-1/2"	15-3/4"	4-7/8"	78-1/2"	14-7/8"	5-1/4"	25-7/8"



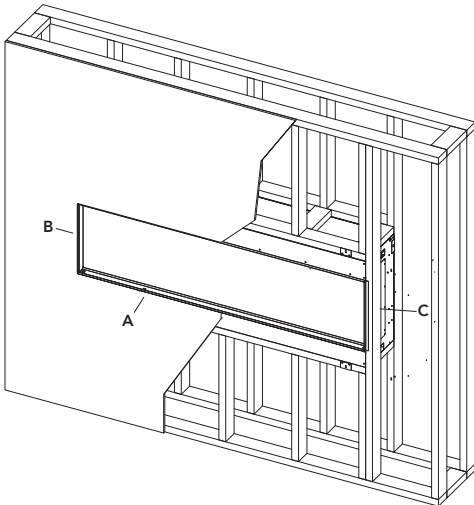
Wall Mounted with Floating Mantel Kit

**FRAMED OPENING DIMENSIONS**

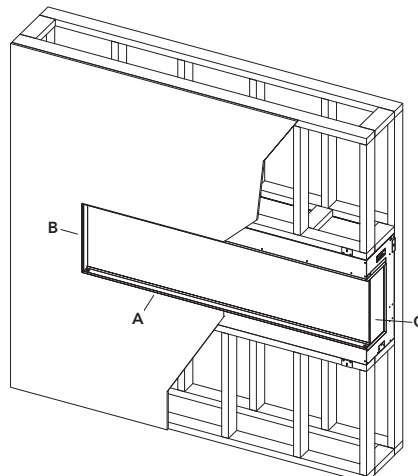
Model	A	B	C
OSO-e50	49-3/4"	24-1/2"	12-1/4"
OSO-e64	63-1/2"	24-1/2"	12-1/4"
OSO-e80	79-1/4"	24-1/2"	12-1/4"

**3 SIDED FRAMED OPENING DIMENSIONS**

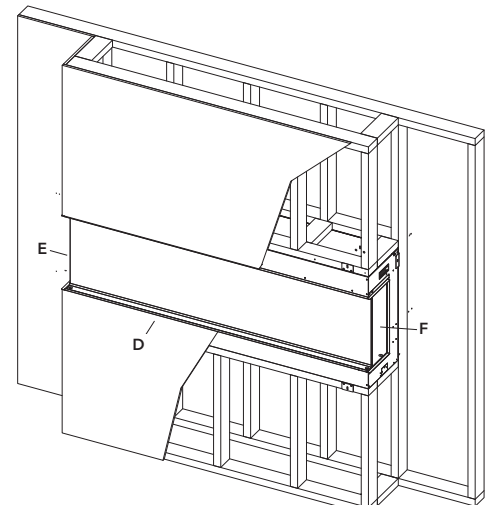
Model	D	E	F
OSO-e50	49-3/4"	24-1/2"	12-1/4"
OSO-e64	63-1/2"	24-1/2"	12-1/4"
OSO-e80	79-1/4"	24-1/2"	12-1/4"



Single Sided



Corner Application



Panoramic Bay

# OSSEO eSERIES

## Specifications

Model	Osseo e50	Osseo e64	Osseo e80
<b>Weight</b>	133 lbs.	156 lbs.	212 lbs.
<b>Viewing Area</b>	15-7/8" x 49-1/4"	15-7/8" x 63"	15-7/8" x 78-3/4"
<b>Heater</b>	750W / 1500W @ 120V   5,000 BTUs		
<b>Electrical</b>	Plug in or hardwired 120V with Energy Saving LED light kits		
<b>Light Kits</b>	Downlighting & Ember Bed Light Kit		
<b>Included Media</b>	Smoked Glass Crystals		
<b>Optional Log Sets</b>	12 pc. Traditional or Birch Log Sets		
<b>Multi-Function Remote Control</b>	Thermostat Control, Timer (30 Min. – 8 HR)		
<b>Multi-Design Options</b>	Front facing, Corner (Right or Left) and Panoramic Bay		
<b>Optional Fronts</b>	1 pc. Rectangle Surround, 4 pc. Exterior Trim Kit		
<b>Liner</b>	Reflective Glass Firebox Liner		
<b>Crackling Log Effect</b>	Hi / Med / Lo		

Features, Options & Specifications are subject to change.

Refer to the install manuals for complete installation requirements.

## Flame Options

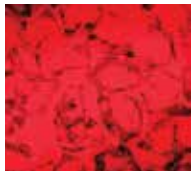
Ultra-realistic Flame Pattern: Amber, Orange, or Combination (5 Levels of Intensity)



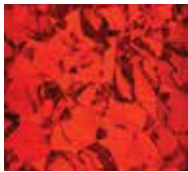
## Lighting Options

Downlight Accent Lighting: 7 Colors (5 Levels of Intensity) Glowing Ember Bed: 13 Colors (5 Levels of Intensity)

Variations in the color and tone are common in the printing process, therefore actual colors may vary slightly from those shown.



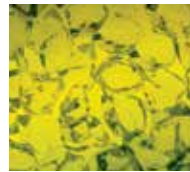
**Red**  
Ember Bed Light Kit  
and Downlighting Kit



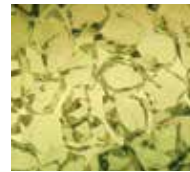
**Ember**  
Ember Bed Light Kit



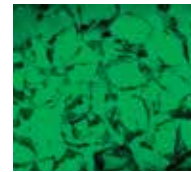
**Orange**  
Ember Bed Light Kit  
and Downlighting Kit



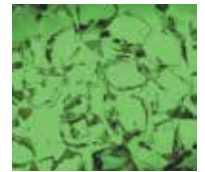
**Yellow**  
Ember Bed Light Kit  
and Downlighting Kit



**Light Yellow**  
Ember Bed Light Kit  
and Downlighting Kit



**Green**  
Ember Bed Light Kit



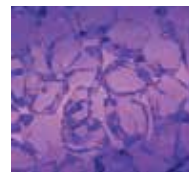
**Light Green**  
Ember Bed Light Kit



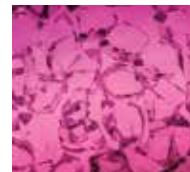
**Sea Breeze**  
Ember Bed Light Kit



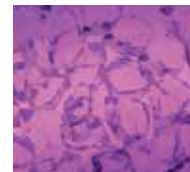
**Blue**  
Ember Bed Light Kit  
and Downlighting Kit



**Purple**  
Ember Bed Light Kit  
and Downlighting Kit



**Pink**  
Ember Bed Light Kit



**Magenta**  
Ember Bed Light Kit



**White**  
Ember Bed Light Kit

## Clearances

Model	Osseo e 50/64/80
<b>Bottom of Appliance</b>	0"
<b>Left and Right Sides of Appliance</b>	0"
<b>Back of Appliance</b>	0"
<b>Top Finishing Edge to 12" Mantel</b>	0"
<b>Bottom Finishing Edge to Unlimited Hearth</b>	0"
<b>Combustible material in front of glass viewing area</b>	36"

## Burn Videos



Osseo E 50  
Birch



Osseo E 50  
Traditional

In order to continually provide the highest quality product available, features/options, specifications & dimensions are subject to change. Refer to the unit installation manual for complete installation instructions. Installation must conform with local building codes. In some regions it may be possible that this appliance qualifies for an energy rebate. See your local dealer for details regarding promotions and qualifications.

Hussong Mfg. Co., Inc.  
204 Industrial Park Road, Lakefield, MN 56150  
Phone 1-800-253-4904 www.kozyheat.com 11-23



Product Line:



For complete information on the Kozy Heat product line, please contact us at:

FOR CALIFORNIA RESIDENTS ONLY  
⚠ California Proposition 65 Warning  
WARNING: Cancer and Reproductive Harm - www.P65Warnings.ca.gov.