

URBANA

LUXURY FIREPLACES

U33IT

Double sided Glass Installation kit

50-4170



WARNING: If the information in this manual is not followed exactly, a fire or explosion may result causing property damage, personal injury or loss of life. Installation and service must be performed by a qualified installer, service agency or the gas supplier.

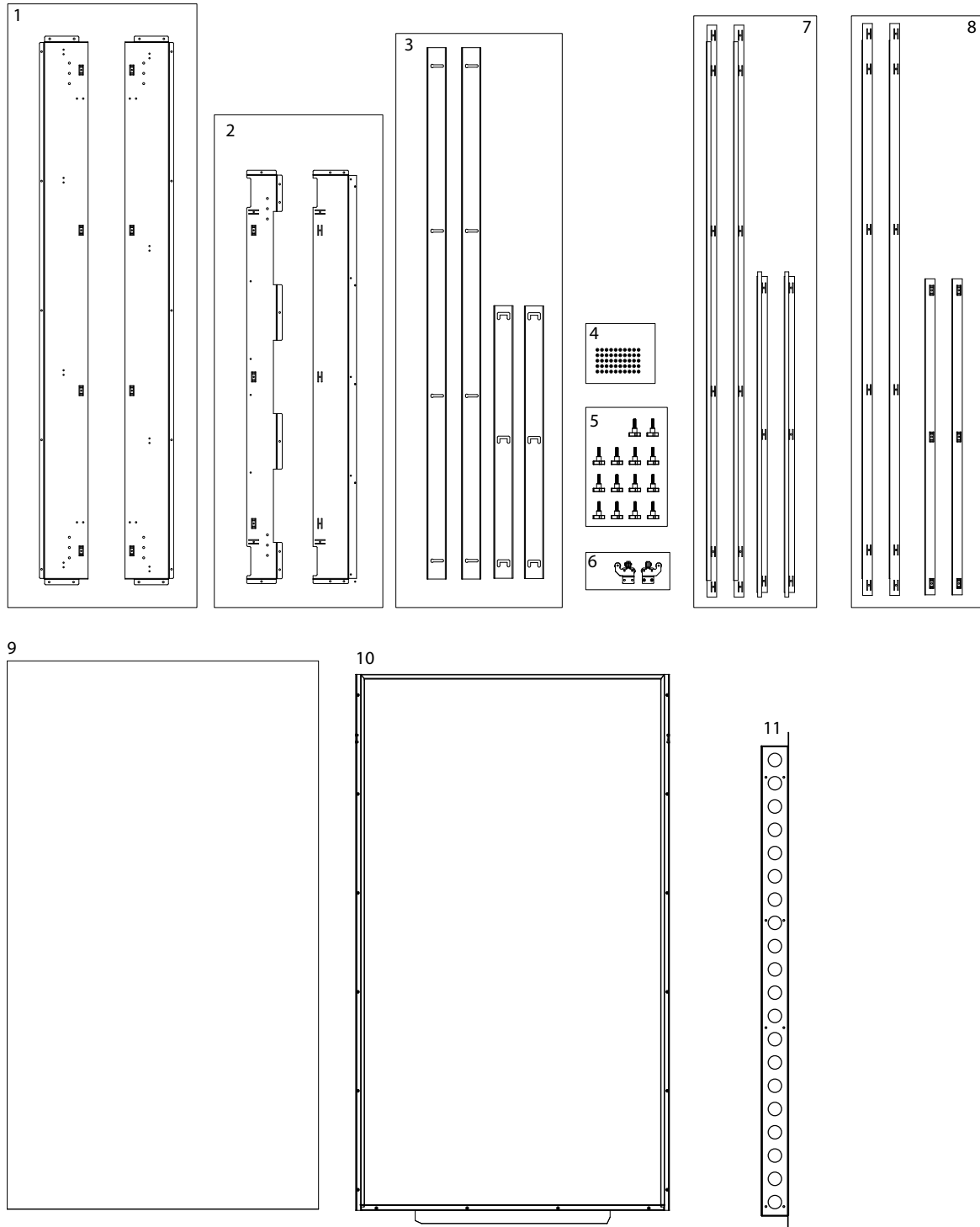
Intertek
C#4001609

CERTIFIED TO: ANSI Z21.88 / CSA 2.33 VENTED GAS FIREPLACE HEATERS
CSA 2.17 GAS FIRED APPLIANCES FOR HIGH ALTITUDES

C-16861

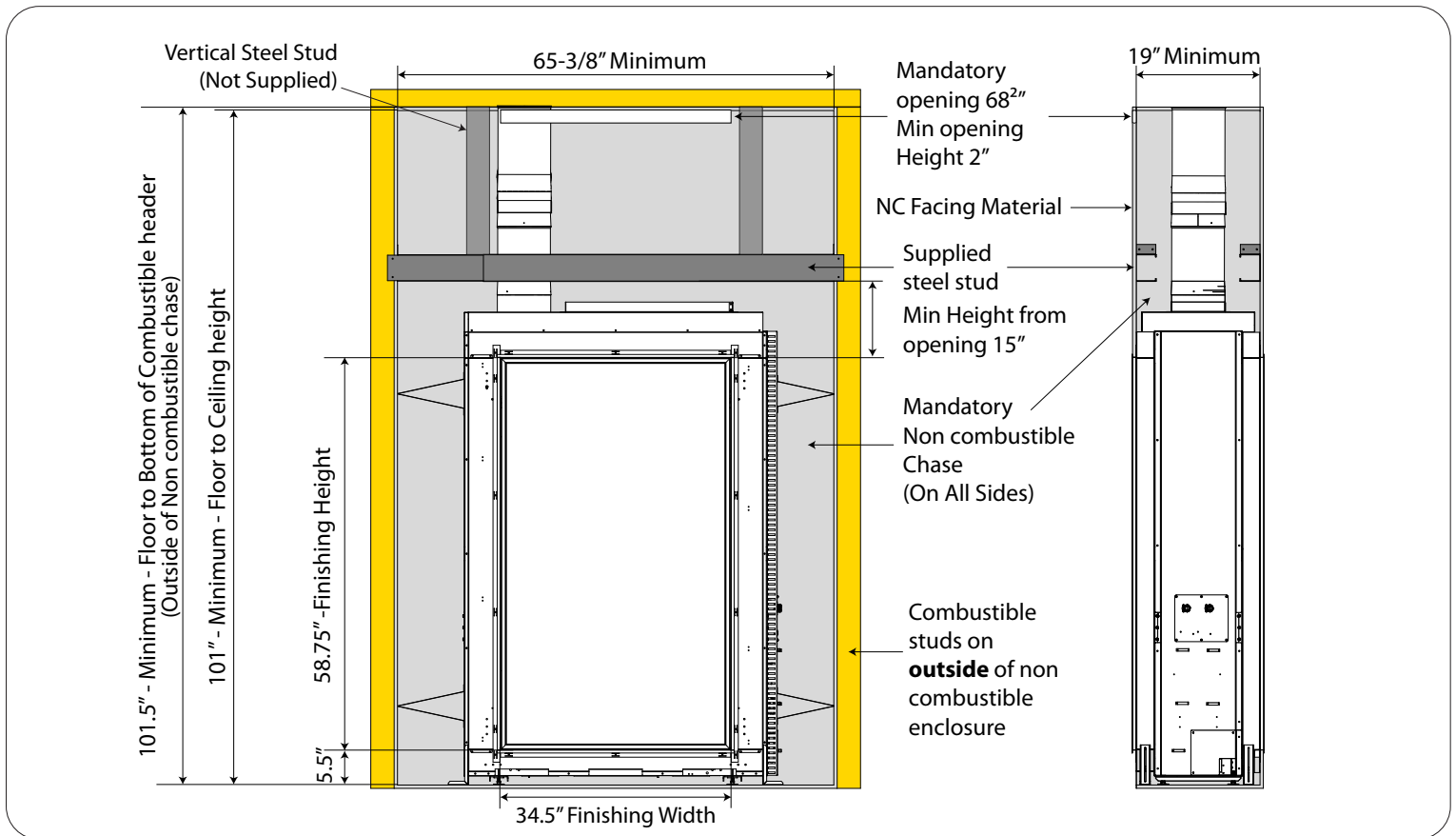
Contents

Kit Contents.....	3
Framing and Installation	5
Rear Liner Removal	6
Rear Liner Removal	7
Liner Pocket - Clamp Removal	9
Liner Pocket Removal	10
Glass Bumper Install	11
Glass Clamps Install	12
Glass Install	13
Framing Pocket install	14
Screen Install.....	16



KIT CONTENTS			
1) VERTICAL GLASS POCKETS	2) TOP (RIGHT) & BOTTOM (LEFT) GLASS POCKET	3) GLASS CLAMPS	4) T20 FASTENERS
5) HAND KNOBS	6) LEFT & RIGHT GLASS BUMPERS	7) TILING TRIM	8) CLEAN EDGE TRIM
9) GLASS	10) SAFETY SCREEN ASSEMBLY	11) STEEL STUD	

Double Sided - Minimum Framing Clearances



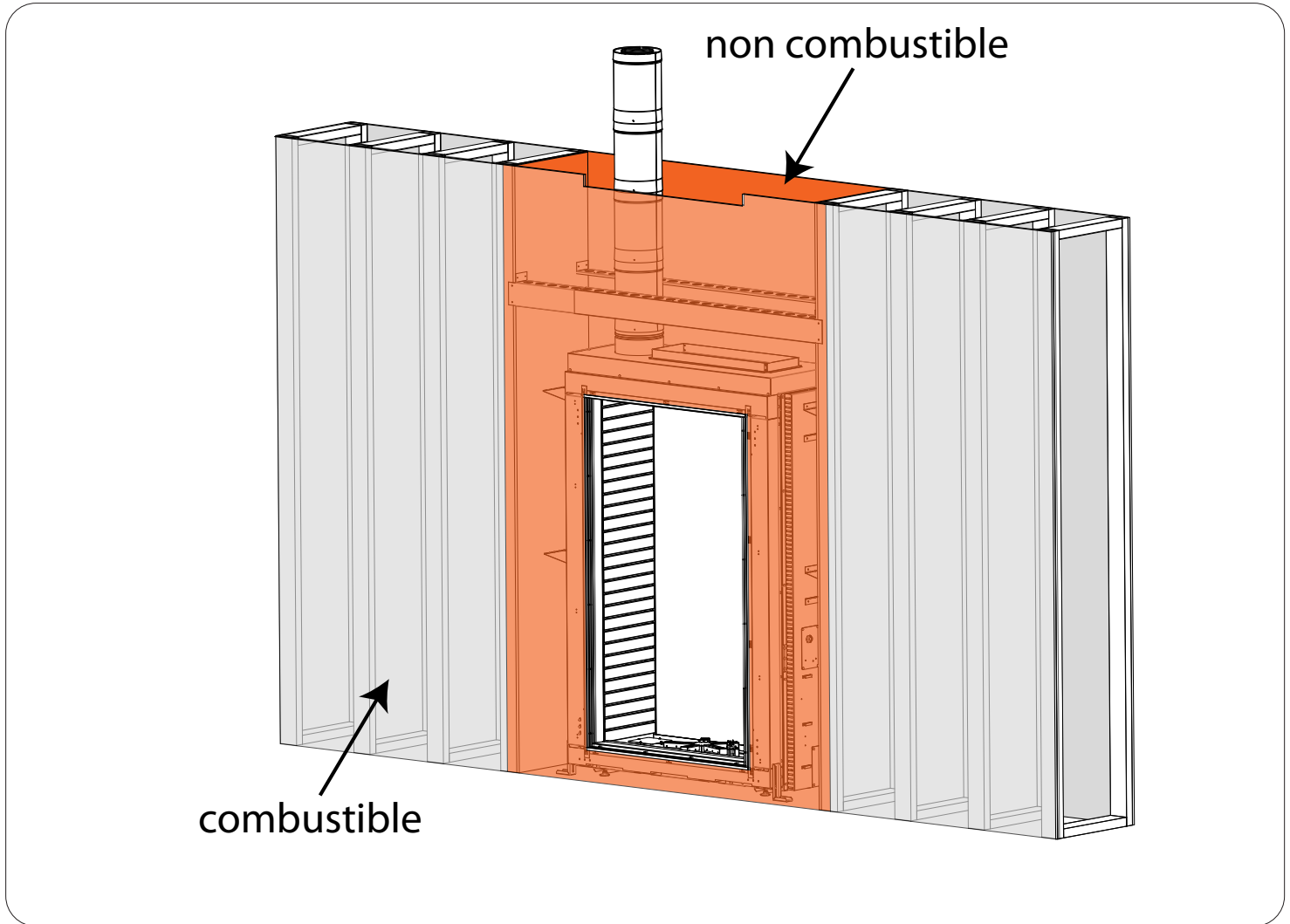
Minimum Framing Clearances

THE U33I-T REQUIRES A FULL NON COMBUSTIBLE CHASE ON ALL SIDES.

NOTES:

- Combustible material Cannot Be used inside the chase.
- Chase may be framed beyond minimum framing for taller ceilings, overhangs etc.
- Chase cannot be open to joists or rafters above.
- Chase heat release(s) must be at least 60" (152 cm) away from the nearest fire sprinkler head.
- The fireplace is not load bearing so the chase must be constructed to fully support finishing materials.
- A larger chase will always breathe more efficiently maintaining cooler surface temperatures.
- No intake air gap is required.
- U33I-T is not permitted for a recess in the chase.

Double Sided Install



Double Sided Minimum Framing Clearances

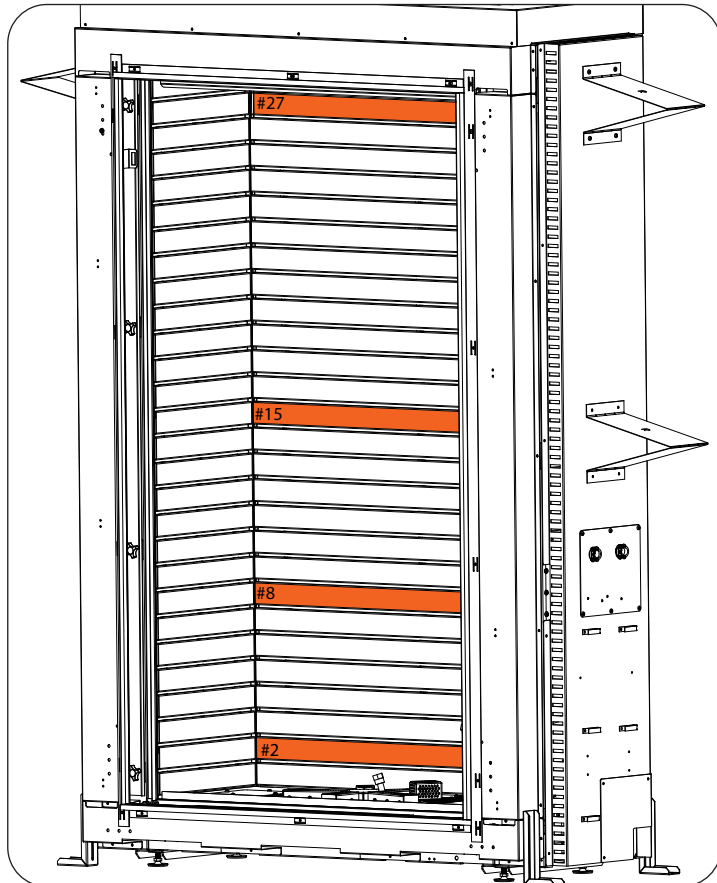
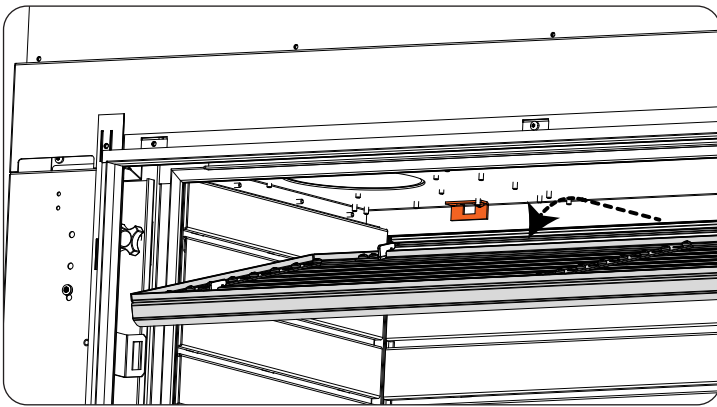
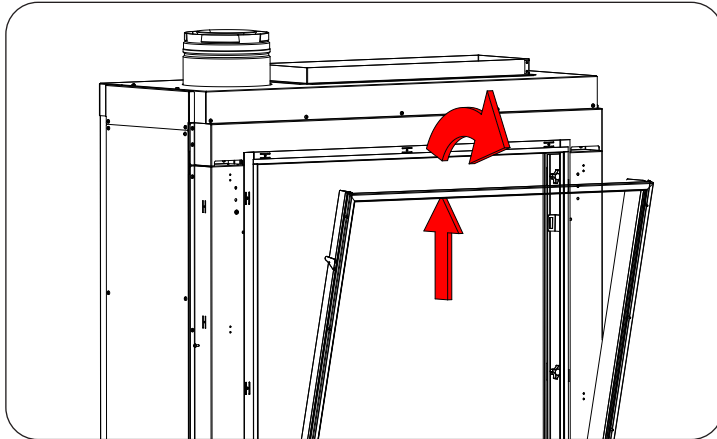
- Framing Clearances and dimensions for double sided are the same as single sided.
- You will still require Mandatory opening of 68 square inch open on 1 side.
- The double sided installation still requires a completely non combustible chase on all sides.
- This unit cannot be positioned on an outside wall, or be used for an external Viewing window.

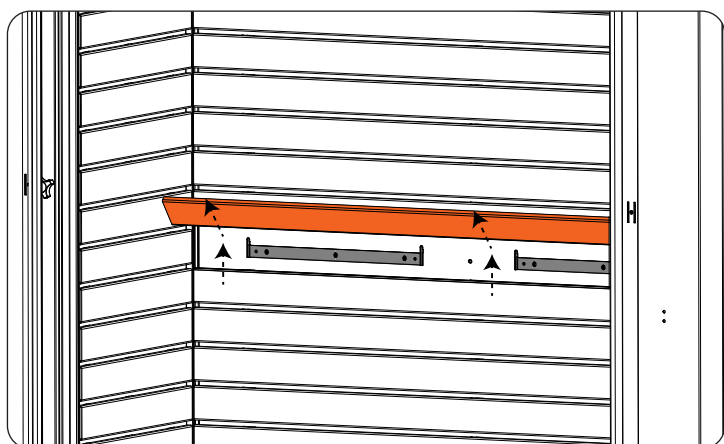
The Rear of the firebox needs to be removed from the unit. This is a heavy item so it is recommended to remove the rear liners first before attempting to remove the rear of the firebox to do this;

1. Remove Safety Screen, Lift up the frame of the screen and pull the screen towards you.
2. Remove glass, undo the glass clamps and slide clamps out of the way.

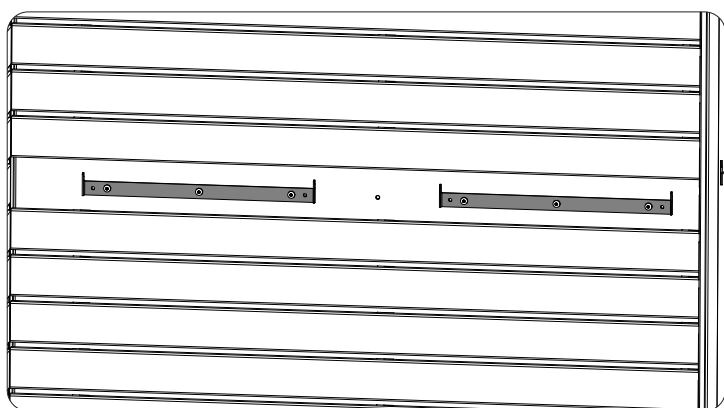
3. Remove the baffle.
lift up the baffle and pull towards you. Lifting the baffle off the hooks.

4. the Rear liner has 4 removable panels.
The left image shows which panels are removable.

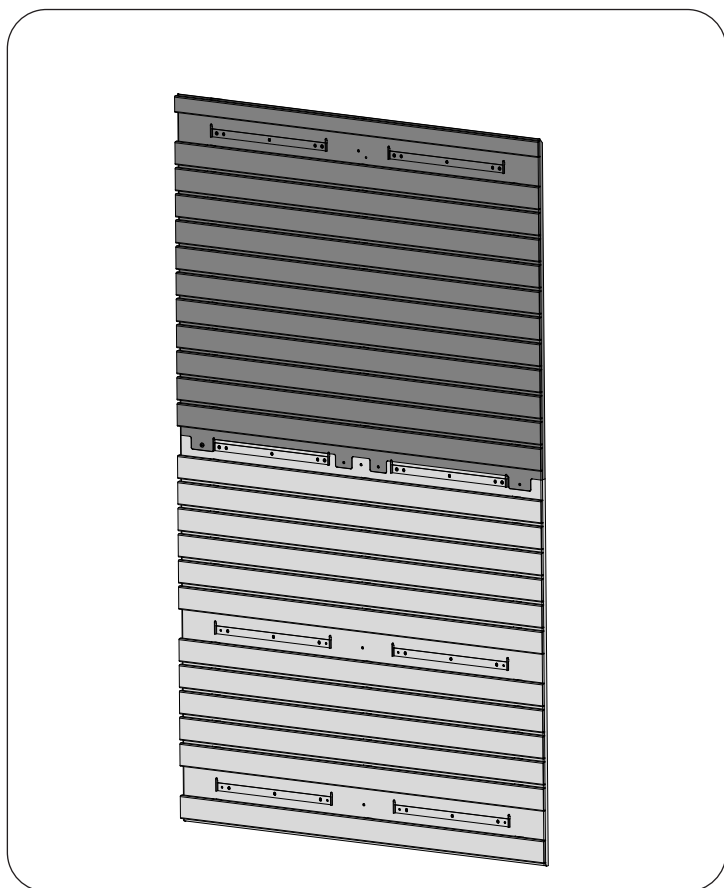




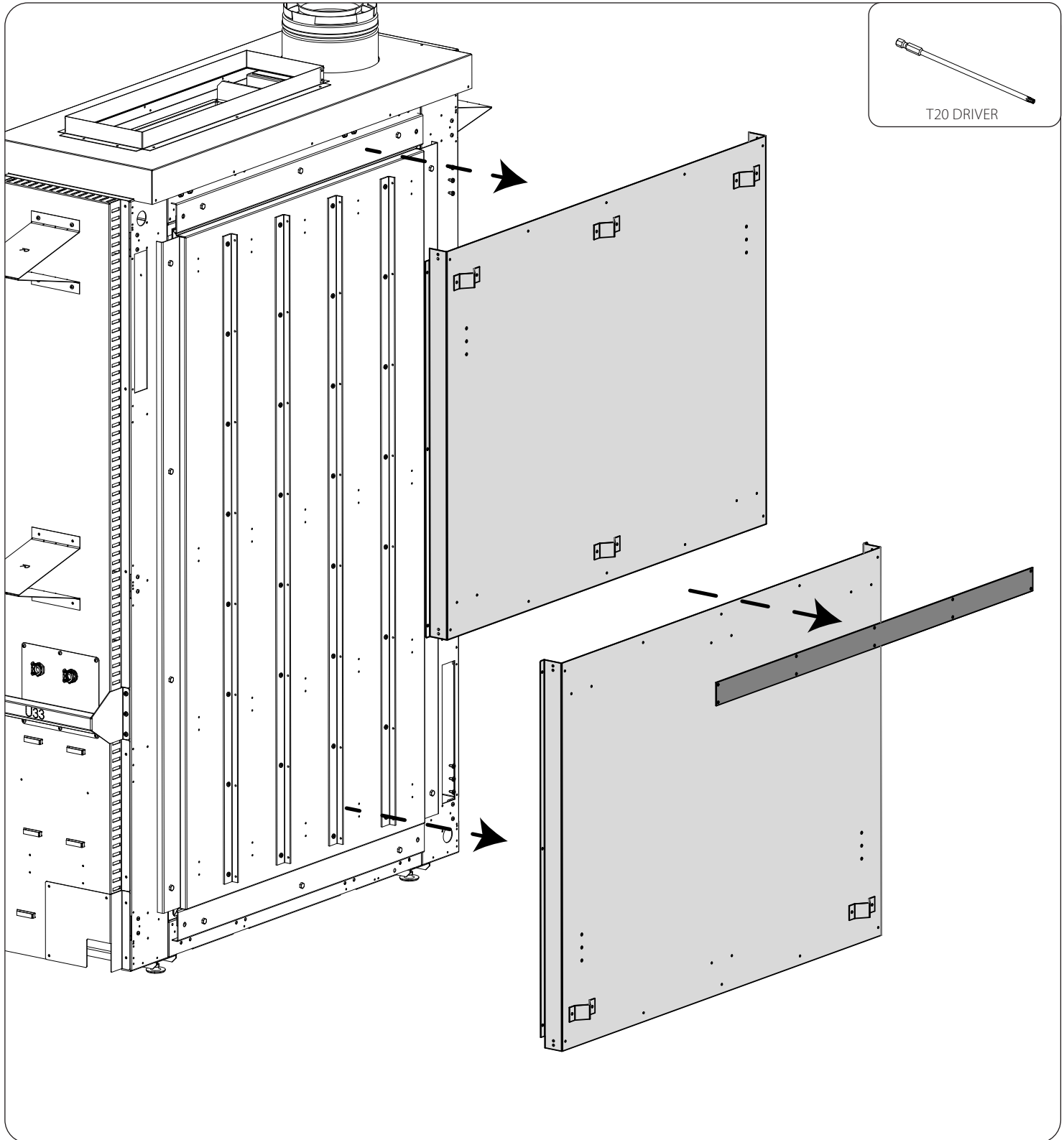
5. The removable liners are held on with hooks. To remove, locate the correct panel, slide the liner up and then remove from firebox. A screwdriver may be required to gently slide the panel up.



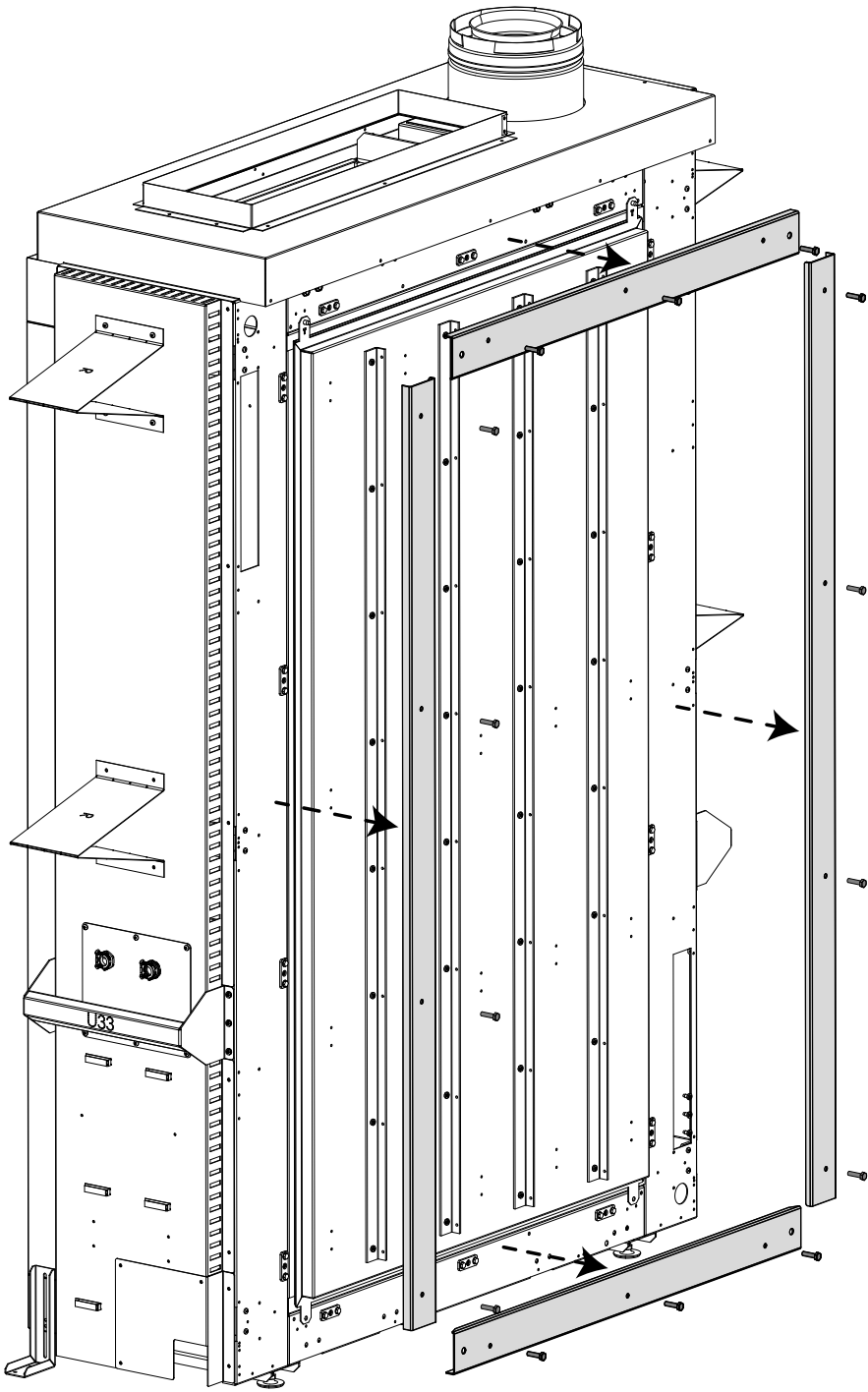
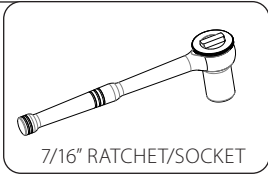
6. Behind the removable panel you will see T20 fasteners, remove these screw to release the liner from the firebox. You will need to do this at each removable panel location.



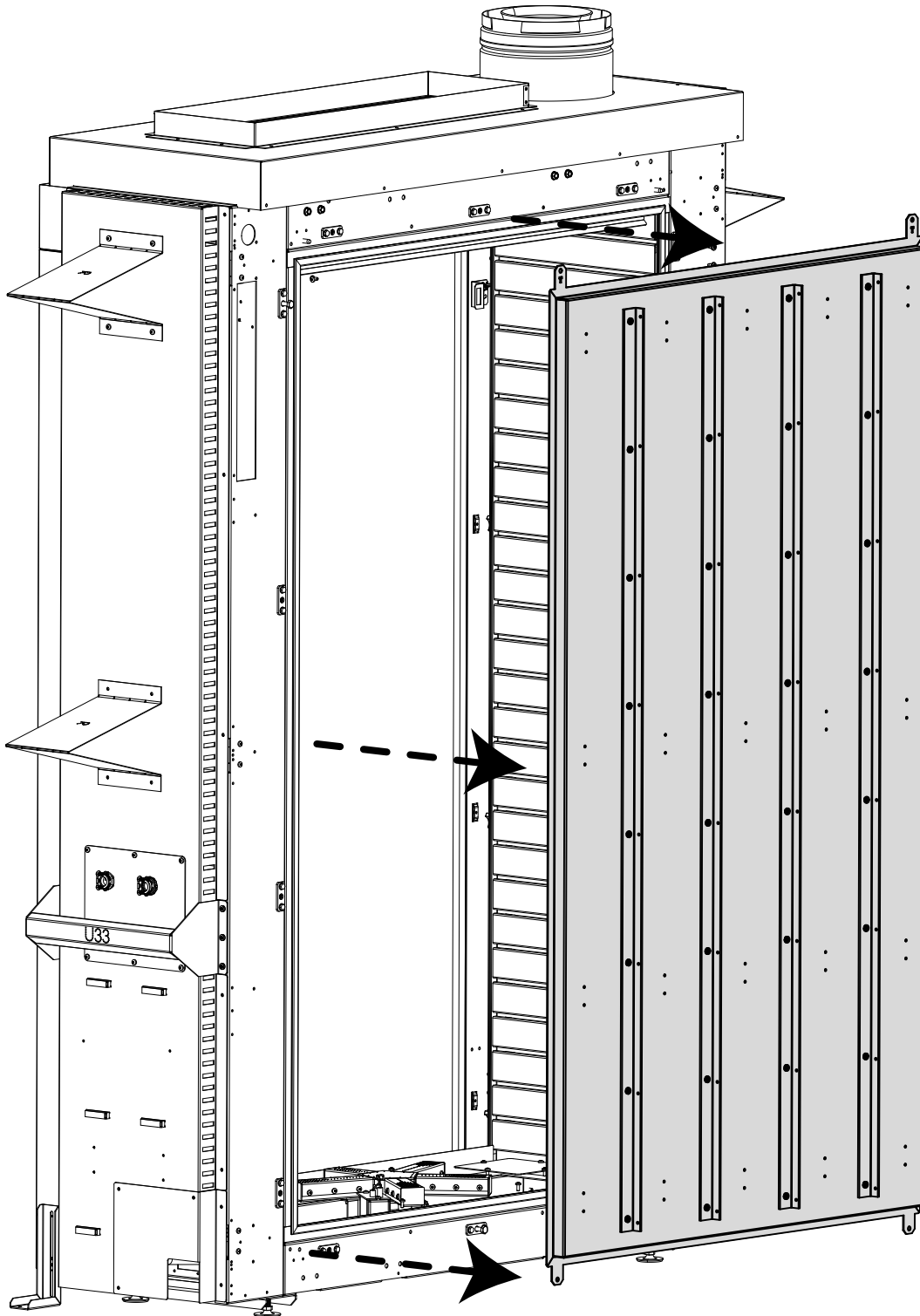
7. The rear liner is constructed from 2 pieces an upper and a lower. After removing the individual removable panels, remove the T20 screws holding in the top liner panel. Then top panel can then be removed from the unit. Repeat removal of screws for the lower panel.



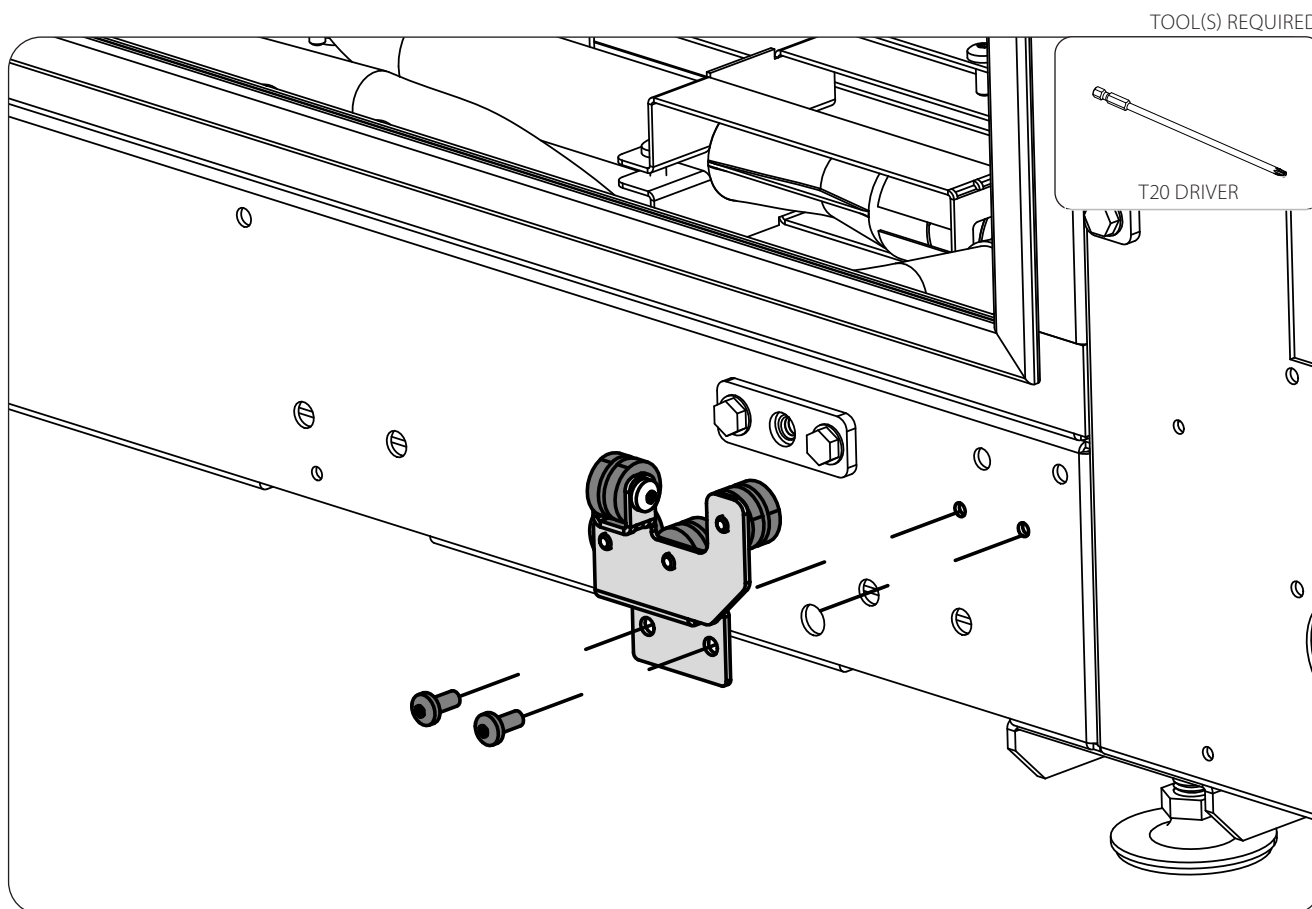
8. On the rear of the unit, remove the upper and lower back cabinet, use a T20 driver to remove the fasteners.



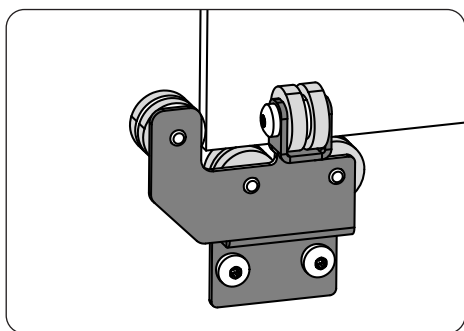
9. Using a 7/16" socket, remove the liner clamps.



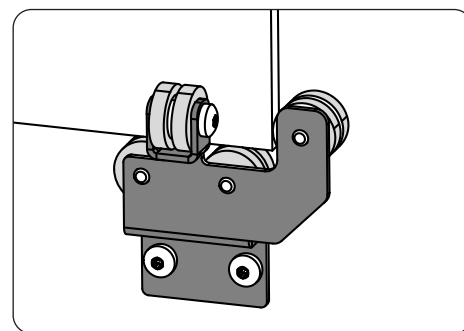
10. lift off and remove rear liner pocket.



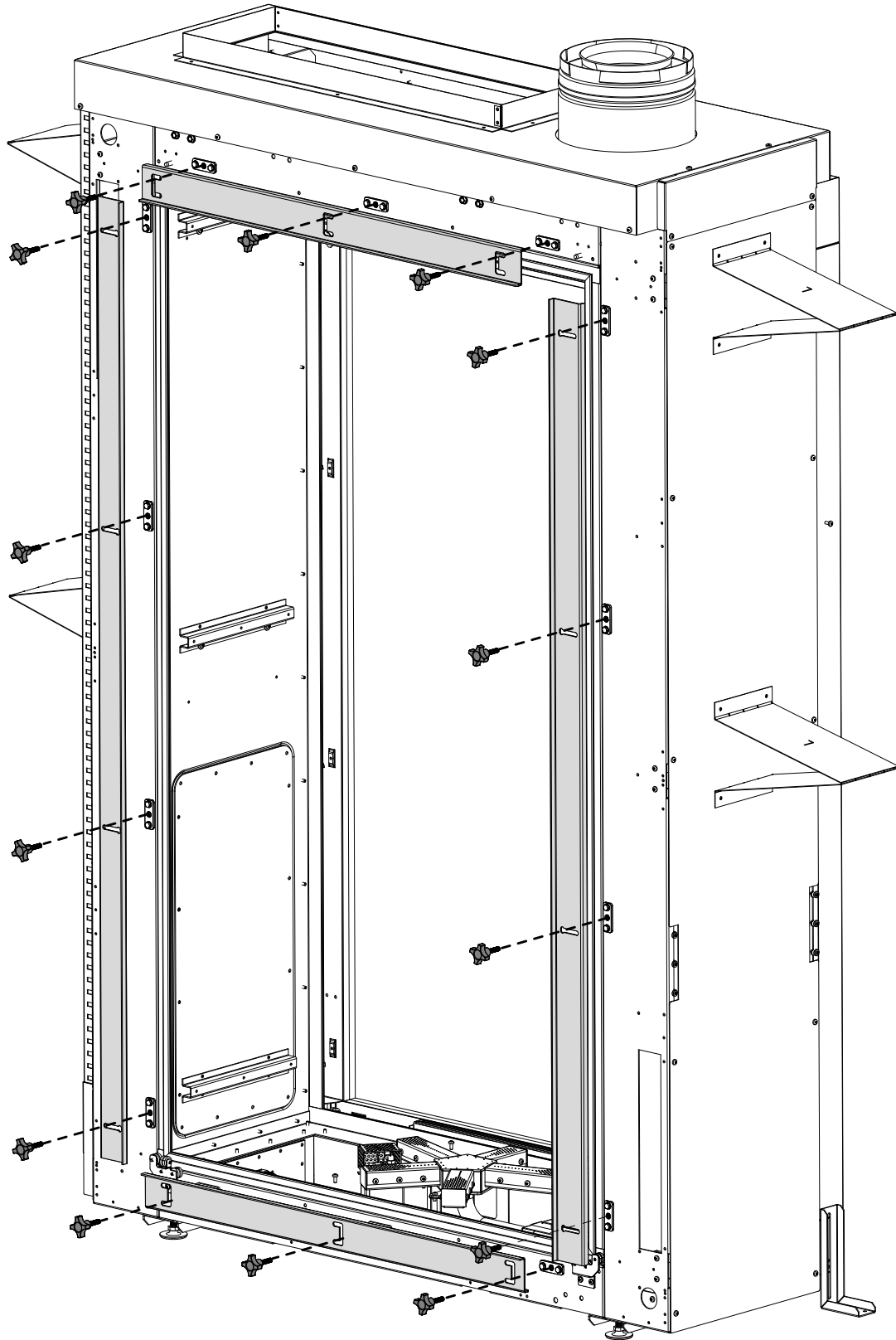
11. Install the left and right Glass bumpers at the bottom of the unit. Ensure the correct assembly is installed on the correct side. Use the T-20 Fasteners provided to install onto the unit.



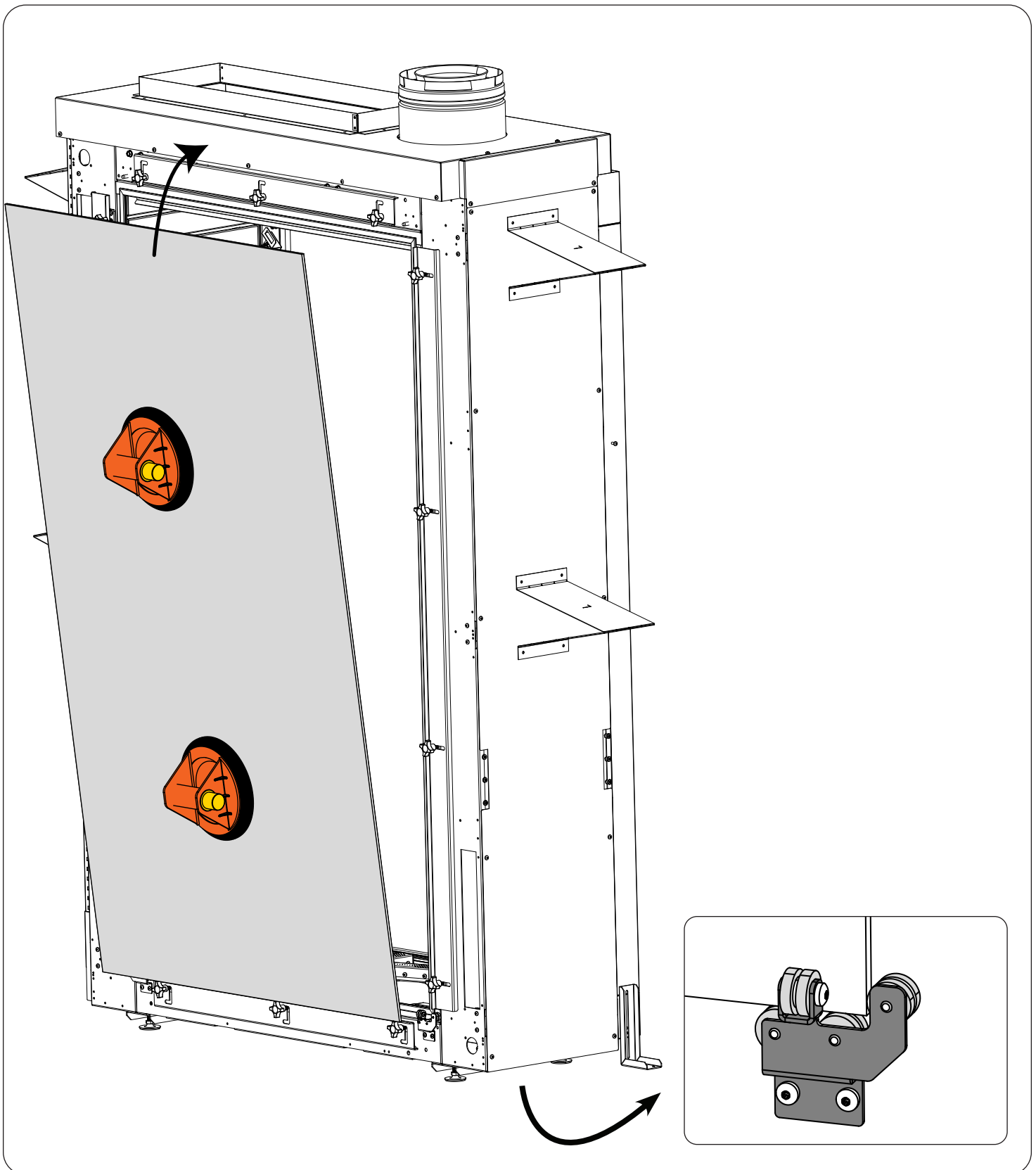
left glass clamp



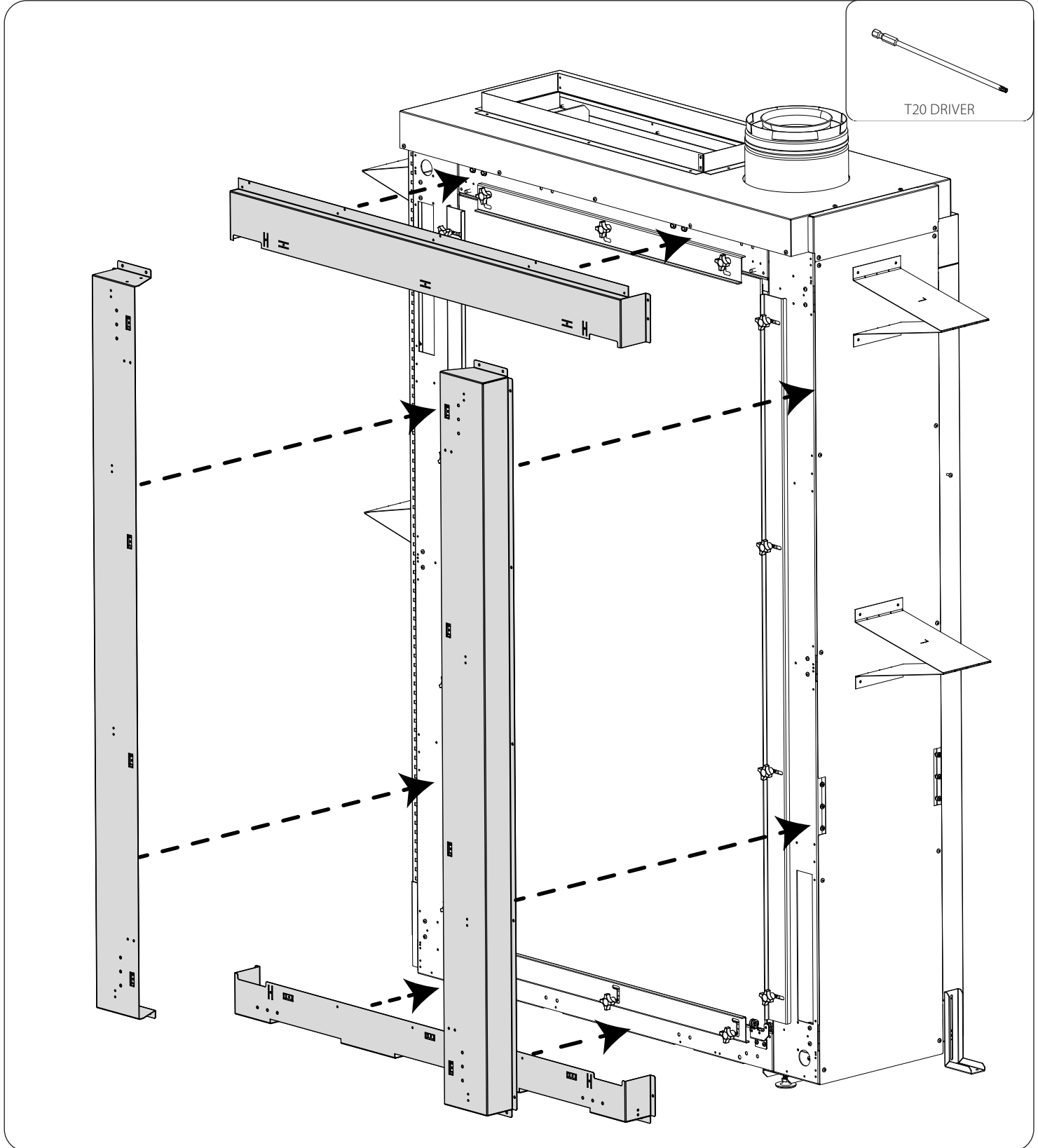
Right glass clamp



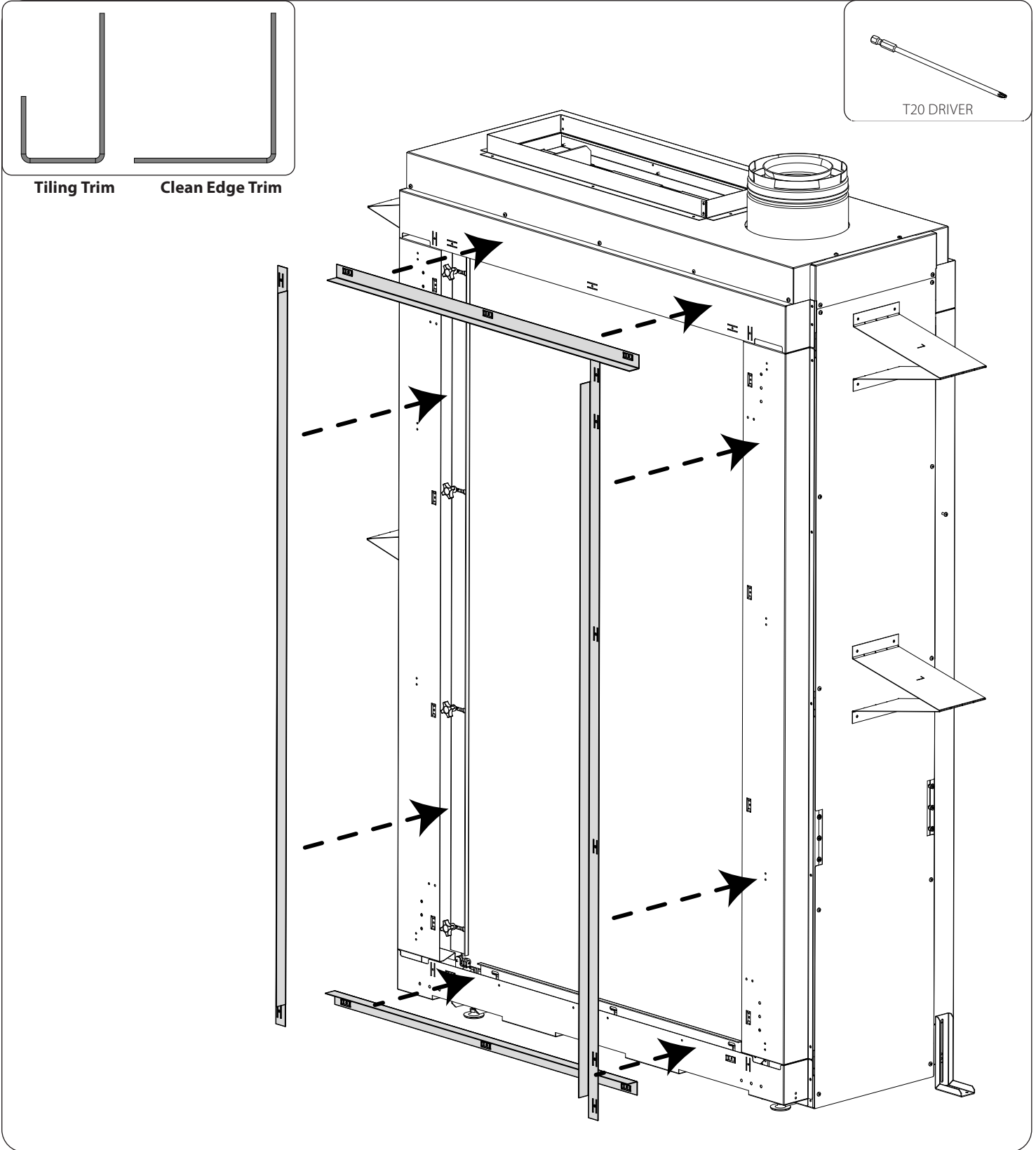
12. Install the 4 glass clamps. Make sure that the braided gasket will be touching the glass and not steel. use the provided handknobs. Keep the clamps loose and move the clamps out of the way to ensure the easy install of the glass.



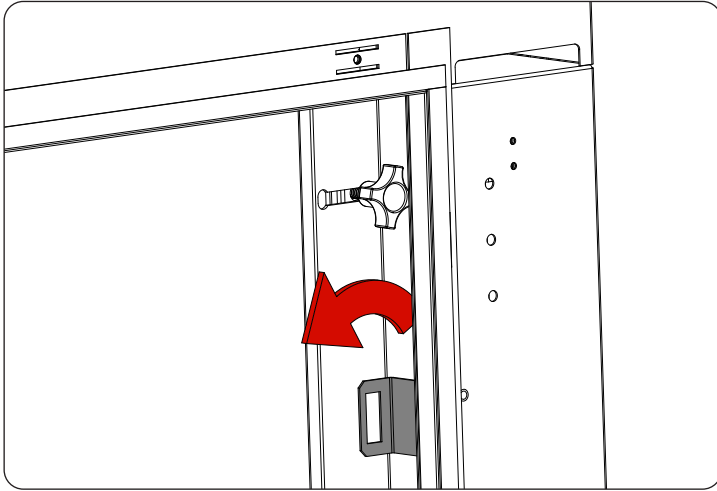
13. Use Suction cups to install the glass. Make sure the glass is sitting inside the rubber bumpers as shown in the image above.
once installed, use the previously installed glass clamps to securely hold the glass in place.



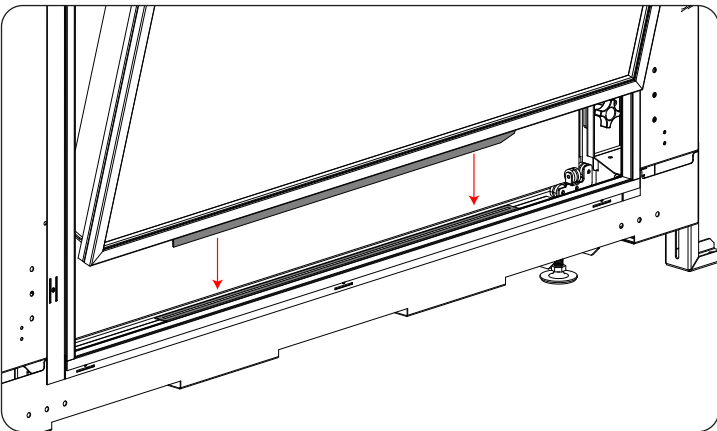
14. Install framing pockets to the front of the unit, using T20 fasteners. Ensure that the screen catches on the inside of the vertical pockets are situated towards the top of the unit.



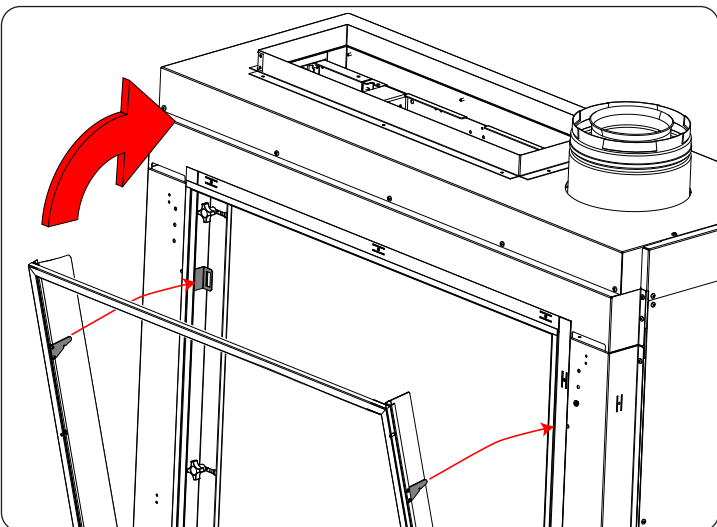
15. Choose either the clean edge trim, or the tiling edge trim and fasten to the front of the unit.



16. Rotate screen hooks on the inside of the cabinet into place. Do this on both sides.



17. Locate the bottom of the screen into the open slot in the bottom of the cabinet.



18. Rotate the top of the screen back towards the fireplace until the screen is hooked into place.

MANUFACTURED BY:
SHERWOOD INDUSTRIES LTD.
6782 OLDFIELD RD. SAANICHTON, BC, CANADA V8M 2A3
www.urbanfireplaces.com
November 2023
C-16706