

LISTED: UL 1482 - 2011, UL 737 - 2011, ULC-S627 - 2000, SOLID FUEL TYPE ROOM HEATERS

ROSA REVERSE UL-C
ROSA SINISTRA REVERSE UL-C
ROSA UL-C

INSTALLATION AND OPERATING INSTRUCTIONS

SAFETY INFORMATION

 **WARNING**

PLEASE READ ENTIRE MANUAL BEFORE YOU INSTALL AND USE YOUR NEW APPLIANCE.

If this appliance is not properly installed, a house fire may result. To reduce the risk of fire, follow the installation instructions. Failure to follow instructions may result in property damage, bodily injury, or even death.

- **AUTHORITIES HAVING JURISDICTION (SUCH AS MUNICIPAL BUILDING DEPARTMENT, FIRE DEPARTMENT, FIRE PREVENTION BUREAU, ETC.) SHOULD BE CONSULTED BEFORE INSTALLATION TO DETERMINE THE NEED TO OBTAIN A PERMIT.**
- **HOT WHILE IN OPERATION. KEEP CHILDREN, CLOTHING AND FURNITURE AWAY. CONTACT MAY CAUSE SKIN BURNS.**
- Do not use an elevated grate or otherwise raise the fire.
- Do not use chemicals or fluids to start the fire - do not burn garbage or flammable fluids
- Do not connect to any air distribution duct or system
- Do not burn lawn clippings / waste, rubber, waste petroleum products, paints or paint thinners / solvents, plastic, materials containing asbestos, construction debris, railroad ties, manure or animal remains, salt water driftwood or salted materials, unseasoned wood, coloured paper, cardboard, plywood or particleboard. Burning these materials may result in release of toxic fumes or render the appliance ineffective and cause smoke.

INSTALLER: LEAVE THIS MANUAL WITH THE APPLIANCE.

CONSUMER: SAVE THESE INSTRUCTIONS.

NEVER LEAVE CHILDREN OR OTHER AT RISK INDIVIDUALS ALONE WITH THE APPLIANCE.

 **WARNING**



HOT GLASS WILL CAUSE BURNS.

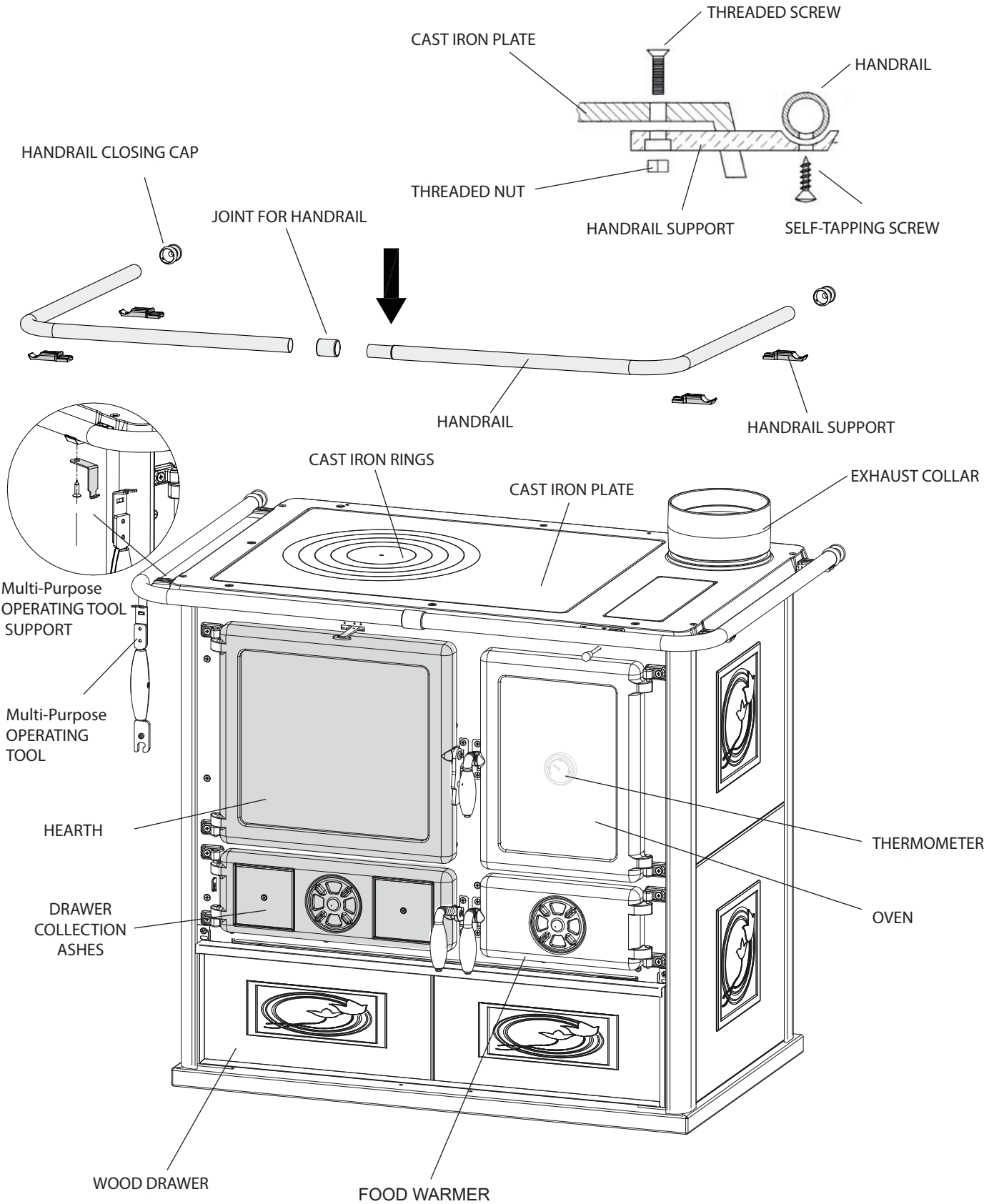
DO NOT TOUCH GLASS UNTIL COOLED.

NEVER ALLOW CHILDREN TO TOUCH GLASS.

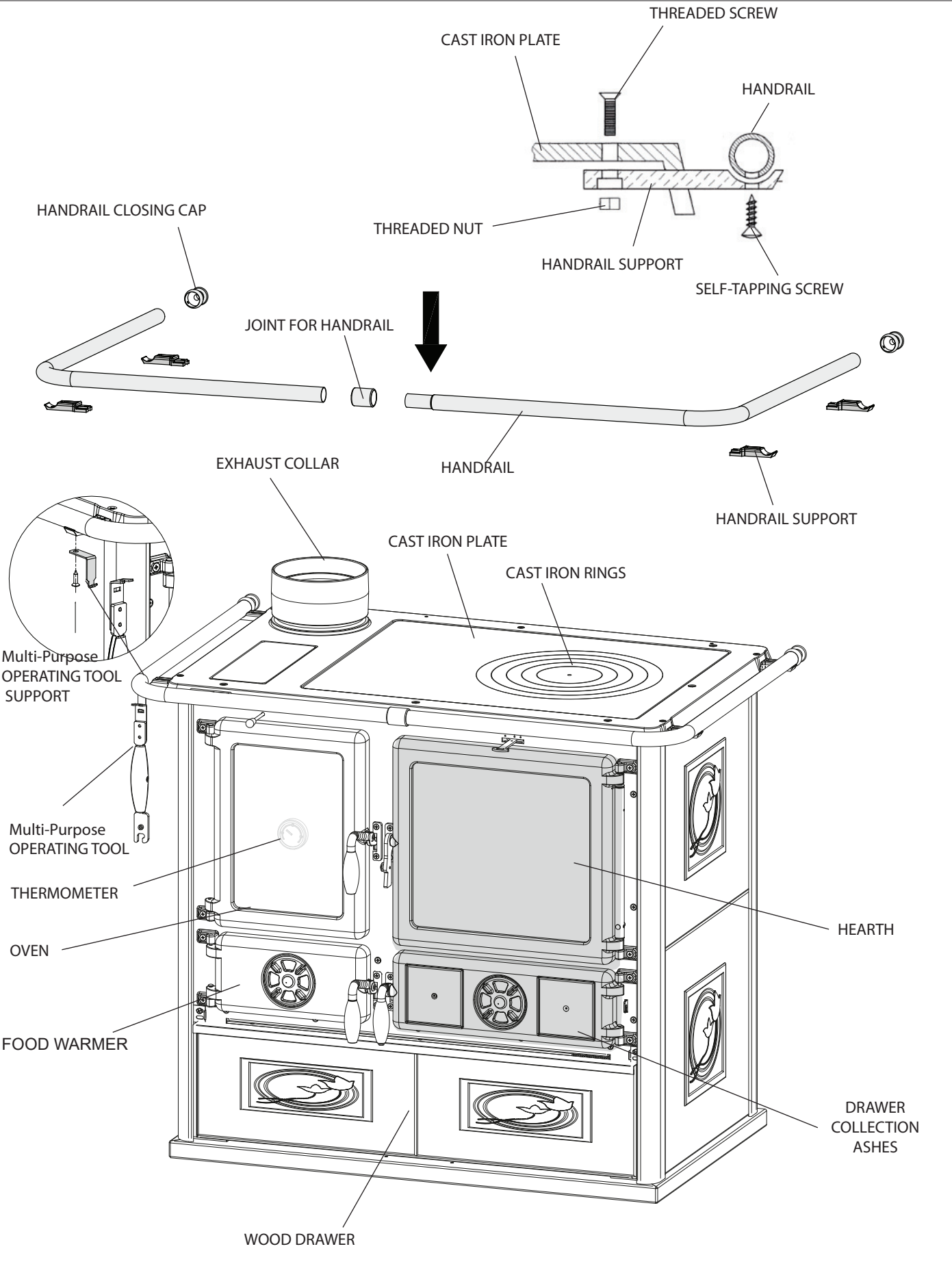
1.0 INSTALLATION OVERVIEW	4
1.1 ROSA REVERSE UL-C	4
1.2 ROSA SINISTRA REVERSE UL-C	5
1.3 ROSA UL-C	6
2.0 INTRODUCTION	7
2.1 DIMENSIONS	8
2.2 SPECIFICATIONS	12
2.2.1 HEATING SPECIFICATIONS	12
2.2.2 CALCULATION OF THE THERMAL POWER	12
2.3 GENERAL INSTRUCTIONS	13
2.4 GENERAL INFORMATION	14
2.4.1 ALLOWED FUELS SPECIFICATIONS	14
2.4.2 DISPOSAL OF ASHES	15
2.5 FIRE SAFETY	15
2.5.1 NOTES FOR PROPER OPERATION	15
2.5.2 IN A EMERGENCY	15
3.0 INSTALLATION PLANNING	16
3.1 APPLIANCE MINIMUM CLEARANCE TO COMBUSTIBLES	16
3.1.1 STRAIGHT INSTALLATION	17
3.1.2 FLOOR PROTECTION INSTALLATION REQUIREMENTS	17
3.2 THE CHIMNEY	18
3.2.1 CHIMNEY CONNECTOR	18
3.2.2 CHIMNEY AND CHIMNEY CONNECTOR MAINTENANCE	18
3.2.3 MINIMUM INSIDE VERTICAL CLEARANCES	19
3.2.4 CLASS A CHIMNEY RETROFIT	19
3.2.5 MINIMUM INSIDE VERTICAL CLEARANCES	20
3.2.6 CLASS A CHIMNEY RETROFIT	20
3.2.7 CHIMNEY CONNECTOR SYSTEM AND CLEARANCE FROM COMBUSTIBLE WALLS RESIDENTIAL HEATHING APPLIANCES	21
3.3 VENTILATION AND AERATION OF THE INSTALLATION PREMISES	22
4.0 - ROSA REVERSE UL-C	23
5.0 - ROSA SINISTRA REVERSE UL-C	23
6.0 TECHNICAL DESCRIPTION	24
6.1 ACCESSORIES	24
6.2 COOKER CONTROLS	24
6.2.1 TO IGNITE THE FLAME	25
6.2.2 ROSA REVERSE UL-C - HOW TO SET THE MACHINE TO BOIL WATER	25
6.2.3 ROSA REVERSE UL-C - HOW TO SET THE MACHINE TO COOK BISCUITS	25
6.2.4 ROSA SINISTRA REVERSE UL-C - HOW TO SET THE MACHINE TO BOIL WATER	25
6.2.5 ROSA SINISTRA REVERSE UL-C - HOW TO SET THE MACHINE TO COOK BISCUITS	25
7.0 - ROSA UL-C	26
7.1 TECHNICAL DESCRIPTION	26
7.2 ACCESSORIES	26
7.3 COOKER CONTROLS	27
7.3.1 TO IGNITE THE FLAME	27
7.3.2 HOW TO SET THE MACHINE TO BOIL WATER	27
7.3.3 HOW TO SET THE MACHINE TO COOK BISCUITS	27
8.0 IGNITION	28
8.1 FIRST IGNITION	28
8.1.1 LOW EMISSION FIRE LIGHTING	29
8.1.2 FIRE STARTER MODULE	29
8.2 NORMAL OPERATION	30
8.2.1 USE OF THE OVEN	30
8.2.2 OPERATION IN TRANSITION PERIODS	30
9.0 MAINTENANCE AND CARE	31
9.1 PERIODIC MAINTENANCE UNDER USER'S RESPONSIBILITY	31
9.1.1 GLASS CLEANING	31
9.1.2 BROKEN GLASS REPLACEMENT	32
9.1.3 DIMENSIONS OF THE CERAMIC-BASED GLASSES	32
9.1.4 CLEANING OUT THE ASHES	33
9.1.5 CLEANING OF THE HEARTH GRATE	33
9.1.6 MAINTENANCE OF THE OVEN	34
9.1.7 CLEANING OF THE SMOKE COLLECTION COMPARTMENT	34
9.1.8 CAST IRON COOKING PLATE AND RINGS	35
9.1.9 VARNISHED PRODUCTS	35
9.1.10 ENAMELLED PRODUCTS	35
9.1.11 CHROMIUM-COMPONENTS	35
9.1.12 LATERAL HANDRAIL	35
9.1.13 MAJOLICAS (IF PRESENT)	35
9.1.14 PRODUCTS MADE OF NATURAL STONE (IF PRESENT)	35
9.2 SUMMER STOP	36
9.3 ROUTINE MAINTENANCE PERFORMED BY QUALIFIED TECHNICIANS	36
9.3.1 GASKETS	36
9.3.2 CONNECTION TO THE FLUE	36
10.0 WARRANTY TERMS	37

1.0 INSTALLATION OVERVIEW

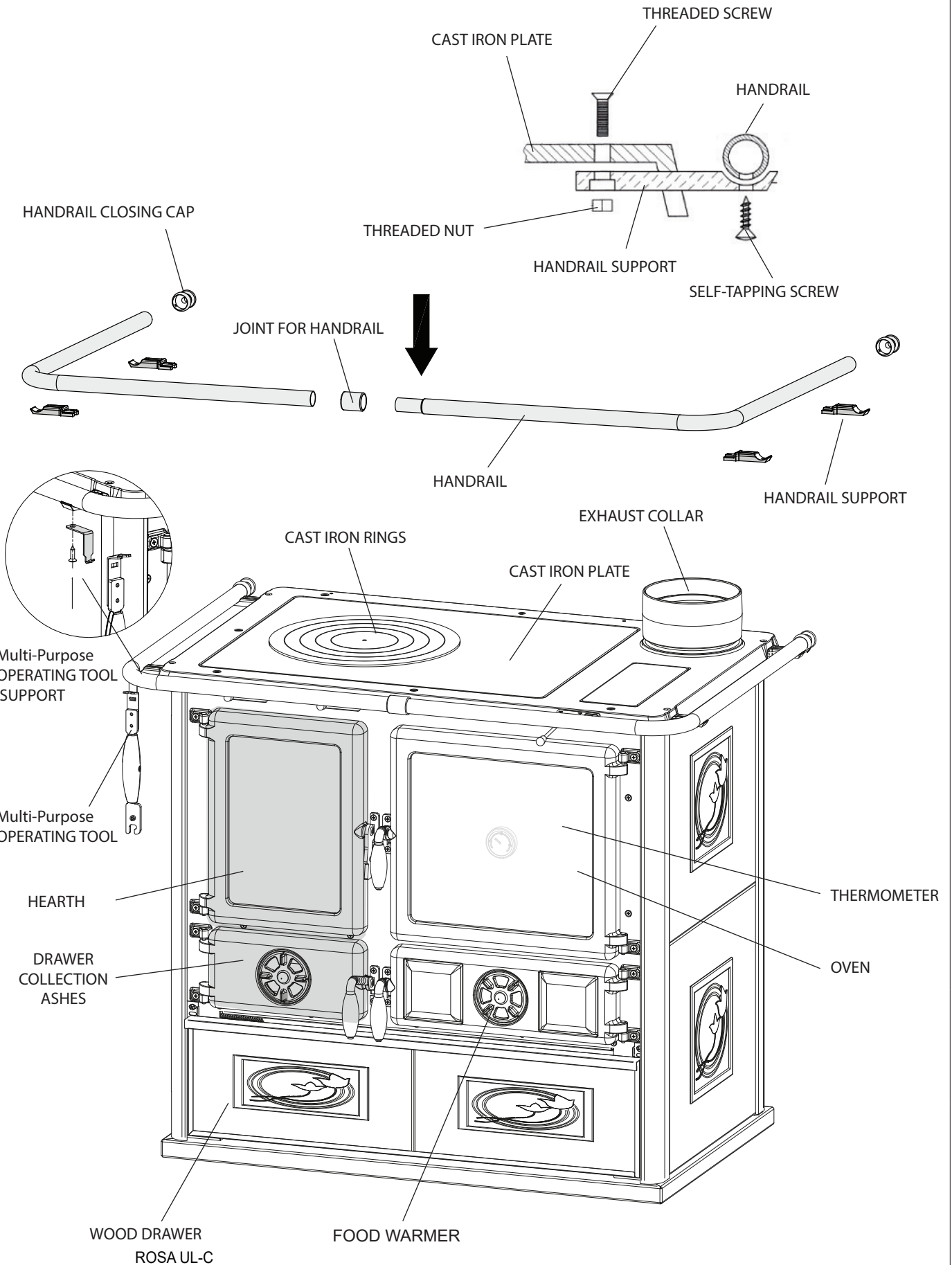
1.1 ROSA REVERSE UL-C



1.2 ROSA SINISTRA REVERSE UL-C



1.3 ROSA UL-C

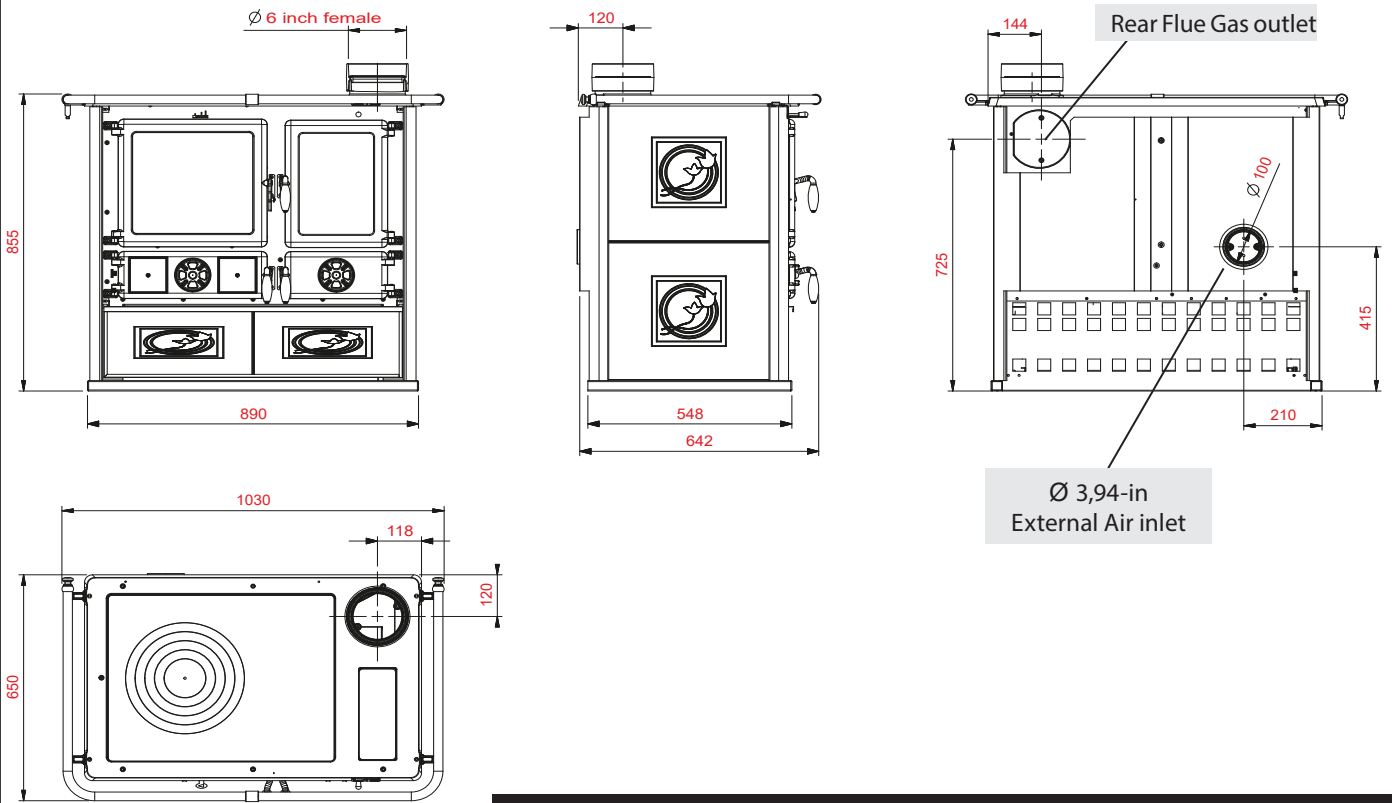


1.0 INTRODUCTION

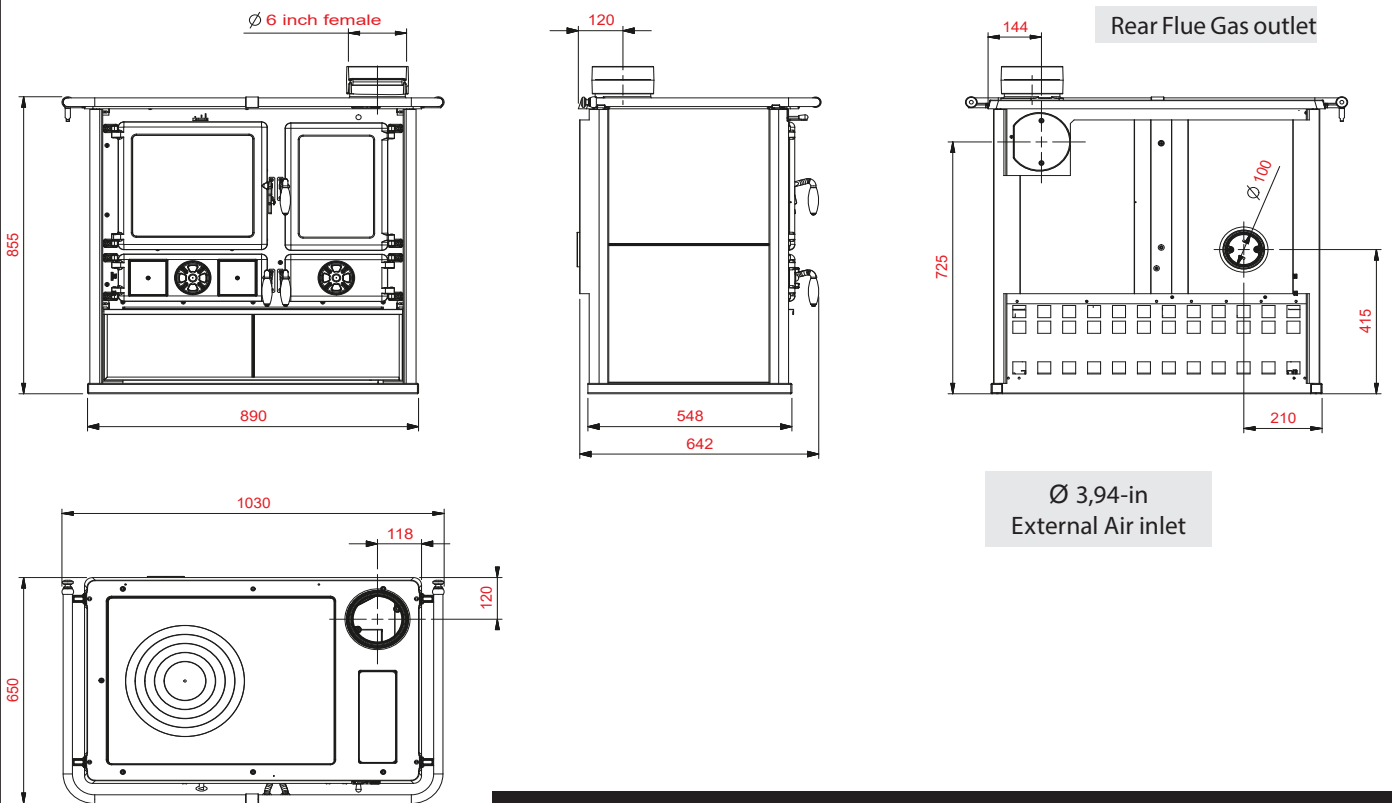
WARNING

- ◆ THIS APPLIANCE IS HOT WHEN IN OPERATION AND CAN CAUSE SEVERE BURNS IF TOUCHED.
- ◆ Do not operate this appliance before reading and understanding the operating instructions. Failure to operate appliance according to operating instructions could cause fire or injury. Consult the authorities that have jurisdiction (e.g. municipal building department, fire department, fire prevention bureau, etc.) and follow their guidelines. Notify your insurance company of this appliance as well.
- ◆ Never try to repair or replace any part of the appliance unless instructions are given in this manual. All other work should be done by a trained technician.
- ◆ Risk of burns. The appliance should be turned off and cooled before servicing.
- ◆ Do not operate without fully assembling all components.
- ◆ Do not install damaged, incomplete or substitute components.
- ◆ Risk of cuts and abrasions. Wear protective gloves and safety glasses during installation. Sheet metal edges may be sharp.
- ◆ Children and adults should be alerted to the hazards of high surface temperature and should stay away to avoid burns or clothing ignition. Toddlers, young children and others may be susceptible to accidental contact burns. A physical barrier is recommended if there are at-risk individuals in the house. To restrict access to an appliance or stove, install an adjustable safety gate to keep toddlers, young children and other at-risk individuals out of the room and away from hot surfaces.
- ◆ Clothing or other flammable material should not be placed on or near the appliance.
- ◆ Due to high temperatures, the appliance should be located out of traffic and away from furniture and draperies.
- ◆ Ensure you have incorporated adequate safety measure to protect infants/toddlers from touching hot surfaces.
- ◆ Even after the appliance is switched off, the glass and/or screen will remain hot for an extended period of time.
- ◆ Check with your local hearth specialty dealer for safety screens and hearth guards to protect children from hot surfaces. These screens and guards must be fastened to the floor.
- ◆ Any safety screen or guard removed for servicing must be replaced prior to operating the appliance. It is imperative that the control compartments, burners and circulating blower and its passageway in the appliance and venting system are kept clean. The appliance and its venting system should be inspected before use and at least annually by a qualified service person. More frequent cleaning may be required due to excessive lint from carpeting, bedding material, etc. The appliance area must be kept clear and free from combustible materials, gasoline and other flammable vapors and liquids.
- ◆ This appliance shall not be modified or sabotaged.
- ◆ Do not use this appliance if any part has been underwater. Immediately call a qualified service technician to inspect the appliance and to replace any part of the control system and any gas control which has been underwater.
- ◆ Do not operate the appliance with the glass door removed, cracked or broken. Replacement of the glass should be done by a licensed or qualified service person. The viewing door and ash pan must be closed and latched during operation.
- ◆ Do not strike or slam shut the appliance glass door.
- ◆ Only doors / optional fronts certified with the unit are to be installed on the appliance.
- ◆ Keep the packaging material out of reach for children and dispose of the material in a safe manner. As with all plastic bags, these are not toys and should be kept away from children and infants.
- ◆ If the appliance is not properly installed, a house fire may result. Do not expose the appliance to the elements (ex. rain, etc.) and keep the appliance dry at all times. Wet insulation will produce an odour when the appliance is used.
- ◆ The chimney must be sound and free of cracks. Clean your chimney a minimum of twice a year and as required.
- ◆ The appliance is designed and approved for dry logs wood fuel only. Any other type of fuel burned in this appliance will void the warranty and safety listing.
- ◆ Do not start a fire with chemicals or fluids such as gasoline, engine oil, etc.
- ◆ Ashes must be disposed in a metal container with a tight lid and placed on a non-combustible surface well away from the home or structure.
- ◆ Your appliance requires periodic maintenance and cleaning. Failure to maintain your appliance may lead to smoke spillage in your home.
- ◆ Ensure clearances to combustibles are maintained when building a mantel or shelves above the appliance. Elevated temperatures on the wall or in the air above the appliance can cause melting, discolouration or damage to decorations, a T.V. or other electronic components.
- ◆ **SAVE THESE INSTRUCTIONS.** This manual has important operating and maintenance instructions that you will need at a later time. Always follow the instructions in this manual.
- ◆ **THE EXHAUST SYSTEM SHOULD BE CHECKED AND CLEANED ONCE A YEAR MINIMUM FOR ANY BUILD-UP OF SOOT OR CREOSOTE.**
- ◆ **THIS APPLIANCE BECOMES VERY HOT, YOU MUST WEAR HEAT RESISTANT GLOVES WHEN CLEANING OR HANDLING THIS APPLIANCE.**

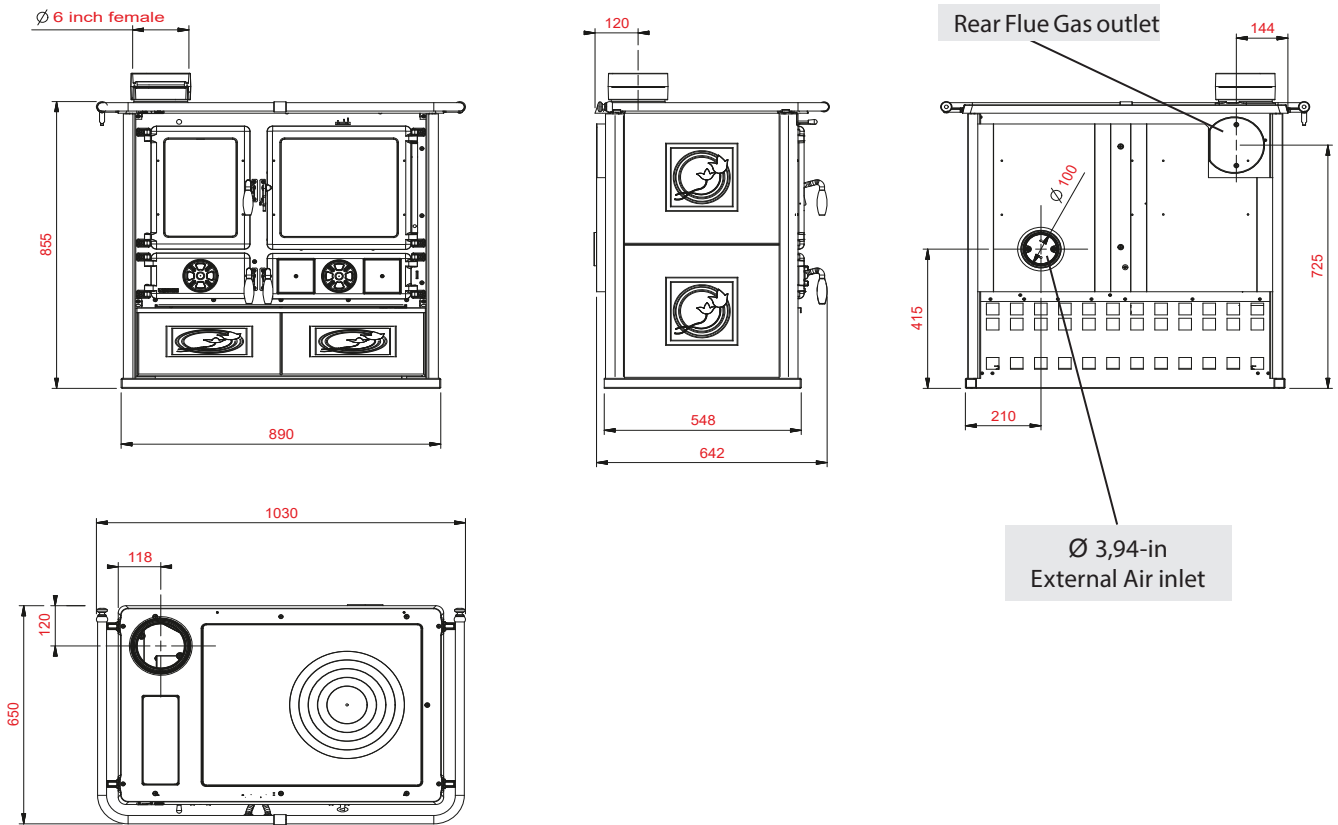
1.1 DIMENSIONS



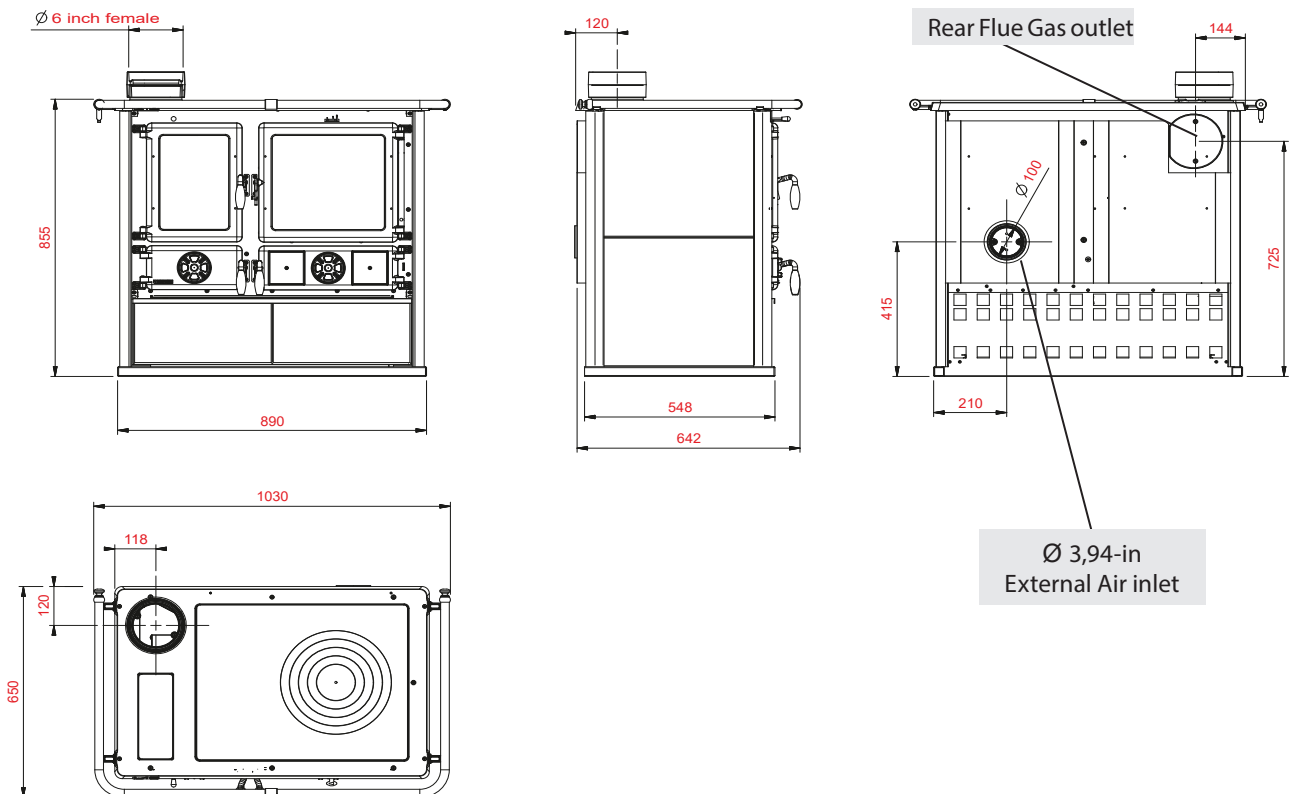
ROSA REVERSE UL-C Ceramic - 183 kg



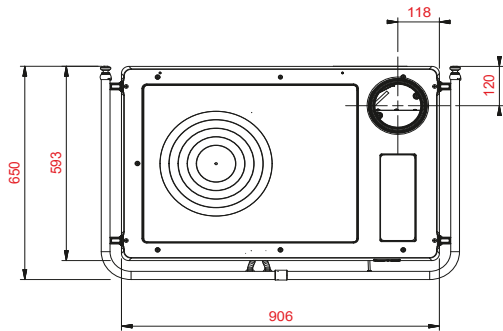
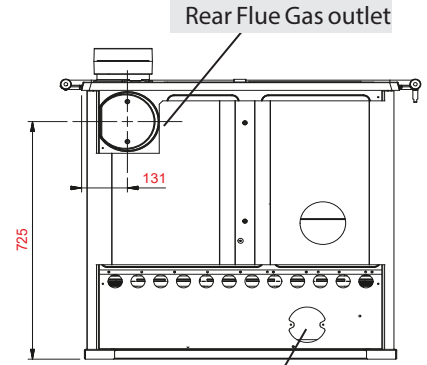
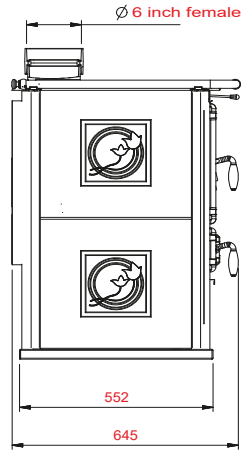
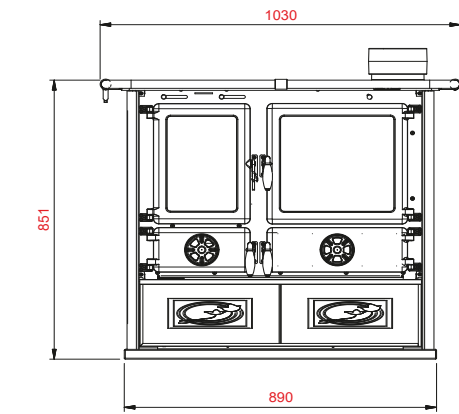
ROSA REVERSE UL-C Stone - 200 kg



ROSA SINISTRA REVERSE UL-C Ceramic - 183 kg

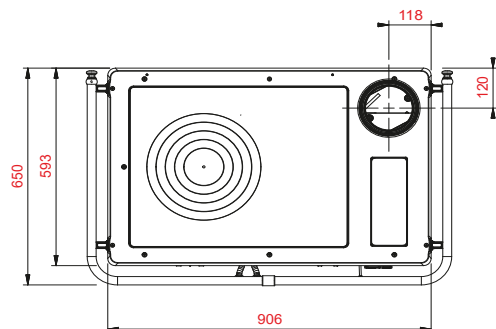
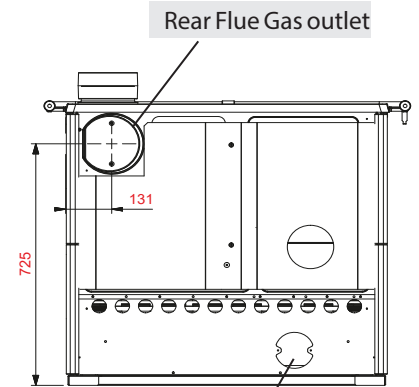
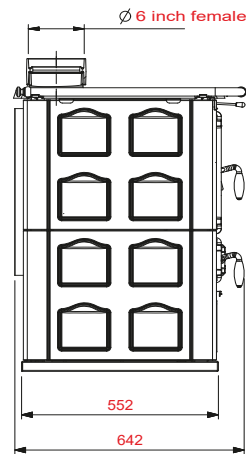
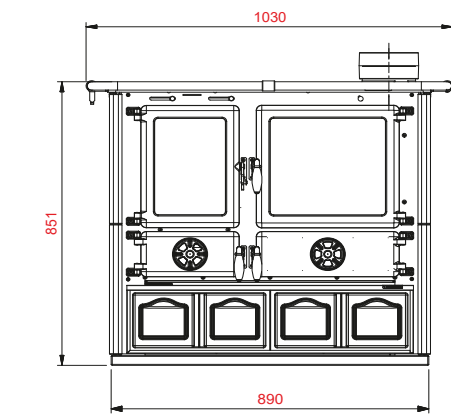


ROSA SINISTRA REVERSE UL-C Stone - 200 kg



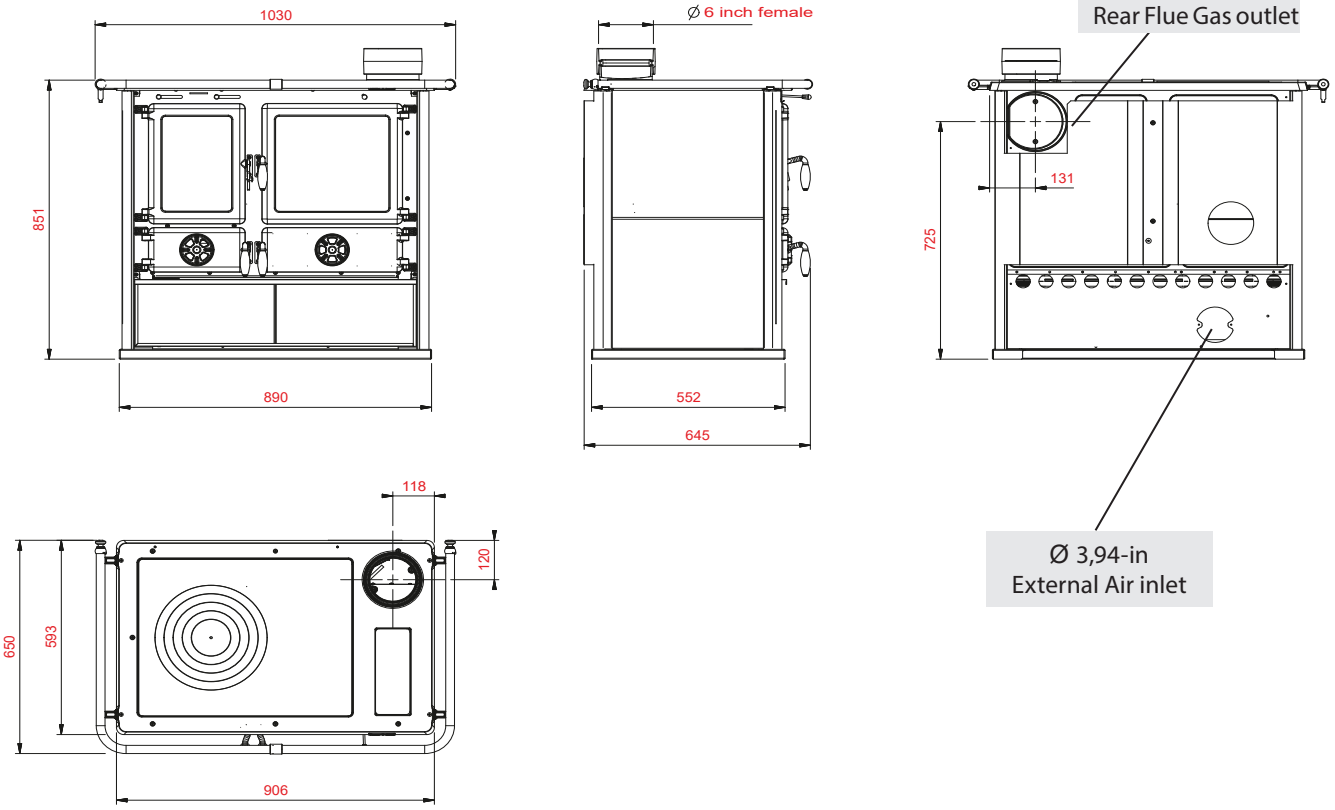
Ø 3,94-in
External Air inlet

ROSA UL-C Ceramic - 183 kg



Ø 3,94-in
External Air inlet

ROSA UL-C Majolica - 204 kg



ROSA UL-C Stone - 200 kg

1.2 SPECIFICATIONS

	ROSA REVERSE UL-C	ROSA SINISTRA REVERSE UL-C	ROSA UL-C
Flue Gas outlet diameter in mm	150	150	150
Hearth opening size in mm (W x H)	349 x 235	349 x 235	223 x 265
Hearth size in mm (W x H x D)	374 x 290 x 320	374 x 290 x 320	270 x 320 x 362
Oven size in mm (W x H x D)	245 x 300 x 384	245 x 300 x 384	330 x 300 x 410
Type of grill	Movable - flat	Movable - flat	Movable - flat
Height in mm	855	855	851
Width in mm	1030	1030	1030
Depth in mm	650	650	650
Weight in kg	Chapter 2.1 DIMENSIONS		

1.2.1 HEATING SPECIFICATIONS

	ROSA REVERSE UL-C	ROSA SINISTRA REVERSE UL-C	ROSA UL-C
Nominal power in kW	8,1	8,2	8,4
Efficiency in %	81,1	86,5	87,1
Chimney height \geq (m) - dimension (mm)	(*) 4 - 200x200 Ø200	(*) 4 - 200x200 Ø200	(*) 4 - 200x200 Ø200
Chimney draught in Pa (mm H ₂ O)	12 (1,2 mm H ₂ O)	12 (1,2 mm H ₂ O)	10 (1,0 mm H ₂ O)
Chimney draught MAX in Pa (mm H ₂ O)	(***)15 (1,5 mm H ₂ O)	(***)15 (1,5 mm H ₂ O)	(***)15 (1,5 mm H ₂ O)
Hourly wood consumption in kg / h	2,3	2,3	2,3
CO measured at 13% oxygen in %	0,07 - (910 mg/Nm ³)	0,05 - (609 mg/Nm ³)	0,067 - (843 mg/Nm ³)
Flue Gas emission in g/s – wood	7,8	6,9	6,6
Flue Gas temperature in °C - wood	237	189	192
Heatable volume in m ³ (30 kcal/h x m ³)	232 (**)	235 (**)	240 (**)

(*) The proposed value are indicative. This appliance must be connected to (1) a listed Type HT (2100°F) chimney per UL 103 or ULC S629, or (2) a code-approved masonry chimney with a flue liner. The chimney size should not be less than or more than three times greater than the cross-sectional area of the flue collar.

(**) For those buildings in which the thermal insulation does not correspond to the instructions on heat protection, the heating volume of the product is: favourable type of building (30 kcal/h x m³); less favourable type of building (40 kcal/h x m³); unfavourable type of building (50 kcal/h x m³).

(***) When the depression exceeds 15 Pa (=1.5 mm of column of water), it is necessary to reduce the same by installing an appropriate device on the exhaust pipe or in the chimney, according to the regulations in force.

With thermal insulation in accordance with the regulations regarding energy saving, the heated volume is greater. With temporary heating, in the event of interruptions which last more than 8 hours, the heating capacity is reduced by about 25%.

The declared technical data have been achieved by burning beech wood class "A1" according to the requirement UNI EN ISO 17225-5 and wood moisture content less than 20%. By burning a different kind of wood the efficiency of the product itself could change and some specific adjustments on the appliance could be needed.

1.2.2 CALCULATION OF THE THERMAL POWER

There is not an absolute rule for calculating the correct necessary power. This power is given according to the space to be heated, but it depends also largely on the insulation. On an average, the calorific value necessary for a properly insulated room is **30 kcal/h per m³** (for an external temperature of 0°C).

Given that **1 kW corresponds to 860 kcal/h**, it is possible to adopt a value of **35 W/m³**.

Let's suppose one wishes to heat a room of 150 m³ (10 x 6 x 2.5 m) in an insulated apartment. In this case, it is necessary to have 150 m³ x 35 W/m³ = 5250 W or 5,25 kW. As main heating, a 8 kW device is therefore sufficient.

Fuel	Unit	Approximate combustion value		Required quantity in relation to 1 kg of dry wood
		kcal/h	kW	
Dry wood (15% humidity)	kg	3600	4.2	1,00
Wet wood (50% humidity)	kg	1850	2.2	1,95
Wood briquettes	kg	4000	5.0	0,84
Brown coal briquettes	kg	4800	5.6	0,75
Normal anthracite	kg	7700	8.9	0,47
Coke	kg	6780	7.9	0,53
Natural gas	m ³	7800	9.1	0,46
Naphtha	L	8500	9.9	0,42
Electricity	kWh	860	1.0	4,19

1.1 GENERAL INSTRUCTIONS

WARNING

DO NOT CONNECT THIS UNIT TO A CHIMNEY FLUE SERVING ANOTHER APPLIANCE. DO NOT CONNECT TO ANY AIR DISTRIBUTION DUCT OR SYSTEM.

PROVIDE ADEQUATE CLEARANCE FOR SERVICING AND OPERATING THE APPLIANCE.

PROVIDE ADEQUATE VENTILATION.

NEVER OBSTRUCT THE FRONT OPENING OF THE APPLIANCE.

OBJECTS PLACED IN FRONT OF THE APPLIANCE MUST BE KEPT AT A MINIMUM OF 48" (1200mm) FROM THE FRONT FACE OF THE APPLIANCE.

We thank you for having chosen our company; our product is a great heating solution developed from the most advanced technology with top quality machining and modern design, aimed at making you enjoy the fantastic sensation that the heat of a flame gives, in complete safety.

La NORDICA S.p.A. responsibility is limited to the supply of the appliance.

The installation must be carried out scrupulously according to the instructions provided in this manual and the rules of the profession. Installation must only be carried out by a qualified technician who works on behalf of companies suitable to assume the entire responsibility of the system as a whole.

This instructions manual is an integral part of the product: make sure that it always accompanies the appliance, even if transferred to another owner or user, or if transferred to another place. If it is damaged or lost, request another copy from the area technician.

This product is intended for the use for which it has been expressly designed. The manufacturer is exempt from any liability, contractual and extracontractual, for injury/damage caused to persons/animals and objects, due to installation, adjustment and maintenance errors and improper use

Installation must be performed by qualified staff, which assumes complete responsibility for the definitive installation and consequent good functioning of the product installed. One must also bear in mind all laws and national, regional, provincial and town council Standards present in the country in which the appliance has been installed, as well as the instructions contained in this manual. The Manufacturer cannot be held responsible for the failure to comply with such precautions.

After removing the packaging, ensure that the content is intact and complete. Otherwise, contact the dealer where the appliance was purchased.

All components that make up the product must be replaced with original spare parts exclusively by an authorised after-sales centre, thus guaranteeing correct functioning.

La NORDICA S.p.A. declines any responsibility for the product that has been modified without written authorisation as well as for the use of non-original spare parts.

1.2 GENERAL INFORMATION

1.2.1 ALLOWED FUELS SPECIFICATIONS

! WARNING

ALLOWED FUELS ARE LOGS. USE EXCLUSIVELY DRY LOGS (MAX. CONTENT OF WATER 20%).

MAXIMUM 3 LOGS SHOULD BE LOADED.

THE PIECES OF WOOD SHOULD HAVE A LENGTH OF CA. 7,9- 11,8 in (20-30 CM)
AND A MAXIMUM CIRCUMFERENCE OF 11,8-13,8 in (30-35 CM).

NOT WORKED-OUT WOOD BRIQUETTES MUST BE USED CAREFULLY TO AVOID OVERHEATING THAT MAY DAMAGE THE DEVICE, SINCE THESE HAVE A VERY HIGH CALORIFIC VALUE.

IT IS NOT POSSIBLE TO BURN: COAL, CUTTINGS, WASTE OF BARK AND PANELS, HUMID WOOD OR WOOD TREATED WITH PAINTS, PLASTIC MATERIALS; IN THIS CASE, THE WARRANTY ON THE DEVICE BECOMES VOID.

THE COMBUSTION OF WASTE IS FORBIDDEN AND WOULD EVEN DAMAGE THE APPLIANCE AND THE FLUE, CAUSING HEALTH DAMAGES AND CLAIMS BY THE NEIGHBORHOOD OWING TO THE BAD SMELL.

WHEN USING THE WRONG FUEL OR ONE WHICH IS TOO DAMP, DUE TO DEPOSITS PRESENT IN THE FLUE, A SOOT FIRE IS POSSIBLE.

PAPER AND CARDBOARD MUST BE USED ONLY TO LIGHT THE FIRE.

THE WOOD IS NOT A FUEL WHICH ALLOWS A CONTINUOUS OPERATION OF THE APPLIANCE, AS CONSEQUENCE THE HEATING ALL OVER THE NIGHT IS NOT POSSIBLE.

NEVER USE GASOLINE, GASOLINE-TYPE LANTERN FUEL, KEROSENE, CHARCOAL LIGHTER FLUID, OR SIMILAR LIQUIDS TO START OR 'FRESHEN UP' A FIRE IN THIS HEATER.
KEEP ALL SUCH LIQUIDS WELL AWAY FROM THE HEATER WHILE IT IS IN USE.

WOOD STANDARDS

The declared technical data have been achieved by burning beech wood class "A1" according to the requirement UNI EN ISO 17225-5 and wood moisture content less than 20%. By burning a different kind of wood the efficiency of the product itself could change and some specific adjustments on the appliance could be needed.

The wood used as fuel must have a humidity content lower than the 20% and must be stored in a dry place.

Humid wood tends to burn less easily, since it is necessary a greater quantity of energy to dry the wood out. Moreover, humid content has the disadvantage that, when temperature decreases, the water condensates earlier in the hearth and therefore in the chimney causing a remarkable deposit of soot that could catch fire.

Fresh wood contains about 60% of H₂O, therefore it is not suitable to be burnt.

It is necessary to place this wood in a dry and ventilated place (for example under a roofing) for at least two years before using it.

Variety	kg/m ³	kWh/kg moistness 20%
Beech	750	4,0
Oak	900	4,2
Elm	640	4,1
Poplar	470	4,1
Larch*	660	4,4
Spruce*	450	4,5
Scots pine *	550	4,4

* RESINOUS WOOD LESS SUITABLE FOR THE BURNING

! WARNING

THE CONTINUOUS AND PROTRACTED USE OF AROMATIC WOOD (E.G. EUCALYPTUS, MYRTLE ETC.) QUICKLY DAMAGES THE CAST IRON PARTS (CLEAVAGE) OF THE PRODUCT.

1.0 INSTALLATION PLANNING



WARNING

READ THIS ENTIRE MANUAL BEFORE YOU INSTALL AND USE THIS APPLIANCE. FAILURE TO FOLLOW THE INSTRUCTIONS MAY RESULT IN PROPERTY DAMAGE, BODILY INJURY OR EVEN DEATH.

USE ONLY APPROVED OPTIONAL ACCESSORIES AND REPLACEMENT PARTS WITH THIS APPLIANCE. USING NON-LISTED ACCESSORIES AND REPLACEMENT PARTS (BLOWERS, DOORS, GASKETS, VENT COMPONENTS, ETC.) COULD RESULT IN A SAFETY HAZARD AND WILL VOID THE WARRANTY.

THE COATING USED MUST BE NON-COMBUSTIBLE AND APPROVED ACCORDING TO STANDARD UL1618 FOR USA OR APPROVED TO THE LOCALS CODES.

Installation of the Product and auxiliary equipment in relation to the heating system must comply with all current Standards and Regulations and to those envisioned by the law.

The installation and the relating to the connections of the system, the commissioning and the check of the correct functioning must be carried out in compliance with the regulations in force by authorised professional personnel with the requisites required by the law, being national, regional, provincial or town council present in the country within which the appliance is installed, besides these present instructions.

Installation must be carried out by authorised personnel who must provide the buyer with a system declaration of conformity and will assume full responsibility for final installation and as a consequence the correct functioning of the installed product.

The Product, assembled and ready for the installation, must be connected with a junction to the existing flue of the house. The junction must be possibly short, straight, horizontal or positioned a little uphill. The connections must be tight.

Before installing this appliance, carry out the following checks:

- check where the flue gas connection is located on the appliance, i.e. UPPER - REAR - LATERAL
- verify if your structure can support the weight of the appliance. In case of insufficient carrying capacity it is necessary to adopt appropriate measures, La NORDICA responsibility is limited to the supply of the appliance (See chapter TECHNICAL DESCRIPTION).
- Make sure that the floor can support the weight of the appliance (for ex. distributing weight plate), and if it is made of flammable material, provide suitable **UL 1618** listed floor protector.
- Make sure that there is adequate ventilation in the room where the appliance is to be installed, with particular attention to windows and doors with tight closing (seal ropes).
- Do not install the appliance in rooms containing collective ventilation ducts, hoods with or without extractor, type B gas appliances, heat pumps, or other appliances that, operating at the same time, can put the room in depression.
- Make sure that the flue and the pipes to which the appliance will be connected are suitable for its operation. It is NOT allowed the connection of several appliances to the same chimney.
- The diameter of the opening for connection to the chimney must at least correspond to the diameter of the flue gas pipe. The opening must be equipped with a wall connection for the insertion of the exhaust pipe and a rosette.
- The unused flue gas exhaust connection must be covered with its respective cap (see chapter DIMENSIONS).
- The installation must be appropriate and has to allow the cleaning and maintenance of the product and the flue.
- It is recommended to install smoke detectors.

Your authorized local chimney sweeper must be informed about the installation of the appliance so that he can check the correct connection to the chimney.



WARNING

LA NORDICA S.P.A. DECLINES ALL RESPONSIBILITY FOR DAMAGE TO THINGS AND/OR PERSONS CAUSED BY THE SYSTEM. IN ADDITION, IT IS NOT RESPONSIBLE FOR ANY PRODUCT MODIFIED WITHOUT AUTHORISATION AND EVEN LESS FOR THE USE OF NON ORIGINAL SPARE PARTS.

1.1 APPLIANCE MINIMUM CLEARANCE TO COMBUSTIBLES

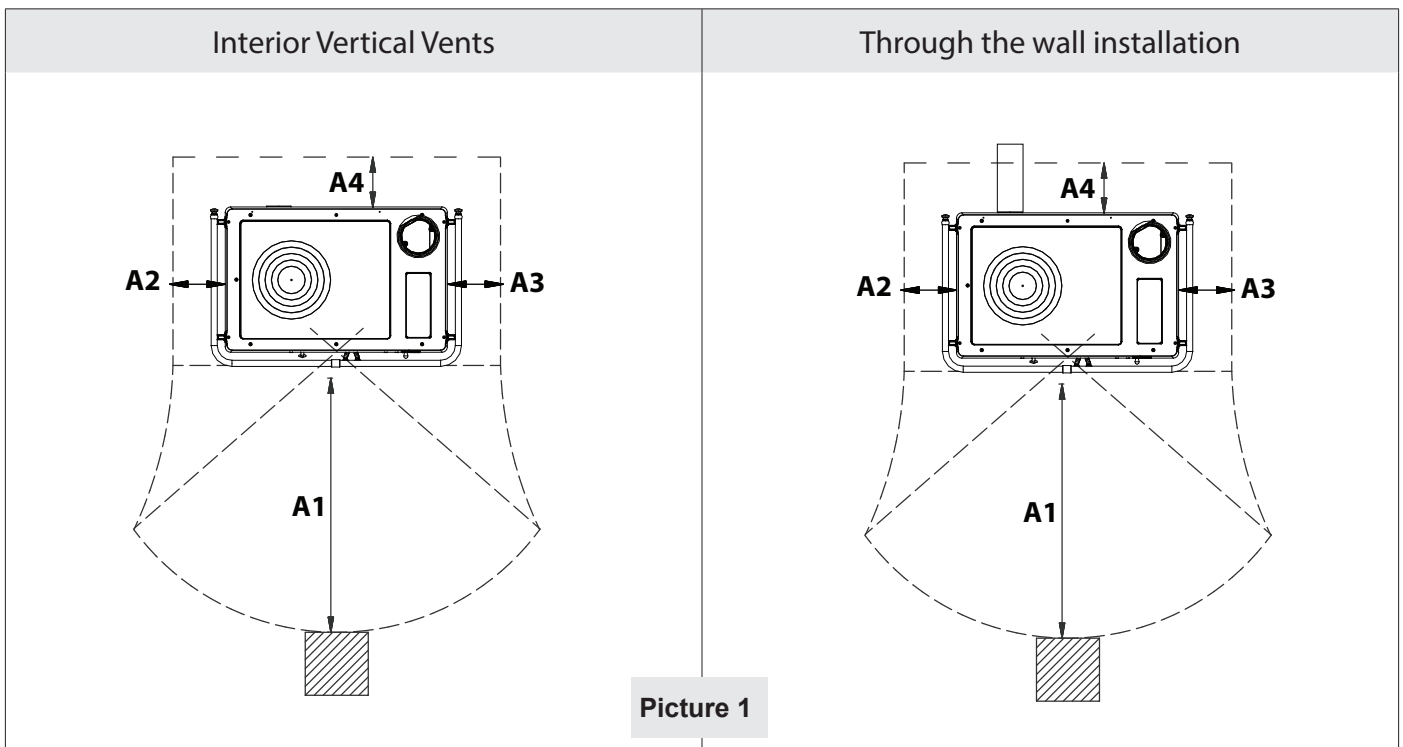
When installing the product, the following safety measures must be observed:

- In order to ensure sufficient thermal insulation, respect the minimum safety distance from objects or furnishing components flammable and sensitive to heat (furniture, wood sheathings, fabrics. etc.) and from materials with flammable structure (see **Picture 1** - distances A1, A2, and A3). **All the minimum safety distances are shown on the product data plate and lower values must not be used** (see DECLARATION OF PERFORMANCE).
- In front of the furnace door, in the radiation area there must be non-flammable nor heat-sensitive objects or material closer than **Picture 1** - distance **A1**.

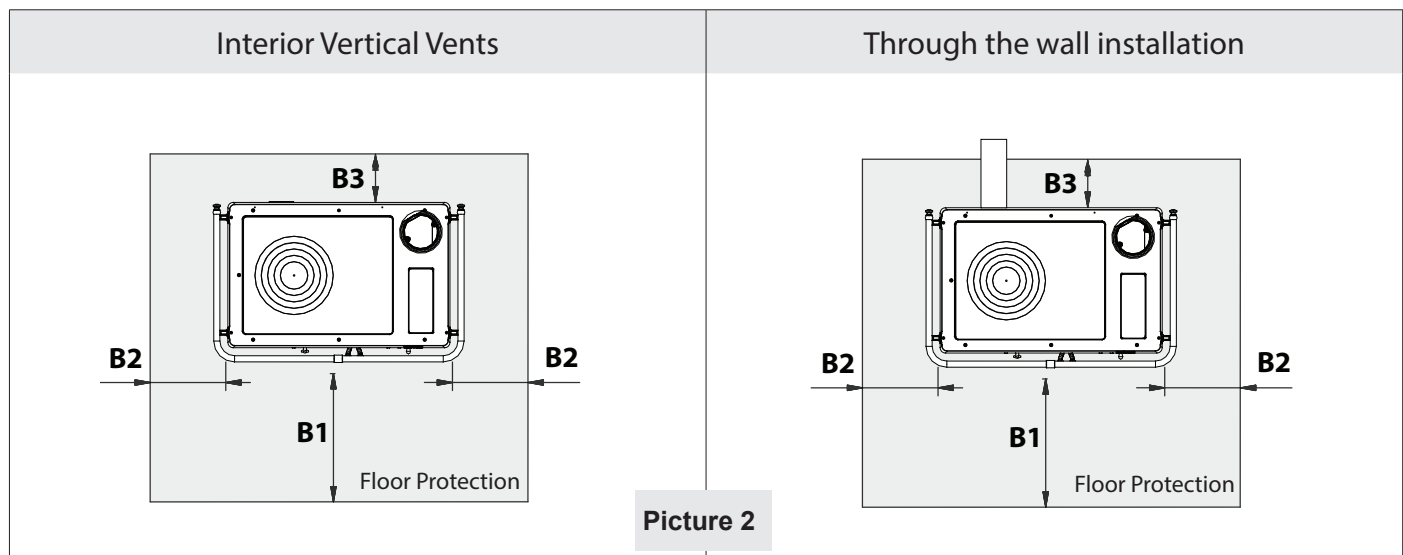
- c) If the product is installed on a flammable floor, a floor protection must be installed. **The floors made of flammable material**, such as moquette, parquet or cork etc., **must be covered** by a floor protector. SUCH FLOOR PROTECTOR SHALL BE A LISTED UL 1618 MATERIAL.
The floor protector shall be placed under the appliance and it must extend at least **16-in (419 mm)** beyond the front and at least **8-in (203 mm)** beyond each side of the fuel loading and ash removal opening (see **Picture 2** - distance **B**).

inches (mm)	A1	A2	A3	A4	B1	B2	B3
ROSA REVERSE UL-C	40 in (1016 mm)	10 in (254 mm)	10 in (254 mm)	15 in (381 mm)	16 in (406 mm)	8 in (203 mm)	2 in (50.8 mm)
ROSA SINISTRA REVERSE UL-C	40 in (1016 mm)	10 in (254 mm)	10 in (254 mm)	15 in (381 mm)	16 in (406 mm)	8 in (203 mm)	2 in (50.8 mm)
ROSA UL-C	40 in (1016 mm)	10 in (254 mm)	10 in (254 mm)	15 in (381 mm)	16 in (406 mm)	8 in (203 mm)	2 in (50.8 mm)

1.1.1 STRAIGHT INSTALLATION



1.1.2 FLOOR PROTECTION INSTALLATION REQUIREMENTS



1.1 THE CHIMNEY

Essential requirements for correct appliance operation:

- ◆ DO NOT CONNECT THIS UNIT TO A CHIMNEY FLUE SERVING ANOTHER APPLIANCE.
- ◆ THIS APPLIANCE MUST BE CONNECTED TO (1) A LISTED TYPE HT (2100 °F) CHIMNEY PER UL 103 OR ULC S629 OR (2) A CODE-APPROVED MASONRY CHIMNEY WITH A FLUE LINER.
- ◆ THE CHIMNEY SIZE SHOULD NOT BE LESS THAN OR MORE THAN THREE TIMES GREATER THAN THE CROSS-SECTIONAL AREA OF THE FLUE COLLAR.



FOR A CORRECT INSTALLATION PLEASE RESPECT THE SECTIONS/LENGTHS OF THE FLUE SHOWN IN THE TECHNICAL DATA TABLE. BY INSTALLATIONS WITH DIFFERENT DIMENSIONS THE FLUE MUST BE SUITABLY SIZED IN ACCORDANCE WITH CAN/ULC S629 M87 IN CANADA AND TO UL 103 (TYPE HT 2100°F) IN USA.

WARNING

**THE CHIMNEYS USED MUST BE IN ACCORD TO
CAN/ULC S629 M87 IN CANADA AND TO UL 103 (TYPE HT 2100°F) IN USA.**

THE FLUE MUST BE AT A SUITABLY DISTANCE FROM FLAMMABLE OR COMBUSTIBLE MATERIAL USING SUITABLE INSULATION OR AN AIR SPACE.

IT IS FORBIDDEN TO CREATE MOVEABLE OR FIXED OPENINGS ON THE FLUE ITSELF, FOR THE CONNECTION OF FURTHER DIFFERENT APPLIANCES (SEE CHAPTER CONNECTING A FIREPLACE OR OPEN HEARTH TO THE FLUE).

1.1.1 CHIMNEY CONNECTOR

The chimney connector must be as short as possible, straight horizontal and positioned slightly in ascent, and watertight.

Connection to the chimney shall be performed attaching and securing the connections with a minimum of three screws to the product and to each adjoining section.

Connection must be carried out with stable and robust pipes, comply with all current Standards and Regulations and to those envisioned by the law, and be hermetically secured to the flue. **Chimney Connector size to be used: 24 ga black or blued-steel, 6-inch diameter. The chimney pressure (DRAUGHT) must be at least** (see chap. TECHNICAL DATA SHEET) Pascal. The measurement has always to be carried out with hot device (rated thermal performance).



WHEN THE DEPRESSION EXCEEDS 15 PA (=1.5 MM OF COLUMN OF WATER), IT IS NECESSARY TO REDUCE THE SAME BY INSTALLING AN AN APPROPRIATE DEVICE ON THE EXHAUST PIPE OR IN THE CHIMNEY, ACCORDING TO THE REGULATIONS IN FORCE.

WARNING

**THE CHIMNEYS USED MUST BE TESTED ACCORDING TO
CAN/ULC S629 M87 IN CANADA AND TO UL 103 (TYPE HT 2100°F) IN USA.**

THE FLUE MUST BE PROPERLY SPACED FROM ANY FLAMMABLE MATERIALS OR FUELS THROUGH A PROPER INSULATION OR AN AIR CAVITY. MINIMUM DISTANCE SAFETY 9,84-in (25 CM).

THE UNUSED FLUE GAS EXHAUST HOLE MUST BE COVERED WITH ITS RESPECTIVE CAP (See Chapter: Dimensions).

FOR CORRECT APPLIANCE OPERATION, IT IS ESSENTIAL THAT SUFFICIENT AIR FOR COMBUSTION IS INTRODUCED INTO THE PLACE OF INSTALLATION (see paragraph VENTILATION AND AERATION OF THE INSTALLATION PREMISES).

FOR CANADA: A CHIMNEY CONNECTOR SHALL NOT PASS THROUGH AN ATTIC, ROOF SPACE, CLOSET, FLOOR, CEILING, OR SIMILAR CONCEALED SPACE. WHERE PASSAGE THROUGH A WALL OR PARTITION OF COMBUSTIBLE CONSTRUCTION IS DESIRED, THE INSTALLATION SHALL CONFORM WITH CAN/CSA-B365.

1.1.2 CHIMNEY AND CHIMNEY CONNECTOR MAINTENANCE

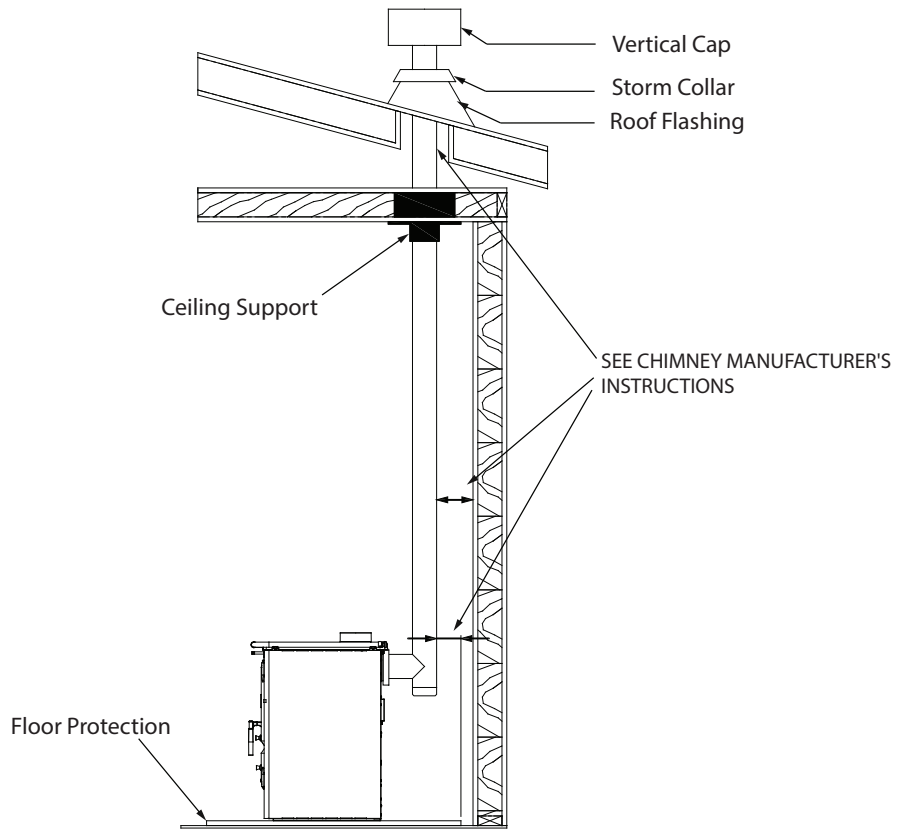
Inspection, maintenance, and cleaning of the chimney and chimney connector shall be guaranteed to handle the potential formation of Creosote.

When wood is burned slowly, it produces tar and other organic vapors, which combine with expelled moisture to form creosote. The creosote vapors condense in the relatively cool chimney flue of a slow-burning fire. As a result, creosote residue accumulates on the flue lining. When ignited this creosote makes an extremely hot fire. When burning wood, the chimney connector and chimney should be inspected at least once every two months during the heating season to determine if a creosote buildup has occurred.

1.1.3 MINIMUM INSIDE VERTICAL CLEARANCES

**NOTE:
FOLLOW CHIMNEY
MANUFACTURER'S
SPECIFICATIONS**

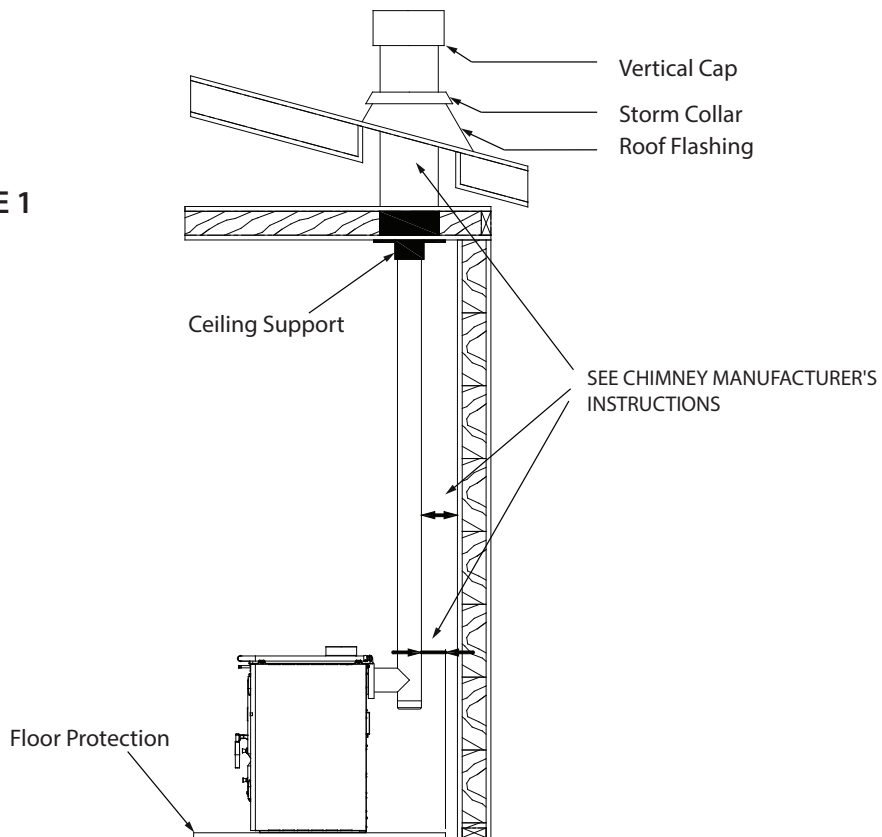
INSTALLATION TYPE 1



1.1.4 CLASS A CHIMNEY RETROFIT

**NOTE:
FOLLOW CHIMNEY
MANUFACTURER'S
SPECIFICATIONS**

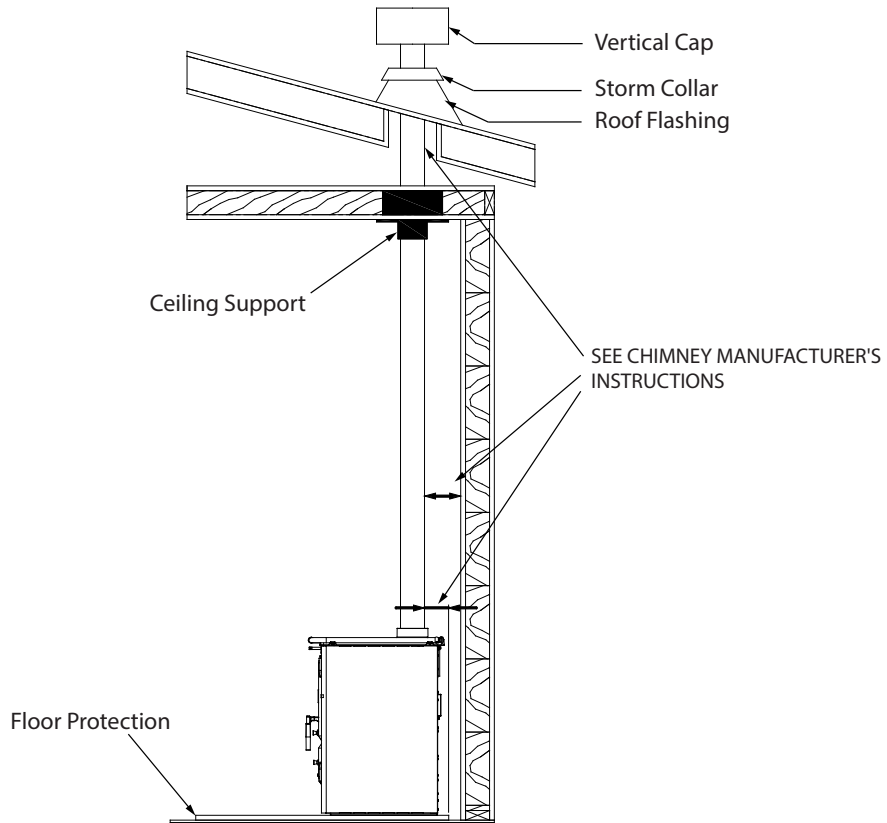
INSTALLATION TYPE 1



1.1.5 MINIMUM INSIDE VERTICAL CLEARANCES

**NOTE:
FOLLOW CHIMNEY
MANUFACTURER'S
SPECIFICATIONS**

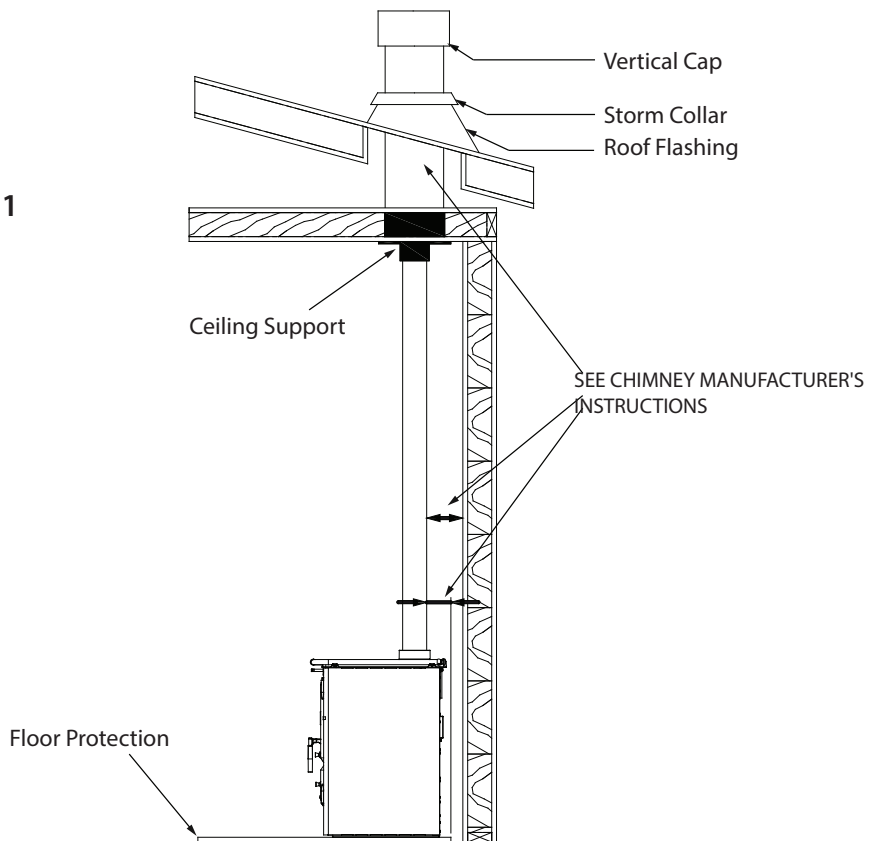
INSTALLATION TYPE 1



1.1.6 CLASS A CHIMNEY RETROFIT

**NOTE:
FOLLOW CHIMNEY
MANUFACTURER'S
SPECIFICATIONS**

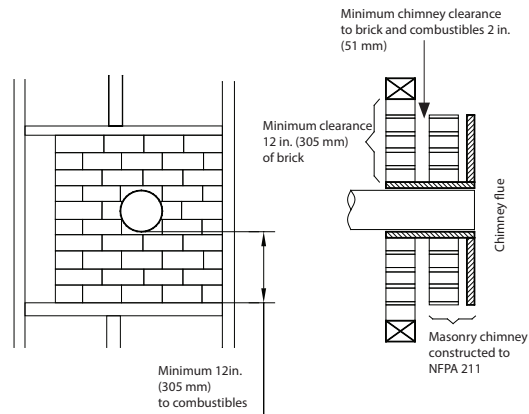
INSTALLATION TYPE 1



1.1.7 CHIMNEY CONNECTOR SYSTEM AND CLEARANCE FROM COMBUSTIBLE WALLS RESIDENTIAL HEATING APPLIANCES

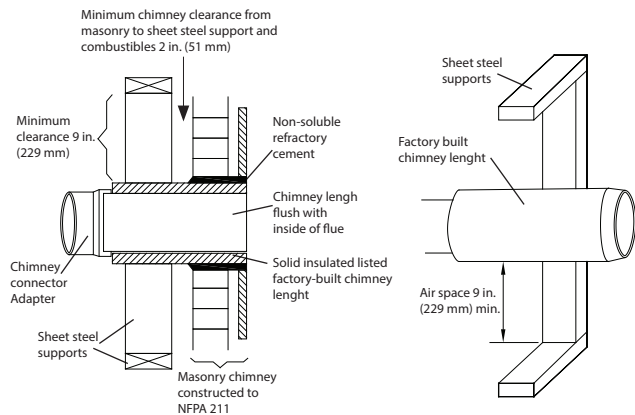
A

Minimum 3.5-in thick brick masonry all framed into combustibile wall with a minimum of 12-in brick separation from clay liner to combustibles. the fireclay liner shall run from outer surface of brick wall to, but not beyond, the inner surface of chimney flue liner and shall be firmly connected in place.



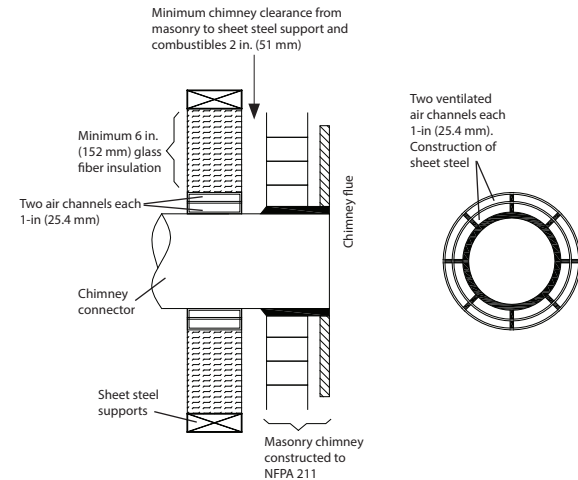
B

Solid-insulated, listed factory-built chimney length of the same inside diameter as the chimney connector and having 1-in or more of insulation with a minimum 9-in air space between the outer wall of the chimney length and combustibles.



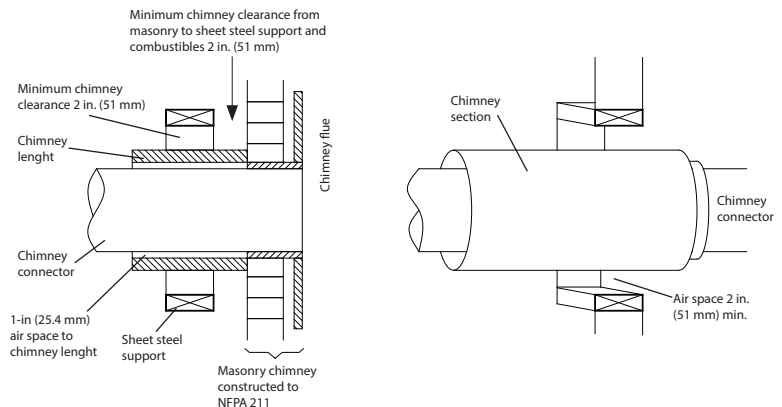
C

Sheet steel chimney connector, minimum 24 gauge in thickness, with a ventilated thimble, minimum 24 gauge in thickness, having two 1-in air channels, separated from combustibles by a minimum of 6-in of glass fiber insulation. Opening shall be covered, and thimble supported with a sheet steel support, minimum 24 gauge in thickness.



D

Solid insulated, listed factory-built chimney length with an inside diameter 2-in larger than the chimney connector and having 1-in or more of insulation, serving as a pass-through for a single wall sheet steel chimney connector of minimum 24 gauge thickness, with a minimum 2-in air space between the outer wall of chimney section and combustibles. Minimum length of chimney section shall be 12-in chimney section spaced 1-in away from connector using sheet steel support plates on both ends of chimney section supported on both sides with sheet steel supports securely fastened to wall surfaces of minimum 24 gauge thickness. Fasteners used to secure chimney section shall not penetrate chimney flue liner.



1.2 VENTILATION AND AERATION OF THE INSTALLATION PREMISES

AS THE PRODUCT MIGHT DRAW COMBUSTION AIR FROM THE PLACE OF INSTALLATION, IT IS **MANDATORY** THAT IN THE PLACE ITSELF, A SUFFICIENT QUANTITY OF AIR IS INTRODUCED. IF THE HOUSE IS EQUIPPED WITH A WELL-SEALED VAPOR BARRIER AND TIGHT-FITTING WINDOWS AND/OR HAS ANY POWERED DEVICES THAT EXHAUST HOUSE AIR IT IS POSSIBLE THAT THE FRESH AIR INTAKE IS NO LONGER GUARANTEED AND THIS JEOPARDISES THE DRAUGHT OF THE APPLIANCE AND YOUR HEALTH AND SAFETY.

Provision for outside combustion air may be necessary to ensure that the product do not discharge products of combustion into the house. Guidelines to determine the need for additional combustion air may not be adequate for every situation. If in doubt, it is advisable to provide additional air.

Outside combustion air may be required if:

1. The solid-fuel-fired appliance does not draw steadily, smoke rollout occurs, fuel burns poorly, or back-drafts occur whether or not there is combustion present.
2. Existing fuel-fired equipment in the house, such as fireplaces or other heating appliances, smell, do not operate properly, suffer smoke roll-out when opened, or back-draft whether or not there is combustion present.
3. Opening a window slightly on a calm (windless) day alleviates any of the above symptoms.
4. The house is equipped with a well-sealed vapor barrier and tight fitting windows and/or has any powered devices that exhaust house air.
5. There is excessive condensation on windows in the winter.
6. A ventilation system is installed in the house.

If these or other indications suggest that infiltration air is inadequate, additional combustion air should be provided from the outdoors. Outside combustion air can be provided to the appliance by the following means:

1. Indirect method: the outside air is ducted to a point no closer than 12-in (300 mm) from the appliance, to avoid affecting the performance of the appliance.
2. A mechanical ventilation system: if the house has a ventilation system (air change or heat recovery):
 - The ventilation system may be able to provide sufficient combustion make-up air for the solid-fuel-fired appliance.
 - The householder should be informed that the ventilation system might need to be re-balanced by a ventilation technician after installation of the appliance.

IMPORTANT: For a better comfort and corresponding oxygenation of the place of installation, the combustion air can be withdrawn from the outside of the building through a pipe (not furnished) that which shall have a minimum according the OPTIONAL RING Air Fitting described in Chapt. ACCESSORIES. This pipe must have a maximum length of 118-in (3 m) and no more than 3 bends.

The air inlets must meet the following requirements:

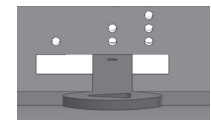
- they must be protected with grids, metal mesh, etc., but without reducing the net useful section;
- maintenance of the inlet shall be easy and feasible;
- positioned so that they cannot be obstructed;

WARNING

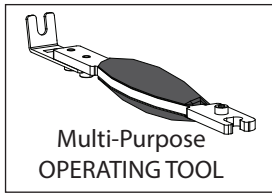
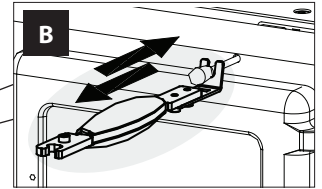
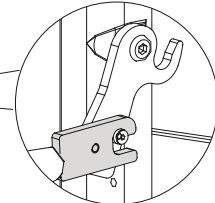
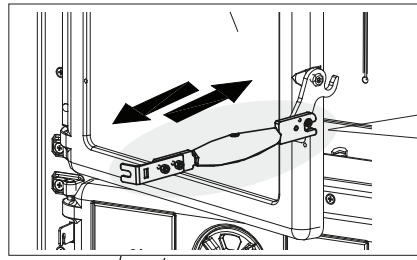
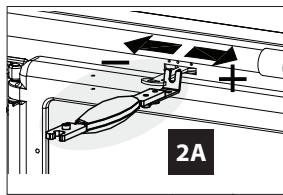
INSTALLATION IN PREMISES WITH FIRE HAZARDS IS FORBIDDEN.

ALL NATIONAL, AND LOCAL STANDARDS IN FORCE IN THE COUNTRY WHERE THE APPLIANCE IS INSTALLED MUST BE COMPLIED WITH.

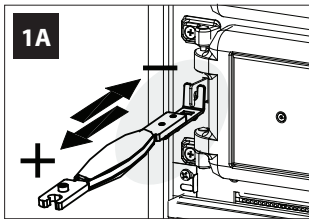
1.0 - ROSA REVERSE UL-C



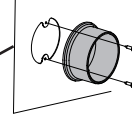
POSITION TO OBTAIN NOMINAL CALORIFIC OUTPUT



Multi-Purpose OPERATING TOOL

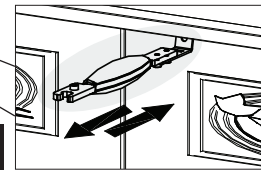


DRAWER COLLECTION ASHES



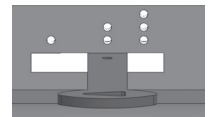
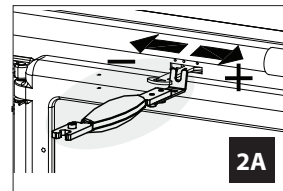
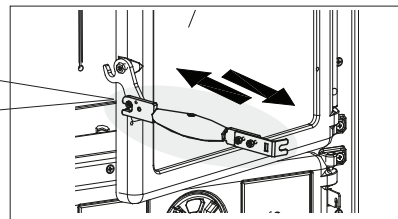
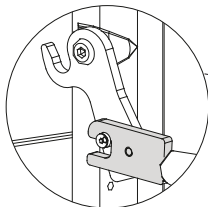
Ø 100 mm RING air fitting INCLUDED

C FOOD WARMER

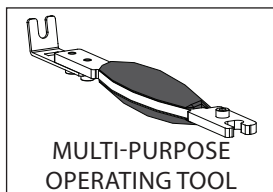
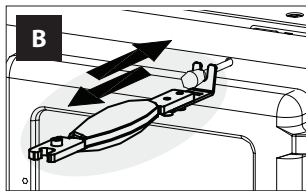


EXTRACTABLE DRAWER

2.0 - ROSA SINISTRA REVERSE UL-C

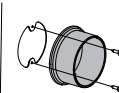


POSITION TO OBTAIN NOMINAL CALORIFIC OUTPUT

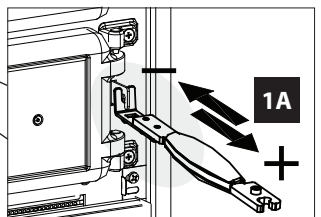


MULTI-PURPOSE OPERATING TOOL

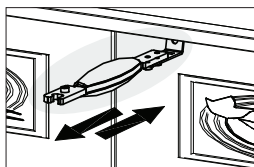
C FOOD WARMER



Ø 100 mm RING air fitting INCLUDED



EXTRACTABLE DRAWER



DRAWER COLLECTION ASHES

3.0 TECHNICAL DESCRIPTION

The fire cookers of La NORDICA are suitable to cook on the grill and on the oven and to heat living spaces for some periods or to support an insufficient centralized heating system. They are ideal for holiday apartments and weekend houses or as an auxiliary heating system during the whole year.

AS FUEL, WOOD LOGS ARE USED. **THE APPLIANCE WORKS AS AN INTERMITTENT OPERATING APPLIANCE.**

The fire cooker is made of galvanized and enamelled steel sheets and enamelled cast iron (doors, front side, plate). The hearth is totally sheathed with single cast iron sheets and it is endowed with a pre-adjusted tertiary air for a better combustion. Inside there is a flat grate.

THE HEARTH IS EQUIPPED WITH A PANORAMIC DOOR WITH A CERAMIC GLASS (resistant up to 1292°F (700 °C). This allows a wonderful view on the burning flames. Furthermore, it is thus avoided the output of sparks and smoke.

As an **ACCESSORY** it is available also a CHROMIUM PLATED GRATE for the oven and a POKER that are already INCLUDED. Under the oven door there is an food warmer holder, with the related closing door (**Picture - C**).

Below the food warmer holder there is an extractable wood drawer, with the related closing door (**D**).

THE HEATING OF THE ENVIRONMENT IS MADE BY RADIATION: THROUGH THE PANORAMIC GLASS AND THE EXTERNAL HOT SURFACES OF THE STOVE, THE HEAT IS RADIATED TO THE ENVIRONMENT.

WARNING

NEVER INTRODUCE FLAMMABLE OBJECTS OR MATERIALS IN TO THE FOOD WARMER HOLDER

3.1 ACCESSORIES

ACCESSORIES	Multi-Purpose OPERATING TOOL	CHROME PLATED OVEN GRILLE	POKER	RING air fitting
	SERIES	OPTIONAL	SERIES	SERIES

3.2 COOKER CONTROLS

THE COOKER IS EQUIPPED WITH CONTROLS OF PRIMARY AND SECONDARY AIR BY WHICH IT IS ADJUSTED THE COMBUSTION AIR.

1A – PRIMARY AIR CONTROL

With the lower register, the passage of primary air in the lower part of the cooker is regulated through the ash drawer and the grill in the direction of the fuel. The primary air is necessary for the combustion process. The ash drawer must be emptied regularly, so that the ash cannot block the primary air intake for combustion. The primary air also keeps the flame alive.

THE PRIMARY AIR REGISTER MUST BE ALMOST COMPLETELY CLOSED DURING WOOD COMBUSTION, AS OTHERWISE THE WOOD BURNS TOO QUICKLY AND THE COOKER MAY OVERHEAT.

2A – SECONDARY AIR CONTROL

Over the door of the hearth there is the secondary air control. This regulator must be open (the lever must be moved to the right - see Table), especially for wood combustion, so that un-burnt carbon does not undergo a post-combustion(see chapter NORMAL OPERATION). Through this register it is possible to adjust the power of the stove. Leaving it slightly open, according to the flue of the chimney, it is possible to keep the glass clean. **It is possible to get the air SECONDARY directly from outside** through a flexible tube (see chapter VENTILATION AND AERATION OF THE INSTALLATION PREMISES).

THE CONTROL REGULATION NECESSARY IN ORDER TO OBTAIN **NOMINAL CALORIFIC** OUTPUT IS THE FOLLOWING:

	1A - PRIMARY air	2A - SECONDARY air	TERTIARY air
(see Cap. HEATING SPECIFICATION)	CLOSED	POS.2	PRE-ADJUSTED

B – SMOKES control

(Conversion of the cooking function USE PLATE to cooking with OVEN use).

The smokes control, in the style of a chromed pull push lever, can be found on the top of the front side of the cooker, between the protection bar and the oven door. This control has two settings:

- **HOT PLATE USE:** when the bar is pushed to the back of the cooker, the combustion gases flow on the top the oven and directly into the flue and up to the chimney.
- **OVEN COOKING:** when the control bar is pulled out, the combustion gases flow around the oven, heating it.

3.2.1 TO IGNITE THE FLAME

TO IGNITE THE FLAME follow the instructions below (see Cap. IGNITION) :

- ♦ Bring the flue gas control to the cooking function USE PLATE (any butterfly valve placed on the flue gas exhaust pipe must also be opened).
- ♦ Open the primary and secondary air control.
- ♦ After having started the fire with small pieces of wood and waited until it is well lit.
- ♦ Bring the flue gas control to the OVEN position.
- ♦ CLOSE any butterfly valve placed on the flue gas exhaust pipe must also be opened.

THE CONTROL REGULATION **DURING THE IGNITION PHASE** IS THE FOLLOWING :

	1A - PRIMARY air	2A - SECONDARY air	B - SMOKES control
IGNITION PHASE	OPEN	OPEN	HOT PLATE USE

3.2.2 ROSA REVERSE UL-C - HOW TO SET THE MACHINE TO BOIL WATER

- ♦ Keep the flue gas register on the cooker function – HOT PLATE USE position.
- ♦ Primary air HALF open.
- ♦ Secondary air completely OPEN.
- ♦ Load wood as described in the manual (hourly load = hourly consumption).

3.2.3 ROSA REVERSE UL-C - HOW TO SET THE MACHINE TO COOK BISCUITS

- ♦ Primary air CLOSED.
- ♦ Secondary air completely OPEN - Picture 7.
- ♦ Bring the flue gas register to the cooker function – HOT PLATE USE position. This keeps the oven temperature stable around 446°F (230 °C).
- ♦ Load wood as described in the manual (hourly consumption).
- ♦ Wait for 446°F (230 °C) to be reached.
- ♦ Place the tray of biscuits in the low position for 25-30 minutes (slow cooking) or in the medium position for 15-20 minutes (quick cooking).
- ♦ Turn the tray halfway through cooking, if necessary.

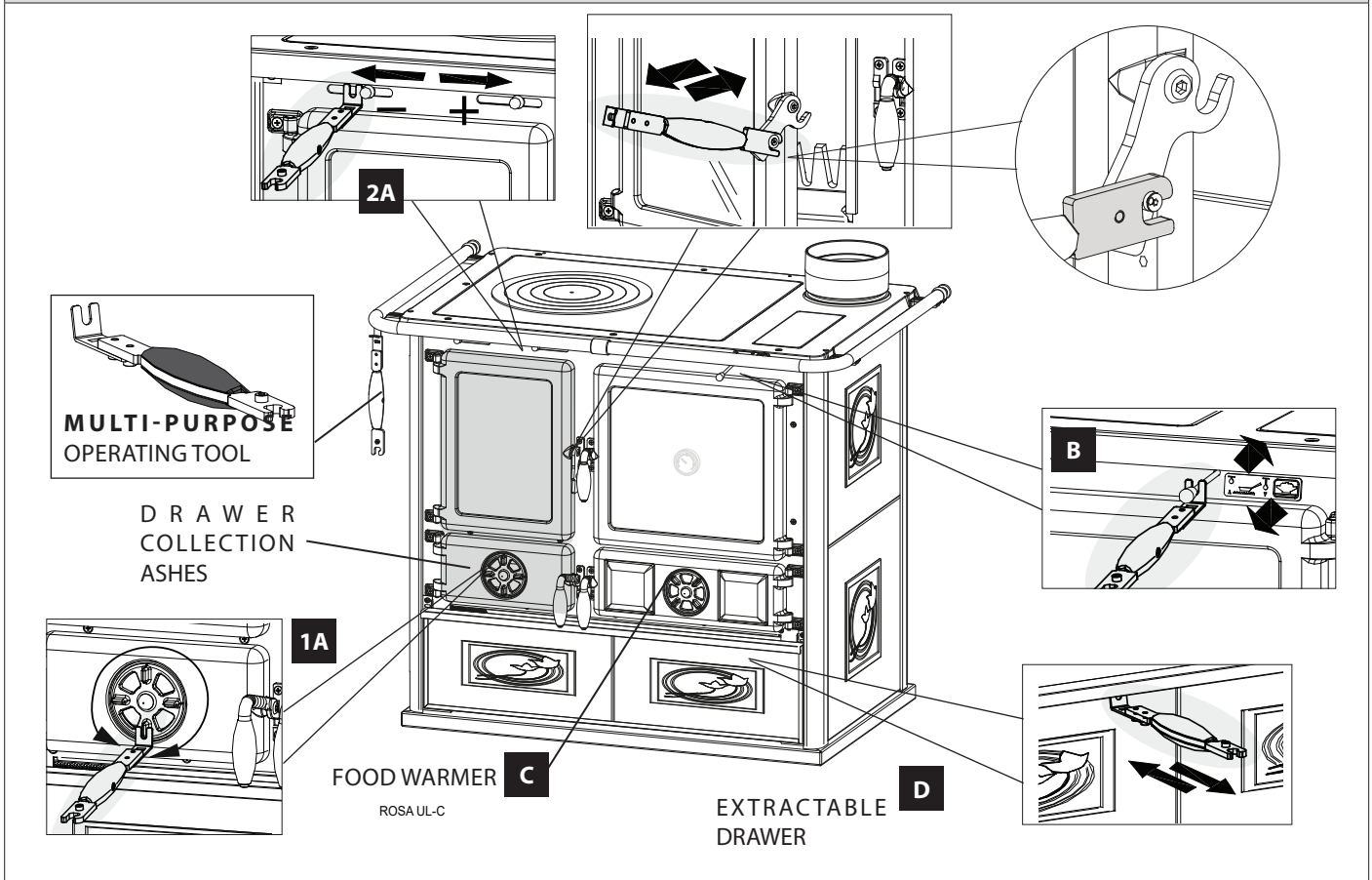
3.2.4 ROSA SINISTRA REVERSE UL-C - HOW TO SET THE MACHINE TO BOIL WATER

- ♦ Keep the flue gas register on the cooker function – OVEN USE.
- ♦ Primary air CLOSED.
- ♦ Secondary air POS.2 **Picture 8**.
- ♦ Load wood as described in the manual (hourly consumption).

3.2.5 ROSA SINISTRA REVERSE UL-C - HOW TO SET THE MACHINE TO COOK BISCUITS

- ♦ Primary air register CLOSED
- ♦ Secondary air register POS.2 **Picture 8**.
- ♦ Bring the flue gas register to the cooker function – OVEN USE position. This keeps the oven temperature stable around 446°F (230 °C).
- ♦ Load wood as described in the manual (hourly consumption).
- ♦ Wait for 446°F (230 °C) to be reached.
- ♦ Place the tray of biscuits in the low position for 25-30 minutes (slow cooking) or in the medium position for 15-20 minutes (quick cooking).
- ♦ Turn the tray halfway through cooking, if necessary..

1.0 - ROSA UL-C



1.1 TECHNICAL DESCRIPTION

The cookers of La Nordica are suitable to cook on the grill and on the oven and to heat living spaces for some periods or to support an insufficient centralized heating system. They are ideal for holiday apartments and weekend houses or as an auxiliary heating system during the whole year. AS FUEL, WOOD LOGS IS USED. **THE APPLIANCE WORKS AS AN INTERMITTENT OPERATING APPLIANCE.** The cooker is made of galvanized and enamelled steel sheets and enamelled cast iron (doors, front side, plate).

The hearth is totally sheathed with single cast iron sheets and it is endowed with a pre-adjusted tertiary air for a better combustion. Inside there is a flat grate. THE COOKER CAN BE EQUIPPED WITH A OPTIONAL HEIGHT-ADJUSTABLE GRATE. THE UPPER POSITION OPTIMIZES THE PLATE FUNCTION, THE LOWER ONE THE OVEN USE.

THE HEARTH IS EQUIPPED WITH A PANORAMIC DOOR WITH A CERAMIC GLASS (resistant up to 1292°F - 700 °C). This allows a wonderful view on the burning flames. Furthermore, it is thus avoided the output of sparks and smoke.

As an **ACCESSORY** it is available also a CHROMIUM PLATED GRATE for the oven and a POKER that are already INCLUDED.

Under the oven door there is an food warmer holder, with the related closing door (**Picture - C**).

Below the food warmer holder there is an extractable wood drawer, with the related closing door (**D**).

THE HEATING OF THE ENVIRONMENT IS MADE BY RADIATION: THROUGH THE PANORAMIC GLASS AND THE EXTERNAL HOT SURFACES OF THE STOVE, THE HEAT IS RADIATED TO THE ENVIRONMENT.

! WARNING

NEVER INTRODUCE FLAMMABLE OBJECTS OR MATERIALS IN TO THE FOOD WARMER HOLDER

1.2 ACCESSORIES

ACCESSORIES	Multi-Purpose OPERATING TOOL	CHROME PLATED OVEN GRILLE	POKER	RING air fitting	Height-adjustable cast iron grate
	SERIES	OPTIONAL	SERIES	OPTIONAL	OPTIONAL

1.3 COOKER CONTROLS

THE COOKER IS EQUIPPED WITH CONTROLS OF PRIMARY AND SECONDARY AIR BY WHICH IT IS ADJUSTED THE COMBUSTION AIR.

1A – PRIMARY AIR CONTROL

With the inferior air control it is adjusted the passage of primary air into the low part of the cooker, through the drawer of ash and the grate in the fuel direction. The primary air is necessary for the combustion process. The ash drawer must be regularly emptied, so that the ash does not obstruct the primary air entry for the combustion. Through the primary air the fire is also kept alive.

THE PRIMARY AIR REGISTER MUST BE ALMOST COMPLETELY CLOSED DURING WOOD COMBUSTION, AS OTHERWISE THE WOOD BURNS TOO QUICKLY AND THE THERMO-PRODUCT MAY OVERHEAT (see chapter NORMAL OPERATION).

2A – SECONDARY AIR CONTROL

This register must be open (i.e. turned completely to the right), in particular for the combustion of wood, so that unburnt carbon does not undergo a post-combustion (see chapter NORMAL OPERATION).

Through this register it is possible to adjust the power of the heating. Leaving it slightly open, according to the flue of the chimney, it is possible to keep the glass clean.

THE CONTROL REGULATION NECESSARY IN ORDER TO OBTAIN **NOMINAL CALORIFIC** OUTPUT IS THE FOLLOWING:

	1A - PRIMARY air	2A - SECONDARY air	TERTIARY air
(see Cap. HEATING SPECIFICATION)	OPEN	OPEN	PRE-ADJUSTED

B – SMOKES control

(Conversion of the cooking function USE PLATE to cooking with OVEN use).

The smokes control, in the style of a chromed pull push lever, can be found on the top right corner of the front side of the cooker, between the protection bar and the oven door. This control has two settings:

- HOTPLATE USE: when the bar is pushed to the back of the cooker, the combustion gases flow around the oven and directly into the flue and up to the chimney.
- OVEN COOKING: when the control bar is pulled out, the combustion gases flow around the oven, heating it.

1.3.1 TO IGNITE THE FLAME

TO IGNITE THE FLAME follow the instructions below (see Cap. IGNITION) :

- ♦ Bring the flue gas control to the cooker function – HOT PLATE USE (any butterfly valve placed on the flue gas exhaust pipe must also be opened).
- ♦ Open the primary and secondary air control.
- ♦ After having started the fire with small pieces of wood and waited until it is well lit.
- ♦ Bring the flue gas control to the OVEN position.
- ♦ Close any butterfly valve placed on the flue gas exhaust pipe must also be opened.

THE CONTROL REGULATION **DURING THE IGNITION PHASE** IS THE FOLLOWING :

	1A - PRIMARY air	2A - SECONDARY air	B - SMOKES control
IGNITION PHASE	OPEN	OPEN	HOT PLATE USE

1.3.2 HOW TO SET THE MACHINE TO BOIL WATER

- ♦ Keep the flue gas register on the cooker function – HOT PLATE USE.
- ♦ Primary air HALF OPEN.
- ♦ Secondary air completely OPEN.
- ♦ Load wood as described in the manual (hourly load = hourly consumption).

1.3.3 HOW TO SET THE MACHINE TO COOK BISCUITS

- ♦ Keep the flue gas register on the cooker function – HOT PLATE USE.
- ♦ Primary air HALF OPEN.
- ♦ Secondary air completely OPEN..
- ♦ Switch the cooker on with a moderate load of wood until the oven thermometer indicates 302 °F (150 °C).
- ♦ Wait for 374 -392 °F (190-200 °C) to be reached without additional wood being loaded.
- ♦ Load a single piece of wood weighing 1,1-1,32 lb (500 - 600 g) one at a time and wait for it to burn completely before adding another.
- ♦ This keeps the oven temperature stable around 374 -392 °F (190-200 °C).
- ♦ low position for 25-30 minutes (slow cooking) or in the medium position for 15-20 minutes (quick cooking).
- ♦ Turn the tray halfway through cooking, if necessary.

1.0 IGNITION

1.1 FIRST IGNITION

WARNING

AFTER THE FIRST IGNITION YOU CAN SMELL BAD ODOURS (OWING TO THE DRYING OF THE GLUE USED IN THE GARNITURES OR OF THE PAINT) WHICH DISAPPEAR AFTER A BRIEF USING OF THE APPLIANCE.
IT MUST BE ENSURED, IN ANY CASE, A GOOD VENTILATION OF THE ENVIRONMENT.

UPON THE FIRST IGNITION WE SUGGEST LOADING A REDUCED QUANTITY OF FUEL AND SLIGHTLY INCREASING THE CALORIFIC VALUE OF THE EQUIPMENT.

**NEVER USE GASOLINE, GASOLINE-TYPE LANTERN FUEL, KEROSENE, CHARCOAL LIGHTER FLUID, OR SIMILAR LIQUIDS TO START OR 'FRESHEN UP' A FIRE IN THIS HEATER.
KEEP ALL SUCH LIQUIDS WELL AWAY FROM THE HEATER WHILE IT IS IN USE.
NEVER SWITCH ON THE DEVICE WHEN THERE ARE COMBUSTIBLE GASES IN THE ROOM.**

To perform a correct first lighting of the products treated with paints for high temperature, it is necessary to know the following information:

- ◆ THE CONSTRUCTION MATERIALS OF THE INVOLVED PRODUCTS ARE NOT HOMOGENEOUS, IN FACT THERE ARE SIMULTANEOUSLY PARTS IN CAST IRON, STEEL, REFRACTORY MATERIAL AND MAJOLICA;
- ◆ THE TEMPERATURE TO WHICH THE BODY OF THE PRODUCT IS SUBJECT IS NOT HOMOGENEOUS: FROM AREA TO AREA, VARIABLE TEMPERATURES WITHIN THE RANGE OF 572-932°F (300-500°C) ARE DETECTED;
- ◆ DURING ITS LIFE, THE PRODUCT IS SUBJECT TO ALTERNATED LIGHTING AND EXTINGUISHING CYCLES IN THE SAME DAY, AS WELL AS TO CYCLES OF INTENSE USE OR OF ABSOLUTE STANDSTILL WHEN SEASON CHANGES;
- ◆ THE NEW APPLIANCE, BEFORE BEING CONSIDERED SEASONED HAS TO BE SUBJECT TO MANY START CYCLES TO ALLOW ALL MATERIALS AND PAINTS TO COMPLETE THE VARIOUS ELASTIC STRESSES;
- ◆ IN DETAIL, INITIALLY IT IS POSSIBLE TO REMARK THE EMISSION OF SMELLS TYPICAL OF METALS SUBJECT TO GREAT THERMAL STRESS, AS WELL AS OF WET PAINT.

THEREFORE, IT IS EXTREMELY RELEVANT TO TAKE THESE EASY STEPS DURING THE IGNITION:

1. MAKE SURE THAT A STRONG AIR CHANGE IS ASSURED IN THE ROOM WHERE THE APPLIANCE IS INSTALLED.
2. DURING THE FIRST STARTS, DO NOT LOAD EXCESSIVELY THE COMBUSTION CHAMBER (ABOUT HALF THE QUANTITY INDICATED IN THE INSTRUCTIONS MANUAL) AND KEEP THE PRODUCT CONTINUOUSLY ON FOR AT LEAST 6-10 HOURS WITH THE REGISTERS LESS OPEN THAN THE VALUE INDICATED IN THE INSTRUCTIONS MANUAL.
3. REPEAT THIS OPERATION FOR AT LEAST 4-5 OR MORE TIMES, ACCORDING TO YOUR POSSIBILITIES.
4. THEN LOAD MORE AND MORE FUEL (FOLLOWING IN ANY CASE THE PROVISIONS CONTAINED IN THE INSTALLATION BOOKLET CONCERNING MAXIMUM LOAD) AND, IF POSSIBLE, KEEP THE IGNITION PERIODS LONG AVOIDING, AT LEAST IN THIS INITIAL PHASE, SHORT ON/OFF CYCLES.
5. **DURING THE FIRST STARTS, NO OBJECT SHOULD BE LEANED ON THE APPLIANCE AND IN DETAIL ON ENAMELED SURFACES. ENAMELED SURFACES MUST NOT BE TOUCHED DURING HEATING.**
6. ONCE THE «BURN-IN» HAS BEEN COMPLETED, IT IS POSSIBLE TO USE THE PRODUCT AS THE MOTOR OF A CAR, AVOIDING ABRUPT HEATING WITH EXCESSIVE LOADS.

To light the fire, it is suggested to use small wood pieces together with paper or other traded lighting means.

Do not use an elevated grate or otherwise raise the fire.

The openings for air (primary and secondary) must be opened together (you must open the eventual Ignition control, and draught valve placed on the pipe of smokes exhaust). When the wood starts burning, you may load other fuels and adjust the air for combustion according to the instructions on paragraph TECHNICAL DESCRIPTION.

! WARNING

PLEASE ALWAYS BE PRESENT DURING THIS PHASE.

IT IS RECOMMENDED TO BUILD-UP AND MAINTAIN THE FIRE, AVOIDING ANY OVERFIRING (SEE CAP. TECHNICAL DESCRIPTION / HOURLY CONSUMPTION). TOO MUCH FUEL AND TOO MUCH AIR FOR COMBUSTION CAN CAUSE OVERHEATING AND THEREFORE DAMAGE THE APPLIANCE.

THE WARRANTY DOES NOT COVER THE DAMAGES DUE TO OVERHEATING OF THE EQUIPMENT.

1.1.1 LOW EMISSION FIRE LIGHTING

Smokeless combustion is a way of lighting a fire able to significantly reduce the emission of harmful substances. The wood burns gradually from the top downwards, so combustion is slower and more controlled. Burnt gases pass through the high temperatures of the flame and therefore burn almost completely.

Place the logs in the hearth a certain distance apart as shown in the **Picture**. Arrange the largest at the bottom and the smallest at the top, or vertically in the case of tall narrow combustion chambers. Place the fire starter module on top of the pile, arranging the first logs in the module at right angles to the pile of wood.

1.1.2 FIRE STARTER MODULE

THIS FIRE STARTER MODULE REPLACES A PAPER OR CARDBOARD STARTER.

Prepare four logs, 0,78-in (20 cm) long with a cross section of 0,12-in (3 cm) by 0,12-in (3 cm) as in the **Picture**. Cross the four logs and place them on top of the pile of wood at right angles, with the fire lighter (wax impregnated wood fibre for example) in the middle. The fire can be lit with a match. If you want, you can use thinner pieces of wood. In this case, you will need a larger quantity.

Keep the flue gas exhaust valve and combustion air regulator open in the position as shown in according to the instructions on paragraph TO IGNITE THE FLAME.

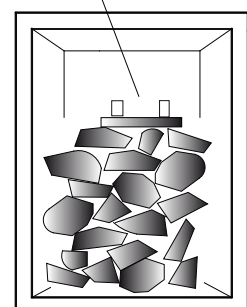
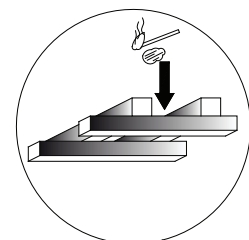
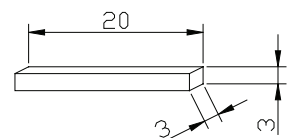
After lighting the fire, leave the combustion air regulator open in the position shown in according to the instructions on paragraph TECHNICAL DESCRIPTION.

IMPORTANT:

- DO NOT ADD FURTHER WOOD BETWEEN ONE COMPLETE LOAD AND THE NEXT;
- DO NOT SUFFOCATE THE FIRE BY CLOSING THE AIR INTAKES;
- REGULAR CLEANING BY A CHIMNEY SWEEP REDUCES FINE PARTICLE EMISSIONS.

These instructions are suggested by ENERGIA Legno SVIZZERA www.energia-legno.ch

FIRE STARTER MODULE



1.2 NORMAL OPERATION

WARNING

FOR SAFETY REASONS THE DOOR OF THE HEARTH CAN BE OPENED ONLY FOR LOAD THE FUEL.

THE HEARTH DOOR MUST ALWAYS REMAIN CLOSED DURING OPERATION OR REST.

WHEN FUEL IS ADDED ONTO THE EMBERS IN THE ABSENCE OF A FLAME, A CONSIDERABLE AMOUNT OF FUMES MAY DEVELOP. IF THIS HAPPEN, AN EXPLOSIVE MIXTURE OF GAS AND AIR MAY FORM, AND IN EXTREME CASES AN EXPLOSION MAY OCCUR. FOR SAFETY REASONS IT IS ADVISABLE TO PERFORM A NEW LIGHTING PROCEDURE WITH THE USE OF SMALL STRIPS.

After having positioned the registers correctly, insert the indicated hourly wood load avoiding overloads that cause anomalous stresses and deformations (according to the instructions on paragraph TECHNICAL DESCRIPTION).

YOU SHOULD ALWAYS USE THE PRODUCT WITH THE DOOR CLOSED IN ORDER TO AVOID DAMAGES DUE TO OVERHEATING (FORGE EFFECT). THE INOBSERVANCE OF THIS RULE MAKES THE WARRANTY EXPIRE.

FOR SAFETY REASONS THE DOOR OF THE APPLIANCES MUST BE OPENED ONLY FOR THE LOADING OF THE FUEL OR FOR REMOVING THE ASHES, WHILE DURING THE OPERATION AND THE REST, THE DOOR OF THE HEARTH MUST REMAIN CLOSED.

With the controls positioned on the front of the appliance it is possible to adjust the heat emission of the hearth. They have to be opened according to the calorific need. The best combustion (with minimum emissions) is reached when, by loading the wood, most part of the air for combustion flows through the secondary air register.

NEVER OVERLOAD THE APPLIANCE (SEE THE HOURLY WOOD LOAD IN THE TABLE HERE BELOW). TOO MUCH FUEL AND TOO MUCH AIR FOR THE COMBUSTION MAY CAUSE OVERHEATING AND THEN DAMAGE THE STOVE. YOU SHOULD ALWAYS USE THE APPLIANCE WITH THE DOOR CLOSED IN ORDER TO AVOID DAMAGES DUE TO OVERHEATING (FORGE EFFECT). **THE INOBSERVANCE OF THIS RULE MAKES THE WARRANTY EXPIRE.**

The adjustment of the registers necessary to reach the rated calorific yield with a depression at the flue of 12 Pa (1,2mm of column of water) is the following one: see chapter TECHNICAL DESCRIPTION. **The appliance works as an intermittent operating appliance.**

Besides the adjustment of the air for the combustion, the intensity of the combustion and consequently the thermal performance of the device is influenced by the flue. A good draught of the stack requires a less adjustment of air for combustion, while a poor draught requires a more precise adjustment of air for combustion.

To verify the good combustion, check whether the smoke coming out from the flue is transparent.

If it is white, it means that the device is not properly adjusted or the wood is too wet; if instead the smoke is gray or black, it signals that the combustion is not complete (it is necessary a greater quantity of secondary air).

1.2.1 USE OF THE OVEN

Place the smoke controller in the position USE OF THE OVEN (see chap. TECHNICAL DESCRIPTION)

Thanks to the air flow for the combustion, the temperature of the oven may become remarkably affected. A sufficient flue of the chimney and of the channels, well cleaned for the flow of burning smokes around the oven are fundamental for a good cooking result. Thick cakes and big roasts must be introduced in the lowest level. Flat cakes and biscuits must reach the medium level. The upper level may be used to heat or grill.

The oven pan and the chrome plated oven grille may be located on different plans (see chapter Technical Description - ACCESSORIES).

When cooking food with high humidity, cakes with fruit or fruit itself, water of condensation will be produced. During the cooking process some water vapour in the form of drops of condensed water can deposit onto the top and the side of the door. It is a physical phenomenon.

By opening the door briefly and carefully (1 or 2 times, or even often in case of longer cooking times) you can let out the steam from the cooking compartment and reduce condensation significantly.

1.2.2 OPERATION IN TRANSITION PERIODS

During transition periods when the external temperatures are higher, if there is a sudden increase of temperature it can happen that the combustion gases inside the flue cannot be completely sucked up.

The exhaust gases do not come out completely (intense smell of gas). In this case, shake the grilling of the brazier more frequently and increase the air for the combustion. Then, load a reduced quantity of fuel in order to permit a rapid burning (growing up of the flames) and the stabilization of the draught. Then, check that all openings for the cleaning and the connections to the flue are air-tight.

IN CASE OF DOUBT, DO NOT OPERATE THE PRODUCT.

1.0 MAINTENANCE AND CARE

ALWAYS FOLLOW THE INSTRUCTIONS IN COMPLETE SAFETY!

- ◆ MAKE SURE THAT THE POWER CORD IS UNPLUGGED (IF PRESENT).
- ◆ THAT THE GENERATOR IS COLD ALL OVER.
- ◆ THE ASHES ARE COMPLETELY COLD.
- ◆ ENSURE EFFICIENT AIR EXCHANGE IN THE ROOM DURING THE PRODUCT CLEANING OPERATIONS.
- ◆ POOR CLEANING WILL COMPROMISE CORRECT OPERATION AND SAFETY!

WARNING

THE MAINTENANCE AND CARE MUST BE CARRIED OUT ONLY WITH COLD DEVICE.

YOU SHOULD ONLY USE SPARE PARTS APPROVED AND SUPPLIED BY LA NORDICA S.P.A. PLEASE CONTACT YOUR SPECIALIZED RETAILER IF YOU REQUIRE SPARE PARTS. YOU MUST NOT MAKE ANY CHANGES TO THE DEVICE!!!

1.1 PERIODIC MAINTENANCE UNDER USER'S RESPONSIBILITY

The periodic maintenance, as indicated in this Installation and Operating Instruction, must be performed with the utmost care after reading the instructions, procedures and frequency described in this manual.

Check the external air intake, by cleaning it, at least once a year. The flue must be regularly swept by the chimney sweeper. Let your chimney sweeper in charge of your area check the regular installation of the device, the connection to the flue and the aeration. Refer to the chapter "3.2.2 CHIMNEY AND CHIMNEY CONNECTOR MAINTENANCE" about the potential formation of Creosote in the Chimney and Chimney Connector.

1.1.1 GLASS CLEANING

Thanks to a specific inlet of secondary air, the accumulation of dirty sediments on the glass-door is reduced with efficacy. Nevertheless this can never be avoided by using solid fuels (particularly wet wood) and it has not to be understood as a defect of the appliance. The correct ignition phase, the use of proper quantities and types of fuels, the correct position of the secondary air regulator, enough draught of the chimney-flue and the presence of combustion air are the essential elements for the optimal functioning of the appliance and for the cleaning of the glass.

WARNING

THE CLEANING OF GLASS MUST BE CARRIED OUT ONLY AND EXCLUSIVELY WITH COLD DEVICE TO AVOID THE EXPLOSION OF THE SAME GLASS.

FOR THE CLEANING, IT IS POSSIBLE TO USE SPECIFIC PRODUCTS OR A WET NEWSPAPER PAPER BALL PASSED IN THE ASH TO RUB IT. DO NOT USE CLOTHS, ABRASIVE OR CHEMICALLY AGGRESSIVE PRODUCTS BY CLEANING THE HEARTH GLASS

1.1.2 BROKEN GLASS REPLACEMENT

Kindly follow the following steps in order to securely replace a damaged glass:

- Remove the automatic closing spring, if present, located in the door bottom area
- Remove the door from the product, removing the special pins or the hinges fixed with the locking screws, preferably starting from the upper fixing.
- Place the door on a solid base and remove the fixing screws of the plates or glazing beads, located inside the door
- Remove the damaged glass and clean the door.
- Check that the sealing gaskets on the door or on the glazing beads are not damaged and replace them, if necessary.
- Mount the new glass on the door, taking care to tighten the screws of the glass beads carefully, since if tightened too much they can break the glass.

WARNING

BREAK OF GLASSES:

CERAMIC-BASED GLASSES CAN RESIST UP TO A HEAT SHOCK OF 1382°F (750°C), THEREFORE THEY ARE NOT AFFECTED BY THERMAL SHOCK ISSUES. THEIR BREAK CAN BE CAUSED BY MECHANIC SHOCKS, SUCH AS STRIKING OR SLAMMING SHUT OF THE DOOR.

THEREFORE, THEIR REPLACEMENT IS NOT INCLUDED IN THE WARRANTY.

DO NOT OPERATE THIS UNIT WITH BROKEN GLASSES

BROKEN OR DAMAGED GLASS COMPONENTS SHALL BE REMOVED AND REINSTALLED TAKING CARE ABOUT USING PROPER GASKETS, CUSHIONING DEVICES AND OTHER ACCESSORIES, MAINTAINING EDGE CLEARANCES

REPLACE GLASS ONLY WITH GLASS SUPPLIED FROM THE MANUFACTURER OR DISTRIBUTOR OF THIS APPLIANCE

1.1.3 DIMENSIONS OF THE CERAMIC-BASED GLASSES

The appliance is equipped with the following ceramic-based glasses:

MODEL	Glass geometries (Width x Height x Thickness) [mm]	
	FIRE DOOR	OVEN DOOR
ROSA REVERSE UL-C	13,07 x 12,4 x 0,16 -in (348 x 315 x 4 mm)	8,66 x 12,32 x 0,16 -in (220 x 313 x 4 mm)
ROSA SINISTRA REVERSE UL-C	13,07 x 12,4 x 0,16 -in (348 x 315 x 4 mm)	8,66 x 12,32 x 0,16 -in (220 x 313 x 4 mm)
ROSA UL-C	8,66 x 12,32 x 0,16 -in (220 x 313 x 4 mm)	13,07 x 12,4 x 0,16 -in (348 x 315 x 4 mm)

1.1.4 CLEANING OUT THE ASHES

All the devices are equipped with a hearth grating and an ash drawer for the collection of the ashes (see chapt. CLEANING OF THE HEARTH GRATE).

It is suggested to empty periodically the ash drawer and to avoid it fills completely in order not to overheat the grating. Moreover, it is suggested to leave always 1,18-15,57-in (3-4 cm) of ash in the hearth.

WARNING

ASHES SHOULD BE PLACED IN A METAL CONTAINER WITH A TIGHT-FITTING LID. THE CLOSED CONTAINER OF ASHES SHOULD BE PLACED ON A NONCOMBUSTIBLE FLOOR OR ON THE GROUND, WELL AWAY FROM ALL COMBUSTIBLE MATERIALS, PENDING FINAL DISPOSAL. IF THE ASHES ARE DISPOSED OF BY BURIAL IN SOIL OR OTHERWISE LOCALLY DISPERSED, THEY SHOULD BE RETAINED IN THE CLOSED CONTAINER UNTIL ALL CINDERS HAVE THOROUGHLY COOLED.

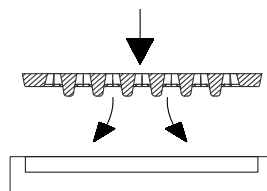
The correct ignition phase, the use of proper quantities and types of fuels, the correct position of the secondary air regulator, enough draught of the chimney-flue and the presence of combustion air are the essential elements for the optimal functioning of the appliance. The device should be completely cleaned at least once a year or every time it is needed (in case of bad working and low yield). An excessive deposit of soot can cause problems in the discharge of smokes and fire in the flue.

WARNING

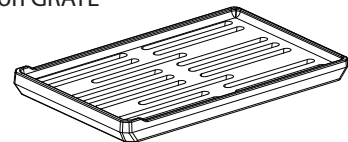
THE CLEANING MUST BE CARRIED OUT EXCLUSIVELY WITH COLD EQUIPMENT. THIS OPERATION SHOULD BE CARRIED OUT BY A CHIMNEY SWEEPER WHO CAN SIMULTANEOUSLY PERFORM AN AUDIT OF THE FLUE (CHECKING OF POSSIBLE CREOSOTE DEPOSITS).

1.1.5 CLEANING OF THE HEARTH GRATE

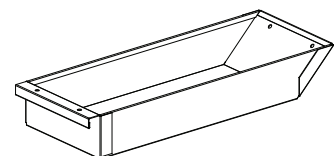
If for whatever reason the grill is removed from the furnace, take care to assemble it with the wider part of the slit facing downwards. This is to aid furnace cleaning.



Thick flat cast-iron GRATE



Ash Drawer



1.1.6 MAINTENANCE OF THE OVEN

To avoid the possible forming of rust it is recommended:

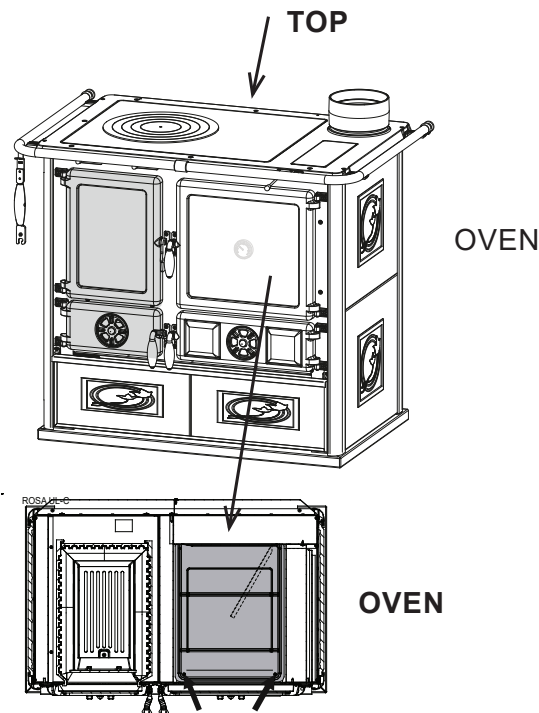
- To let the steam getting out of the oven to reduce the formation of any condensation by opening the door briefly and carefully (1 or 2 times, or more often in case of cooking food very humid and with longer cooking times);
- Remove the food from the oven once cooked. Letting the food to chill in the oven at a temperature below 302°F (150 °C) results in the forming of condensation;
- After cooking, leave the oven door partially open to dry out any condensation;
- In case humidity formed inside the oven, we suggest you to treat with neutral vaseline the inside part of the cast iron door (where existing).
- Repeat the treatment with the neutral vaseline on the inside part of the cast iron door every 3-6 months, depending of the frequency of the use of the oven;
- In case of presence of rust on the inside part of the cast iron door, remove the rust by using abrasive material and then treat the cast iron surface with neutral vaseline.

IN ORDER TO ENSURE THE QUALITY OF THE FOODS THAT ARE COOKED IN THE OVEN, THE INTERNAL PARTS OF THE CAST IRON DOORS HAVE NOT BEEN TREATED WITH ANY PRODUCT.

1.1.7 CLEANING OF THE SMOKE COLLECTION COMPARTMENT

The smokes collection compartment can be cleaned either through the oven :

- remove the horizontal sheet metal which is the base of the **OVEN** (see Picture) ;
- or from the **TOP** (to this purpose remove the circles of the cooking plate and disassemble the smokes pipe from the exhaust small trunk).



! WARNING

THE CLEANING CAN BE CARRIED OUT BY USING A BRUSH AND A HOOVER

ONCE THE CLEANING OPERATIONS ARE TERMINATED ALL THE PARTS HAVE TO BE RE-ASSEMBLED HERMETICALLY.

1.1.8 CAST IRON COOKING PLATE AND RINGS

THE CAST IRON COOKING PLATE AND THE CAST IRON RINGS NEEDS TO BE PERIODICALLY CLEANED BY USING SANDPAPER (GRAIN 150) WITHOUT TOUCHING THE ENAMELLED PARTS.

To carry out the cleaning operation remove:

- the smoke outlet spigot and the smoke pipe.
- The smoke collection compartment can be cleaned either from the oven (see chap. CLEANING OF THE SMOKE COLLECTION COMPARTMENT) or from the top. In this case remove the cast iron rings and the cooking plate, as well the smoke outlet spigot and the smoke pipe.

STAINLESS STEEL COOKING PLATE (WHERE EXISTING)

ONCE YOU HAVE PLACED THE CAST IRON COOKING PLATE, MAKE SURE TO HAVE ALWAYS 3 MM IN-BETWEEN THE COOKING PLATE AND THE STAINLESS STEEL FRAME. THIS GAP IS IMPORTANT BECAUSE OF THE THERMAL EXPANSIONS AND TO AVOID CHROMATIC CHANGES OF THE STAINLESS STEEL FRAME WHEN HOT.

WARNING

TO AVOID RUST DO NOT FORGET POTS OR PANS ON THE COLD COOKING PLATE. THIS WOULD CREATE RUST RINGS, UNPLEASANT TO SEE AND DIFFICULT TO REMOVE.

THE CLEANING CAN BE CARRIED OUT BY USING A BRUSH AND A HOOVER

ONCE THE CLEANING OPERATIONS ARE TERMINATED ALL THE PARTS HAVE TO BE RE-ASSEMBLED HERMETICALLY.

1.1.9 VARNISHED PRODUCTS

After some years of product use a change in the varnished details colour is totally normal. This is due to the considerable temperature range the product is subject to whenever in use and to the varnish ageing of time passing by.

BEFORE ANY POSSIBLE APPLICATION OF THE NEW VARNISH, DO CLEAN AND REMOVE ALL THE TRACES FROM THE SURFACE WHICH HAS TO BE VARNISHED.

1.1.10 ENAMELLED PRODUCTS

For the cleaning of enamelled surfaces use soap water or not aggressive and not chemically abrasive detergents.

AFTER THE CLEANING DO NOT LET SOAPY WATER OR ANY CLEANSER DRY BUT REMOVE THEM IMMEDIATELY.

DO NOT USE SANDPAPER OR STEEL WOOL.

1.1.11 CHROMIUM-COMPONENTS

IF THE COMPONENTS BECOME BLUISH DUE TO OVERHEATING, THIS CAN BE SOLVED WITH A SUITABLE PRODUCT FOR CLEANING. DO NOT USE ABRASIVES OR SOLVENTS.

1.1.12 LATERAL HANDRAIL

THE HANDLES, THE HANDRAIL AND THE TANK WATER (COOKERS) SHOULD BE CLEANED WITH A SOFT CLOTH AND ALCOHOL **WHEN THAT THE GENERATOR IS COLD ALL OVER** . DO NOT USE ABRASIVES OR SOLVENTS.

1.1.13 MAJOLICAS (IF PRESENT)

La NORDICA S.p.A. has chosen majolica tiles, which are the result of high-quality artisan work. As they are completely carried out by hand, the majolica may present crackles, speckles, and shadings. These characteristics certify their precious origin.

Enamel and majolica, due to their different coefficient of dilatation, produce microcrackles, which show their authentic feature.

FOR THE CLEANING OF THE MAJOLICA WE SUGGEST YOU TO USE A SOFT AND DRY CLOTH; IF YOU USE A DETERGENT OR LIQUID, THE LATTER MIGHT SOAK IN AND HIGHLIGHT THE CRACKLES PERMANENTLY.

1.1.14 PRODUCTS MADE OF NATURAL STONE (IF PRESENT)

NATURAL STONE HAS TO BE CLEANED WITH VERY THIN ABRASIVE PAPER OR WITH AN ABRASIVE SPONGE.

DO NOT USE ANY CLEANSER OR FLUID.

1.0 WARRANTY TERMS

IF YOU NEED SERVICE:

1. Before contacting us to arrange service, please determine whether your product requires repair. Some questions can be addressed without service. Please take a few minutes to review the Use and Care Guide.
2. All warranty service is provided exclusively by our authorized LA NORDICA EXTRAFLAME Service Providers. In the U.S. and Canada, direct all requests for warranty service to:

ONE-YEAR LIMITED WARRANTY

WHAT IS COVERED	WHAT IS NOT COVERED
<p>For one year from the date of purchase, when this major appliance is installed, operated and maintained according to instructions attached to or furnished with the product, LA NORDICA EXTRAFLAME will pay for Factory Specified Replacement Parts and repair labor to correct defects in materials or workmanship that existed when this major appliance was purchased, or at its sole discretion replace the product. In the event of product replacement, your appliance will be warranted for the remaining term of the original unit's warranty</p> <p>YOUR SOLE AND EXCLUSIVE REMEDY UNDER THIS LIMITED WARRANTY SHALL BE PRODUCT REPAIR AS PROVIDED HEREIN. Service must be provided by a LA NORDICA EXTRAFLAME designated service company. This limited warranty is valid only in the United States or Canada and applies only when the major appliance is used in the country in which it was purchased. This limited warranty is effective from the date of original consumer purchase. Proof of original purchase date is required to obtain service under this limited warranty.</p> <ul style="list-style-type: none"> • NOT COVERED COMPONENTS: Glasses, Seals, Outer Shell, Cast iron components, All materials that are subjected to wear. • LA NORDICA EXTRAFLAME GUARANTEE THE PRODUCT FOR A PERIOD OF ONE YEAR (12 MONTHS) 	<ol style="list-style-type: none"> 1. Commercial, non-residential, multiple-family use, or use inconsistent with published user, operator or installation instructions. 2. In-home instruction on how to use your product. 3. Service to correct improper product maintenance or installation, installation not in accordance with electrical or plumbing codes or correction of household electrical or plumbing 4. Consumable parts (i.e. air or water filters, preservation solutions, etc.). 5. Damage from accident, misuse, abuse, fire, floods, acts of God or use with products not approved by LA NORDICA EXTRAFLAME . 6. Repairs to parts or systems to correct product damage or defects caused by unauthorized service, alteration or modification of the appliance. 7. Cosmetic damage including scratches, dents, chips, and other damage to the appliance finishes unless such damage results from defects in materials and workmanship and is reported to LA NORDICA EXTRAFLAME within 30 days. 8. Discoloration, rust or oxidation of surfaces resulting from caustic or corrosive environments including but not limited to high salt concentrations, high moisture or humidity or exposure to chemicals. 9. Food or medicine loss due to product failure. 10. Pick-up or delivery. This product is intended for in-home repair. 11. Travel or transportation expenses for service in remote locations where an authorized LA NORDICA EXTRAFLAME servicer is not available. 12. Removal or reinstallation of inaccessible appliances or built-in fixtures (i.e. trim, decorative panels, flooring, cabinetry, islands, countertops, drywall, etc.) that interfere with servicing, removal or replacement of the product. 13. Service or parts for appliances with original model/serial numbers removed, altered or not easily determined.

DISCLAIMER OF IMPLIED WARRANTIES

IMPLIED WARRANTIES, INCLUDING ANY IMPLIED WARRANTY OF MERCHANTABILITY OR IMPLIED WARRANTY OF FITNESS FOR A PARTICULAR PURPOSE, ARE LIMITED TO ONE YEAR OR THE SHORTEST PERIOD ALLOWED BY LAW.

Some states and provinces do not allow limitations on the duration of implied warranties of merchantability or fitness, so this limitation may not apply to you. This warranty gives you specific legal rights, and you may have other rights that vary from state to state or province to province.

DISCLAIMER OF REPRESENTATIONS OUTSIDE OF WARRANTY

LA NORDICA EXTRAFLAME makes no representations about the quality, durability, or need for service or repair of this major appliance other than the representations contained in this warranty.

LIMITATION OF REMEDIES; EXCLUSION OF INCIDENTAL AND CONSEQUENTIAL DAMAGES

YOUR SOLE AND EXCLUSIVE REMEDY UNDER THIS LIMITED WARRANTY SHALL BE PRODUCT REPAIR AS PROVIDED HEREIN. LA NORDICA EXTRAFLAME SHALL NOT BE LIABLE FOR INCIDENTAL OR CONSEQUENTIAL DAMAGES. Some states and provinces do not allow the exclusion or limitation of incidental or consequential damages, so these limitations and exclusions may not apply to you. This warranty gives you specific legal rights, and you may have other rights that vary from state to state or province to province.



Riscalda la vita.

La NORDICA S.p.A. Via Summano, 104 36030 - MONTECCHIO PRECALCINO (VI) - ITALY
☎ +39.0445.804000 - 📠 +39.0445.804040 - ✉ info@lanordica.com - 🌐 www.lanordica-extraflame.com

MADE IN ITALY
design & production

PRODUCED IN ITALY BY **La NORDICA S.p.A.**

TO FIND THE SERVICE CENTRE NEAREST TO YOU CONTACT YOUR DEALER

OR CONSULT THE SITE

WWW.LANORDICA-EXTRAFLAME.COM

Article code - Serial number

Code article - Numéro de série

The Manufacturer reserves the right to vary the features and data shown in this booklet at any time and without prior notice, in order to improve its products.

RÉPERTORIÉ : UL 1482 - 2011, UL 737 - 2011, ULC-S627 - 2000, CHAUFFAGES DE LOCAUX À COMBUSTIBLE SOLIDE

ROSA REVERSE UL-C**ROSA SINISTRA REVERSE UL-C****ROSA UL-C****INSTRUCTIONS
D'INSTALLATION
ET D'UTILISATION****INFORMATIONS DE SÉCURITÉ****AVERTISSEMENT**

VEUILLEZ LIRE LE MANUEL COMPLET AVANT D'INSTALLER ET D'UTILISER VOTRE NOUVEL APPAREIL.

Si cet appareil n'est pas correctement installé, un incendie domestique peut se produire. Pour réduire le risque d'incendie, suivez les instructions d'installation. Le non-respect des instructions peut entraîner des dommages matériels, des blessures corporelles, voire la mort.

- LES AUTORITÉS COMPÉTENTES (TELLES QUE LE SERVICE DES BÂTIMENTS MUNICIPAUX AS, LE SERVICE DES INCENDIES, LE BUREAU DE PRÉVENTION DES INCENDIES, ETC.) DOIVENT ÊTRE CONSULTÉES AVANT L'INSTALLATION POUR DÉTERMINER LA NÉCESSITÉ D'OBTENIR UNE AUTORISATION.
- CHAUD PENDANT LE FONCTIONNEMENT. MAINTENIR LES ENFANTS, LES VÊTEMENTS ET LES MEUBLES À L'ÉCART. LE CONTACT PEUT CAUSER DES BRÛLURES CUTANÉES.
- Ne pas utiliser de grille surélevée ni augmenter le feu.
- Ne pas utiliser de produits chimiques ou de fluides pour allumer l'incendie - ne pas brûler les ordures ou les fluides inflammables
- Ne pas raccorder à un conduit ou un système de distribution d'air
- Ne pas brûler pas les tontes/déchets de pelouse, le caoutchouc, les déchets de produits pétroliers, les peintures ou diluants/ solvants de peinture, le plastique, les matériaux contenant de l'amiante, les débris de construction, les traverses de chemin de fer, le fumier ou les restes d'animaux, le bois de dérive d'eau salée ou les matériaux salés, le bois vert, le papier coloré, le carton, le contreplaqué ou les panneaux de particules. La combustion de ces matériaux peut entraîner la libération de fumées toxiques ou rendre l'appareil inefficace et provoquer de la fumée.

INSTALLATEUR :

CONSERVER CE MANUEL
AVEC L'APPAREIL.

CONSOMMATEUR :

CONSERVER CES
INSTRUCTIONS.

NE JAMAIS LAISSER LES
ENFANTS OU AUTRES
INDIVIDUS À RISQUE SEULS
AVEC L'APPAREIL.

**AVERTISSEMENT**

LE VERRE CHAUD
CAUSERA
DES BRÛLURES.

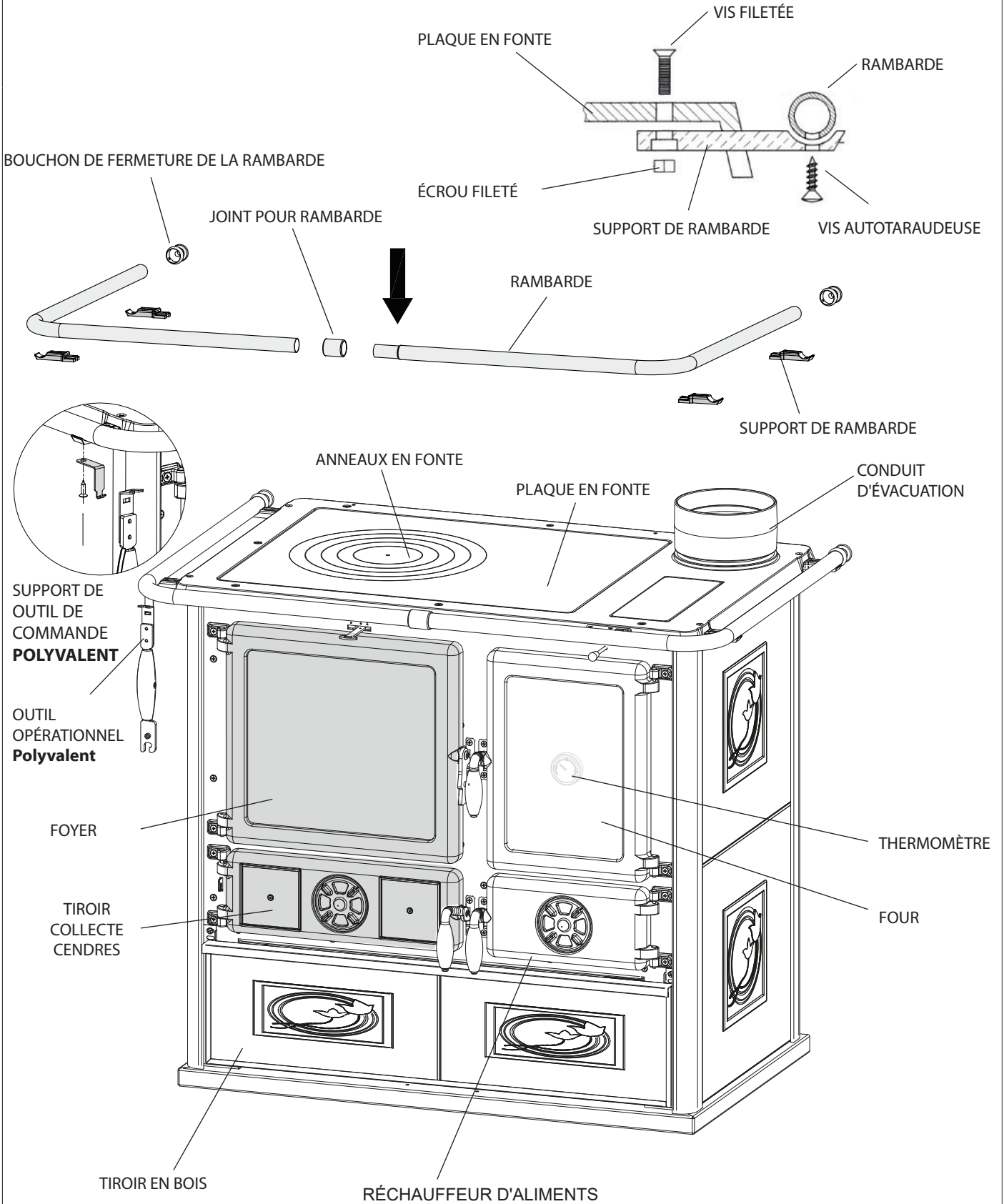
NE PAS TOUCHER LE
VERRE AVANT QU'IL
SOIT REFROIDI.

NE JAMAIS LAISSER
LES ENFANTS
TOUCHER LE VERRE.

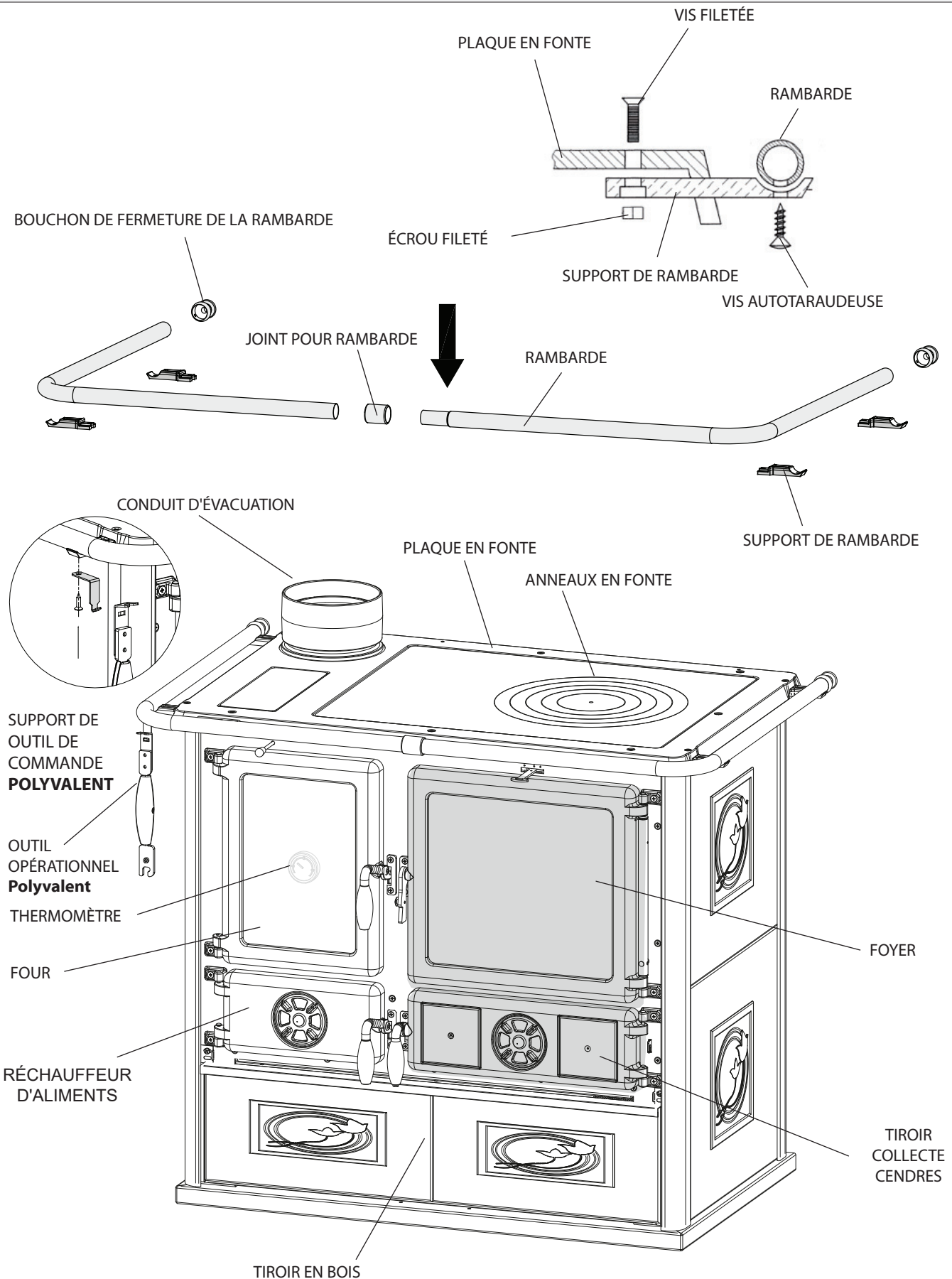
1.0 VUE GÉNÉRALE DE L'INSTALLATION	4
1.1 ROSA REVERSE UL-C	4
1.2 ROSA SINISTRA REVERSE UL-C	5
1.3 ROSA UL-C.....	6
2.0 INTRODUCTION	7
2.1 DIMENSIONS	8
2.2 SPÉCIFICATIONS	12
2.2.1 DU CHAUFFAGE.....	12
2.2.2 CALCUL DE LA PUISSANCE THERMIQUE.....	12
2.3 INSTRUCTIONS GÉNÉRALES	13
2.4 INFORMATIONS GÉNÉRALES.....	14
2.4.1 CARACTÉRISTIQUES DES COMBUSTIBLES AUTORISÉS.....	14
2.4.2 ÉLIMINATION DES CENDRES.....	15
2.5 SÉCURITÉ INCENDIE.....	15
2.5.1 REMARQUES POUR UN BON FONCTIONNEMENT.....	15
2.5.2 EN CAS D'URGENCE.....	15
3.0 PLANIFICATION DE L'INSTALLATION	16
3.1 DISTANCE MINIMALE DE L'APPAREIL DES COMBUSTIBLES.....	16
3.1.1 INSTALLATION EN LIGNE DROITE	17
3.1.2 CONDITIONS REQUISES D'INSTALLATION DE LA PROTECTION DES SOLS	17
3.2 LA CHEMINÉE.....	18
3.2.1 TUYAU DE CONNEXION AVEC LA CHEMINÉE	18
3.2.2 ENTRETIEN DE LA CHEMINÉE ET DE LA CONNEXION AU CONDUIT DE FUMÉE DE LA CHEMINÉE.....	18
3.2.3 ESPACES VERTICAUX INTÉRIEURS MINIMAUX	19
3.2.4 RÉTROFIT CHEMINÉE CLASSE A.....	19
3.2.5 ESPACES VERTICAUX INTÉRIEURS MINIMAUX.....	20
3.2.6 CLASS A CHIMNEY RETROFIT	20
3.2.7 SYSTÈME DE CONNEXION AU CONDUIT DE FUMÉE D'UNE CHEMINÉE ET DÉGAGEMENT DES APPAREILS À FOYER RÉSIDENTIEL À TRAVERS UN MUR COMBUSTIBLE	21
3.3 VENTILATION ET AÉRATION DES PIÈCES POUR L'INSTALLATION.....	22
4.0 - ROSA REVERSE UL-C	23
5.0 - ROSA SINISTRA REVERSE UL-C	23
6.0 DESCRIPTION TECHNIQUE	24
6.1 ACCESSOIRES.....	24
6.2 COMMANDES DE LA CUISINIÈRE	24
6.2.1 POUR ALLUMER LE FEU.....	25
6.2.2 ROSA REVERSE UL-C - COMMENT RÉGLER L'APPAREIL POUR FAIRE BOUILLIR L'EAU.....	25
6.2.3 ROSA REVERSE UL-C - COMMENT RÉGLER L'APPAREIL POUR CUIRE DES BISCUITS.....	25
6.2.4 ROSA SINISTRA REVERSE UL-C - COMMENT RÉGLER L'APPAREIL POUR FAIRE BOUILLIR L'EAU	25
6.2.5 ROSA SINISTRA REVERSE UL-C - COMMENT RÉGLER L'APPAREIL POUR CUIRE DES BISCUITS.....	25
7.0 - ROSA UL-C	26
7.1 DESCRIPTION TECHNIQUE.....	26
7.2 ACCESSOIRES.....	26
7.3 COMMANDES DE LA CUISINIÈRE	27
7.3.1 POUR ALLUMER LE FEU.....	27
7.3.2 COMMENT RÉGLER LA MACHINE POUR FAIRE BOUILLIR L'EAU	27
7.3.3 COMMENT RÉGLER LA MACHINE POUR CUIRE DES BISCUITS	27
8.0 ALLUMAGE	28
8.1 PREMIER ALLUMAGE.....	28
8.1.1 ALLUMAGE À BASSES ÉMISSIONS	29
8.1.2 MODULE D'ALLUMAGE DU FEU.....	29
8.2 FONCTIONNEMENT NORMAL	30
8.2.1 UTILISATION DU FOUR	30
8.2.2 FONCTIONNEMENT PENDANT LES PÉRIODES DE TRANSITION	30
9.0 ENTRETIEN ET SOIN	31
9.1 MAINTENANCE PÉRIODIQUE À LA CHARGE DE L'UTILISATEUR.....	31
9.1.1 NETTOYAGE DE LA VITRE.....	31
9.1.2 REMPLACEMENT DE LA VITRE BRISÉE	32
9.1.3 DIMENSIONS DES VITRES EN VITROCÉRAMIQUE	32
9.1.4 NETTOYAGE DES CENDRES.....	33
9.1.5 NETTOYAGE DE LA GRILLE DU FOYER.....	33
9.1.6 ENTRETIEN DU FOUR	34
9.1.7 NETTOYAGE DU COMPARTIMENT DE COLLECTE DES FUMÉES.....	34
9.1.8 PLAQUE DE CUISSON ET ANNEAUX EN FONTE.....	35
9.1.9 PRODUITS VERNIS	35
9.1.10 PRODUITS ÉMAILLÉS	35
9.1.11 PIÈCES CHROMÉES.....	35
9.1.12 MAIN COURANTE LATÉRALE.....	35
9.1.13 FAÏENCE (LE CAS ÉCHÉANT)	35
9.1.14 PRODUITS EN PIERRE NATURELLE (LE CAS ÉCHÉANT)	35
9.2 ARRÊT ESTIVAL	36
9.3 ENTRETIEN DE ROUTINE EFFECTUÉ PAR DES TECHNICIENS QUALIFIÉS.....	36
9.3.1 JOINTS D'ÉTANCHÉITÉ.....	36
9.3.2 RACCORDEMENT AU RACCORD	36
10.0 CONDITIONS DE GARANTIE	37

1.0 VUE GÉNÉRALE DE L'INSTALLATION

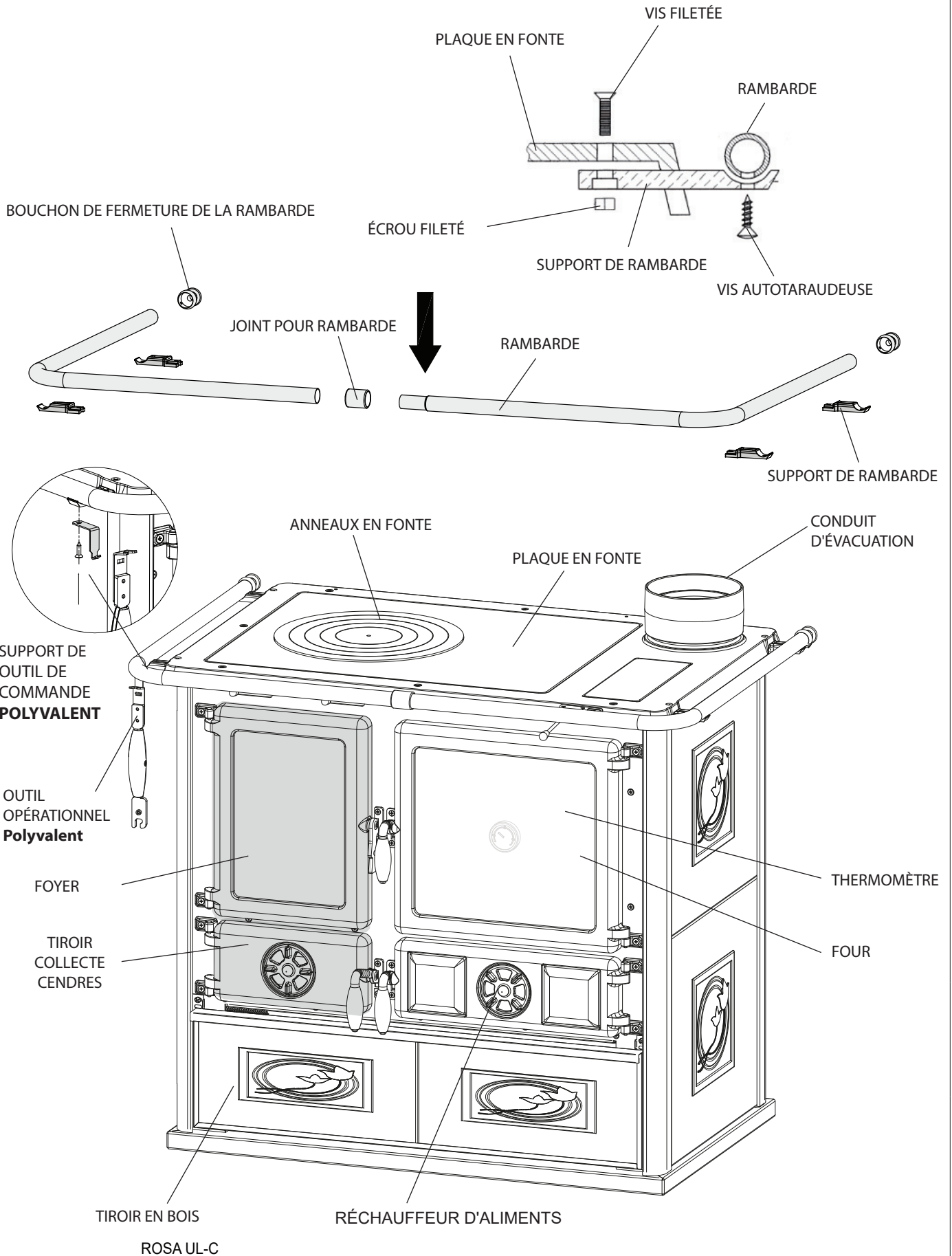
1.1 ROSA REVERSE UL-C



1.2 ROSA SINISTRA REVERSE UL-C



1.3 ROSA UL-C



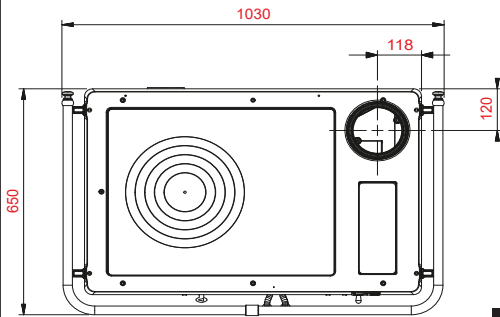
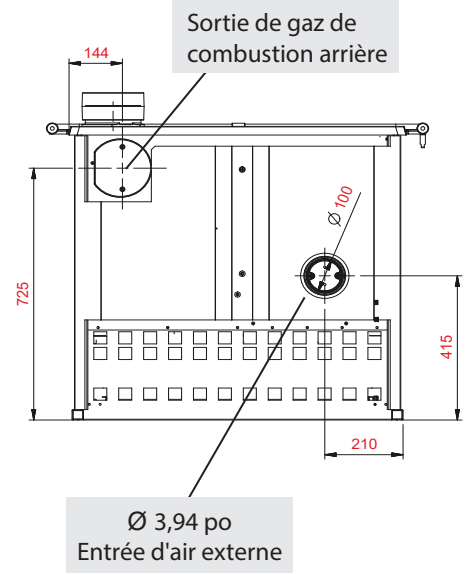
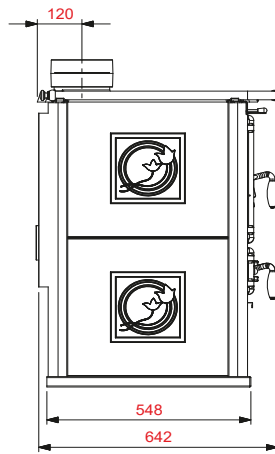
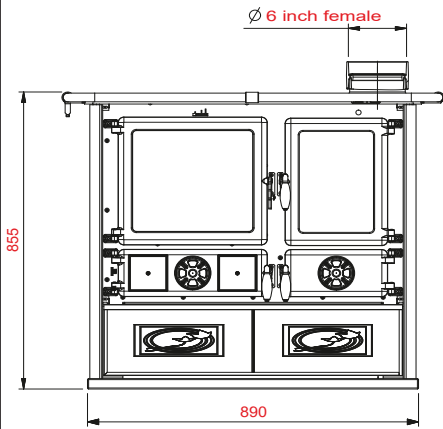
2.0 INTRODUCTION



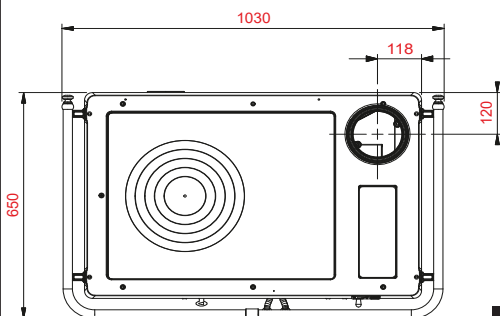
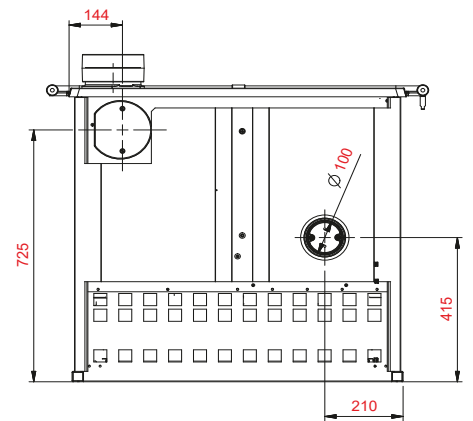
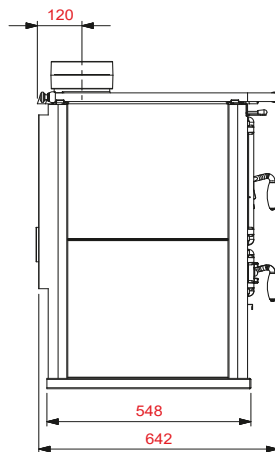
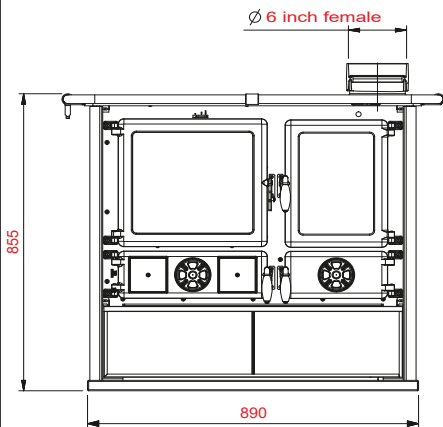
AVERTISSEMENTS

- ♦ Cet appareil est chaud quand il est utilisé et peut provoquer de graves brûlures en cas de contact.
- ♦ Ne pas utiliser cet appareil avant de lire et de comprendre les instructions d'utilisation. Ne pas utiliser l'appareil conformément aux instructions d'utilisation peut provoquer un incendie ou des blessures. Consulter les autorités compétentes (par exemple, le service des bâtiments municipaux, le service des incendies, le bureau de prévention des incendies, etc.) et suivre leurs directives. Informer également votre compagnie d'assurance de la présence de cet appareil.
- ♦ Ne jamais essayer de réparer ou de remplacer une partie de l'appareil, sauf si des instructions sont données dans ce manuel. Tous les autres travaux doivent être effectués par un technicien qualifié.
- ♦ Risque de brûlures. L'appareil doit être éteint et refroidi avant l'entretien.
- ♦ Ne pas faire fonctionner sans assembler complètement tous les composants.
- ♦ Ne pas installer de composants endommagés, incomplets ou de remplacement.
- ♦ Risque de coupures et d'abrasions. Porter des gants de protection et des lunettes de sécurité pendant l'installation. Les bords des tôles peuvent être tranchants.
- ♦ Les enfants et les adultes doivent être avertis des dangers d'une température de surface élevée et doivent rester à l'écart pour éviter les brûlures ou l'inflammation des vêtements. Les tout-petits, les jeunes enfants et d'autres personnes peuvent être exposés à des brûlures accidentelles par contact. Une barrière physique est recommandée s'il y a des personnes à risque dans la maison. Pour restreindre l'accès à un appareil ou à une cuisinière, installer une barrière de sécurité réglable pour maintenir les tout-petits, les jeunes enfants et les autres personnes à risque hors de la pièce et loin des surfaces chaudes.
- ♦ Les vêtements ou autres matériaux inflammables ne doivent pas être placés sur ou à proximité de l'appareil.
- ♦ En raison des températures élevées, l'appareil doit être situé hors de la circulation et à l'écart des meubles et des draperies.
- ♦ S'assurer d'avoir intégré des mesures de sécurité adéquates pour protéger les nourrissons et les tout-petits contre le contact avec les surfaces chaudes.
- ♦ Même après l'arrêt de l'appareil, le verre et/ou l'écran resteront chauds pendant une période prolongée.
- ♦ Demandez à votre revendeur spécialisé local les écrans de sécurité et les protecteurs de foyer afin de protéger les enfants contre les surfaces chaudes. Ces écrans et protections doivent être fixés au sol.
- ♦ Tout écran de sécurité ou protecteur retiré pour l'entretien doit être remis en place avant de réutiliser l'appareil. Il est impératif que les compartiments de commande, les brûleurs et la soufflante de circulation ainsi que son passage dans l'appareil et le système de ventilation soient maintenus propres. L'appareil et son système de ventilation doivent être inspectés avant utilisation et au moins une fois par an par un technicien qualifié. Un nettoyage plus fréquent peut être nécessaire en raison de peluches excessives provenant de la moquette, du matériel de literie, etc. La zone de l'appareil doit être dégagée et exempte de matériaux combustibles, d'essence et d'autres vapeurs et liquides inflammables.
- ♦ Cet appareil ne doit pas être modifié ni saboté.
- ♦ Ne pas utiliser cet appareil si une pièce a été immergée. Appeler immédiatement un technicien de service qualifié pour inspecter l'appareil et remplacer toute pièce du système de contrôle et toute commande de gaz qui a été sous l'eau.
- ♦ Ne pas faire fonctionner l'appareil avec la porte vitrée retirée, fissurée ou cassée. Le remplacement du verre doit être effectué par un technicien agréé ou qualifié. La porte de visualisation et le bac de collecte des cendres doivent être fermés et verrouillés pendant le fonctionnement.
- ♦ Ne pas frapper ni claquer la porte vitrée de l'appareil.
- ♦ Seules les portes /façades en option certifiées avec l'appareil doivent être installées sur l'appareil.
- ♦ Garder le matériel d'emballage hors de portée des enfants et le jeter en toute sécurité. Comme pour tous les sacs en plastique, ce ne sont pas des jouets et doivent être tenus à l'écart des enfants et des nourrissons.
- ♦ Si l'appareil n'est pas correctement installé, un incendie domestique peut se produire. Ne pas exposer l'appareil aux éléments (par ex. pluie, etc.) et le maintenir au sec en tout temps. L'isolation humide dégage une odeur lorsque l'appareil est utilisé.
- ♦ La cheminée doit être saine et exempte de fissures. Nettoyer votre cheminée au moins deux fois par an et plus au besoin.
- ♦ L'appareil est conçu et approuvé uniquement pour le bois de chauffage en rondins secs. Tout autre type de combustible brûlé dans cet appareil annulera la garantie.
- ♦ Ne pas amorcer un feu avec des produits chimiques ou des fluides tels que de l'essence, de l'huile moteur, etc.
- ♦ Les cendres doivent être jetées dans un récipient métallique doté d'un couvercle étanche et placées sur une surface incombustible bien loin de la maison ou de la structure.
- ♦ Votre appareil nécessite d'un entretien et d'un nettoyage périodiques. Le fait de ne pas entretenir votre appareil peut entraîner un déversement de fumée dans votre maison.
- ♦ S'assurer que les évacuations des combustibles sont maintenues lors de la construction d'un manteau ou d'étagères au-dessus de l'appareil. Des températures élevées sur le mur ou dans l'air au-dessus de l'appareil peuvent provoquer la fusion, la décoloration ou des dommages aux décorations, à un téléviseur ou à d'autres composants électroniques.
- ♦ CONSERVER CES INSTRUCTIONS. Ce manuel contient d'importantes instructions d'utilisation et d'entretien dont vous aurez besoin ultérieurement. Toujours suivre les instructions contenues dans ce manuel.
- ♦ LE SYSTÈME D'ÉVACUATION DOIT ÊTRE VÉRIFIÉ ET NETTOYÉ UNE FOIS PAR AN MINIMUM EN RAISON DE L'ACCUMULATION DE SUIE OU DE CRÉOSOTE.
- ♦ CET APPAREIL DEVIENT TRÈS CHAUD, VOUS DEVEZ PORTER DES GANTS RÉSISTANTS À LA CHALEUR LORS DU NETTOYAGE OU DE LA MANIPULATION DE CET APPAREIL.

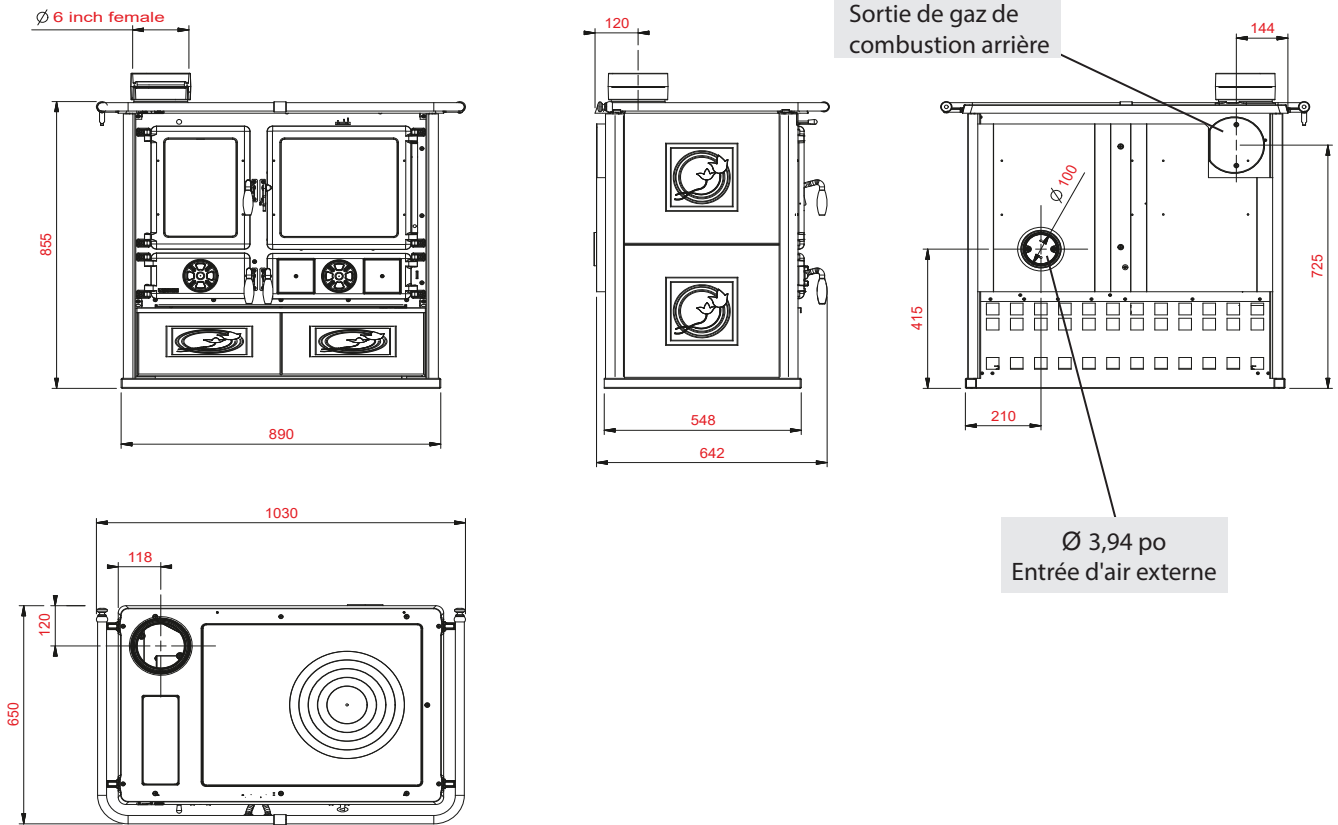
2.1 DIMENSIONS



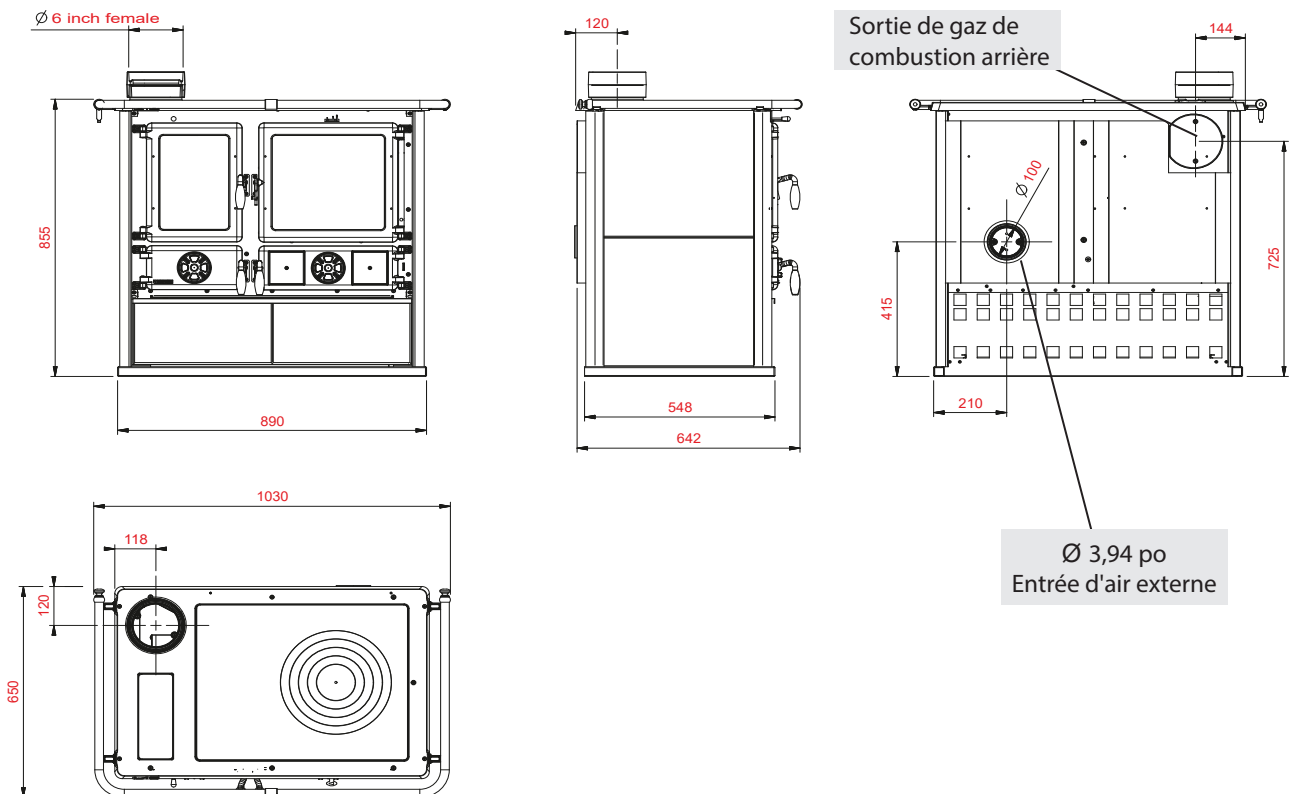
ROSA REVERSE UL-C Ceramic - 183 kg



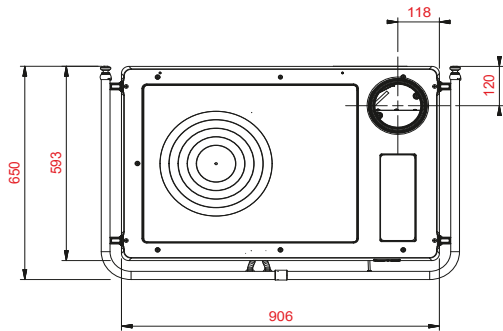
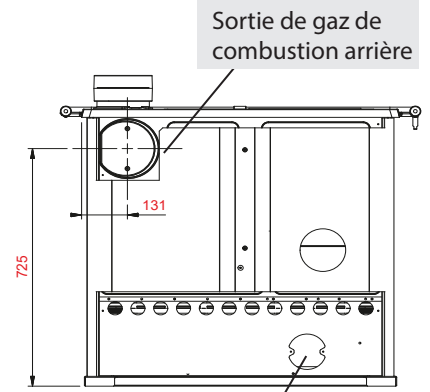
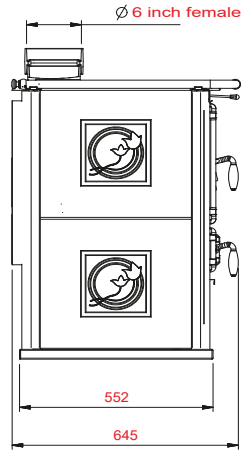
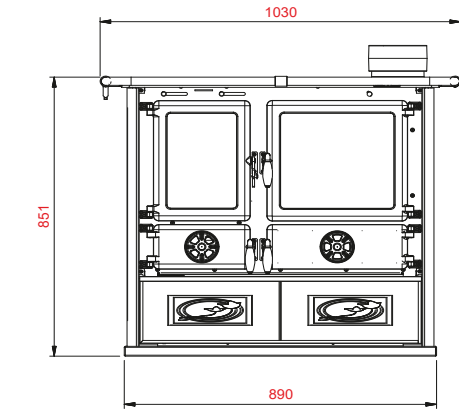
ROSA REVERSE UL-C Stone - 200 kg



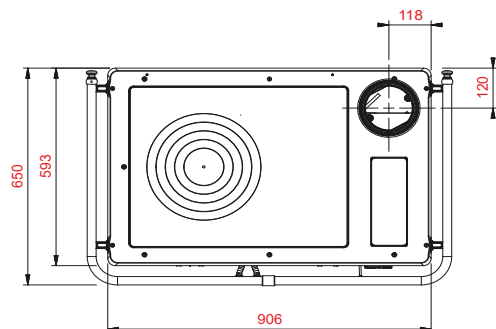
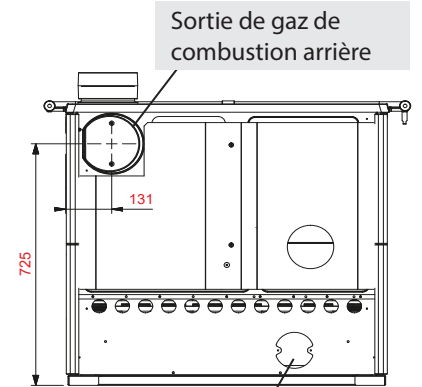
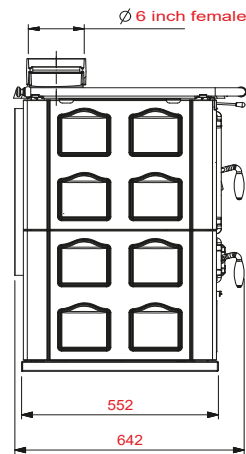
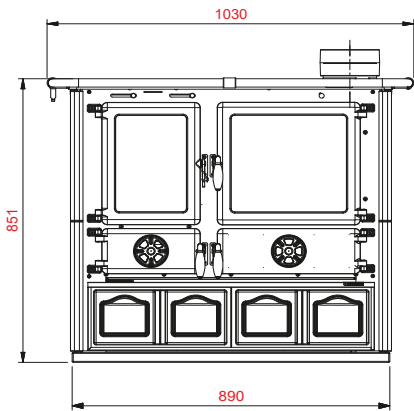
ROSA SINISTRA REVERSE UL-C Ceramic - 183 kg



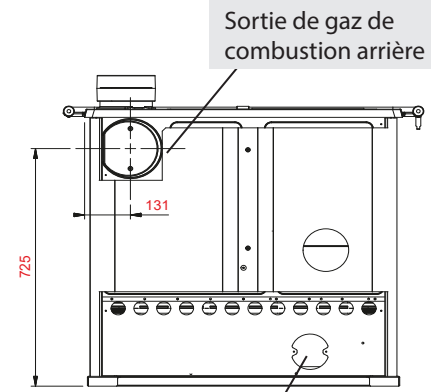
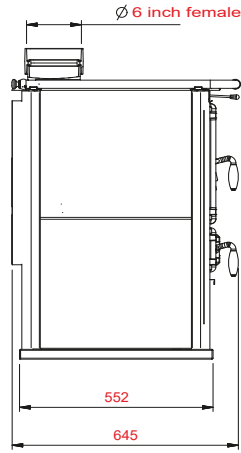
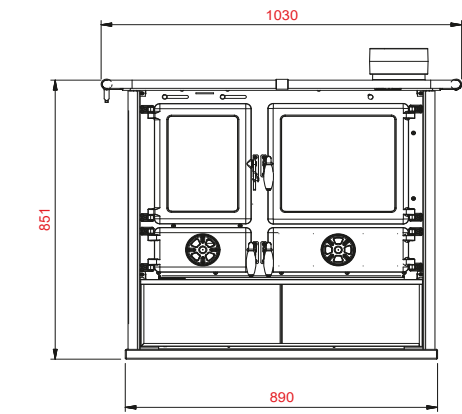
ROSA SINISTRA REVERSE UL-C Stone - 200 kg



ROSA UL-C Ceramic - 183 kg

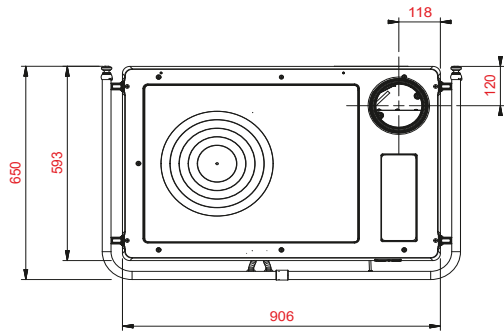


ROSA UL-C Majolica - 204 kg



Sortie de gaz de combustion arrière

Ø 3,94 po
Entrée d'air externe



ROSA UL-C Stone - 200 kg

2.2 SPÉCIFICATIONS

	ROSA REVERSE UL-C	ROSA SINISTRA REVERSE UL-C	ROSA UL-C
Sortie de gaz de combustion diamètre en mm	150	150	150
Taille d'ouverture du foyer en mm (L x H)	349 x 235	349 x 235	223 x 265
Taille du foyer en mm (L x H x P)	374 x 290 x 320	374 x 290 x 320	270 x 320 x 362
Taille du four en mm (L x H x P)	245 x 300 x 384	245 x 300 x 384	330 x 300 x 410
Type de grill	Movable - flat	Movable - flat	Movable - flat
Hauteur en mm	855	855	851
Largeur en mm	1030	1030	1030
Profondeur en mm	650	650	650
Poids en kg	DIMENSIONS du chapitre		

2.2.1 DU CHAUFFAGE

	ROSA REVERSE UL-C	ROSA SINISTRA REVERSE UL-C	ROSA UL-C
Puissance nominale en kW	8,1	8,2	8,4
Efficacité en %	81,1	86,5	87,1
Hauteur de Cheminée \geq (m) - dimension (mm)	(*) 4 - 200x200 Ø200	(*) 4 - 200x200 Ø200	(*) 4 - 200x200 Ø200
Tirage de la cheminée en Pa (mm H ₂ O)	12 (1,2 mm H ₂ O)	12 (1,2 mm H ₂ O)	10 (1,0 mm H ₂ O)
Tirage de la cheminée MAX en Pa (mm H ₂ O)	(***)15 (1,5 mm H ₂ O)	(***)15 (1,5 mm H ₂ O)	(***)15 (1,5 mm H ₂ O)
Consommation horaire de bois en kg/h	2,3	2,3	2,3
CO mesuré à 13 % d'oxygène en %	0,07 - (910 mg/Nm ³)	0,05 - (609 mg/Nm ³)	0,067 - (843 mg/Nm ³)
Émissions de gaz de combustion en g/s - bois	7,8	6,9	6,6
Température des gaz de combustion en °C - bois	237	189	192
Volume pouvant être chauffé en m ³ (30 kcal/h x m ³)	232 (**)	235 (**)	240 (**)

(*) La valeur proposée est indicative. Cet appareil doit être raccordé à (1) une cheminée de type HT (2100°F) homologuée selon UL 103 ou ULC 5629, ou (2) une cheminée en maçonnerie approuvée par le code avec un revêtement du conduit. La taille de la cheminée ne doit pas être inférieure ou plus de trois fois supérieure à la section transversale du conduit de cheminée.

(**) Pour les bâtiments dans lesquels l'isolation thermique ne correspond pas aux instructions de protection thermique, le volume de chauffage du produit est : type de bâtiment favorable (30 kcal/h x m³) ; type de bâtiment moins favorable (40 kcal/h x m³) ; type de bâtiment défavorable (50 kcal/h x m³).

(***) Lorsque la dépression dépasse 15 Pa (=1,5 mm de colonne d'eau), il est nécessaire de la réduire en installant un dispositif approprié sur le tuyau d'échappement ou dans la cheminée, selon la réglementation en vigueur.

Avec une isolation thermique conforme à la réglementation en matière d'économie d'énergie, le volume chauffé est plus important. Avec le chauffage temporaire, en cas d'interruptions de plus de 8 heures, la capacité de chauffage est réduite d'environ 25 %.

Les données techniques déclarées ont été obtenues en brûlant du bois de hêtre de classe « A1 » selon l'exigence UNI EN ISO 17225-5 et une teneur en humidité du bois inférieure à 20 %. En brûlant un autre type de bois, l'efficacité du produit lui-même pourrait changer et des ajustements spécifiques sur l'appareil pourraient être nécessaires.

2.2.2 CALCUL DE LA PUISSANCE THERMIQUE

Il n'y a pas de règle absolue pour calculer la puissance nécessaire correcte. Cette puissance est donnée en fonction de l'espace à chauffer, mais elle dépend aussi largement de l'isolation. En moyenne, le pouvoir calorifique nécessaire pour un local bien isolé est de **30 kcal/h par m³** (pour une température extérieure de 0°C).

Étant donné que **1 kW correspond à 860 kcal/h**, on peut adopter une valeur de **35 W/m³**.

Supposons que l'on souhaite chauffer une pièce de 150 m³ (10 x 6 x 2,5 m) dans un appartement isolé. Dans ce cas, il faut avoir 150 m³ x 35 W/m³ = 5250 W ou 5,25 kW. Comme chauffage principal, un dispositif de 8 kW est donc suffisant.

Combustible	Unité	Valeur approximative de combustion		Quantité requise par rapport à 1 kg de bois sec
		kcal/h	kW	
Bois sec (15 % d'humidité)	kg	3600	4,2	1,00
Bois mouillé (50 % d'humidité)	kg	1850	2,2	1,95
Briquettes de bois	kg	4000	5,0	0,84
Briquettes de charbon marron	kg	4800	5,6	0,75
Anthracite normal	kg	7700	8,9	0,47
Coke	kg	6780	7,9	0,53
Gaz naturel	m ³	7800	9,1	0,46
Naphte	L	8500	9,9	0,42
Électricité	kWh	860	1,0	4,19

2.3 INSTRUCTIONS GÉNÉRALES



AVERTISSEMENTS

NE PAS CONNECTER CET APPAREIL À UN CONDUIT DE CHEMINÉE DESSERVANT UN AUTRE APPAREIL. NE PAS RACCORDER À UN CONDUIT OU UN SYSTÈME DE DISTRIBUTION D'AIR.

PRÉVOIR UN DÉGAGEMENT SUFFISANT POUR L'ENTRETIEN ET LE FONCTIONNEMENT DE L'APPAREIL.

FOURNIR UNE VENTILATION ADÉQUATE.

NE JAMAIS OBSTRUER L'OUVERTURE AVANT DE L'APPAREIL.

LES OBJETS PLACÉS DEVANT L'APPAREIL DOIVENT ÊTRE MAINTENUS A UN MINIMUM DE 48 po (1200mm) DE LA FACE AVANT DE L'APPAREIL.

Nous vous remercions d'avoir choisi notre société ; notre produit est une excellente solution de chauffage développée à partir de la technologie la plus avancée avec une conception de qualité supérieure et un design moderne, visant à vous faire profiter de la sensation fantastique que la chaleur d'une flamme donne, en toute sécurité.

La responsabilité de La société La NORDICA S.p.a. se limite à la fourniture de l'appareil.

Son installation doit être réalisée dans les règles de l'art, selon les présentes instructions et les règles de la profession. L'installation ne doit être réalisée que par un technicien qualifié qui agit au nom de sociétés aptes à assumer l'entière responsabilité de l'ensemble de l'installation.

Ce manuel d'instructions fait partie intégrante du produit : s'assurer qu'il accompagne toujours l'appareil, même s'il est transféré à un autre propriétaire ou utilisateur, ou s'il est transféré à un autre endroit. S'il est abîmé ou perdu, demander une autre copie au technicien régional.

Ce produit est destiné à l'usage pour lequel il a été expressément conçu. Le fabricant est exonéré de toute responsabilité, contractuelle et extracontractuelle, pour les blessures/dommages causés aux personnes/animaux et aux objets, en raison d'erreurs d'installation, de réglage et d'entretien et d'une mauvaise utilisation

L'installation doit être effectuée par un personnel qualifié, qui assume l'entière responsabilité de l'installation définitive et du bon fonctionnement du produit installé. Il faut également garder à l'esprit toutes les lois et normes nationales, régionales, provinciales et municipales présentes dans le pays dans lequel l'appareil a été installé, ainsi que les instructions contenues dans ce manuel. Le Constructeur n'assume aucune responsabilité en cas de non-respect de ces précautions.

Après avoir retiré l'emballage, s'assurer que le contenu est intact et complet. Sinon, contactez le concessionnaire où l'appareil a été acheté.

Tous les composants qui composent le produit doivent être remplacés par des pièces de rechange d'origine exclusivement par un centre après-vente agréé, garantissant ainsi un bon fonctionnement.

La société LA NORDICA S.p.A. décline toute responsabilité pour le produit qui a été modifié sans autorisation écrite ainsi que pour l'utilisation de pièces de rechange non originales.

2.4 INFORMATIONS GÉNÉRALES

2.4.1 CARACTÉRISTIQUES DES COMBUSTIBLES AUTORISÉS



AVERTISSEMENTS

LES COMBUSTIBLES AUTORISÉS SONT SOUCHES DE BOIS. UTILISER EXCLUSIVEMENT DES SOUCHES DE BOIS SEC (CONTENU D'EAU MAX. 20 %).

3 BÛCHES MAXIMUM DOIVENT ÊTRE CHARGÉES.

LES PIÈCES DE BOIS DOIVENT AVOIR UNE LONGUEUR D'ENV. 7,9- 11,8 in (20-30 CM).
ET UNE CIRCONFÉRENCE DE MAXIMUM 11,8-13,8 in (30-35 CM) .

LES BRIQUETTES DE BOIS NON TRAVAILLÉES DOIVENT ÊTRE UTILISÉES AVEC PRÉCAUTION POUR ÉVITER UNE SURCHAUFFE QUI POURRAIT ENDOMMAGER L'APPAREIL, CAR ELLES ONT UN POUVOIR CALORIFIQUE TRÈS ÉLEVÉ.

IL N'EST PAS POSSIBLE DE BRÛLER : CHARBON, DÉCOUPES, DÉCHETS D'ÉCORCE ET PANNEAUX, BOIS HUMIDE OU BOIS TRAITÉ AVEC VERNIS, MATÉRIAUX EN PLASTIQUE ; DANS CE CAS, LA GARANTIE SUR L'APPAREIL ÉCHOIT.

LA COMBUSTION DE DÉCHETS EST INTERDITE ET ENDOMMAGERAIT EN OUTRE L'APPAREIL ET LE CONDUIT D'ÉVACUATION DE LA FUMÉE, NUISANT ÉGALEMENT À LA SANTÉ ET POUVANT DONNER LIEU À DES RÉCLAMATIONS DE LA PART DES VOISINS A CAUSES DES MAUVAISES ODEURS.

LORS DE L'UTILISATION DU MAUVAIS COMBUSTIBLE OU D'UN COMBUSTIBLE TROP HUMIDE, EN RAISON DE DÉPÔTS PRÉSENTS DANS LE CONDUIT DE FUMÉE, UN INCENDIE DE SUIE EST POSSIBLE.

LE PAPIER ET LE CARTON DOIVENT ÊTRE UTILISÉS UNIQUEMENT POUR ALLUMER LE FEU.

LE BOIS N'EST PAS UN COMBUSTIBLE DE LONGUE DURÉE ET, PAR CONSÉQUENT, UN CHAUFFAGE CONTINU DU POÊLE PENDANT LA NUIT N'EST PAS POSSIBLE.

NE JAMAIS UTILISER D'ESSENCE, DE COMBUSTIBLE POUR LANTERNE TYPE GASOLINE, DE KÉROSÈNE, DE LIQUIDE POUR BRIQUET, DE CHARBON DE BOIS, OU DES LIQUIDES SIMILAIRES POUR DÉMARRER OU POUR « RAFRAÎCHIR » UN FEU DANS CE POÊLE. GARDER TOUS CES LIQUIDES BIEN LOIN DU POÊLE PENDANT QU'IL EST EN SERVICE.

NORMES SUR LE BOIS

Les données techniques déclarées ont été obtenues en brûlant du bois de hêtre de classe « A1 » selon l'exigence UNI EN ISO 17225-5 et une teneur en humidité du bois inférieure à 20 %. En brûlant un autre type de bois, l'efficacité du produit lui-même pourrait changer et des ajustements spécifiques sur l'appareil pourraient être nécessaires.

Le bois utilisé comme combustible doit avoir une teneur en humidité inférieure à 20 % et doit être stocké dans un endroit sec. Le bois humide a tendance à brûler moins facilement, car il faut une plus grande quantité d'énergie pour sécher le bois. De plus, la teneur en humidité présente l'inconvénient que, lorsque la température diminue, l'eau se condense plus tôt dans le foyer et donc dans la cheminée provoquant un dépôt considérable de suie est susceptible de s'enflammer.

Le bois frais contient environ 60 % de H₂O et il ne convient donc pas pour être brûlé.

Il est nécessaire de placer ce bois dans un endroit sec et ventilé (par exemple sous une toiture) pendant au moins deux ans avant de l'utiliser.

Variété	kg/m ³	kWh/kg d'humidité 20%
Hêtre	750	4,0
Chêne	900	4,2
Orme	640	4,1
Peuplier	470	4,1
Mélèze*	660	4,4
Sapin rouge*	450	4,5
Pin sylvestre*	550	4,4

* BOIS RÉSINEUX PEU ADAPTÉS POUR UN POÊLÉ



AVERTISSEMENTS

EN UTILISANT DE FAÇON CONTINUE ET PROLONGÉE DU BOIS AROMATISÉ (EX : EUCALYPTUS, MYRTE, ETC.) ON CAUSE RAPIDEMENT DES DÉGÂTS (CLIVAGE) AU NIVEAU DES ÉLÉMENTS EN FONTE DU PRODUIT.

2.4.2 ÉLIMINATION DES CENDRES

Ashes should be placed in a metal container with a tight-fitting lid. The closed container of ashes should be placed on a noncombustible floor or on the ground, well away from all combustible materials, pending final disposal. If the ashes are disposed of by burial in soil or otherwise locally dispersed, they should be retained in the closed container until all cinders have thoroughly cooled.

2.5 SÉCURITÉ INCENDIE



AVERTISSEMENTS

PENDANT LA COMBUSTION, L'ÉNERGIE THERMIQUE EST LIBÉRÉE, CE QUI CONDUIT À UN ÉCHAUFFEMENT CONSIDÉRABLE DES SURFACES, DES PORTES, DES POIGNÉES, DES COMMANDES, DES PARTIES EN VERRE, DE LA CONDUITE DE GAZ DE COMBUSTION ET ÉVENTUELLEMENT DE LA PARTIE AVANT DU POËLE.

ÉVITER TOUT CONTACT AVEC CES ÉLÉMENTS À MOINS D'UTILISER DES VÊTEMENTS DE PROTECTION OU DES ACCESSOIRES APPROPRIÉS.

S'ASSURER QUE LES ENFANTS SONT CONSCIENTS DE CES DANGERS ET LES TENIR LOIN DU FOUR LORSQU' IL EST EN MARCHÉ.

2.5.1 REMARQUES POUR UN BON FONCTIONNEMENT

Cet appareil doit fonctionner exclusivement avec le tiroir à cendres inséré. La (les) porte (s) de ravitaillement et d'évacuation des cendres doit (doivent) rester fermée (s) pendant le fonctionnement.

Les résidus solides de combustion (cendres) doivent être recueillis dans un récipient étanche et résistant au feu.

Le Produit ne doit jamais être allumé en présence d'émissions gazeuses ou de vapeurs (par exemple colle pour linoléum, essence, etc.).

Ne jamais déposer de matériaux inflammables à proximité du poêle.

2.5.2 EN CAS D'URGENCE

En cas d'incendie dans le conduit de la cheminée :

Fermer la porte de chargement et la porte du tiroir à cendres

Fermer les registres d'air comburant

Utiliser des extincteurs au dioxyde de carbone (poudre de CO₂) pour éteindre l'incendie

Demander l'intervention immédiate des pompiers



AVERTISSEMENTS

NE PAS ÉTEINDRE LE FEU AVEC DE L'EAU.

LORSQUE LE CONDUIT DE CHEMINÉE CESSE DE BRÛLER, LE FAIRE CONTRÔLER PAR UN SPÉCIALISTE POUR IDENTIFIER LES FISSURES OU LES POINTS PERMÉABLES.

3.0 PLANIFICATION DE L'INSTALLATION

AVERTISSEMENTS

LIRE L'INTÉGRALITÉ DE CE MANUEL AVANT D'INSTALLER ET D'UTILISER CET APPAREIL. LE NON-RESPECT DES INSTRUCTIONS PEUT ENTRAÎNER DES DOMMAGES MATÉRIELS, DES BLESSURES CORPORELLES VOIRE LA MORT.

UTILISER UNIQUEMENT DES ACCESSOIRES ET DES PIÈCES DE RECHANGE APPROUVÉS EN OPTION AVEC CET APPAREIL. UTILISATION D'ACCESSOIRES ET DE PIÈCES DE RECHANGE NON RÉPERTORIÉS (SOUFFLANTES, PORTES, JOINTS, COMPOSANTS D'ÉVENT, ETC.) PEUT ENTRAÎNER UN DANGER POUR LA SÉCURITÉ ET ANNULERA LA GARANTIE.

LE REVÊTEMENT UTILISÉ DOIT ÊTRE INCOMBUSTIBLE ET APPROUVÉ SELON LA NORME UL1618 POUR LES ÉTATS-UNIS OU APPROUVÉ SELON LES CODES LOCAUX.

L'installation du Produit et des équipements auxiliaires par rapport au système de chauffage doit être conforme à toutes les Normes et Réglementations en vigueur et à celles envisagées par la loi.

L'installation et tout ce qui concerne les branchements du système, la mise en service et le contrôle du bon fonctionnement doivent être effectués conformément à la réglementation en vigueur par du personnel professionnel habilité doté des conditions requises par la loi, présent au niveau national, régional, provincial ou municipal dans le pays dans lequel l'appareil est installé, en plus des présentes instructions. L'installation doit être effectuée par du personnel autorisé qui doit fournir à l'acheteur une déclaration de conformité du système et assumera l'entière responsabilité de l'installation finale et, par conséquent, du bon fonctionnement du produit installé.

Le Produit, assemblé et prêt pour l'installation, doit être raccordé au moyen d'un raccord au conduit existant de la maison. Le raccord doit être éventuellement court, droit, horizontal ou positionné un peu en montée. Les raccordements doivent être serrés.

Avant d'installer cet appareil, effectuer les vérifications suivantes :

- vérifier où se trouve le raccord de gaz de combustion sur l'appareil, c.-à-d. SUPÉRIEUR - ARRIÈRE - LATÉRAL
- vérifier si votre structure peut supporter le poids de l'appareil. En cas de capacité de charge insuffisante, il est nécessaire d'adopter des mesures appropriées, la responsabilité de La NORDICA est limitée à la fourniture de l'appareil (voir chapitre DESCRIPTION TECHNIQUE).
- S'assurer que le sol peut supporter le poids de l'appareil (par exemple, en distribuant le bois de la plaque) et, s'il est fait de matériau inflammable, fournir une protection de sol homologuée **UL 1618** appropriée.
- S'assurer qu'il y a une ventilation adéquate dans la pièce où l'appareil doit être installé, en accordant une attention particulière aux fenêtres et aux portes à fermeture étanche (cordons d'étanchéité).
- Ne pas installer l'appareil dans des pièces contenant des conduits de ventilation collective, des hottes avec ou sans extracteur, des appareils à gaz de type B, des pompes à chaleur ou d'autres appareils qui, fonctionnant en même temps, peuvent mettre la pièce en dépression.
- S'assurer que le conduit d'évacuation de la fumée et les conduits auxquels sera raccordé l'appareil soient adéquats pour le fonctionnement de cet appareil. Il n'est pas permis de raccorder plusieurs appareils à la même cheminée.
- Le diamètre d'ouverture pour la connexion à la cheminée doit correspondre au moins avec le diamètre du tuyau de la fumée. L'ouverture devrait être dotée d'une connexion murale pour introduire le tuyau d'échappement et d'une rosace.
- Si le trou d'échappement des fumées n'est pas utilisé, il devra être recouvert par le bouchon prévu à cet effet (voir chapitre DIMENSIONS).
- L'installation doit être faite pour permettre le nettoyage et l'entretien du produit et du conduit des fumées.
- Il est recommandé d'installer des détecteurs de fumée.

Le ramoneur habituel de votre zone doit être informé de la mise en place de l'appareil pour qu'il puisse en contrôler la juste connexion au conduit de fumée et le degré d'efficacité de ce dernier.

AVERTISSEMENTS

LA SOCIÉTÉ NORDICA S.P.A. DÉCLINE TOUTE RESPONSABILITÉ POUR LES DOMMAGES AUX CHOSSES ET/OU PERSONNES PROVOQUÉS PAR LA MISE EN PLACE DU SYSTÈME. EN OUTRE, ELLE N'EST PAS RESPONSABLE DU PRODUIT MODIFIÉ SANS SON AUTORISATION ET MÊME PAS DE L'UTILISATION DE PIÈCES DE RECHANGE NON ORIGINALES.

3.1 DISTANCE MINIMALE DE L'APPAREIL DES COMBUSTIBLES

Lors de l'installation du produit, il faut respecter les mesures de sécurité suivantes :

Pour assurer une isolation thermique suffisante, respecter la distance minimale de sécurité entre le poêle et les éléments de construction et objets inflammables et sensibles à la chaleur (meubles, revêtements en bois, tissus, etc.) (voir **Figure 1** - distances A1, A2 et A3). **Toutes les distances de sécurité minimales sont indiquées sur la plaque signalétique du produit et il ne faut pas aller au-dessous des valeurs indiquées** (voir DÉCLARATION DE PERFORMANCE).

Devant la porte du foyer, dans la zone de radiation de cette dernière, il ne doit y avoir aucun objet ou matériau de construction inflammable et sensible à la chaleur à moins de voir **la Figure 1 - A1** de distance.

Si le produit est installé sur un sol inflammable, une protection de sol doit être installée. **Les sols en matériaux inflammables**, tels que moquette, parquet, liège, etc., **doivent être recouverts** d'un protecteur de sol. CE PROTECTEUR DE SOL DOIT ÊTRE UN MATÉRIAU UL 1618 RÉPERTORIÉ.

Le protecteur de sol doit être placé sous l'appareil et il doit s'étendre au moins **16 po (419 mm)** au-delà de l'avant et au moins **8 po (203 mm)** au-delà de chaque côté de l'ouverture de chargement de combustible et d'élimination des cendres (voir **Figure 2** - distance **B**).

pouces (mm)	A1	A2	A3	A4	B1	B2	B3
ROSA REVERSE UL-C	1016 mm (40 po)	254 mm (10 po)	254 mm (10 po)	381 mm (15 po)	406 mm (16 po)	203 mm (8 po)	50,8 mm (2 po)
ROSA SINISTRA REVERS UL-C	1016 mm (40 po)	254 mm (10 po)	254 mm (10 po)	381 mm (15 po)	406 mm (16 po)	203 mm (8 po)	50,8 mm (2 po)
ROSA UL-C	1016 mm (40 po)	254 mm (10 po)	254 mm (10 po)	381 mm (15 po)	406 mm (16 po)	203 mm (8 po)	50,8 mm (2 po)

3.1.1 INSTALLATION EN LIGNE DROITE

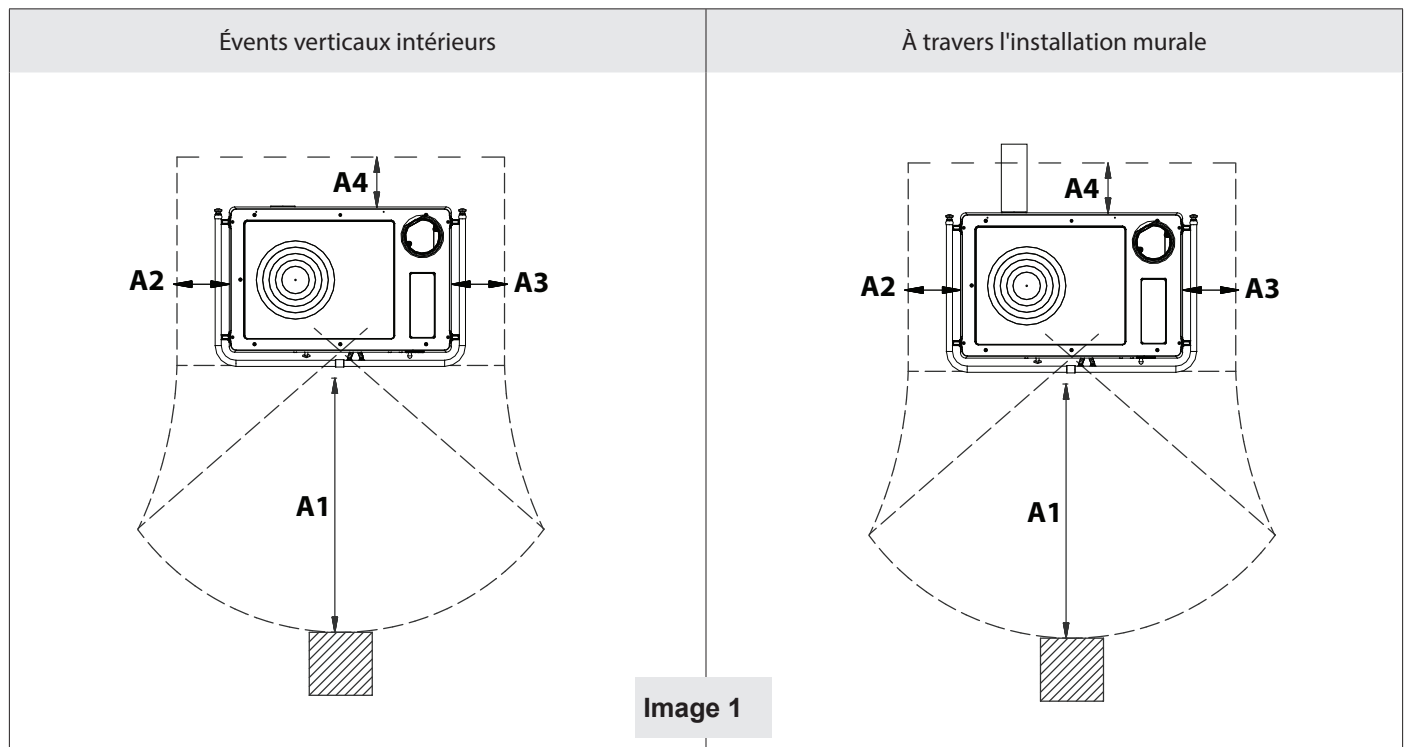


Image 1

3.1.2 CONDITIONS REQUISES D'INSTALLATION DE LA PROTECTION DES SOLS

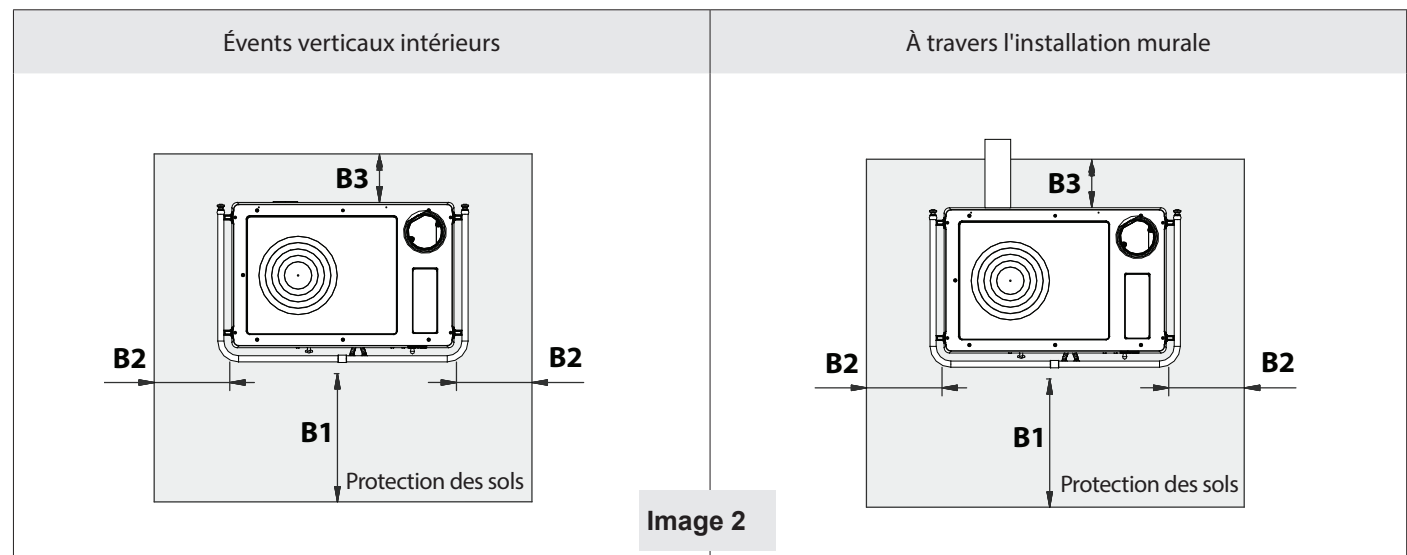


Image 2

3.2 LA CHEMINÉE

Conditions fondamentales pour un bon fonctionnement de l'appareil :

NE PAS CONNECTER CET APPAREIL À UN CONDUIT DE CHEMINÉE DESSERVANT UN AUTRE APPAREIL.

CET APPAREIL DOIT ÊTRE CONNECTÉ À (1) UNE CHEMINÉE DE TYPE HT (2100 °F) RÉPERTORIÉE PAR UL 103 OU ULC S629 OU (2) UNE CHEMINÉE DE MAÇONNERIE APPROUVÉE PAR CODE AVEC UN REVÊTEMENT DE CHEMINÉE.

LA TAILLE DE LA CHEMINÉE NE DOIT PAS ÊTRE INFÉRIEURE OU PLUS DE TROIS FOIS SUPÉRIEURE À LA SECTION TRANSVERSALE DU CONDUIT DE CHEMINÉE.



POUR UNE INSTALLATION CORRECTE, VEUILLEZ RESPECTER LES SECTIONS/LONGUEURS DE LA CHEMINÉE INDIQUÉES DANS LE TABLEAU DES DONNÉES TECHNIQUES. POUR DES INSTALLATIONS DE DIFFÉRENTES DIMENSIONS, LE CONDUIT DE FUMÉE DOIT ÊTRE DIMENSIONNÉ DE MANIÈRE APPROPRIÉE CONFORMÉMENT À LA CAN/ULC S629 M87 AU CANADA ET À UL 103 (TYPE HT 2100°F) AUX ÉTATS-UNIS.



AVERTISSEMENTS

LES CHEMINÉES UTILISÉES DOIVENT ÊTRE CONFORMES AVEC CAN/ULC S629 M87 AU CANADA ET À UL 103 (TYPE HT 2100°F) AUX ÉTATS-UNIS.

LA CHEMINÉE DOIT ÊTRE À UNE DISTANCE APPROPRIÉE DES MATÉRIAUX INFLAMMABLES OU COMBUSTIBLES EN UTILISANT UNE ISOLATION APPROPRIÉE OU UN ESPACE D'AIR.

IL EST INTERDIT DE CRÉER DES OUVERTURES MOBILES OU FIXES DIRECTEMENT SUR LA CHEMINÉE, POUR LE RACCORDEMENT D'AUTRES APPAREILS DIFFÉRENTS (VOIR CHAPITRE RELIANT UNE CHEMINÉE OU UN FOYER OUVERT À LA CHEMINÉE).

3.2.1 TUYAU DE CONNEXION AVEC LA CHEMINÉE

Le tuyau de connexion au conduit de la cheminée doit être aussi le plus court possible, tout droit horizontal ou qui monte très peu et étanche.

Le tuyau de connexion à la cheminée doit être réalisé en fixant les connexions avec un minimum de trois vis au produit et à chaque section adjacente.

Le branchement doit être réalisé avec des tuyaux stables et robustes, être conforme à toutes les normes et réglementations en vigueur et à celles prévues par la loi, et être hermétiquement fixé au conduit des fumées. **Taille du tube de connexion à utiliser : 24 ga noir ou acier bleui, 6 pouces de diamètre. La dépression à la cheminée (TIRAGE) doit être d'au moins** (voir chap. FICHE TECHNIQUE) Pascal. La mesure doit toujours être effectuée avec un appareil chaud (rendement calorifique nominale).



LORSQUE LA DÉPRESSION DÉPASSE 15 PA (= 1,5 MM DE COLONNE D'EAU), IL EST NÉCESSAIRE DE LA RÉDUIRE EN INSTALLANT UN RÉGULATEUR DE TIRAGE SUR LE TUYAU D'ÉCHAPPEMENT OU DANS LA CHEMINÉE, SELON LA RÉGLEMENTATION EN VIGUEUR.



AVERTISSEMENTS

LES CHEMINÉES UTILISÉES DOIVENT ÊTRE TESTÉES SELON CAN/ULC S629 M87 AU CANADA ET À UL 103 (TYPE HT 2100°F) AUX ÉTATS-UNIS.

LE CONDUIT DE FUMÉE DOIT ÊTRE CORRECTEMENT ESPACÉ DE TOUT MATÉRIAU INFLAMMABLE OU DES CARBURANTS PAR UNE ISOLATION APPROPRIÉE OU UNE CAVITÉ D'AIR. DISTANCE MINIMALE DE SÉCURITÉ 25 CM.

LE TROU D'ÉCHAPPEMENT DES GAZ DE COMBUSTION INUTILISÉS DOIT ÊTRE RECOUVERT DE SON BOUCHON RESPECTIF (voir chapitre : Dimensions).

POUR UN FONCTIONNEMENT CORRECT DE L'APPAREIL, IL EST ESSENTIEL QU'UNE QUANTITÉ SUFFISANTE D'AIR POUR LA COMBUSTION SOIT INTRODUITE DANS LE LIEU D'INSTALLATION (voir paragraphe VENTILATION ET AÉRATION DES LOCAUX D'INSTALLATION).

POUR LE CANADA : UNE CONNEXION DE CHEMINÉE NE DOIT PAS TRAVERSER UN GRENIER, UN ESPACE SUR LE TOIT, UN PLACARD, UN PLANCHER, UN PLAFOND OU UN ESPACE CACHÉ SIMILAIRE. LORSQUE LE PASSAGE À TRAVERS UNE PAROI OU UNE CLOISON DE CONSTRUCTION COMBUSTIBLE EST SOUHAITÉ, L'INSTALLATION DOIT ÊTRE CONFORME À LA NORME CAN/CSA-B365.

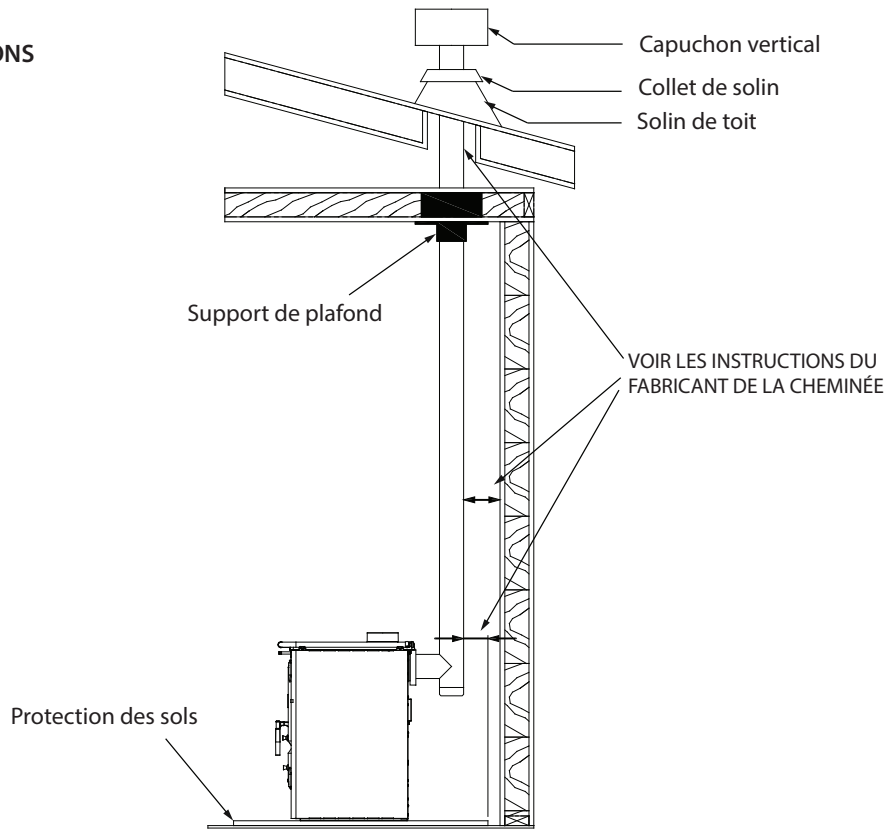
3.2.2 ENTRETIEN DE LA CHEMINÉE ET DE LA CONNEXION AU CONDUIT DE FUMÉE DE LA CHEMINÉE

L'inspection, l'entretien et le nettoyage de la cheminée et de la connexion au conduit de fumée de la cheminée doivent être garantis pour gérer la formation potentielle de crésote. Lorsque le bois est brûlé lentement, il produit du goudron et d'autres vapeurs organiques, qui se combinent avec l'humidité expulsée pour former de la crésote. Les vapeurs de crésote se condensent dans le conduit de cheminée relativement froid d'un feu à combustion lente. Par conséquent, les résidus de crésote s'accumulent sur le revêtement de la cheminée. Lorsqu'elle est enflammée, cette crésote fait un feu extrêmement chaud. Lors de la combustion du bois, la connexion au conduit de fumée et la cheminée doivent être inspectés au moins une fois tous les deux mois pendant la saison de chauffage pour déterminer si une accumulation de crésote s'est produite.

3.2.3 ESPACES VERTICAUX INTÉRIEURS MINIMAUX

REMARQUE :
SUIVRE LES SPÉCIFICATIONS
DES FABRICANTS DE
CHEMINÉES

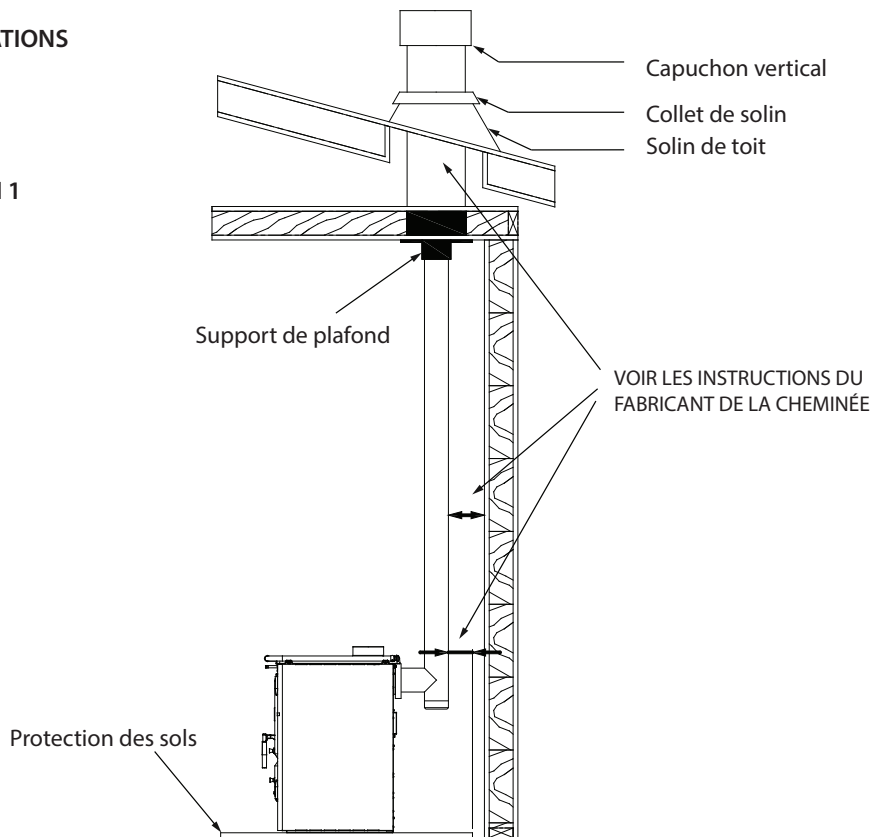
TYPE D'INSTALLATION 1



3.2.4 RÉTROFIT CHEMINÉE CLASSE A

REMARQUE :
SUIVRE LES SPÉCIFICATIONS
DES FABRICANTS DE
CHEMINÉES

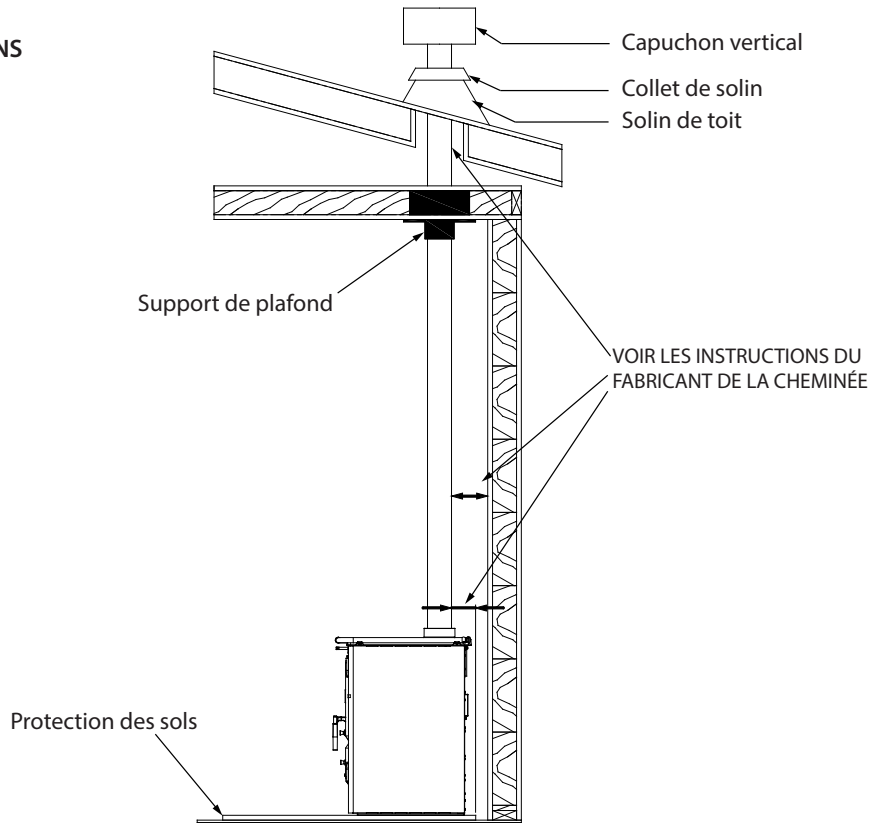
TYPE D'INSTALLATION 1



3.2.5 ESPACES VERTICAUX INTÉRIEURS MINIMAUX

REMARQUE :
SUIVRE LES SPÉCIFICATIONS
DES FABRICANTS DE
CHEMINÉES

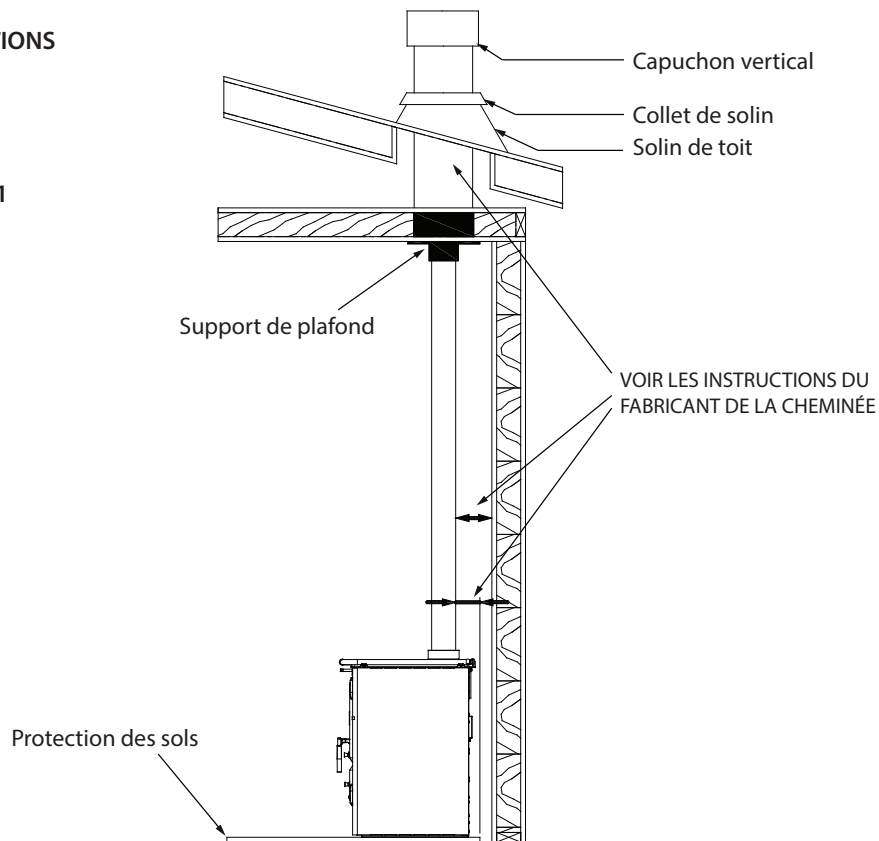
TYPE D'INSTALLATION 1



3.2.6 CLASS A CHIMNEY RETROFIT

REMARQUE :
SUIVRE LES SPÉCIFICATIONS
DES FABRICANTS DE
CHEMINÉES

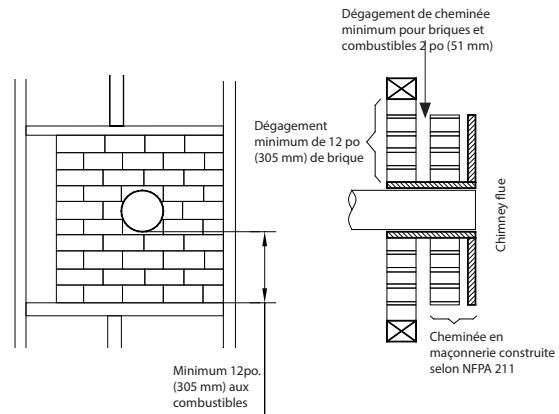
TYPE D'INSTALLATION 1



3.2.7 SYSTÈME DE CONNEXION AU CONDUIT DE FUMÉE D'UNE CHEMINÉE ET DÉGAGEMENT DES APPAREILS À FOYER RÉSIDENTIEL À TRAVERS UN MUR COMBUSTIBLE

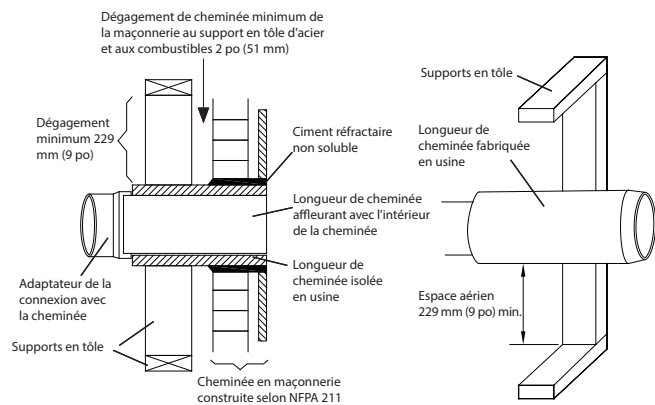
A

Maçonnerie de brique épaisse d'au moins 3,5 pouces encadrée dans un mur combustible avec une séparation de brique d'au moins 12 pouces du revêtement d'argile aux combustibles. le revêtement d'argile réfractaire doit s'étendre de la surface extérieure du mur de brique à la surface intérieure du revêtement de cheminée, mais pas au-delà, et doit être solidement raccordé en place.



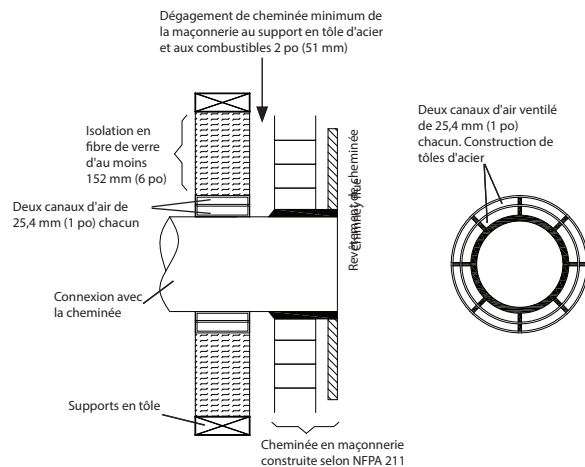
B

Longueur de cheminée à isolation solide, répertoriée, construite en usine, du même diamètre intérieur que la connexion à la cheminée et ayant une isolation de 1 po ou plus avec un espace d'air d'au moins 9 po entre la paroi extérieure de la longueur de cheminée et les combustibles.



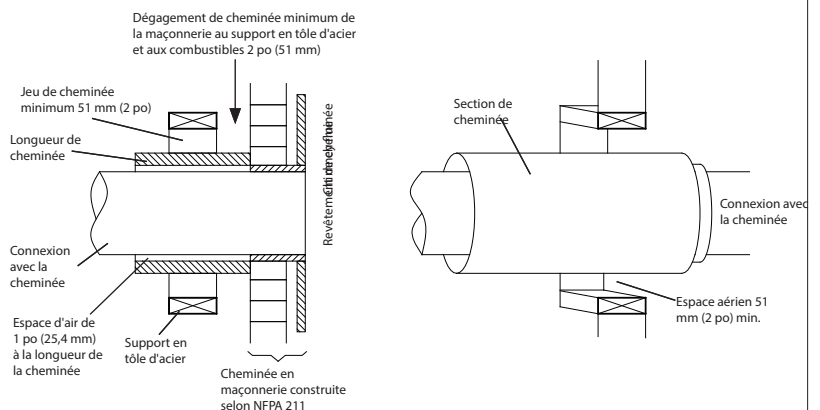
C

Connexion à la cheminée en tôle d'acier, épaisseur minimale de 24 po, avec une douille ventilée, épaisseur minimale de 24 po, ayant deux canaux d'air de 1 po, séparés des combustibles par un minimum de 6 po d'isolation en fibre de verre. L'ouverture doit être recouverte et la douille soutenue par un support en tôle d'acier, d'une épaisseur minimale de 24 gauges.



D

Longueur de cheminée isolée solide, répertoriée, construite en usine avec un diamètre intérieur de 2 pouces plus grand que la connexion avec la cheminée et ayant 1 pouce ou plus d'isolation, servant de passage pour un connecteur de cheminée en tôle d'acier à paroi unique d'une épaisseur minimale de 24 jauges, avec un espace d'air minimum de 2 pouces entre la paroi extérieure de la section de cheminée et les combustibles. La longueur minimale de la section de cheminée doit être de 12 pouces, espacée de 1 pouce du connecteur à l'aide de plaques de support en tôle d'acier aux deux extrémités de la section de cheminée supportées des deux côtés avec des supports en tôle d'acier solidement fixés aux surfaces murales d'une épaisseur minimale de 24 jauges. Les fixations utilisées pour fixer la section de cheminée ne doivent pas pénétrer dans le revêtement de cheminée.



3.3 VENTILATION ET AÉRATION DES PIÈCES POUR L'INSTALLATION

VU QUE LES APPAREILS PRENNENT LEUR AIR DE COMBUSTION DE LA PIÈCE D'INSTALLATION, IL EST **OBLIGATOIRE** QU'IL EXISTE UNE QUANTITÉ D'AIR SUFFISANTE. EN CAS DE FENÊTRE ET PORTES ÉTANCHES (par ex. MAISONS CONSTRUITES AVEC LE CRITÈRE DE L'ÉPARGNE ÉNERGÉTIQUE) IL EST POSSIBLE QUE L'ENTRÉE D'AIR FRAIS NE SOIT PLUS GARANTIE ET CECI COMPROMET LE TIRAGE DE L'APPAREIL, VOTRE BIEN-ÊTRE ET VOTRE SÉCURITÉ.

Il peut être nécessaire de prévoir de l'air de combustion extérieur pour s'assurer que le produit ne rejette pas les produits de combustion dans la maison. Les lignes directrices visant à déterminer le besoin d'air de combustion supplémentaire peuvent ne pas convenir à toutes les situations. En cas de doute, il est conseillé de fournir de l'air supplémentaire.

L'air de combustion extérieur peut être nécessaire si :

1. L'appareil alimenté au combustible solide ne tire pas régulièrement, il se produit un déploiement de fumée, le combustible brûle mal ou des rétrotirages se produisent, qu'il y ait ou non combustion.
2. Les appareils à combustible existants dans la maison, tels que les foyers ou autres appareils de chauffage, sentent mauvais, ne fonctionnent pas correctement, sont exposés à la fumée lorsqu'ils sont ouverts ou sont dessinés à contre-courant, qu'il y ait ou non combustion.
3. Ouvrir légèrement une fenêtre par une journée calme (sans vent) atténue l'un des symptômes ci-dessus.
4. La maison est équipée d'un pare-vapeur bien scellé et de fenêtres étanches et/ou dispose de tout dispositif alimenté qui évacue l'air de la maison.
5. Il y a une condensation excessive sur les fenêtres en hiver.
6. Un système de ventilation est installé dans la maison.

Si ces indications ou d'autres suggèrent que l'air d'infiltration est inadéquat, de l'air de combustion supplémentaire devrait être fourni depuis l'extérieur. L'air de combustion extérieur peut être fourni à l'appareil par les moyens suivants :

1. Méthode indirecte : l'air extérieur est conduit à un point situé à 12-in (300 mm) s au maximum de l'appareil, afin d'éviter d'affecter les performances de l'appareil.
2. Un système de ventilation mécanique : si la maison dispose d'un système de ventilation (changement d'air ou récupération de chaleur) :

- Le système de ventilation peut être capable de fournir suffisamment d'air d'appoint de combustion pour l'appareil alimenté au combustible solide.- Le ménagère doit être informé que le système de ventilation pourrait avoir besoin d'être rééquilibré par un technicien de ventilation après l'installation de l'appareil.

IMPORTANT : Pour un meilleur confort et une oxygénation correspondante du lieu d'installation, l'air de combustion peut être soutiré de l'extérieur du bâtiment par un tuyau (non fourni) qui doit avoir un minimum selon le raccord d'air ANNULAIRE OPTIONNEL décrit dans LES ACCESSOIRES du chapitre. Ce tuyau doit avoir une longueur maximale de 118-in (3 m) et pas plus de 3 coudes.

Les entrées d'air doivent répondre aux exigences suivantes :

- elles doivent être protégées par des grilles, des treillis métalliques, etc., mais sans réduire la section utile du filet ;
- l'entretien de l'entrée doit être facile et réalisable ;
- positionnés de manière à ne pas pouvoir être obstrués ;

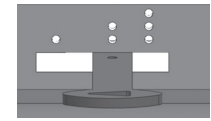


AVERTISSEMENTS

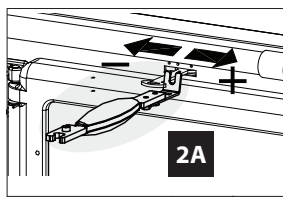
L'INSTALLATION DANS DES LOCAUX PRÉSENTANT DES RISQUES D'INCENDIE EST INTERDITE.

TOUTES LES NORMES NATIONALES ET LOCALES EN VIGUEUR DANS LE PAYS OÙ L'APPAREIL EST INSTALLÉ DOIVENT ÊTRE RESPECTÉES.

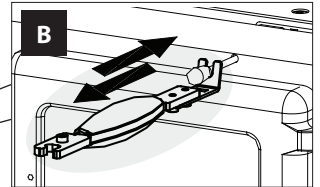
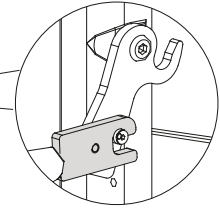
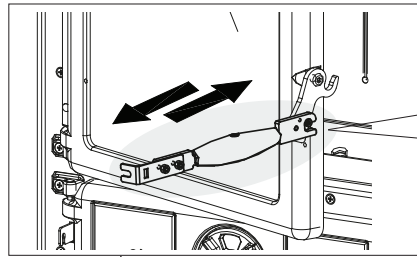
4.0 - ROSA REVERSE UL-C



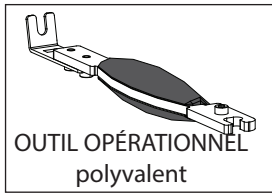
POSITION POUR
OBTENIR LA PUISSANCE
CALORIFIQUE
NOMINALE



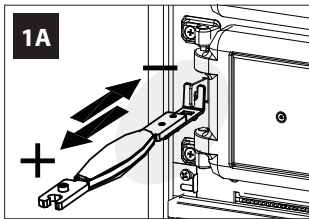
2A



B

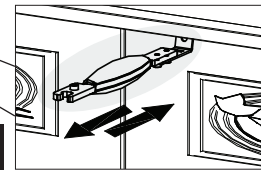


OUTIL OPÉRATIONNEL
polyvalent



1A

TIROIR À
CENDRES



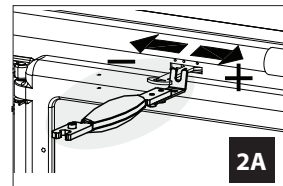
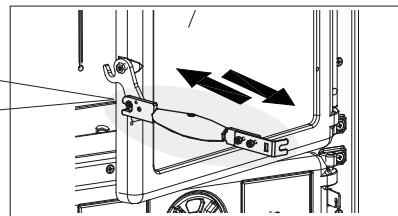
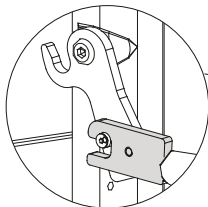
D

Ø 100 mm
Raccord d'air
ANNULAIRE
INCLUS

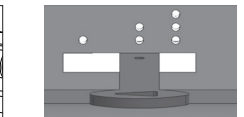
C RÉCHAUFFEUR
D'ALIMENTS

TIROIR
EXTRACTIBLE

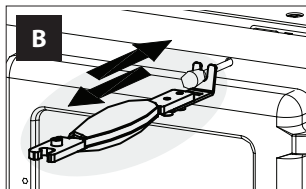
5.0 - ROSA SINISTRA REVERSE UL-C



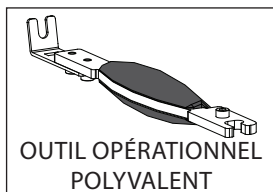
2A



POSITION POUR
OBTENIR LA PUISSANCE
CALORIFIQUE
NOMINALE



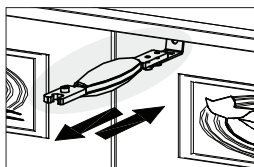
B



OUTIL OPÉRATIONNEL
POLYVALENT

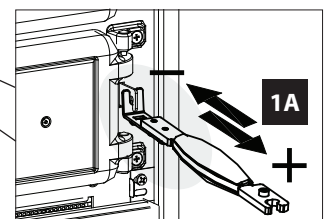
C RÉCHAUFFEUR
D'ALIMENTS

TIROIR
EXTRACTIBLE



D

TIROIR À
CENDRES



1A

Ø 100 mm
Raccord d'air
ANNULAIRE
INCLUS

6.0 DESCRIPTION TECHNIQUE

Les cuisinières à bois de La NORDICA permettent de cuisiner sur la plaque et de chauffer des espaces de logement durant certaines périodes ou de compléter un chauffage centralisé insuffisant. Elles conviennent parfaitement aux appartements de vacances ou de week-end ou bien comme chauffage d'appoint pendant toute l'année.

COMME COMBUSTIBLE, ELLES UTILISENT DES BÛCHES DE BOIS. **L'APPAREIL FONCTIONNE COMME UN APPAREIL À FONCTIONNEMENT INTERMITTENT.**

La cuisinière est faite de tôles d'acier galvanisées et émaillées et de fonte émaillée (portes, face avant, plaque).

Le foyer est entièrement gainé de tôles de fonte simples et il est doté d'un air tertiaire pré-réglé pour une meilleure combustion.

À l'intérieur, il y a une grille plate.

LE FOYER est ÉQUIPÉ D'une PORTE PANORAMIQUE AVEC UNE VITRE EN CÉRAMIQUE (résistant jusqu'à 1292°F (700 °C). Cela permet une vue agréable des flammes du feu. De plus, on évite ainsi le dégagement d'étincelles et de fumée.

En tant qu'**ACCESSOIRE**, une GRILLE CHROMÉE est également disponible pour le four et un POKER qui sont déjà INCLUS.

Sous la porte du four il y a un support de réchauffeur de nourriture, avec la porte de fermeture associée (**Image - C**).

Sous le support du réchauffeur de nourriture se trouve un tiroir en bois extractible, avec la porte de fermeture associée (**D**).

LE CHAUFFAGE DE L'ENVIRONNEMENT EST EFFECTUÉ PAR RAYONNEMENT : LA CHALEUR EST RAYONNÉE DANS LE MILIEU AMBIANT A TRAVERS LES SUPERFICIES EXTERNES CHAUDES DU POÊLE.



AVERTISSEMENTS

NE JAMAIS INTRODUIRE D'OBJETS OU DE MATÉRIAUX INFLAMMABLES DANS LE PORTE-RÉCHAUFFEUR ALIMENTAIRE

6.1 ACCESSOIRES

ACCESSOIRES	OUTIL OPÉRATIONNEL polyvalent	GRILLE DE FOUR CHROMÉE	POKER	Raccord d'air ANNULAIRE
	SÉRIES	FACULTATIF	SÉRIES	SÉRIES

6.2 COMMANDES DE LA CUISINIÈRE

LA CUISINIÈRE EST ÉQUIPÉE DE COMMANDES D'AIR PRIMAIRE ET SECONDAIRE PAR LESQUELLES IL EST RÉGLÉ L'AIR DE COMBUSTION.

1A – COMMANDE DE L'AIR PRIMAIRE

Avec le registre inférieur, le passage de l'air primaire dans la partie inférieure de la cuisinière est régulé à travers le tiroir à cendres et le gril en direction du combustible. L'air primaire est nécessaire au processus de combustion. Le tiroir à cendres doit être vidé régulièrement, de sorte que les cendres ne puissent pas bloquer l'entrée d'air primaire pour la combustion. L'air primaire maintient également la flamme en vie.

LE REGISTRE D'AIR PRIMAIRE DOIT ÊTRE PRESQUE COMPLÈTEMENT FERMÉ PENDANT LA COMBUSTION DU BOIS, SINON LE BOIS BRÛLE TROP RAPIDEMENT ET LA CUISINIÈRE PEUT SURCHAUFFER.

2A – COMMANDE AIR SECONDAIRE

Au-dessus de la porte du foyer, il y a la commande d'air secondaire. Ce régulateur doit être ouvert (le levier doit être déplacé vers la droite - voir tableau), en particulier pour la combustion du bois, afin que le carbone non brûlé ne subisse pas de post-combustion (voir chapitre FONCTIONNEMENT NORMAL). Grâce à ce registre, il est possible de régler la puissance du poêle. En la laissant légèrement ouverte, selon le conduit de cheminée, il est possible de garder le verre propre. **Il est possible de faire passer l'air SECONDAIRE directement de l'extérieur** par un tube flexible (voir chapitre VENTILATION ET AÉRATION des LOCAUX D'INSTALLATION).

LE RÉGLEMENT DE CONTRÔLE NÉCESSAIRE POUR OBTENIR LA PUISSANCE **CALORIFIQUE NOMINALE** EST LE SUIVANT :

	1A - Air PRIMAIRE	2A - Air SECONDAIRE	Air tertiaire
(voir Chap. SPÉCIFICATIONS DE CHAUFFAGE)	FERMÉ	POS 2	PRÉ-RÉGLÉ

B - commande des FUMÉES

(Conversion de la fonction de cuisson PLAQUE D'UTILISATION en cuisson avec utilisation FOUR).

La commande de fumée, à la manière d'un levier poussoir chromé, se trouve sur le dessus de la face avant de la cuisinière, entre la barre de protection et la porte du four. Cette commande est dotée de deux réglages :

- UTILISATION DE LA PLAQUE CHAUFFANTE : lorsque la barre est poussée à l'arrière de la cuisinière, les gaz de combustion s'écoulent sur le dessus du four et directement dans le conduit de fumée et jusqu'à la cheminée.
- CUISSON FOUR : lorsque la barre de commande est tirée, les gaz de combustion circulent autour du four, le chauffant.

6.2.1 POUR ALLUMER LE FEU

POUR ALLUMER LE FEU, suivre les instructions ci-dessous (voir Chap. ALLUMAGE) :

Amener la commande des gaz de combustion sur la PLAQUE D'UTILISATION de la fonction de cuisson (toute vanne papillon placée sur le tuyau d'échappement des gaz de combustion doit également être ouverte).

Ouvrir le registre air primaire et secondaire.

Après avoir allumé le feu avec de petits morceaux de bois et attendu qu'il soit bien allumé.

Mettre la commande des gaz de combustion en position FOUR.

FERMER toute vanne papillon placée sur le tuyau d'échappement des gaz de combustion doit également être ouvert.

LE RÉGLAGE DE LA COMMANDE **PENDANT LA PHASE D'ALLUMAGE** EST LE SUIVANT :

	1A - Air PRIMAIRE	2A - Air SECONDAIRE	B - commande des FUMÉES
PHASE D'ALLUMAGE	OUVERT	OUVERT	UTILISATION DE LA PLAQUE CHAUFFANTE

6.2.2 ROSA REVERSE UL-C - COMMENT RÉGLER L'APPAREIL POUR FAIRE BOUILLIR L'EAU

Conserver le registre des gaz de combustion sur la fonction de cuisson – position D'UTILISATION DE LA PLAQUE CHAUFFANTE.

Air primaire À MOITIÉ ouvert.

Air secondaire complètement OUVERT.

Charger le bois comme décrit dans le manuel (charge horaire = consommation horaire).

6.2.3 ROSA REVERSE UL-C - COMMENT RÉGLER L'APPAREIL POUR CUIRE DES BISCUITS

Air primaire FERMÉ

Air secondaire complètement OUVERT - Image 7.

Apporter le registre des gaz de combustion à la fonction de cuisson – position D'UTILISATION DE LA PLAQUE CHAUFFANTE. Cela maintient la température du four stable autour de 446°F (230 °C).

Charger le bois comme décrit dans le manuel (consommation horaire).

Attendre que 446°F (230 °C) soient atteints.

Placer le plateau de biscuits en position basse pendant 25-30 minutes (cuisson lente) ou en position moyenne pendant 15-20 minutes (cuisson rapide).

Tourner le plat à four à mi-cuisson si nécessaire.

6.2.4 ROSA SINISTRA REVERSE UL-C - COMMENT RÉGLER L'APPAREIL POUR FAIRE BOUILLIR L'EAU

Conserver le registre des gaz de combustion sur la fonction de cuisson – UTILISATION DU FOUR.

Air primaire FERMÉ

Air secondaire POS. 2 **Image 8.**

Charger le bois comme décrit dans le manuel (consommation horaire).

6.2.5 ROSA SINISTRA REVERSE UL-C - COMMENT RÉGLER L'APPAREIL POUR CUIRE DES BISCUITS

Registre d'air primaire FERMÉ

Registre d'air secondaire POS.2 **Image 8.**

Amener le registre des gaz de combustion en position de cuisson – Position UTILISATION DU FOUR. Cela maintient la température du four stable autour de 446°F (230 °C).

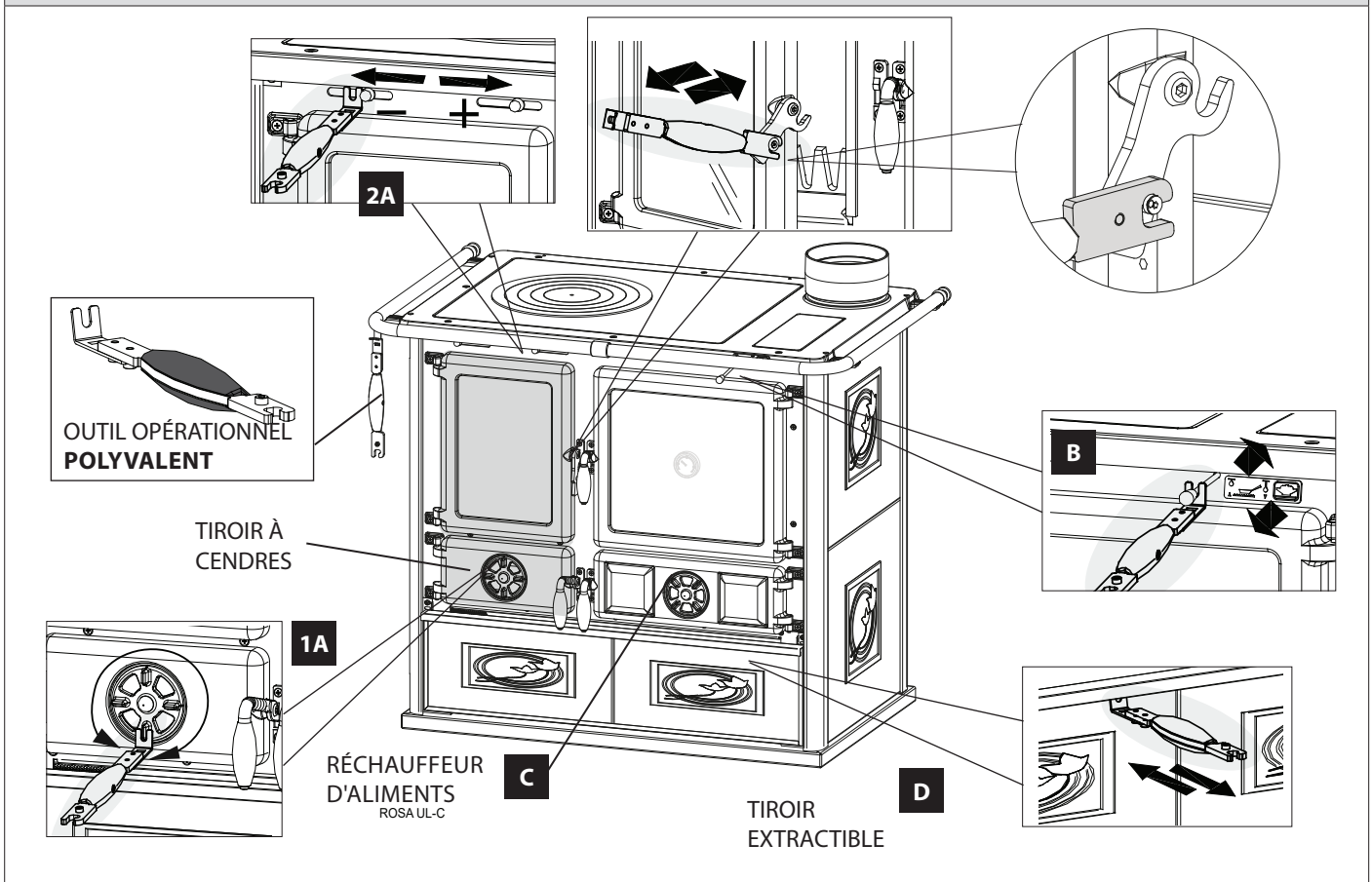
Charger le bois comme décrit dans le manuel (consommation horaire).

Attendre que 446°F (230 °C) soient atteints.

Placer le plateau de biscuits en position basse pendant 25-30 minutes (cuisson lente) ou en position moyenne pendant 15-20 minutes (cuisson rapide).

Tourner le plateau à mi-cuisson, si nécessaire.

7.0 - ROSA UL-C



7.1 DESCRIPTION TECHNIQUE

Les cuisinières à bois de La Nordica permettent de cuisiner sur la plaque et de chauffer des espaces de logement durant certaines périodes ou de compléter un chauffage centralisé insuffisant. Elles conviennent parfaitement aux appartements de vacances ou de week-end ou bien comme chauffage d'appoint pendant toute l'année. **COMME COMBUSTIBLE, DES BÛCHES DE BOIS SONT UTILISÉES. L'APPAREIL FONCTIONNE COMME UN APPAREIL À FONCTIONNEMENT INTERMITTENT.**

La cuisinière est faite de tôles d'acier galvanisées et émaillées et de fonte émaillée (portes, face avant, plaque).

Le foyer est entièrement gainé de tôles de fonte simples et il est doté d'un air tertiaire pré-réglé pour une meilleure combustion. À l'intérieur, il y a une grille plate. LA CUISINIÈRE PEUT ÊTRE ÉQUIPÉE D'UNE GRILLE RÉGLABLE EN HAUTEUR EN OPTION. LA POSITION SUPÉRIEURE OPTIMISE LA FONCTION DE LA PLAQUE, LA POSITION INFÉRIEURE L'UTILISATION DU FOUR.

LE FOYER EST ÉQUIPÉ D'UNE PORTE PANORAMIQUE AVEC UN VERRE EN CÉRAMIQUE (résistant jusqu'à 1292°F - 700 °C). Cela permet une vue agréable des flammes du feu. De plus, on évite ainsi le dégagement d'étincelles et de fumée..

En tant qu'**ACCESSOIRE**, une GRILLE CHROMÉE est également disponible pour le four et un POKER qui sont déjà INCLUS.

Sous la porte du four il y a un support de réchauffeur de nourriture, avec la porte de fermeture associée (**Image - C**).

Sous le support du réchauffeur de nourriture se trouve un tiroir en bois extractible, avec la porte de fermeture associée (**D**).

LE CHAUFFAGE DE L'ENVIRONNEMENT EST EFFECTUÉ PAR RAYONNEMENT : LA CHALEUR EST RAYONNÉE DANS LE MILIEU AMBIANT A TRAVERS LES SUPERFICIES EXTERNES CHAUDES DU POÊLE.



AVERTISSEMENTS

NE JAMAIS INTRODUIRE D'OBJETS OU DE MATÉRIAUX INFLAMMABLES DANS LE PORTE-RÉCHAUFFEUR ALIMENTAIRE

7.2 ACCESSOIRES

ACCESSOIRES	OUTIL OPÉRATIONNEL polyvalent	GRILLE DE FOUR CHROMÉE	POKER	Raccord d'air ANNULAIRE	Grille en fonte réglable en hauteur
	SÉRIES	FACULTATIF	SÉRIES	FACULTATIF	FACULTATIF

7.3 COMMANDES DE LA CUISINIÈRE

LA CUISINIÈRE EST ÉQUIPÉE DE COMMANDES D'AIR PRIMAIRE ET SECONDAIRE PAR LESQUELLES IL EST RÉGLÉ L'AIR DE COMBUSTION.

1A – COMMANDE DE L'AIR PRIMAIRE

Avec la commande d'air inférieure, il est réglé le passage de l'air primaire dans la partie basse de la cuisinière, à travers le tiroir de cendres et la grille dans la direction du combustible. L'air primaire est nécessaire au processus de combustion. Le tiroir à cendres doit être régulièrement vidé, afin que les cendres n'obstruent pas l'entrée d'air primaire pour la combustion. Grâce à l'air primaire, le feu est également maintenu en vie.

LE RÉGISTRE D'AIR PRIMAIRE DOIT ÊTRE PRESQUE COMPLÈTEMENT FERMÉ PENDANT LA COMBUSTION DU BOIS, SINON LE BOIS BRÛLE TROP RAPIDEMENT ET LE PRODUIT THERMIQUE PEUT SURCHAUFFER (voir chapitre FONCTIONNEMENT NORMAL).

2A – COMMANDE D'AIR SECONDAIRE

Ce registre doit être ouvert (c'est-à-dire complètement tourné vers la droite), en particulier pour la combustion du bois, afin que le carbone imbrûlé ne subisse pas de post-combustion (voir chapitre FONCTIONNEMENT NORMAL).

Grâce à ce registre, il est possible de régler la puissance du chauffage. En la laissant légèrement ouverte, selon le conduit de cheminée, il est possible de garder le verre propre.

LE RÉGLEMENT DE CONTRÔLE NÉCESSAIRE POUR OBTENIR LA PUISSANCE **CALORIFIQUE NOMINALE** EST LE SUIVANT :

	1A - Air PRIMAIRE	2A - Air SECONDAIRE	Air tertiaire
(voir Chap.SPÉCIFICATIONS DE CHAUFFAGE)	OUVERT	OUVERT	PRÉ-RÉGLÉ

B - commande des FUMÉES

(Conversion de la fonction de cuisson PLAQUE D'UTILISATION en cuisson avec utilisation FOUR).

La commande de fumée, à la manière d'un levier poussoir chromé, se trouve sur le dessus de l'angle droit de la cuisinière, entre la barre de protection et la porte du four. Cette commande est dotée de deux réglages :

- UTILISATION DE LA PLAQUE CHAUFFANTE : lorsque la barre est poussée vers l'arrière de la cuisinière, les gaz de combustion circulent autour du four et directement dans le conduit de fumée et jusqu'à la cheminée.
- CUISSON FOUR : lorsque la barre de commande est tirée, les gaz de combustion circulent autour du four, le chauffant.

7.3.1 POUR ALLUMER LE FEU

POUR ALLUMER LE FEU, suivre les instructions ci-dessous (voir Chap. ALLUMAGE) :

Apporter le contrôle des gaz de combustion à la fonction cuisinière - UTILISATION DE LA PLAQUE CHAUFFANTE (toute vanne papillon placée sur le tuyau d'échappement des gaz de combustion doit également être ouverte).

Ouvrir le registre air primaire et secondaire.

Après avoir allumé le feu avec de petits morceaux de bois et attendu qu'il soit bien allumé.

Mettre la commande des gaz de combustion en position FOUR.

Fermer toute vanne papillon placée sur le tuyau d'échappement des gaz de combustion doit également être ouvert.

LE RÉGLAGE DE LA COMMANDE **PENDANT LA PHASE D'ALLUMAGE** EST LE SUIVANT :

	1A - Air PRIMAIRE	2A - Air SECONDAIRE	B - commande des FUMÉES
PHASE D'ALLUMAGE	OUVERT	OUVERT	UTILISATION DE LA PLAQUE CHAUFFANTE

7.3.2 COMMENT RÉGLER LA MACHINE POUR FAIRE BOUILLIR L'EAU

Conserver le registre des gaz de combustion sur la fonction de cuisson – UTILISATION DE LA PLAQUE CHAUFFANTE.

Air primaire À MOITIÉ OUVERT.

Air secondaire complètement OUVERT.

Charger le bois comme décrit dans le manuel (charge horaire = consommation horaire).

7.3.3 COMMENT RÉGLER LA MACHINE POUR CUIRE DES BISCUITS

Conserver le registre des gaz de combustion sur la fonction de cuisson – UTILISATION DE LA PLAQUE CHAUFFANTE.

Air primaire À MOITIÉ OUVERT.

Air secondaire complètement OUVERT.

Allumer la cuisinière avec une charge modérée de bois jusqu'à ce que le thermomètre du four indique 302 °F (150 °C).

Attendre que 374 -392 °F (190-200 °C) soit atteint sans chargement supplémentaire de bois.

Charger une seule pièce de bois de 1,1-1,32 lb (500 - 600 g) une à la fois et attendez qu'elle brûle complètement avant d'en ajouter une autre.

Cela maintient la température du four stable autour de 374 -392 °F (190-200 °C).

position basse pendant 25-30 minutes (cuisson lente) ou en position moyenne pendant 15-20 minutes (cuisson rapide).

Tourner le plat à four à mi-cuisson si nécessaire.

8.0 ALLUMAGE

8.1 PREMIER ALLUMAGE



AVERTISSEMENTS

APRÈS LE PREMIER ALLUMAGE, VOUS POUVEZ SENTIR DE MAUVAISES ODEURS (DUES AU SÉCHAGE DE LA COLLE UTILISÉE DANS LES GARNITURES OU DE LA PEINTURE) QUI DISPARAISSENT APRÈS UNE BRÈVE UTILISATION DE L'APPAREIL.
IL FAUT EN TOUT ÉTAT DE CAUSE ASSURER UNE BONNE VENTILATION DE L'ENVIRONNEMENT.

LORS DU PREMIER ALLUMAGE, NOUS SUGGÉRONS DE CHARGER UNE QUANTITÉ RÉDUITE DE COMBUSTIBLE ET D'AUGMENTER LÉGÈREMENT LE POUVOIR CALORIFIQUE DE L'ÉQUIPEMENT.

NE JAMAIS UTILISER D'ESSENCE, DE COMBUSTIBLE POUR LANTERNE DE TYPE ESSENCE, DE KÉROSÈNE, DE LIQUIDE POUR BRIQUET, DE CHARBON DE BOIS, OU LIQUIDES SIMILAIRES POUR DÉMARRER OU « RAFRAÎCHIR » UN INCENDIE DANS CE RÉCHAUFFEUR.

GARDER TOUS CES LIQUIDES BIEN LOIN DU POÊLE PENDANT QU'IL EST EN SERVICE.
NE JAMAIS ALLUMER L'APPAREIL LORSQU'IL Y A DES GAZ COMBUSTIBLES DANS LA PIÈCE.

Pour effectuer un premier éclairage correct des produits traités avec des peintures à haute température, il est nécessaire de connaître les informations suivantes :

- ♦ LES MATÉRIAUX DE CONSTRUCTION DES PRODUITS CONCERNÉS NE SONT PAS HOMOGENES, EN FAIT IL Y A SIMULTANÉMENT DES PIÈCES EN FONTE, ACIER, MATÉRIAUX RÉFRACTAIRES ET FAÏENCE ;
- ♦ LA TEMPÉRATURE À LAQUELLE LE CORPS DU PRODUIT EST SOUMIS N'EST PAS HOMOGENE : D'UNE ZONE À L'AUTRE, DES TEMPÉRATURES VARIABLES COMPRISES ENTRE 300°C ET 500°C SONT DÉTECTÉES ;
- ♦ PENDANT SA DURÉE DE VIE, LE PRODUIT EST SOUMIS À DES CYCLES D'ÉCLAIRAGE ET D'EXTINCTION ALTERNÉS LE MÊME JOUR, AINSI QU'À DES CYCLES D'UTILISATION INTENSE OU D'ARRÊT ABSOLU LORSQUE LA SAISON CHANGE ;
- ♦ LE NOUVEL APPAREIL, AVANT D'ÊTRE CONSIDÉRÉ COMME ASSAISONNÉ, DOIT ÊTRE SOUMIS À DE NOMBREUX CYCLES DE DÉMARRAGE POUR PERMETTRE À TOUS LES MATÉRIAUX ET PEINTURES DE COMPLÉTER LES DIFFÉRENTES CONTRAINTES ÉLASTIQUES ;
- ♦ EN DÉTAIL, ON PEUT TOUT D'ABORD CONSTATER L'ÉMISSION D'ODEURS TYPIQUES DES MÉTAUX SOUMIS À DE FORTES CONTRAINTES THERMIQUES, AINSI QUE DES PEINTURES HUMIDES.

PAR CONSÉQUENT, IL EST EXTRÊMEMENT PERTINENT DE PRENDRE CES MESURES FACILES PENDANT L'ALLUMAGE :

1. S'ASSURER QU'UN CHANGEMENT D'AIR IMPORTANT EST ASSURÉ DANS LA PIÈCE OÙ L'APPAREIL EST INSTALLÉ.
2. PENDANT LES PREMIERS DÉMARRAGES, NE PAS CHARGER EXCESSIVEMENT LA CHAMBRE DE COMBUSTION (ENVIRON LA MOITIÉ DE LA QUANTITÉ INDIQUÉE DANS LE MANUEL D'INSTRUCTIONS) ET MAINTENIR LE PRODUIT ALLUMÉ EN CONTINU PENDANT AU MOINS 6-10 HEURES AVEC LES REGISTRES MOINS OUVERTS QUE LA VALEUR INDIQUÉE DANS LE MANUEL D'INSTRUCTIONS.
3. RÉPÉTER CETTE OPÉRATION AU MOINS 4-5 OU PLUSIEURS FOIS, SELON VOS POSSIBILITÉS.
4. ENSUITE, CHARGER DE PLUS EN PLUS DE COMBUSTIBLE (EN SUIVANT EN TOUT CAS LES DISPOSITIONS CONTENUES DANS LE LIVRET D'INSTALLATION CONCERNANT LA CHARGE MAXIMALE) ET, SI POSSIBLE, GARDER LES PÉRIODES D'ALLUMAGE LONGUES EN ÉVITANT, AU MOINS DANS CETTE PHASE INITIALE, DE COURTS CYCLES MARCHE/ARRÊT.
5. **LORS DES PREMIERS DÉMARRAGES, AUCUN OBJET NE DOIT ÊTRE APPUYÉ SUR L'APPAREIL ET EN DÉTAIL SUR LES SURFACES ÉMAILLÉES. LES SURFACES ÉMAILLÉES NE DOIVENT PAS ÊTRE TOUCHÉES PENDANT LE CHAUFFAGE.**
6. UNE FOIS LE « BURN-IN » TERMINÉ, IL EST POSSIBLE D'UTILISER LE PRODUIT COMME MOTEUR D'UNE VOITURE, EN ÉVITANT UN ÉCHAUFFEMENT BRUSQUE AVEC DES CHARGES EXCESSIVES.

Pour allumer le feu, il est suggéré d'utiliser de petits morceaux de bois avec du papier ou d'autres moyens d'éclairage commercialisés. **Ne pas utiliser de grille surélevée ni augmenter le feu.**

Les ouvertures pour l'air (primaire et secondaire) doivent être ouvertes ensemble (vous devez ouvrir le contrôle d'allumage éventuel et le robinet de tirage placé sur le tuyau d'échappement des fumées). Lorsque le bois commence à brûler, vous pouvez charger d'autres combustibles et ajuster l'air de combustion selon les instructions du paragraphe DESCRIPTION TECHNIQUE.



AVERTISSEMENTS

SOYEZ TOUJOURS PRÉSENT PENDANT CETTE PHASE.

IL EST RECOMMANDÉ D'ACCUMULER ET D'ENTREtenir L'INCENDIE, EN ÉVITANT TOUT REMPLACEMENT (VOIR LE CHAP. DESCRIPTION TECHNIQUE/CONSOMMATION HORAIRES). TROP DE COMBUSTIBLE ET TROP D'AIR POUR LA COMBUSTION PEUVENT PROVOQUER UNE SURCHAUFFE ET DONC ENDOMMAGER L'APPAREIL.

LA GARANTIE NE COUVRE PAS LES DOMMAGES DUS À LA SURCHAUFFE DE L'ÉQUIPEMENT.

8.1.1 ALLUMAGE À BASSES ÉMISSIONS

La combustion sans fumée est une méthode d'allumage qui permet de réduire notablement les émissions de substances nocives. Le bois brûle progressivement du haut vers le bas, ainsi la combustion est plus lente et mieux contrôlée. Les gaz brûlés traversent les hautes températures de la flamme et brûlent donc presque complètement.

Placer les bûches dans le foyer à une certaine distance l'une de l'autre, comme indiqué sur **l'image**. Disposer les plus grosses en bas et les plus minces en haut, ou à la verticale en cas de foyer étroit et haut. Placer l'allume-feu sur le montage, disposer des bûches sur l'allume-feu perpendiculairement au tas de bois.

8.1.2 MODULE D'ALLUMAGE DU FEU

CE MODULE D'ALLUMAGE DU FEU REMPLACE UN DÉMARREUR PAPIER OU CARTON.

Préparer quatre bûches de 20 cm de long avec une section de 3 cm sur 3 cm comme sur **la photo**. Mettre les quatre bûches croisées au-dessus du tas de bois, transversalement à celui-ci, avec au milieu l'allume-feu (qui peut être par exemple de la fibre de bois enduite de cire). Le feu peut être allumé avec une allumette. Si vous le souhaitez, vous pouvez utiliser des pièces de bois plus fines. Dans ce cas, vous aurez besoin d'une plus grande quantité.

Maintenir la soupape d'échappement des gaz de combustion et le régulateur d'air de combustion ouverts dans la position indiquée dans conformément aux instructions du paragraphe POUR ALLUMER LA FLAMME.

Après avoir allumé l'incendie, laissez le régulateur d'air de combustion ouvert dans la position indiquée dans conformément aux instructions sur la DESCRIPTION TECHNIQUE du paragraphe.

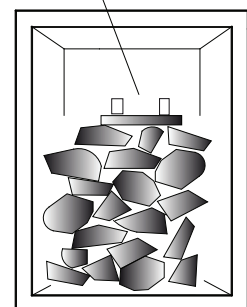
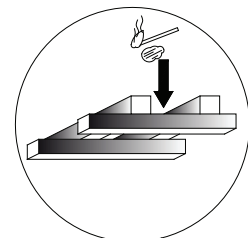
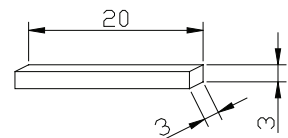
IMPORTANT :

- NE PAS AJOUTER DE BOIS SUPPLÉMENTAIRE ENTRE UNE CHARGE COMPLÈTE ET LA SUIVANTE ;
- NE PAS ÉTOUFFER LE FEU EN FERMANT LES PRISES D'AIR ;
- NETTOYAGE RÉGULIER PAR UN BALAYAGE DE CHEMINÉE RÉDUIT LES ÉMISSIONS DE PARTICULES FINES.

Ces instructions sont suggérées par ENERGIA Legno SVIZZERA

WWW.ENERGIA-LEGNO.CH

MODULE D'ALLUMAGE DU FEU



8.2 FONCTIONNEMENT NORMAL



AVERTISSEMENTS

POUR DES RAISONS DE SÉCURITÉ, LA PORTE DU FOYER NE PEUT ÊTRE OUVERTE QUE POUR CHARGER LE COMBUSTIBLE.

LA PORTE DU FOYER DOIT TOUJOURS RESTER FERMÉE PENDANT LE FONCTIONNEMENT OU LE REPOS.

LORSQUE DU COMBUSTIBLE EST AJOUTÉ SUR LES BRAISES EN L'ABSENCE DE FLAMME, UNE QUANTITÉ CONSIDÉRABLE DE FUMÉES PEUT SE FORMER. SI CELA SE PRODUIT, UN MÉLANGE EXPLOSIF DE GAZ ET D'AIR PEUT SE FORMER ET, DANS DES CAS EXTRÊMES, UNE EXPLOSION PEUT SE PRODUIRE. POUR DES RAISONS DE SÉCURITÉ, IL EST CONSEILLÉ D'EFFECTUER UNE NOUVELLE PROCÉDURE D'ÉCLAIRAGE AVEC L'UTILISATION DE PETITES BANDES.

Après avoir correctement positionné les registres, insérer la charge horaire de bois indiquée en évitant les surcharges qui provoquent des contraintes et des déformations anormales (selon les instructions sur la DESCRIPTION TECHNIQUE du paragraphe).

VOUS DEVEZ TOUJOURS UTILISER LE PRODUIT AVEC LA PORTE FERMÉE AFIN D'ÉVITER LES DOMMAGES DUS À UNE SURCHAUFFE (EFFET DE FORGE). LE NON-RESPECT DE CETTE RÈGLE FAIT EXPIRER LA GARANTIE.

POUR DES RAISONS DE SÉCURITÉ, LA PORTE DES APPAREILS DOIT ÊTRE OUVERTE UNIQUEMENT POUR LE CHARGEMENT DU COMBUSTIBLE OU POUR L'ÉLIMINATION DES CENDRES, TANDIS QUE PENDANT LE FONCTIONNEMENT ET LE REPOS, LA PORTE DU FOYER DOIT RESTER FERMÉE.

Avec les commandes positionnées à l'avant de l'appareil, il est possible de régler l'émission de chaleur du foyer. Elles doivent être ouvertes en fonction du besoin calorifique. La meilleure combustion (avec des émissions minimales) est atteinte lorsque, en chargeant le bois, la majeure partie de l'air de combustion s'écoule à travers le registre d'air secondaire.

NE JAMAIS SURCHARGER L'APPAREIL (VOIR LA CHARGE HORAIRE DE BOIS DANS LE TABLEAU CI-DESSOUS). TROP DE COMBUSTIBLE ET TROP D'AIR POUR LA COMBUSTION PEUVENT PROVOQUER UNE SURCHAUFFE ET ENDOMMAGER LE POÊLE. VOUS DEVEZ TOUJOURS UTILISER L'APPAREIL AVEC LA PORTE FERMÉE AFIN D'ÉVITER LES DOMMAGES DUS À UNE SURCHAUFFE (EFFET DE FORGE). LE NON-RESPECT DE CETTE RÈGLE FAIT EXPIRER LA GARANTIE.

Le réglage des registres nécessaires pour atteindre le rendement calorifique nominal avec une dépression à la cheminée de 12 Pa 1,2 mm de colonne d'eau) est le suivant : voir chapitre DESCRIPTION TECHNIQUE. **L'appareil fonctionne comme un appareil à fonctionnement intermittent.**

Outre le réglage de l'air pour la combustion, l'intensité de la combustion et par conséquent les performances thermiques du dispositif sont influencées par le conduit de fumée. Un bon tirage de la cheminée nécessite moins d'ajustement de l'air pour la combustion, tandis qu'un mauvais tirage nécessite un ajustement plus précis de l'air pour la combustion.

Pour vérifier la bonne combustion, vérifier si la fumée sortant de la cheminée est transparente.

S'il est blanc, cela signifie que l'appareil n'est pas correctement réglé ou que le bois est trop humide ; si au contraire la fumée est grise ou noire, cela indique que la combustion n'est pas terminée (il faut une plus grande quantité d'air secondaire).

8.2.1 UTILISATION DU FOUR

Placer le contrôleur de fumée dans la position d'UTILISATION DU FOUR (voir chap. DESCRIPTION TECHNIQUE)

Grâce au flux d'air pour la combustion, la température du four peut être remarquablement affectée. Une cheminée suffisante de la cheminée et des canaux, bien nettoyés pour l'écoulement des fumées brûlantes autour du four sont fondamentaux pour un bon résultat de cuisson. Les gâteaux épais et les gros rôtis doivent être introduits au niveau le plus bas. Les gâteaux plats et les biscuits doivent atteindre le niveau moyen. Le niveau supérieur peut être utilisé pour chauffer ou griller.

Le bac du four et la grille du four chromée peuvent être situés sur différents plans (voir chapitre Description technique - ACCESSOIRES).

Lorsque vous cuisinez des aliments avec une humidité élevée, des gâteaux avec des fruits ou des fruits, de l'eau de condensation sera produite. Pendant le processus de cuisson, de la vapeur d'eau sous forme de gouttes d'eau condensée peut se déposer sur le dessus et le côté de la porte. C'est un phénomène physique.

En ouvrant la porte brièvement et soigneusement (1 ou 2 fois, ou même souvent en cas de temps de cuisson plus longs), vous pouvez laisser sortir la vapeur du compartiment de cuisson et réduire considérablement la condensation.

8.2.2 FONCTIONNEMENT PENDANT LES PÉRIODES DE TRANSITION

Pendant les périodes de transition où les températures externes sont plus élevées, s'il y a une augmentation soudaine de la température, il peut arriver que les gaz de combustion à l'intérieur de la cheminée ne puissent pas être complètement aspirés.

Les gaz d'échappement ne sortent pas complètement (odeur intense de gaz). Dans ce cas, agiter plus fréquemment la grille du brasier et augmenter l'air de combustion. Ensuite, charger une quantité réduite de combustible afin de permettre une combustion rapide (croissance des flammes) et la stabilisation du tirant d'eau. Vérifier ensuite que toutes les ouvertures pour le nettoyage et les connexions au conduit sont étanches à l'air.

EN CAS DE DOUTE, NE PAS UTILISER LE PRODUIT.

9.0 ENTRETIEN ET SOIN

TOUJOURS SUIVRE LES INSTRUCTIONS EN TOUTE SÉCURITÉ !

- ◆ S'ASSURER QUE LE CORDON D'ALIMENTATION EST DÉBRANCHÉ (LE CAS ÉCHÉANT).
- ◆ QUE LE GÉNÉRATEUR EST FROID PARTOUT.
- ◆ LES CENDRES SONT COMPLÈTEMENT FROIDES.
- ◆ ASSURER UN ÉCHANGE D'AIR EFFICACE DANS LA PIÈCE PENDANT LES OPÉRATIONS DE NETTOYAGE DU PRODUIT.
- ◆ UN MAUVAIS NETTOYAGE COMPROMETTRA LE BON FONCTIONNEMENT ET LA SÉCURITÉ !



AVERTISSEMENTS

L'ENTRETIEN ET LES SOINS DOIVENT ÊTRE EFFECTUÉS UNIQUEMENT AVEC UN APPAREIL FROID.

VOUS NE DEVEZ UTILISER QUE DES PIÈCES DE RECHANGE APPROUVÉES ET FOURNIES PAR LA NORDICA S.P.A. VEUILLEZ CONTACTER VOTRE REVENDEUR SPÉCIALISÉ SI VOUS AVEZ BESOIN DE PIÈCES DE RECHANGE. VOUS NE DEVEZ APPORTER AUCUNE MODIFICATION À L'APPAREIL !!!

9.1 MAINTENANCE PÉRIODIQUE À LA CHARGE DE L'UTILISATEUR

La maintenance périodique, tel qu'indiqué dans la présente Instruction d'installation et d'utilisation, doit être effectué avec le plus grand soin après avoir lu les instructions, les procédures et la fréquence décrites dans ce manuel.

Vérifier l'entrée d'air externe, en la nettoyant, au moins une fois par an. La cheminée doit être régulièrement balayée par le balayeur de cheminée.

Laissez votre ramoneur en charge de votre secteur vérifier l'installation régulière de l'appareil, la connexion au conduit de fumée et l'aération. Se reporter au chapitre « 3.2.2 ENTRETIEN DE LA CHEMINÉE ET DU CONNECTEUR DE CHEMINÉE » sur la formation potentielle de crésote dans la cheminée et le connecteur de cheminée.

9.1.1 NETTOYAGE DE LA VITRE

Grâce à une entrée spécifique d'air secondaire, l'accumulation de sédiments sales sur la porte vitrée est réduite avec efficacité. Néanmoins, cela ne peut jamais être évité en utilisant des combustibles solides (en particulier du bois humide) et cela ne doit pas être compris comme un défaut de l'appareil.

La phase d'allumage correcte, l'utilisation de quantités et de types de combustibles appropriés, la position correcte du régulateur d'air secondaire, un tirage suffisant du liquide de cheminée et la présence d'air de combustion sont les éléments essentiels au fonctionnement optimal de l'appareil et au nettoyage du verre.



AVERTISSEMENTS

LE NETTOYAGE DE LA VITRE DOIT ÊTRE EFFECTUÉ UNIQUEMENT ET EXCLUSIVEMENT AVEC UN DISPOSITIF À FROID POUR ÉVITER L'EXPLOSION DE LA VITRE.

POUR LE NETTOYAGE, IL EST POSSIBLE D'UTILISER DES PRODUITS SPÉCIFIQUES OU UNE BOULE DE PAPIER JOURNAL HUMIDE PASSÉE DANS LES CENDRES POUR LA FROTTER. NE PAS UTILISER DE CHIFFONS, DE PRODUITS ABRASIFS OU CHIMIQUEMENT AGRESSIFS EN NETTOYANT LA VITRE DU FOYER

9.1.2 REMPLACEMENT DE LA VITRE BRISÉE

Veillez suivre les étapes suivantes afin de remplacer solidement un verre endommagé :

- Retirer le ressort de fermeture automatique, le cas échéant, situé dans la zone inférieure de la porte
- Retirer la porte du produit, en retirant les goupilles spéciales ou les charnières fixées avec les vis de verrouillage, de préférence à partir de la fixation supérieure.
- Placer la porte sur une base solide et retirez les vis de fixation des plaques ou des perles de vitrage, situées à l'intérieur de la porte
- Retirer la vitre endommagée et nettoyez la porte.
- Vérifier que les joints d'étanchéité sur la porte ou sur les cordons de vitrage ne sont pas endommagés et les remplacer, si nécessaire.
- Monter le nouveau verre sur la porte, en prenant soin de serrer soigneusement les vis des perles de verre, car si elles sont trop serrées, elles peuvent casser le verre.



AVERTISSEMENTS

RUPTURE DES VITRES :

LES VITRES SONT EN VITROCÉRAMIQUE RÉSISTANTES A DES POUSSÉES THERMIQUES DE 1382°F (750°C), PAR CONSÉQUENT, ELLES NE SONT PAS SUJETTES À DES CHOCS THERMIQUES. ELLES NE PEUVENT SE ROMPRE QUE PAR CHOCS MÉCANIQUES TELS QUE COUPS OU FERMETURE VIOLENTE DE LA PORTE. PAR CONSÉQUENT, LEUR REMPLACEMENT N'EST PAS INCLUS DANS LA GARANTIE.

NE PAS UTILISER CET APPAREIL AVEC DES VITRES CASSÉES

LES COMPOSANTS EN VERRE CASSÉS OU ENDOMMAGÉS DOIVENT ÊTRE RETIRÉS ET RÉINSTALLÉS EN PRENANT SOIN D'UTILISER DES JOINTS D'ÉTANCHÉITÉ, DES DISPOSITIFS D'AMORTISSEMENT ET D'AUTRES ACCESSOIRES APPROPRIÉS, EN MAINTENANT LES DÉGAGEMENTS DES BORDS

REEMPLACER LA VITRE UNIQUEMENT PAR UNE VITRE FOURNIE PAR LE FABRICANT OU LE DISTRIBUTEUR DE CET APPAREIL

9.1.3 DIMENSIONS DES VITRES EN VITROCÉRAMIQUE

L'appareil est équipé des vitres en vitrocéramique suivants :

MODÈLE	Géométries de la vitre (Largeur x Hauteur x Épaisseur) [mm]	
	PORTE COUPE-FEU	PORTE DE FOUR
ROSA REVERSE UL-C	13,07 x 12,4 x 0,16 -in (348 x 315 x 4 mm)	8,66 x 12,32 x 0,16 -in (220 x 313 x 4 mm)
ROSA SINISTRA REVERSE UL-C	13,07 x 12,4 x 0,16 -in (348 x 315 x 4 mm)	8,66 x 12,32 x 0,16 -in (220 x 313 x 4 mm)
ROSA UL-C	8,66 x 12,32 x 0,16 -in (220 x 313 x 4 mm)	13,07 x 12,4 x 0,16 -in (348 x 315 x 4 mm)

9.1.4 NETTOYAGE DES CENDRES

Tous les appareils sont équipés d'une grille de foyer et d'un tiroir à cendres pour la collecte des cendres (voir chap. NETTOYAGE DE LA GRILLE DE FOYER).

Il est suggéré de vider périodiquement le tiroir à cendres et d'éviter qu'il ne se remplisse complètement afin de ne pas surchauffer la grille. De plus, il est suggéré de laisser toujours 1,18-15,57-in (3-4 cm) de cendres dans le foyer.



AVERTISSEMENTS

LES CENDRES DOIVENT ÊTRE PLACÉES DANS UN RÉCIPIENT MÉTALLIQUE AVEC UN COUVERCLE HERMÉTIQUE. LE CONTENEUR FERMÉ DE CENDRES DOIT ÊTRE PLACÉ SUR UN SOL NON COMBUSTIBLE OU SUR LE SOL, LOIN DE TOUS LES MATÉRIAUX COMBUSTIBLES, EN ATTENDANT L'ÉLIMINATION FINALE. SI LES CENDRES SONT ÉLIMINÉES PAR ENFOUISSEMENT DANS LE SOL OU AUTREMENT DISPERSÉES LOCALEMENT, ELLES DOIVENT ÊTRE CONSERVÉES DANS LE RÉCIPIENT FERMÉ JUSQU'À CE QUE TOUTES LES CENDRES AIENT COMPLÈTEMENT REFROIDI.

La phase d'allumage correcte, l'utilisation de quantités et de types de combustibles appropriés, la position correcte du régulateur d'air secondaire, un tirage suffisant du liquide de cheminée et la présence d'air de combustion sont les éléments essentiels au fonctionnement optimal de l'appareil.

L'appareil doit être complètement nettoyé au moins une fois par an ou à chaque fois qu'il est nécessaire (en cas de mauvais fonctionnement et de faible rendement). Un dépôt excessif de suie peut causer des problèmes d'évacuation des fumées et d'incendie dans le conduit de fumée.

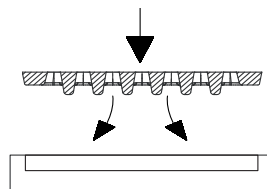


AVERTISSEMENTS

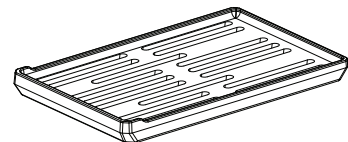
LE NETTOYAGE DOIT ÊTRE EFFECTUÉ EXCLUSIVEMENT AVEC DES ÉQUIPEMENTS FRIGORIFIQUES. CETTE OPÉRATION DOIT ÊTRE EFFECTUÉE PAR UN BALAYEUR DE CHEMINÉE QUI PEUT EFFECTUER SIMULTANÉMENT UN AUDIT DE LA CHEMINÉE (VÉRIFICATION DES ÉVENTUELS DÉPÔTS DE CRÉOSOTE).

9.1.5 NETTOYAGE DE LA GRILLE DU FOYER

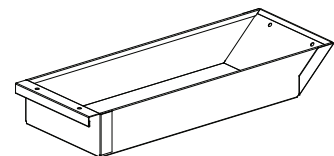
Si, pour une raison quelconque, le gril est retiré du four, veillez à l'assembler avec la partie la plus large de la fente tournée vers le bas. Ceci est destiné à faciliter le nettoyage des fours.



GRILLE PLATE
ÉPAISSE en fonte



Tiroir à cendres



9.1.6 ENTRETIEN DU FOUR

Pour éviter la formation éventuelle de rouille, il est recommandé :

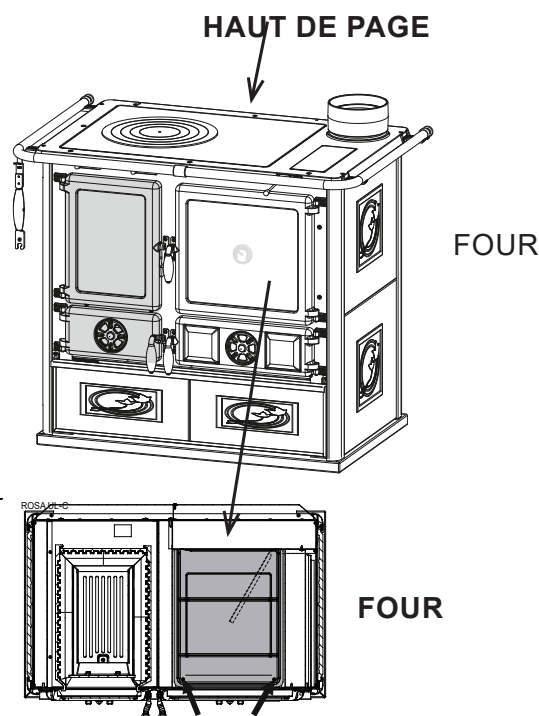
- Laisser la vapeur sortir du four pour réduire la formation de condensation en ouvrant la porte brièvement et prudemment (1 ou 2 fois, ou plus souvent en cas de cuisson d'aliments très humides et avec des temps de cuisson plus longs) ;
- Retirer les aliments du four une fois cuits. Le fait de laisser refroidir les aliments dans le four à une température inférieure à 302°F (150 °C) entraîne la formation de condensation ;
- Après cuisson, laisser la porte du four partiellement ouverte pour assécher toute condensation ;
- Dans le cas où de l'humidité se forme à l'intérieur du four, nous vous suggérons de traiter avec de la vaseline neutre la partie intérieure de la porte en fonte (le cas échéant).
- Répéter le traitement avec la vaseline neutre sur la partie intérieure de la porte en fonte tous les 3-6 mois, en fonction de la fréquence d'utilisation du four ;
- En cas de présence de rouille sur la partie intérieure de la porte en fonte, enlevez la rouille en utilisant un matériau abrasif, puis traitez la surface en fonte avec de la vaseline neutre.

AFIN D'ASSURER LA QUALITÉ DES ALIMENTS CUITS AU FOUR, **LES PARTIES INTERNES DES PORTES EN FONTE N'ONT ÉTÉ TRAITÉES AVEC AUCUN PRODUIT.**

9.1.7 NETTOYAGE DU COMPARTIMENT DE COLLECTE DES FUMÉES

Le boîtier du compartiment de collecte des fumées peut être nettoyé soit à travers le four :

- retirer la tôle horizontale qui constitue la base du **FOUR** (voir Image) ;
- ou par le **HAUT** (à cet effet, retirez les cercles de la plaque de cuisson et démontez le tuyau de fumée du petit coffre d'échappement).



AVERTISSEMENTS

LE NETTOYAGE PEUT ÊTRE EFFECTUÉ À L'AIDE D'UNE BROSSSE ET D'UN SABOT

UNE FOIS LES OPÉRATIONS DE NETTOYAGE TERMINÉES, TOUTES LES PIÈCES DOIVENT ÊTRE REMONTÉES HERMÉTIQUEMENT.

9.1.8 PLAQUE DE CUISSON ET ANNEAUX EN FONTE

LA PLAQUE DE CUISSON EN FONTE ET LES ANNEAUX EN FONTE DOIVENT ÊTRE NETTOYÉS PÉRIODIQUEMENT À L'AIDE DE PAPIER DE VERRE (GRAIN 150) SANS TOUCHER LES PARTIES ÉMAILLÉES.

Pour effectuer l'opération de nettoyage, retirer :

- l'embout de sortie de fumée et le tuyau de fumée.
- Le compartiment de collecte à fumée peut être nettoyé du four (voir chap. NETTOYAGE DU COMPARTIMENT DE COLLECTE DES FUMÉES) ou par le haut. Dans ce cas, retirer les anneaux de fonte et la plaque de cuisson, ainsi que l'embout de sortie de fumée et le tuyau de fumée.

PLAQUE DE CUISSON EN ACIER INOXYDABLE (LE CAS ÉCHÉANT)

UNE FOIS QUE VOUS AVEZ PLACÉ LA PLAQUE DE CUISSON EN FONTE, S'ASSURER D'AVOIR TOUJOURS 3 MM ENTRE LA PLAQUE DE CUISSON ET LE CADRE EN ACIER INOXYDABLE. CET ÉCART EST IMPORTANT EN RAISON DES DILATATIONS THERMIQUES ET POUR ÉVITER LES CHANGEMENTS CHROMATIQUES DU CADRE EN ACIER INOXYDABLE À CHAUD.



AVERTISSEMENTS

POUR ÉVITER LA ROUILLE, NE PAS OUBLIER LES CASSEROLES OU POÊLES SUR LA PLAQUE DE CUISSON FROIDE. CELA CRÉERAIT DES ANNEAUX DE ROUILLE, DÉSAGRÉABLES À VOIR ET DIFFICILES À ENLEVER.

LE NETTOYAGE PEUT ÊTRE EFFECTUÉ À L'AIDE D'UNE BROSSE ET D'UN SABOT

UNE FOIS LES OPÉRATIONS DE NETTOYAGE TERMINÉES, TOUTES LES PIÈCES DOIVENT ÊTRE REMONTÉES HERMÉTIQUEMENT.

9.1.9 PRODUITS VERNIS

Après quelques années d'utilisation du produit, un changement de la couleur des détails vernis est tout à fait normal. Ceci est dû à la plage de température considérable à laquelle le produit est soumis chaque fois qu'il est utilisé et au vieillissement du vernis au fil du temps.

AVANT TOUTE APPLICATION ÉVENTUELLE DU NOUVEAU VERNIS, NETTOYEZ ET ENLEVEZ TOUTES LES TRACES DE LA SURFACE QUI DOIT ÊTRE VERNIE.

9.1.10 PRODUITS ÉMAILLÉS

Pour le nettoyage des surfaces émaillées, utiliser de l'eau savonneuse ou des détergents non agressifs et non chimiquement abrasifs.

APRÈS LE NETTOYAGE, NE PAS LAISSER SÉCHER L'EAU SAVONNEUSE OU TOUT NETTOYANT, MAIS LES ÉLIMINER IMMÉDIATEMENT.

NE PAS UTILISER DE PAPIER DE VERRE OU DE LAINE D'ACIER.

9.1.11 PIÈCES CHROMÉES

SI LES COMPOSANTS DEVIENNENT BLEUÂTRES EN RAISON D'UNE SURCHAUFFE, CELA PEUT ÊTRE RÉSOLU AVEC UN PRODUIT APPROPRIÉ POUR LE NETTOYAGE. NE PAS UTILISER DE PRODUITS ABRASIFS OU DE SOLVANTS.

9.1.12 MAIN COURANTE LATÉRALE

LES POIGNÉES, LA MAIN COURANTE ET L'EAU DU RÉSERVOIR (CUISINIÈRES) DOIVENT ÊTRE NETTOYÉES AVEC UN CHIFFON DOUX ET DE L'ALCOOL **LORSQUE LE GÉNÉRATEUR EST FROID PARTOUT**. NE PAS UTILISER DE PRODUITS ABRASIFS OU DE SOLVANTS.

9.1.13 FAÏENCE (LE CAS ÉCHÉANT)

La NORDICA S.p.A. a choisi les carreaux de faïence, qui sont le résultat d'un travail artisanal de haute qualité. Comme elles sont entièrement réalisées à la main, la faïence peut présenter des craquelures, des mouchetures et des ombres. Ces caractéristiques attestent leur origine précieuse.

L'émail et la faïence, en raison de leur coefficient de dilatation différent, produisent des microcraquelures, qui montrent leur caractère authentique.

POUR LE NETTOYAGE DE LA FAÏENCE, NOUS VOUS SUGGÉRONS D'UTILISER UN CHIFFON DOUX ET SEC. SI VOUS UTILISEZ UN DÉTERGENT OU UN LIQUIDE, CE DERNIER PEUT S'IMPRÉGNER ET METTRE EN ÉVIDENCE LES CRAQUELURES EN PERMANENCE.

9.1.14 PRODUITS EN PIERRE NATURELLE (LE CAS ÉCHÉANT)

LA PIERRE NATURELLE DOIT ÊTRE NETTOYÉE AVEC DU PAPIER ABRASIF TRÈS FIN OU AVEC UNE ÉPONGE ABRASIVE.

NE PAS UTILISER DE NETTOYANT OU DE LIQUIDE.

10.0 CONDITIONS DE GARANTIE

SI VOUS AVEZ BESOIN D'ASSISTANCE :

1. Avant de nous contacter pour organiser l'assistance, veuillez déterminer si votre produit doit être réparé. Certaines questions peuvent être abordées sans assistance. Veuillez prendre quelques minutes pour consulter le Guide d'utilisation et d'entretien.
2. Tous les services de garantie sont fournis exclusivement par nos fournisseurs de services LA NORDICA EXTRAFLAME autorisés. Aux États-Unis et au Canada, adresser toutes les demandes relatives à l'assistance en garantie à :

GARANTIE LIMITÉE D'UN AN

CE QUI EST COUVERT	CE QUI N'EST PAS COUVERT
<p>Pendant un an à compter de la date d'achat, lorsque cet appareil majeur est installé, utilisé et entretenu conformément aux instructions jointes ou fournies avec le produit, la société LA NORDICA EXTRAFLAME paiera les pièces de rechange spécifiées en usine et la main-d'œuvre de réparation pour corriger les défauts de matériaux ou de fabrication qui existaient au moment de l'achat de cet appareil ou, à sa seule discrétion, remplacer le produit. En cas de remplacement du produit, votre appareil sera garanti pour la durée restante de la garantie</p> <p>VOTRE SEUL ET EXCLUSIF RECOURS EN VERTU DE CETTE GARANTIE LIMITÉE SERA LA RÉPARATION DU PRODUIT COMME PRÉVU ICI. Le service doit être fourni par une société de services désignée LA NORDICA EXTRAFLAME. Cette garantie limitée n'est valable qu'aux États-Unis ou au Canada et ne s'applique que lorsque l'appareil principal est utilisé dans le pays où il a été acheté. Cette garantie limitée entre en vigueur à compter de la date d'achat du consommateur d'origine. Une preuve de la date d'achat originale est requise pour obtenir le service sous cette garantie limitée.</p> <ul style="list-style-type: none"> • COMPOSANTS NON COUVERTS : Vitres, joints, coque extérieure, composants en fonte, tous les matériaux soumis à l'usure. • LA SOCIÉTÉ LA NORDICA EXTRAFLAME GARANTIT LE PRODUIT POUR UNE PÉRIODE D'UN AN (12 MOIS) 	<ol style="list-style-type: none"> 1. Utilisation commerciale, non résidentielle, multifamiliale ou incompatible avec les instructions d'utilisation, d'opérateur ou d'installation publiées. 2. Instructions à domicile sur la façon d'utiliser votre produit. 3. Service pour corriger un mauvais entretien ou installation du produit, installation non conforme aux codes électriques ou de plomberie ou correction de l'électricité domestique ou de la plomberie 4. Pièces consommables (filtres à air ou à eau, solutions de conservation, etc.). 5. Les dommages causés par un accident, une mauvaise utilisation, une utilisation abusive, un incendie, des inondations, des catastrophes naturelles ou une utilisation avec des produits non approuvés par LA NORDICA EXTRAFLAME. 6. Réparations des pièces ou des systèmes pour corriger les dommages ou les défauts du produit causés par un service non autorisé, une altération ou une modification de l'appareil. 7. Les dommages esthétiques, y compris les rayures, bosselures, copeaux et autres dommages aux finitions de l'appareil, sauf si ces dommages résultent de défauts de matériaux et de fabrication et sont signalés à LA NORDICA EXTRAFLAME dans les 30 jours. 8. Décoloration, rouille ou oxydation des surfaces résultant d'environnements caustiques ou corrosifs, y compris, mais sans s'y limiter, des concentrations élevées de sel, une humidité ou une humidité élevée ou une exposition à des produits chimiques. 9. Perte de nourriture ou de médicament due à une défaillance du produit. 10. Ramassage ou livraison. Ce produit est destiné à la réparation à domicile. 11. Frais de déplacement ou de transport pour le service dans des endroits éloignés où un réparateur LA NORDICA EXTRAFLAME autorisé n'est pas disponible. 12. Retrait ou réinstallation d'appareils ou d'accessoires intégrés inaccessibles (c.-à-d. garnitures, panneaux décoratifs, planchers, armoires, îlots, comptoirs, cloisons sèches, etc.) qui interfèrent avec l'entretien, le retrait ou le remplacement du produit. 13. Entretien ou pièces pour appareils dont les numéros de modèle/série d'origine ont été retirés, modifiés ou difficiles à déterminer.

CLAUSE DE NON-RESPONSABILITÉ DES GARANTIES IMPLICITES

LES GARANTIES IMPLICITES, Y COMPRIS TOUTE GARANTIE IMPLICITE DE QUALITÉ MARCHANDE OU TOUTE GARANTIE IMPLICITE D'ADÉQUATION À UN USAGE PARTICULIER, SONT LIMITÉES À UN AN OU À LA PÉRIODE LA PLUS COURTE PERMISE PAR LA LOI.

Certains États et certaines provinces n'autorisent pas de limites à la durée des garanties implicites de qualité marchande ou d'adéquation, de sorte que cette limitation peut ne pas s'appliquer à vous. Cette garantie vous donne des droits légaux spécifiques, et vous pouvez avoir d'autres droits qui varient d'un État à l'autre ou d'une province à l'autre.

CLAUSE DE NON-RESPONSABILITÉ DES DÉCLARATIONS EN DEHORS DE LA GARANTIE

LA NORDICA EXTRAFLAME ne fait aucune déclaration sur la qualité, la durabilité ou le besoin d'entretien ou de réparation de cet appareil majeur, à l'exception des déclarations contenues dans la présente garantie.

LIMITATION DES RECOURS ; EXCLUSION DES DOMMAGES ACCESSOIRES ET CONSÉCUTIFS

VOTRE SEUL ET EXCLUSIF RECOURS EN VERTU DE CETTE GARANTIE LIMITÉE SERA LA RÉPARATION DU PRODUIT COMME PRÉVU ICI. LA NORDICA EXTRAFLAME NE SERA PAS RESPONSABLE DES DOMMAGES ACCESSOIRES OU CONSÉCUTIFS.

Certains États et provinces n'autorisent pas l'exclusion ou la limitation des dommages accessoires ou consécutifs, de sorte que ces limitations et exclusions peuvent ne pas s'appliquer à vous. Cette garantie vous donne des droits légaux spécifiques, et vous pouvez avoir d'autres droits qui varient d'un État à l'autre ou d'une province à l'autre.



Riscalda la vita.

La NORDICA S.p.A. Via Summano, 104 36030 - MONTECCHIO PRECALCINO (VI) - ITALY
☎ +39.0445.804000 - 📠 +39.0445.804040 - ✉ info@lanordica.com - 🌐 www.lanordica-extraflame.com

MADE IN ITALY
design & production

PRODUIT EN ITALIE PAR **La NORDICA S.p.A.**

POUR TROUVER LE CENTRE D'ASSISTANCE LE PLUS PROCHE POUR CONTACTER VOTRE CONCESSIONNAIRE

OU CONSULTER LE SITE

WWW.LANORDICA-EXTRAFLAME.COM

Article code - Serial number

Code article - Numéro de série

Le Fabricant se réserve le droit de modifier les caractéristiques et les données indiquées dans ce livret à n'importe quel moment et sans préavis, afin d'améliorer ses produits.