



MFFIRE

MFFire.com







# VERSATILITY

OVER 300 POSSIBLE COMBINATIONS

Nova Series brings the ultimate versatility to the hearth industry. With over 300 possible combinations between firebox size, door color, configuration, and accessories, Nova Series can fit virtually any style in any setting.



# NOVA SERIES

VERSATILITY MENU

## STEP 1 CHOOSE A FIREBOX



18" Logs

NOVA



22" Logs

NOVA 2



22" Logs

NOVA 3



## STEP 2 CHOOSE A DOOR



BLACK



CHARCOAL



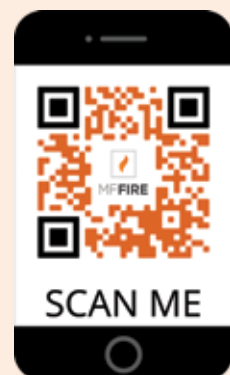
STAINLESS STEEL

## STEP 3 CHOOSE A CONFIGURATION



## STEP 4 CHOOSE ADDITIONAL ACCESSORIES

- LEG KITS: 3", 6", 9"
- REDUCED CLEARANCE KITS
- BLOWER
- ASH LIP
- ASH PAN
- MAKE-UP AIR KIT



Check out all of Nova Series' versatility and the many options it provides with the QR code above.





# NOVA SERIES

FREE STANDING | TOWER | INSERT | BENCH



## FREE STANDING

### NOVA



#### PERFORMANCE

Heating Capacity: Up to 1,500 ft <sup>2</sup>
Max. Heat Output: 50,000 BTU/hr
Max. Efficiency: 79%
EPA Emissions: 1.9 g/hr
Firebox: 1.7 ft <sup>3</sup>
Stove Dimensions: 24" H x 22.5" W x 18.5" D
Glass Dimensions: 12.25" H x 14.25" W
Blower (Optional): 125 CFM
15+ Hour No-Match Restart



### NOVA 2



#### PERFORMANCE

Heating Capacity: Up to 2,500 ft <sup>2</sup>
Max. Heat Output: 75,000 BTU/hr
Max. Efficiency: 81%
EPA Emissions: 1.9 g/hr
Firebox: 2.4 ft <sup>3</sup>
Stove Dimensions: 26.5" H x 27" W x 18.5" D
Glass Dimensions: 13.75" H x 17.75" W
Blower (Optional): 125 CFM
17+ Hour No-Match Restart



### NOVA 3



#### PERFORMANCE

Heating Capacity: Up to 3,000 ft <sup>2</sup>
Max. Heat Output: 100,000 BTU/hr
Max. Efficiency: ---
EPA Emissions: ---
Firebox: 3.2 ft <sup>3</sup>
Stove Dimensions: 26.5" H x 27" W x 23" D
Glass Dimensions: 13.75" H x 17.75" W
Blower (Optional): 125 CFM
19+ Hour No-Match Restart

#### Simple and Easy to Use

Nova is designed to take the guess work and tinkering out of wood burning. Perfect for both the casual wood burner and lifelong burner, there is no longer a need to adjust burn settings. Nova runs on cruise control, meaning you don't need to make adjustments. This allows you to sit back and enjoy a clean, efficient, and beautiful fire.

#### Easy Hearth Mount Installations

Nova's top and rear vent capability sets it up for easy hearth mount installations. Adding a contemporary touch to a traditional look, allowing for true warmth of a wood stove while never compromising the beauty of your existing fireplace.

#### Focus on the Fire

Nova's viewing area mimics the size of the firebox allowing for an intimate experience every time. Up to 245 in<sup>2</sup> of glass showcases the beauty and warmth that a wood fire brings.

COMING SOON, ETA FALL 2022





## TOWER

Nova Tower is the natural evolution of Nova. Still designed to take the guess work and tinkering out of wood burning but offering easier loading and built-in wood storage. Perfect for both the casual wood burner and lifelong burner, there is no longer a need to adjust burn settings. An easy-to-install ash drawer not only serves a practical use, but also completes the look fitting seamlessly with the modern aesthetic expected with the Nova Series. Simply load the stove, light a match, and enjoy the flames.



### NOVA TOWER

Dimensions: 43" H x 22.5" W x 18.5" D

Firebox: 1.7 ft<sup>3</sup>

Blower (Optional): 125 CFM

Storage: 4+ Wood Loads

### NOVA 2 TOWER

Dimensions: 45.5" H x 27" W x 18.5" D

Firebox: 2.4 ft<sup>3</sup>

Blower (Optional): 125 CFM

Storage: 5+ Wood Loads



Photo Courtesy of Chimney Cricket Inc.



**FIRST IN INNOVATION**  
LEADER IN VERSATILITY





# INSERT

Nova Insert brings the perfect modern design with the performance that Nova has been built on. With its large viewing area and minimal trim, it's easy to focus on the beauty of the fire. Enjoy a fire that is efficient and clean from a modern take on the traditional fireplace without the need to make any adjustments. Just light a fire and let Nova take care of the rest.



## NOVA INSERT

Minimum Fireplace Dimensions:  
25" H x 30" W x 16" D

---

Trim Kit: 29" H x 40" W

---

Firebox: 1.7 ft<sup>3</sup>

---

Blower: 105 CFM

## NOVA 2 INSERT

Minimum Fireplace Dimensions:  
28" H x 33" W x 16" D

---

Trim Kit: 32" H x 44" W

---

Firebox: 2.4 ft<sup>3</sup>

---

Blower: 105 CFM







## BENCH

Nova Bench offers a new and unique setting to view the large, beautiful fires that the Nova Series has been built on. Compatible for both the Nova and Nova 2, our bench provides an elevated viewing area, allowing for easier reloading, with ample storage space below. The sleekness and simplicity of operation is the latest example of Nova Series' versatility.



## NOVA BENCH

Bench Dimensions:  
18.5" H x 48" W x 16" D

Firebox: Both Nova & Nova 2

Blower (Optional): 125 CFM

Storage: 5+ Wood Loads

## BEAUTIFUL WOOD STOVES FOR MODERN LIVING





# HEATING FOR A CAUSE



Working on behalf of the American public, the National Forest Foundation leads forest conservation efforts and promotes responsible recreation. We believe these lands, and all they provide, are an American treasure and are vital to the health of our communities.

Through MF Fire's partnership with the National Forest Foundation, we assist in planting native, ecologically appropriate trees at the cost of just \$1 per tree.

A proud small business partner of the

**50 MILLION** FOR OUR **FORESTS**

National Forest Foundation  
[nationalforest.org](http://nationalforest.org)

National Forests and Grasslands provide 193 million acres of wildlands across the country.

- More than 9,000 miles of scenic byways
- Nearly 150,000 miles of hiking trails
- More than 4,400 miles of wild & scenic rivers
- At least 5,100 campgrounds
- 328 natural pools

## 50 Million For Our Forests

Our reforestation campaign continued to address critical reforestation needs on our National Forests to ensure healthy forests for future generations to come.

**7.3M**

Trees Planted in 2021

**25+**

Tree Species

**21,000+**

Acres Reforested

## Supporting Our National Forests

Navigating changing conditions, we continued to work closely with the U.S. Forest Service and our partners to complete critical projects.

**14.2M**

NFF Funds Invested

**\$7.4M**

Funds Leveraged

**\$21.6M**

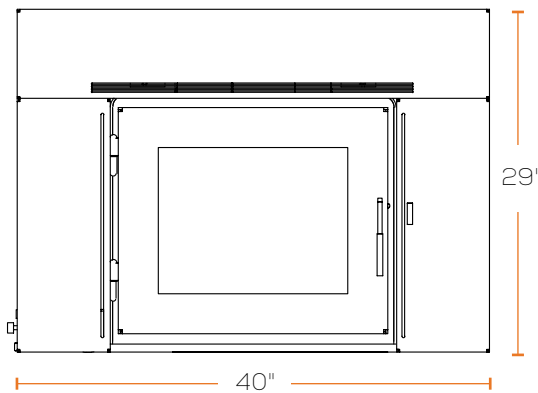
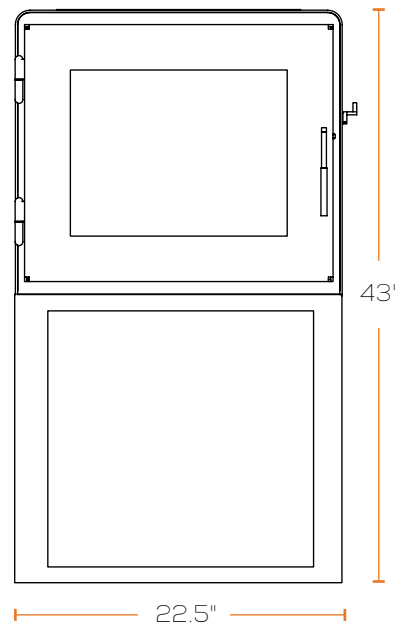
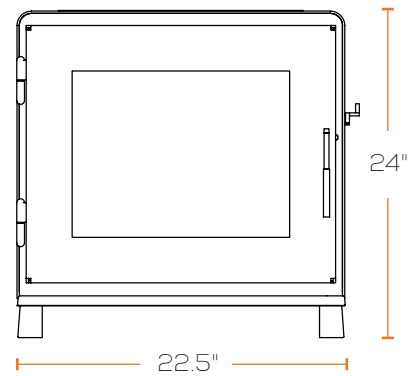
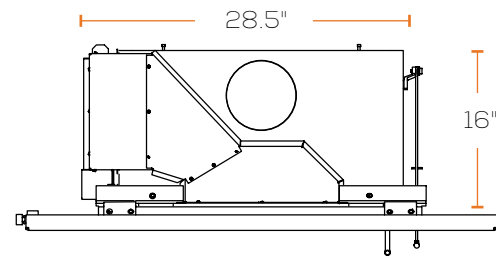
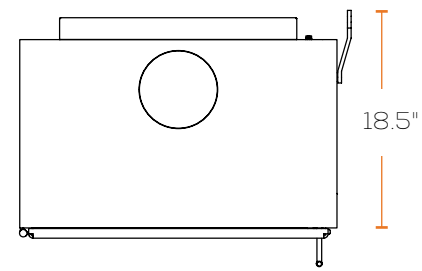
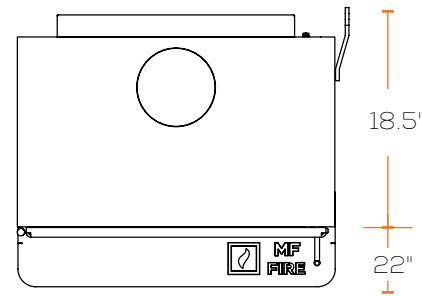
Total Project Value



SCAN ME



# NOVA SPECIFICATIONS



## NOVA

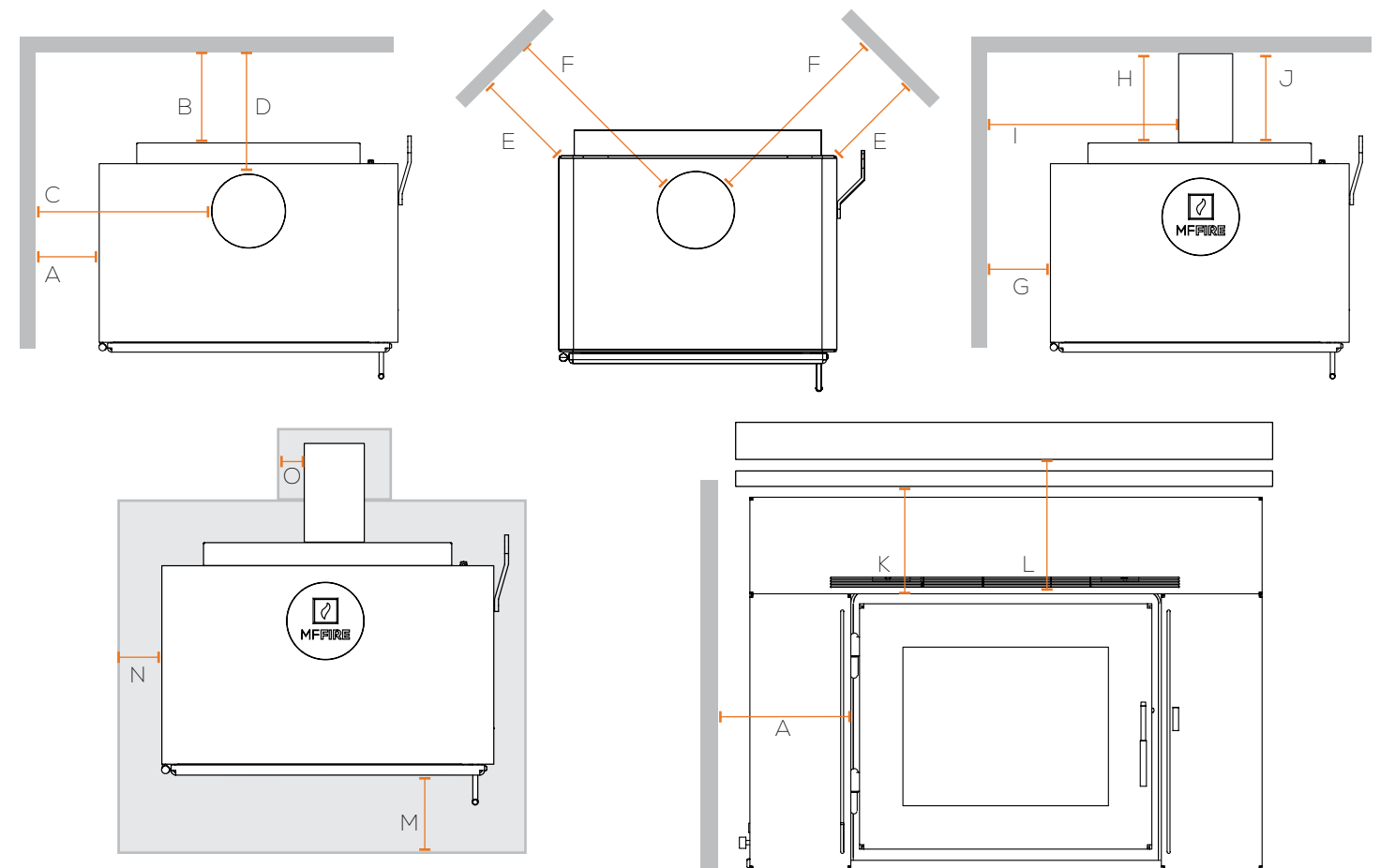
Height with 3" legs	24"
Width (w/o bypass)	22.5"
Width (w/ bypass)	23.6"
Depth w/ 4" ash lip	22"
Depth w/o 4" ash lip	18.5"
Side to center of flue collar	11.25"
Height to center rear flue collar	19"
Back to center top flue collar	6.25"

## NOVA TOWER

Height with tower	43"
Width (w/o bypass)	22.5"
Width (w/ bypass)	23.6"
Depth	18.5"
Side to center of flue collar	11.25"
Height to center rear flue collar	38"
Back to center top flue collar	6.25"

## NOVA INSERT

Surround height	29"
Surround width	40"
Minimum fireplace width	30"
Minimum fireplace height	25"
Minimum fireplace depth	16"
Back to center top flue collar	4.25"



## MINIMUM CLEARANCE REQUIREMENTS

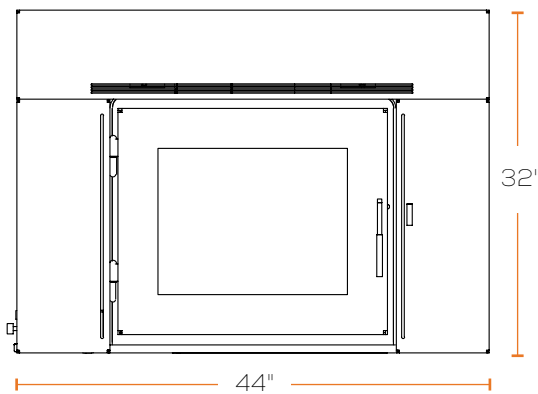
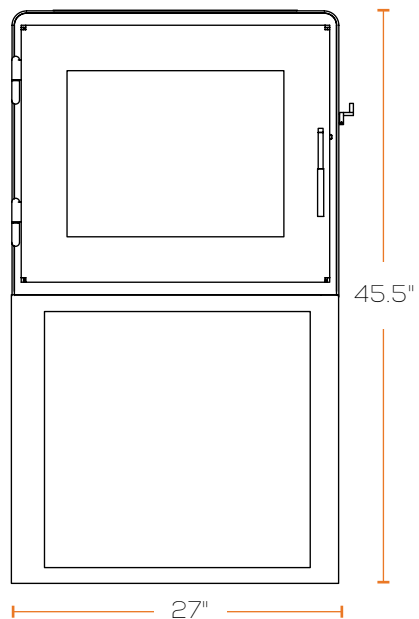
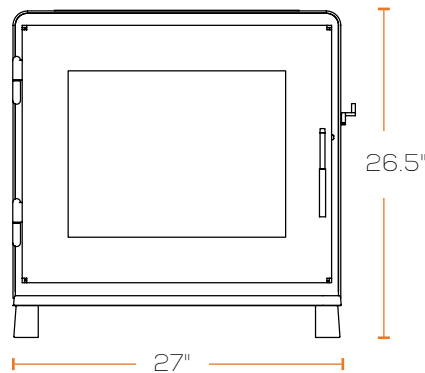
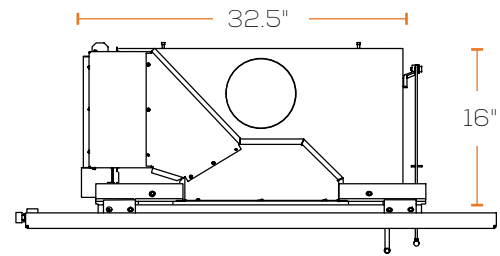
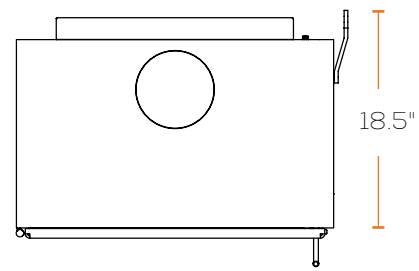
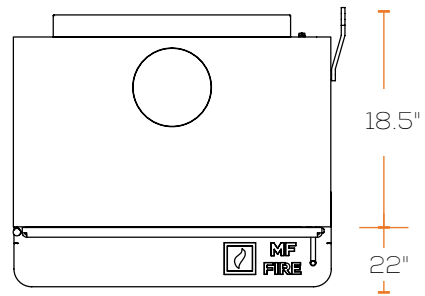
		Single Wall Connector Pipe	Double Wall Connector Pipe	Double Wall Connector Pipe with Reduced Clearance Kit
A	Sidewall to unit	20" (508 mm)	18" (458 mm)	20" (508 mm)
B	Backwall to unit	17" (432 mm)	11" (280 mm)	7.5" (190 mm)
C	Sidewall to connector	28" (711 mm)	26" (661 mm)	28" (711 mm)
D	Backwall to connector	20" (508 mm)	14" (356 mm)	11" (280 mm)
E	Corner to unit	12" (305 mm)	9.5" (241 mm)	9.5" (241 mm)
F	Corner to connector	21" (534 mm)	18.5" (470 mm)	18.5" (470 mm)
G	Sidewall to unit	20" (508 mm)		
H	Backwall to unit	13.5" (343 mm)		
I	Sidewall to connector	28" (711 mm)		
J	Backwall to connector	13.5" (343 mm)		
K	Top of unit to ¾" trim	8" (203 mm)		
L	Top of unit to 8" mantel	11" (280 mm)		
	<b>Floor Protection</b>			
M	Front	16" US/18" CAN		
N	Side	8" (203 mm)		
O	Chimney Connector	2" (51 mm)		

## FLOOR PROTECTION REQUIREMENTS

Leg Height	With Ash Lip	Without Ash Lip
3"	R = 1.35	R = 1.35
6"	Type 1	R = 1.35
9"	Type 1	Type 1
Tower	Type 1	Type 1



# NOVA 2 SPECIFICATIONS



## NOVA 2

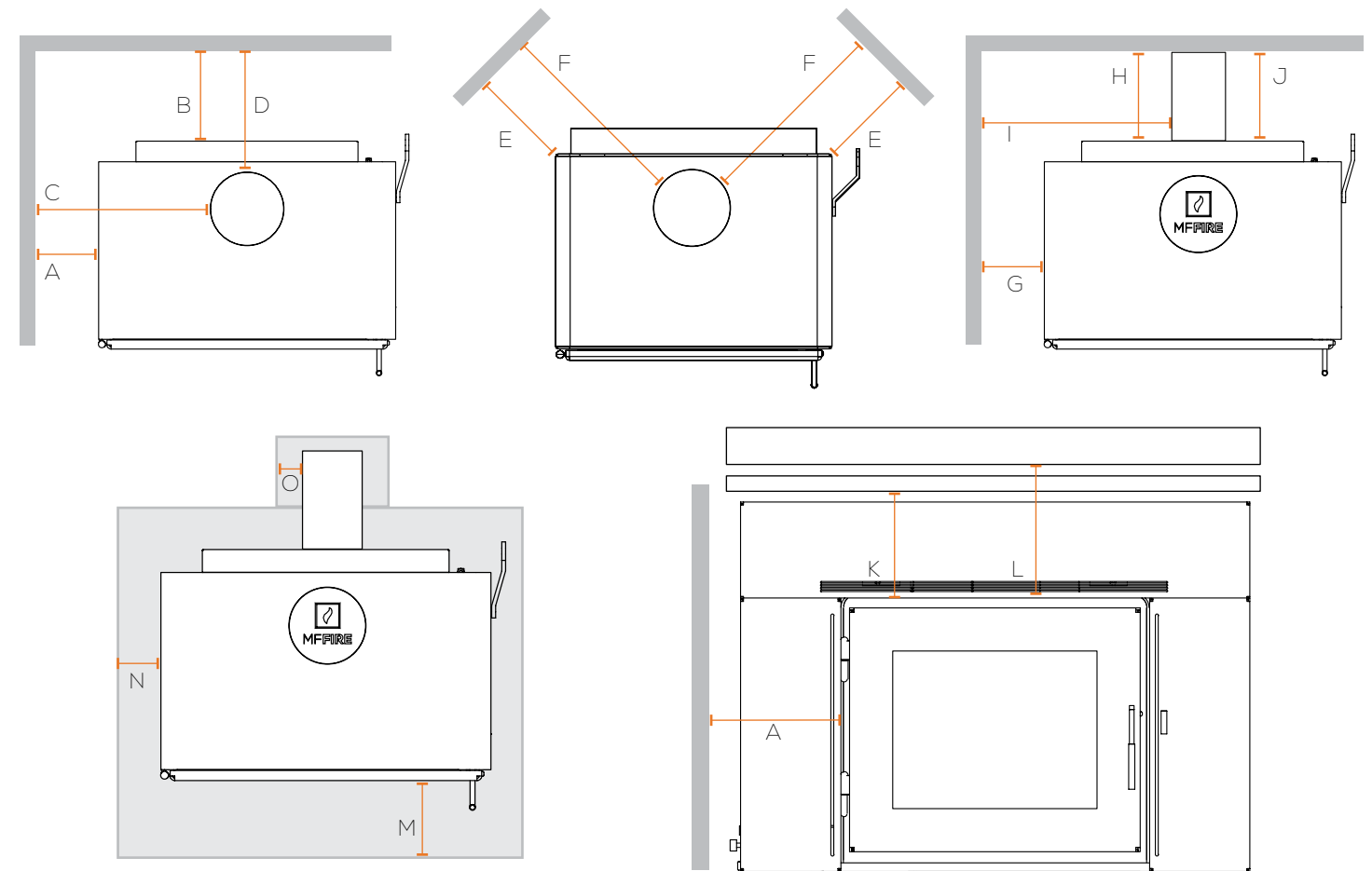
Height with 3" legs	26.5"
Width (w/o bypass)	27"
Width (w/ bypass)	27.83"
Depth w/ 4" ash lip	22"
Depth w/o 4" ash lip	18.5"
Side to center of flue collar	13.5"
Height to center rear flue collar	21.5"
Back to center top flue collar	6.25"

## NOVA 2 TOWER

Height with tower	45.5"
Width (w/o bypass)	27"
Width (w/ bypass)	27.83"
Depth	18.5"
Side to center of flue collar	13.5"
Height to center rear flue collar	40.5"
Back to center top flue collar	6.25"

## NOVA 2 INSERT

Surround height	32"
Surround width	44"
Minimum fireplace width	33"
Minimum fireplace height	28"
Minimum fireplace depth	16"
Back to center top flue collar	4.25"



## MINIMUM CLEARANCE REQUIREMENTS

		Single Wall Connector Pipe	Double Wall Connector Pipe	Double Wall Connector Pipe with Reduced Clearance Kit
A	Sidewall to unit	22" (559 mm)	20" (508 mm)	22" (508 mm)
B	Backwall to unit	20" (508 mm)	14" (356 mm)	9" (228 mm)
C	Sidewall to connector	31" (787 mm)	29" (736 mm)	31" (787 mm)
D	Backwall to connector	23" (584 mm)	17" (432 mm)	12.5" (318 mm)
E	Corner to unit	14" (356 mm)	9" (229 mm)	9" (229 mm)
F	Corner to connector	23" (585 mm)	18" (457 mm)	18" (457 mm)
G	Sidewall to unit	22" (559 mm)		
H	Backwall to unit	16" (406 mm)		
I	Sidewall to connector	31" (787 mm)		
J	Backwall to connector	16" (406 mm)		
K	Top of unit to ¾" trim	10" (254 mm)		
L	Top of unit to 10" mantel	14" (356 mm)		
<b>Floor Protection</b>				
M	Front	16" US/18" CAN		
N	Side	8" (203 mm)		
O	Chimney Connector	2" (51 mm)		

## FLOOR PROTECTION REQUIREMENTS

Leg Height	With Ash Lip	Without Ash Lip
3"	R = 1.35	R = 2.0
6"	Type 1	R = 1.35
9"	Type 1	Type 1
Tower	Type 1	Type 1





**MFFire.com**

# MF FIRE

Here at MF Fire, we take a different approach when creating wood stoves. We started MF Fire to deliver the best wood heat, while using innovation to eliminate the undesirable aspects of wood stoves. We leverage our patented technologies, intelligent design, and state of the art fire science to build stoves with high efficiency and low emissions, while providing users with a simple, easy-to-use experience.

We love wood heat, but wood stoves haven't changed much in decades. In modern times, there is no reason a wood stove should be polluting, inefficient or difficult to use.

With designs that fit any home, whether a cabin, chalet, farm house, or modern home, our timeless and contemporary wood stoves deliver beautiful aesthetics to fit any taste.

You only purchase a wood stove once every 10-20 years and deserve an attractive stove that you enjoy looking at, while having it deliver all your heating needs. We use only the finest quality materials and expert craftsmanship. Starting with welded steel, our wood stoves employ large glass viewing windows and a friendly user experience that delivers endless hours of wood heat enjoyment. We produce wood stoves unlike any others in North America that range from sleek and modern to sophisticated and high tech.

Wood is a sustainable and renewable source of fuel and heat that should be responsibly utilized to create clean energy. We are committed to creating and producing wood stoves that meet the demands of modern living.