

Komfort Zone Kit #KZK-038

For use with Bellingham 38 (#BHM-38), and Nordik 41 DV (#NDK-41-DV)

READ ALL THESE STEPS BEFORE STARTING INSTALLATION. LEAVE THESE INSTRUCTIONS WITH THE APPLIANCE.

This kit must be installed by a qualified installer, service agency, or gas supplier at the time of the heater installation.

These instructions must be used in conjunction with the installation and operation manual provided with the appliance.

Please read all appliance owner's manual completely before performing any procedures in these instructions.



English and French installation manuals are available through your local dealer. Visit our website www.kozyheat.com.

Les manuels d'installation en français et en anglais sont disponibles chez votre détaillant local. Visitez www.kozyheat.com.

1.0 Introduction	3
1.1 Kit Contents	3
1.2 Suggest Configurations	4
1.3 Dimensions and Overview	6
1.4 Air Duct Run.....	7
2.0 Framing and Clearances	8
2.1 Clearance to Sprinkler	8
2.2 Framing.....	9
3.0 Facing and Finishing	12
3.1 Non-combustible Requirements	13
3.2 Finish Requirements	15
3.3 Hearth and Mantel Clearances.....	18
4.0 Fireplace Preparation & Installation	20
4.1 Bellingham 38	20
4.2 Nordik 41 DV.....	22

INSTALLER: Leave this manual with the appliance.
CONSUMER: Retain this manual for future reference.

IMPORTANT: Failure to read and follow these instructions may create a possible hazard and will void the fireplace warranty.

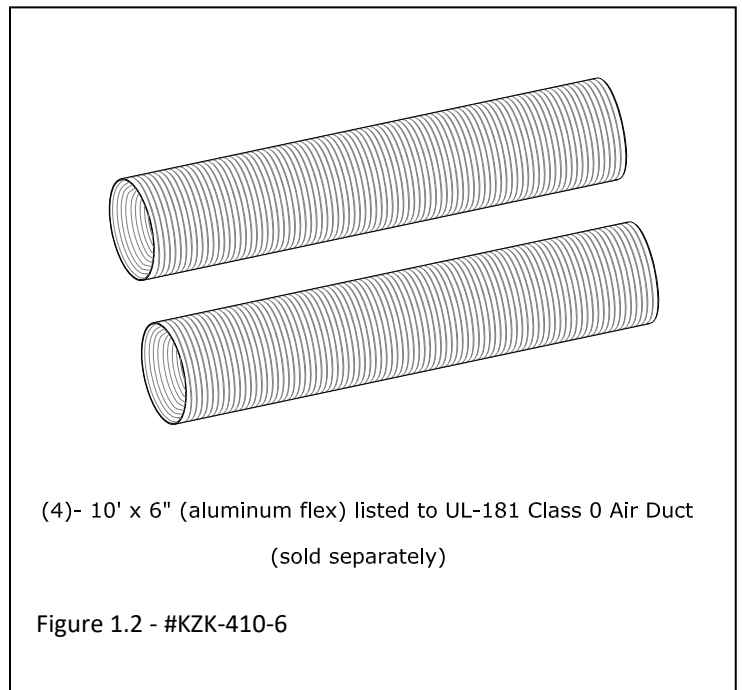
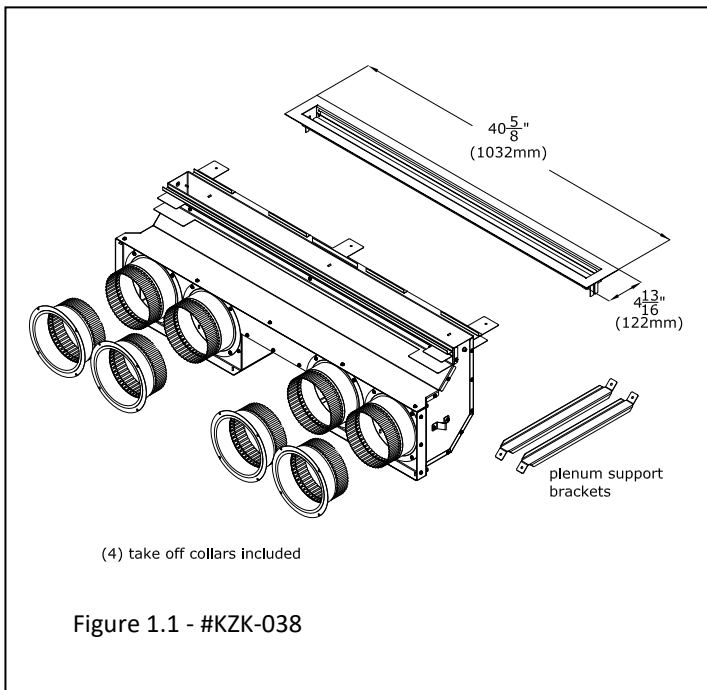
This optional convection duct kit redistributes the warm air flow away from the fireplace opening to a more desirable location using natural convection without the use of a fan. The warm air flow may be relocated to a position higher up the wall, out the sidewalls, or even to an adjacent room. The result is much cooler wall temperatures above the fireplace opening for locating televisions, artwork, etc.

1.0 Introduction

1.1 Kit Contents

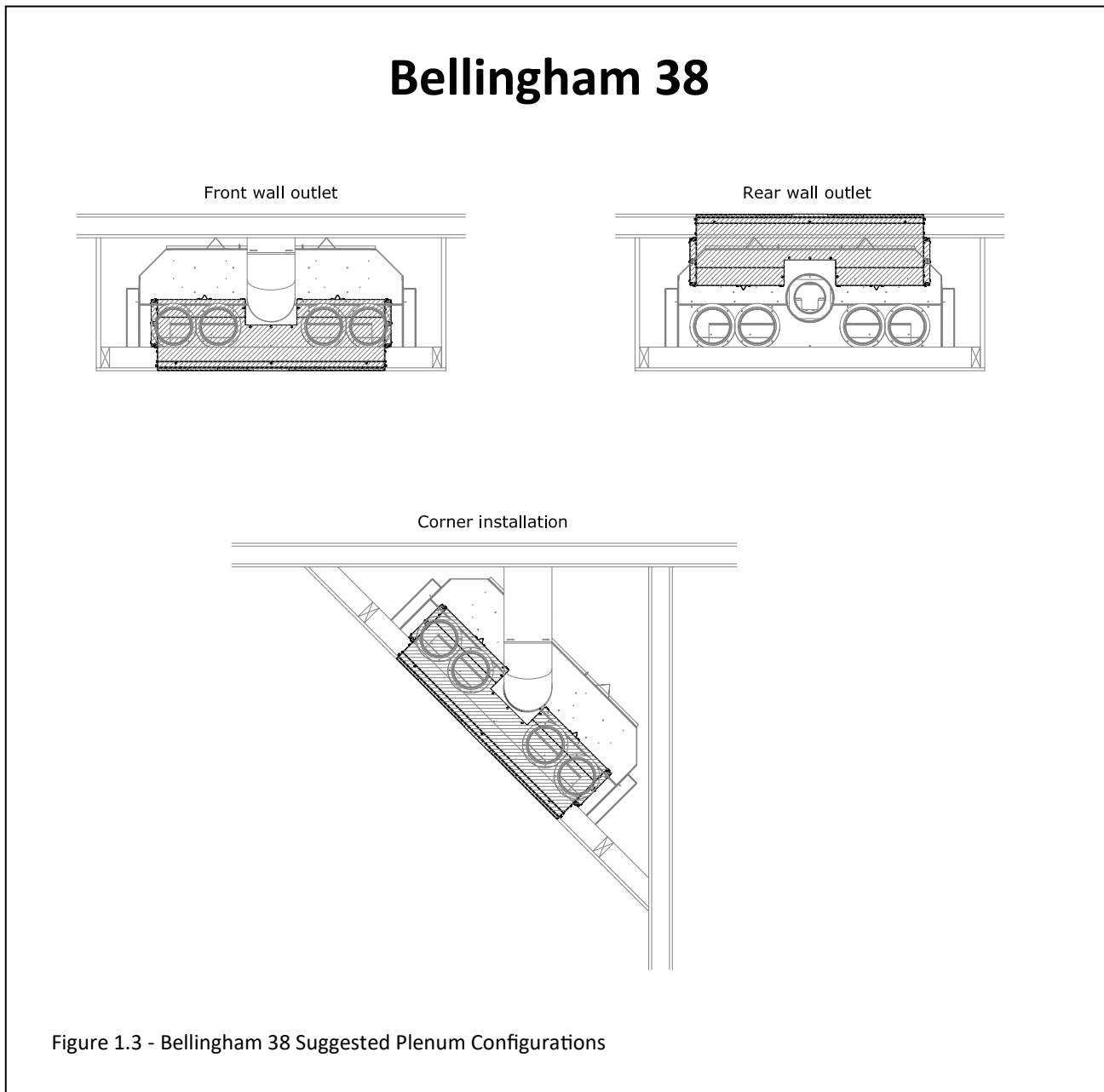
ALL kit contents must be installed.

- (1) 40" plenum kit: KZK-038
- (1) plenum discharge trim: KZK-038DT
- (2) plenum support brackets
- (8) 6" collars - (4) to attach to the bottom of the plenum; (4) to attach to the unit where the cover plates are removed.
- (1) KZK-410-6 (sold separately) is used for a 10' vent run. If you are mounting the plenum above the fireplace 10' (3m) or less, use (1) KZK-410-6 kit.
- KZK-CPL6 (sold separately) is (6) 6" couplers that connect (2) KZK-410-6. You will only need (4) 6" couplers for installation. If you are mounting the plenum above the fireplace between 10' to 20', you will need (2) KZK-410-6 kit and (1) #KZK-CPL6 coupler kit.



1.2 Suggested Configurations

- When installing the #KZK-038, take in consideration the fireplace venting and the plenum tube configuration.
- The #KZK-038 plenum can be installed so it discharges heat into either the room the Bellingham 38 is installed or an adjacent in-door room behind the appliance.
- The “Rear Wall Outlet” allows the air discharge of the plenum to go into a separate room.



- The #KZK-038 plenum can only discharge into the same room that the Nordik 41 DV is installed.
- Figure 1.5 shows two common configurations.
- The plenum discharge must be placed in the same room as the appliance.

Nordik 41 DV

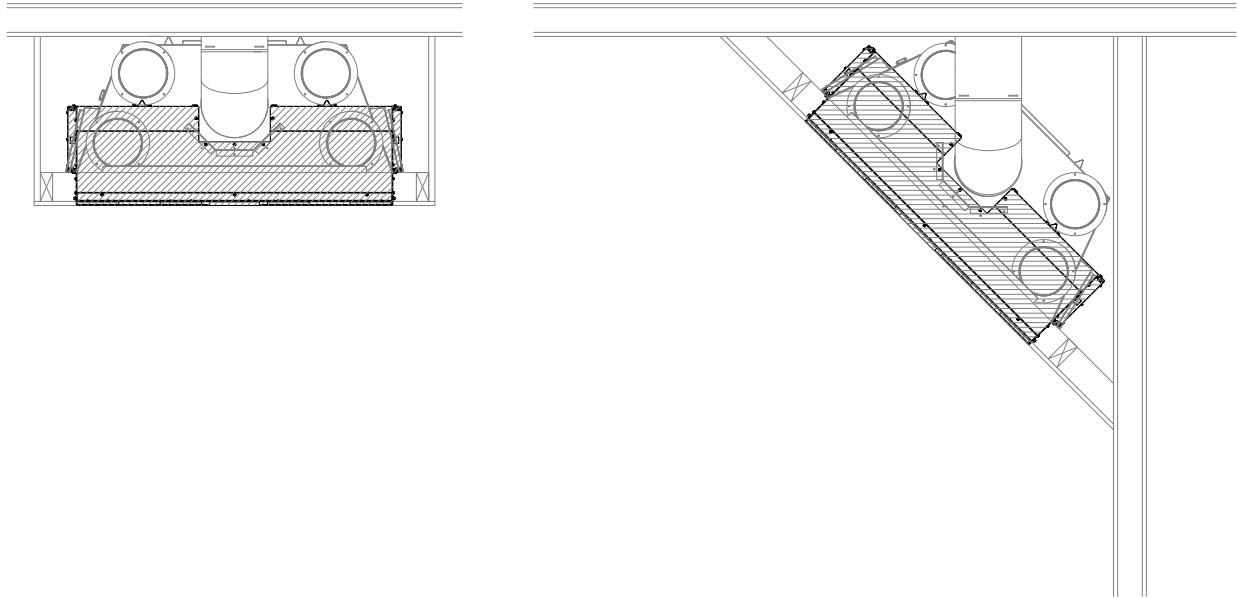


Figure 1.4 - Nordik 41 DV Suggested Plenum Configuration

1.3 Dimensions and Overview

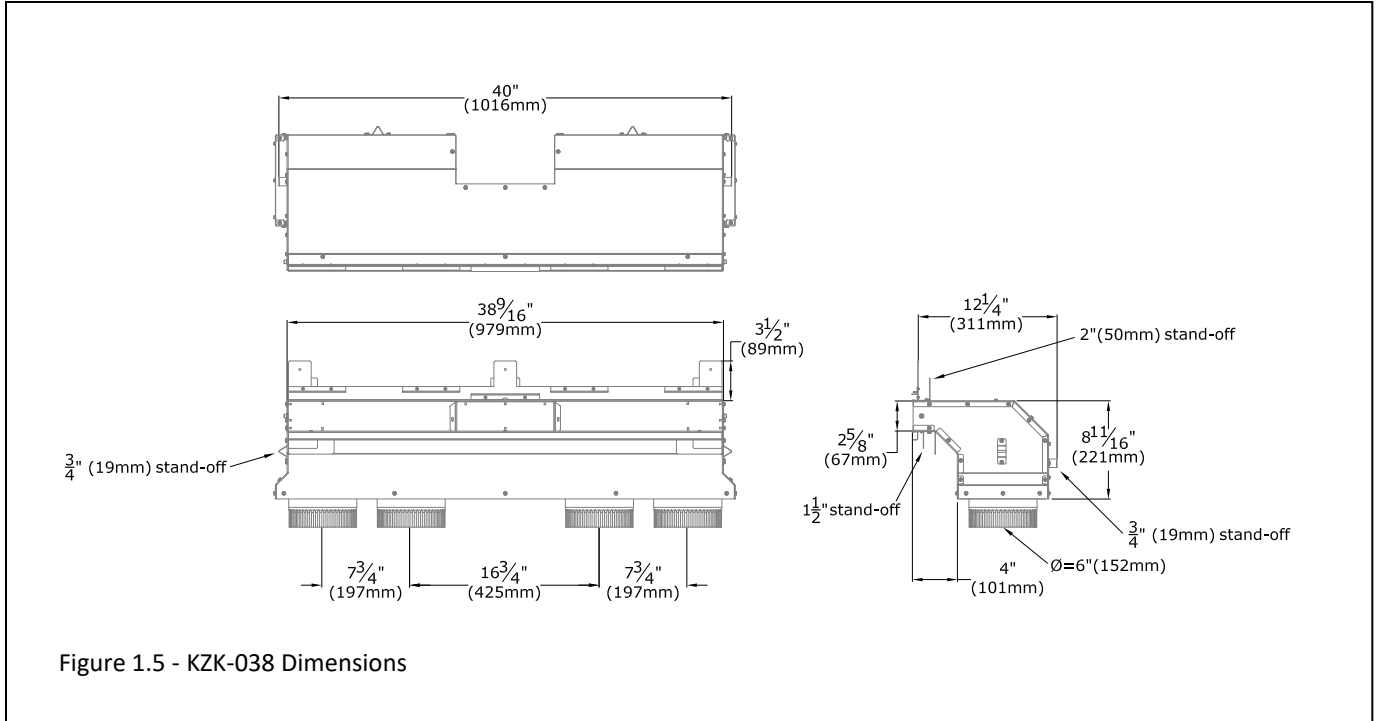


Figure 1.5 - KZK-038 Dimensions

1.4 Air Duct Run

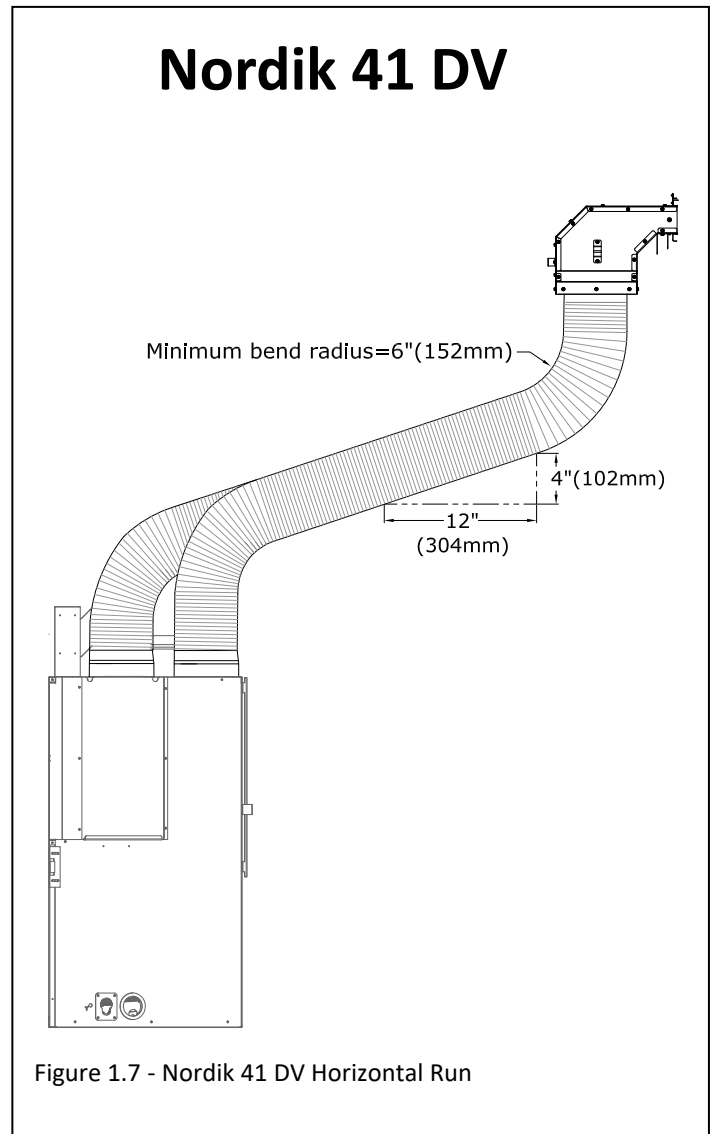
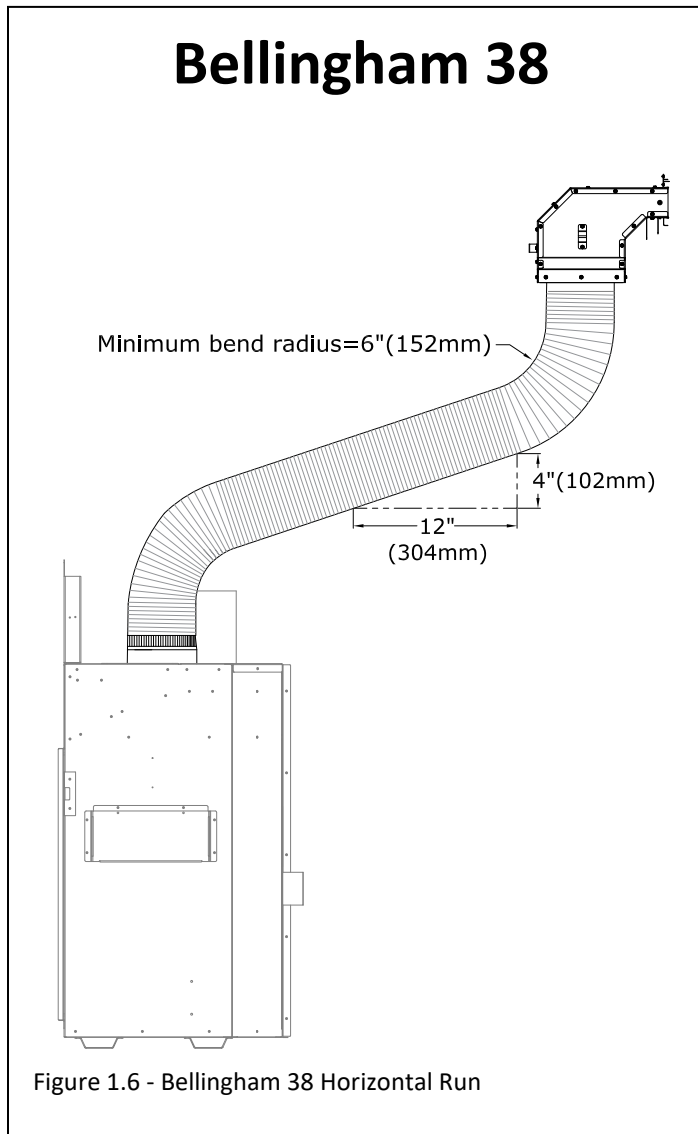
IMPORTANT: The air duct pipe cannot run horizontally without a vertical rise.

IMPORTANT: The 1/2" clearance around the air duct pipes must be maintained.

Use #KZK-410-6 UL181 Class 0 Air Duct piping to connect the plenum(s) to the unit.

Hussong Mfg. Co., Inc. requires pipes to be listed as UL181 Class 0 Air Duct to connect the plenum(s) to the unit.

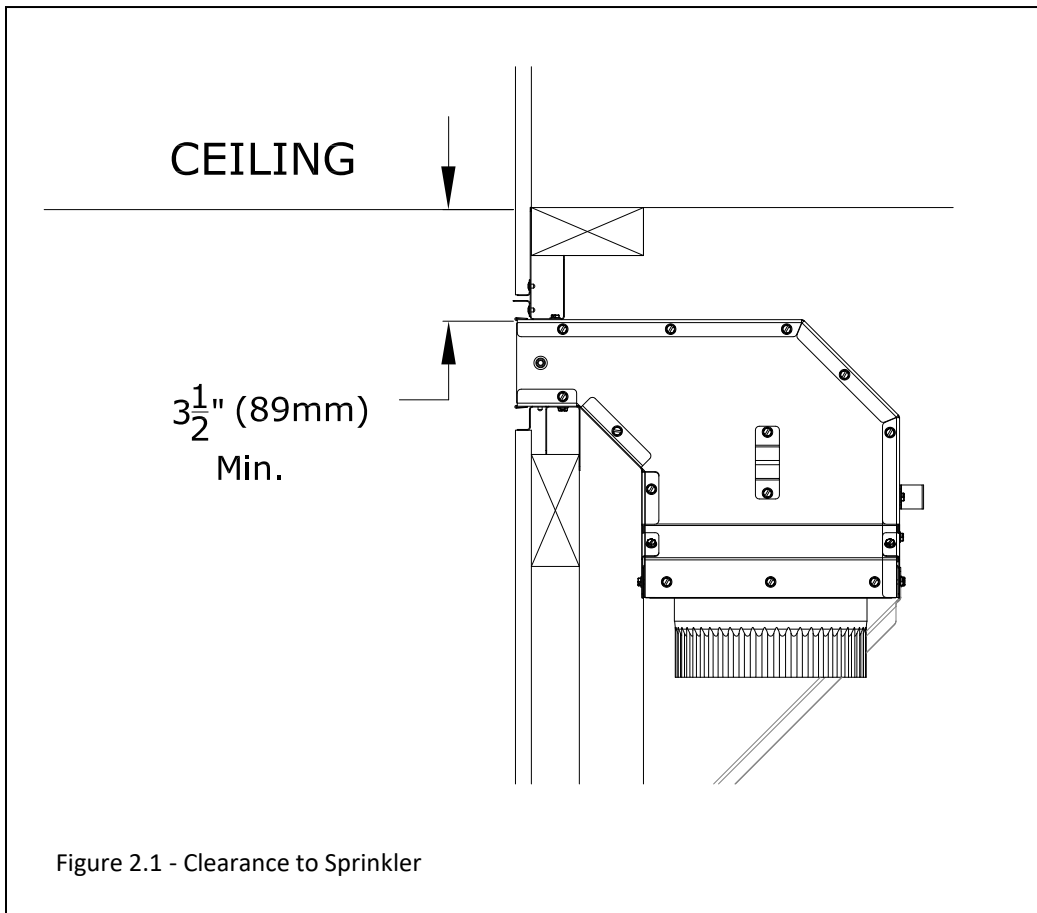
Maximum Vent Run: 20' (6m)



2.0 Framing and Clearances

2.1 Clearance to Sprinkler

- In a situation where a sprinkler head is installed within the proximity to a #KZK discharge opening, the diagram below MUST be followed.
- The distance between a sprinkler head and discharge opening cannot be less than 60" (1524mm) in length at every point from the origin of the discharge opening. You must also verify the sprinkler head sensor is set to the proper heat setting so it does not activate when the room heats up from the fireplace being operated normally.
- Please follow local building codes to determine what temperature setting is relevant for your installation.



2.2 Framing

Shown in this section are the rough opening dimensions and clearances for the plenum, unit installation, and unit installation with a TV recess construction.

Rough opening framing dimensions should allow for wall covering thickness and facing materials. Please refer to Section 3.0 on page 12 for specific facing and finishing options.

Figure 2.3 & 2.4 show the minimum height of plenum framing from the base of that specific fireplace.

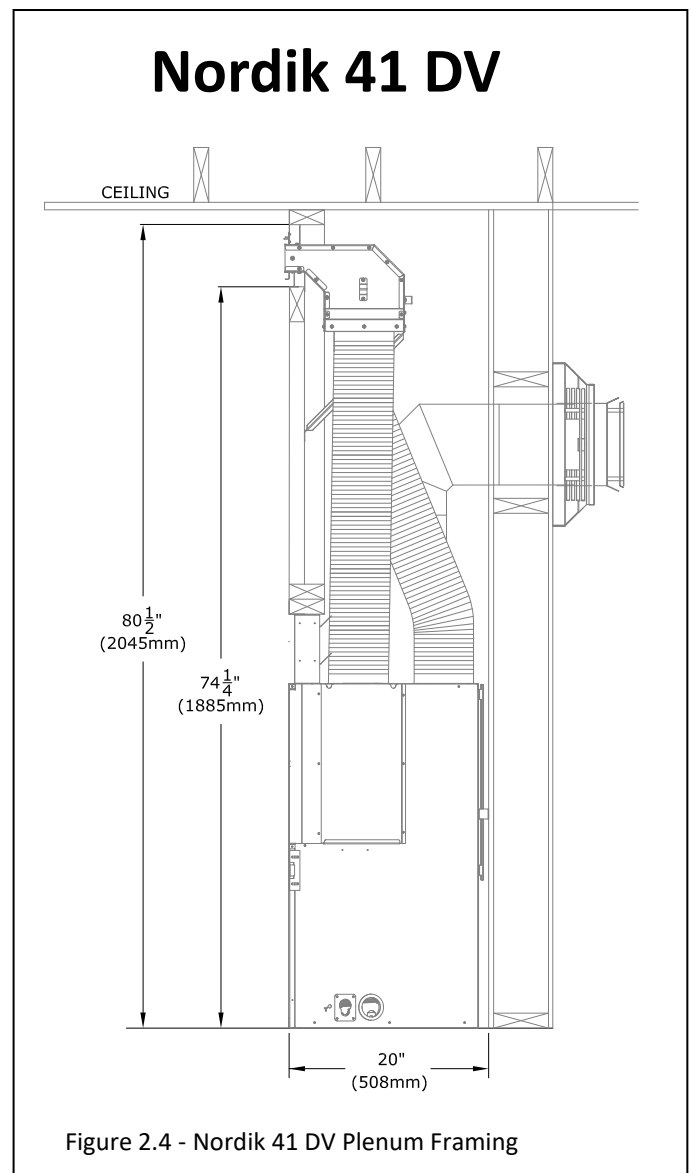
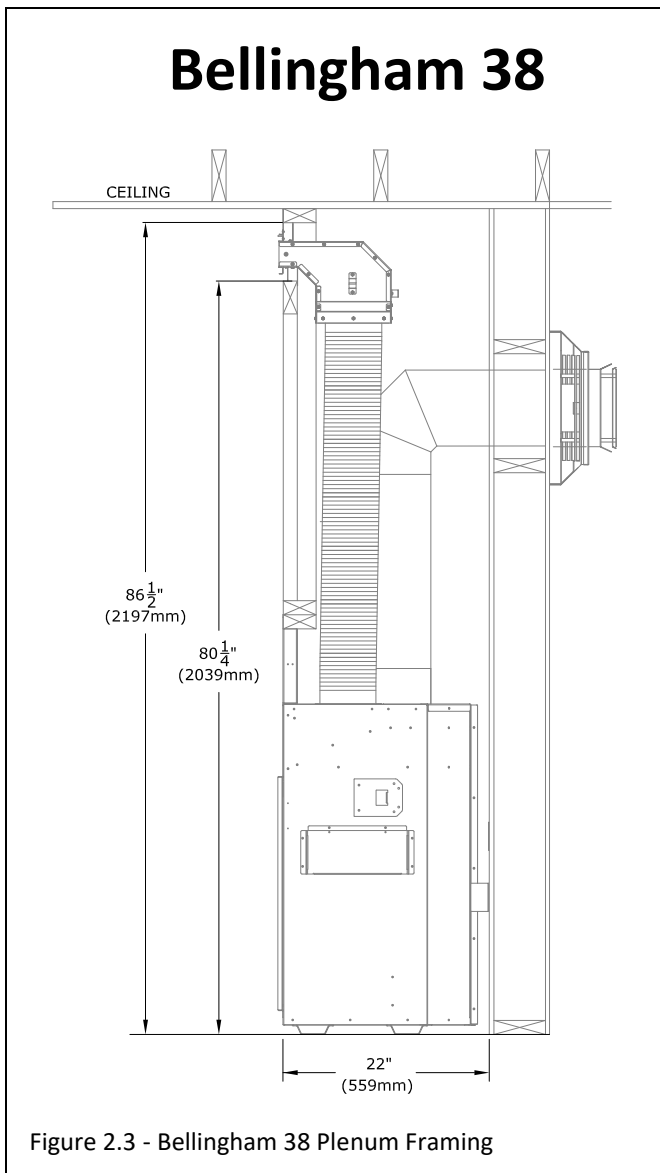
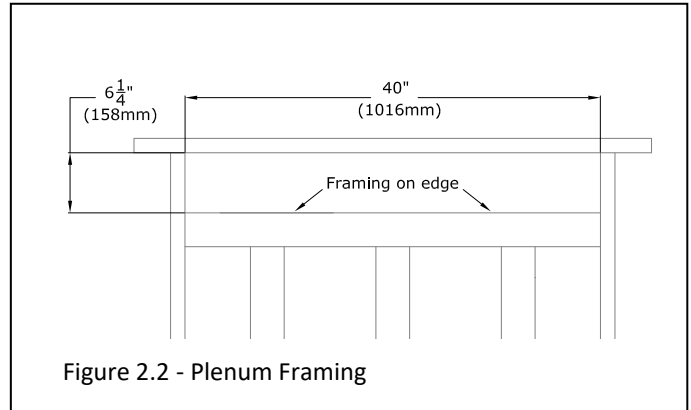


Figure 2.5 shows the minimum clearance between the top of the plenum opening and the ceiling. This applies to all models.

Figure 2.6 shows the minimum height of plenum framing from the top finishing edge of the fireplace. This applies to the Bellingham 38.

Figure 2.7 shows the minimum height of plenum framing from the top of the fireplace. This applies to the Nordik 41 DV.

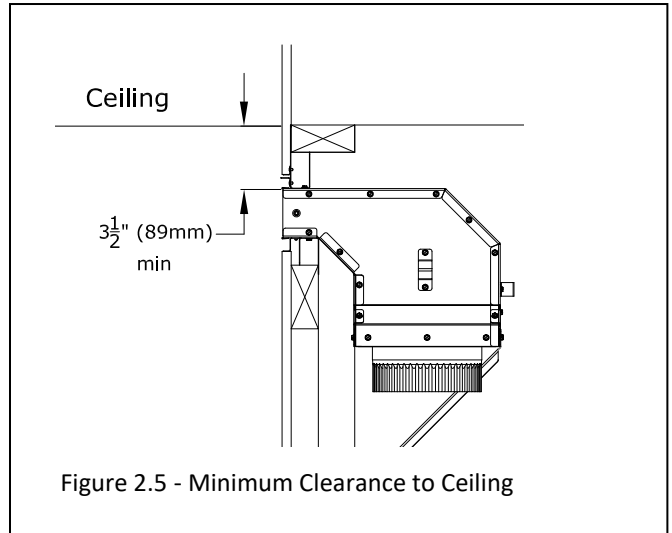


Figure 2.5 - Minimum Clearance to Ceiling

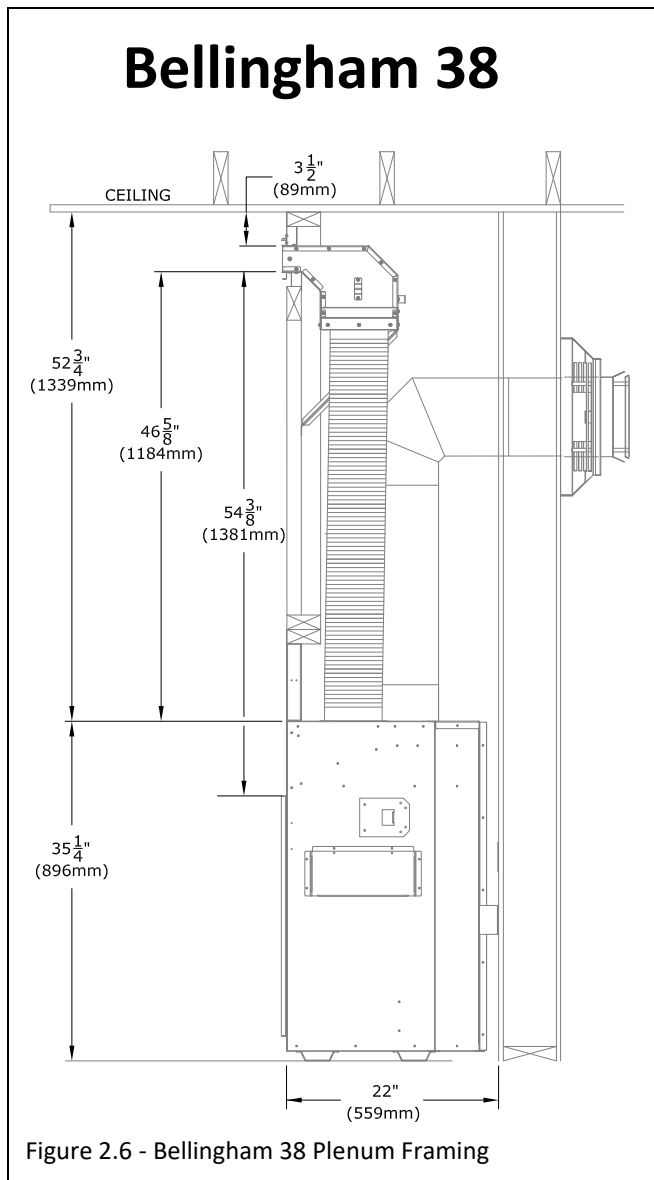


Figure 2.6 - Bellingham 38 Plenum Framing

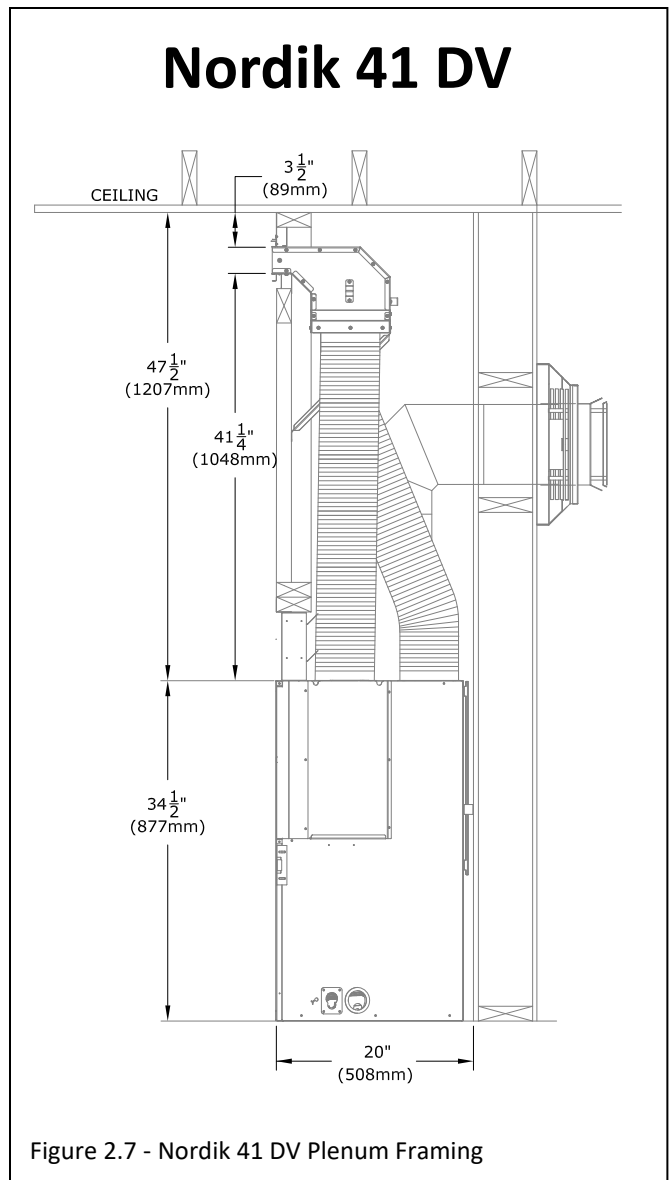


Figure 2.7 - Nordik 41 DV Plenum Framing

Bellingham 38

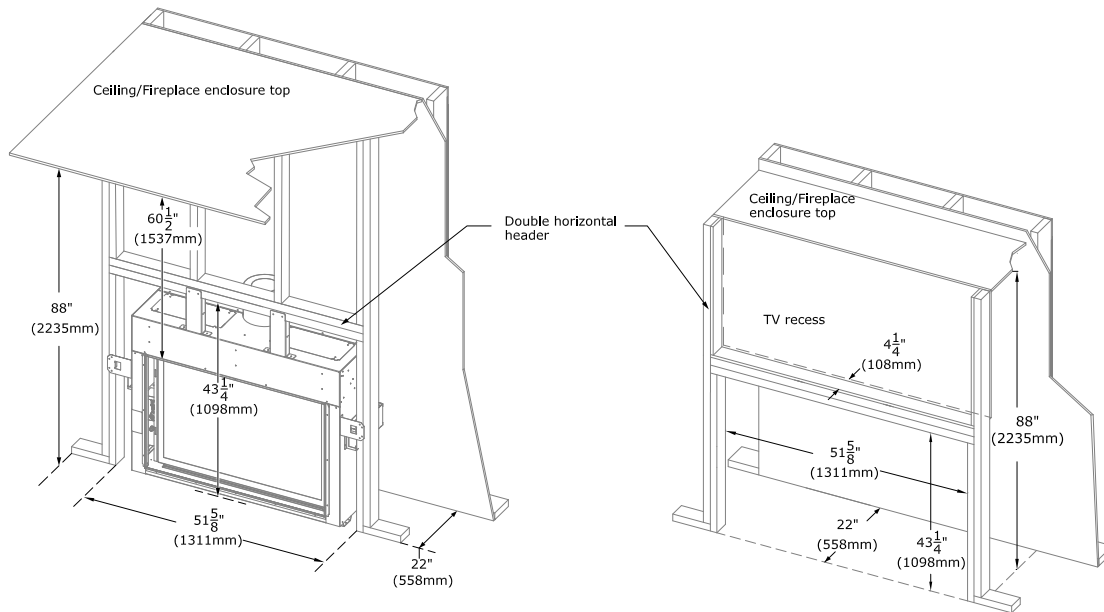


Figure 2.8 - Bellingham 38 Wall Enclosure Rough Opening

Nordik 41 DV

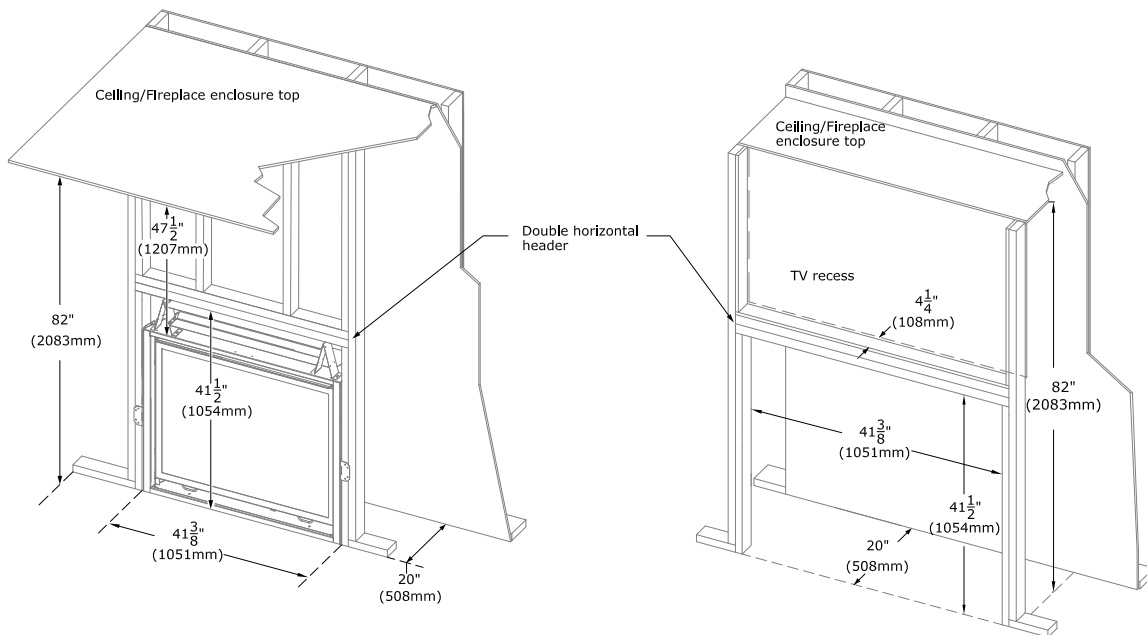


Figure 2.9 - Nordik 41 DV Wall Enclosure Rough Opening

3.0 Facing and Finishing

See below for some fireplace specific finishing material information:

Bellingham 38

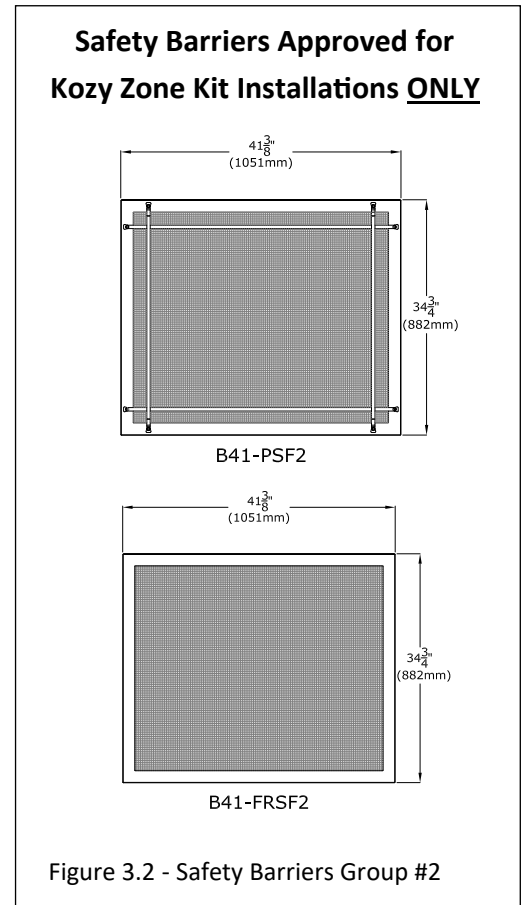
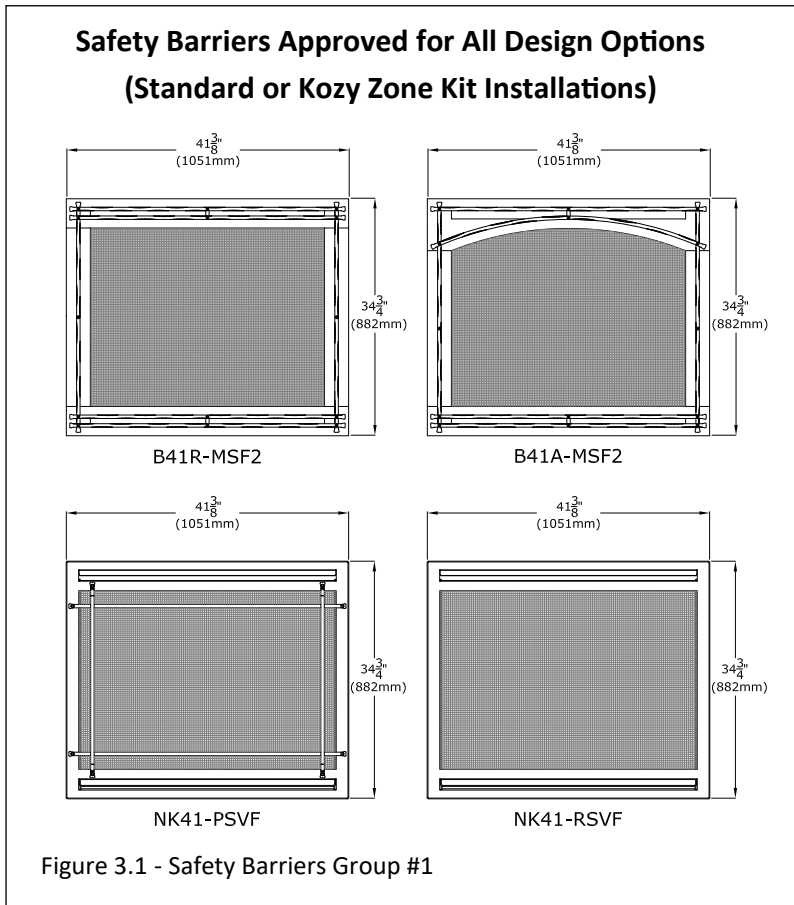
The Bellingham 38 are equipped only with a safety screen that fits inside the finishing edge. Finishing material, mantel projections, and hearth projections may butt up against the finishing edge.

- If you are purchasing the optional rectangle surround (Part #BH38-RS) finishing material up to 1-1/4" in total thickness can continue to be finished up to the fireplace finishing edge and the optional surround can be installed over the top of the finishing material. These optional surrounds have a slotted bracket to secure the surround to the fireplace that allow this installation over up to 1-1/4" thick finishing material.
- If you have combined thickness of finishing material over 1-1/4" we recommend butting the finishing material up against the finishing edge and not using the optional surround.
- The optional surround must be able to be removed for service work. Ensure the finishing material does not inhibit this.

Nordik 41 DV

The Nordik 41 DV is supplied with a "Finishing Trim Kit". It is highly recommended that this kit is installed and used with the fireplace. The finishing trim kit provides a finishing edge for material to butt up against while providing the necessary clearance for the safety screen barrier to be removed.

IMPORTANT: The B41-PSF2 and B41-FRSF2 (Figure 3.1) are **ONLY** approved for use when the Nordik 41 DV is installed with the #KZK-038. The other (4) safety barriers shown in Figure 3.2 are approved in all installation scenarios.



KZK Plenum

Section 3.2 will provide information about finishing material around the KZK plenum.

3.1 Non-Combustible Requirements

Bellingham 38

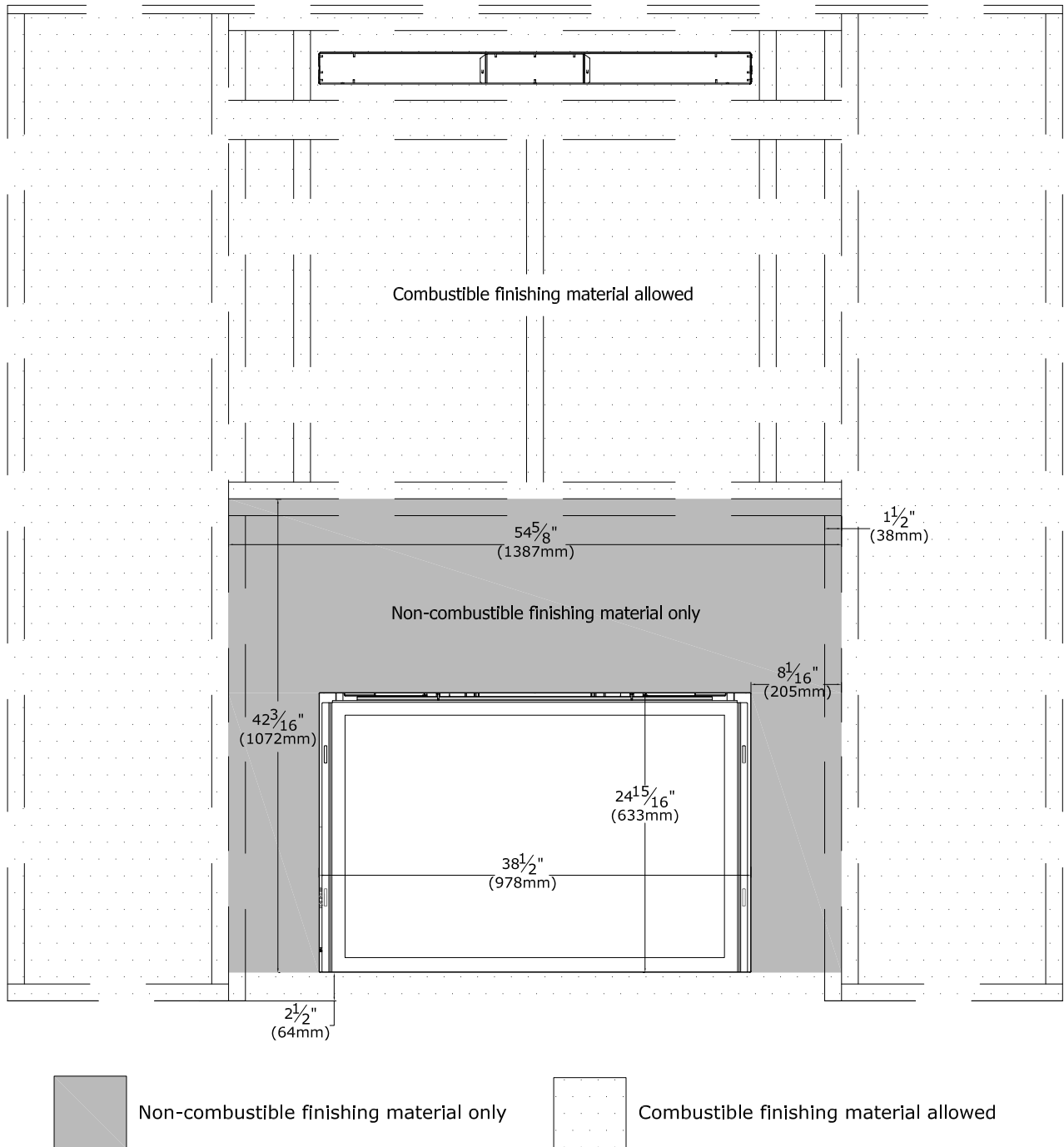
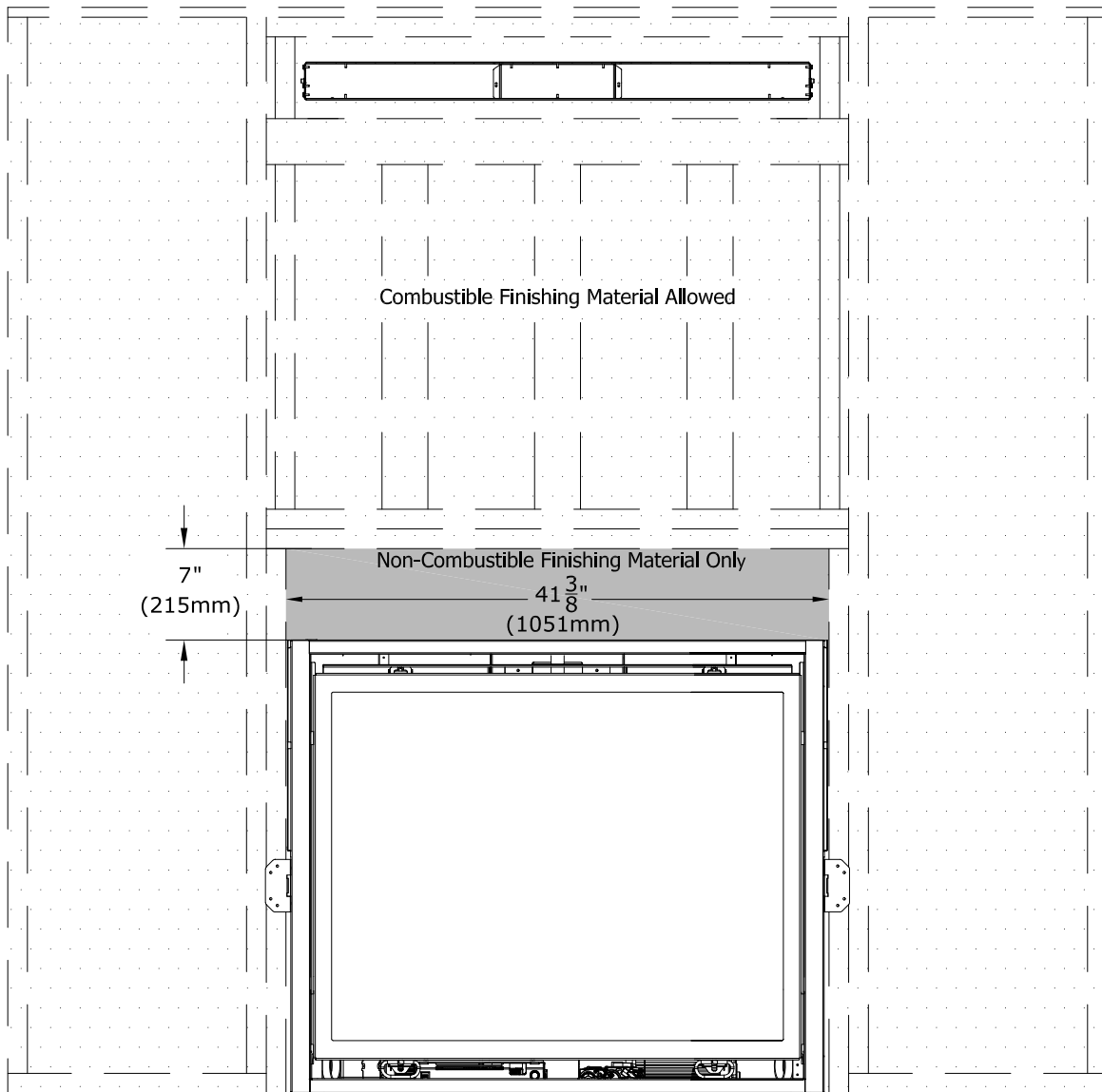


Figure 3.3 - Bellingham 38 Minimum Non-Combustible Finishing Dimensions

Nordik 41 DV



Non-combustible finishing material only



Combustible finishing material allowed

Figure 3.4 - Nordik 41 DV Minimum Non-Combustible Finishing Dimensions

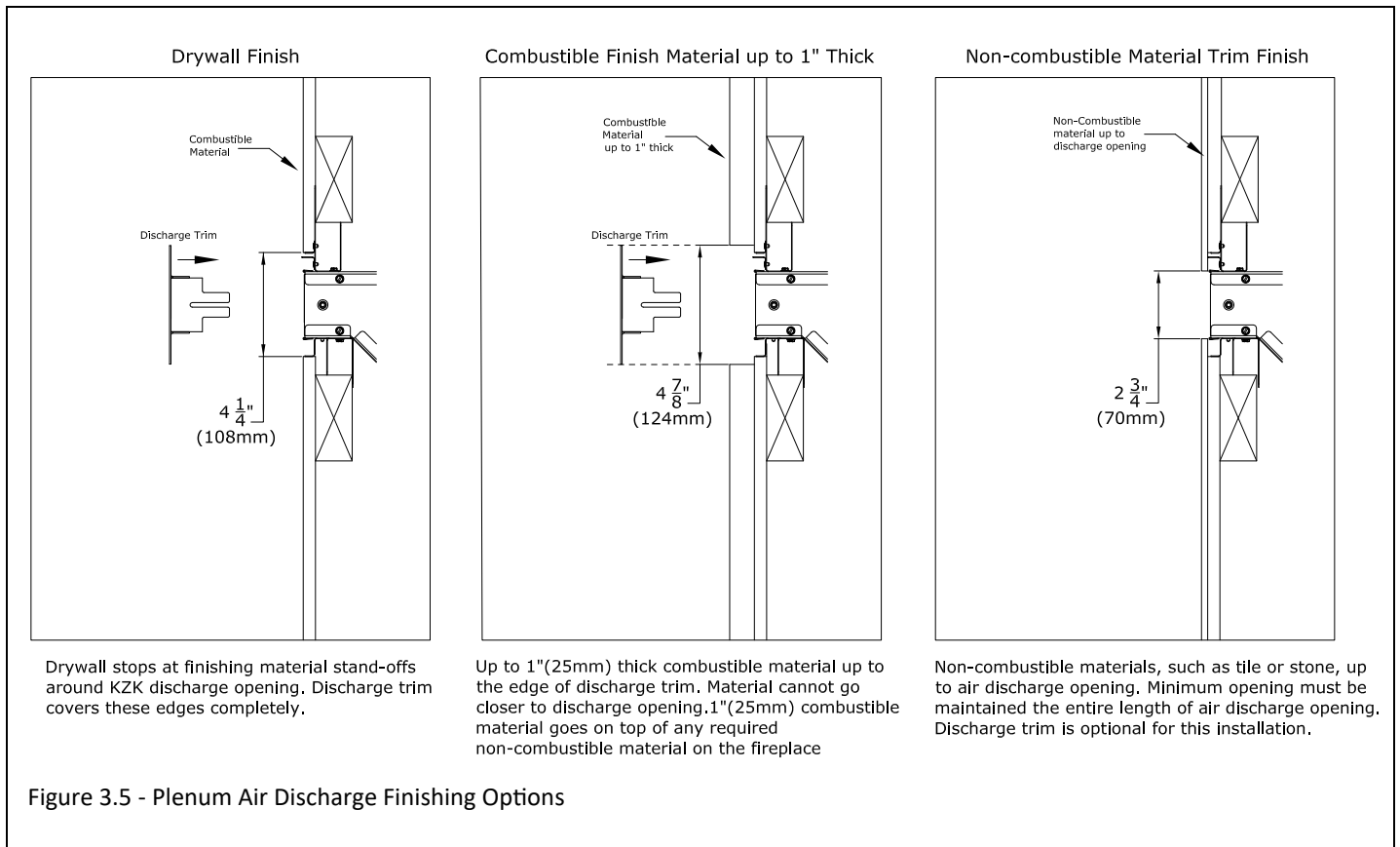
3.2 Finishing Requirements

3.2.1 Finishing Options - Plenum Air Discharge

Figure 3.5 applies to all fireplace models.

NOTE: It is not required to use the discharge trim (#KZK-038DT). You are allowed to run non-combustible finishing material up to the air discharge opening. See Figure 3.5 for finishing options. Finishing material must not block the opening and must be run evenly along the plenum opening.

WARNING! RISK OF OVERHEATING AND FIRE! Ensure the KZK duct system is installed in accordance to this manual



3.2.2 Combustible Wall Finish Requirements

- Figure 3.6 shows installation of combustible wall finish up to 1" thick for the Bellingham 38. This combustible material goes on top of any required non-combustible materials as required in Figure 3.3 on page 13.
- This 1" (25mm) combustible material is able to go down to the fireplace finishing edge.
- See Figure 3.5 on page 15 for up to 1" (25mm) thick combustible material installation around the KZK air discharge grille.

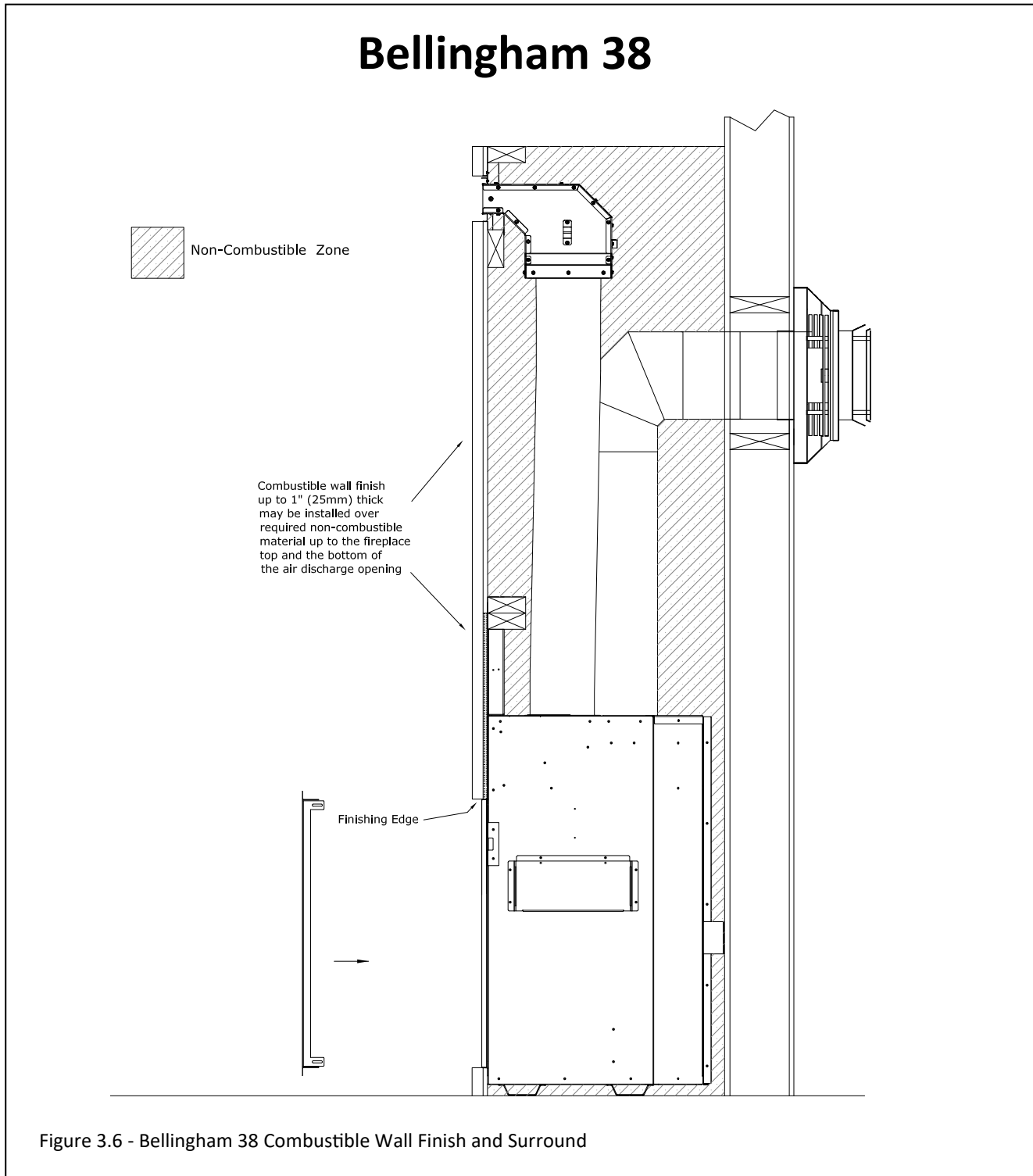
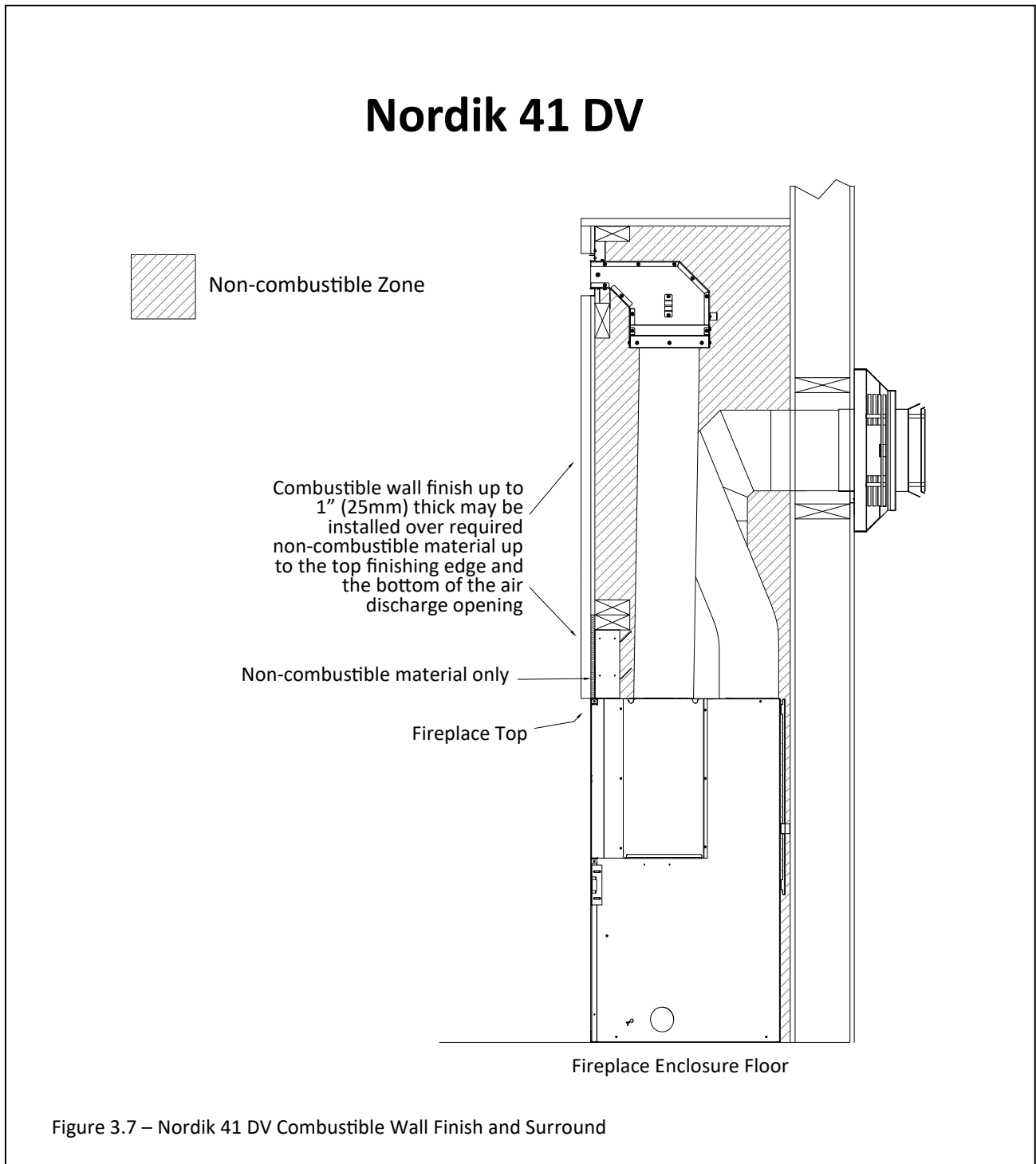


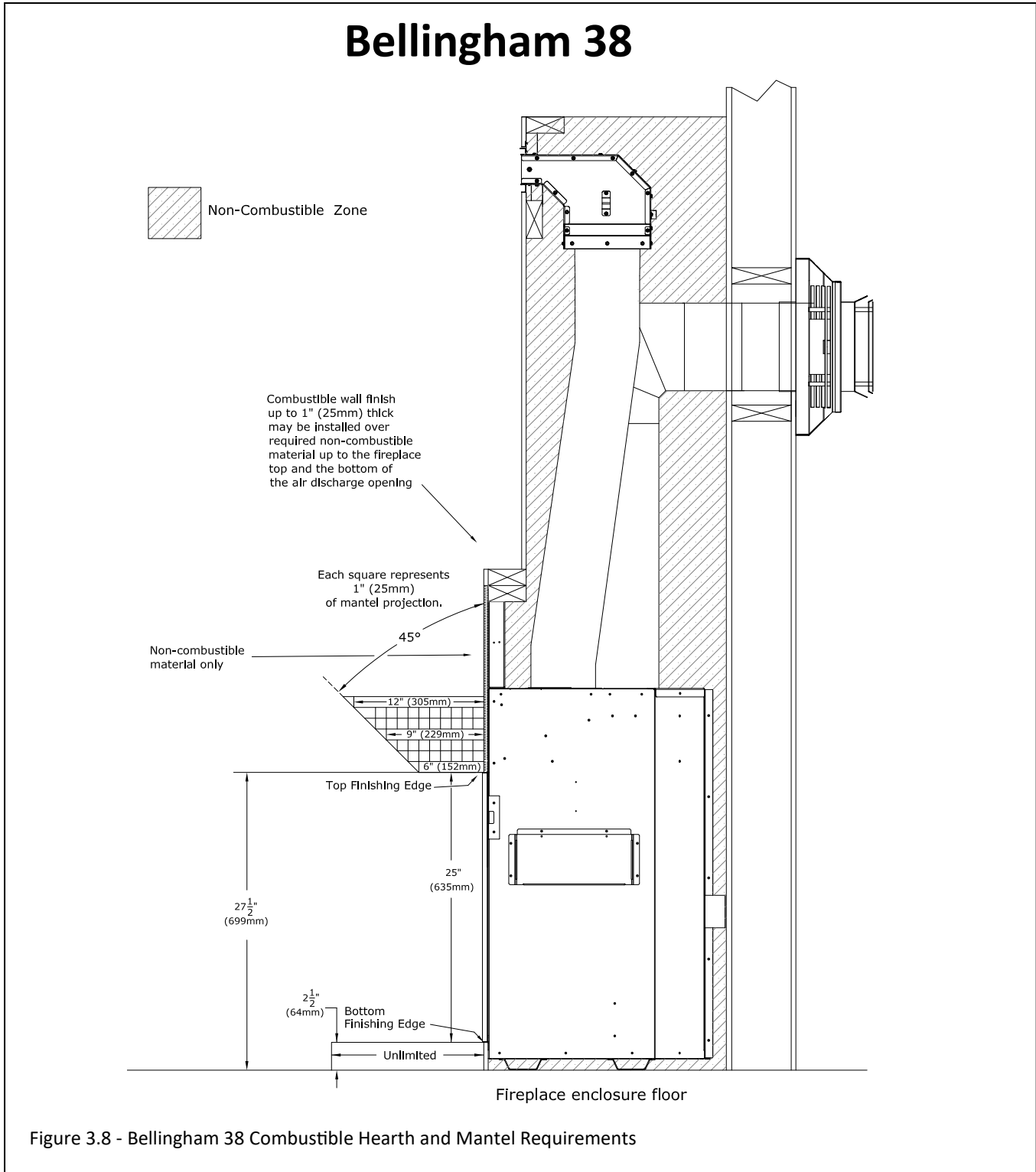
Figure 3.6 - Bellingham 38 Combustible Wall Finish and Surround

- Figure 3.7 shows installation of combustible wall finish up to 1" thick for the Nordik 41 DV. This combustible material goes on any required non-combustible materials as required in Figures 3.4 on page 14.
- This 1" (25mm) combustible material is able to go down to the fireplace finishing edge.
- See Figure 3.5 on page 15 for up to 1" (25mm) thick combustible material installation around the KZK air discharge grille.

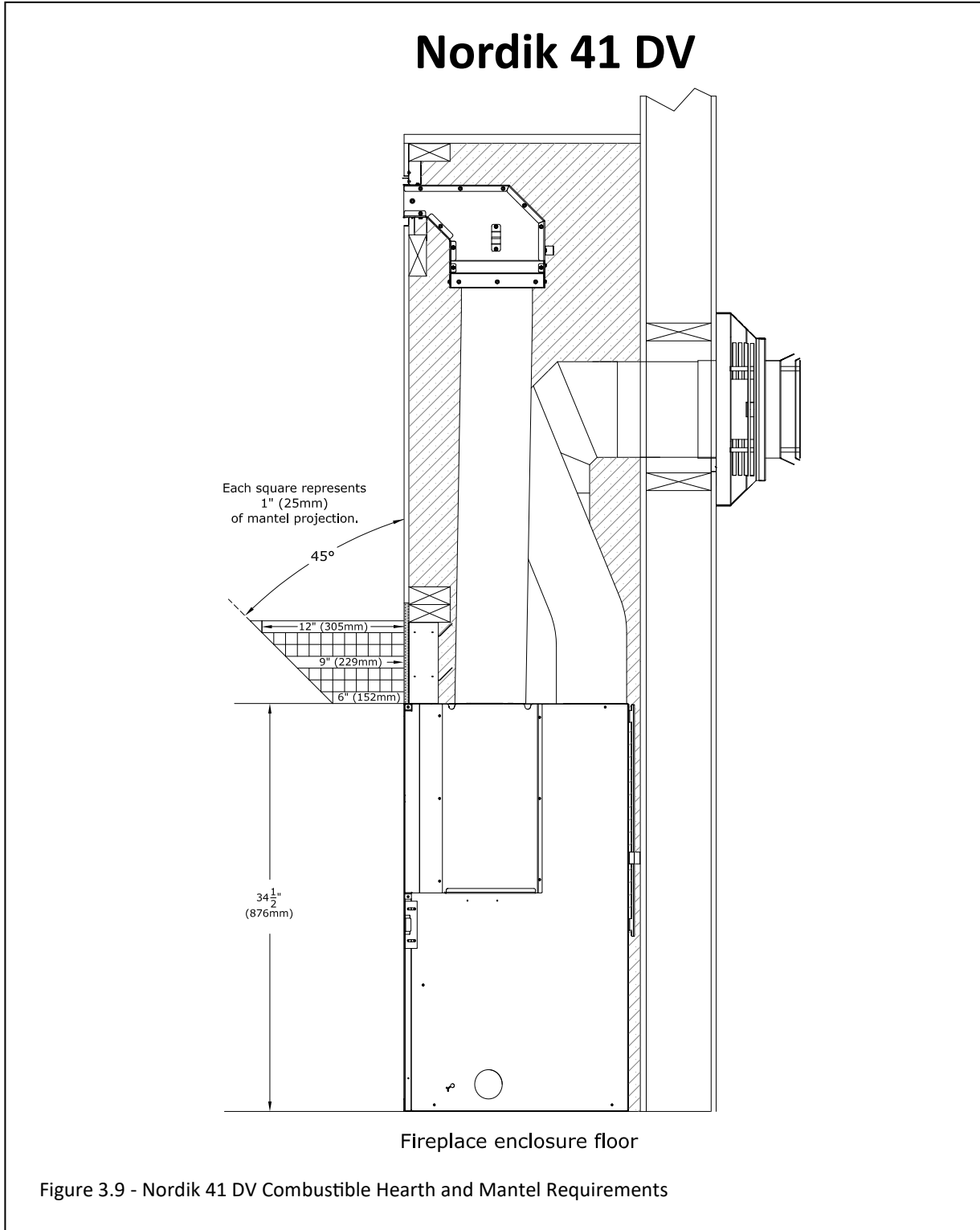


3.3 Hearth and Mantel Clearances

- The following drawings show the hearth and mantel clearances allowed for the Bellingham 38 and Nordik 41 DV.
- Figure 3.8 show the mantel and hearth projections for the Bellingham 38 allowed when using this KZK-038. The image below shows the mantel projection starting at the top fireplace finishing edge and the hearth projection starting at the bottom fireplace finishing edge.



- Figure 3.9 shows the mantel and hearth projections for the Nordik 41 DV allowed when using this KZK-038. The image below shows the mantel projection starting at the top fireplace finishing edge.
- Combustible flooring can run underneath this appliance which would then allow an unlimited combustibile hearth projection. The hearth projection cannot be elevated (vertically) past the base of the fireplace / enclosure floor.



4.0 Fireplace Preparation & Installation

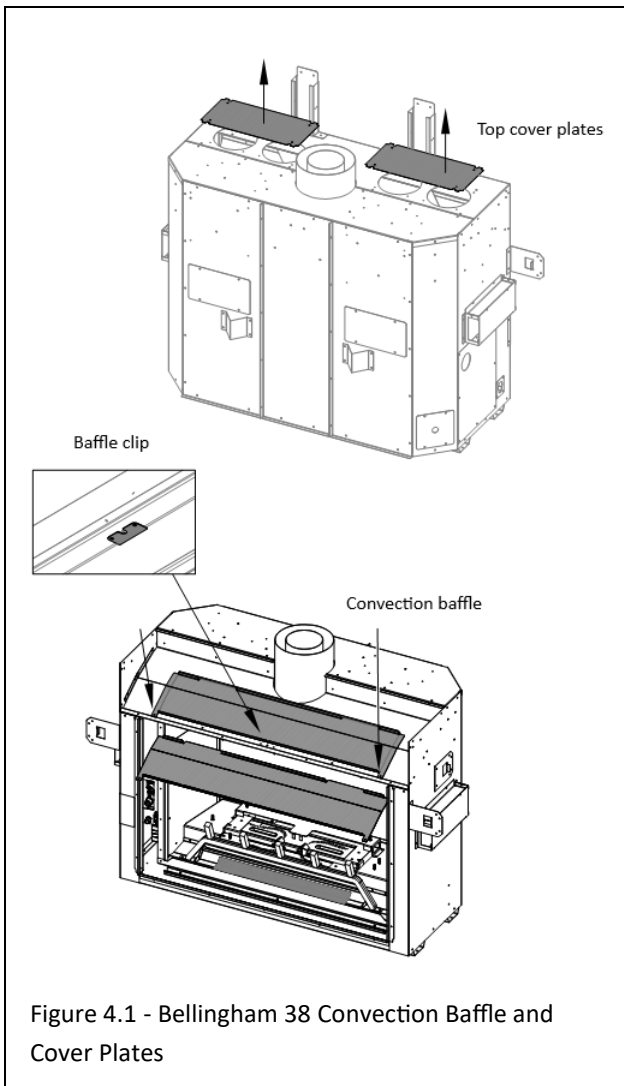
4.1 Bellingham 38

All contents in this kit are required and must be installed.

The Kozy Zone Kit requires that the convection baffle, located above the firebox inside the appliance metal cabinet, to be removed to allow the hot airflow to convect upwards into the air ducts installed on the fireplace. You will also remove the cover plates.

See additional requirements and installation information in the appliance manual.

1. Remove the convection baffle from the appliance. The baffle is secured by (4) screws right behind the upper edge of the fireplace opening. There is a small baffle clip in the center where you remove (2) screws and then the remaining (2) screws will involve (1) screw being on each side of the convection baffle. Recycle this panel as it is no longer needed. See Figure 4.1.
2. Remove (4) cover plates on top of the appliance (4 screws each).
3. Align the take off collars to the corresponding holes on top of the appliance. Secure with screws previously removed. Install the take off collars to the corresponding opening(s) on the plenum(s). Use supplied screws.



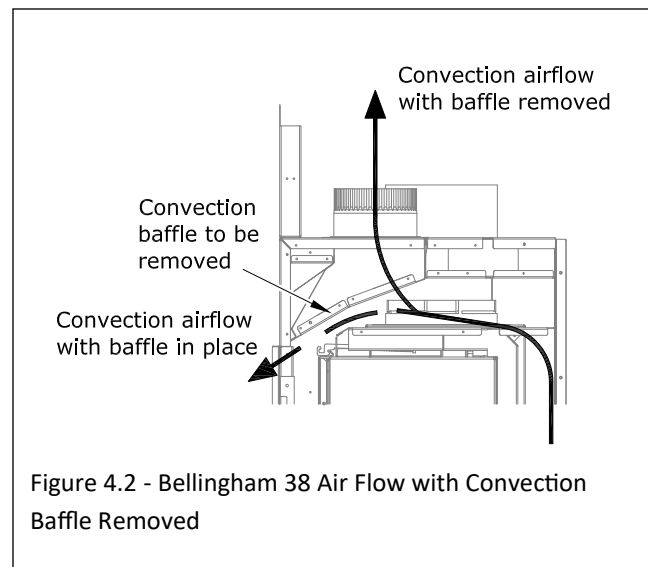
4. Frame the rough opening of the fireplace and KZK plenum. Refer to all pages of this KZK-038 manual and the Bellingham 38 manual. See previous pages of this manual for allowable plenum positions and rough frame opening sizes.
5. Install stand-off assembly on top of the appliance. See Figure 4.3. Locate the stand-off assembly and header heat shield on top of the fireplace, as shipped. Discard header heat shield. Attach the stand-off assembly pieces as shown below and secure with (4) screws.
6. Install the plenum(s) into the rough frame opening maintaining minimum clearances to combustibles as listed (see previous pages). Fix the plenum to the framing using nails or screw through the top mounting bracket.

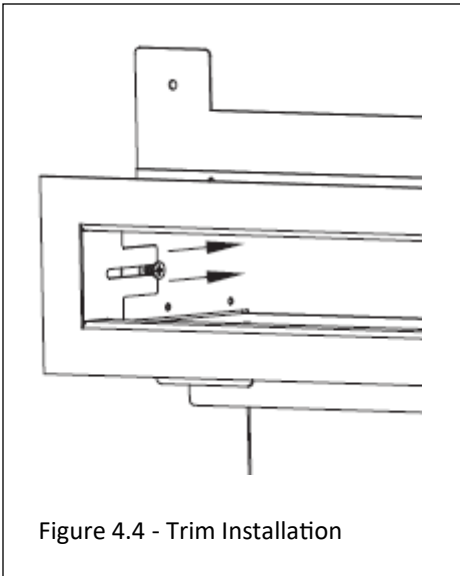
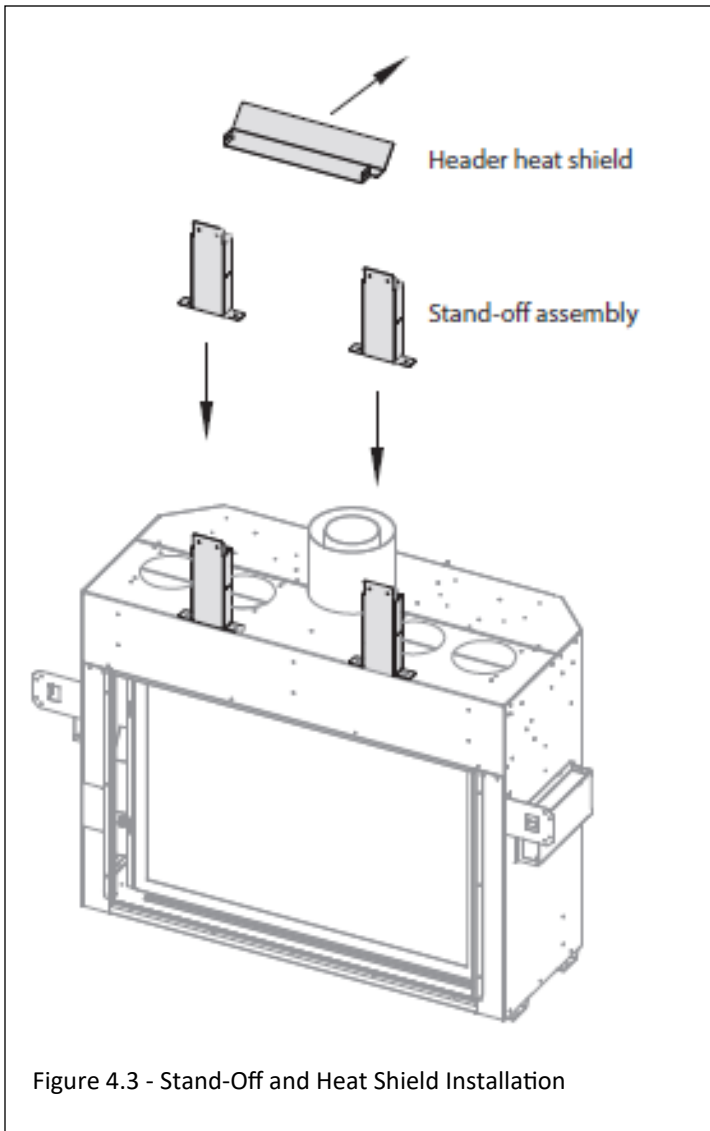
NOTE: Mounting brackets are not intended to carry the weight of the plenum and pipes. Provide support to the underside of the plenum and ensure the plenum is level and its outlet is not distorted.

7. Use metal strapping (all-around, not supplied) as required to further secure the plenum to framing.
8. Attach the piping from all (4) plenum vent collars to all (4) fireplace vent collars. If you are mounting the plenum 10' or less above the fireplace, use (1) #KZK-410 kit or UL-181 Class 0 approved air duct. If you are mounting the plenum between 10' to 20' above the fireplace then you will need (2) #KZK-410 kits and #KZK-CPL or UL-181 Class 0 approved air duct.
9. An upward slope must be maintained in horizontal sections of pipes for proper convection. Support horizontal sections every 24 inches.
10. Install the 15-3/8" x 7-3/4" air grilles provided with the kit using (2) screws.

If desired, the air grille may be painted. Use high temperature paint (250°F).

Continue with fireplace installation.





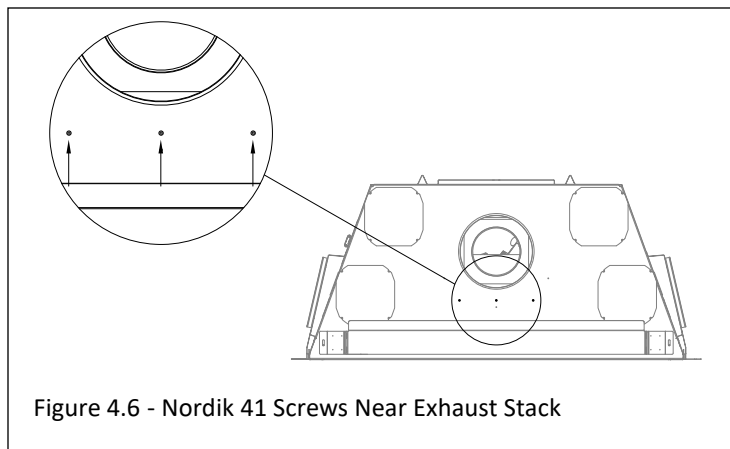
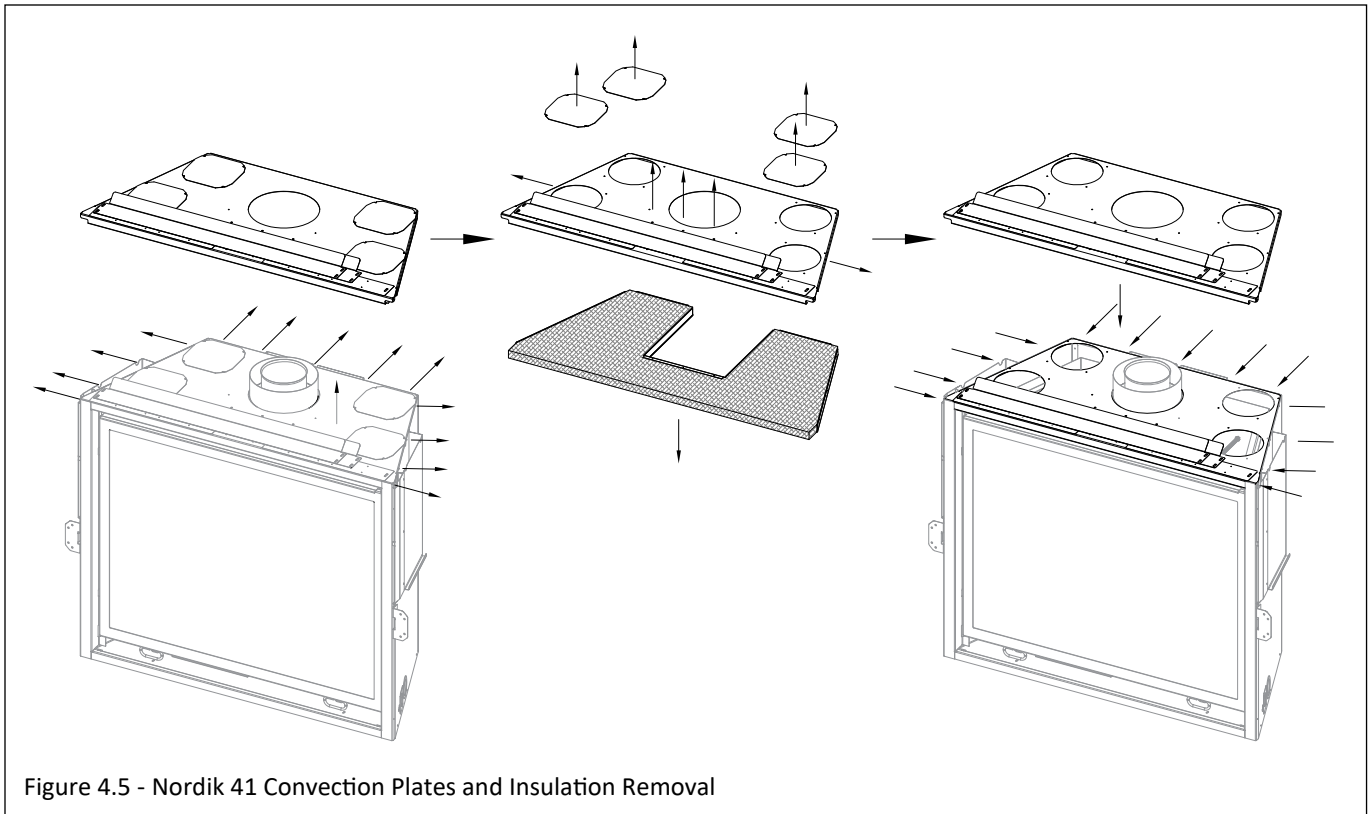
4.2 Nordik 41 DV

All contents in this kit are required and must be installed.

The Kozy Zone Kit requires that the convection plates, and insulation blanket to be removed to allow the hot airflow to convect upwards into the air ducts installed on the fireplace.

See additional requirements and installation information in the appliance manual.

1. Remove the (13) sheet metal screws that secure the top outer shell assembly. Pull this assembly straight up around the exhaust stack to remove it from the appliance. See the first image in Figure 4.5.
2. Remove the (4) cover plates where each cover plate is secured with (4) sheet metal screws. See the second image in Figure 4.5. Discard these cover plates.
3. Remove (3) sheet metal screws from the top of the assembly (see close up in Figure 4.6) and (2) sheet metal screws on the side of the assembly (one screw on each side shown in the second image of Figure 4.5). You are now able to separate the two sections of the top outer shell assembly. Remove and discard both the insulation and the bottom section of the top assembly. Additionally discard the (4) cover plates shown in the second image of Figure 4.5.
4. Reinstall the top outer shell assembly on the appliance with the previously removed (13) sheet metal screws.
5. Align the take off collars to the corresponding holes on top of the appliance. Secure with screws previously removed. Install the take off collars to the corresponding opening(s) on the plenum(s). Use supplied screws.
6. Frame the rough opening of the fireplace and KZK plenum. Refer to all pages of this KZK-038 manual and the Nordik 41 DV manual. See previous pages of this manual for allowable plenum positions and rough frame opening sizes.



7. Install stand-off assembly on top of the appliance. See Figure 4.4. Remove and save (4) screws securing stand-off heat shields and stand-off brackets on top of the fireplace. Form each top stand-off bracket by bending at perforations, as shown. Align the holes in the formed top stand-offs with the holes in the fireplace top. Secure with the (4) screws previously removed along with (4) screws located on top of the fireplace.
8. Form stand-off heat shields as shown. The flange will face up and to the back of the fireplace. Align the in the stand-off heat shields with the holes in the top stand-off brackets. Secure with (8) screws provided in the fireplace components packet.
9. Install the plenum(s) into the rough frame opening maintaining minimum clearances to combustibles as listed (see previous pages). Fix the plenum to the framing using nails or screw through the top mounting bracket.

NOTE: Mounting brackets are not intended to carry the weight of the plenum and pipes. Provide support to the underside of the plenum and ensure the plenum is level and its outlet is not distorted.

10. Use metal strapping (all-around, not supplied) as required to further secure the plenum to framing.
11. Attach the piping from all (4) plenum vent collars to all (4) fireplace vent collars. If you are mounting the plenum 10' or less above the fireplace, use (1) #KZK-410 kit or UL-181 Class 0 approved air duct. If you are mounting the plenum between 10' to 20' above the fireplace then you will need (2) #KZK-410 kits and #KZK-CPL or UL-181 Class 0 approved air duct.
12. An upward slope must be maintained in horizontal sections of pipes for proper convection. Support horizontal sections every 24 inches.
13. Install the 15-3/8" x 7-3/4" air grilles provided with the kit using (2) screws.

If desired, the air grille may be painted. Use high temperature paint (250°F).

Continue with fireplace installation.

IMPORTANT: The B41-PSF2 and B41-FRSF2 (Figure 3.1) are ONLY approved for use when the Nordik 41 DV is installed with the #KZK-038. The other (4) safety barriers shown in Figure 3.2 are approved in all installation scenarios.

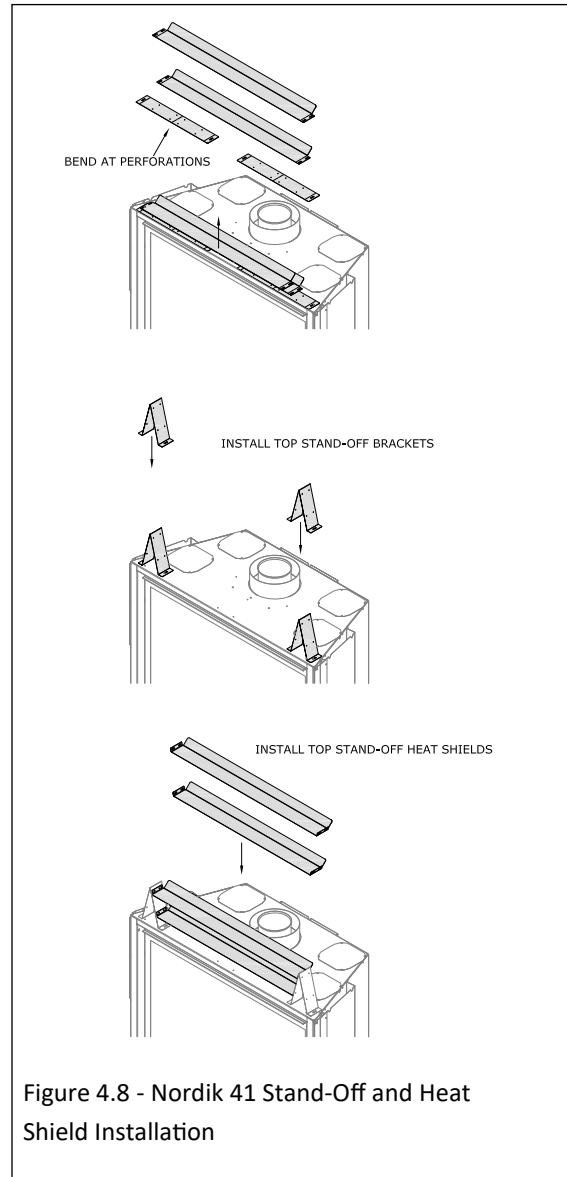


Figure 4.8 - Nordik 41 Stand-Off and Heat Shield Installation

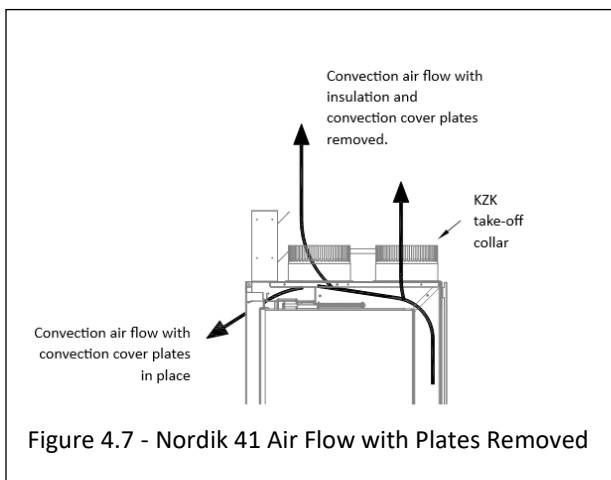


Figure 4.7 - Nordik 41 Air Flow with Plates Removed

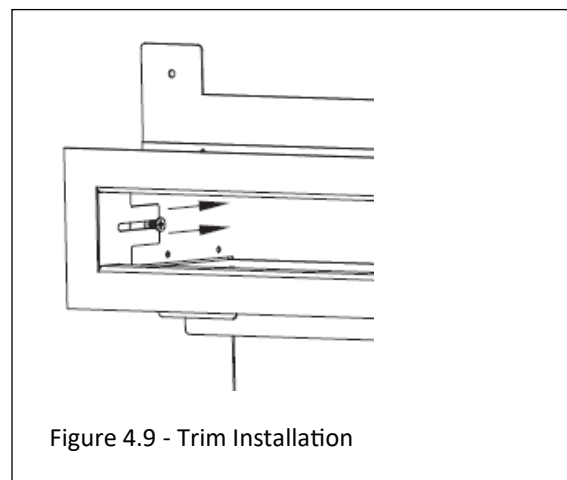


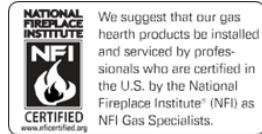
Figure 4.9 - Trim Installation

Komfort Zone Kit #KZK-038

À utiliser avec Bellingham 38 (#BHM-38) et Nordik 41 DV (#NDK-41-DV)

LISEZ TOUTES CES ÉTAPES AVANT DE COMMENCER L'INSTALLATION. LAISSEZ CE MANUEL AVEC L' APPAREIL.

Ce kit doit être installé par un centre de service ou un installateur qualifié, ou par le fournisseur de gaz, au moment d'installer l'appareil de chauffage. Ces instructions doivent être utilisées conjointement avec le manuel d'installation et d'utilisation fourni avec l'appareil. Veuillez lire complètement le manuel d'installation de l'appareil avant de commencer les procédures de ce manuel d'instructions.



English and French installation manuals are available through your local dealer. Visit our website www.kozyheat.com.

Les manuels d'installation en français et en anglais sont disponibles chez votre détaillant local. Visitez www.kozyheat.com.

1.0	Introduction	27
1.1	Contenu du kit	27
1.2	Configurations suggérées	28
1.3	Dimensions et vue d'ensemble	30
1.4	Chemin du conduit d'air	31
2.0	Encadrement et dégagements	32
2.1	Dégagement à l'arroseeur	32
2.2	Encadrement	33
3.0	Parement et finition	36
3.1	Exigences relatives aux matériaux non combustibles	37
3.2	Exigences de finition	39
3.3	Dégagements du foyer et du manteau	42
4.0	Préparation et installation du foyer	44
4.1	Bellingham 38	44
4.2	Nordik 41 DV	46

INSTALLATEUR : Laissez ce manuel avec l'appareil.

CONSOMMATEUR : Conservez ce manuel pour référence ultérieure.

IMPORTANT : Le non-respect de ces instructions peut créer un danger et annulera la garantie du foyer.

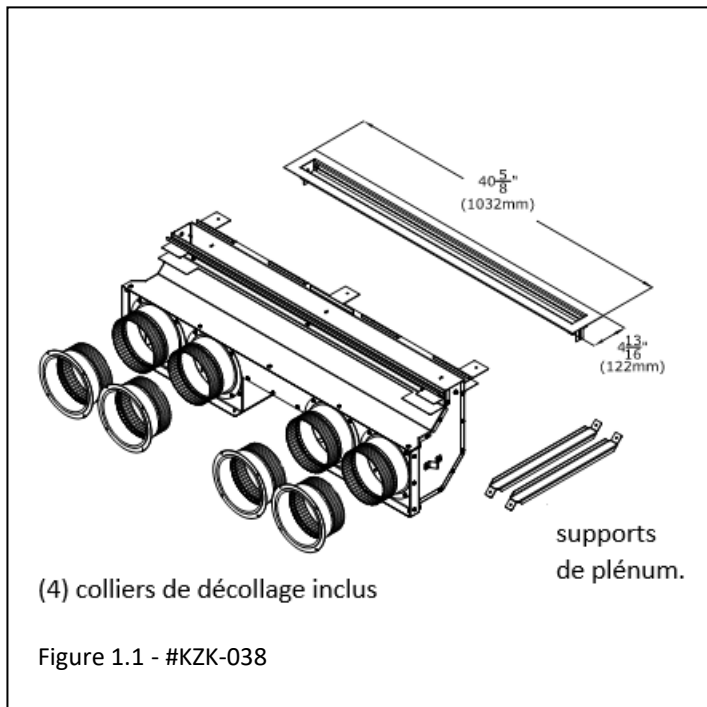
Ce kit optionnel de conduits d'air de convection redistribue l'air chaud du foyer vers le (ou les) lieux de votre choix grâce à la convection naturelle, sans besoin de ventilateur. La sortie d'air chaud peut être dirigée plus haut sur le mur, à travers les murs adjacents, ou même vers la pièce adjacente. Cela permet de réduire beaucoup la température des murs au-dessus du foyer, pour pouvoir y installer une télévision, des objets d'art ou autres.

1.0 Introduction

1.1 Contenu du kit

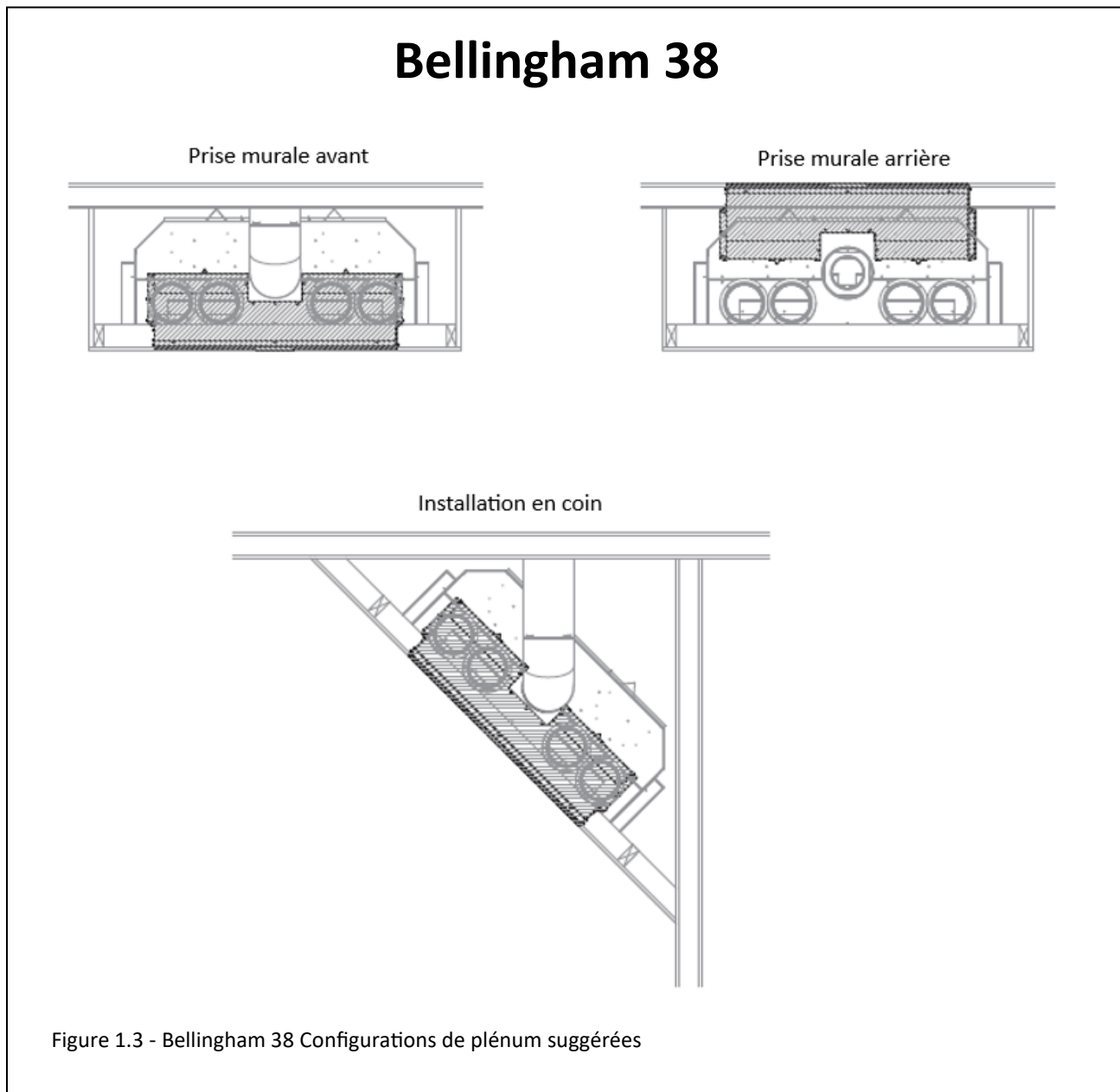
TOUT le contenu du kit doit être installé.

- (1) Ensemble plénum 40" : KZK-038
- (1) garniture de décharge de plénum : KZK-038DT
- (2) supports de plénum
- (8) Colliers de 6" - (4) à fixer au bas du plénum ; (4) à fixer à l'unité où les plaques de couverture sont retirées.
- (1) KZK-410-6 (vendu séparément) est utilisé pour une course de ventilation de 10'. Si vous montez le plénum au-dessus du foyer à 10' (3m) ou moins, utilisez (1) kit KZK-410-6.
- Le KZK-CPL6 (vendu séparément) est constitué de (6) coupleurs de 6" qui connectent (2) KZK-410-6. Vous n'aurez besoin que de (4) coupleurs de 6" pour l'installation. Si vous montez le plénum au-dessus du foyer entre 10' et 20', vous aurez besoin de (2) kit KZK-410-6 et (1) kit de coupleur #KZK-CPL6.

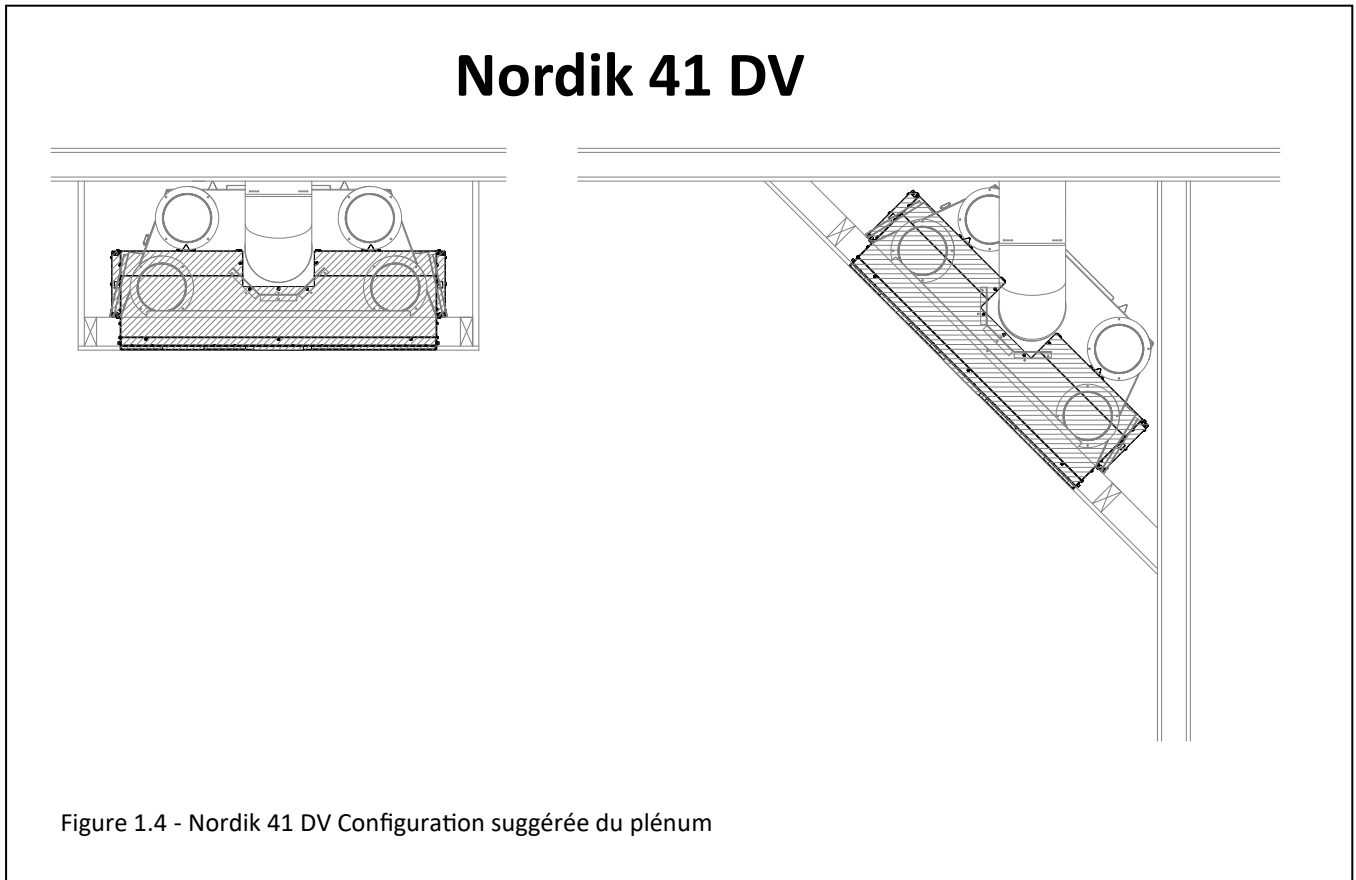


1.2 Configurations suggérées

- Lors de l'installation du #KZK-038, tenez compte de la ventilation du foyer et de la configuration du tube du plénum.
- Le plénum #KZK-038 peut être installé de manière à évacuer la chaleur soit dans la pièce où le Bellingham 38 est installé, soit dans une pièce adjacente à l'intérieur de la porte derrière l'appareil.
- La « sortie murale arrière » permet à la décharge d'air du plénum d'aller dans une pièce séparée.



- Le plénum #KZK-038 ne peut décharger que dans la même pièce où le Nordik 41 DV est installé.
- La figure 1.5 montre deux configurations courantes.
- Le plénum d'évacuation doit être placé dans la même pièce que l'appareil.



1.3 Dimensions et vue d'ensemble

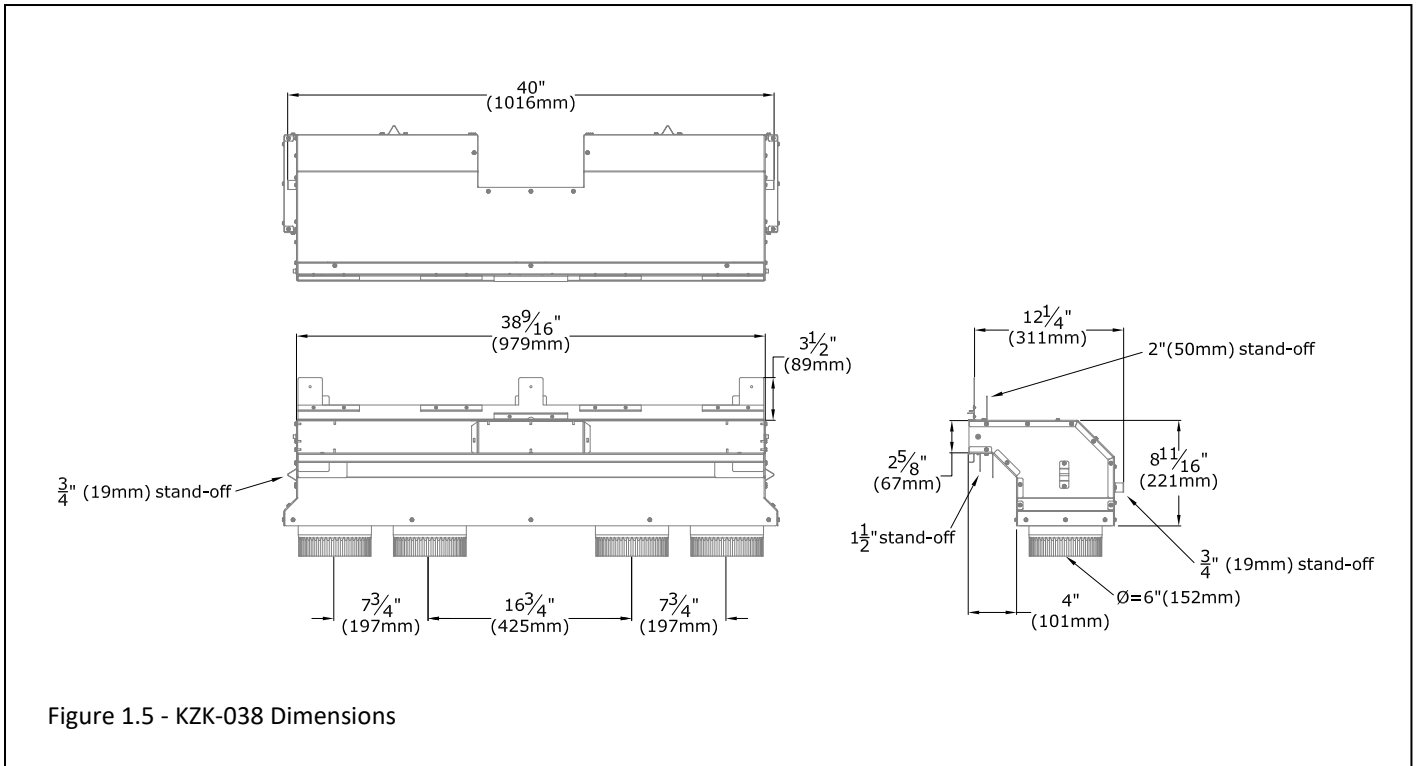


Figure 1.5 - KZK-038 Dimensions

1.4 Chemin du conduit d'air

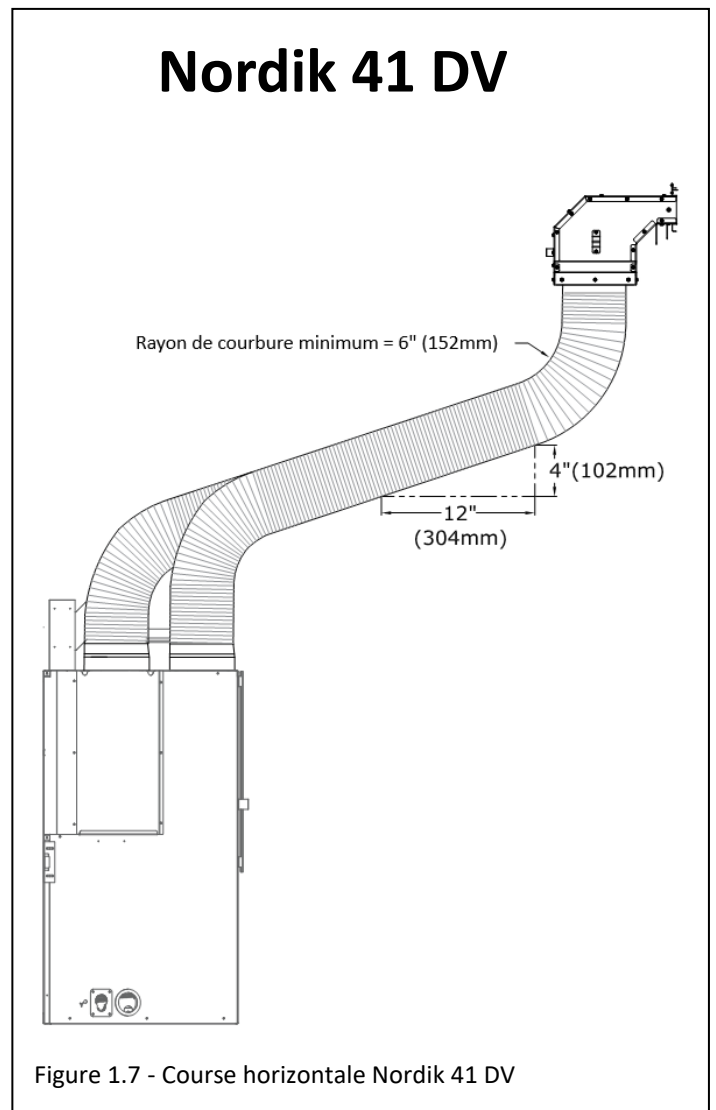
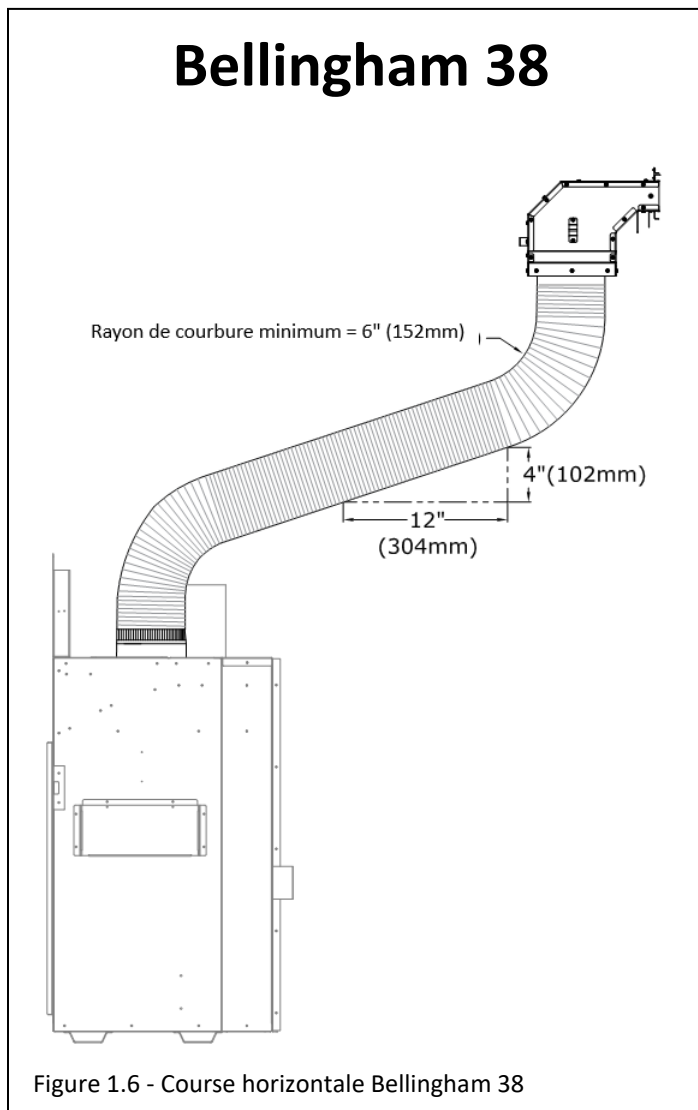
IMPORTANT : Le conduit d'air ne peut pas fonctionner horizontalement sans élévation verticale.

IMPORTANT : Le dégagement de 1/2" autour des conduits d'air doit être maintenu.

Utilisez la tuyauterie de conduit d'air #KZK-410-6 UL181 Classe 0 pour connecter le(s) plénum(s) à l'unité.

Hussong Mfg. Co., Inc. exige que les tuyaux soient répertoriés comme conduit d'air UL181 classe 0 pour connecter le(s) plénum(s) à l'unité.

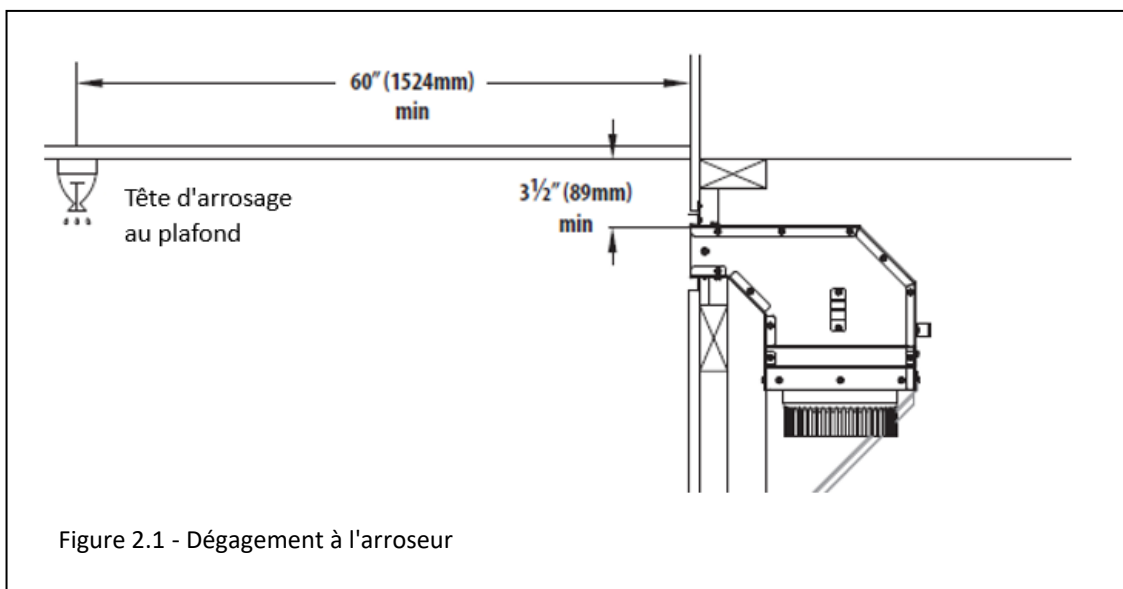
Course maximale de l'évent : 20' (6 m)



2.0 Encadrement et dégagements

2.1 Dégagement à l'arroseur

- Dans une situation où une tête de gicleur est installée à proximité d'une ouverture de décharge #KZK, le schéma ci-dessous DOIT être suivi.
- La distance entre une tête d'arrosage et l'ouverture de décharge ne peut pas être inférieure à 60" (1524 mm) de longueur à chaque point de l'origine de l'ouverture de décharge. Vous devez également vérifier que le capteur de la tête d'arrosage est réglé sur le réglage de chaleur approprié afin qu'il ne s'active lorsque la pièce se réchauffe du fait que le foyer fonctionne normalement.
- Veuillez suivre les codes du bâtiment locaux pour déterminer quel réglage de température est pertinent pour votre installation.



2.2 Encadrement

Cette section présente les dimensions d'ouverture approximatives et les dégagements pour le plénum, l'installation de l'unité et l'installation de l'unité avec une construction d'encastrement TV.

Les dimensions brutes de la charpente de l'ouverture doivent tenir compte de l'épaisseur du revêtement mural et des matériaux de parement. Veuillez vous référer à la section 3.0 à la page 36 pour les options spécifiques de parement et de finition.

Les figures 2.3 et 2.4 montrent la hauteur minimale de la charpente du plénum à partir de la base de ce foyer spécifique.

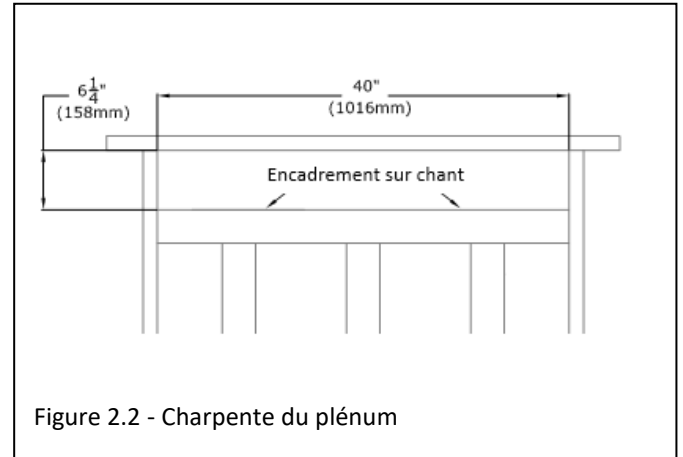


Figure 2.2 - Charpente du plénum

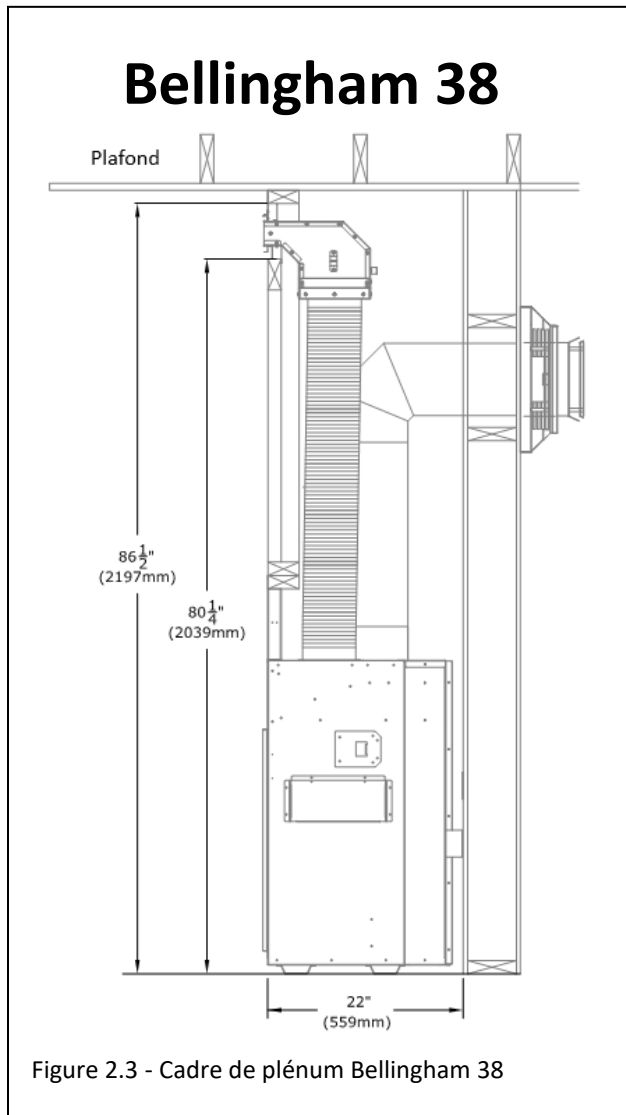


Figure 2.3 - Cadre de plénum Bellingham 38

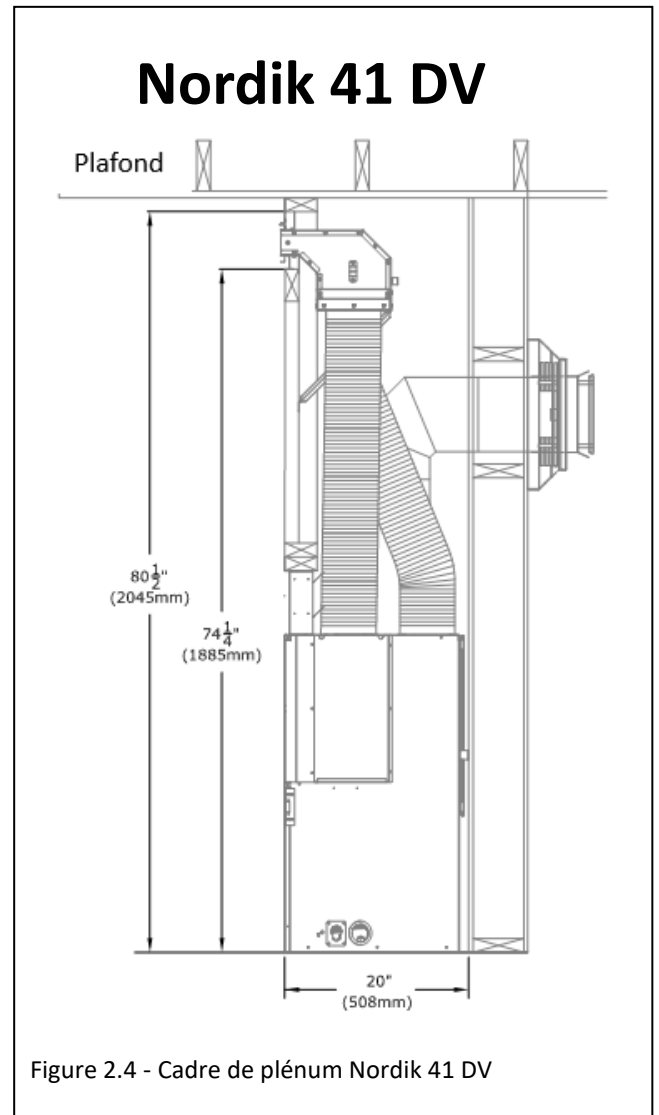


Figure 2.4 - Cadre de plénum Nordik 41 DV

La figure 2.5 montre le dégagement minimum entre le haut de l'ouverture du plénum et le plafond. Ceci s'applique à tous les modèles.

La figure 2.6 montre la hauteur minimale de la charpente du plénum à partir du bord de finition supérieur du foyer. Ceci s'applique à Bellingham 38.

La figure 2.7 montre la hauteur minimale de la charpente du plénum à partir du haut du foyer. Ceci s'applique au Nordik 41 DV.

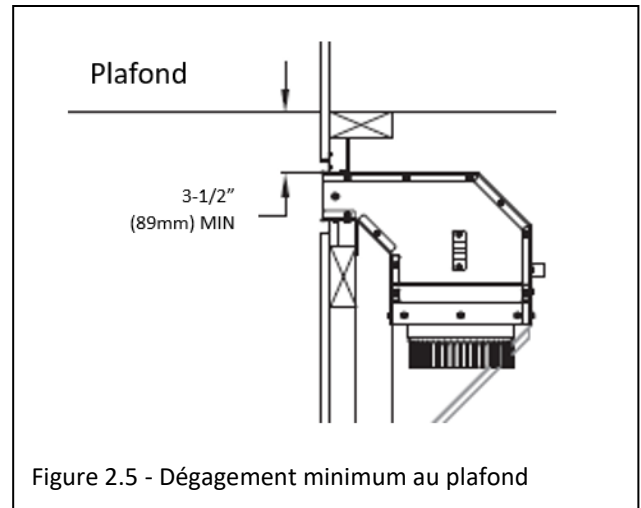


Figure 2.5 - Dégagement minimum au plafond

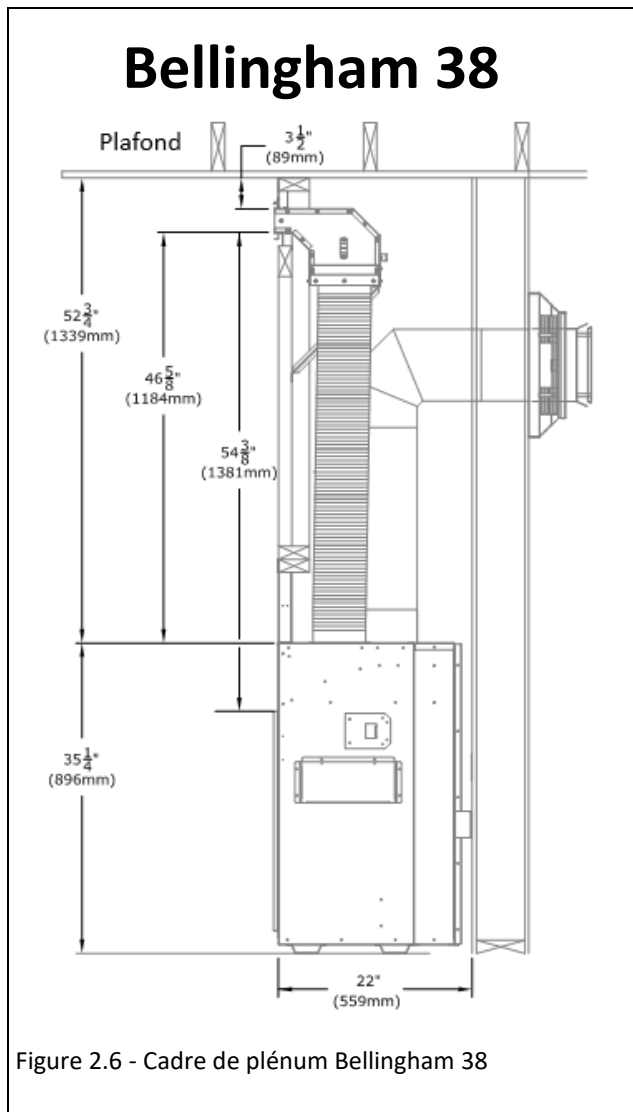


Figure 2.6 - Cadre de plénum Bellingham 38

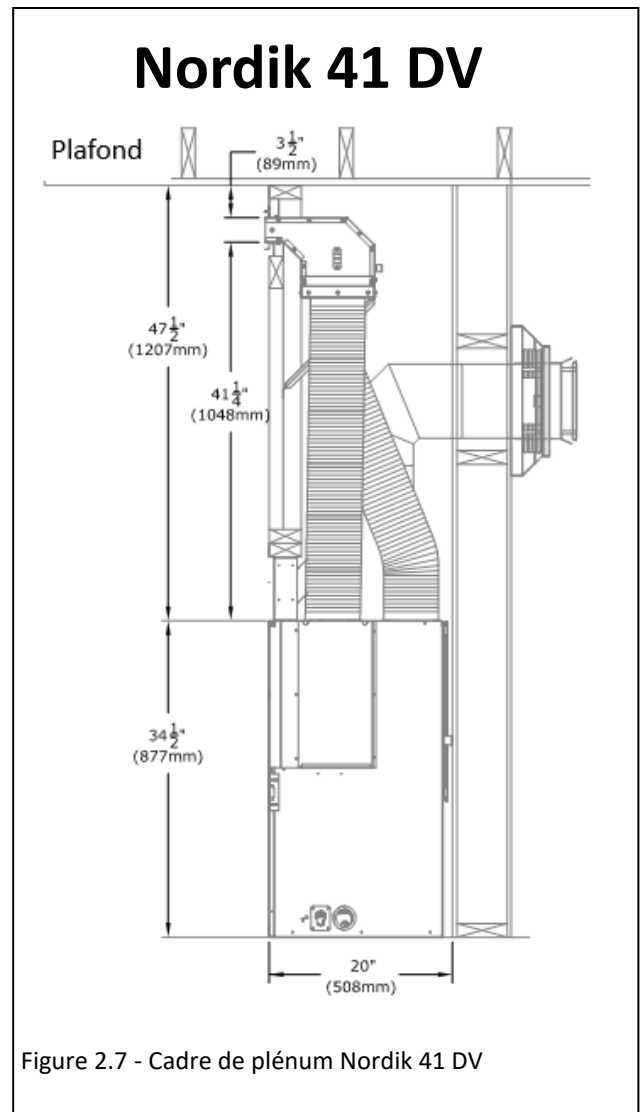


Figure 2.7 - Cadre de plénum Nordik 41 DV

Bellingham 38

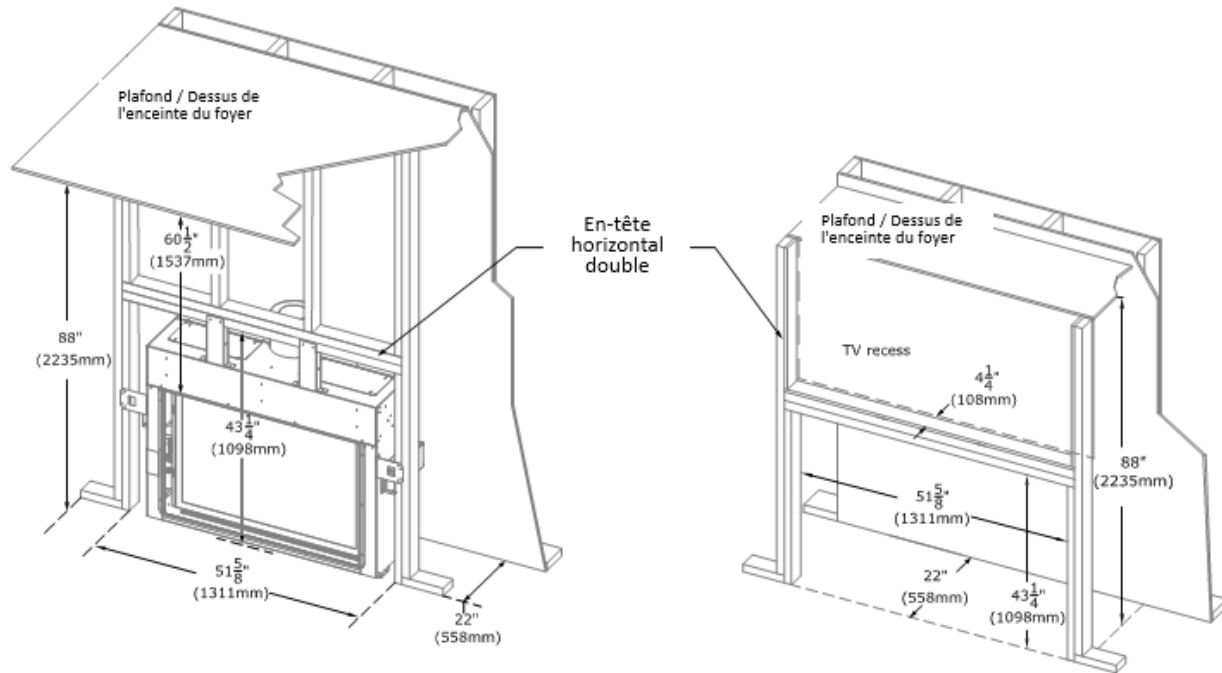


Figure 2.8 - Ouverture brute de l'enceinte murale Bellingham 38

Nordik 41 DV

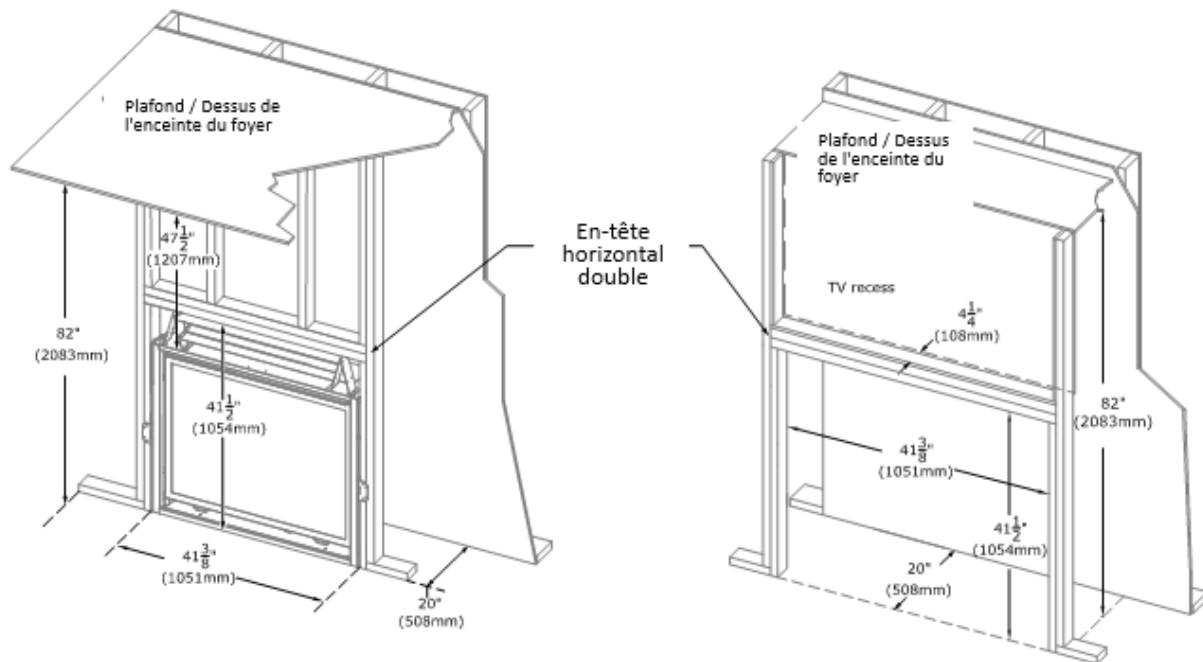


Figure 2.9 - Ouverture brute de l'enceinte murale Nordik 41 DV

3.0 Parement et finition

Voir ci-dessous pour des informations sur les matériaux de finition spécifiques au foyer :

Bellingham 38

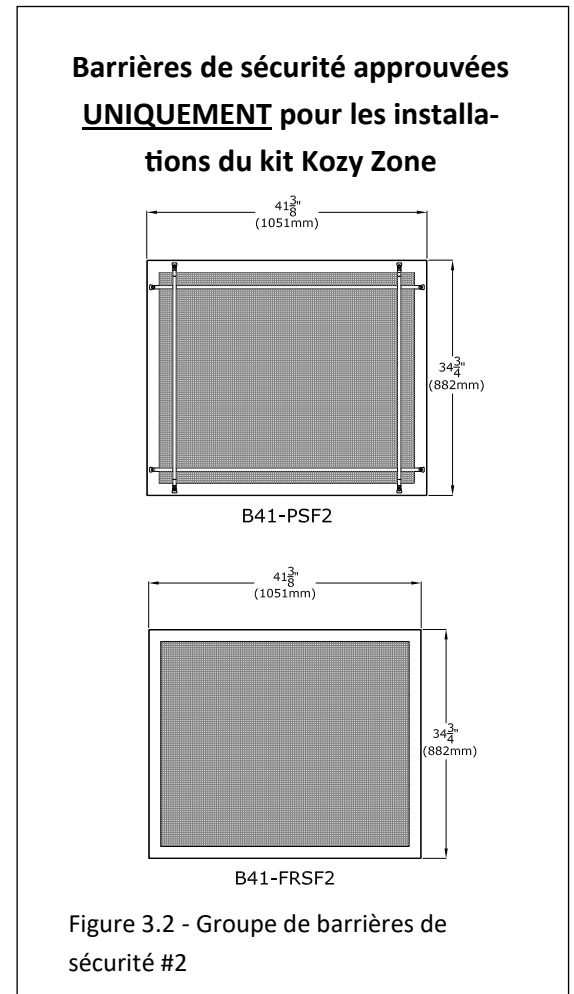
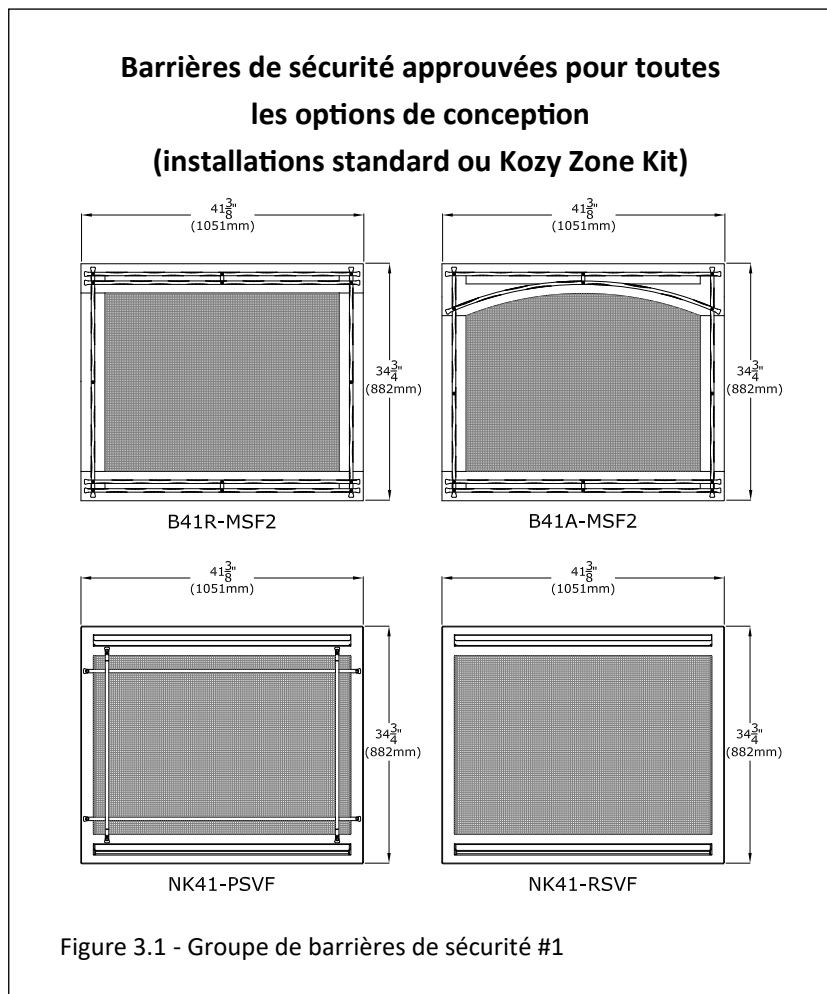
Les Bellingham 38 sont équipés uniquement d'un écran de sécurité qui s'insère à l'intérieur du bord de finition. Les matériaux de finition, les saillies du manteau et les saillies de l'âtre peuvent buter contre le bord de finition.

- Si vous achetez l'encadrement rectangulaire en option (pièce #BH38-RS), le matériau de finition jusqu'à 1-1/4" d'épaisseur totale peut continuer à être fini jusqu'au bord de finition du foyer et l'encadrement en option peut être installé sur le dessus de le matériau de finition. Ces contours optionnels ont un support fendu pour fixer le contour au foyer qui permet cette installation sur un matériau de finition jusqu'à 1-1/4" d'épaisseur.
- Si vous avez une épaisseur combinée de matériau de finition supérieure à 1-1/4 po, nous vous recommandons de mettre le matériau de finition en butée contre le bord de finition et de ne pas utiliser le contour en option.
- L'encadrement en option doit pouvoir être retiré pour les travaux d'entretien. Assurez-vous que le matériau de finition n'empêche pas.

Nordik 41 DV

Le Nordik 41 DV est fourni avec un « kit de garniture de finition ». Il est fortement recommandé d'installer et d'utiliser ce kit avec le foyer. Le kit de garniture de finition fournit un bord de finition pour le matériau contre lequel s'appuyer tout en fournissant le dégagement nécessaire pour que la barrière de l'écran de sécurité soit retirée.

IMPORTANT : Les modèles B41-PSF2 et B41-FRSF2 (Figure 3.1) sont **UNIQUEMENT** approuvés pour une utilisation lorsque le Nordik 41 DV est installé avec le #KZK-038. Les (4) autres barrières de sécurité illustrées à la figure 3.2 sont approuvées dans tous les scénarios d'installation.

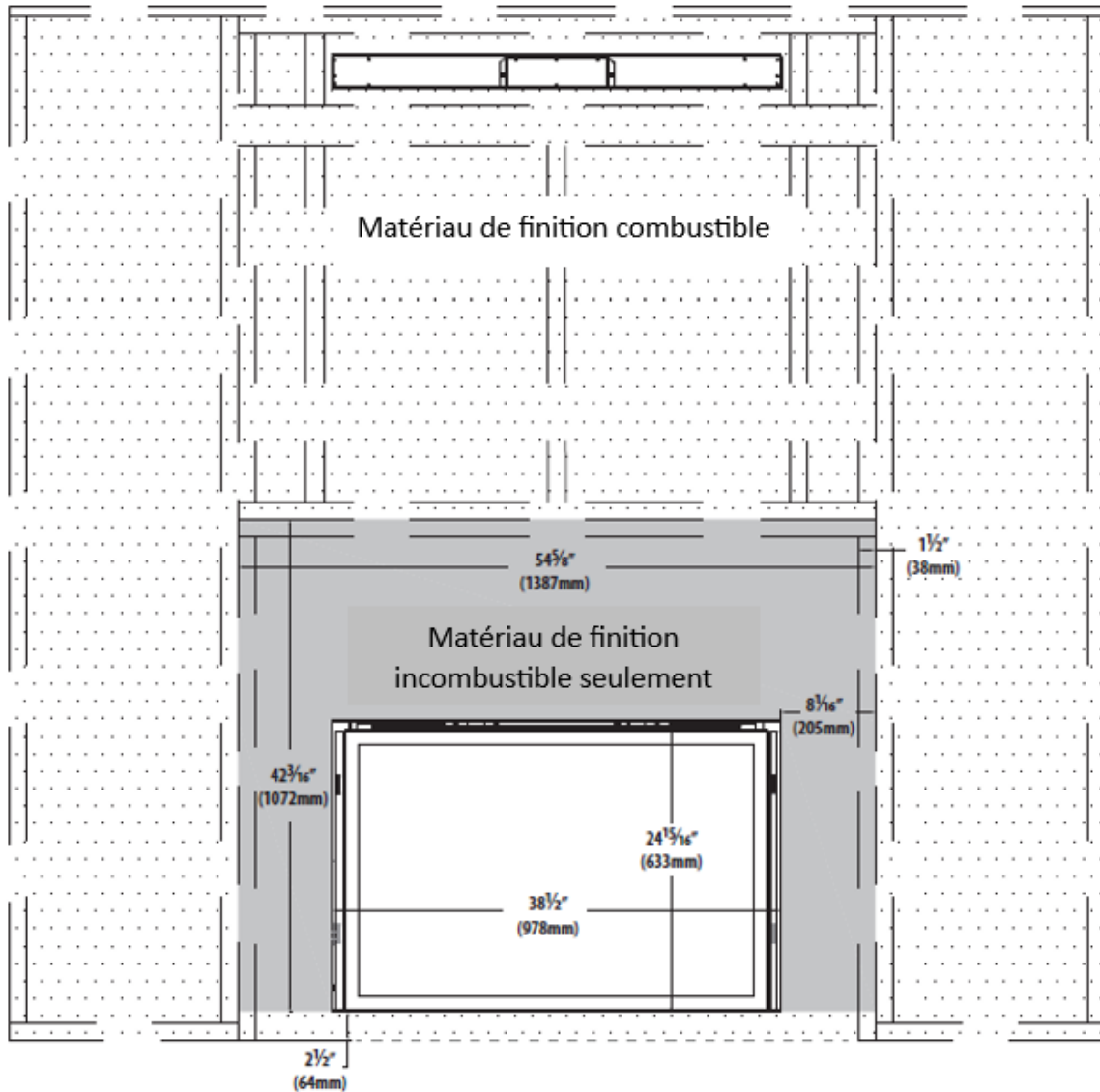


Plénum KZK

La section 3.2 fournira des informations sur les matériaux de finition autour du plénum KZK.

3.1 Exigences non combustibles

Bellingham 38



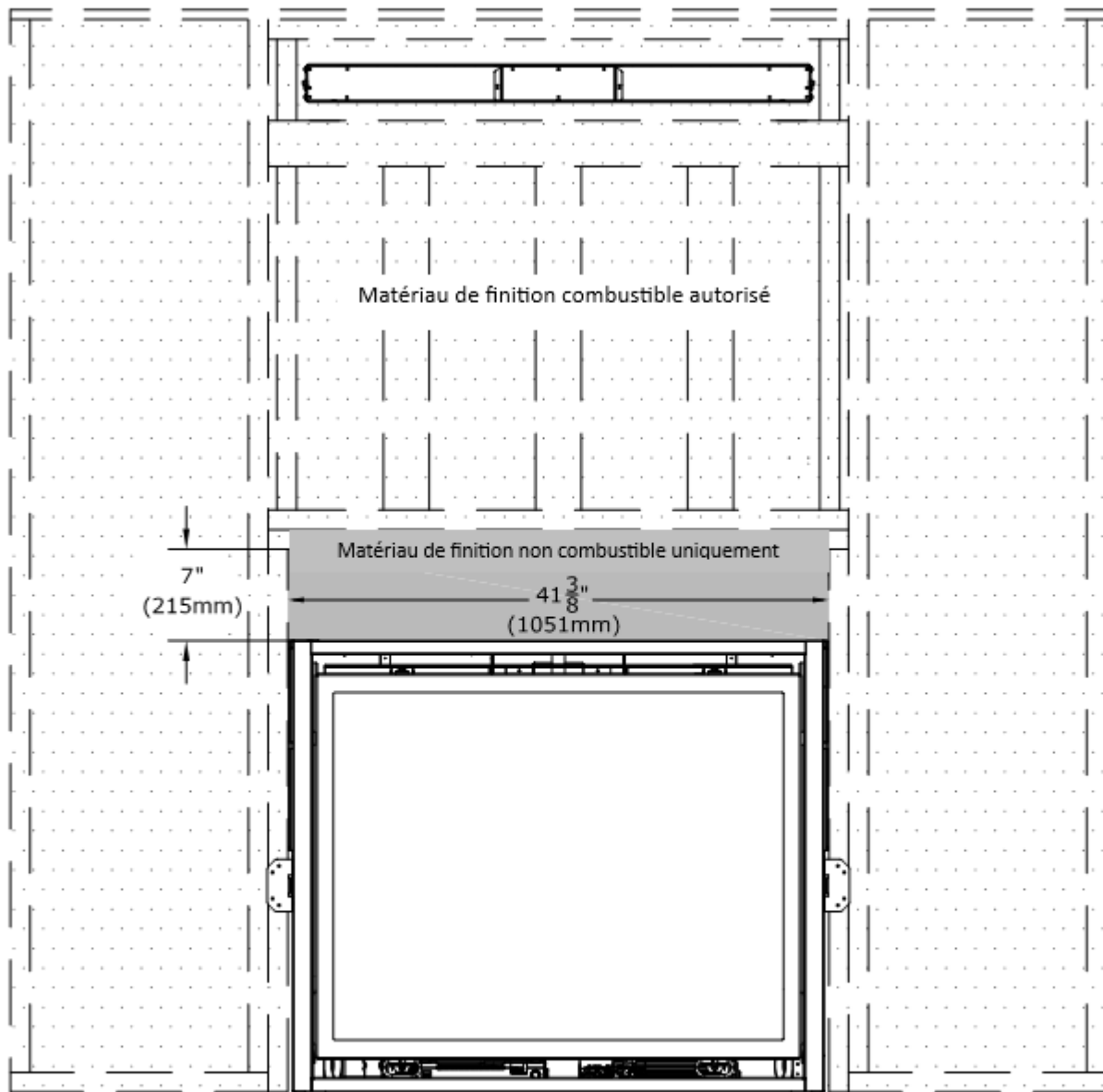
Matériau de finition incombustible seulement



Matériaux de finition combustibles autorisés

Figure 3.3 - Bellingham 38 Dimensions minimales de finition incombustibles

Nordik 41 DV



Matériau de finition non combustible
uniquement



Matériau de finition combustible
autorisé

Figure 3.4 - Nordik 41 DV Dimensions minimales de finition incombustibles

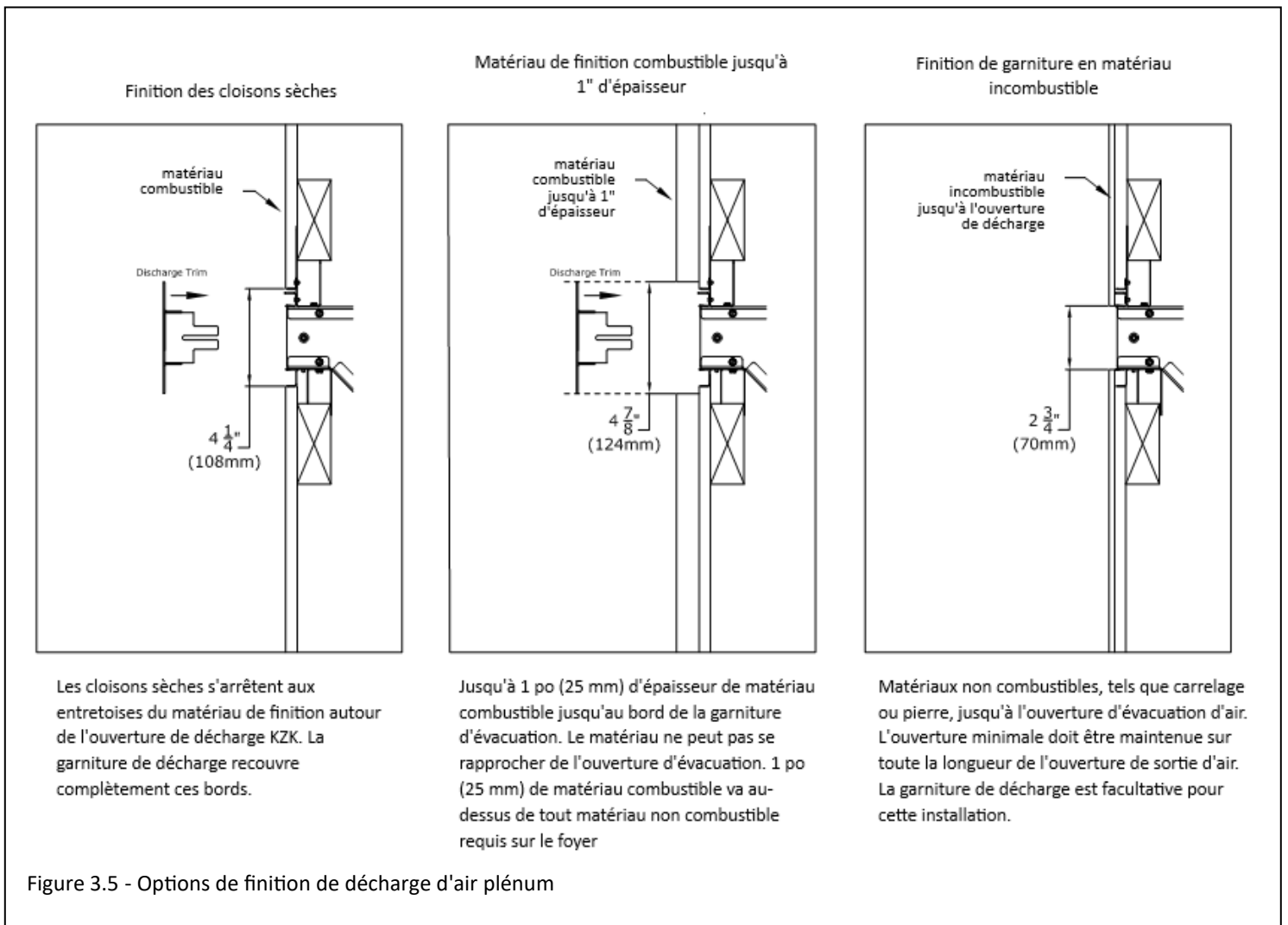
3.2 Exigences de finition

3.2.1 Options de finition - Refoulement d'air plenum

La figure 3.5 s'applique à tous les modèles de foyer.

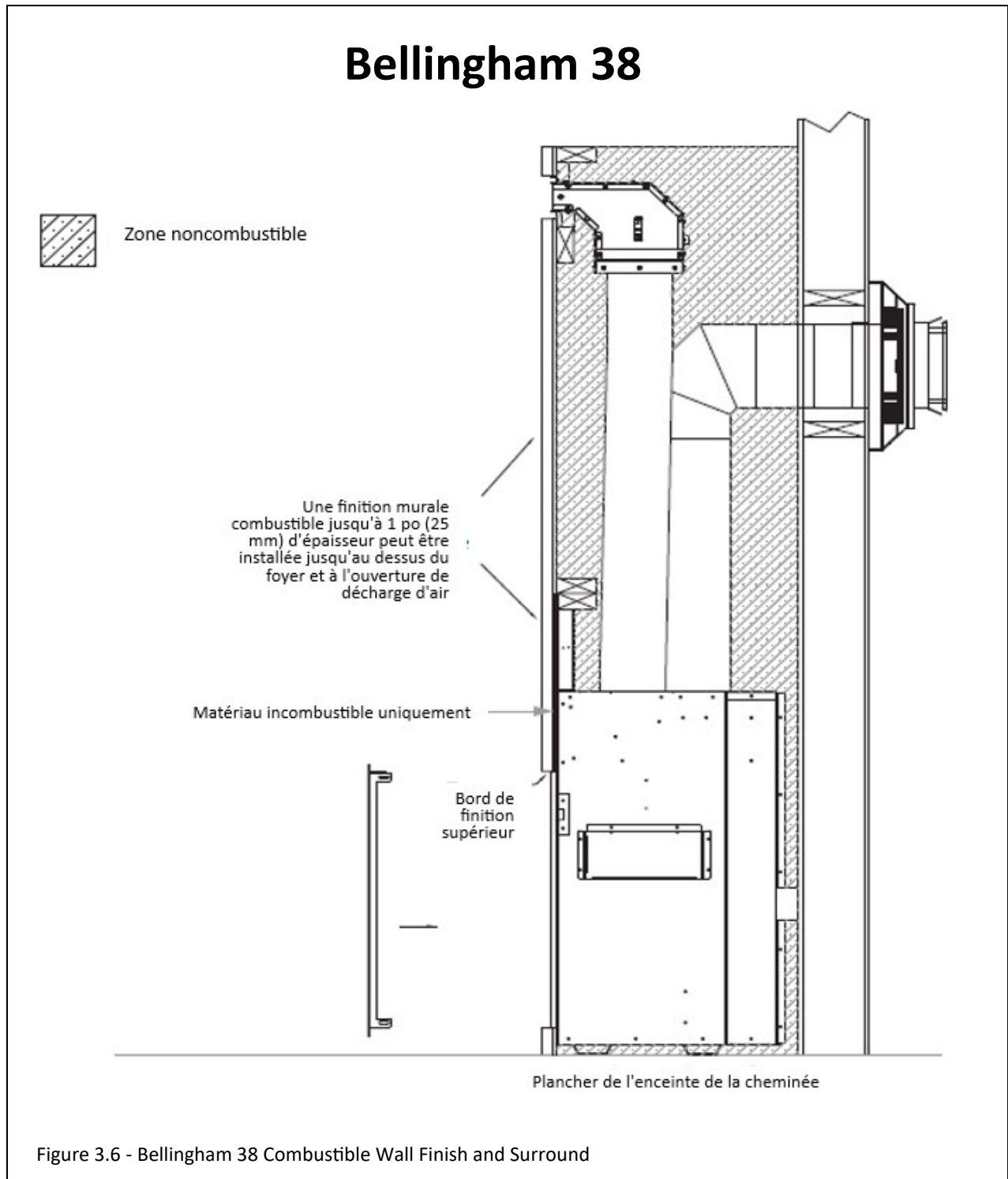
REMARQUE : Il n'est pas nécessaire d'utiliser la garniture de refoulement (#KZK-038DT). Vous êtes autorisé à faire passer un matériau de finition incombustible jusqu'à l'ouverture de décharge d'air. Voir la figure 3.5 pour les options de finition. Le matériau de finition ne doit pas obstruer l'ouverture et doit être acheminé uniformément le long de l'ouverture du plenum.

AVERTISSEMENT! RISQUE DE SURCHAUFFE ET D'INCENDIE ! Assurez-vous que le système de conduits KZK est installé conformément à ce manuel

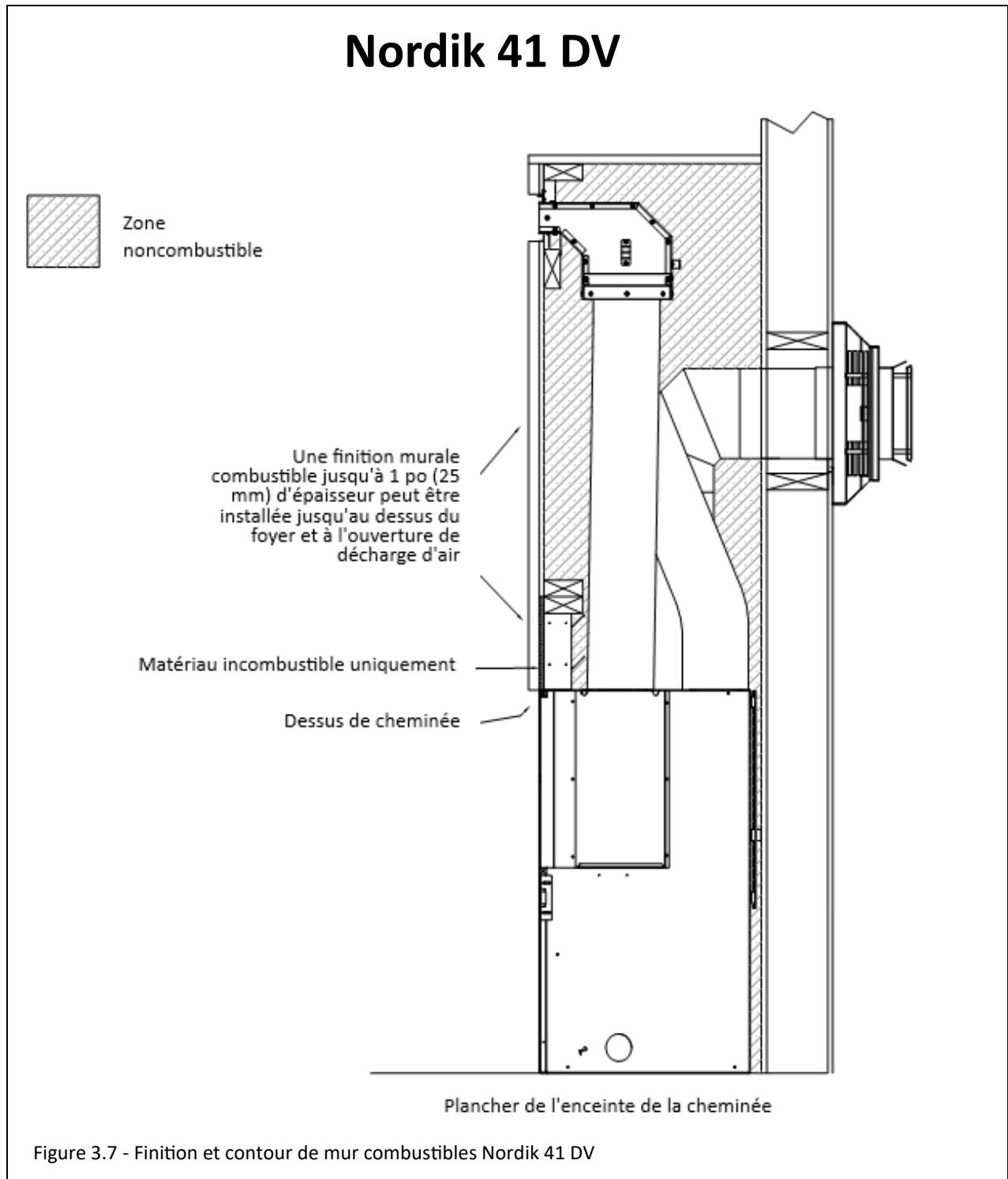


3.2.2 Finition murale combustible

- La figure 3.6 montre l'installation d'une finition murale combustible jusqu'à 1" d'épaisseur pour Bellingham 38. Ce matériau combustible va sur tous les matériaux non combustibles requis, comme indiqué dans les figures 3.3 à la page 37.
- Ce matériau combustible de 1" (25 mm) est capable de descendre jusqu'au bord de finition du foyer.
- Voir Figure 3.5 à la page 39 pour une installation de matériaux combustibles jusqu'à 1 po (25 mm) d'épaisseur autour de la grille d'évacuation d'air KZK.

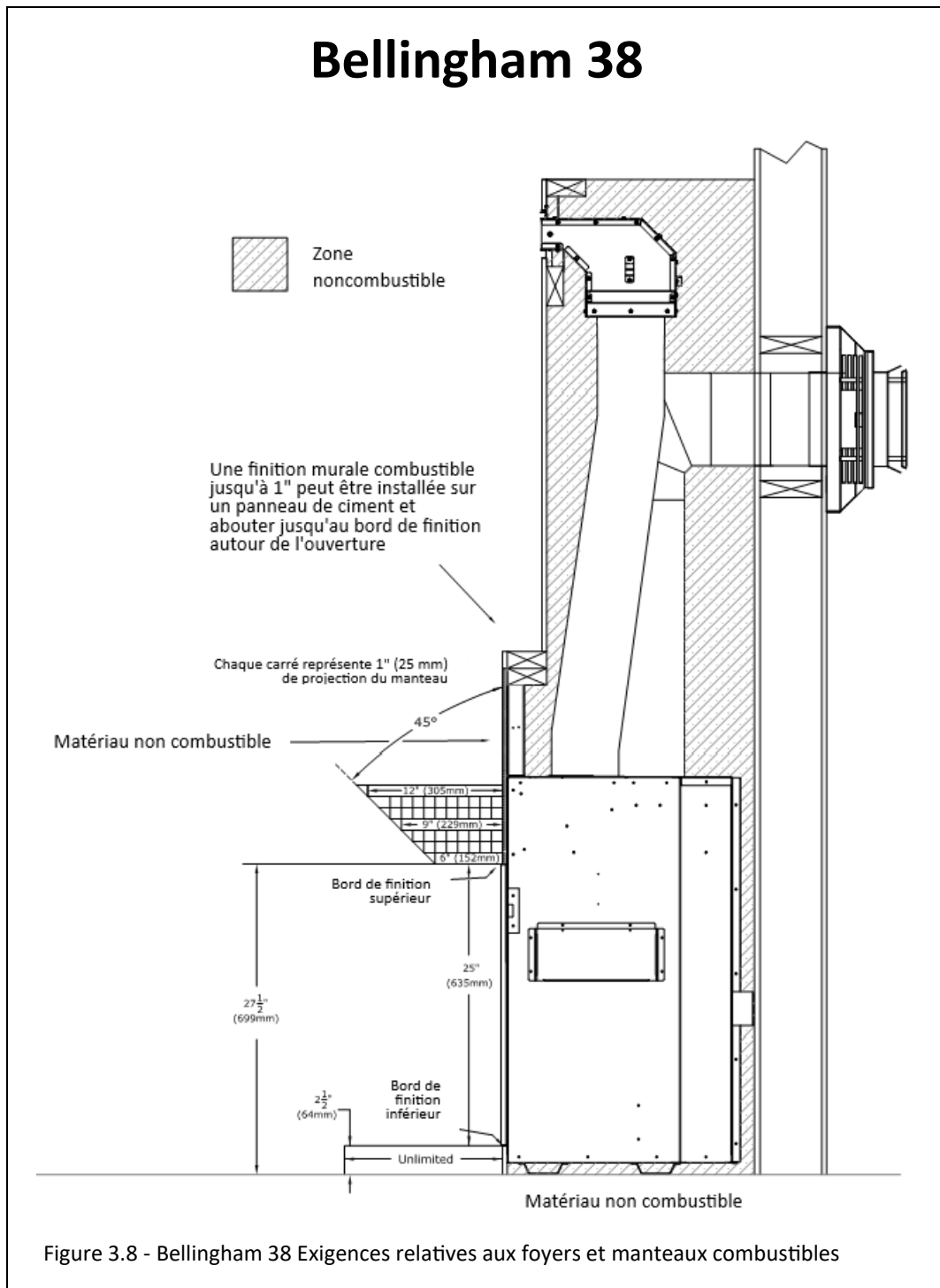


- La figure 3.7 montre l'installation d'un revêtement mural combustible jusqu'à 1" d'épaisseur pour Nordik 41 DV. Ce matériau combustible va sur tous les matériaux incombustibles requis tel qu'exigé dans les figures 3.4 à la page 38.
- Ce matériau combustible de 1" (25 mm) est capable de descendre jusqu'au bord de finition du foyer.
- Voir Figure 3.5 à la page 39 pour une installation de matériaux combustibles jusqu'à 1 po (25 mm) d'épaisseur autour de la grille d'évacuation d'air KZK.

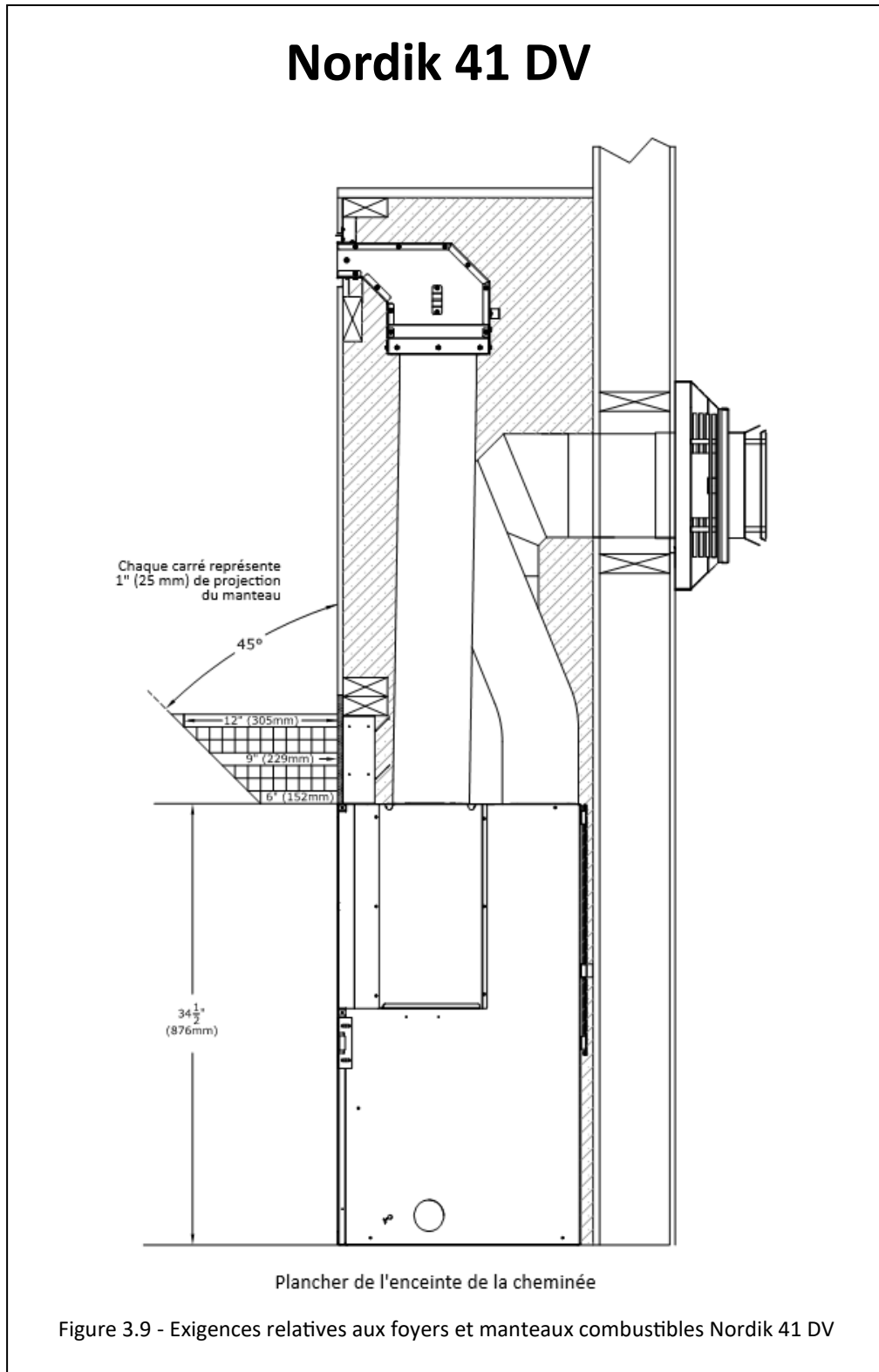


3.3 Dégagements du foyer et du manteau

- Les dessins suivants montrent les dégagements du foyer et du manteau permis pour le Bellingham 38 et le Nordik 41 DV.
- La figure 3.8 montre les projections du manteau et de l'âtre pour le Bellingham 38 autorisées lors de l'utilisation de ce KZK-038. L'image ci-dessous montre la projection du manteau commençant au bord de finition supérieur du foyer et la projection de l'âtre commençant au bord de finition inférieur du foyer.



- La figure 3.9 montre les projections du manteau et de l'âtre pour le Nordik 41 DV autorisées lors de l'utilisation de ce KZK-038. L'image ci-dessous montre la projection du manteau à partir du bord de finition supérieur du foyer. Un revêtement de sol combustible est autorisé sous l'appareil et le plancher/foyer continue au bord de finition inférieur du foyer.



4.0 Préparation et installation du foyer

4.1 Bellingham 38

Tout le contenu de ce kit est requis et doit être installé.

Le kit Kozy Zone nécessite que le déflecteur de convection, situé au-dessus de la chambre de combustion à l'intérieur de l'armoire métallique de l'appareil, soit retiré pour permettre au flux d'air chaud de convecter vers le haut dans les conduits d'air installés sur le foyer. Vous retirerez également les plaques de recouvrement.

Consultez les exigences supplémentaires et les informations d'installation dans le manuel de l'appareil.

1. Retirez le déflecteur de convection de l'appareil. Le déflecteur est fixé par (4) vis juste derrière le bord supérieur de l'ouverture du foyer. Il y a un petit clip de déflecteur au centre où vous retirez (2) vis, puis les (2) vis restantes impliqueront (1) vis de chaque côté du déflecteur de convection. Recyclez ce panneau car il n'est plus nécessaire. Voir Figure 4.1.
2. Retirez les (4) plaques de recouvrement situées sur le dessus de l'appareil (4 vis chacune).
3. Alignez les colliers de décollage sur les trous correspondants situés sur le dessus de l'appareil. Fixez-les avec les vis précédemment retirées. Installez les colliers de décollage sur la ou les ouverture(s) correspondante(s) sur le(s) plénum(s). Utilisez les vis fournies.

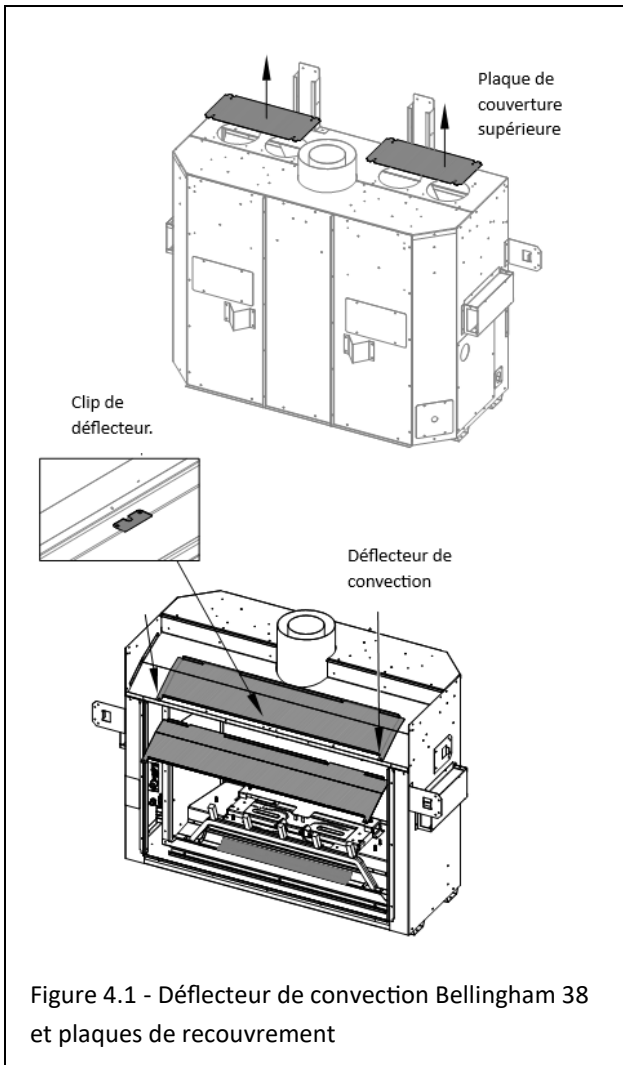


Figure 4.1 - Déflecteur de convection Bellingham 38 et plaques de recouvrement

4. Encadrez l'ouverture brute du foyer et du plénum KZK. Reportez-vous à toutes les pages de ce manuel KZK-038 et du manuel Bellingham 38. Voir les pages précédentes de ce manuel pour les positions de plénum autorisées et les tailles d'ouverture approximatives du cadre.
5. Installez l'assemblage de l'entretoise sur le dessus de l'appareil. Voir Figure 4.3. Localisez l'assemblage de l'entretoise et l'écran thermique du linteau sur le dessus du foyer, tel qu'expédié. Jeter l'écran thermique du linteau. Fixez les pièces d'assemblage de l'entretoise comme indiqué ci-dessous et fixez-les avec (4) vis.
6. Installez le(s) plénum(s) dans l'ouverture brute du cadre en maintenant les dégagements minimaux aux matériaux combustibles comme indiqué (voir les pages précédentes). Fixez le plénum à l'encadrement à l'aide de clous ou de vis à travers le support de montage supérieur.

REMARQUE : Les supports de montage ne sont pas conçus pour supporter le poids du plénum et des tuyaux. Fournir un support au-dessous du plénum et s'assurer que le plénum est de niveau et que sa sortie n'est pas déformée.

7. Utilisez un cerclage métallique (tout autour, non fourni) selon les besoins pour fixer davantage le plénum à l'encadrement.
8. Fixez la tuyauterie de tous les (4) colliers de ventilation du plénum à tous les (4) colliers de ventilation du foyer. Si vous montez le plénum à 10 pi ou moins au-dessus du foyer, utilisez (1) kit #KZK-410 ou un conduit d'air approuvé UL-181 Classe 0. Si vous installez le plénum entre 10 pi et 20 pi au-dessus du foyer, vous aurez besoin de (2) kits #KZK-410 et d'un conduit d'air approuvé #KZK-CPL ou UL-181 classe 0.
9. Une pente ascendante doit être maintenue dans les sections horizontales des tuyaux pour une bonne convection. Soutenez les sections horizontales tous les 24 pouces.
10. Installez les grilles d'aération de 15-3/8 po x 7-3/4 po fournies avec le kit à l'aide de (2) vis.

Si vous désirez, la grille d'aération peut être peinte. Utilisez de la peinture haute température (250 °F).

Continuez avec l'installation du foyer.

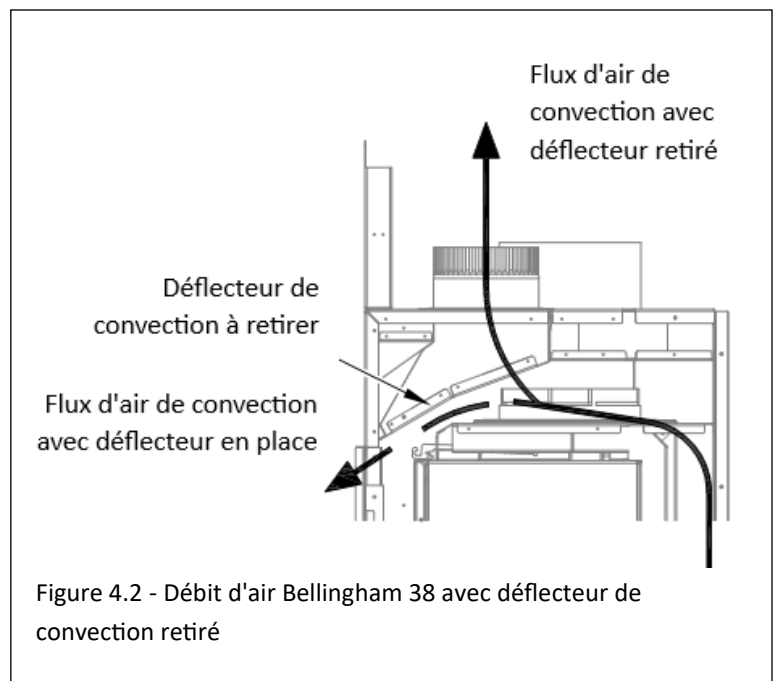
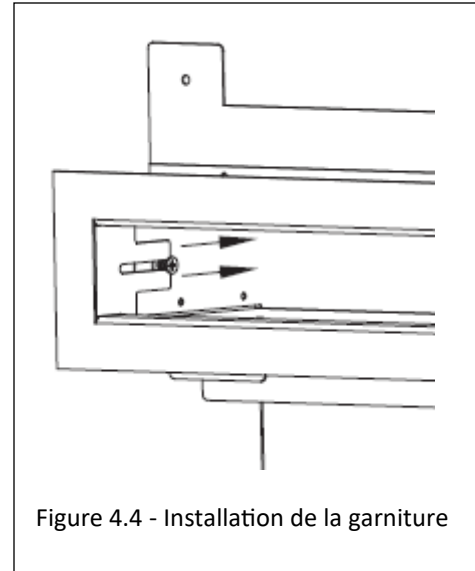
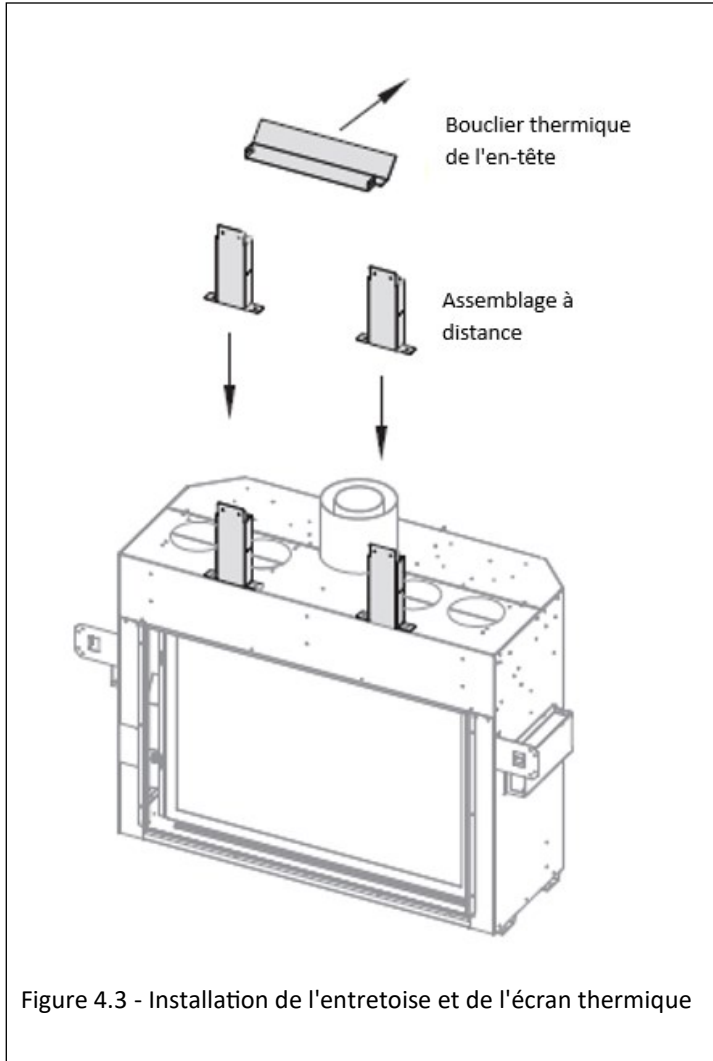


Figure 4.2 - Débit d'air Bellingham 38 avec déflecteur de convection retiré



4.2 Nordik 41 DV

Tout le contenu de ce kit est requis et doit être installé.

Le kit Kozy Zone nécessite que les plaques de convection et la couverture isolante soient retirées pour permettre au flux d'air chaud de convecter vers le haut dans les conduits d'air installés sur le foyer.

Consultez les exigences supplémentaires et les informations d'installation dans le manuel de l'appareil.

1. Retirez les (13) vis à tôle qui fixent l'assemblage de la coque extérieure supérieure. Tirez cet ensemble vers le haut autour de la cheminée d'évacuation pour le retirer de l'appareil. Voir la première image de la Figure 4.5.
2. Retirez les (4) plaques de recouvrement là où chaque plaque de recouvrement est fixée avec des (4) vis à tôle. Voir la deuxième image de la Figure 4.5. Jetez ces plaques de recouvrement.
3. Retirez les (3) vis à tôle du haut de l'assemblage (voir gros plan à la Figure 4.6) et les (2) vis à tôle sur le côté de l'assemblage. Vous pouvez maintenant séparer les deux sections de l'assemblage de la coque extérieure supérieure. Retirez l'isolant et jetez-le. Vissez ensemble les deux sections de l'assemblage de la coque extérieure supérieure avec les (5) vis à tôle précédemment retirées. Voir la deuxième image de la Figure 4.5. Jetez ces plaques de recouvrement.
4. Réinstallez l'assemblage de la coque extérieure supérieure sur l'appareil avec les (13) vis à tôle retirées précédemment.
5. Encadrez l'ouverture brute du foyer et du plénum KZK. Reportez-vous à toutes les pages de ce manuel du KZK-038 et du manuel du Nordik 41 DV. Voir les pages précédentes de ce manuel pour les positions de plénum autorisées et les tailles d'ouverture approximatives du cadre.

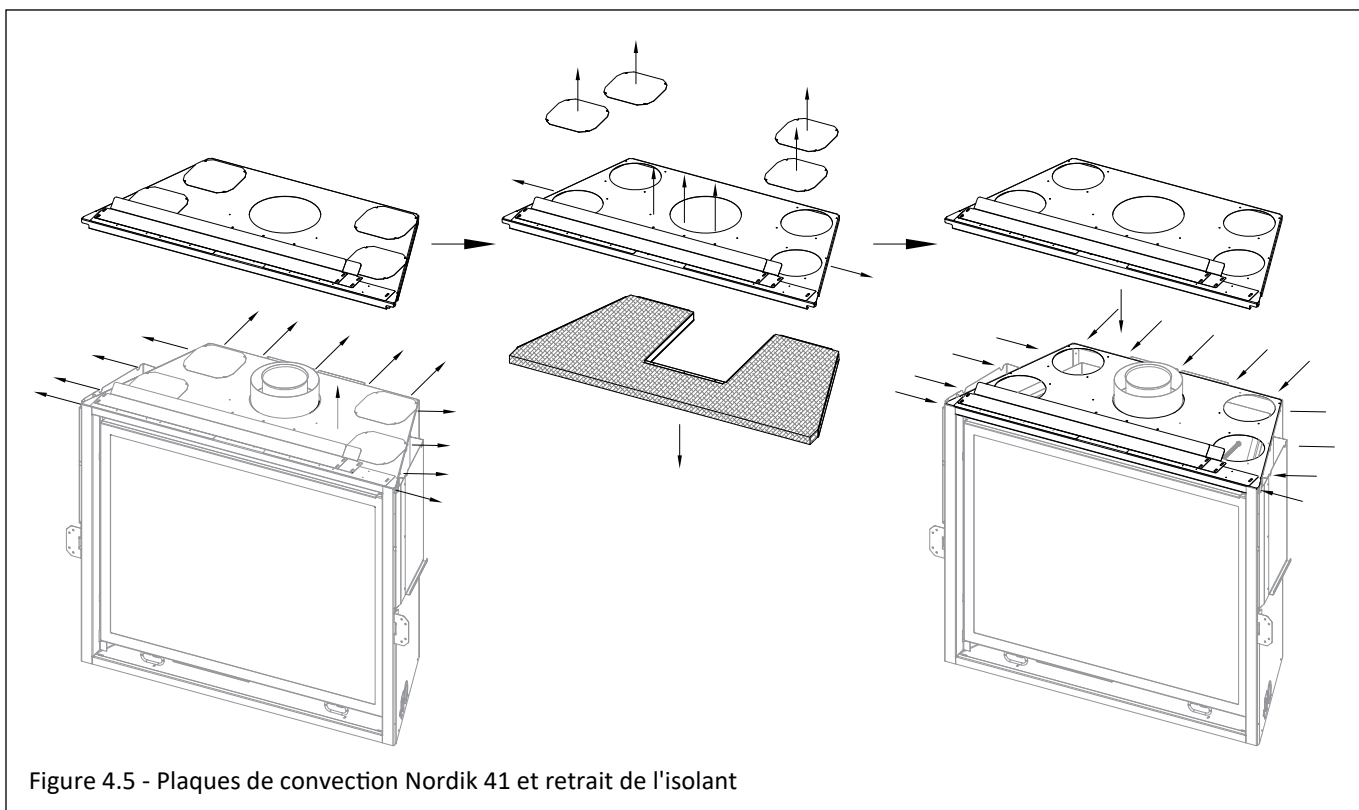


Figure 4.5 - Plaques de convection Nordik 41 et retrait de l'isolant

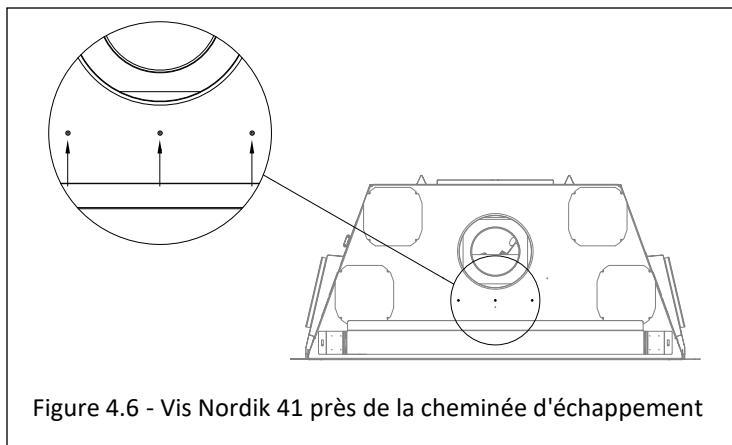


Figure 4.6 - Vis Nordik 41 près de la cheminée d'échappement

6. Installez l'assemblage de l'entretoise sur le dessus de l'appareil. Voir Figure 4.4. Retirez et conservez les (4) vis fixant les écrans thermiques et les supports de l'entretoise sur le dessus du foyer. Formez chaque support de l'entretoise supérieur en pliant les perforations, comme illustré. Alignez les trous dans les entretoises supérieures formées avec les trous dans le dessus du foyer. Fixez-les avec les (4) vis précédemment retirées ainsi que les (4) vis situées sur le dessus du foyer.
 7. Formez des écrans thermiques de l'entretoise comme indiqué. La bride sera orientée vers le haut et vers l'arrière du foyer. Alignez les écrans thermiques de l'entretoise avec les trous des supports de l'entretoise supérieurs. Fixez avec les (8) vis fournies dans le paquet des composants du foyer.
 8. Installez le(s) plénum(s) dans l'ouverture brute du cadre en maintenant les dégagements minimaux aux matériaux combustibles comme indiqué (voir les pages précédentes). Fixez le plénum à l'encadrement à l'aide de clous ou de vis à travers le support de montage supérieur.
- REMARQUE : Les supports de montage ne sont pas conçus pour supporter le poids du plénum et des tuyaux. Fournir un support au-dessous du plénum et s'assurer que le plénum est de niveau et que sa sortie n'est pas déformée.
9. Utilisez un cerclage métallique (tout autour, non fourni) selon les besoins pour fixer davantage le plénum à l'encadrement.
 10. Fixez la tuyauterie de tous les (4) colliers de ventilation du plénum à tous les (4) colliers de ventilation du foyer. Si vous montez le plénum à 10 pi ou moins au-dessus du foyer, utilisez (1) kit #KZK-410 ou un conduit d'air approuvé UL-181 Classe 0. Si vous installez le plénum entre 10 pi et 20 pi au-dessus du foyer, vous aurez besoin de (2) kits #KZK-410 et d'un conduit d'air approuvé #KZK-CPL ou UL-181 classe 0.
 11. Une pente ascendante doit être maintenue dans les sections horizontales des tuyaux pour une bonne convection. Soutenir les sections horizontales tous les 24 pouces.
 12. Installez les grilles d'aération de 15-3/8 po x 7-3/4 po fournies avec le kit à l'aide de (2) vis.

Si vous désirez, la grille d'aération peut être peinte. Utilisez de la peinture haute température (250°F).

Continuez avec l'installation du foyer.

IMPORTANT : Les modèles B41-PSF2 et B41-FRSF2 (Figure 3.1) sont **UNIQUEMENT** approuvés pour une utilisation lorsque le Nordik 41 DV est installé avec le #KZK-038. Les (4) autres barrières de sécurité illustrées à la figure 3.2 sont approuvées dans tous les scénarios d'installation.

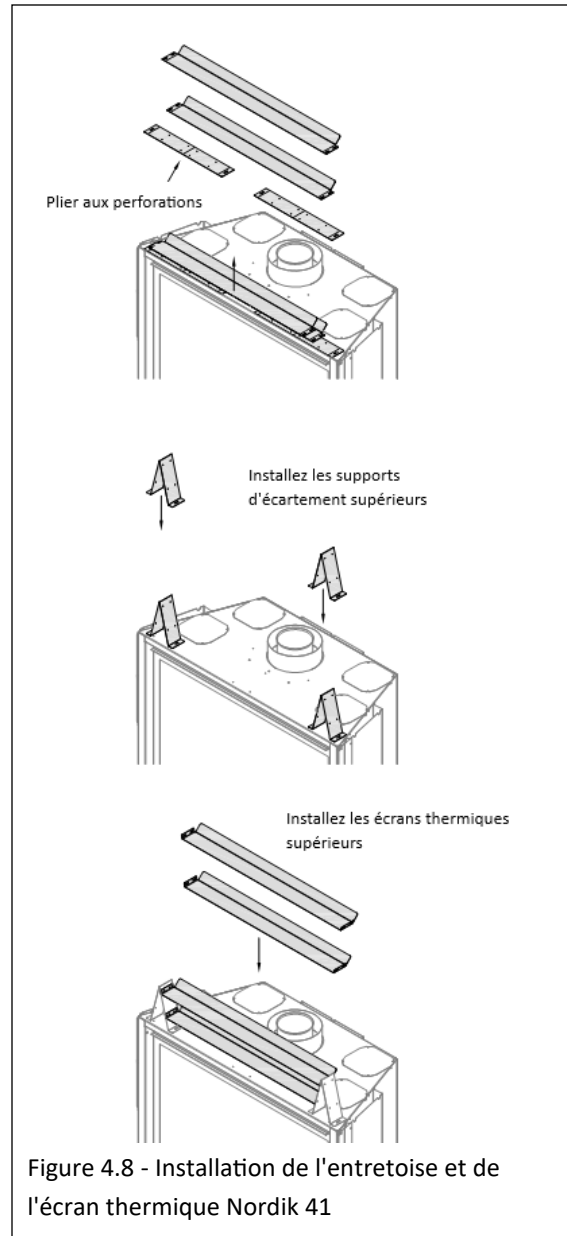


Figure 4.8 - Installation de l'entretoise et de l'écran thermique Nordik 41

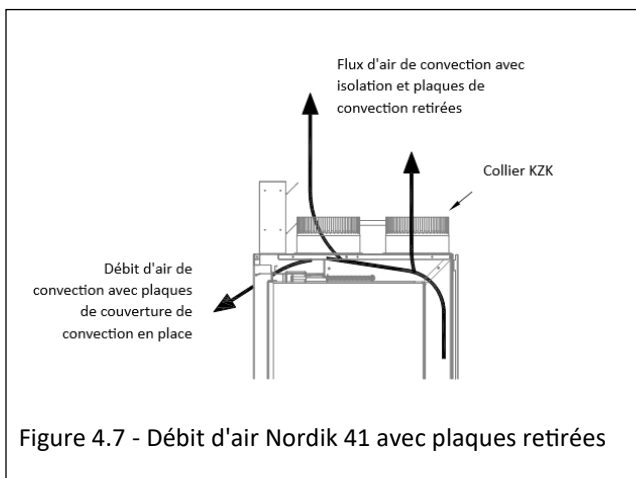


Figure 4.7 - Débit d'air Nordik 41 avec plaques retirées

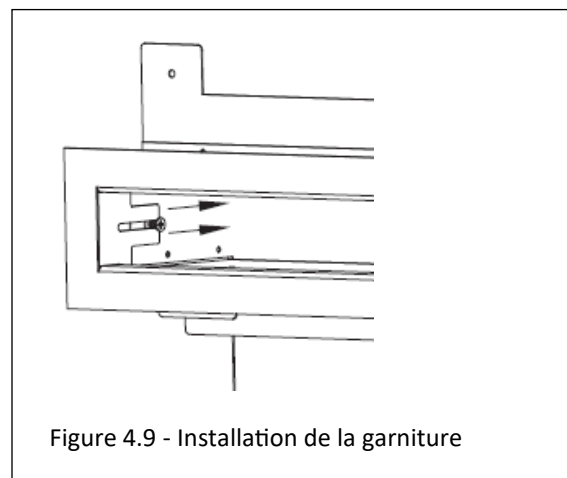


Figure 4.9 - Installation de la garniture