



NÔRDIK SERIES

GAS 48DV, 41DV & 36DV



Nordik 36DV with black glass panels, a full rectangle screen front and a Komfort Zone Kit

KOZY  HEAT
FIREPLACES



Nordik 48DV with black brick refractory and an arched mission screen front in vintage bronze



Nordik 41DV with black brick refractory and a rectangle mission front in vintage bronze



Nordik 36DV with black glass panel refractory, and a prairie vented screen front

NÔRDIK SERIES

Refractory/Panel Options



Black Glass with Birch Logs



Ledgestone with Traditional Logs



Herringbone with Traditional Logs



Chicago Brick with Birch Logs








Black Brick with Traditional Logs

Remote Control Option



Remote control features:

-  Thermostat function
-  Top Light Kit: Modulation
Ember Bed: On/Off
-  Flame height modulation
-  IPI to continuous pilot
-  Fan speed modulation

NÔRDIK SERIES

Nordik 48DV, 41DV & 36DV Fronts

Nordik 481DV measurements for all fronts are 49" x 41-1/4"

Nordik 41DV measurements for all fronts are 41-3/8" x 34-3/4"

Nordik 36DV measurements for all fronts are 36-3/8" x 32-1/4"



Mission Screen Front in Vintage Bronze



Arched Mission Screen Front in Vintage Bronze



Prairie Screen Vented Front in Black



Rectangle Screen Vented Front in Black



Prairie Screen Front in Black

Approved for the Komfort Zone Kit Installations Only



Full Rectangle Screen Front in Black

*Comes in Black, Brushed Stainless, or Antique Copper
Approved for the Komfort Zone Kit Installations Only*

NÔRDIK SERIES

Specifications

Model	Nordik 48DV	Nordik 41DV	Nordik 36DV
Height	41"	34-1/2"	32"
Width	47-5/8"	40-3/4"	35-3/4"
Back Width	33-1/4"	27-1/4"	22-1/4"
Depth	21-3/8"	20"	19-1/2"
Weight	315 lbs	235 lbs	215 lbs
Viewing Area	44-1/2" x 35-3/8"	37-5/8" x 29-3/8"	32-5/8" x 26-7/8"
BTU NG High / Low	48,000 / 32,000	40,000 / 22,000	35,000 / 18,000
BTU LP High / Low	48,000 / 39,000	40,000 / 21,000	35,000 / 18,000
ENERGUIDE P.4 NG / LP	74.07% / 71.26%	70.84% / 70.94%	70.41% / 71.57%
Steady State NG / LP	74.23% / 71.29%	72.37% / 71.59%	71.12% / 74.02%
AFUE % NG / LP	75.05% / 72.31%	72.00% / 72.27%	71.71% / 72.99%
Valve System	IPI	IPI	IPI
Fan Kit	Included	Included	Included
Top Light Kit	Included	Included	Included
Ember Bed Light Kit	Included	Included	Included
Screen Front	Required	Required	Required
Standard Media Options	Traditional Logs	Traditional Logs	Traditional Logs
Optional Media Options	Birch Logs	Birch Logs	Birch Logs
Horizontal Power Vent	Optional	Optional	Optional

Features, Options & Specifications are subject to change.

Each unit factory tested

Certified to ANSI Z21.88 Vented Gas Heaters

Heat Management Options

Model	Nordik 48DV	Nordik 41DV	Nordik 36DV
Komfort Zone Kit*	Optional	Optional	Optional

*Front Plenum only. No Side Plenum

Clearances | Without Komfort Zone Kit

Model	Nordik 48DV	Nordik 41DV	Nordik 36DV
Minimum height of the fireplace enclosure	80"	76"	72"
Base of the fireplace to ceiling	80"	76"	72"
Fireplace top to ceiling	39"	41-1/2"	40"
Fireplace from stand off brackets	0"	0"	0"
From fireplace corners	1"	1/2"	1/2"
From fireplace front	36"	36"	36"
Fireplace sides to adjacent sidewall	1"	3/4"	3/4"
Fireplace top to 3/4" mantel trim	9"	6-1/2"	8"
Mantel 6" deep from fireplace top	12-1/2"	10"	11-1/2"

Clearances | With Komfort Zone Kit

Model	Nordik 48DV	Nordik 41DV	Nordik 36DV
Mantel 6" deep from fireplace finishing edge:	0"	0"	0"
Mantel 6" deep from fireplace enclosure floor:	41-3/4"	34-1/2"	32"

Refer to the installation manuals for complete installation & venting requirements. See additional mantel clearance configurations in the installation manual.

Vent System Approval & Requirements

- BDM™
- American Metal™ Products (Amerivent)
- Metal Fab™
- Olympia™
- ICC™
- Simpson Dura-Vent™
- Selkirk

Elbows: For each additional 90° elbow used after the first elbow, 3' must be subtracted from the maximum venting allowed. For each additional 45° elbow used after the first elbow, 1½' must be subtracted from the maximum venting allowed.

Note: (2) 45° elbows = (1) 90° elbow.

Nordik 36DV

Approved 4 x 6 venting standard
Approved for Class A / Masonry Chimney conversion kits
Approved for coaxial to colinear 3 x 3 venting

Nordik 41DV

Approved 5 x 8 venting standard
Reduces down 4 x 6-5/8
Approved for Class A / Masonry Chimney conversion kits

Nordik 48DV

Approved 5 x 8 venting standard
Reduces down 4 x 6-5/8
Approved for Class A / Masonry Chimney conversion

Horizontal Terminations

36DV

Minimum: 12" vertical vent pipe + 90° horizontal elbow + termination cap
Maximum: 25' maximum vertical + 90° horizontal elbow + 25' maximum horizontal + termination cap.

41DV

Minimum: 12" vertical vent pipe + 6" vertical vent pipe + 90° horizontal elbow + termination cap
Maximum: 25' vertical pipe + 90° elbow + 25' maximum horizontal + termination cap

48DV

Minimum: 12" vertical vent pipe + 90° horizontal elbow + termination cap
Maximum: 25' maximum vertical + 90° horizontal elbow + 25' maximum horizontal + termination cap.

Vertical Terminations

Minimum: 3' + vent cap
Maximum: 50' + vent cap

Burn Videos



Nordik 48DV Birch



Nordik 48DV Log



Nordik 41DV



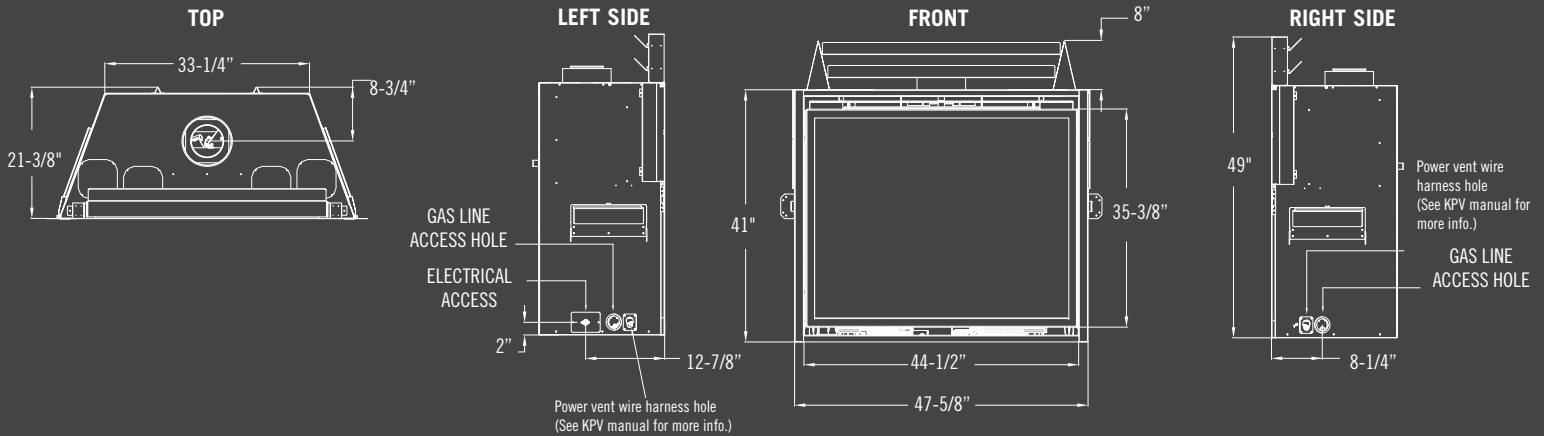
Nordik 36DV

NÔRDIK SERIES

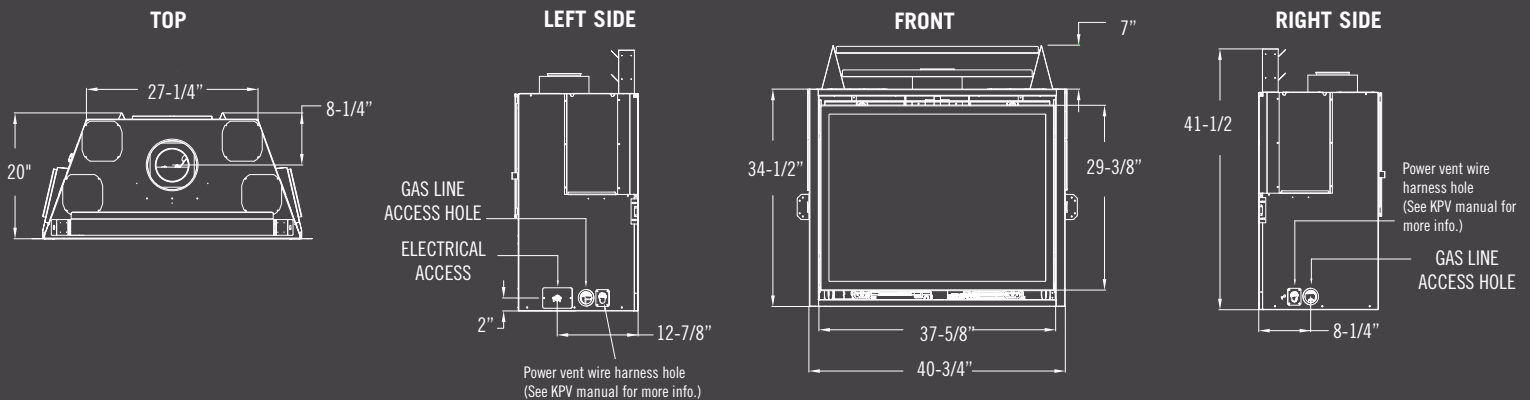
Specifications

Fireplace brochures are for advertising purposes only.
Refer to the specific fireplace manual for installation.

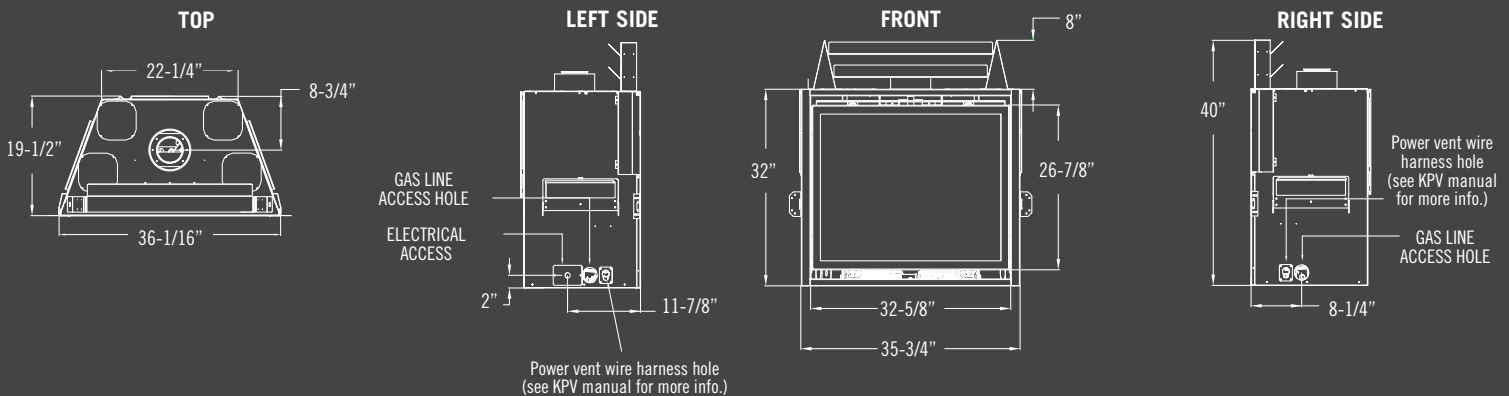
Nordik 48DV



Nordik 41DV



Nordik 36DV



In order to continually provide the highest quality product available, features/options, specifications, & dimensions are subject to change. Flame appearance and characteristics may be affected by altitude, fuel type, venting configuration, and other factors. Refer to the unit installation manual for complete installation instructions. Installation must conform with local building codes. **In some regions it may be possible that this appliance qualifies for an energy rebate. See your local dealer for details regarding promotions and qualifications.**

Manufactured by Hussong Mfg. Co., Inc.
204 Industrial Park Road, Lakefield, MN 56150
Phone 1-800-253-4904 www.kozyheat.com 1-24



Product Line:



For complete information on the Kozy Heat product line, please contact us at:

FOR CALIFORNIA RESIDENTS ONLY

⚠ California Proposition 65 Warning

WARNING: This product can expose you to chemicals including Carbon Monoxide, that is an externally vented by-product of fuel combustion, which is [are] known to the State of California to cause birth defects or other reproductive harm. For more information, visit www.P65Warnings.ca.gov.