

U44 OUTDOOR FIREPLACE

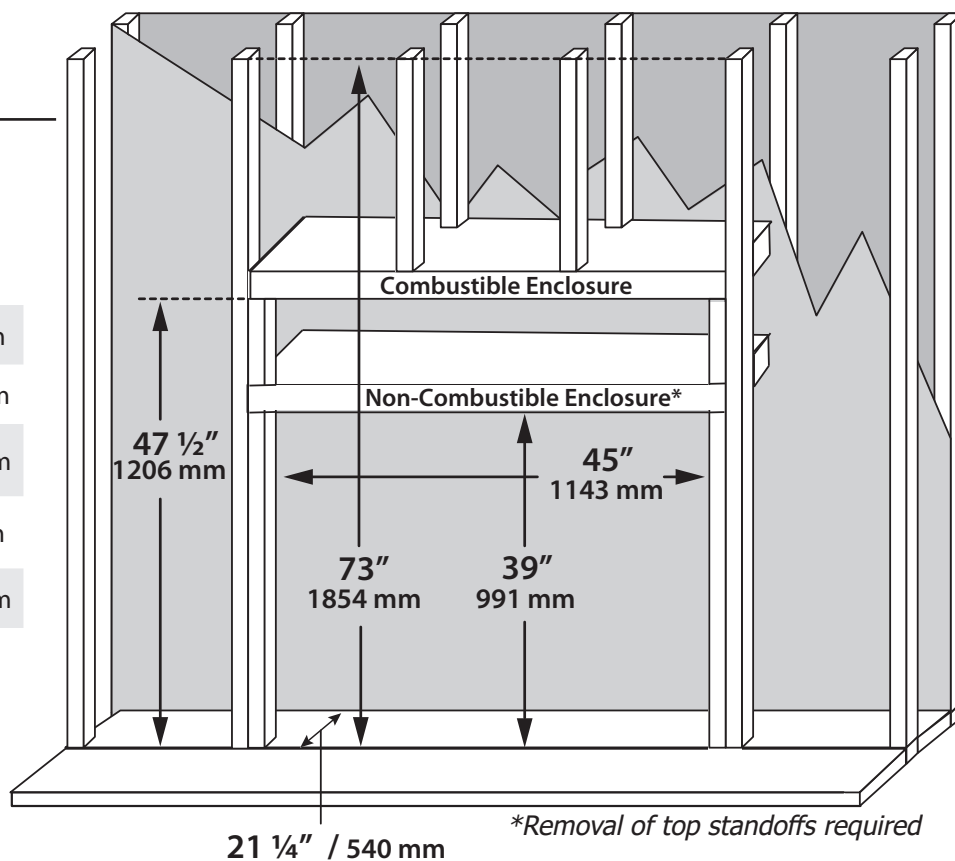
Installation Reference Guide

REFER TO OWNER'S MANUAL FOR SPECIFIC INSTALLATION REQUIREMENTS AND ADDITIONAL PRODUCT INSTRUCTIONS

Minimum Framing Dimensions

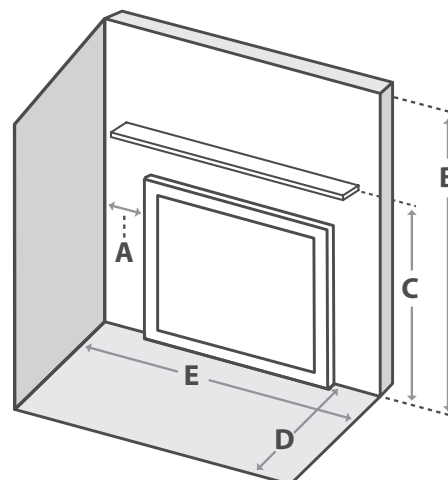
Note: When framing the unit, care must be taken to consider the final hearth thickness, the bottom of the fireplace must sit flush with the hearth

Minimum Depth	21 1/4"	540 mm
Width	45"	1143 mm
Enclosure Height (Combustible)	47 1/2"	1206 mm
Enclosure Height (Non-Combustible)	39"	991 mm
External Ceiling†	73"	1854 mm



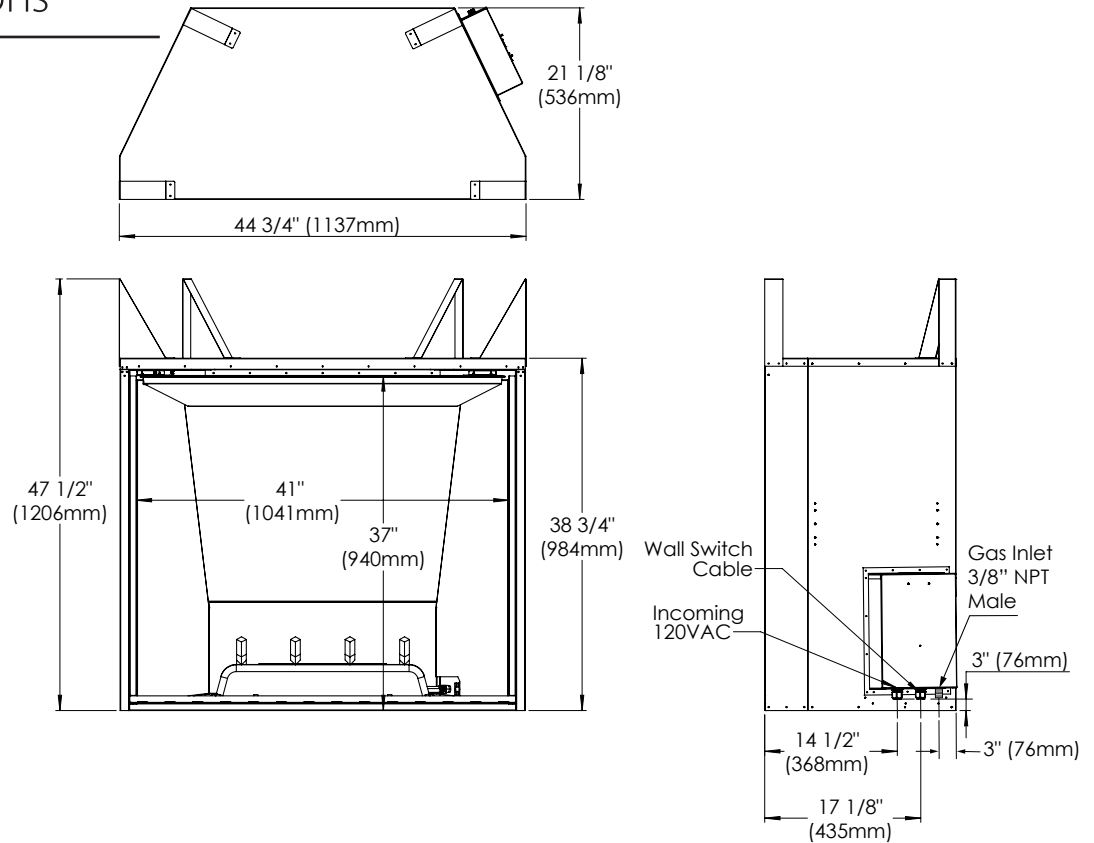
Clearance to Combustibles

A - Finishing edge to side wall†	12"	305 mm
B - Minimum clearance to external ceiling†	73"	1854 mm
C - Minimum clearance to combustible mantel height	62"	1575 mm
D - Front of door to edge of floor protection	0"	0 mm
E - Minimum alcove width†	65"	1651 mm



†Larger clearance required if vinyl siding is used. See Owner's Manual for more details.

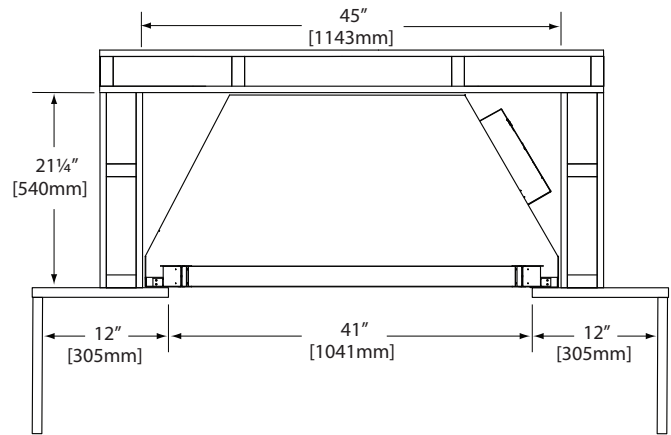
Fireplace Dimensions



Placement & Framing

Some considerations prior to picking a location:

- Confirm the desired location has adequate ventilation/air flow.
- Avoid areas where running water or flooding could pose an issue.
- Avoid areas susceptible to direct high winds. High wind will cause the flame to behave erratically and potentially cause a pilot or burner outage. This flame behaviour will also leave undesired black soot on the log set and side liners.
- Any outdoor furnishings must be kept a minimum of 3ft (0.9m) away from the front of the fireplace.

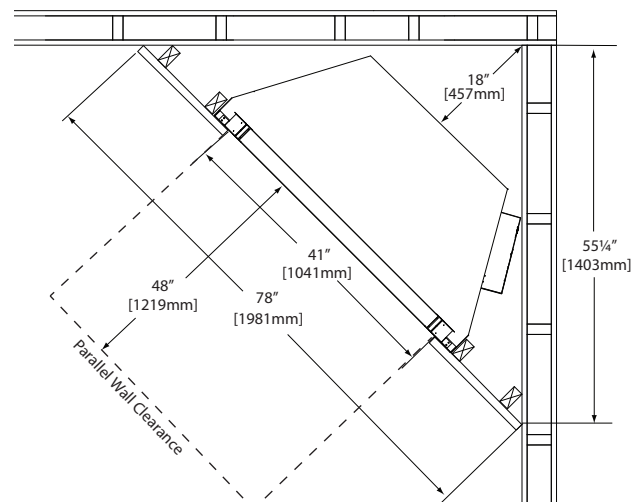


Square / Alcove Installation

Permitted Locations

- 4 walls (1 with a permanent opening at ground level) and no overhead cover.
- Overhead cover with no more than 2 sidewalls either perpendicular to each other or parallel (breezeway).
- Overhead cover with 3 sidewalls constructed with at least 30% of each wall's area open and unrestricted.

Note: See Owner's Manual for further information regarding installation restrictions



Corner Installation

Non-Combustible Board Placement

FACING ABOVE FIREPLACE*: Non-combustible material is required a minimum 12" (305mm) above the fireplace opening. An outdoor rated sealant is required along the exposed edge. **Vinyl siding is not permitted between the fireplace opening and the external ceiling/overhang.**

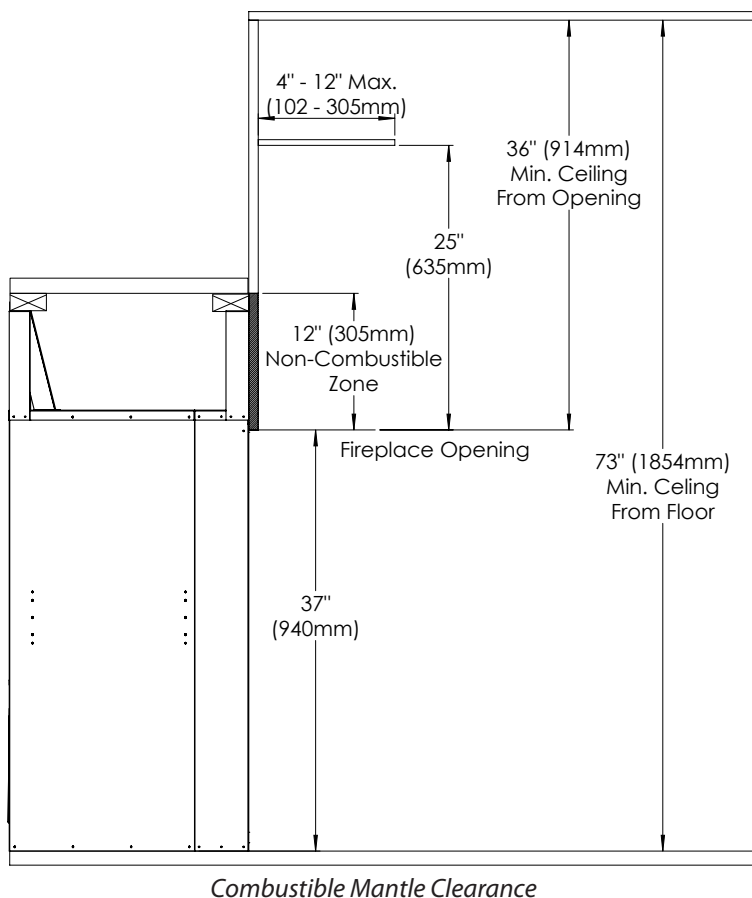
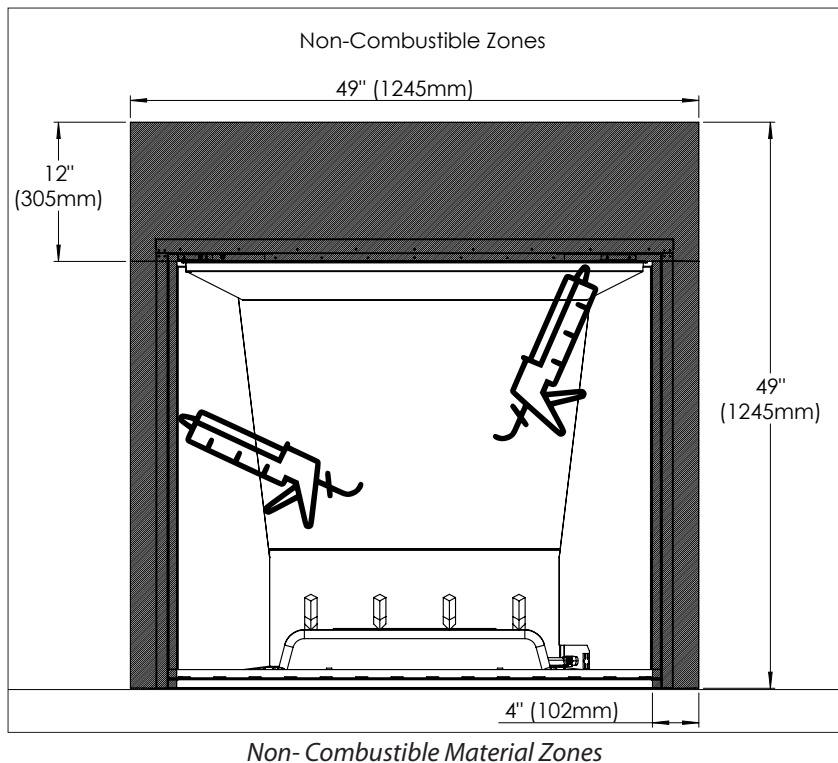
FACING BESIDE FIREPLACE*: Non-combustible material, a minimum of 4" (102mm) wide, is required down each side of the fireplace opening.

*An outdoor high temperature sealant rated to 350°F (176°C) is required along the exposed edges of the non-combustible materials and the fireplace to prevent water/moisture from entering the enclosure.

HEADER: The header can be made of wood 2x4 construction at or above the top standoffs. If standoffs have been removed, for a lower non-combustible enclosure height, steel studs (not supplied) must be used.

BELOW FIREPLACE: It is recommended the appliance sit a solid and level surface.

NON-COMBUSTIBLE MATERIALS: Any construction or finishing material that is tested to ASTM E136 - Standard Test Method for Behaviour of Materials in a Vertical Tube Furnace at 750°C. Examples of non-combustible materials are steel, stone, ceramic tiles, HardieBacker® cement board etc. **Fire rated drywall (Type X) is not an acceptable replacement for non-combustible material.**



Mantel Clearances

The figures below show the minimum required heights for both combustibile and non-combustibile mantles. Maximum finished mantle depth cannot exceed 12" (305mm). **If you plan to install a TV above your fireplace a recess and non-combustibile mantle must be used.** See owner's manual for more details.

