

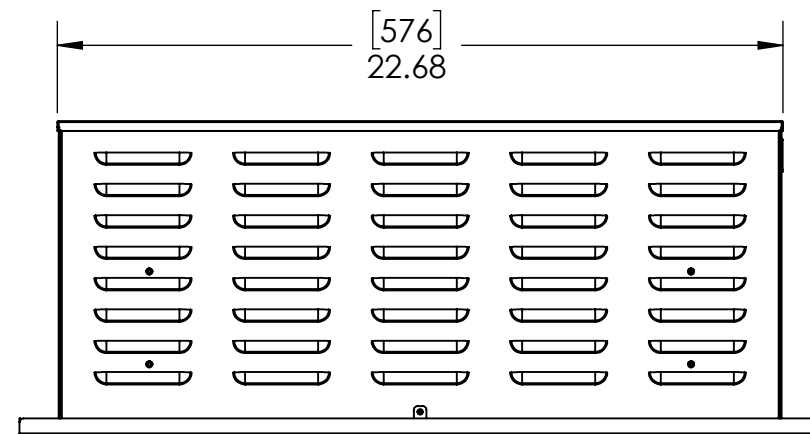
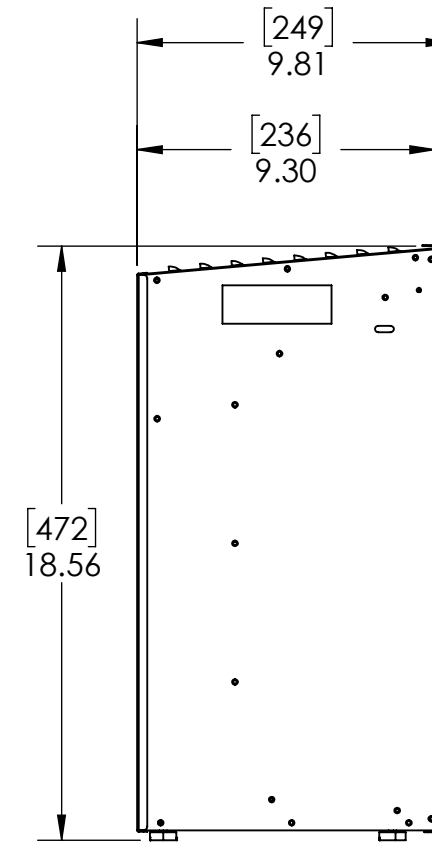
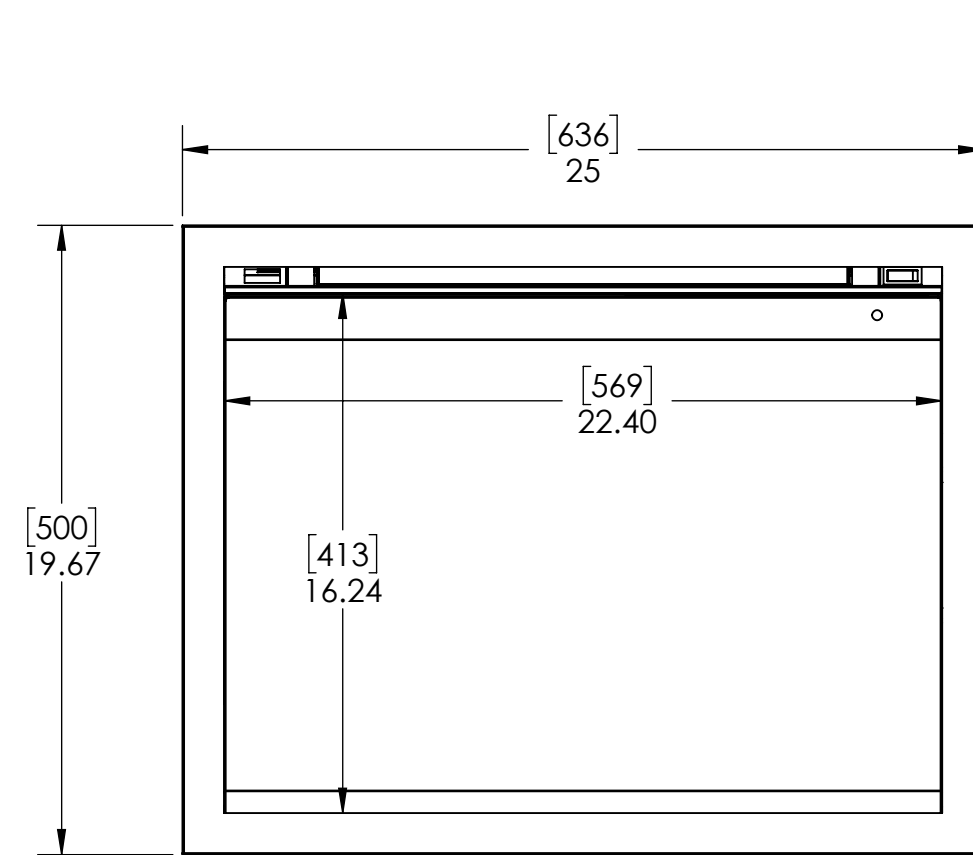
4

3

2

1

REVISIONS				
ZONE	REV.	DESCRIPTION	DATE	APPROVED



UNLESS OTHERWISE SPECIFIED:		NAME	DATE	<b>RPG BRANDS</b> TITLE: 26" ORION TRADITIONAL
DIMENSIONS ARE IN INCHES		DRAWN	D.FASZER 1/23/23	
TOLERANCES:		CHECKED		
FRACTIONAL ±		ENG APPR.		
ANGULAR: MACH ±1° BEND ±1°		MFG APPR.		
TWO PLACE DECIMAL ±.010		Q.A.		
THREE PLACE DECIMAL ±.005		<b>PROPRIETARY AND CONFIDENTIAL</b> THE INFORMATION CONTAINED IN THIS DRAWING IS THE SOLE PROPERTY OF RICHARDSON'S PRODUCT GROUP. ANY REPRODUCTION IN PART OR AS A WHOLE WITHOUT THE WRITTEN PERMISSION OF RICHARDSON'S PRODUCT GROUP IS PROHIBITED.		
INTERPRET GEOMETRIC TOLERANCING PER:		SIZE	DWG. NO.	REV
MATERIAL		<b>B</b>	OR26-TRAD	X01
FINISH		SCALE: 1:6	WEIGHT:	SHEET 1 OF 1
DO NOT SCALE DRAWING				

4

3

2

1

B

B

A

A