



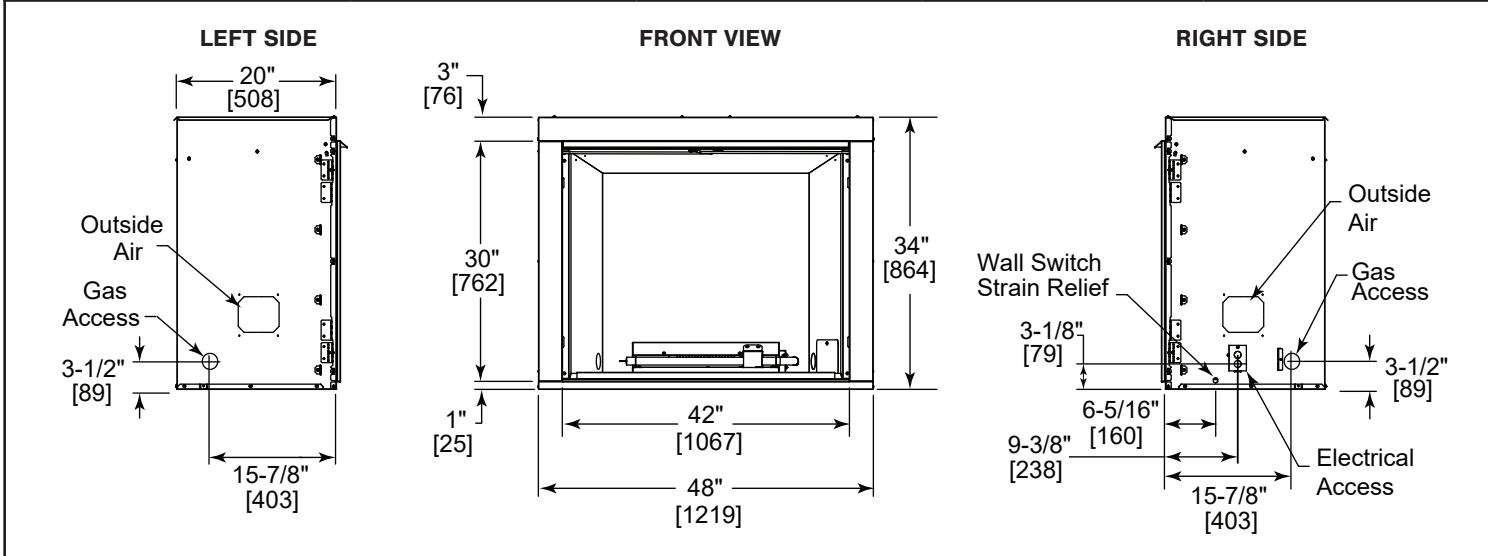
COURTYARD 42"

Outdoor Gas Fireplace

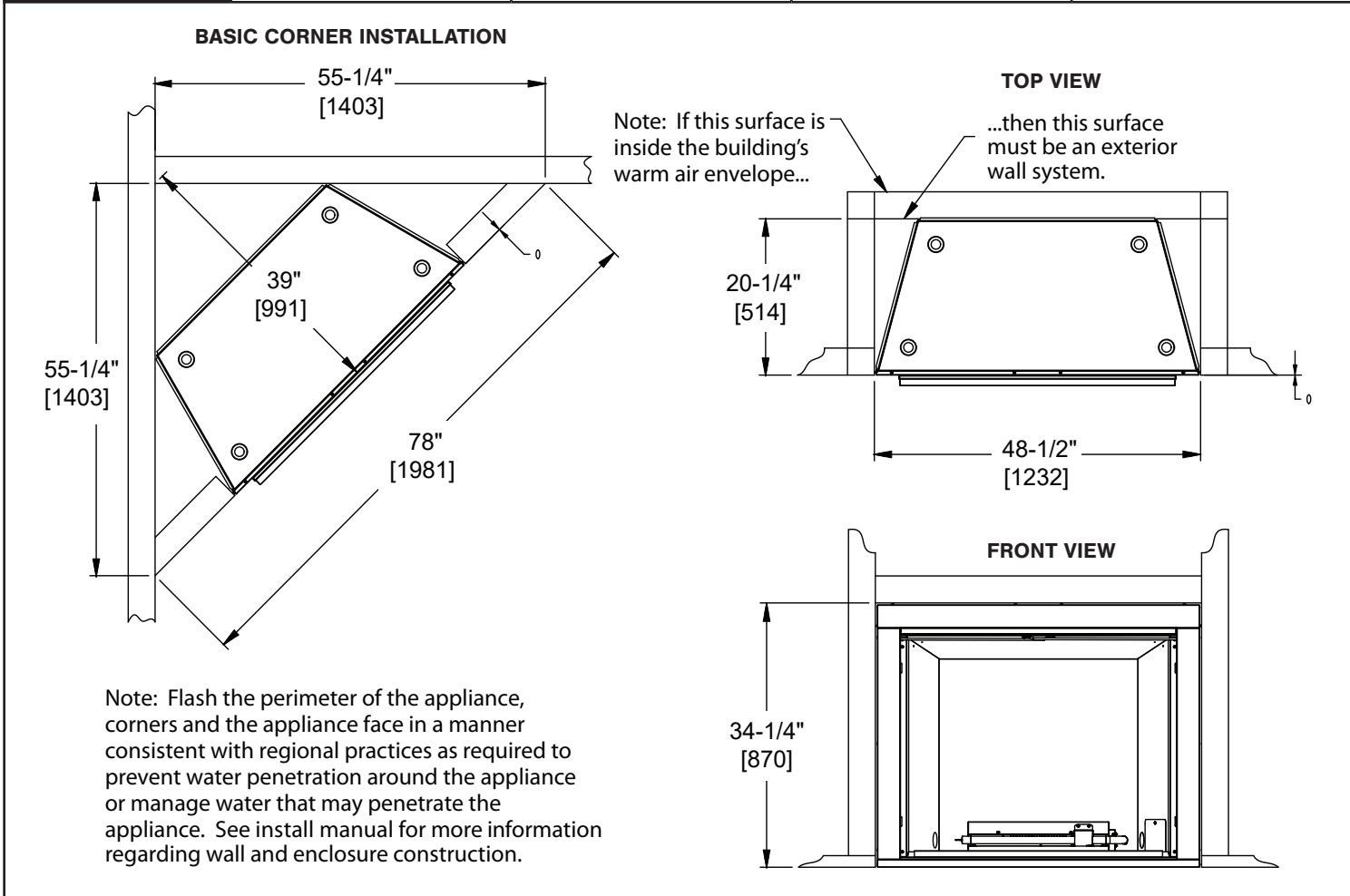
Scan QR code for installation manual for final dimensions and requirements.



ACTUAL DIMENSIONS	FRONT WIDTH	HEIGHT	DEPTH	FIREBOX OPENING
	42" [1067]	34" [864]	20" [508]	42" x 30" [1067 X 762]



FRAMING DIMENSIONS	FRONT WIDTH	HEIGHT	DEPTH	WEIGHT
	48-1/2" [1232]	34-1/4" [870]	20-1/4" [514]	95 LBS [43 KGS]



APPLIANCE LOCATION

30% (or .30) of the outdoor living space periphery needs to be open.

- Add lengths of the outside living space.
 $16' + 20' + 16' + 20' = 72'$
- Divide the open area length by the total outdoor living space.
 $20/72 = .28$

.28 is less than the .30 required and therefore this installation would not be approved.

- Add lengths of the outside living space.
 $12' + 20' + 12' + 20' = 64'$
- Divide the open area length by the total outdoor living space.
 $20/64 = .31$

.31 is greater than the .30 required and therefore this installation would be approved.

CLEARANCES TO COMBUSTIBLES

NOTICE: Vinyl siding must not be placed between the appliance opening and the ceiling/overhang.

Combustible flooring may be installed next to the front of the appliance.

Perpendicular

MANTEL AND WALL PROJECTIONS

Unit

6.00"

Gray area is combustible material

Minimum Side Wall

9.00"

White area is non-combustible material only

12.00"

COMBUSTIBLE/NONCOMBUSTIBLE MANTELS

18 in. Maximum

23 in.

14 in.

3 in. Min. (Combustible Mantle)

Measured from top of appliance opening

Gray area is combustible material

White area is non-combustible material

Seal joint with non-combustible sealant to prevent heat from being drawn into the wall cavity.

Minimum Vertical and Maximum Horizontal Dimensions of Combustible and Noncombustible

Note: Reducing clearances further requires non-combustible construction materials (eg: steel studs, durock, etc) to a height of 12 inches above the framing height.

PRODUCT LISTING CODES	
US	UL127
CAN	ULC-S610-M87