

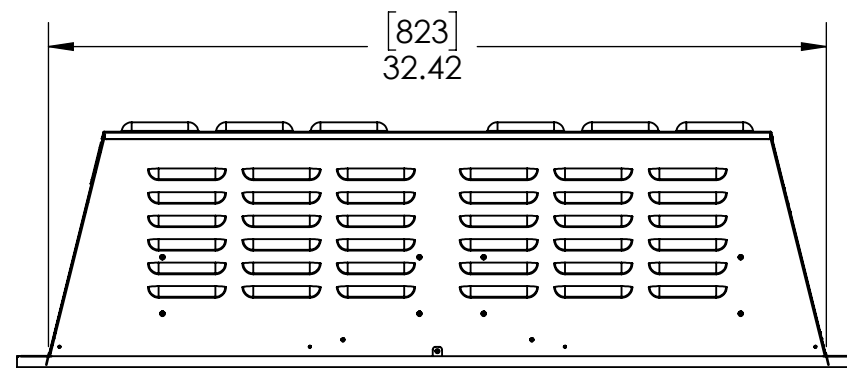
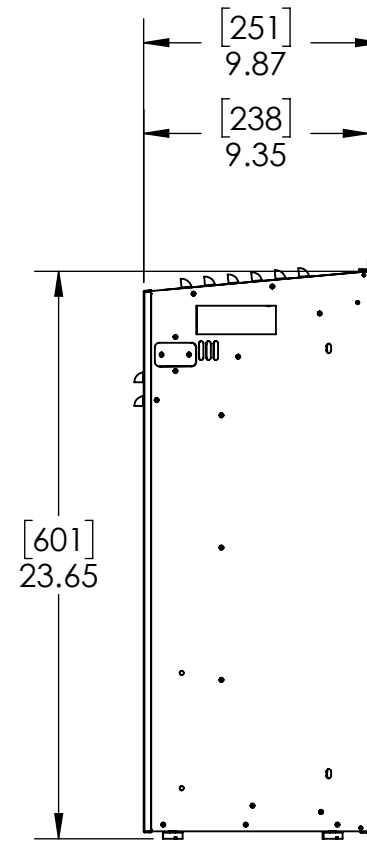
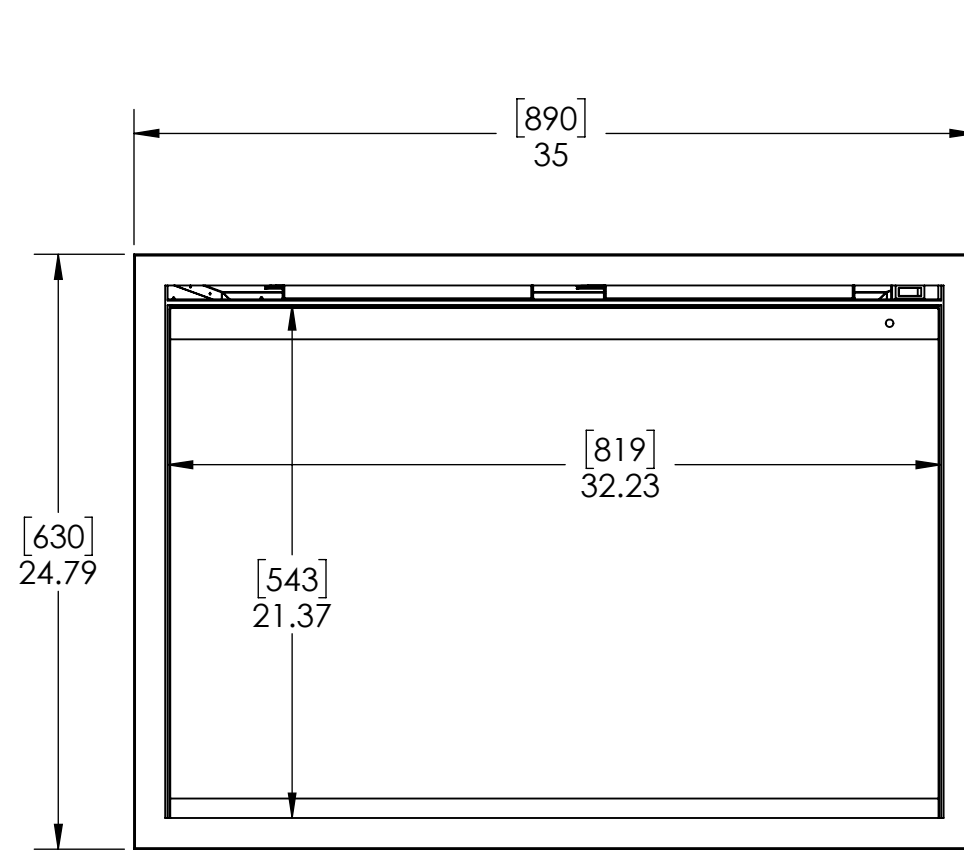
4

3

2

1

REVISIONS				
ZONE	REV.	DESCRIPTION	DATE	APPROVED



UNLESS OTHERWISE SPECIFIED:		NAME	DATE	RPG BRANDS			
DIMENSIONS ARE IN INCHES		DRAWN	D.FASZER			1/23/23	
TOLERANCES:		CHECKED			TITLE: 36" ORION TRADITIONAL		
FRACTIONAL ±		ENG APPR.					
ANGULAR: MACH ±1° BEND ±1°		MFG APPR.					
TWO PLACE DECIMAL ±.010		Q.A.					
THREE PLACE DECIMAL ±.005		PROPRIETARY AND CONFIDENTIAL THE INFORMATION CONTAINED IN THIS DRAWING IS THE SOLE PROPERTY OF RICHARDSON'S PRODUCT GROUP. ANY REPRODUCTION IN PART OR AS A WHOLE WITHOUT THE WRITTEN PERMISSION OF RICHARDSON'S PRODUCT GROUP IS PROHIBITED.			SIZE	DWG. NO.	REV
INTERPRET GEOMETRIC TOLERANCING PER:					B	36-TRAD	X01
MATERIAL					SCALE: 1:8	WEIGHT:	SHEET 1 OF 1
FINISH							
DO NOT SCALE DRAWING							

4

3

2

1

B

B

A

A