

# TRU-VIEW BESPOKE

ELECTRIC FIREPLACE

*Amantii*



TRV55-Bespoke



TRV75-Bespoke



Double TRV45-Bespokes connected



TRV45-Bespoke



TRV65-Bespoke

# TRU VIEW BESPOKE

## ELECTRIC PERFECTION

Introducing the Tru View Bespoke series from Amantii Electric, the ultimate in electric fires, using cutting edge technology and innovation to provide instant heat, realistic flames and adaptive ambiance to your living space.

The Tru View Bespoke is the outstanding result of extensive research and development, meticulous attention to detail, and the highest standard of quality. With a host of innovative features, our electric fires are unrivalled in their class.

**A versatile design that can be installed in a multitude of ways; why not connect multiple units to make a bold statement.**

Unlike other fireplaces, the Tru View Bespoke features customizable installation and connectable units for a grand masterpiece. With the fireplace, optional connection pieces come included.

**Instant heat at your fingertips.**

Part of the Tru View Bespoke design is to ensure that the fireplace offers clear and simple control-ability. While functionality may have advanced and become more dynamic, we believe intuitive interaction is paramount.

The Tru View Bespoke can be controlled in three ways:

- Manually using the multi function control panel discretely located on the fireplace.
- With the intuitive remote control
- Through your smart device using WiFi connectivity.

With WiFi connectivity, enhance your experience with our smart app that enables you to control your fireplace from anywhere! The app allow you to set tailored programs, schedule on/off times, set temperatures, design custom light effects and so much more.

## ADDITIONAL FEATURES

- Available in sizes 45", 55", 65", 75" and 85"
- Biggest and the Best - 20" Viewing area
- Double the heat output from 5000 to 10,000, when two units are joined together on 120V
- TRV 45 comes with 1 heater fan, Max 5000 BTU on 120 or 240V
- The TRV 55, 65, 75 & 85 come with 2 heater fans, Max 5000 BTU on 120V, or 10,000 BTU on 240V
- Electrical & BTU
  - 120V, 1500W, 12.5 A and 5,000 BTU
  - 240V, 2500W, 10.4 A and 10,000 BTU
  - 2 units together 240V, 20,000 BTU

## KEY FEATURES

- 5 Year Warranty
- Fire & Sound – Two (2) quality audio speakers deliver a fire crackling sound. The audio is an ON/OFF feature that can be controlled through the WiFi app.
- WiFi compatible to connect and control the fireplace from your smartphone with the use of our app. Available on the Google play store and the Apple App Store.
- Bluetooth Connectivity – Featuring a fireplace with high quality audio from Bluetooth speakers. Simply pair your phone with the fireplace and press play on your smartphone.
- Programmable timer & thermostat allows you to decide the temperature of the room. Set the fireplace to turn on before you arrive home or have it automatically turn on when the weather is cold.
- Smart Room Temperature Control - 59°F - 82°F or 15°C - 28°C
- 1465W 5000 BTU, heats up to 500 Sq. Ft. May also be wired up to 220 volts to increase the BTU output to 10,000 and heats up to 1,000 Sq. Ft.
- 50000 hours lifetime LED light source
- Approved for Outdoor Installations\*
- Designed with front flow heating and hidden venting so that the unit can be recessed or semi flush mounted
- A clean reduced trim kit allows for a large viewing area with true lifelike flames that can not be rivaled.
- Adjustable flame brightness and speed that can be turned on separately.
- Adjustable ember bed colors that allow for the possibility of auto mixing thousands of colors.
- Most quiet and reliable components in the industry
- Patented thermostatic remote comes included
- Masonary finish to trim option



## INCLUDED ACCESSORIES



## FIREGLASS MEDIA



## YOUR CHOICE:

### DESIGN-MEDIA-DRIFT-15PCE

Now includes an additional 4 mini logs (Not Shown)



### DESIGN-MEDIA-RUSTIC-14PCE



### ICE MEDIA



FI-109-Diamond

### DESIGN-MEDIA-BIRCH-15PCE



### DESIGN-MEDIA-SPLIT-LOG-16PCE



NEW

### DESIGN-MEDIA-OAK-18PCE OPTIONAL



NEW

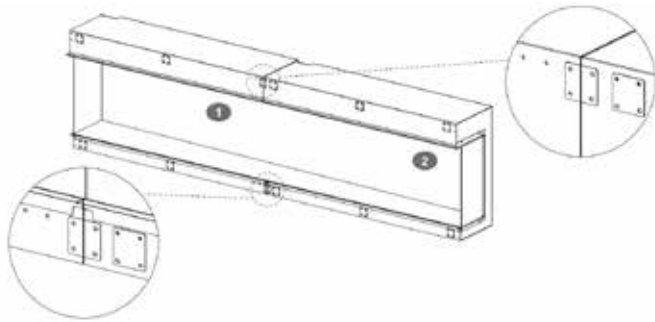


## THE COMBINATION POSSIBILITIES ARE ENDLESS

It is possible to make multiple sizes by simply placing two or three units together of any size. A linear fireplace of 90" can be created by joining two 45" Tru View Bespoke units together.

Combine a 55" and 65" Tru View Bespoke for 120". Combining two units of 75" would be a custom 150" electric fireplace. A Tru View Bespoke linear fireplace of 185" would consist of two 55" and one 75" unit.

Anything can be combined, and the possibilities are endless



45+45 = 90  
 45+55 = 100  
 45+65 = 110  
 45+75 = 120  
 45+85 = 130

75+45 = 120  
 75+55 = 130  
 75+65 = 140  
 75+75 = 150  
 75+85 = 160

55+45 = 100  
 55+55 = 110  
 55+65 = 120  
 55+75 = 130  
 55+85 = 140

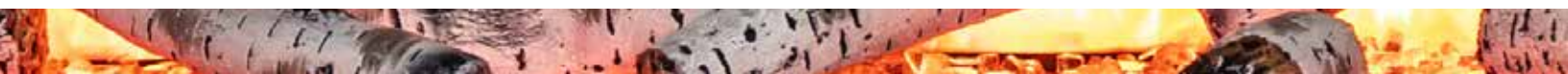
85+45 = 130  
 85+55 = 140  
 85+65 = 150  
 85+75 = 160  
 85+85 = 170

65+45 = 110  
 65+55 = 120  
 65+65 = 130  
 65+75 = 140  
 65+85 = 150



### TECHNICAL SPECS

	TRV 45 BESPOKE	TRV 55 BESPOKE	TRV 65 BESPOKE	TRV 75 BESPOKE	TRV 85 BESPOKE
Volts	120 V	120 V	120 V	120V	120 V
Amps	12.5 A	12.5 A	12.5 A	12.5 A	12.5 A
Watts	1500 W	1500 W	1500 W	1500 W	1500 W
BTU	5120	5120	5120	5120	5120
Heater - High	1500 W	1500 W	1500 W	1500 W	1500 W
Heater - Low	750 W	750 W	750 W	750 W	750 W
No Heater	45.2 WATTS MAX	46.3 WATTS MAX	57.1 WATTS MAX	67.7 WATTS MAX	73.1 WATTS MAX
Lamps - Quantity	150 PCS LED	192 PCS LED	218 PCS LED	291 PCS LED	335 PCS LED
Lamps - Watts	0.5 W & 0.15 W & 0.06 W	0.5 W & 0.15 W & 0.06 W	0.5 W & 0.15 W & 0.06 W	0.5 W & 0.15 W & 0.06 W	0.5 W & 0.15 W & 0.06 W
Total Watts	31.4 W	32.3W	43.3 W	54.2 W	59.6 W
Step Motor	3 AT 8.7 WATTS	3 AT 8.7 WATTS	3 AT 8.7 WATTS	3 AT 8.7 WATTS	3 AT 8.7 WATTS
Appliance Size W*H*D	46 1/8" x 29 3/8" x 15"	56 1/8" x 29 3/8" x 15"	66 1/8" x 29 3/8" x 15"	76 1/8" x 29 3/8" x 15"	86 1/8" x 29 3/8" x 15"
	117.2 x 74.6 x 38.2 cm	142.7 x 74.6 x 38.2 cm	168.1 x 74.6 x 38.2 cm	193.5 x 74.6 x 38.2 cm	218.9 x 74.6 x 38.2 cm
Glass Viewing Opening W1*H1	45" x 20"	55" x 20"	65" x 20"	75" x 20"	85" x 20"
	114.3 x 50.9 cm	139.7 x 50.9 cm	165.1 x 50.9 cm	190.5 x 50.9 cm	215.9 x 50.9 cm
Surround Size W2*H2	45 1/4" x 29 5/8" x 13 1/4"	55 1/4" x 29 5/8" x 13 1/4"	65 1/4" x 29 5/8" x 13 1/4"	75 1/4" x 29 5/8" x 13 1/4"	85 1/4" x 29 5/8" x 13 1/4"
	114.8 x 75.2 x 33.6 cm	140.2 x 75.2 x 33.6 cm	165.6 x 75.2 x 33.6 cm	191 x 75.2 x 33.6 cm	216.5 x 75.2 x 33.6 cm
Shipping Size	51 5/8" x 18 7/8" x 34 5/8"	61 5/8" x 18 7/8" x 34 5/8"	71 5/8" x 18 7/8" x 34 5/8"	81 5/8" x 18 7/8" x 34 5/8"	91 5/8" x 18 7/8" x 34 5/8"
	131 x 48 x 88 cm	156.4 x 48 x 88 cm	181.8 x 48 x 88 cm	207.2 x 48 x 88 cm	232.6 x 48 x 88 cm
Shipping Weight	155.5 LBS (70.7) KGS	184.8 LBS (84)KGS	211.2 LBS (96)KGS	245.3 LBS (111.5)KGS	280.5 LBS (127.5)KGS
Plug Location	LEFT SIDE	LEFT SIDE	LEFT SIDE	LEFT SIDE	LEFT SIDE
Cord Length	70.9<L<95.5	70.9<L<95.5	70.9<L<95.5	70.9<L<95.5	70.9<L<95.5
Approx Heating Area	400 SQ FT	400 SQ FT	400 SQ FT	400 SQ FT	400 SQ FT



INTRODUCING...

# THE AMANTII SMART APP

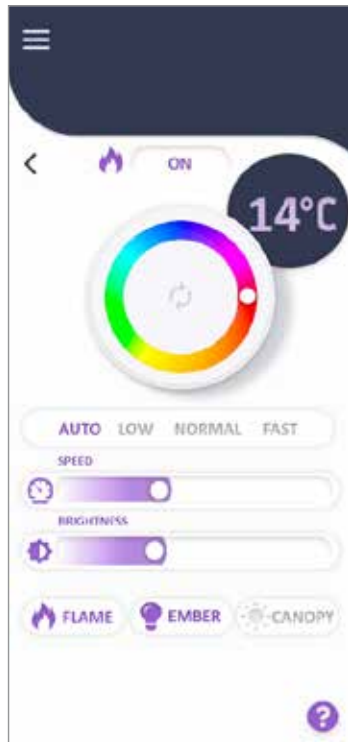
## SMART TECHNOLOGY, SMART CONTROL

With Amantii, the combination of functionality with applied smart technology creates the ultimate heating experience. Complete with WiFi connectivity, enhance the user experience with our Smart App that enables you to control your appliance from anywhere! Our app allows you to set tailored programs, schedule the exact date and time you wish to heat your room and select a desired temperature, design custom fire light effects, plus much more.

*\*It is important to note that the App's interface is subject to change*



HOME



FLAME SETTINGS, BRIGHTNESS,  
COLOR & SPEED



HEATER OPTIONS



CANOPY SETTINGS  
Display of how the setting is off

Tru-View-Bespoke US Dec 2022

Distributed By:

*Amantii*

Visit our online showrooms at:

[www.amantii.com](http://www.amantii.com)

We reserve the right to update products, specifications and dimensions are subject to change. Please refer to the product manual to verify measurements and clearance requirements. All local building codes must be followed.