



Tempest™ Deck Post

(sku 94800812)

Tempest Torch/Lantern 20k (Tempest Lantern 50k see next page)

Overview

This post is for use with the following permanent-mount Tempest models

- **Tempest Torch 24v**
(LP - 94900755 & NG - 94900745)
- **Tempest Torch Manual Start**
(LP - 94900753 & NG - 94900743)
- **Tempest Lantern 20k - 24v**
(LP - 94900757 & NG - 94900747)
- **Tempest Lantern 20k - Manual Start**
(LP - 94900756 & 94900746)
- **Tempest Lantern 50k - 24v**
(LP/NG – 94900748)

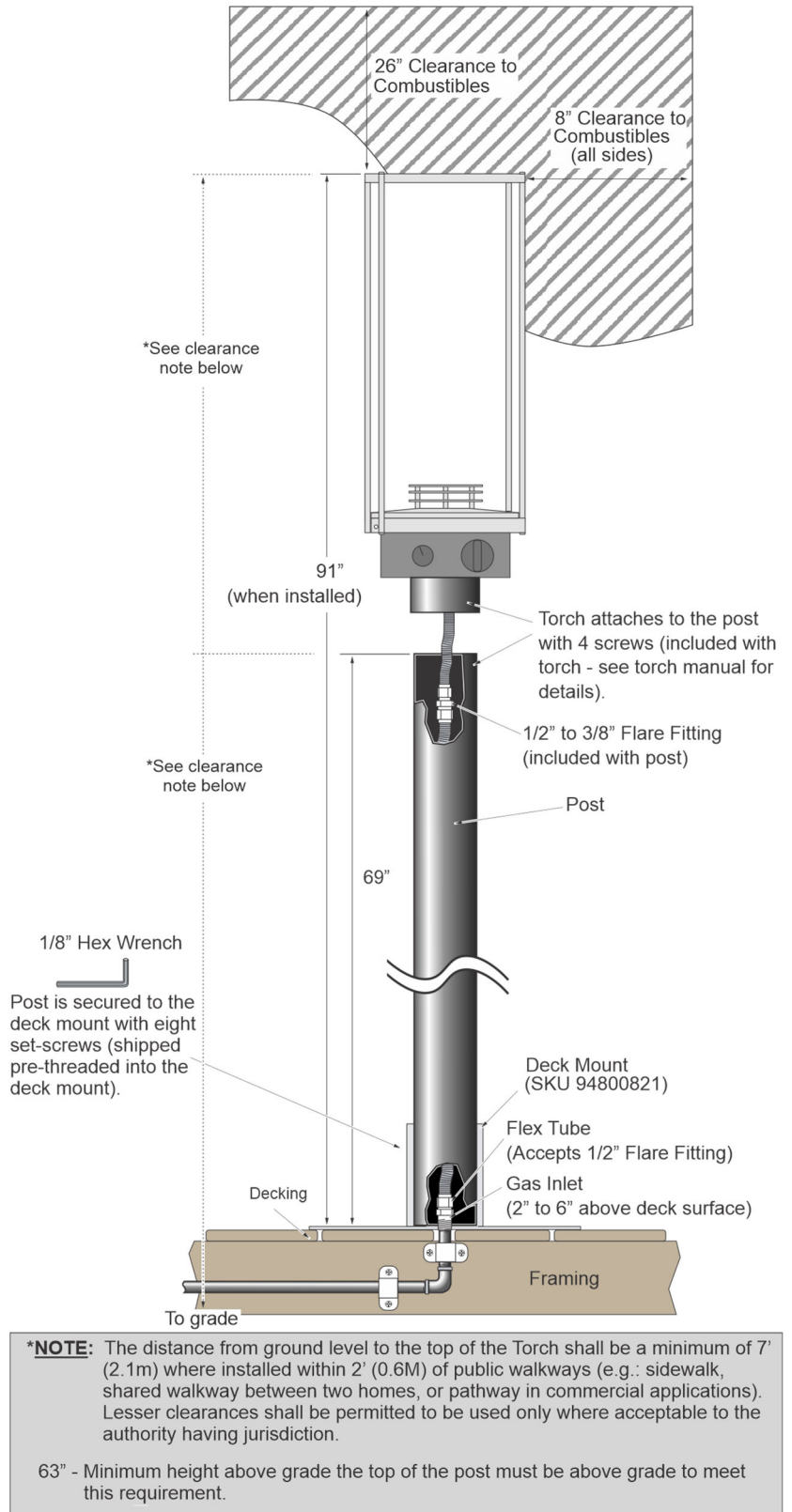
This post must be used with the Tempest Deck Mount (sku# **94800821**). We recommend the post be installed by a qualified installer.

Packing List

- Torch Post (69")
- Stainless Flex Line (75")
- Tube Fitting (1/2" to 3/8" Flare – to connect flex line to torch)

Post Attachment

NOTE: The illustration to the right is for example only. Make sure to follow all gas line and building code requirements for your location. Leak test all connections before use.





Tempest™ Deck Post

(sku 94800812)

Tempest Lantern - 50k

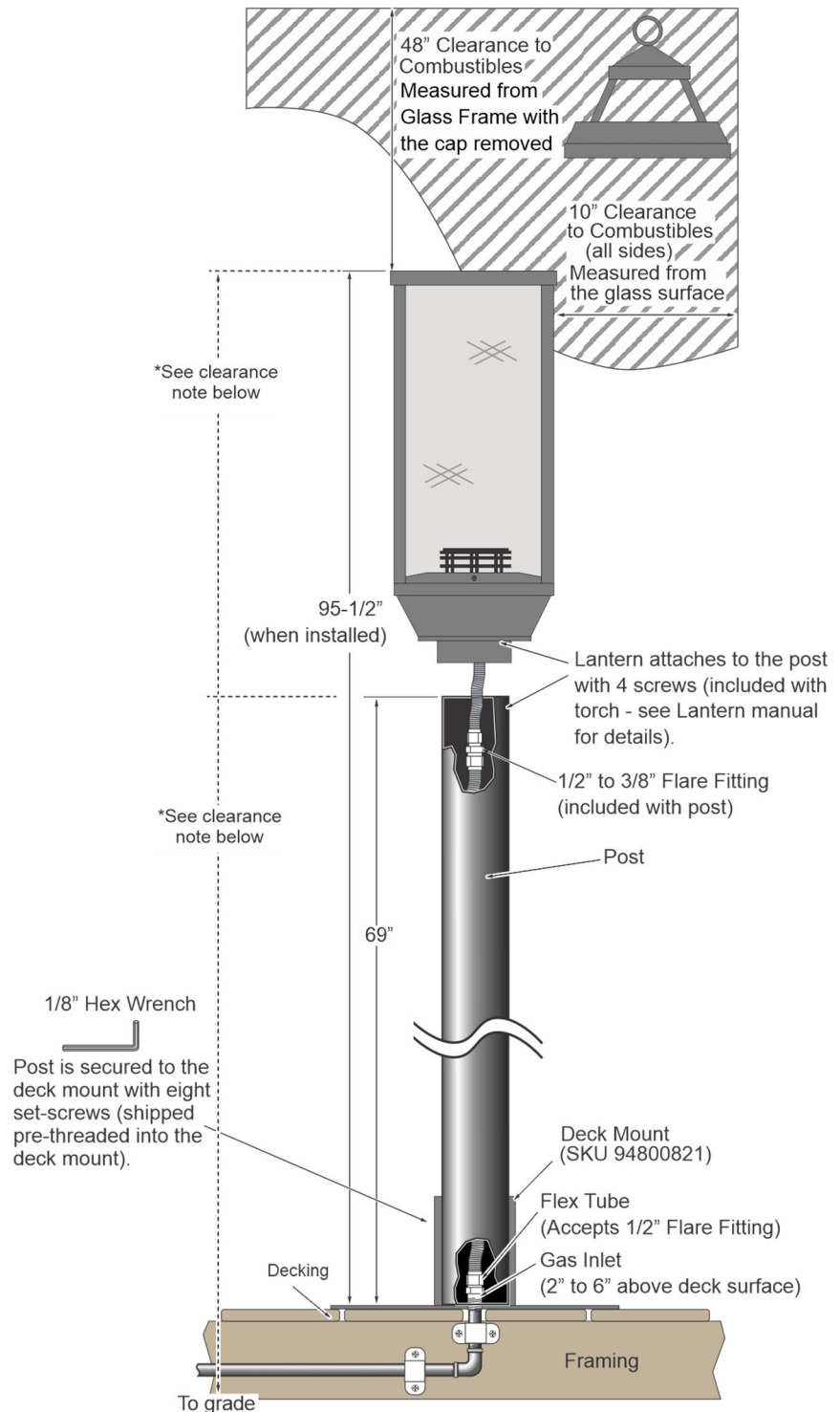
This post must be used with the Tempest Deck Mount (sku# 94800821). We recommend the post be installed by a qualified installer.

Packing List

- Torch Post (69")
- Stainless Flex Line (75")
- Tube Fitting (1/2" to 3/8" Flare – to connect flex line to torch)

Post Attachment

NOTE: The illustration to the right is for example only. Make sure to follow all gas line and building code requirements for your location. Leak test all connections before use.



***NOTE:** The distance from ground level to the top of the Lantern shall be a minimum of 7' (2.1m) where installed within 2' (0.6M) of public walkways (e.g.: sidewalk, shared walkway between two homes, or pathway in commercial applications). Lesser clearances shall be permitted to be used only where acceptable to the authority having jurisdiction.

58-1/2" - Minimum height above grade the top of the post must be above grade to meet this requirement.