



Tempest™ Deck Mount

(sku 94800821)

Overview

This post is for use with the following permanent-mount Tempest models

- Tempest Torch 24v (LP - 94900755 & NG - 94900745)
- Tempest Torch Manual Start (LP - 94900753 & NG - 9490043)
- Tempest Lantern 24v (LP - 94900757 & NG - 94900747)
- Tempest Lantern Manual Start (LP - 94900756 & 94900746)

Packing List

Deck Mount (with (8) set-screws pre-installed)

(4) 3/8" x 4" Lag Screws

(4) 3/8-16 x 4" Bolts

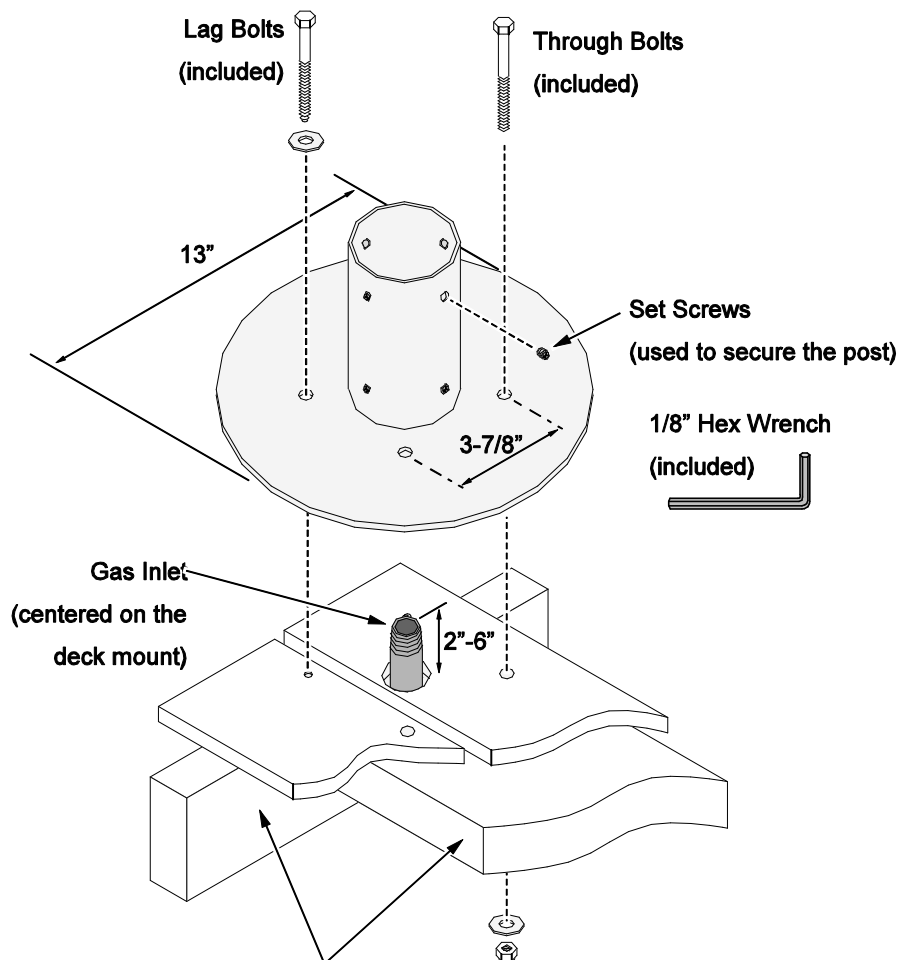
(4) 3/8-16 Lock-Nuts

(4) 3/8" Washers

(1) 1/8" Hex Wrench

Deck Mount Attachment

NOTE: The illustration below is for example only. Make sure to follow all gas line and building code requirements for your location. The base may be shimmed to level the mount.



The post mount **must be secured to deck framing in four locations** (or other secure footing - the deck surface is not adequate for proper support).