

TEMPEST™

GAS TORCHES AND LANTERNS



NEW 50K Tempest Lantern™

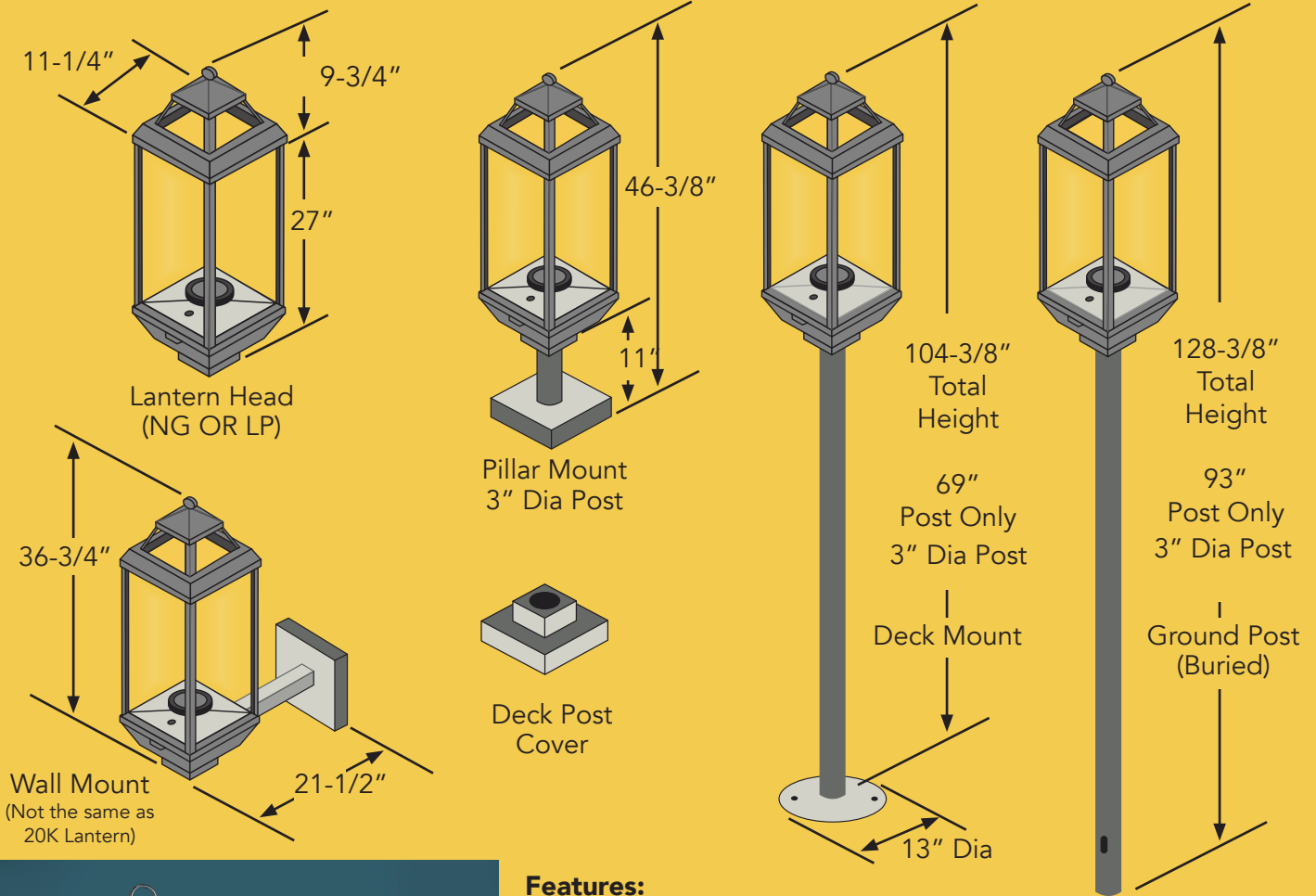


The 50K Tempest Lantern™ is a dramatic decorative outdoor gas lantern that break the barriers of standard gas torch design. Their patented design features an enchanting spiral flame dancing within tempered glass walls. This natural venturi effect of fire in motion is created without the use of electricity or a fan. Created as an outdoor lighting furnishing for a wide array of exterior settings and applications, the Tempest Lantern™ is designed to create the ultimate in lighting enhancement.

50K Tempest Lantern™

FOR OUTDOOR INSTALLATION ONLY!

Do not store or use gasoline or other flammable vapors and liquids in the vicinity of this or any other appliance.



50K Version

20K Version

Features:

- **40% Larger than the 20K Tempest Lantern™**
- The patented design creates a natural venturi effect of fire without the use of electricity or a fan.
- Features all-weather 24V AC Hot Shot™ electric ignition system.
- Available in Natural Gas (NG) or Propane (LP) models.
- Can be installed in four different ways: Wall Mount, Post Mount, Deck Mount or Pillar Mount.
- Install up to six lanterns on a single transformer and up to five transformers on one 120 volt 15 amp circuit. This can give you up to 30 lanterns or Fire Garden™ firepits on a single circuit!
- Has an automatic gas shutoff as an added safety feature.
- Durable stainless steel frame and burner.
- High temperature black powder coat finished frame and cap, with tempered glass.
- Maximum BTU Input: 50,000 (NG), 45,000 (LP) Lantern

Tested to applicable portions of ANSI Z21.97-2017/CSA 2.41-2017 "Outdoor Decorative Gas Appliance".



Manufactured by
Travis Industries, Inc.
Mukilteo, WA

T. I. reserves the right to improve our products at any time without prior notification. Photos and illustrations are for descriptive purposes only.
98800??? - 04/2022